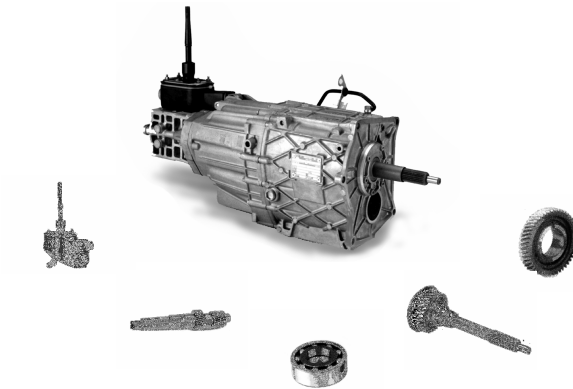




# ZF Six-speed S6-40 Transmission and



# Spare Parts Catalog





## TRANSMISSION LIMITED WARRANTY

### TERMS AND CONDITIONS

ZF manual transmissions are remanufactured at our modern 160,000 square foot facility just outside of Chicago. At this state-of-the-art facility, we use only ZF authorized parts to remanufacture the transmissions and include the latest remanufacture updates. All transmissions undergo the same stringent inspections as our original equipment products using only ZF factory authorized test equipment.

If a problem should occur with operation of your ZF transmission, we offer a **limited warranty**.

- 12 month/12,000 miles limited warranty
- Limited to parts replacement or repair if found to be defective in ZF material or workmanship
- Does not cover removal, reinstallation or any other incidental costs to repair the vehicle
- The limited warranty does not cover owner abuse, misinstallation of unit, incorrect, low, or no oil, and misapplication

# S6-40 6-Speed Transmission and Spare Parts Catalog

## Table of Content

### S6-40 Transmission

Engine Model L 98 / LT 1 / LT 4 ..... 2

Engine Model LT 5 (ZR1) ..... 3

### S6-40 Spare Parts

Gearbox Housing Group ..... 4

Input Shaft Group ..... 5

Countershaft Group ..... 6

Main Shaft Group ..... 7

Reverse Idler Group ..... 8

Gear Shift System Group ..... 9

Gear Shift Lever Group ..... 11

Kits ..... 13

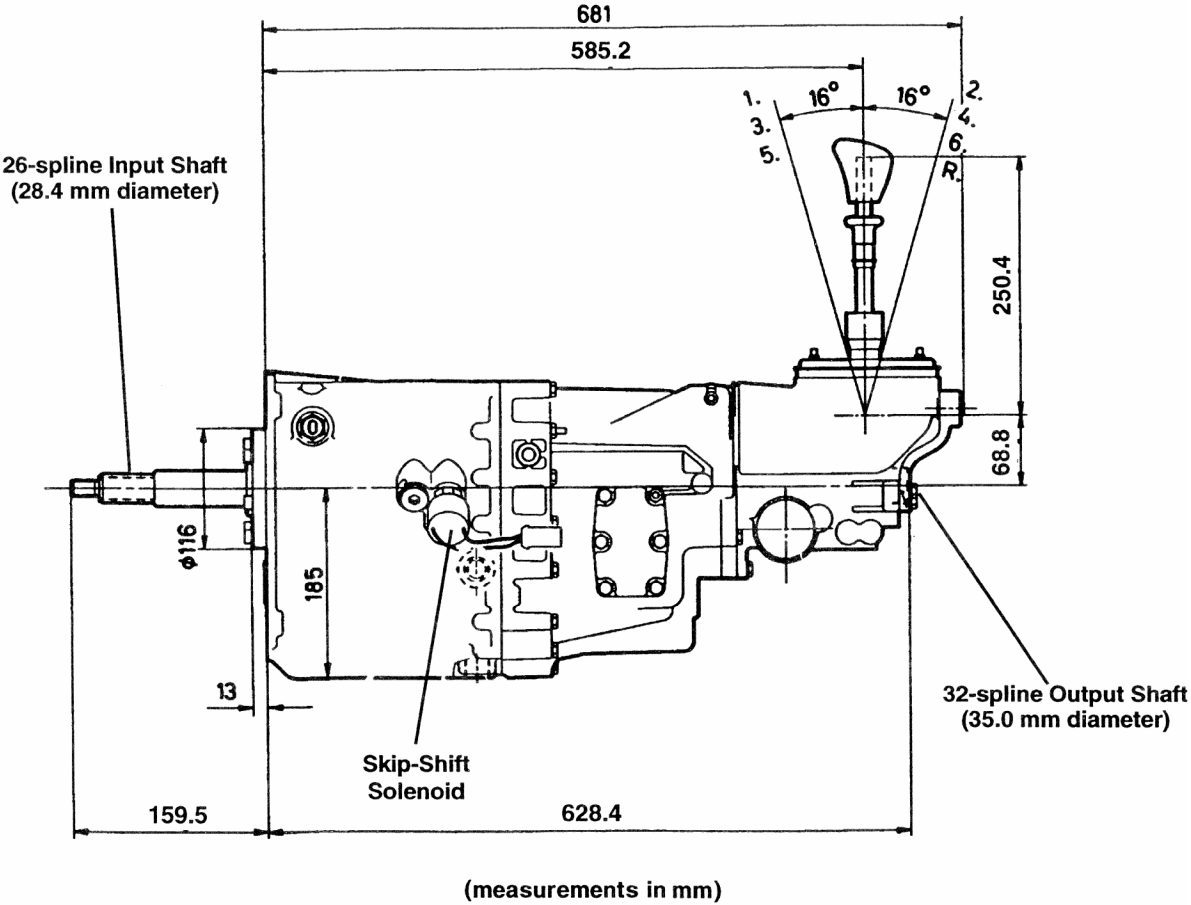
Cross Reference ZF Part # - GM Part # ..... 15

Notes ..... 16

# S6-40 6-Speed Transmission and Spare Parts Catalog

## S6-40 Transmission - Engine Model L 98 / LT 1 / LT 4

ZF Reman #	ZF Part #	Model Year	Engine	Shifter Style	Torque (Nm)
1052 000 032ZW	1052 000 032	1989	L 98	Lift Ring	610 Nm
1052 000 036ZW	1052 000 036	1990 – 1991	L 98	Lift Ring	610 Nm
1052 000 044ZW	1052 000 044	1992 – 1993	LT 1	Lift Ring	610 Nm
1052 000 046ZW	1052 000 046	1993	LT 1	Lift Ring	540 Nm
1052 000 084ZW	1052 000 084	1994	LT 1	Lift Ring	540 Nm
1052 000 089ZW	1052 000 089	1995 – 1996	LT 1/LT 4	Crash Thru	540 Nm



### Gear Ratios

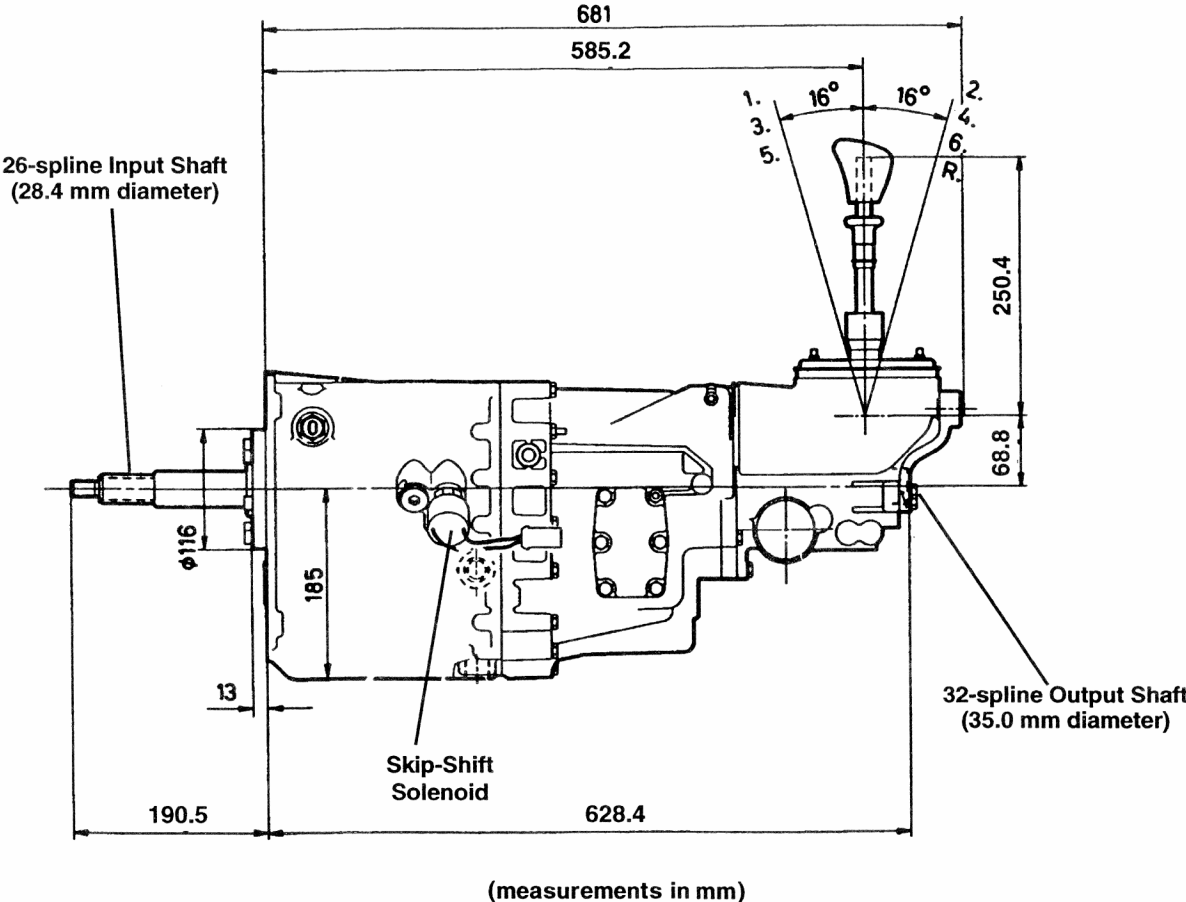
Input Torque (ft./lbs.)	1 <sup>st</sup> Gear	2 <sup>nd</sup> Gear	3 <sup>rd</sup> Gear	4 <sup>th</sup> Gear	5 <sup>th</sup> Gear	6 <sup>th</sup> Gear	Rev Gear	Mass (lbs.)	Oil Capacity (L)
400	2.68	1.80	1.29	1.00	0.75	0.50	2.50	160	2.2
450	2.68	1.80	1.29	1.00	0.75	0.50	2.50	160	2.2

All units must use ZF recommended GM Oil (GM Part # 1052931) or Castrol Formula RS 10W60.

# S6-40 6-Speed Transmission and Spare Parts Catalog

## S6-40 Transmission - Engine Model LT 5 (ZR1)

ZF Reman #	ZF Part #	Model Year	Engine	Shifter Style	Torque (Nm)
1052 000 031ZW	1052 000 031	1989 – 1990	LT 5	Lift Ring	610 Nm
1052 000 035ZW	1052 000 035	1991	LT 5	Lift Ring	610 Nm
1052 000 045ZW	1052 000 045	1992 – 1993	LT 5	Lift Ring	610 Nm
1052 000 047ZW	1052 000 047	1993	LT 5	Lift Ring	540 Nm
1052 000 081ZW	1052 000 081	1994	LT 5	Lift Ring	540 Nm
1052 000 087ZW	1052 000 087	1995 – 1996	LT 5	Crash Thru	540 Nm



### Gear Ratios

Input Torque (ft./lbs.)	1 <sup>st</sup> Gear	2 <sup>nd</sup> Gear	3 <sup>rd</sup> Gear	4 <sup>th</sup> Gear	5 <sup>th</sup> Gear	6 <sup>th</sup> Gear	Rev Gear	Mass (lbs.)	Oil Capacity (L)
400	2.68	1.80	1.29	1.00	0.75	0.50	2.50	160	2.2
450	2.68	1.80	1.29	1.00	0.75	0.50	2.50	160	2.2

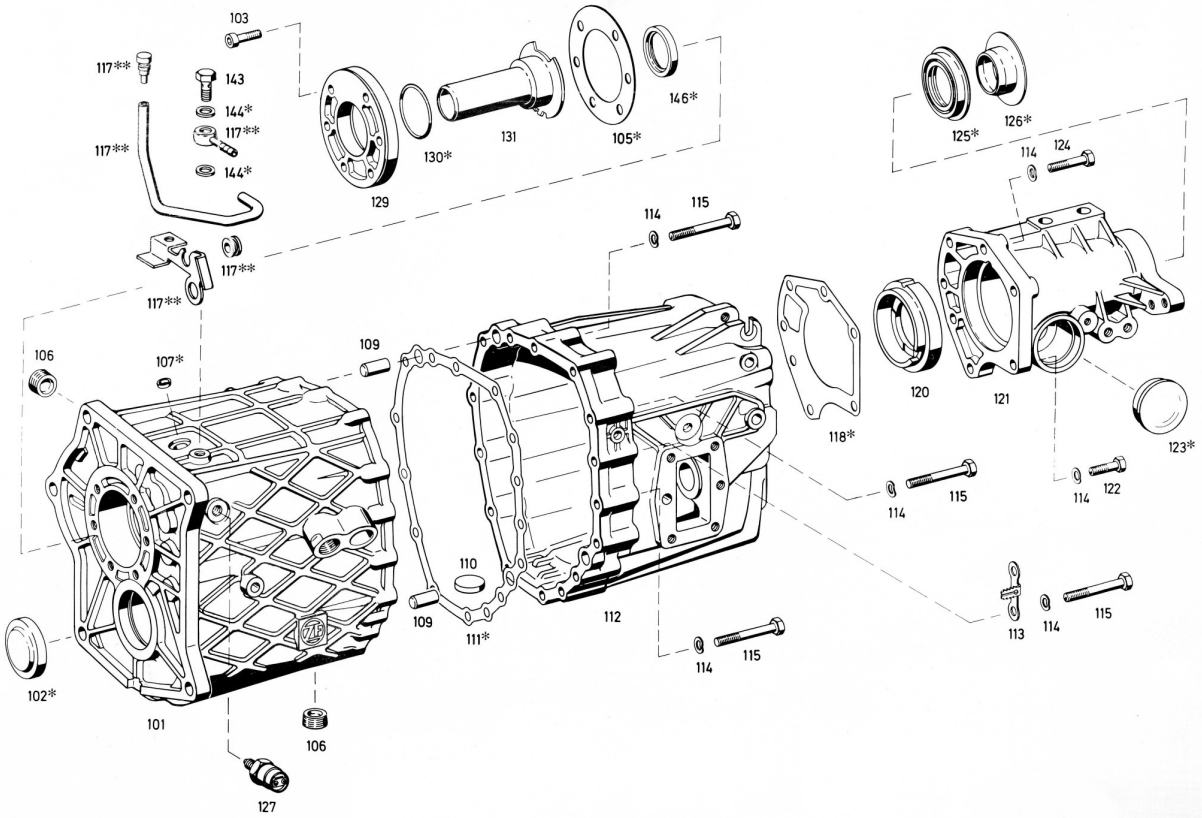
All units must use ZF recommended GM Oil (GM Part # 1052931) or Castrol Formula RS 10W60.

# S6-40 6-Speed Transmission and Spare Parts Catalog

## S6-40 Spare Parts - Gearbox Housing Group

Pos #	ZF Part #	Description	Unit Specification (1052 000 ____)
101	1052 301 133	Main Housing	All
103	0636 104 141	Cap Screw M8x30	All
106	1052 301 069	Screw Plug M24x1.5	All
109	0631 306 154	Cylindrical Pin M6x25	All
110	1048 301 010	Magnet	All
112	1052 301 079	Rear Housing	All
113	1052 301 108	Fixing Plate	All
114	0630 302 111	Spring Washer	All
115	0636 010 631	Hexagon Screw M8x65	All
117**	1052 201 038	Bleeder Set	All
120	1052 301 071	Support Ring	All
121	1052 201 036	Speedo Cover	All
122	0636 015 435	Hexagon Screw M8x30	All
124	0636 015 434	Hexagon Screw M8x40	All
127	0501 310 946	Reverse Light Switch	All
129	1052 301 070	Connection Plate	All
131	1052 301 114	Guide Tube	084/089
131	1052 301 115	Guide Tube	081/087
131	1052 301 130	Guide Tube	031/035/045/047
131	1052 301 132	Guide Tube	032/036/044/046
143	0637 835 802	Union Screw	All

\*\* Only available as complete set

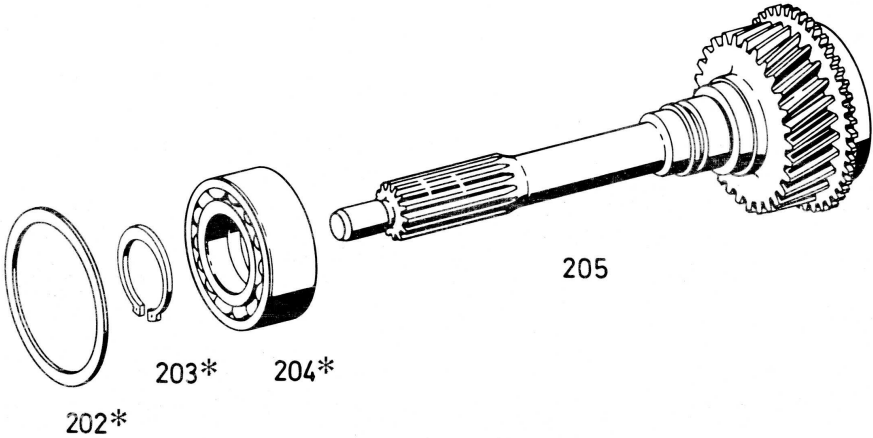


\* Only available in Kits

# S6-40 6-Speed Transmission and Spare Parts Catalog

## S6-40 Spare Parts – Input Shaft Group

Pos #	ZF Part #	Description	Unit Specification (1052 000 ____)
205	1052 202 015	Input Shaft	031/035/045/047/081/087
205	1052 202 016	Input Shaft	032/036/044/046/084/089

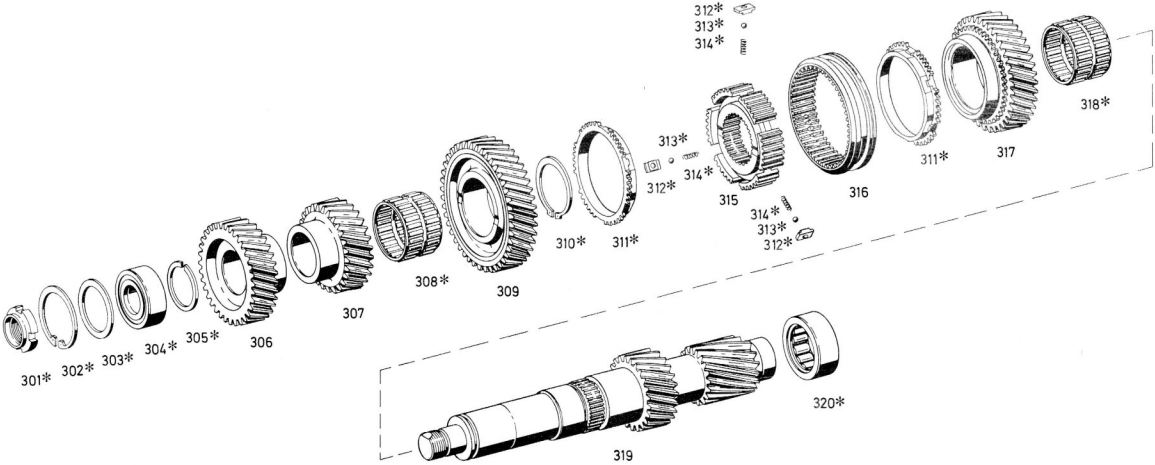


\* Only available in Kits

# S6-40 6-Speed Transmission and Spare Parts Catalog

## S6-40 Spare Parts – Countershaft Group

Pos #	ZF Part #	Description	Unit Specification (1052 000 ____)
306	1052 303 015	4th Counter Gear	All
307	1052 303 016	3rd Counter Gear (610Nm)	031/032/035/036/044/045
307	1052 303 066	3rd Counter Gear	046/047/081/084/087/089
309	1052 203 008	6th Speed Gear (610Nm)	031/032/035/036/044/045
309	1052 203 019	6th Speed Gear	046/047/081/084/087/089
315	1052 303 036	5/6 Synchronizer Body	All
316	1052 303 037	5/6 Sliding Sleeve	All
317	1052 203 007	5th Speed Gear (610Nm)	031/032/035/036/044/045
317	1052 203 018	5th Speed Gear	046/047/081/084/087/089
319	1052 303 022	1/2/Rev Countershaft (610Nm)	031/032/035/036/044/045
319	1052 303 056	1/2/Rev Countershaft	046/047/081/084/087/089



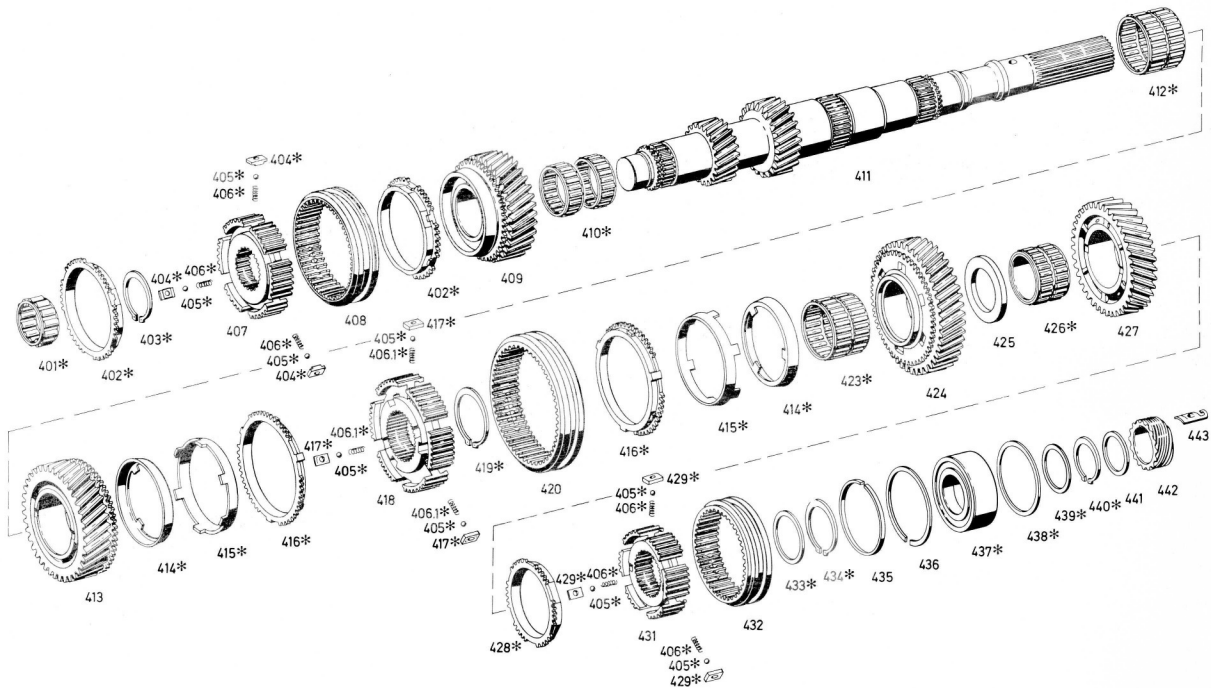
\* Only available in Kits



# S6-40 6-Speed Transmission and Spare Parts Catalog

## S6-40 Spare Parts – Main Shaft Group

Pos #	ZF Part #	Description	Unit Specification (1052 000 ____)
407	1052 304 120	3/4 Synchronizer Body	All
408	1052 304 153	3/4 Sliding Sleeve	All
409	1052 204 026	3rd Speed Gear (610Nm)	031/032/035/036/044/045
409	1052 204 043	3rd Speed Gear	046/047/081/084/087/089
411	1052 304 088	Main Shaft (610Nm)	031/032/035/036/044/045
411	1052 304 165	Main Shaft	046/047/081/084/087/089
413	1052 204 031	2nd Speed Gear (610Nm)	031/032/035/036/044/045
413	1052 204 044	2nd Speed Gear	046/047/081/084/087/089
418	1052 304 143	1/2 Synchronizer Body	All
420	1052 304 152	1/2 Sliding Sleeve	All
424	1052 204 040	1st Speed Gear	046/047/081/084/087/089
424	1052 204 045	1st Speed Gear (610Nm)	031/032/035/036/044/045
425	0730 107 016	Thrust Washer 46.03x73x6	All
427	1052 204 025	Gear, Main Shaft Reverse (610Nm)	031/032/035/036/044/045
427	1052 204 041	Gear, Main Shaft Reverse	046/047/081/084/087/089
431	1052 304 127	Rev Synchronizer Body	All
432	1052 304 151	Rev Sliding Sleeve	All
435	1052 304 130	Ring	All
436	1052 304 149	Snap Ring	All
441	0730 104 435	Washer 35.1x44.9x2.55	All
442	0501 310 389	Speedo Gear	All
443	0501 310 390	Tab Washer	All

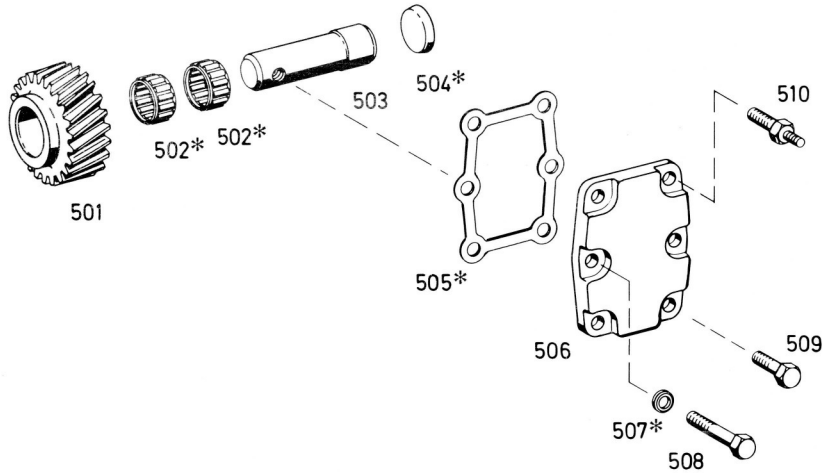


\* Only available in Kits

# S6-40 6-Speed Transmission and Spare Parts Catalog

## S6-40 Spare Parts – Reverse Idler Group

Pos #	ZF Part #	Description	Unit Specification (1052 000 ____)
501	1052 305 002	Reverse Idler Gear (610Nm)	031/032/035/036/044/045
501	1052 305 042	Reverse Idler Gear	046/047/081/084/087/089
503	1052 305 004	Reverse Idler Shaft	All
506	1052 305 037	Cover	All
508	0636 015 393	Hexagon Screw M8x50	All
509	0636 015 436	Hexagon Screw M8x25	All
510	1052 305 039	Stud Screw	All

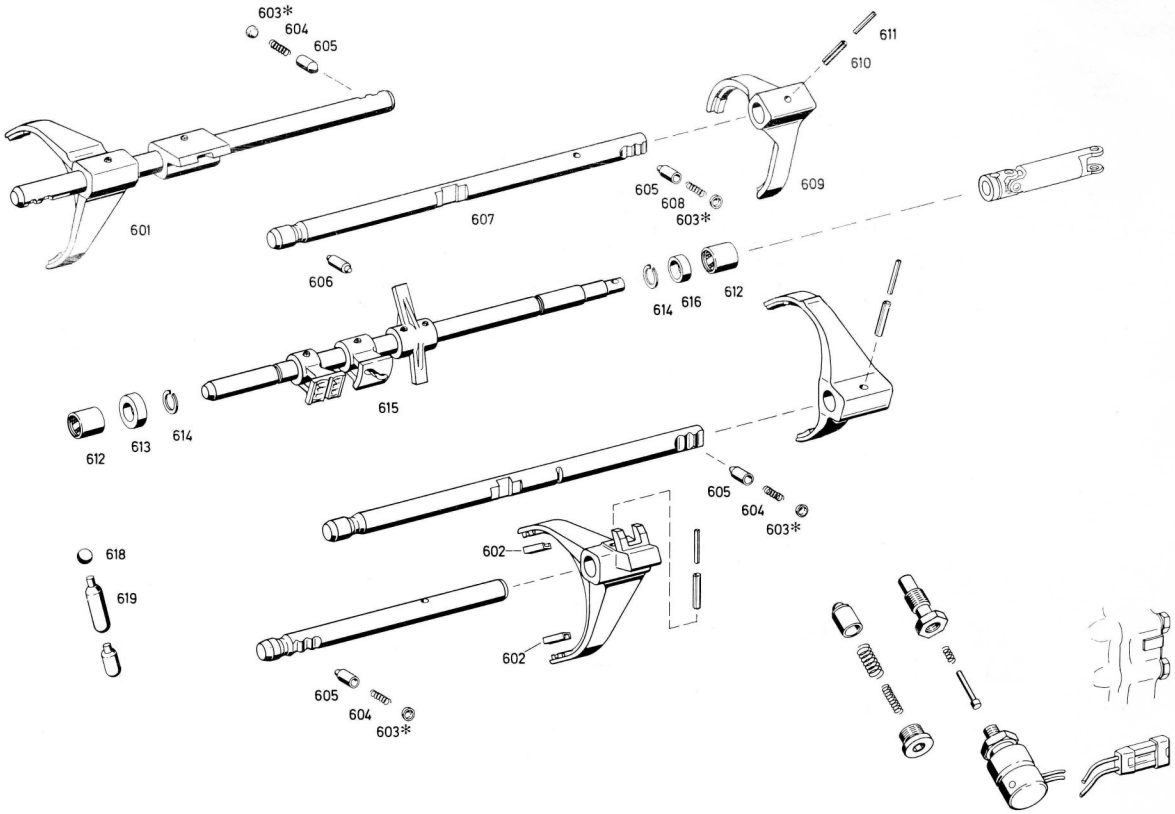


\* Only available in Kits

# S6-40 6-Speed Transmission and Spare Parts Catalog

## S6-40 Spare Parts – Gear Shift System Group

Pos #	ZF Part #	Description	Unit Specification (1052 000 ____)
601	1052 206 044	3/4 Gear Shift Rail	All
602	1052 306 125	Sliding Shoe	All
604	0732 041 452	Compression Spring	All
605	1053 306 133	Detent Pin	All
606	1052 306 137	Pressure Pin	All
607	1052 306 124	Rev Gear Shift Rail	All
608	0770 060 783	Compression Spring	All
609	1052 306 173	Rev Gear Shift Fork	All
610	0631 329 070	Slot Pin 6x32	All
611	0631 329 152	Slot Pin 3.5x32	All
612	0750 115 238	Ball Sleeve 18x24x24	All
613	1052 306 103	Stop	All
614	0630 531 203	V-Ring	All
615	1052 206 028	Gear Shift Shaft	031/032/035/036/044/045/046/047/081/084
615	1052 206 045	Gear Shift Shaft	087/089
616	1052 306 104	Stop	All
618	0635 460 115	Ball 14mm	All
619	1052 306 127	Locking Pin	All

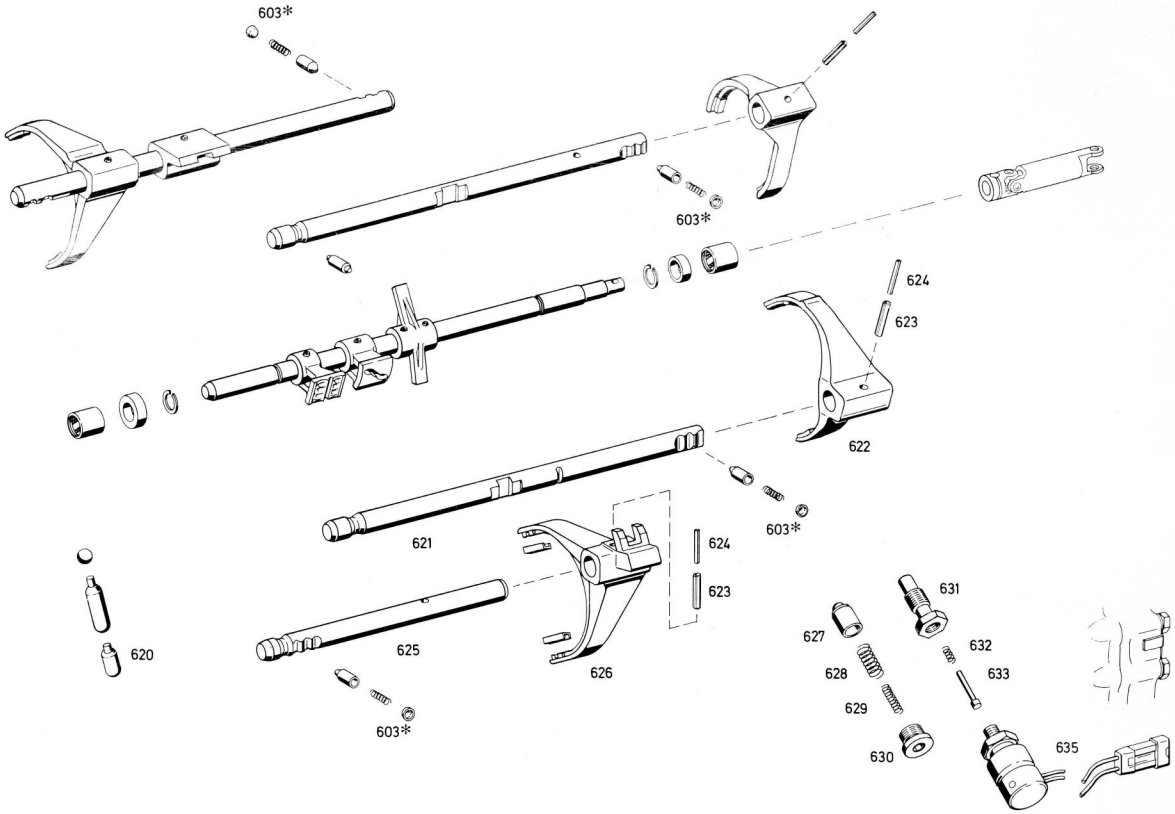


\* Only available in Kits

# S6-40 6-Speed Transmission and Spare Parts Catalog

## S6-40 Spare Parts – Gear Shift System Group (Continued)

Pos #	ZF Part #	Description	Unit Specification (1052 000 ____)
620	1052 306 128	Locking Pin	All
621	1052 306 121	1/2 Gear Shift Rail	All
622	1052 306 151	1/2 Gear Shift Fork	All
623	0631 329 071	Slot Pin 6x36	All
624	0631 329 029	Slot Pin 3.5x36	All
625	1052 306 123	5/6 Gear Shift Rail	All
626	1052 206 024	5/6 Gear Shift Fork	All
627	1052 306 204	Ball Roller	All
628	0770 060 840	Compression Spring	035/036/044/045/046/047/081/084/087/089
629	0770 060 791	Compression Spring	All
630	1052 306 120	Screw Plug M22x1.5	All
631	1052 306 111	Bushing	031/032
631	1052 306 142	Bushing	035/036/044/045/046/047/081/084/087/089
632	0732 042 152	Compression Spring	All
633	1052 306 112	Pin	031/032
633	1052 306 141	Pin	035/036/044/045/046/047/081/084/087/089
635	1052 206 022	Magnet Shift Solenoid	031/032
635	1052 206 029	Magnet Shift Solenoid	035/036/044/045/046/047/081/084/087/089

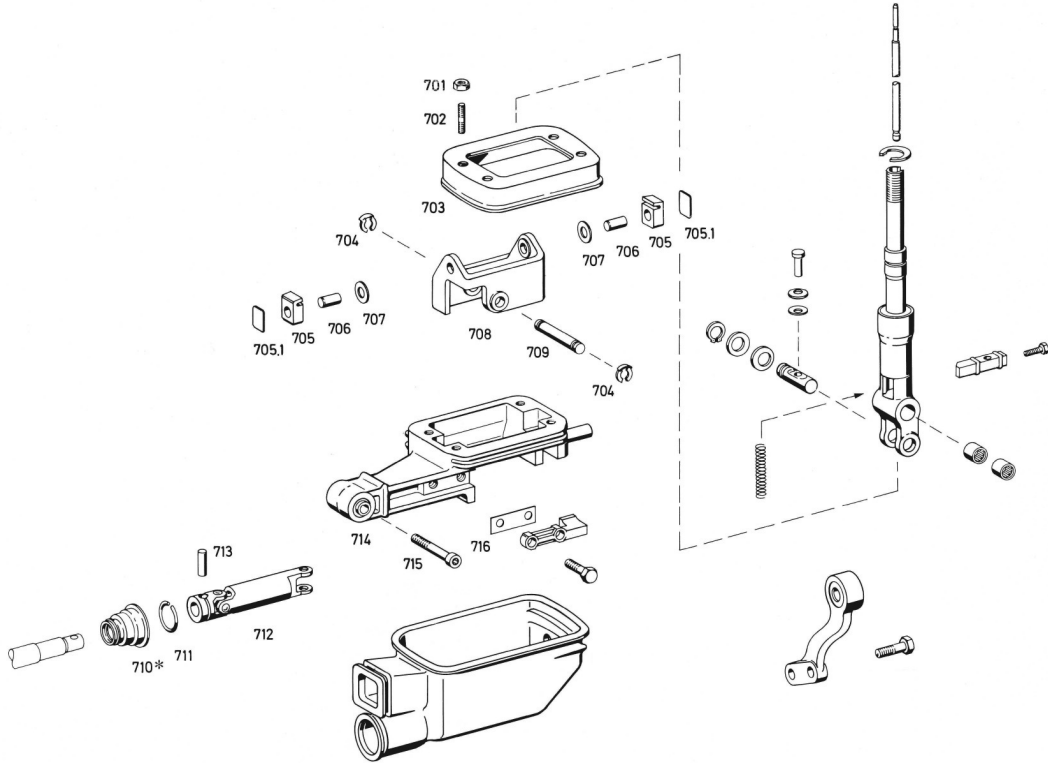


\* Only available in Kits

# S6-40 6-Speed Transmission and Spare Parts Catalog

## S6-40 Spare Parts – Gear Shift Lever Group

Pos #	ZF Part #	Description	Unit Specification (1052 000 ____)
701	0637 006 122	Hexagon Nut M6	All
702	1052 307 158	Stud	All
703	1052 307 104	Cover	All
704	0630 525 004	Clamping Fixture	All
705	1052 307 137	Guide Piece	All
705.1	1052 307 133	Spacer Sheet 0.25	All
705.1	1052 307 134	Spacer Sheet 0.35	All
705.1	1052 307 135	Spacer Sheet 0.45	All
705.1	1052 307 136	Spacer Sheet 0.55	All
706	1052 307 130	Flange Bolt	All
707	0630 004 092	Shim Ring 12x18x0.2	All
708	1052 207 045	Cardan Joint	087/089
708	1052 307 100	Cardan Joint	031/032/035/036/044/045/046/047/081/084
709	1052 307 126	Axle	All
711	0630 505 527	Snap Ring	All
712	1052 207 038	Gear Shaft Rod	All
713	1052 307 113	Pin	All
714	1052 207 022	Remote Control Arm	All
715	1052 307 129	Screw	All
716	0770 048 009	Spacer Sheet 14x48x1.0	031/032/035/036/044/045/046/047/081/084
716	0770 048 010	Spacer Sheet 14x48x1.2	031/032/035/036/044/045/046/047/081/084
716	0770 048 011	Spacer Sheet 14x48x1.5	031/032/035/036/044/045/046/047/081/084
716	0770 048 012	Spacer Sheet 14x48x1.8	031/032/035/036/044/045/046/047/081/084
716	0770 048 013	Spacer Sheet 14x48x2.0	031/032/035/036/044/045/046/047/081/084

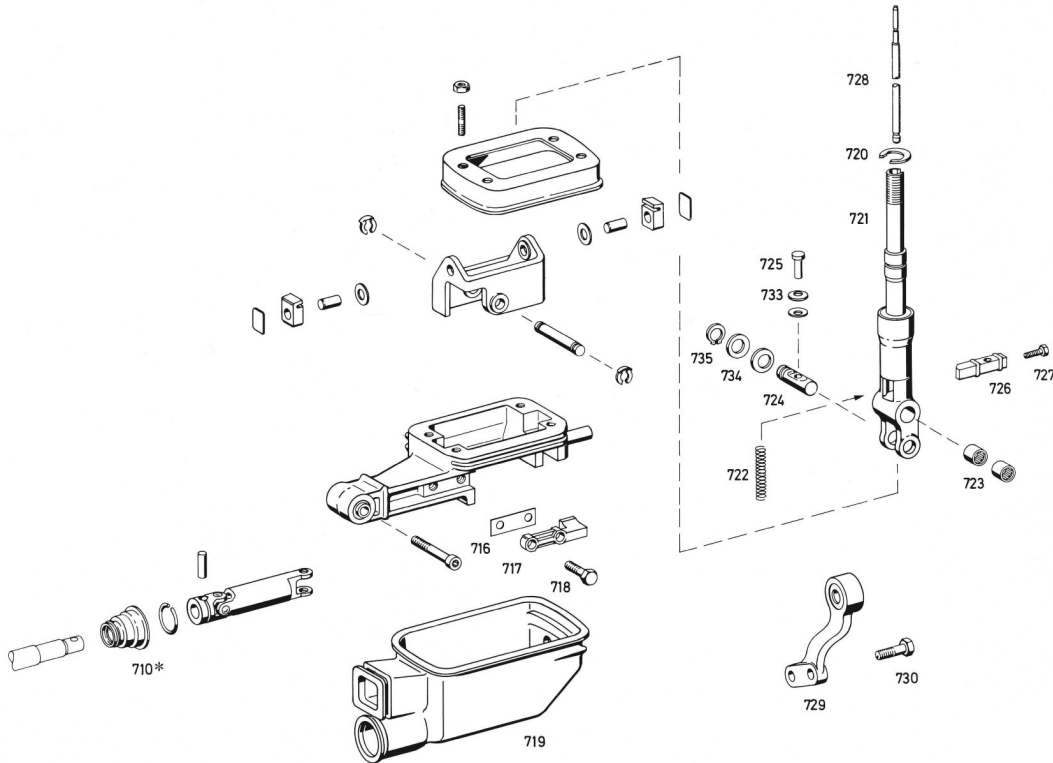


\* Only available in Kits

# S6-40 6-Speed Transmission and Spare Parts Catalog

## S6-40 Spare Parts – Gear Shift Lever Group (Continued)

Pos #	ZF Part #	Description	Unit Specification (1052 000 ____)
716	0770 048 014	Spacer Sheet 14x48x1.1	031/032/035/036/044/045/046/047/081/084
716	0770 048 015	Spacer Sheet 14x48x1.3	031/032/035/036/044/045/046/047/081/084
716	0770 048 016	Spacer Sheet 14x48x1.4	031/032/035/036/044/045/046/047/081/084
716	0770 048 017	Spacer Sheet 14x48x1.6	031/032/035/036/044/045/046/047/081/084
716	0770 048 018	Spacer Sheet 14x48x1.7	031/032/035/036/044/045/046/047/081/084
716	0770 048 019	Spacer Sheet 14x48x1.9	031/032/035/036/044/045/046/047/081/084
717	1052 307 127	Stop	031/032/035/036/044/045/046/047/081/084
718	0636 015 436	Hexagon Screw M8x25	031/032/035/036/044/045/046/047/081/084
719	1052 307 096	Bellows	All
720	0630 531 024	Crescent Ring 0.50	All
721	1052 207 014	Gear Shift Lever	031/032/035/036/044/045/046/047/081/084
721	1052 207 054	Gear Shift Lever	087/089
722	0770 060 800	Compression Spring	031/032/035/036/044/045/046/047/081/084
723	0750 115 187	Needle Sleeve 10x14x10	All
724	1052 307 120	Pin	All
725	1052 307 165	Flange Bolt	All
726	1052 207 056	Stop Bolt	031/032/035/036/044/045/046/047/081/084
727	0636 015 451	Hexagon Screw M4x18	031/032/035/036/044/045/046/047/081/084
728	1052 307 079	Draw Bar	031/032/035/036/044/045/046/047/081/084
729	1052 207 018	Bracket	All
730	0636 015 321	Hexagon Screw M8x30	All
733	0632 000 053	Cup Spring 12.5	All
734	0770 067 023	Cup Spring 15.1x23.7x0.9	All
735	0630 501 324	Retaining Ring 15x1.5	All



→ Only available in Kits

# S6-40 6-Speed Transmission and Spare Parts Catalog

## S6-40 Spare Parts – Kits

### 1052BRGK

Pos #	ZF Part #	Description	Qty
204	0735 368 025	Roller Bearing 38x80x27	1
304	0735 410 345	Roller Bearing 30x62x20	1
320	0735 450 063	Roller Sleeve 38x63x22	1
401	0735 358 248	Roller Cage 34x54x23	1
437	0735 368 025	Roller Bearing 38x80x27	1

### 1052NK

Pos #	ZF Part #	Description	Qty
308	0735 321 081	Needle Cage 53x59x34.5	1
318	0735 320 997	Needle Cage 57x63x41	1
410	0770 029 096	Needle Cage 43x48x39.5	2
412	0735 320 997	Needle Cage 57x63x41	1
423	0735 321 080	Needle Cage 53x59x35	1
426	0735 455 206	Needle Bearing 46x59x35	1
502	0735 320 934	Needle Cage 25x31x17	2

### 1052PPK

Pos #	ZF Part #	Description	Qty
312	1052 304 121	3/4/5/6 Pressure Piece	3
313	0635 460 010	Ball 6mm	3
314	0770 060 816	Compression Spring	3
404	1052 304 121	3/4/5/6 Pressure Piece	3
405	0635 460 010	Ball 6mm	9
406	0770 060 816	Compression Spring	6
406.1	0770 060 815	Compression Spring	3
417	1052 304 117	1/2 Pressure Piece	3
429	1052 304 128	Rev Pressure Piece	3

### 1052RBK

Pos #	ZF Part #	Description	Qty
102	0501 311 160	Cover	1
105	1052 301 098	Gasket	1
107	0630 361 092	Sealing Cap M18	1
107	0630 361 098	Sealing Cap M14	1
111	1052 301 059	Gasket	1
118	1052 301 109	Gasket	1
144	0730 150 764	Seal Ring 1.20	2
123	1052 301 019	Protecting Cap	1
125	0501 310 504	Shaft Seal	1
126	1052 301 068	Protecting Cap	1
130	0634 304 576	O-Ring 53x2	1
146	0734 310 378	Shaft Seal 35x50x7	1
301	0770 021 009	Slotted Nut M30x1.5	1
504	0630 361 090	Sealing Cap	1
505	1052 305 040	Gasket	1
507	0630 050 016	Usit Ring 8.7x13x1	1
603	0630 361 077	Sealing Cap	4
710	0501 311 205	Shaft Seal 18x28x25	1

### 1052SK

Pos #	ZF Part #	Description	Qty
311	1052 304 119	Synchronizer Ring 3/4/5/6	2
402	1052 304 119	Synchronizer Ring 3/4/5/6	2
414	1052 304 146	Internal Ring 1/2	2
415	1052 304 114	Intermediate Ring 1/2	2
416	1052 304 142	Synchronizer Ring 1/2	2
428	1052 304 133	Synchronizer Ring Rev	1

### 1052SMK

Pos #	ZF Part #	Description	Qty
202	0730 001 795	Shim 70.2x79.8x2.4	1
202	0730 001 796	Shim 70.2x79.8x2.3	1
202	0730 001 797	Shim 70.2x79.8x2.2	1
202	0730 001 798	Shim 70.2x79.8x2.1	1
202	0730 001 799	Shim 70.2x79.8x2.0	1
202	0730 003 414	Shim 70.2x79.8x2.05	1
202	0730 003 415	Shim 70.2x79.8x2.15	1
202	0730 003 416	Shim 70.2x79.8x2.25	1
202	0730 003 417	Shim 70.2x79.8x2.35	1
202	0730 004 785	Shim 70.2x79.8x1.9	1
202	0730 004 786	Shim 70.2x79.8x1.95	1
202	0730 004 787	Shim 70.2x79.8x2.45	1
202	0730 004 788	Shim 70.2x79.8x2.5	1
202	0730 005 332	Shim 70.2x79.8x1.8	1
202	0730 005 333	Shim 70.2x79.8x1.85	1
202	0730 005 416	Shim 70.2x79.8x1.7	1
202	0730 005 417	Shim 70.2x79.8x1.75	1
303	0730 002 385	Washer 51x61.8x2.2	1
303	0730 002 386	Washer 51x61.8x2.1	1
303	0730 002 387	Washer 51x61.8x2.0	1
303	0730 002 388	Washer 51x61.8x1.9	1
303	0730 002 808	Washer 51x61.8x1.95	1
303	0730 002 809	Washer 51x61.8x2.05	1
303	0730 002 810	Washer 51x61.8x2.15	1
433	0730 005 426	Washer 45.6x62x2.5	1
433	0730 005 427	Washer 45.6x62x2.55	1
433	0730 005 428	Washer 45.6x62x2.6	1
433	0730 005 429	Washer 45.6x62x2.65	1
433	0730 005 430	Washer 45.6x62x2.7	1
433	0730 005 431	Washer 45.6x62x2.75	1
438	0730 001 795	Shim 70.2x79.8x2.4	1
438	0730 001 796	Shim 70.2x79.8x2.3	1
438	0730 001 797	Shim 70.2x79.8x2.2	1
438	0730 001 798	Shim 70.2x79.8x2.1	1
438	0730 001 799	Shim 70.2x79.8x2.0	1
438	0730 003 414	Shim 70.2x79.8x2.05	1
438	0730 003 415	Shim 70.2x79.8x2.15	1
438	0730 003 416	Shim 70.2x79.8x2.25	1
438	0730 003 417	Shim 70.2x79.8x2.35	1
438	0730 004 785	Shim 70.2x79.8x1.9	1
438	0730 004 786	Shim 70.2x79.8x1.95	1
438	0730 004 787	Shim 70.2x79.8x2.45	1
438	0730 004 788	Shim 70.2x79.8x2.5	1
438	0730 005 332	Shim 70.2x79.8x1.8	1
438	0730 005 333	Shim 70.2x79.8x1.85	1
438	0730 005 416	Shim 70.2x79.8x1.7	1
438	0730 005 417	Shim 70.2x79.8x1.75	1
439	0770 034 849	Washer 38.05x50x2.5	1
439	0770 034 850	Washer 38.05x50x2.55	1
439	0770 034 851	Washer 38.05x50x2.6	1
439	0770 034 852	Washer 38.05x50x2.65	1
439	0770 034 853	Washer 38.05x50x2.7	1
439	0770 034 854	Washer 38.05x50x2.75	1
439	0770 034 855	Washer 38.05x50x2.8	1

Above listed parts are not sold individually

# S6-40 6-Speed Transmission and Spare Parts Catalog

## S6-40 Spare Parts – Kits (Continued)

### 1052SRK

Pos #	ZF Part #	Description	Qty
203	0630 501 178	Retaining Ring 38x2.3	1
203	0630 501 302	Retaining Ring 38x2.4	1
203	0630 531 047	Retaining Ring 38x2.5	1
302	0630 532 054	Retaining Ring 62x3	1
305	0630 531 134	Retaining Ring 44x1.75	1
310	0770 069 639	Retaining Ring 53x2.8	1
310	0770 069 640	Retaining Ring 53x2.9	1
310	0770 069 641	Retaining Ring 53x3.0	1
403	0630 501 120	Retaining Ring 42x2.4	1
403	0630 501 156	Retaining Ring 42x2.3	1
403	0630 531 052	Retaining Ring 42x2.5	1
419	0770 069 639	Retaining Ring 53x2.8	1
419	0770 069 640	Retaining Ring 53x2.9	1
419	0770 069 641	Retaining Ring 53x3.0	1
434	0630 531 057	Retaining Ring 45x2.5	1
440	0630 531 047	Retaining Ring 38x2.5	1

Above listed parts are not sold individually



# S6-40 6-Speed Transmission and Spare Parts Catalog

## Cross Reference ZF Part # - GM Part #

ZF Part #	GM Part #
0501 310 389	12507670
0501 310 390	12507671
0501 310 504	10140538
0501 310 946	10159402
0501 311 160	10140535
0630 050 016	10140537
0630 302 111	12507667
0630 361 077	10140674
0630 361 090	12507666
0634 304 576	10140532
0636 010 632	10140571
0636 015 321	10159403
0636 015 434	12507669
0636 015 435	12507668
0636 015 436	10140561
0636 104 141	10140542
0730 001 795	10181356
0730 001 796	10181354
0730 001 797	10181352
0730 001 798	10181350
0730 001 799	10181348
0730 003 414	10181349
0730 003 415	10181351
0730 003 416	10181353
0730 003 417	10181355
0730 004 785	10181346
0730 004 786	10181347
0730 004 787	10181357
0730 004 788	10181358
0730 005 332	10181344
0730 005 333	10181345
0730 005 416	10181342

ZF Part #	GM Part #
0730 005 417	10181343
0734 310 378	10140533
1052 201 036	12456331
1052 201 038	10140671
1052 206 022	10159404
1052 206 029	10140541
1052 207 018	10140675
1052 301 069	10140673
1052 301 070	10140670
1052 301 071	12507675
1052 301 098	10147905
1052 301 109	12508276
1052 301 130	12511386
1052 301 132	12511387
1052 305 037	10147906
1052 305 039	10147909
1052 305 040	10147907
1052 306 204	12528778
1052 307 129	12534208
1052 000 031ZW	12352884
1052 000 032ZW	12351965
1052 000 035ZW	12352884
1052 000 036ZW	12351965
1052 000 044ZW	12351965
1052 000 045ZW	12352884
1052 000 046ZW	12351965
1052 000 047ZW	12352884
1052 000 081ZW	12455186
1052 000 084ZW	12455187
1052 000 087ZW	12455188
1052 000 089ZW	12455189

# S6-40 6-Speed Transmission and Spare Parts Catalog

## Notes



Distributed By:



**ZF INDUSTRIES, INC.**  
**Passenger Car Transmissions**  
Vernon Hills, IL  
Phone: 800.660.2269  
[www.zf-group.com](http://www.zf-group.com)