



# Spare Parts Catalog

5 HP 24

Material number: 1058.000.016

Current date: 20.11.1997

ZF Friedrichshafen AG  
Hauptverwaltung  
80038 Friedrichshafen  
Deutschland

Telefon: +49 7541 77-0

Telefax: +49 7541 77-908000

[www.zf.com](http://www.zf.com)

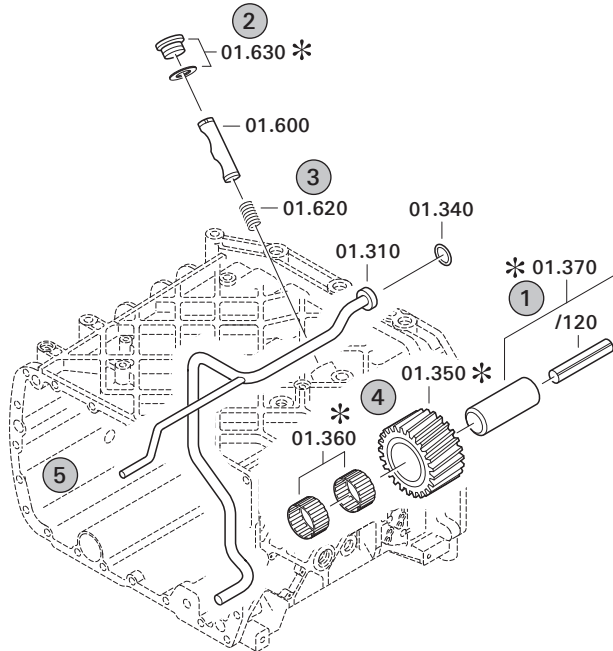
zuständiges Werk:  
Saarbrücken

# Notes relating to the spare parts catalog

## Setup of the spare parts catalog

- Cover sheet
- Technical Cover (only in SDM print)
- Overview of figures
- Figure
- Associated parts list
- Next figure
- Associated parts list
- ...

## Figure and parts list



## Overview of figures

Bildtafel Figure	Sachnummer Product number	Benennung (Description)	Technische Info Technical info	Description (Benennung)	Menge Quantity	Einheit Unit
068.08.17	1316.170.001	AUSLEGER	WL	SHIFT TURRET	1	Stk
068.08.06	1316.170.031	DECKEL	WL*H-H *VM	COVER	1	Stk
068.08.14	1316.170.808	DECKEL	WL*AUSL+GEH*H-H*HF160N	COVER	1	Stk
08	1316.170.441	ANSCHLUSSTEILE	WL*NG-VORB*RG-SCHL*168N *BAJONETT	CONNECTING PARTS	1	Stk

The "gap" indicates that there is no separate graphics panel (poster) for this assembly  
The parts of this assembly are shown with the same mid-section number on the figure

### 1 Positions and subpositions

Pos.	Sachnummer Product number	Benennung (Description)	Technische Info Technical info	Description (Benennung)	Menge Quantity	Einheit Unit
0370	1315.201.054	RUECKLAUFBOLZEN	KPL.16S151*SG*L= 79	REV.IDLER SHAFT	1	Stk
/0120	0631.329.293	SPANNSTIFT		SLOT. PIN	1	Stk

Positions marked with "/" are the individual items of a completion  
For example: Position 0370 contains a centering pin with the position /0120

### 2 Combinations with standardized parts

Pos.	Sachnummer Product number	Benennung (Description)	Technische Info Technical info	Description (Benennung)	Menge Quantity	Einheit Unit
0630		VERSCHL.SCHR.		SCREW PLUG	1	Stk
	0636.302.067	VERSCHL.SCHR.		SCREW PLUG	1	Stk
	0634.801.249	DICHTRING	A 26 X 31	SEALING RING	1	Stk

The parts list shows the components included in the combination of standardized parts

### 3 Depiction of position/item number on the figure and in the parts list

01.620 - on the figure      01 relates to the assembly in which the position is included. Due to program-related reasons, it is shown on the figure.

0620 - in the parts list

Pos.	Sachnummer Product number	Benennung (Description)	Technische Info Technical info	Description (Benennung)	Menge Quantity	Einheit Unit
0620	0732.040.736	DRUCKFEDER		COMPRESSION SPRING	1	Stk

### 4 \*-Positions

Positions marked with an \* are optional i.e. inclusion in the parts list is not mandatory.  
The following note is shown on the figure

je nach Stücklistenausführung  
depending on spec. number  
\*  
suivant la nomenclature  
secondo la distinta base

### 5 Parts, dotted display

Parts with dotted display on the figure are only used for orientation of other parts

# Technical Cover

Page 1 from 2

Material number: 1058.000.016



5 HP 24 /

Pos.	Information	Amendment number
001	Use case -----	
002	Customer Bayerische Motoren Werke (BMW)	
003	City Muenchen	
004	DUNS 31-536-9934	
005	Classification use case -----	
006	CODE, CUSTOMER TB	
008	Use case -----	
009	Customer ALPINA Burkard Bovensiepen	
010	City Buchloe	
011	DUNS 31-686-0915	
012	Classification use case -----	
013	CODE, CUSTOMER TB	
015	Product description -----	
016	INSTALLATION POS TRANSMISSION LENGTHWISE	
017	RATIO, BOTTOM GEAR 3.57	
018	RATIO, TOP GEAR .8	
019	RATIO, 1ST GEAR 3.57	
020	RATIO, 2ND GEAR 2.2	
021	RATIO, 3RD GEAR 1.51	
022	RATIO, 4TH GEAR 1	
023	RATIO, 5TH GEAR .8	
024	RATIO, 1ST GEAR REVERSE 4.06	
026	DIAMETER ROOT OUTPUT FLANGE REAR AXLE 105 mm	
027	NO.OF BORES OUTPUT FLANGE HA1 3	
028	BORE DIA. OUTPUT FLANGE RA 14 mm	
029	KIND OF FIT BORE OUTPUT FLANGE H12	
030	MANUFACTURER, CONVERTER ZF-SACHS	
031	NO. OF BORES CONVERTER CONNECT. 4	
032	DIAMETER OUTSIDE CONVERTER 260 mm	
033	DESIGN CONVERTER HALF UP S	
034	NUMBER OF DISCS, CONVERTER 2	
035	DESIGN CONVERTER CLUTCH CONTROLLED G	
036	DESIGN, LOCK-UP CLUTCH CONVERTER CLUTCH	

# Technical Cover

Page 2 from 2

Material number: 1058.000.016



5 HP 24 /

<b>Pos.</b>	<b>Information</b>	<b>Amendment number</b>
037	CODE LETTER CONVERTER L31	
038	CONVERTER CHARACTERISTIC 300	
039	OIL FILL VARIANT EX WORKS	
040	OIL CAPACITY, GEARBOX 9 dm3	
041	OIL GRADE PERMISSIBLE PENTOSIN ATF 1	
042	COLOR NOT	
043	CODING OUTER CONSERVATION KA0	
044	CODING INNER CONSERVATION KI1	
045	CONSERVATION SPECIFICATION ZFN 916	
046	OIL CAPACITY HEAT EXCHANGER .76 dm3	
047	OIL TYPE HEAT EXCHANGER ALLOWED PENTOSIN ATF 1	
054	Alias ID -----	
055	Bayerische Motoren Werke (BMW) 2400-1423192	

# Assembly group overview

Page 1 from 1

Material number: 1058.000.016



5 HP 24 /

Graphics	Pos.	Material number	Name	Quantity	Amend. no.	Techn. Info.
019.01.05-1	110	1058.101.030	TRANSMISSION HOUSING	1		
019.01.05-1	118	1058.101.819	TRANSMISSION HOUSING	1		
019.02.05-1	268	1058.102.805	INPUT	1		
019.10.05-1	290	1058.110.015	OIL SUPPLY	1		
019.10.05-1	298	1058.110.809	OIL SUPPLY	1		
019.14.05-1	140	1058.114.006	OUTPUT	1		
019.14.05-1	148	1058.114.802	OUTPUT	1		
019.22.05-1	520	1058.122.818	CONVERTER	1		
019.24.05-1	170	1058.124.007	PARKING LOCK	1		
	388	1058.127.802	CONTROL UNIT	1		
	950	1058.127.011	DUCT PLATE	1		
019.31.05-1	238	1058.131.804	BRAKE	1		
019.32.05-1	940	1058.132.007	PLANETARY DRIVE	1		
019.32.05-1	960	1058.132.800	PLANETARY DRIVE	1		
019.42.05-1	930	1058.142.003	PLANETARY DRIVE	1		
019.50.05-1	900	1058.150.004	VALVE HOUSING	1		
019.51.05-1	910	1058.151.005	VALVE HOUSING	1		
019.55.05-1	920	1058.155.003	VALVE HOUSING	1		
019.70.05-1	900	1058.170.002	COUPLING	1		
019.72.05-1	910	1058.172.007	COUPLING	1		
019.72.05-1	918	1058.172.800	CLUTCH	1		
019.73.05-1	900	1058.173.007	COUPLING	1		
019.74.05-1	910	1058.174.007	COUPLING	1		
019.75.05-1	320	1058.175.007	COUPLING	1		
	200	1058.177.003	CLUTCH	1		
	208	1055.177.800	COUPLING	1		

# Plant

Page 1 from 2

Material number: 1058.000.016

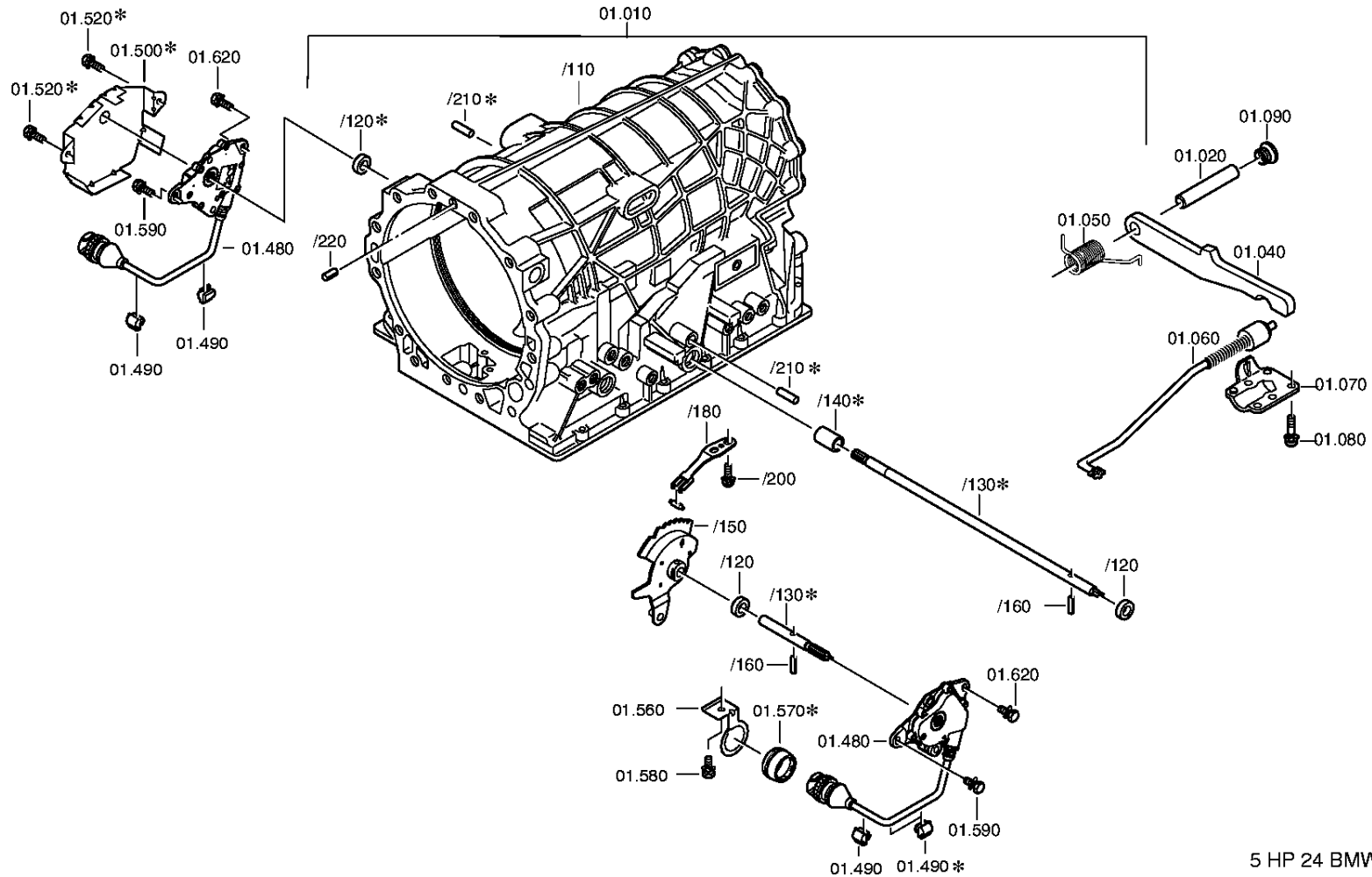
Plant: 019.01.05-1

## TRANSMISSION HOUSING



5 HP 24 /

TRANSMISSION HOUSING



5 HP 24 BMW

# Plant

Page 2 from 2

Material number: 1058.000.016

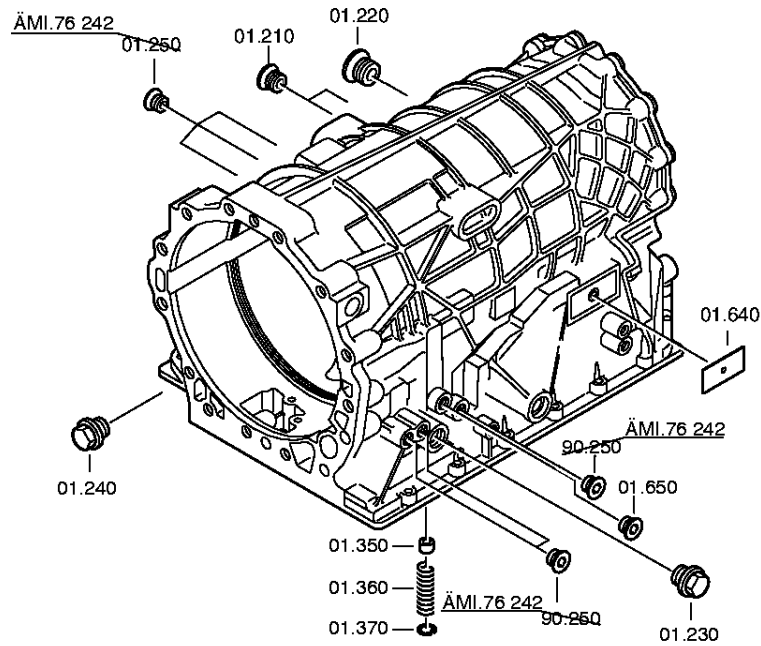
Plant: 019.01.05-2

TRANSMISSION HOUSING

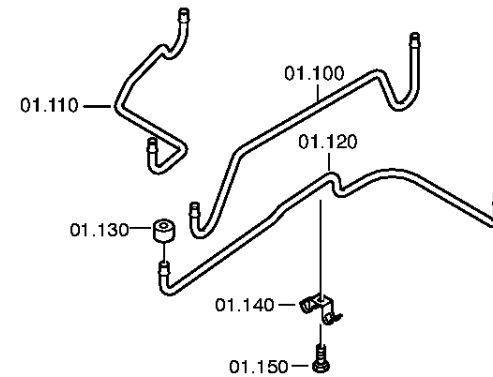


5 HP 24 /

TRANSMISSION HOUSING



ÄMI Siehe Änderungsmitteilung Nr. xx xxx  
Voir feuille de modifications n° xx xxx  
See changes in closure no. xx xxx



5 HP 24 BMW

# Plant

Page 1 from 1

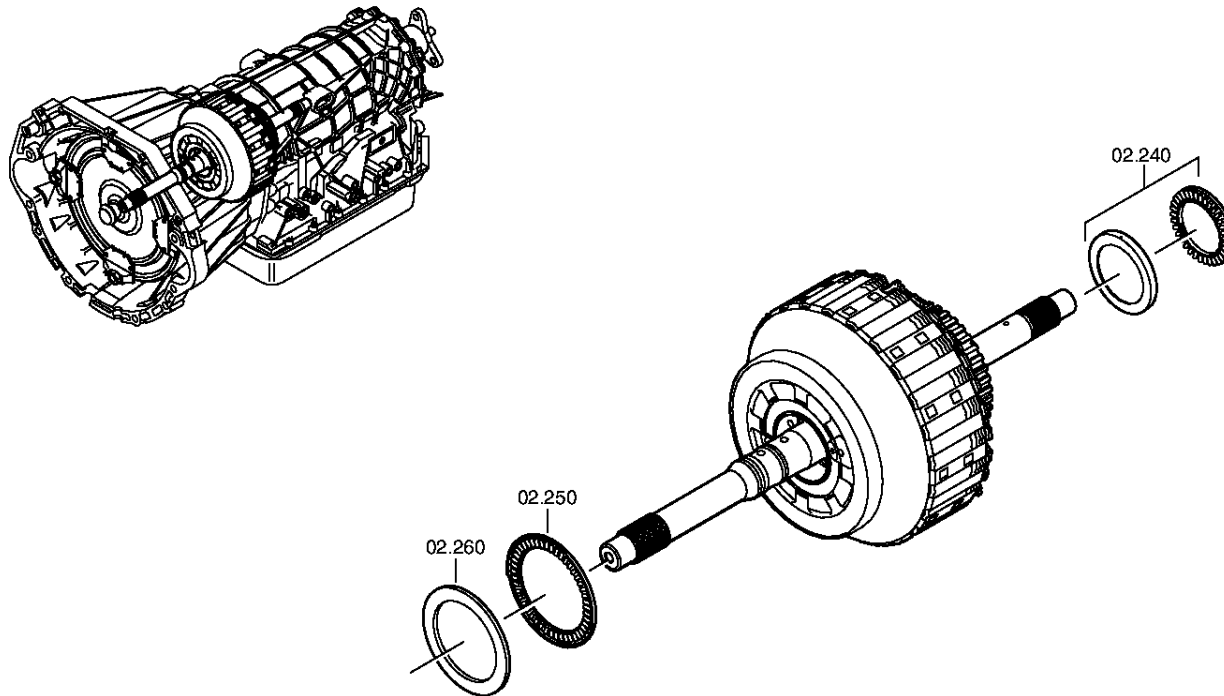
Material number: 1058.000.016

Plant: 019.02.05-1

Material-assembly-group-no: 1058.102.805



5 HP 24 /  
INPUT



5 HP 24 / A



# Plant

Page 1 from 1

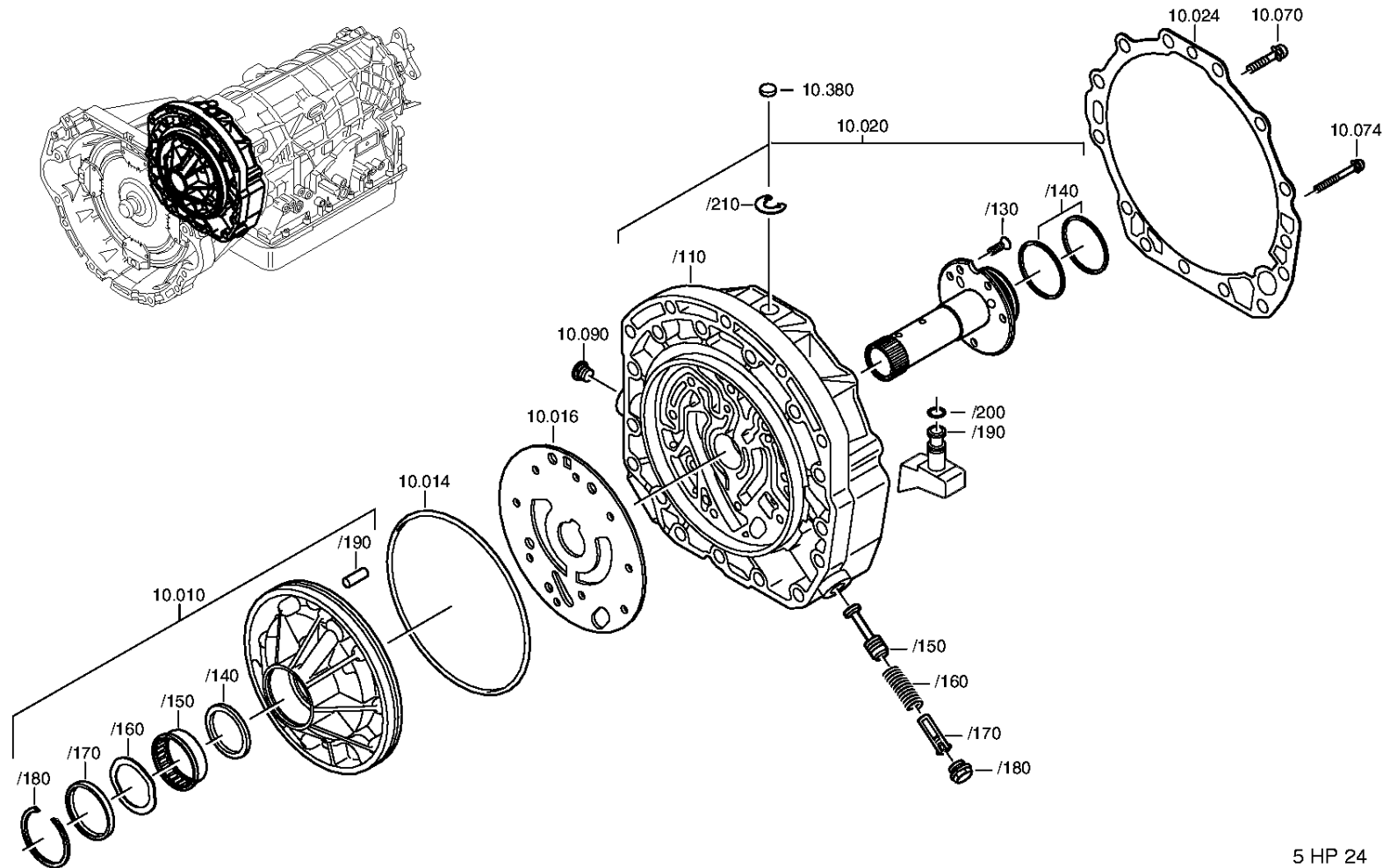
Material number: 1058.000.016

Plant: 019.10.05-1

OIL SUPPLY



5 HP 24 /  
OIL SUPPLY



5 HP 24

# Plant

Page 1 from 1

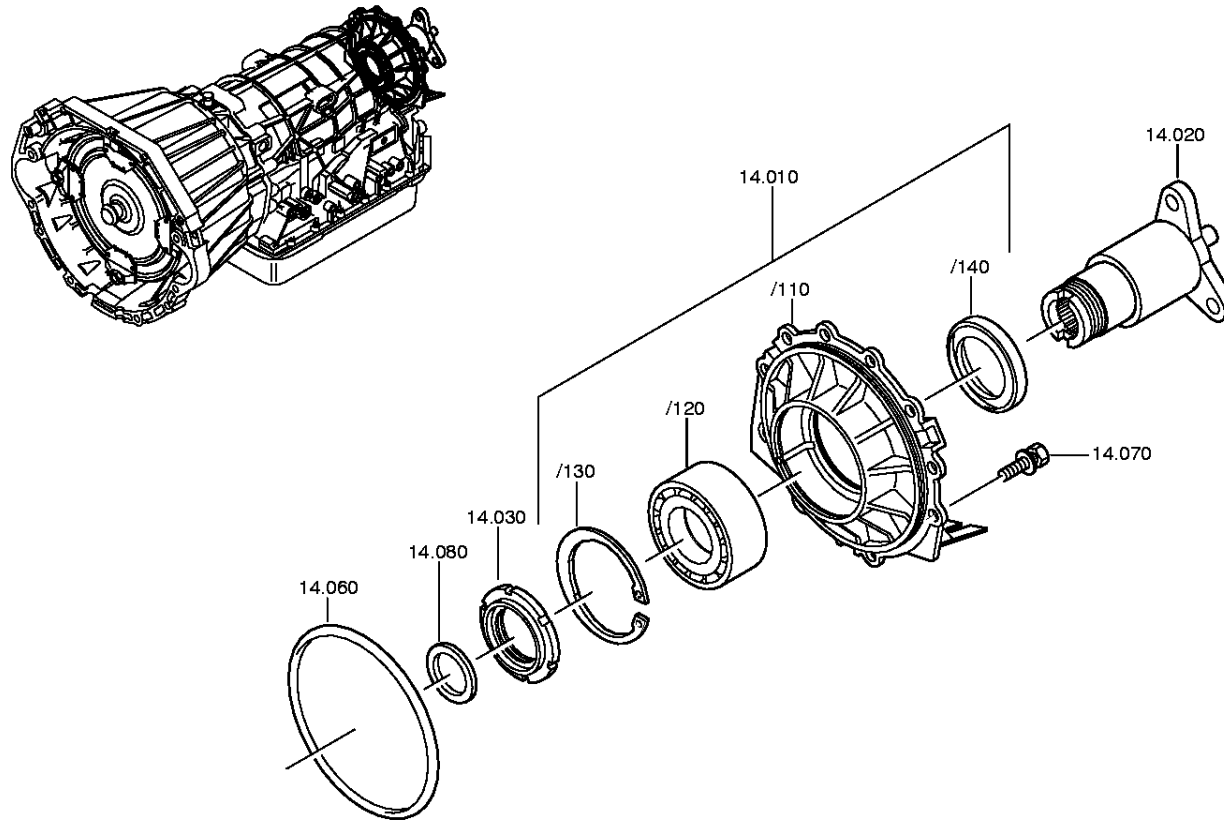
Material number: 1058.000.016

Plant: 019.14.05-1

OUTPUT



5 HP 24 /  
OUTPUT



5 HP 24 BMW

# Plant

Page 1 from 1

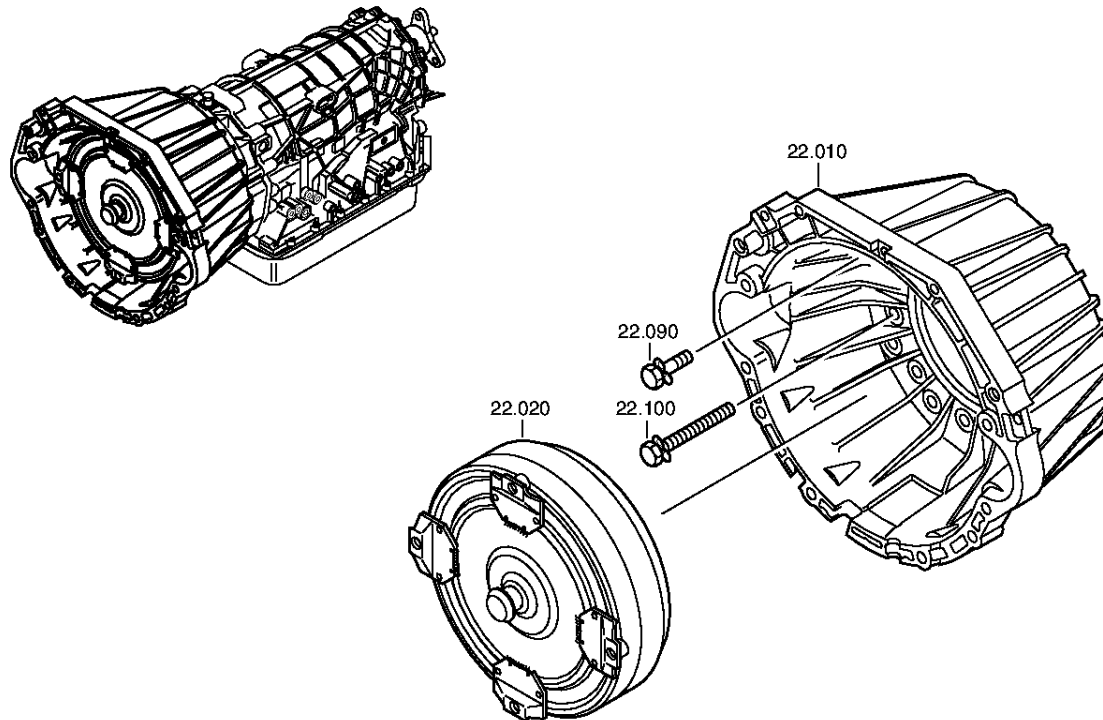
Material number: 1058.000.016

Plant: 019.22.05-1

Material-assembly-group-no: 1058.122.818



5 HP 24 /  
CONVERTER



5 HP 24 BMW

# Plant

Page 1 from 1

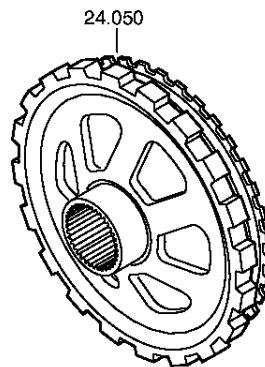
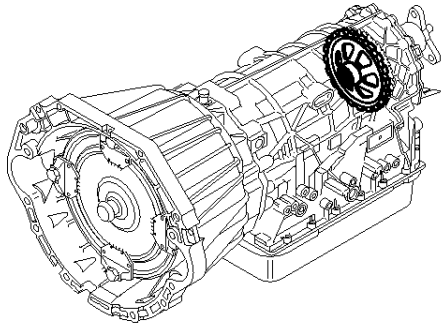
Material number: 1058.000.016

Plant: 019.24.05-1

Material-assembly-group-no: 1058.124.007



5 HP 24 /  
PARKING LOCK



5 HP 24

# Plant

Page 1 from 1

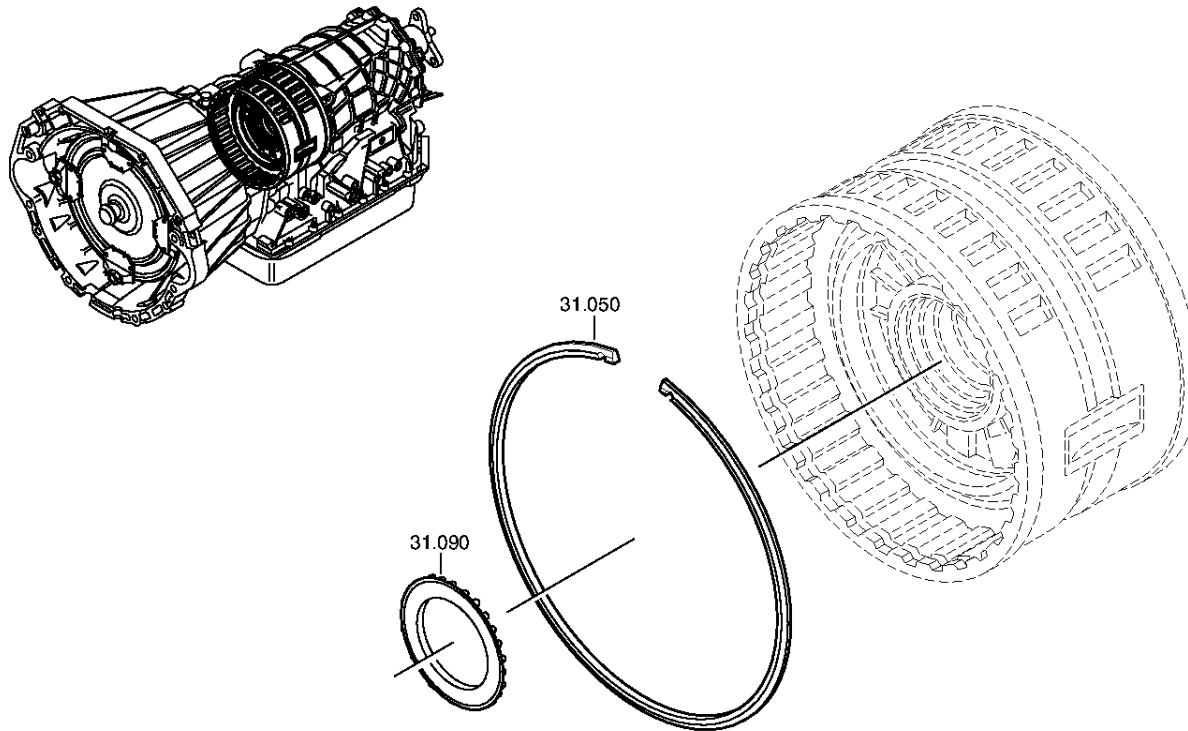
Material number: 1058.000.016

Plant: 019.31.05-1

Material-assembly-group-no: 1058.131.804



5 HP 24 /  
BRAKE



5 HP 24 / A

# Plant

Page 1 from 1

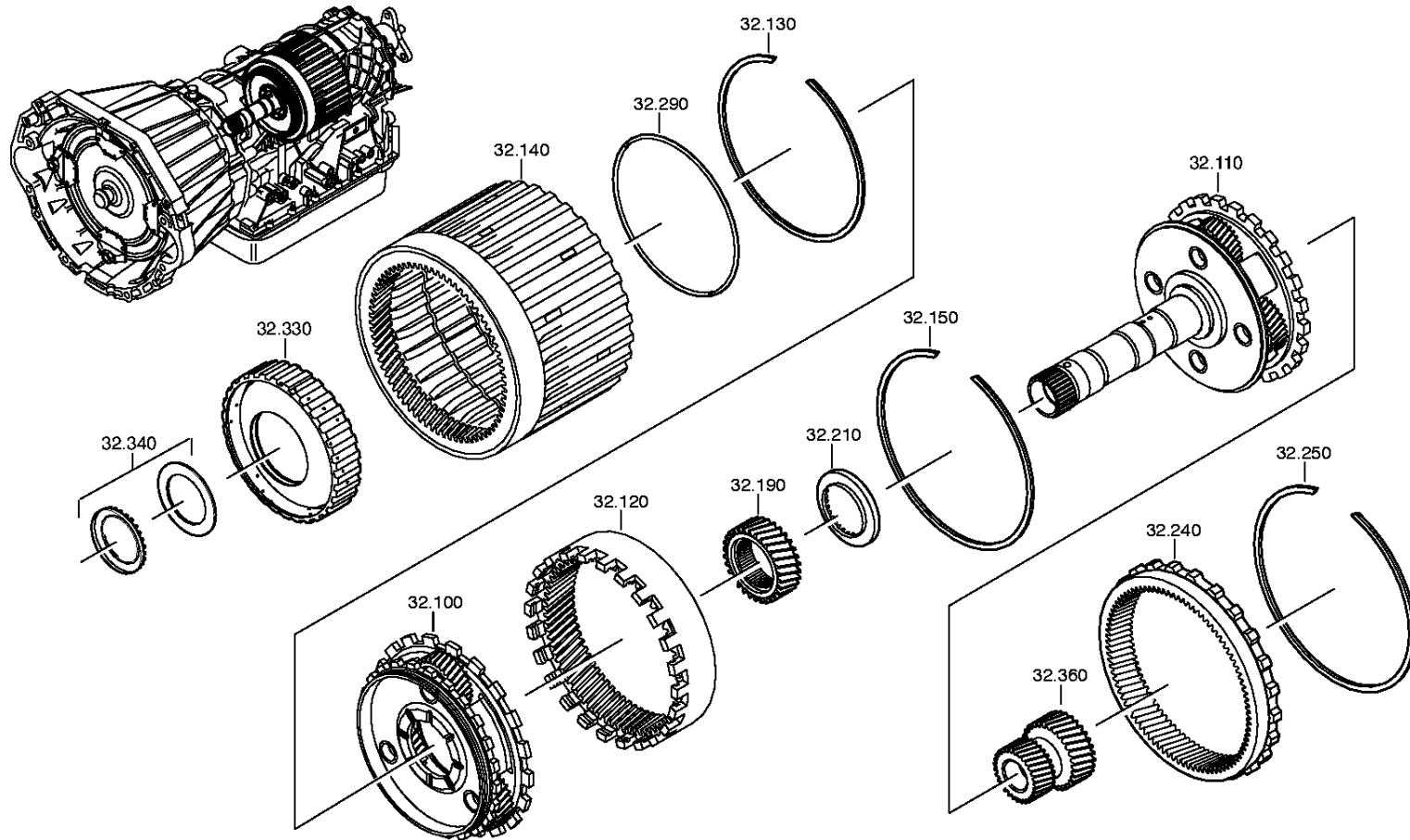
Material number: 1058.000.016

Plant: 019.32.05-1

PLANETARY DRIVE



5 HP 24 /  
PLANETARY DRIVE



5 HP 24 / A

# Plant

Page 1 from 1

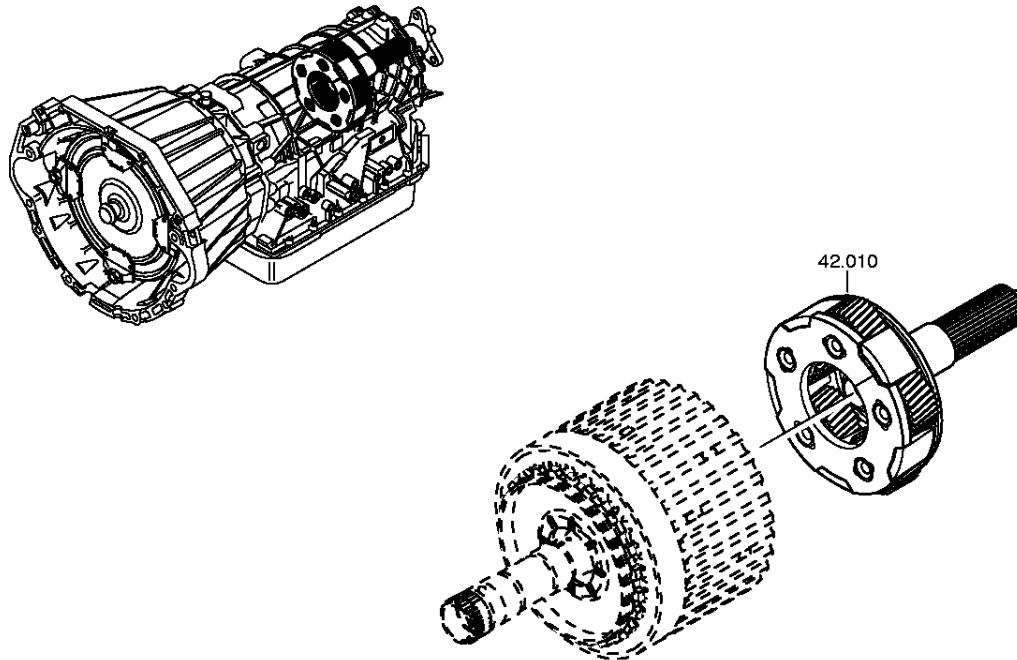
Material number: 1058.000.016

Plant: 019.42.05-1

Material-assembly-group-no: 1058.142.003



5 HP 24 /  
PLANETARY DRIVE



5 HP 24

# Plant

Page 1 from 1

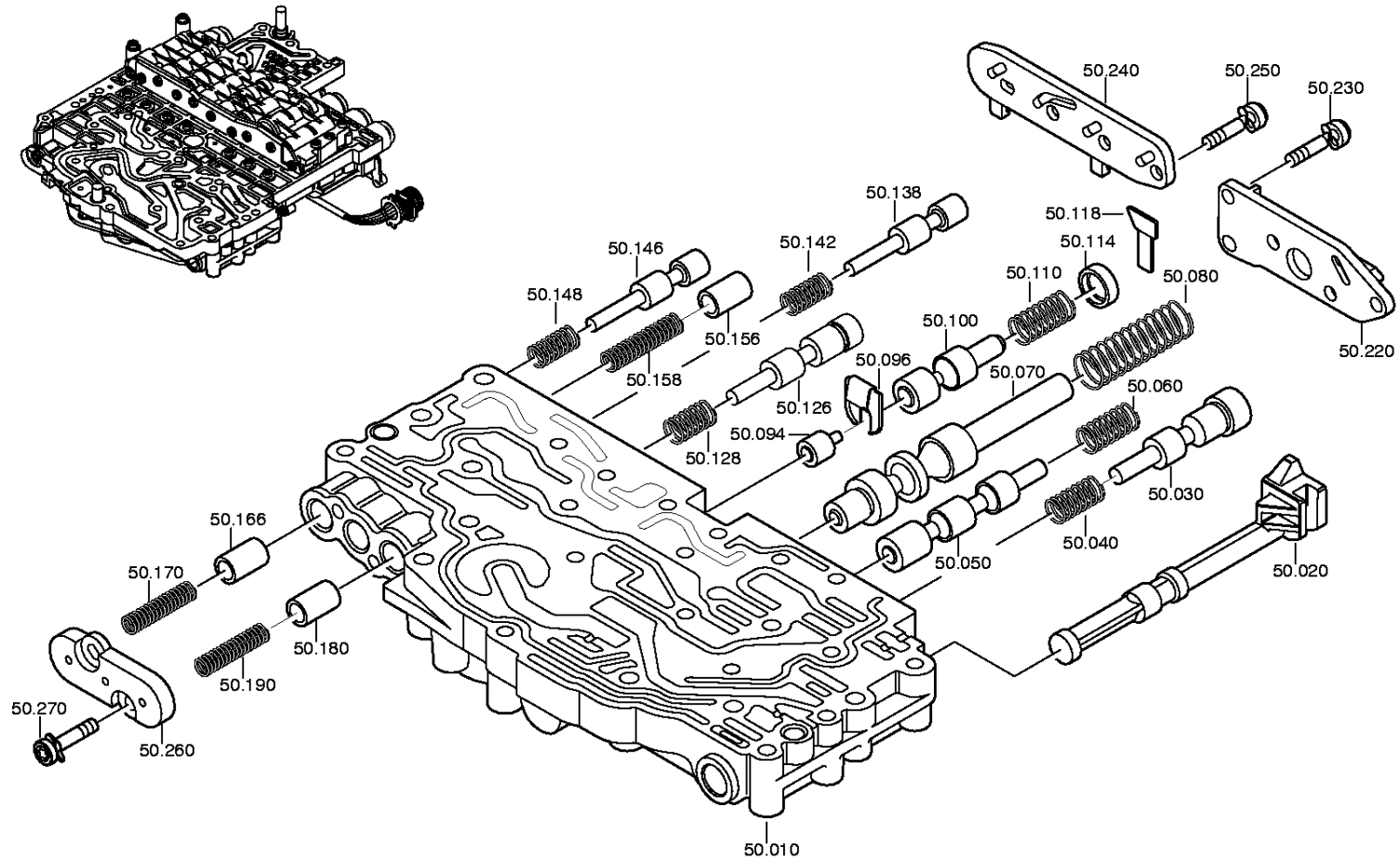
Material number: 1058.000.016

Plant: 019.50.05-1

Material-assembly-group-no: 1058.150.004



5 HP 24 /  
VALVE HOUSING



5 HP 24



# Plant

Page 1 from 1

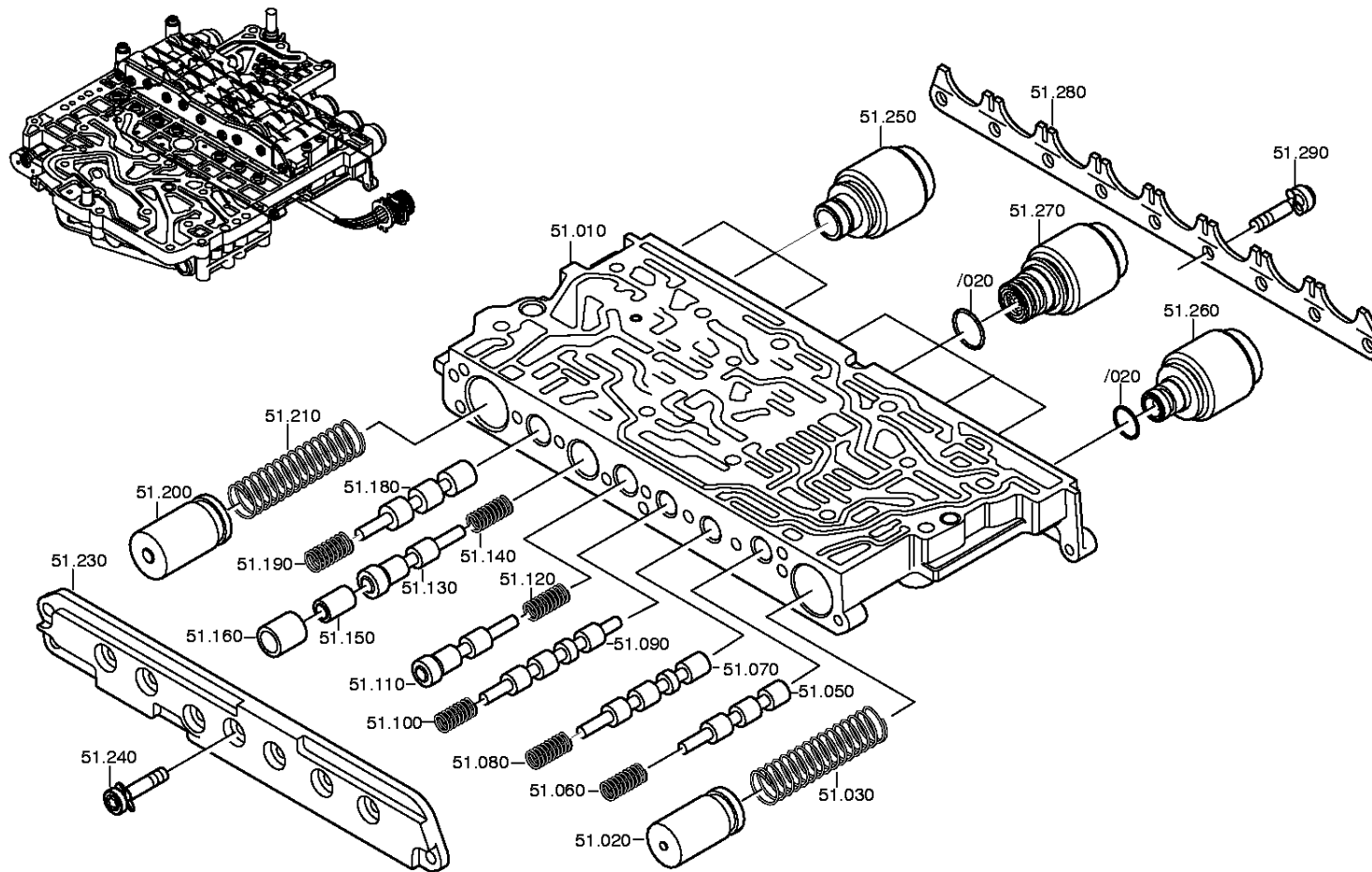
Material number: 1058.000.016

Plant: 019.51.05-1

Material-assembly-group-no: 1058.151.005



5 HP 24 /  
VALVE HOUSING



5 HP 24

# Plant

Page 1 from 1

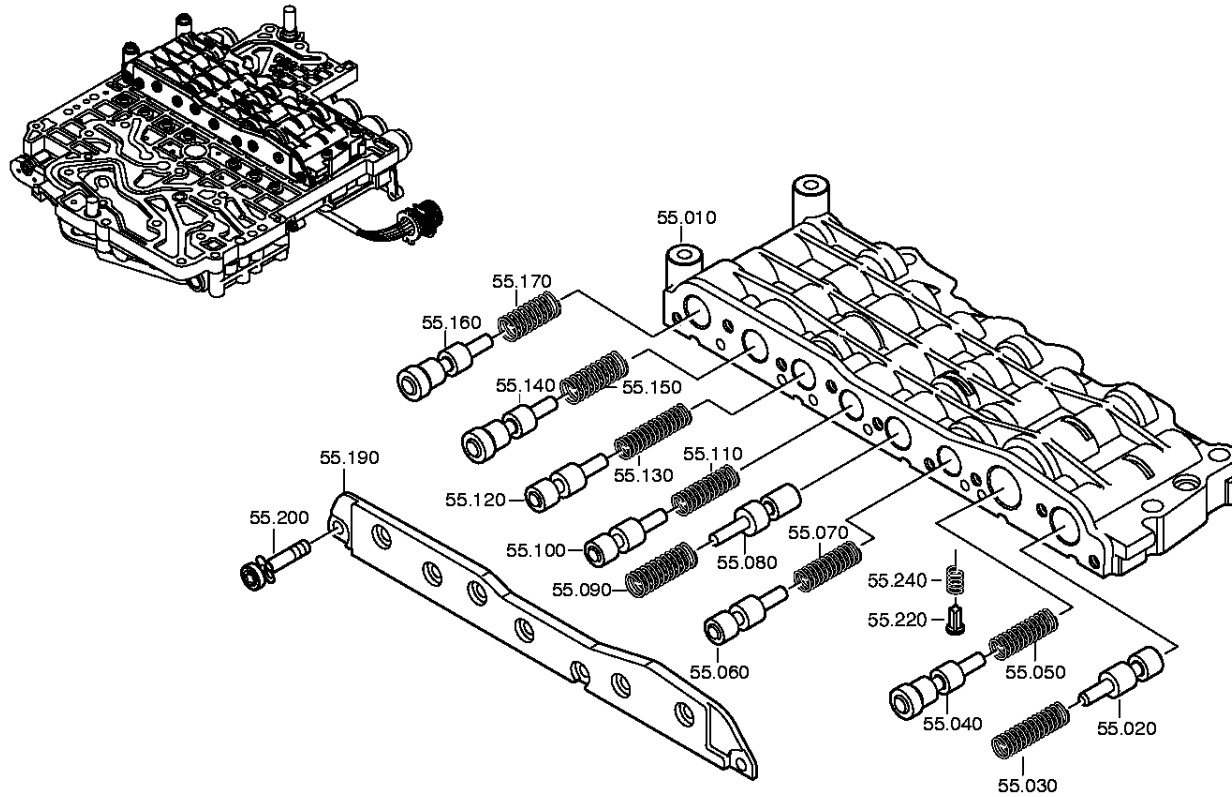
Material number: 1058.000.016

Plant: 019.55.05-1

Material-assembly-group-no: 1058.155.003



5 HP 24 /  
VALVE HOUSING



5 HP 24

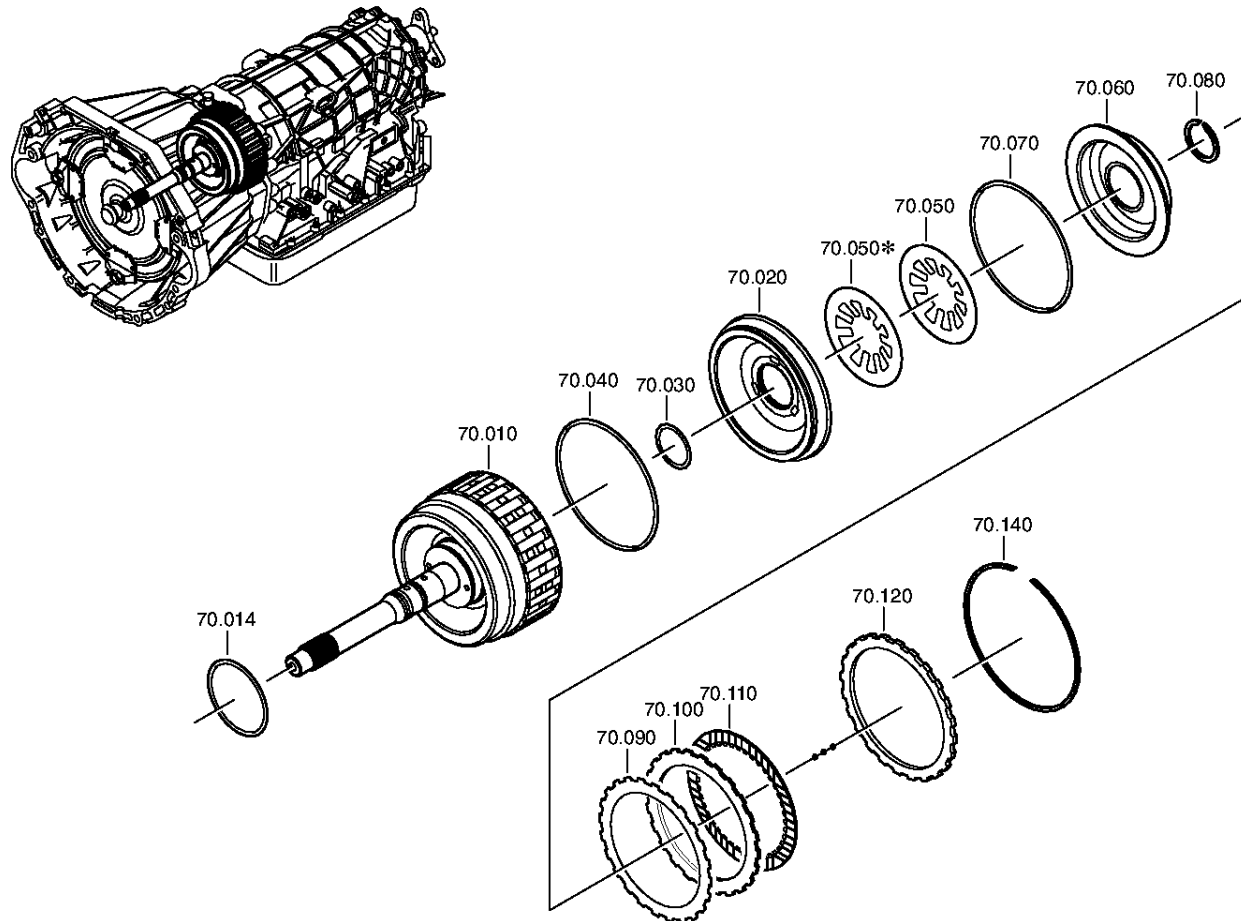
# Plant

Page 1 from 1

Material number: 1058.000.016

Plant: 019.70.05-1

Material-assembly-group-no: 1058.170.002



5 HP 24 / A

# Plant

Page 1 from 1

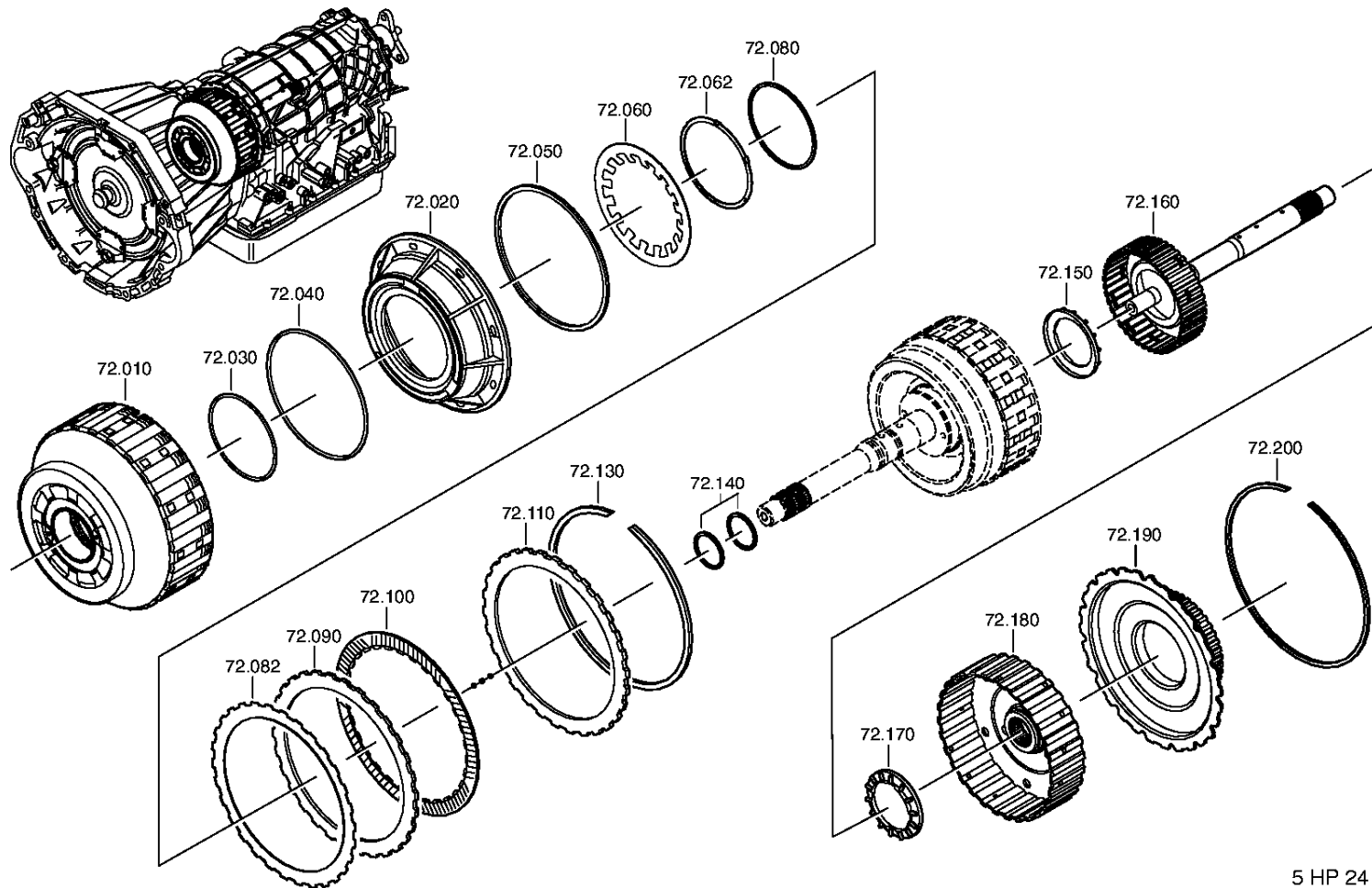
Material number: 1058.000.016

Plant: 019.72.05-1

COUPLING



5 HP 24 /  
COUPLING



5 HP 24 / A

# Plant

Page 1 from 1

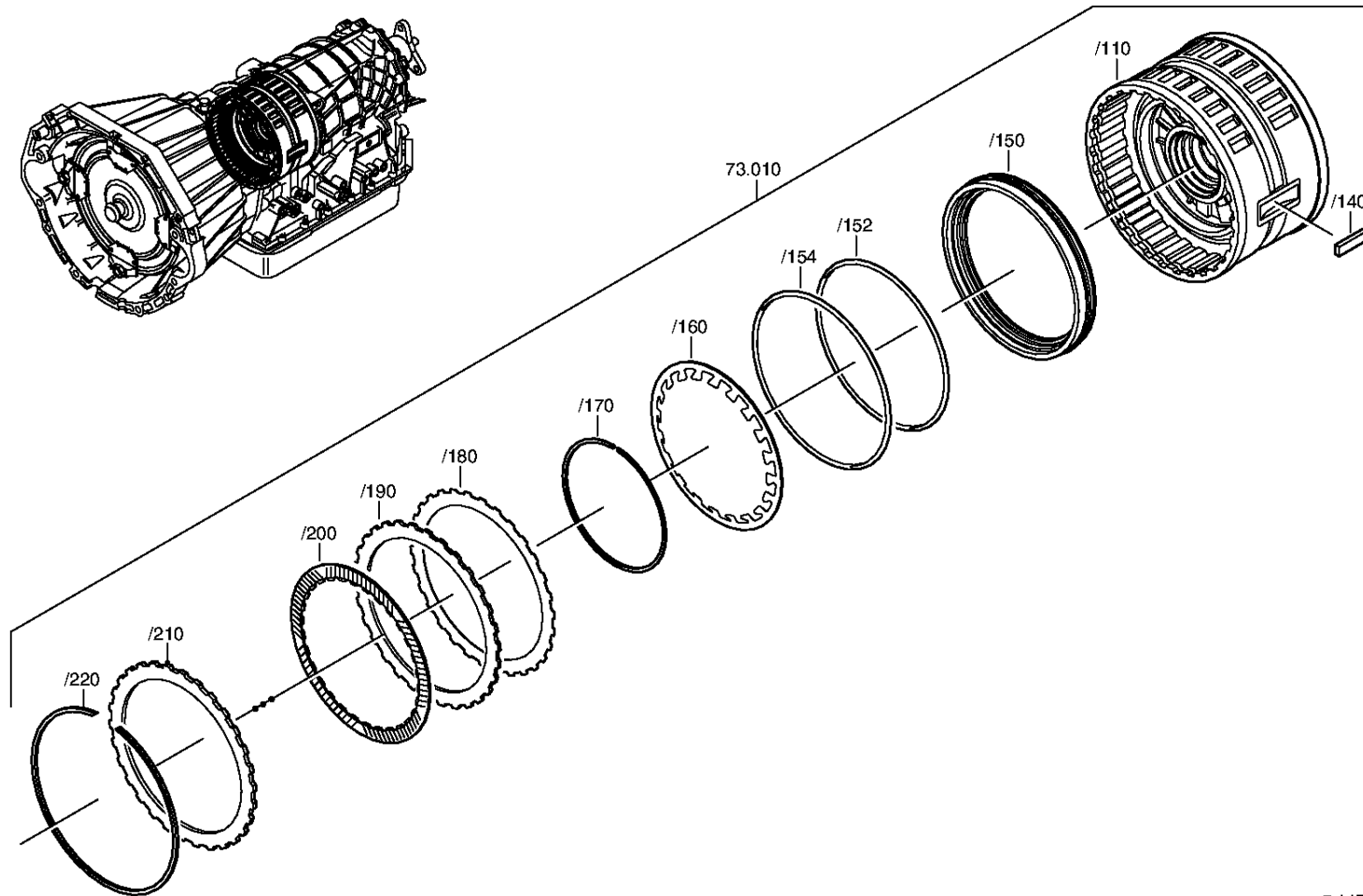
Material number: 1058.000.016

Plant: 019.73.05-1

Material-assembly-group-no: 1058.173.007



5 HP 24 /  
COUPLING



5 HP 24 / A

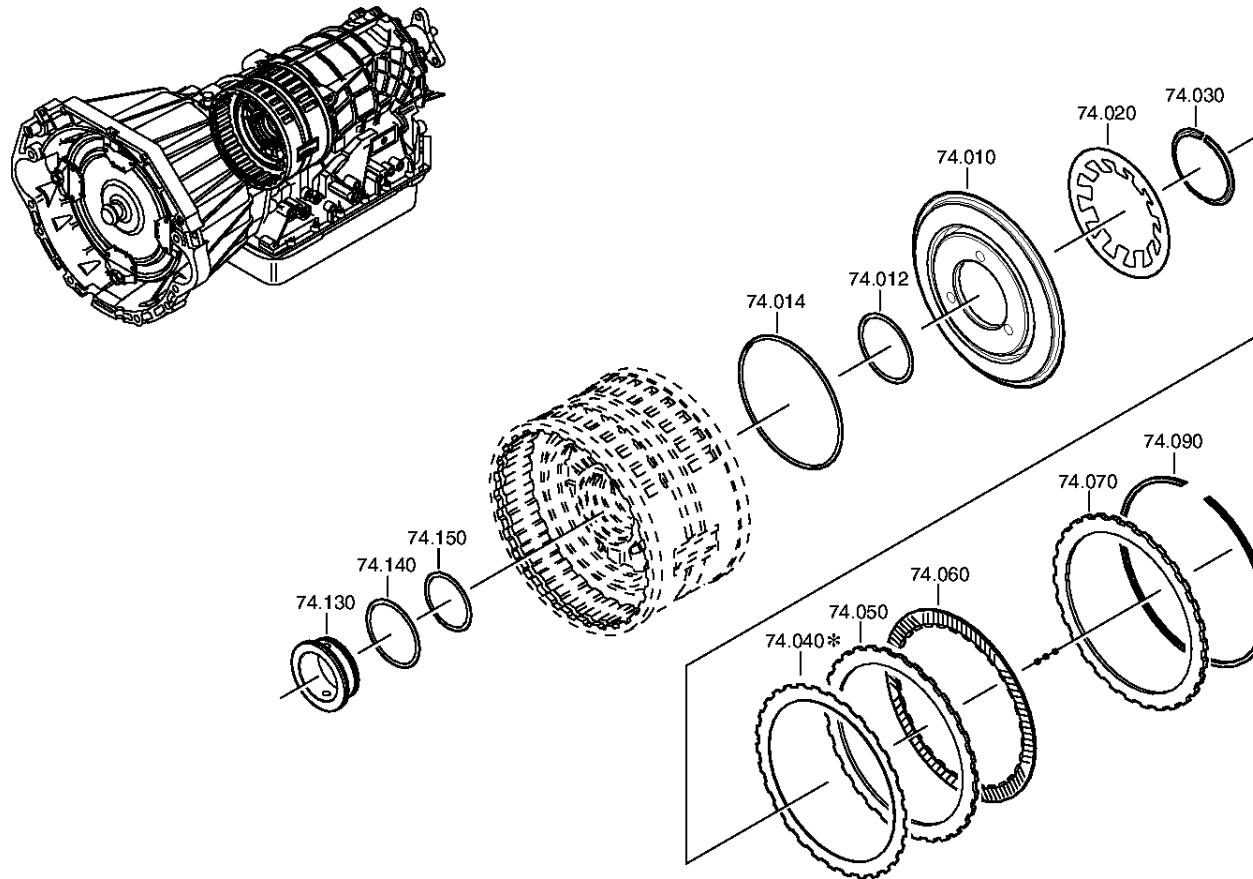
# Plant

Page 1 from 1

Material number: 1058.000.016

Plant: 019.74.05-1

Material-assembly-group-no: 1058.174.007



5 HP 24 / A

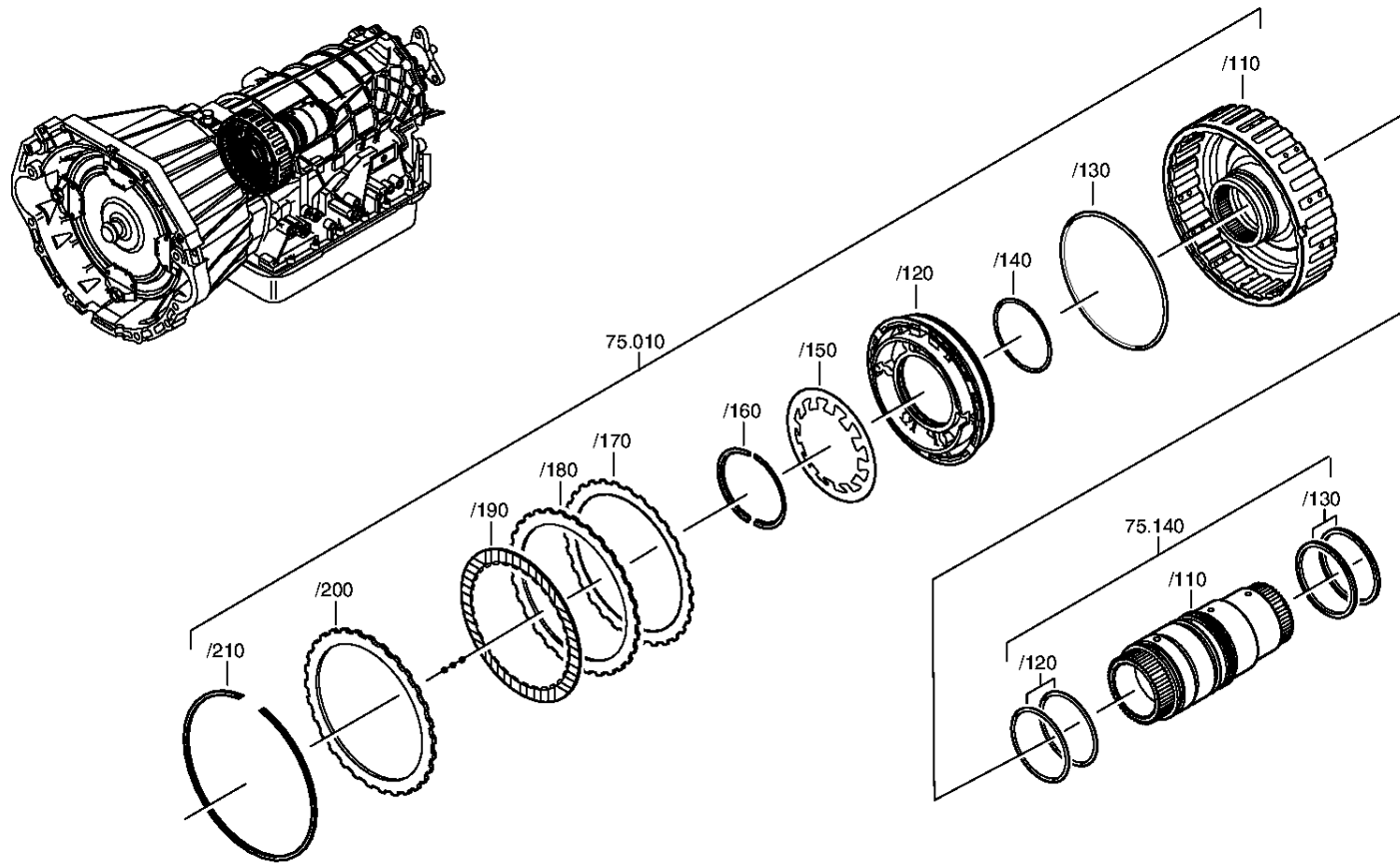
# Plant

Page 1 from 1

Material number: 1058.000.016

Plant: 019.75.05-1

Material-assembly-group-no: 1058.175.007



5 HP 24 / A