



КПП ZF

8S 1350 (8S1350)

1295 095 074 (1295 095 074)

KAMAZ

Каталог запчастей

parts list: 1295 095 074

8S-1350 / OD * LL*D-L H-H * KAMAZ / RUS

item	text	mod.no.
A10	CUSTOMER : KAMAZ	
	COUNTRY : RUS	
A14	CUST.SPEC.NO : NONE	
A16		
A90	RELEASE : FIRST INSTALLATION CHECK CARRIED OUT	
F06	INSTAL.POSITION:LH *FLANGE MOUNTED	
F10	RATIO 8,28 : 0,71 OD	
	8,28 * 5,69 * 2,90 * 2,03 * 1,40 * 1,00 * 0,71 * R6,70 *	
F26	PLANET GEAR SET : I=4,07*5 GEAR	
F34	CONTROL:REMOTE CONTROL *HORIZONTAL LH *H-H	
F38	SEPARAT.CLUCTH : SYNCHRONIZED 1+2/3+4 GEAR BK-SYNCHR.	
F40	INPUT SHAFT L=(283)109*SAE10C 2 INCH	
	JOURNAL: D=25 F7 * SHAFT : D=50,30 * BUSH : WITHOUT	
F46	REL.BRG.CARRIER: L=(167)-7*D=60 F8	
F50	OUTPUT : STANDARD BEARINGS	
F52	OUTP.FLANGE RA:OD=180 * BOLT = 4 X M14 X 1,50 X 50 L=208*	
F64	CONN.OF GEARSHIFT	
F66	CONTROL SHAFT DIMENSION : A=273,0	
F68	SHIFT LEVER : R1=90	
	CONTR.CONNECTION:POS.E*	
	OUTPUT ANGLE : Y = 13°	
F96	SET OF SPRINGS:LAYOUT Q1	
F98	PAWL STOP:SPRING FORCE RG=300N	
G16	SELECTION PATTERN : WI	
G30	SWITCH: RG*CLOSING *G.SHIFT SHAFT	
	PROTECTING CAP : WITH * BAYONET	
G32	SWITCH : NG * OPENING	
	PROTECTING CAP : WITH * BAYONET	
G36	SWITCH : GP * CLOSING *	
	PROTECTING CAP : WITH * BAYONET	

parts list: 1295 095 074

8S-1350 / OD * LL*D-L H-H * KAMAZ/ RUS

item	text	mod.no.
G60	AUXILIARY UNITS/ACCESSORIES	
G64	HEAT EXCHANGER : FRONT LEFT PREP.*	
G66	G.BOX VENTING : BREATHER	
G76	CLUTCH HOUSING : SAE 1* BOLTC CLUTCH FORK RELEASE :	
	WITH * L= 78 CYL : *L= *ASSEMBLY:6	
	HOLDING FIXTURE D= *SUSPENSION: ELETRONIC:	
	PULSE TRANSMITTER TACHO : IMP/U 6,00	
	TRANSMIT : WITH * PROTEC.CAP : WITH	
M00	DRAWING :	
M12	INSTALLATION : 1295 695 079 (A0)	
M14	SECTION : 0091 095 001 (A0)	
M16	SECTION : 1295 107 071 (A0)	
M18	SECTION : 0091 095 002 (A0)	
M50	ASSEMBLY INSTRUCTIONS :	
M58	ASSEMBLY : OIL FILL+OVERFLOW * HOUSING LEFT + RIGHT	
M82	ASSEMBLY : SHUT - OFF VALVE*F* THROTTLE :D=1,55	
M90	OIL CAPACITY : APROX. 14 L	
M92	OIL GRADE ACC. TO ZF :TE-ML 02	
M94	MASS APPRX. : 310,0KG	
M96	PAINT :DEEP BLACK * RAL 9005 ZFN915W	
M98	PRESERVATION : KA1 T/K12/ * ZFN916	
S02	VEHICLE DATA 1 :	
S04	MODEL:DUMPER(MULDE-)*KAMAZ 6520 6X4	
S06	MAX G.V.M. : 33T	
S08	DYN : 547*	
S10	RA : I=5,11 *	
S14	KAMAZ/ *KW 235/2200*N.M 1300/1300	
S68	CLUTCH : F&S * MF Z430	

parts list: 1295 095 074

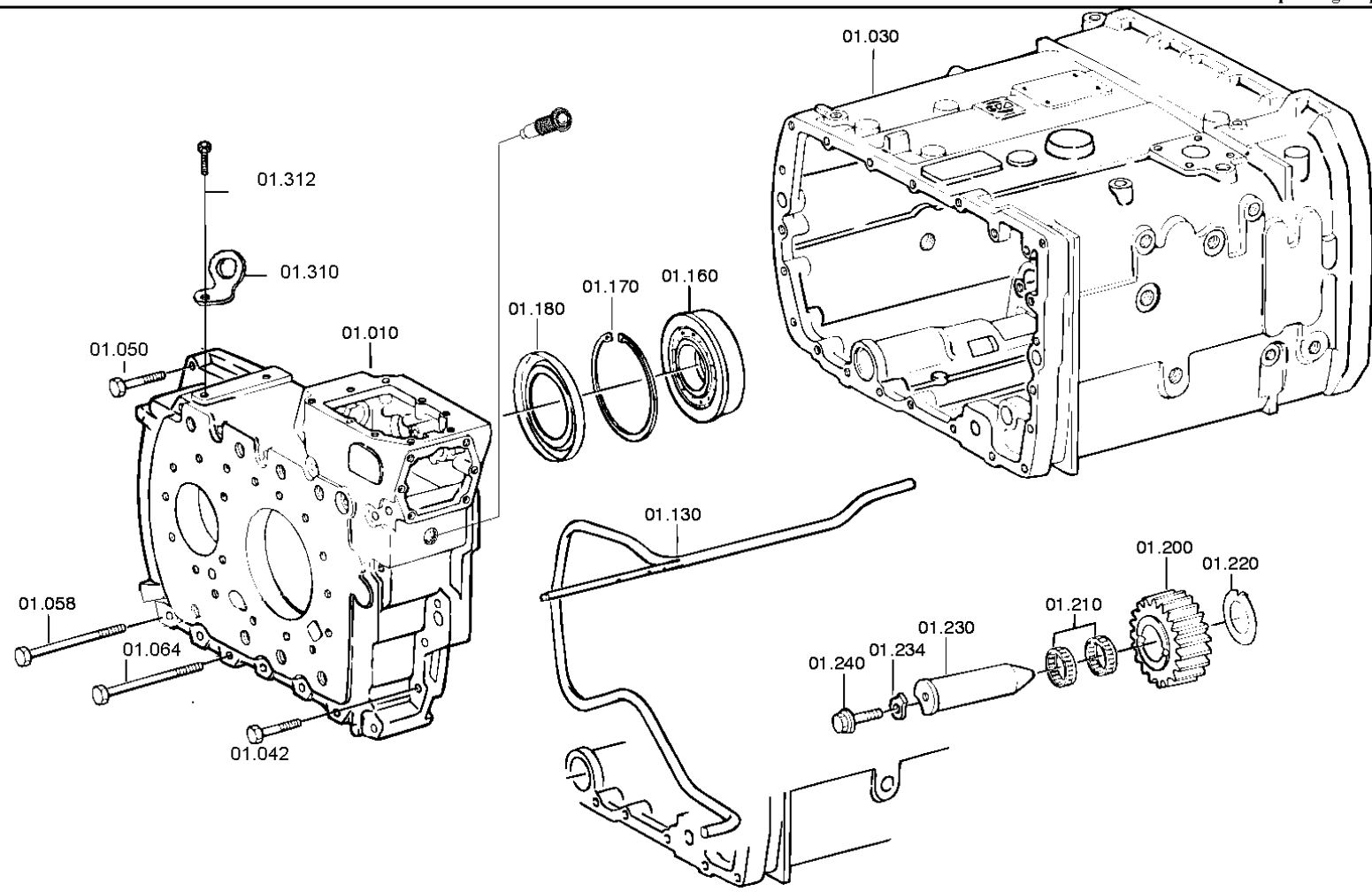
8S-1350 / OD * LL*D-L H-H * KAMAZ / RUS

figure	part no.	description	technical information	mod.no.
0095 001 001	0091 101 215	GEARBOX HOUSING		
0095 001 002	0091 101 216	GEARBOX HOUSING		
0095 002 001	0091 102 190	INPUT SHAFT		
0095 003 001	0091 103 078	LAY SHAFT		
0095 004 001	0091 104 209	MAIN SHAFT		
0095 006 001	0091 106 095	GEAR SHIFT SYSTEM		
0095 007 001	0091 107 289	GEAR SHIFT SHAFT		
0095 070 001	0091 170 003	COVER		
0095 049 001	0091 149 027	SET OF SPRINGS		
0095 045 001	0091 145 002	RANGE SELECTION		
0095 900 001	0091 101 218	CLUTCH HOUSING		
0095 900 002	0091 101 221	CLUTCH HOUSING		
0095 031 001	0091 131 036	GP HOUSING		
0095 031 002	0091 131 037	COVER		
0095 032 001	0091 132 055	PLANETARY DRIVE		
0095 032 002	0091 132 056	PLANETARY DRIVE		
0095 033 001	0091 133 003	SYNCHRONIZER		
0095 034 001	0091 134 026	GP SHIFT SYSTEM		
0095 034 002	1295 134 426	CONN.PARTS		

parts list: 1295 095 074
figure: 0095 001 001

8S-1350 / OD * LL * D-L H-H * KAMAZ / RUS
GEARBOX HOUSING

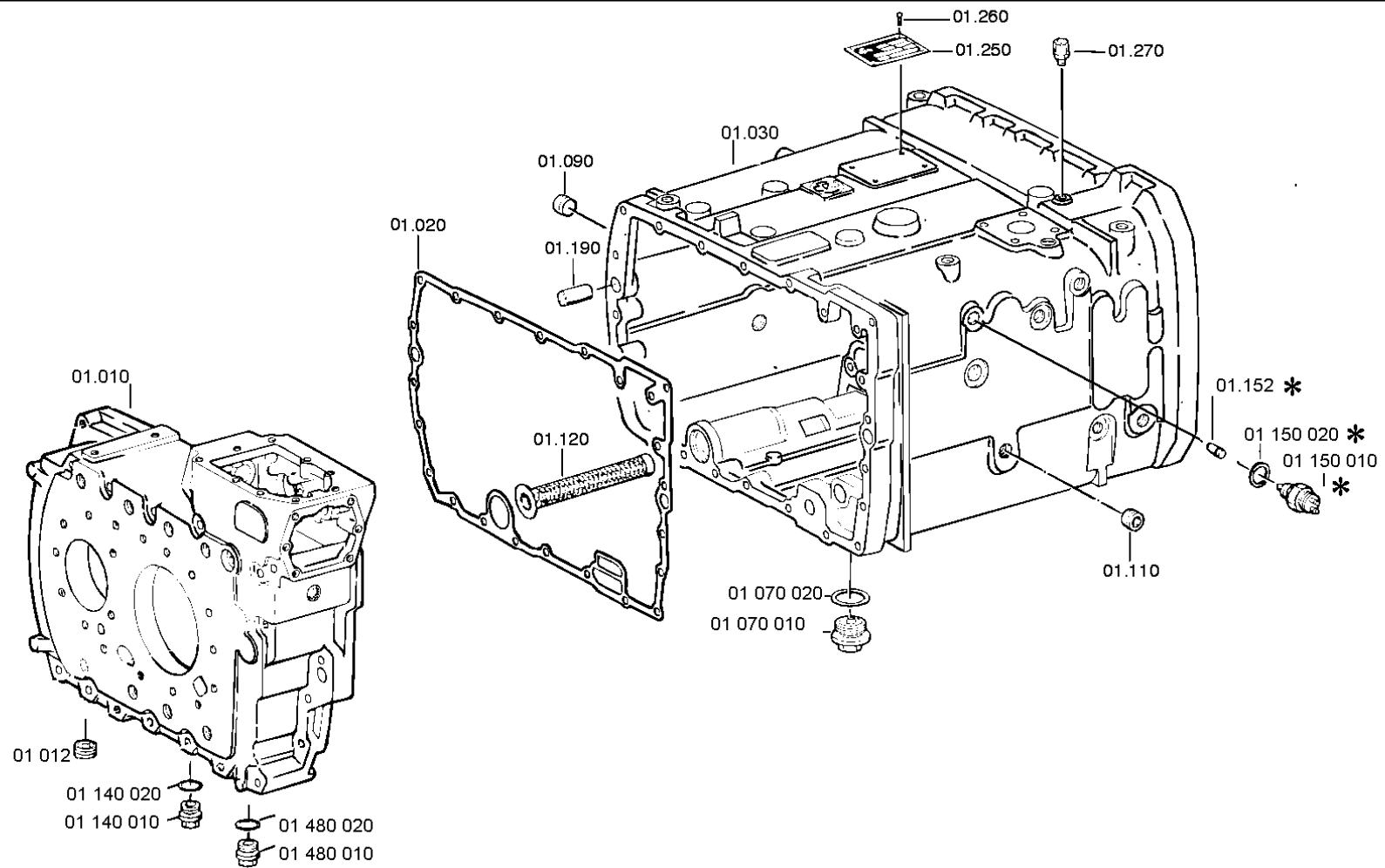
*depending on parts list n°.



parts list: 1295 095 074
figure: 0095 001 002

8S-1350 / OD * LL * D-L H-H * KAMAZ / RUS
GEARBOX HOUSING

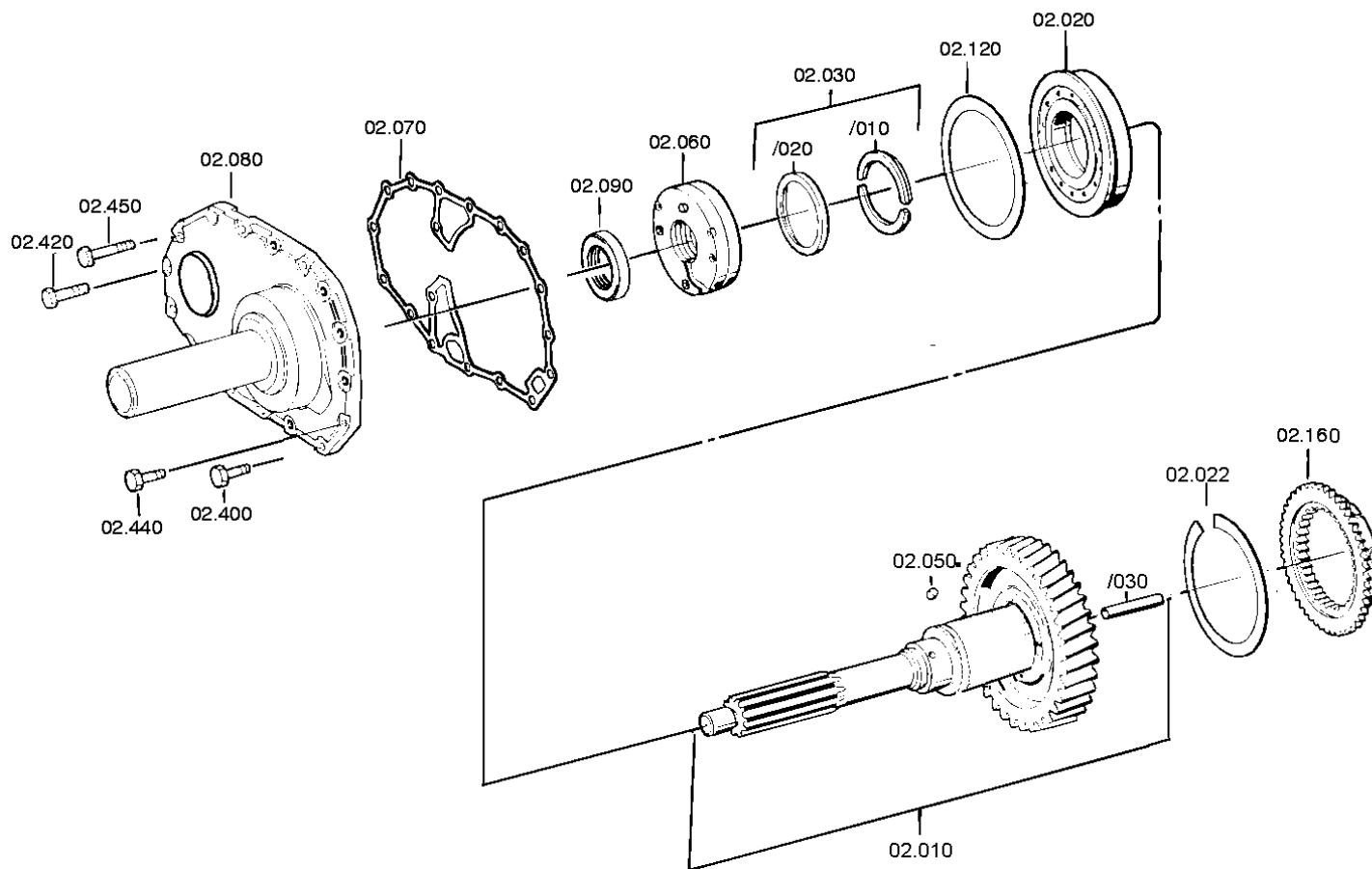
*depending on parts list n°.



parts list: 1295 095 074
figure: 0095 002 001

8S-1350 / OD * LL * D-L H-H * KAMAZ / RUS
INPUT SHAFT

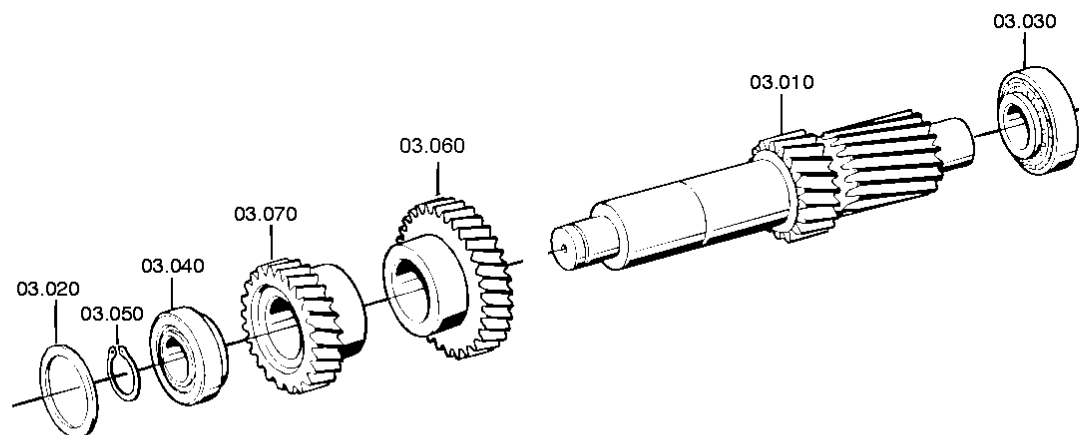
* depending on parts list n°.



parts list: 1295 095 074
figure: 0095 003 001

8S-1350 / OD * LL * D-L H-H * KAMAZ / RUS
LAYSHAFT

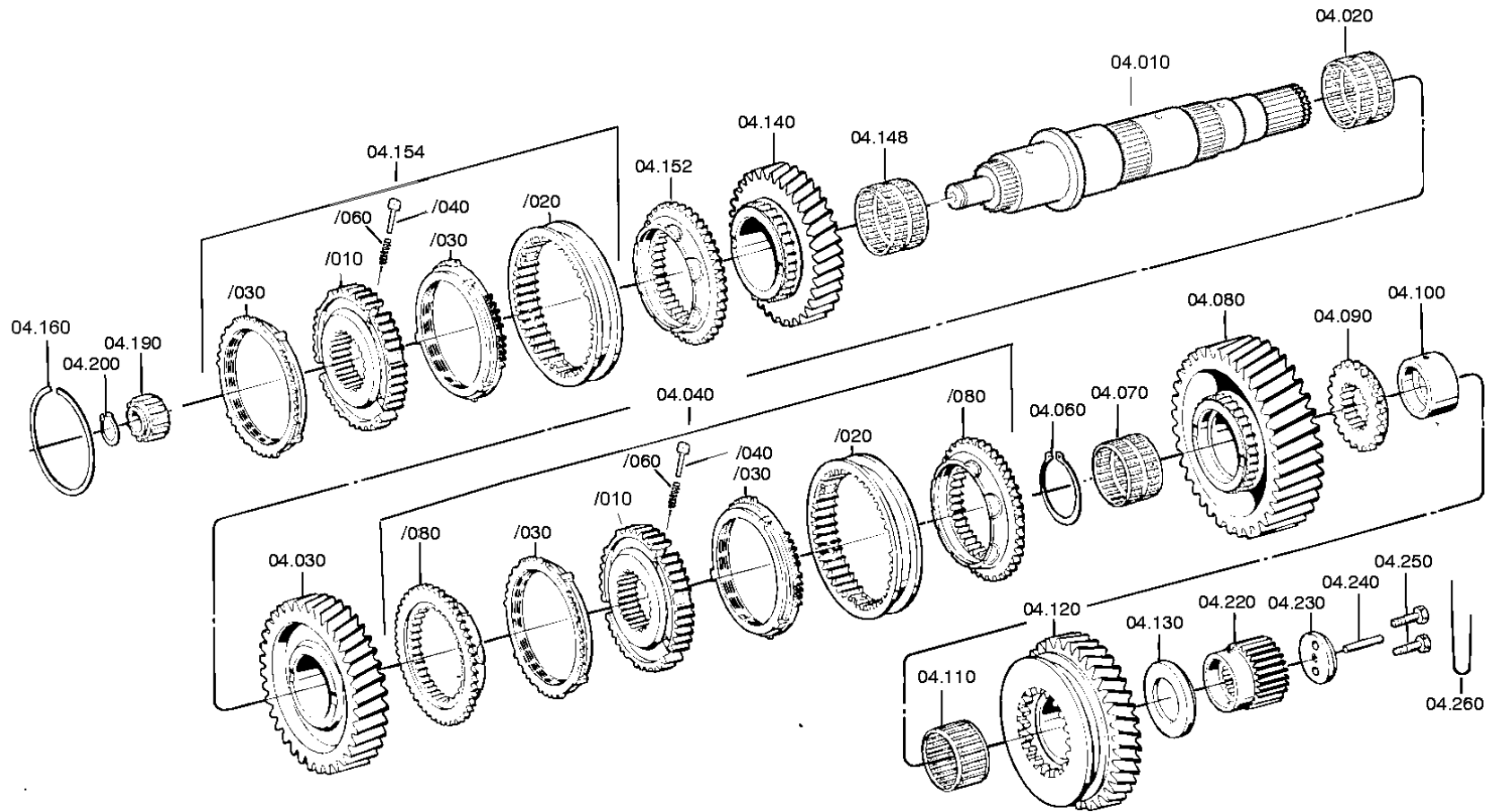
*depending on parts list n°.



parts list: 1295 095 074
figure: 0095 004 001

8S-1350 / OD * LL * D-L H-H * KAMAZ / RUS
MAIN SHAFT

*depending on parts list n°.

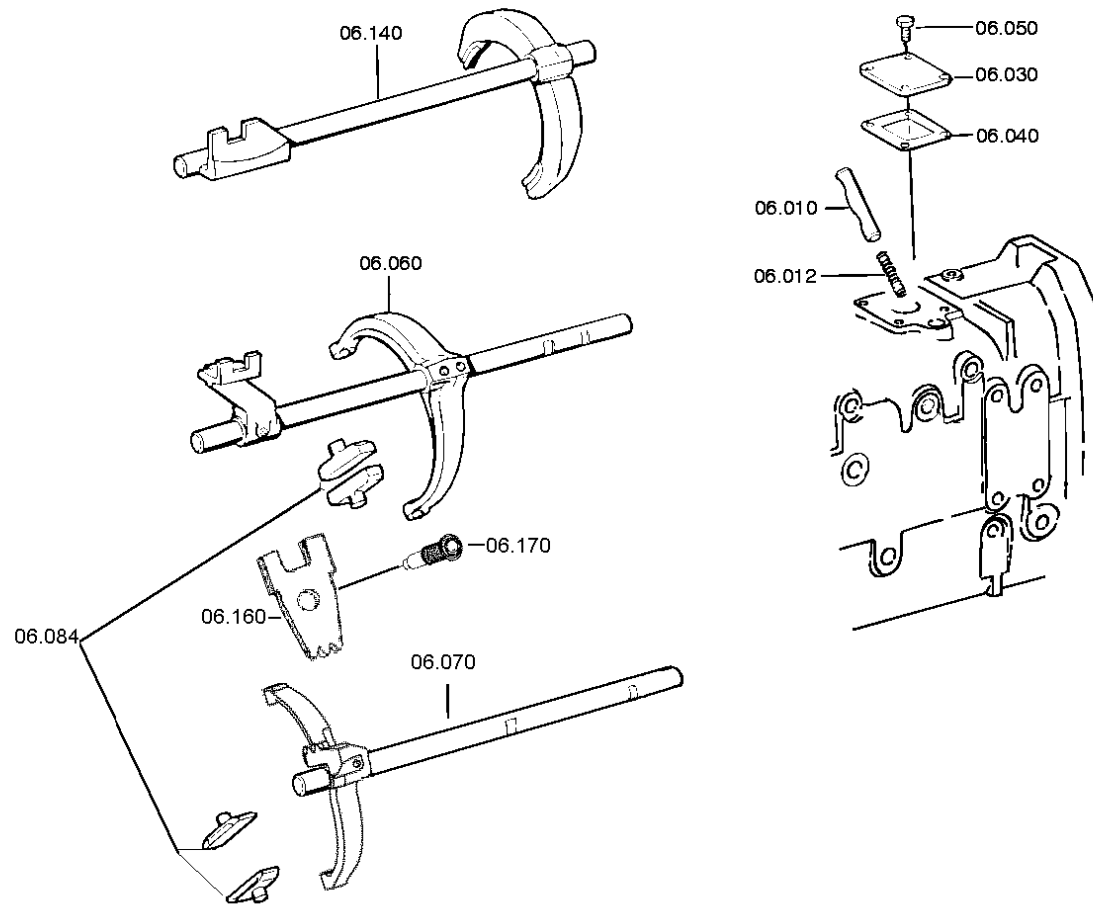


parts list:
figure:

1295 095 074
0095 006 001

8S-1350 / OD * LL * D-L H-H * KAMAZ / RUS
GEARSHIFT SYSTEM

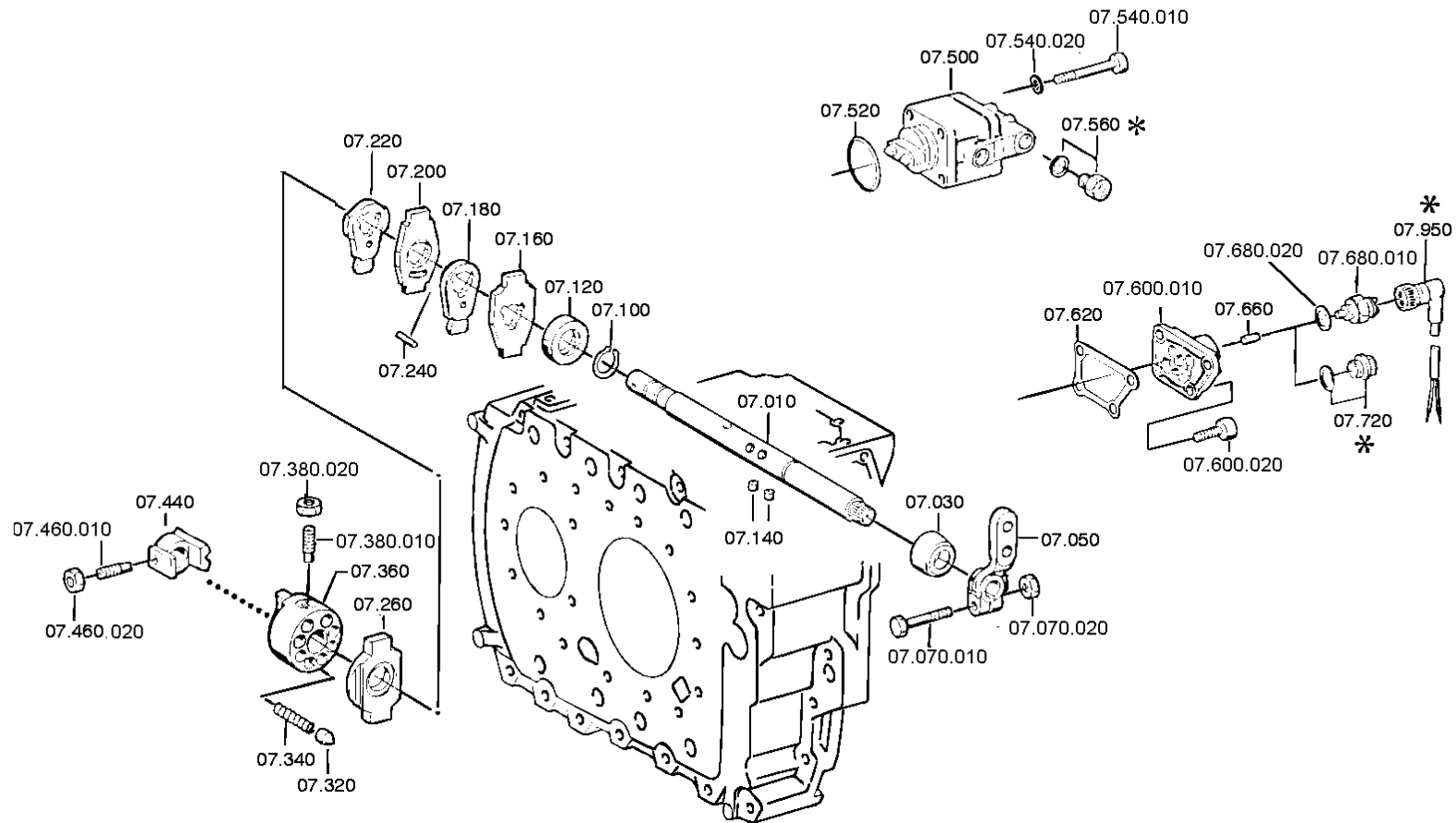
*depending on parts list n°.



parts list: 1295 095 074
figure: 0095 007 001

8S-1350 / OD * LL * D-L H-H * KAMAZ / RUS
G.SHIFT SHAFT

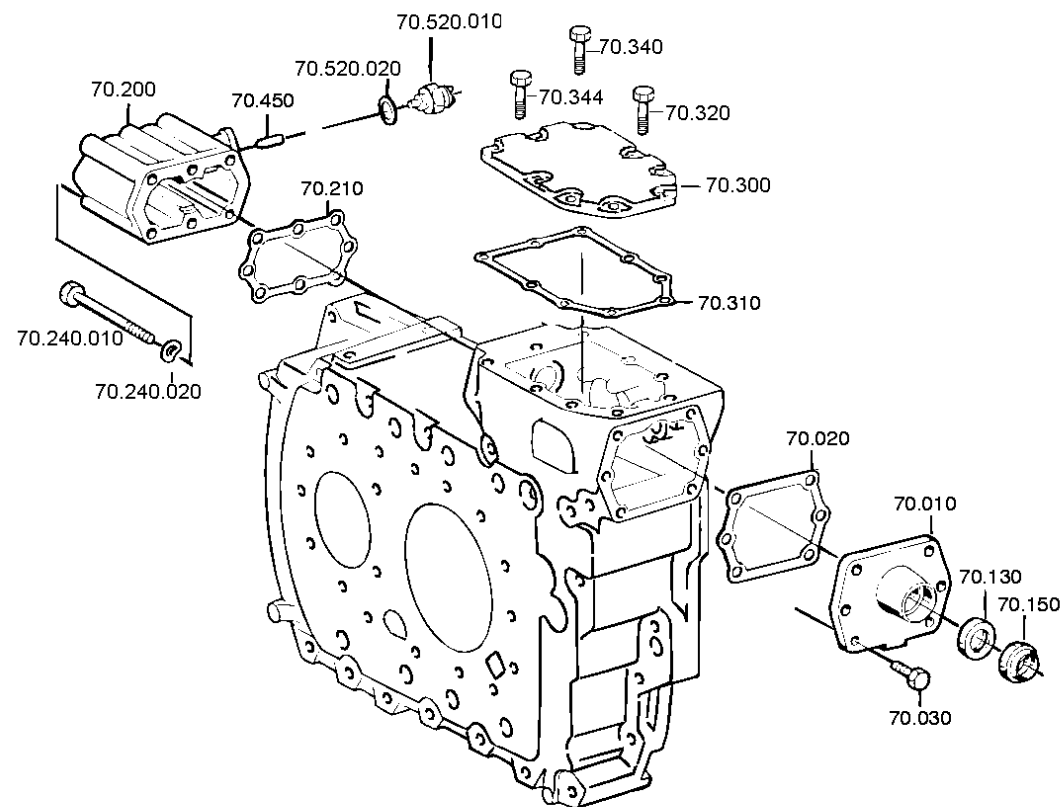
*depending on parts list n°.



parts list: 1295 095 074
figure: 0095 070 001

8S-1350 / OD * LL * D-L H-H * KAMAZ / RUS
COVER

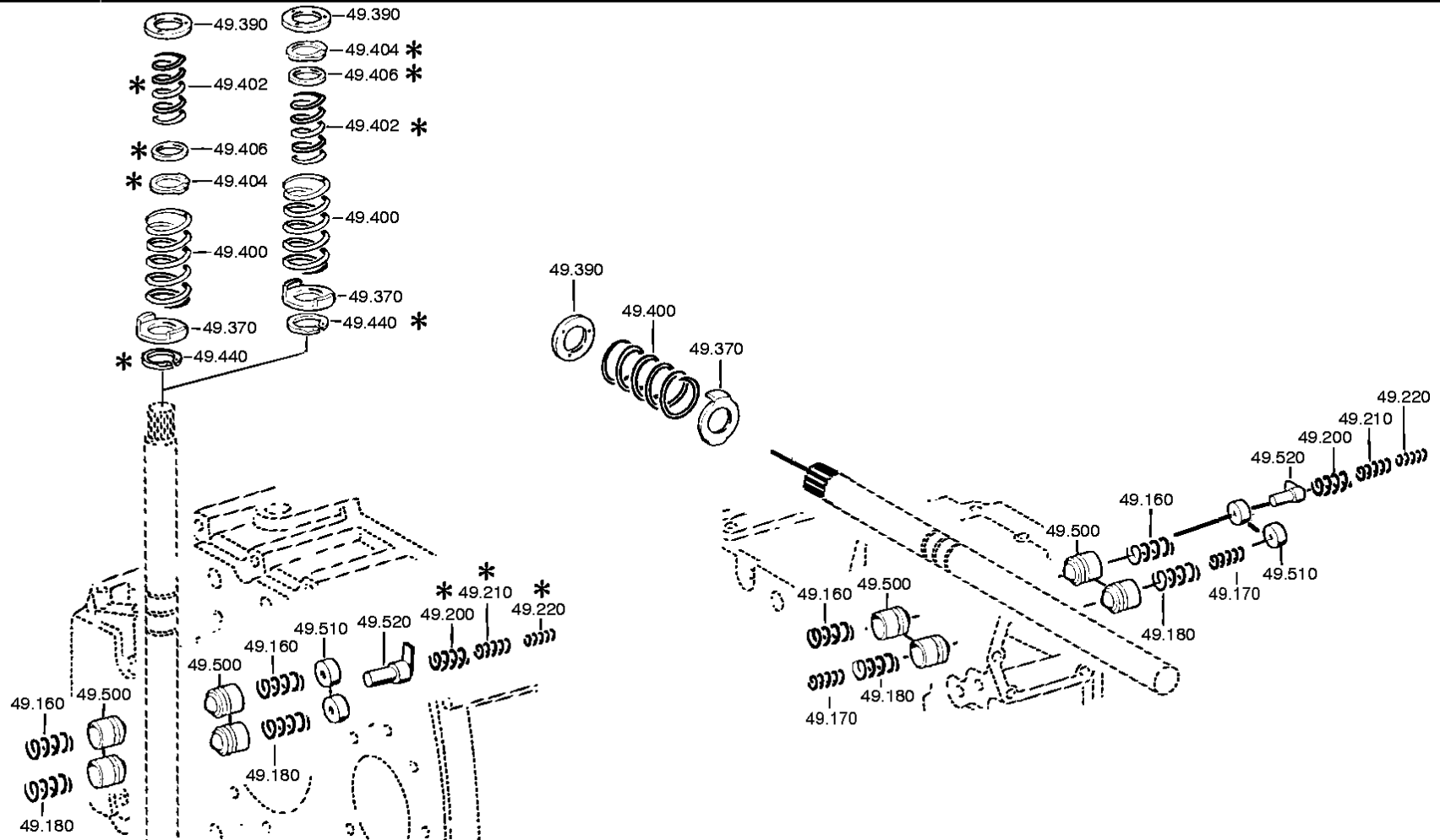
*depending on parts list n°.



parts list: 1295 095 074
figure: 0095 049 001

8S-1350 / OD * LL * D-L H-H * KAMAZ / RUS
SET OF SPRINGS

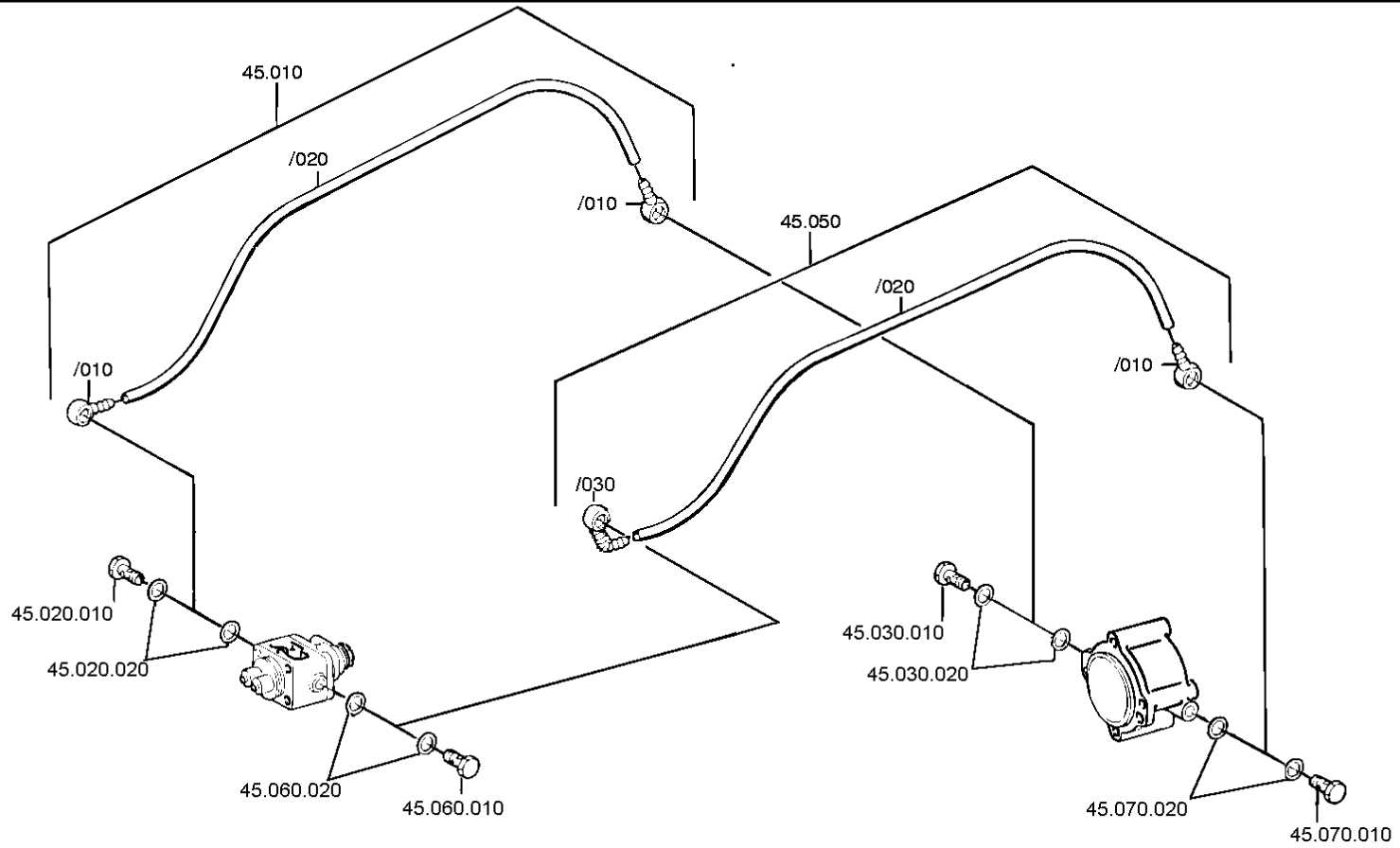
*depending on parts list n°.



parts list: 1295 095 074
figure: 0095 045 001

8S-1350 / OD * LL * D-L H-H * KAMAZ / RUS
RANGE SELECTION

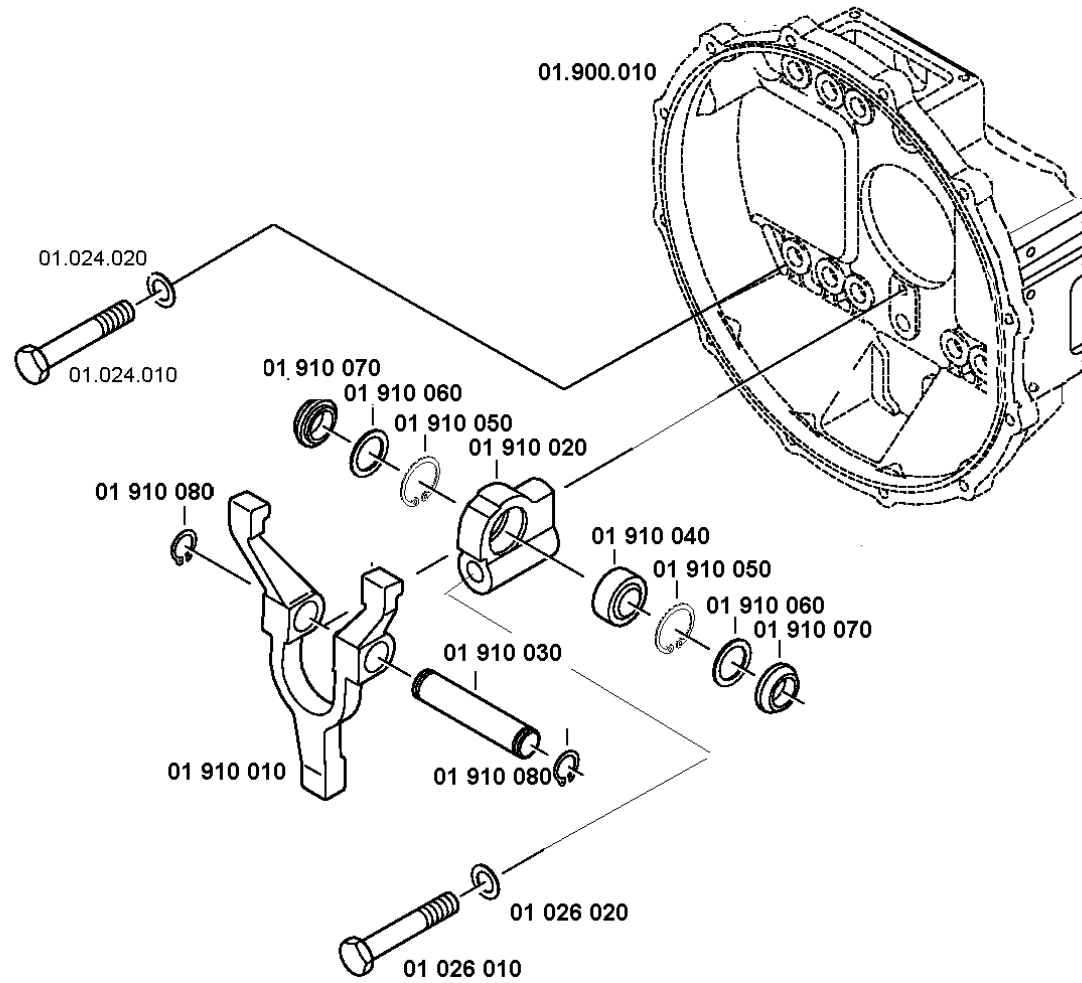
*depending on parts list n°.



parts list: 1295 095 074
figure: 0095 900 001

8S-1350 / OD * LL * D-L H-H * KAMAZ / RUS
CLUTCH HOUSING

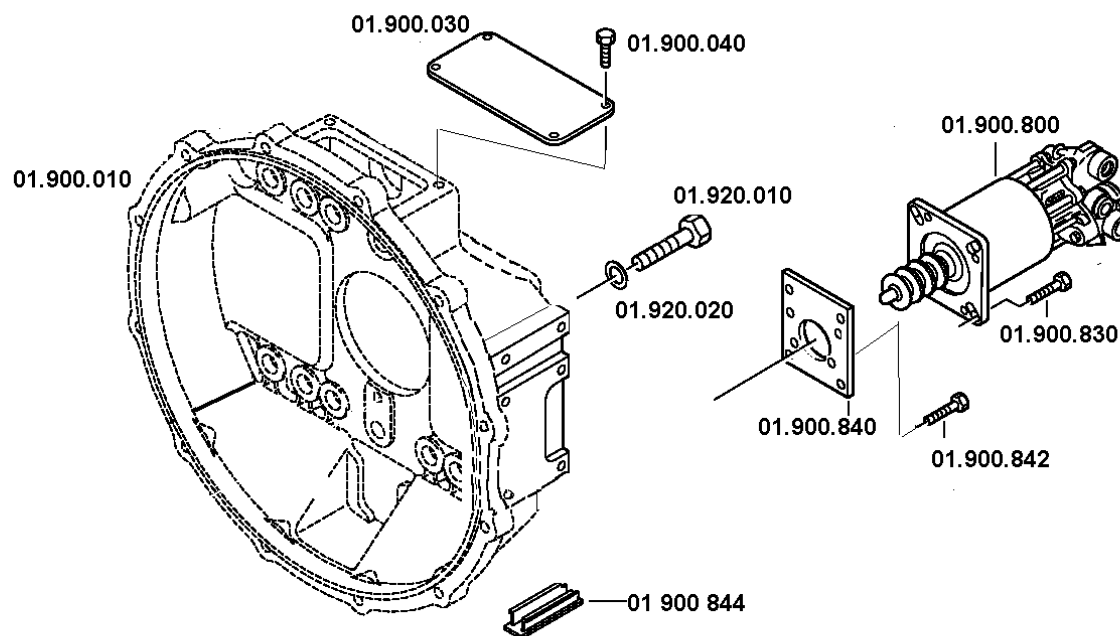
*depending on parts list n°.



parts list: 1295 095 074
figure: 0095 900 002

8S-1350 / OD * LL * D-L H-H * KAMAZ / RUS
CLUTCH HOUSING

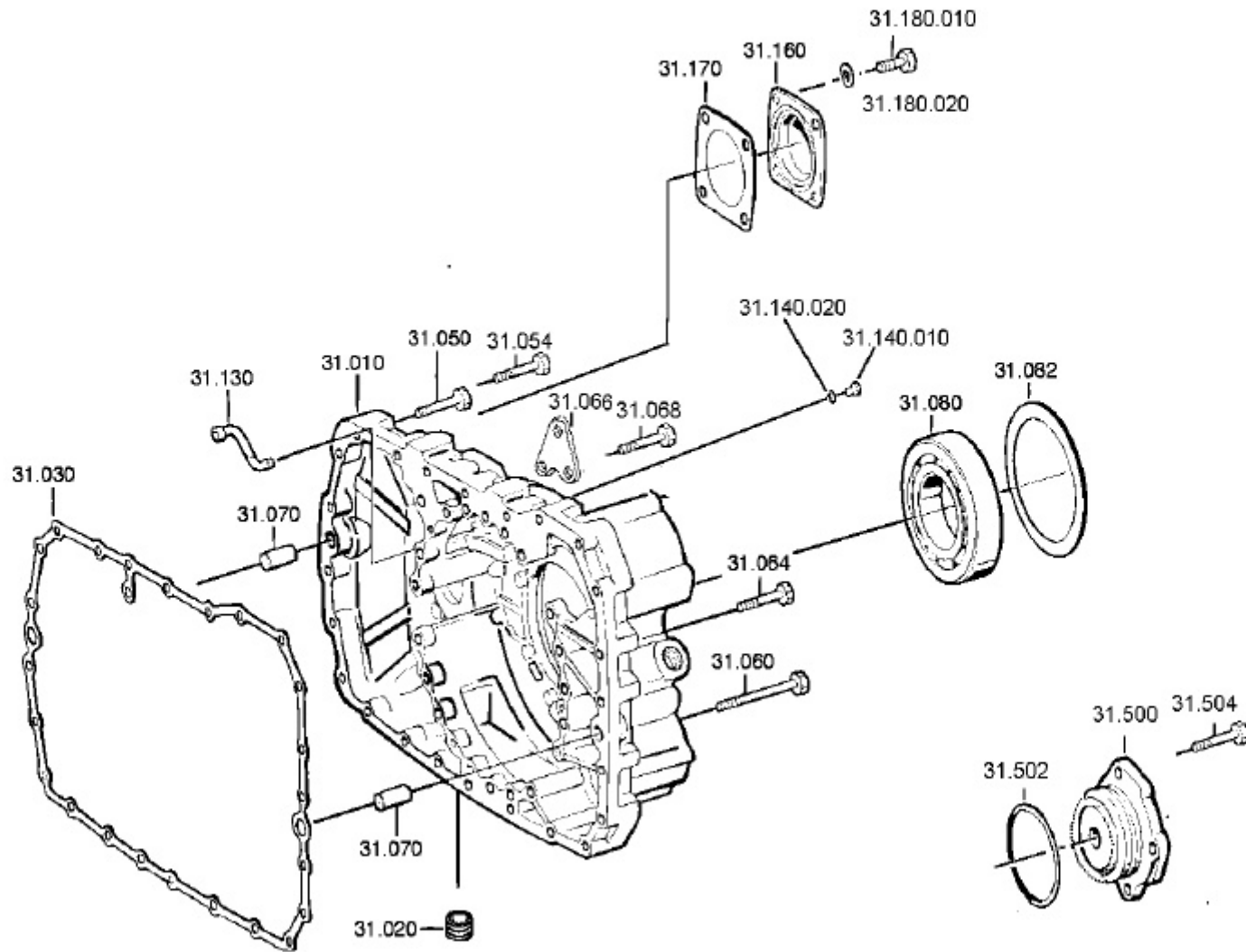
*depending on parts list n°.



parts list: 1295 095 074
figure: 0095 031 001

8S-1350 / OD * LL * D-L H-H * KAMAZ / RUS
GP HOUSING

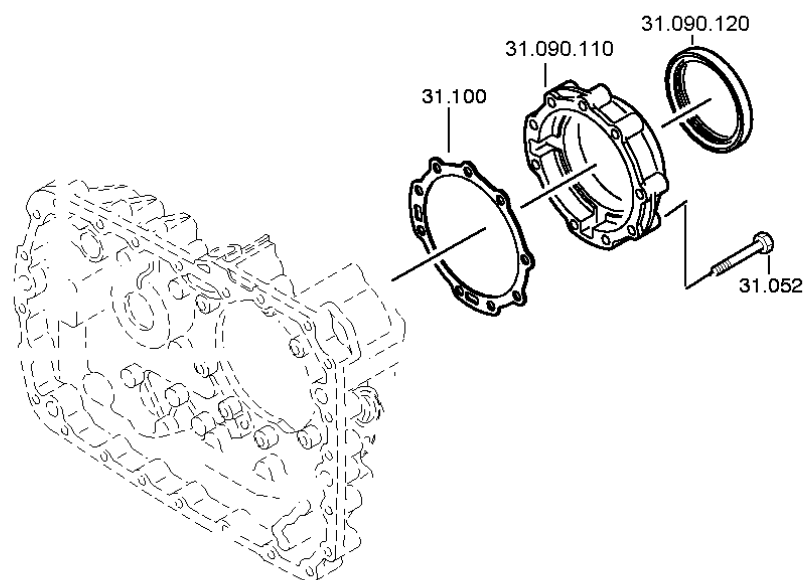
*depending on parts list n°.



parts list: 1295 095 074
figure: 0095 031 002

8S-1350 / OD * LL * D-L H-H * KAMAZ / RUS
COVER

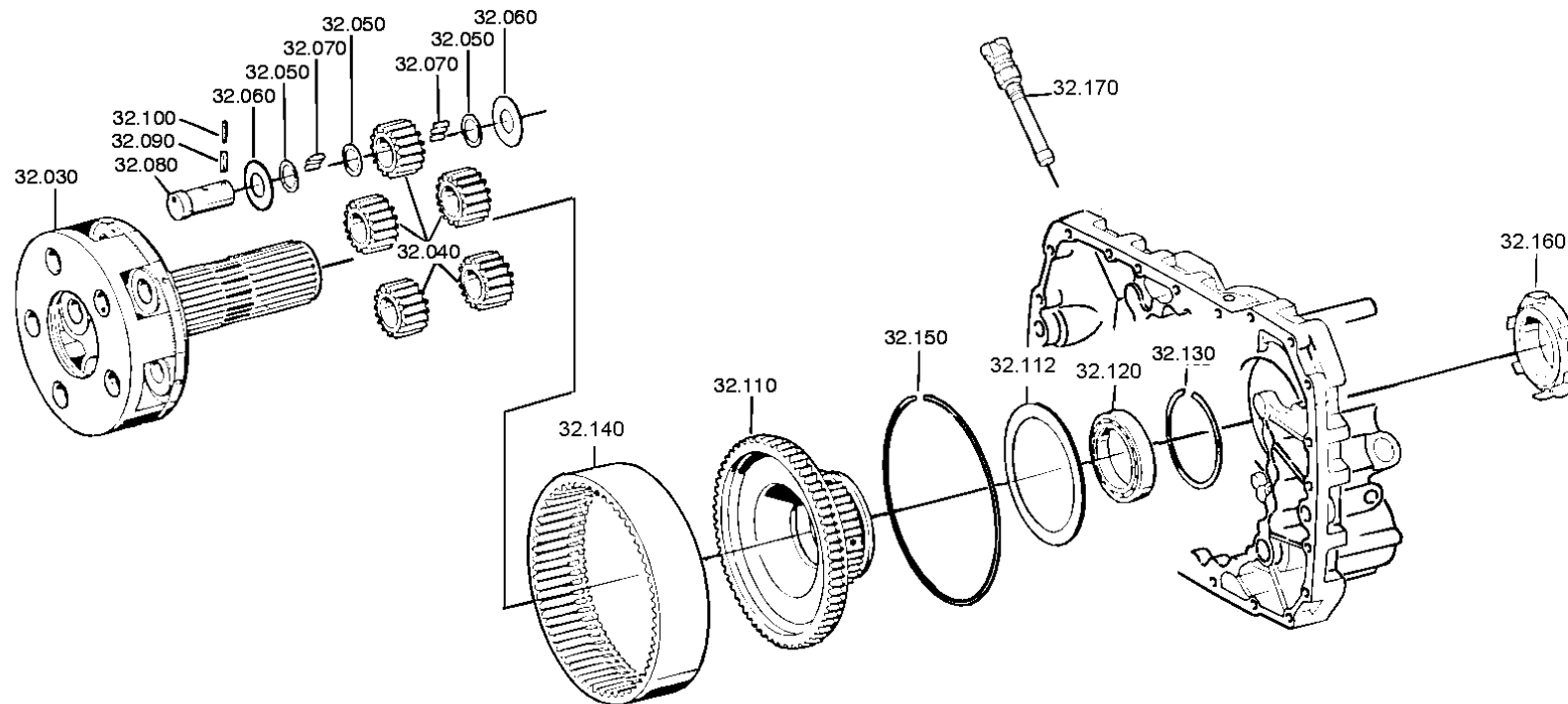
*depending on parts list n°.



parts list: 1295 095 074
figure: 0095 032 001

8S-1350 / OD * LL * D-L H-H * KAMAZ / RUS
PLANETARY DRIVE

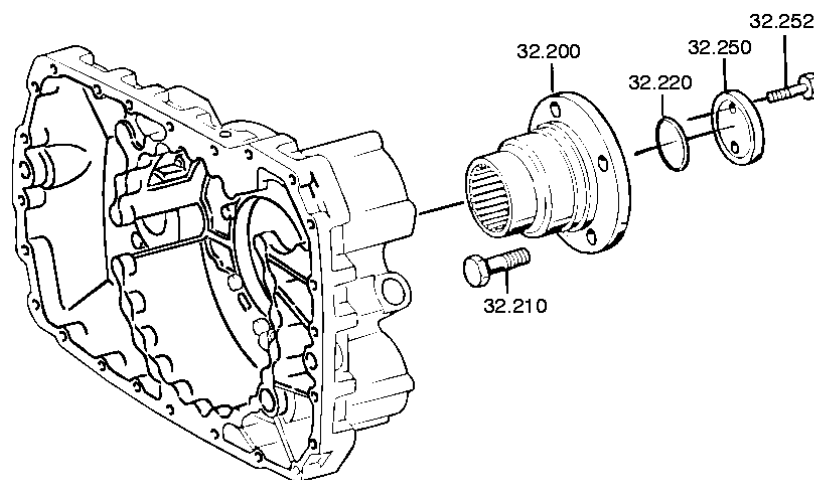
*depending on parts list n°.



parts list: 1295 095 074
figure: 0095 032 002

8S-1350 / OD * LL * D-L H-H * KAMAZ / RUS
PLANETARY DRIVE

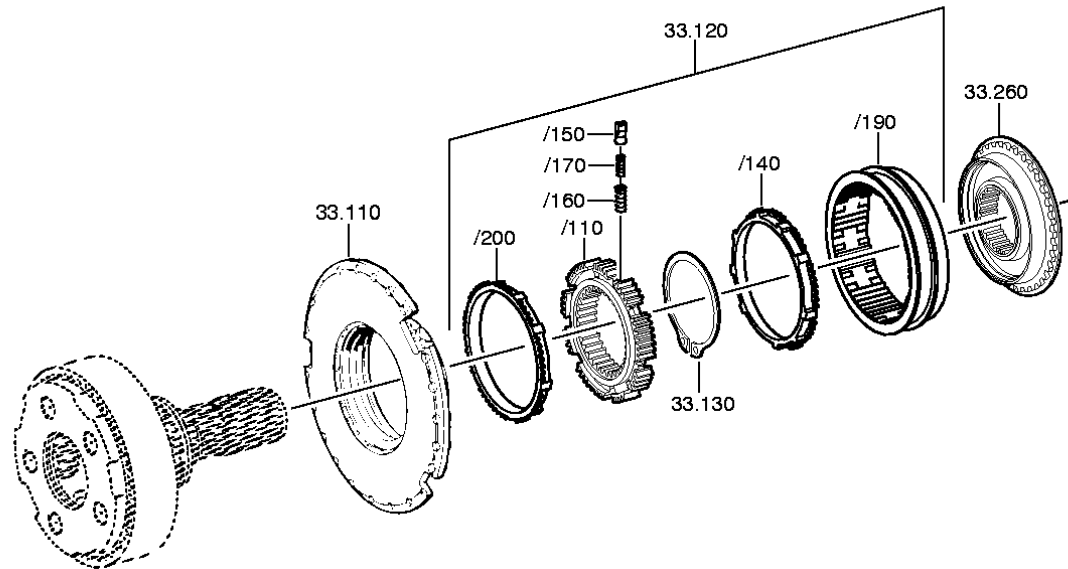
*depending on parts list n°.



parts list: 1295 095 074
figure: 0095 033 001

8S-1350 / OD * LL * D-L H-H * KAMAZ / RUS
SYNCHRONIZER

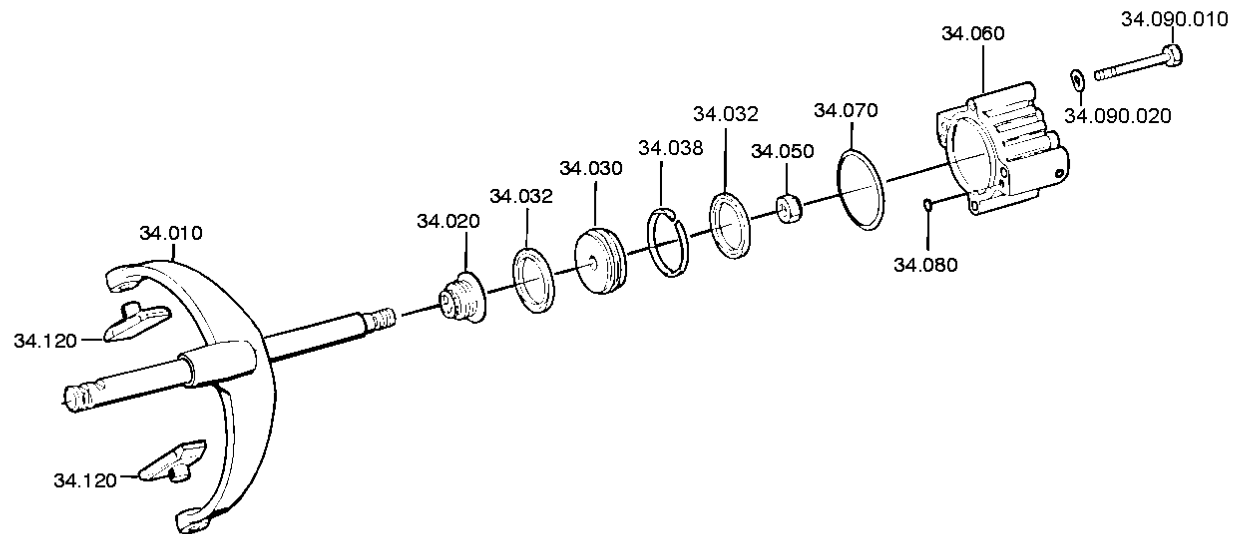
*depending on parts list n°.



parts list: 1295 095 074
figure: 0095 034 001

8S-1350 / OD * LL * D-L H-H * KAMAZ / RUS
GP SHIFT SYSTEM

*depending on parts list n°.



parts list: 1295 095 074
figure: 0095 034 002

8S-1350 / OD * LL * D-L H-H * KAMAZ / RUS
CONN.PARTS

*depending on parts list n°.

