



Spare Parts Catalog

9 S 75 PTO

Material number: 1308.030.059

Current date: 05.06.2018

ZF Friedrichshafen AG
Hauptverwaltung
80038 Friedrichshafen
Deutschland

Telefon: +49 7541 77-0

Telefax: +49 7541 77-908000

www.zf.com

zuständiges Werk:
Friedrichshafen

Notes relating to the spare parts catalog

Setup of the spare parts catalog

- Cover sheet
- Technical Cover (only in SDM print)
- Overview of figures
- Figure
- Associated parts list
- Next figure
- Associated parts list
- ...

Figure and parts list



Overview of figures

Bildtafel Figure	Sachnummer Product number	Benennung (Description)	Technische Info Technical info	Description (Benennung)	Menge Quantity	Einheit Unit
068.08.17	1316.170.001	AUSLEGER	WL	SHIFT TURRET	1	Stk
068.08.06	1316.170.031	DECKEL	WL*H-H *VM	COVER	1	Stk
068.08.14	1316.170.808	DECKEL	WL*AUSL+GEH*H-H*HF160N	COVER	1	Stk
08	1316.170.441	ANSCHLUSSTEILE	WL*NG-VORB*RG-SCHL*168N *BAJONETT	CONNECTING PARTS	1	Stk

The "gap" indicates that there is no separate graphics panel (poster) for this assembly
The parts of this assembly are shown with the same mid-section number on the figure

1 Positions and subpositions

Pos.	Sachnummer Product number	Benennung (Description)	Technische Info Technical info	Description (Benennung)	Menge Quantity	Einheit Unit
0370	1315.201.054	RUECKLAUFBOLZEN	KPL.16S151*SG*L= 79	REV.IDLER SHAFT	1	Stk
/0120	0631.329.293	SPANNSTIFT		SLOT. PIN	1	Stk

Positions marked with "/" are the individual items of a completion
For example: Position 0370 contains a centering pin with the position /0120

2 Combinations with standardized parts

Pos.	Sachnummer Product number	Benennung (Description)	Technische Info Technical info	Description (Benennung)	Menge Quantity	Einheit Unit
0630		VERSCHL.SCHR.		SCREW PLUG	1	Stk
	0636.302.067	VERSCHL.SCHR.		SCREW PLUG	1	Stk
	0634.801.249	DICHTRING	A 26 X 31	SEALING RING	1	Stk

The parts list shows the components included in the combination of standardized parts

3 Depiction of position/item number on the figure and in the parts list

01.620 - on the figure 01 relates to the assembly in which the position is included. Due to program-related reasons, it is shown on the figure.

0620 - in the parts list

Pos.	Sachnummer Product number	Benennung (Description)	Technische Info Technical info	Description (Benennung)	Menge Quantity	Einheit Unit
0620	0732.040.736	DRUCKFEDER		COMPRESSION SPRING	1	Stk

4 *-Positions

Positions marked with an * are optional i.e. inclusion in the parts list is not mandatory.
The following note is shown on the figure

je nach Stücklistenausführung
depending on spec. number
*
suivant la nomenclature
secondo la distinta base

5 Parts, dotted display

Parts with dotted display on the figure are only used for orientation of other parts

Technical Cover

Page 1 from 2

Material number: 1308.030.059



9 S 75 PTO /

Pos.	Information	Amendment number
001	Use case -----	
002	Customer Otosan Otomobil Sanayl A.S.	
003	City Kadikoey Istanbul	
004	DUNS	
005	Vehicle / Apparatus -----	
006	Sales Name 2524	
007	Manufacturer Otosan Otomobil Sanayl A.S.	
008	Engineering Name	
009	Product Use TRUCK	
010	Vehicle/Hardware Type DUMPER	
011	SOP	
012	Engine	
013	Sales Designation	
014	Manufacturer FORD	
015	Eng.Displ.	
016	Cylinder	
017	Nom. power 176 kW	
018	RPM at nom. power 2500 1/min	
019	Nom. torque 840 Nm	
020	RPM at nom. torque 1200 1/min	
021	Classification use case -----	
022	APPROVAL NOTE 1 ERSTEINBAU*UEBERPRUEFUNG ERFORDERLICH	
024	DESIGNATION, CLUTCH 395	
025	MANUFACTURER, CLUTCH VALEO	
026	TOTAL NUMBER OF WHEELS 6	
027	NUMBER OF DRIVING WHEELS 2	
028	DYNAMIC TYRE RADIUS 526 mm	
029	REAR AXLE RATIO 4.56	
033	PERMISS.GROSS VEHICLE WEIGHT 26 t	
035	Product description -----	
036	DESIGN PTO J32 NH 1 C	
039	SWITCHING TYPE PTO J32 PNEUMATIC INTEGRATED	
040	POSITION PTO J32 CENTRAL	

Technical Cover

Page 2 from 2

Material number: 1308.030.059



9 S 75 PTO /

Pos.	Information	Amendment number
042	POSITION SWITCH PTO J32 X	
044	NOTE OUTPUT SPEED PTO J32 K32 CONSTANT GEAR	
046	OIL CAPACITY, GEARBOX 9.7 dm3	
047	OIL FILL VARIANT WITHOUT GROOVE	
048	OIL GRADE PERMISSIBLE ACC. TO TE-ML02	
049	COLOR NOT	
051	CODING OUTER CONSERVATION KA1	
052	SCOPE OUTER CONSERVATION T	
053	CODING INNER CONSERVATION KI1	
054	CONSERVATION SPECIFICATION ZFN 916	
058	Alias ID -----	
059	Otosan Otomobil Sanayi A.S. 3C467001E2B	

Assembly group overview

Page 1 from 1

Material number: 1308.030.059



9 S 75 PTO /

Graphics	Pos.	Material number	Name	Quantity	Amend. no.	Techn. Info.
064.A1.01-1	910	1308.050.192	9 S 75	1		
	912	6090.012.022	NH 1 C	1		
	914	6090.190.108	ACCESSORIES	1		

Plant

Page 1 from 1

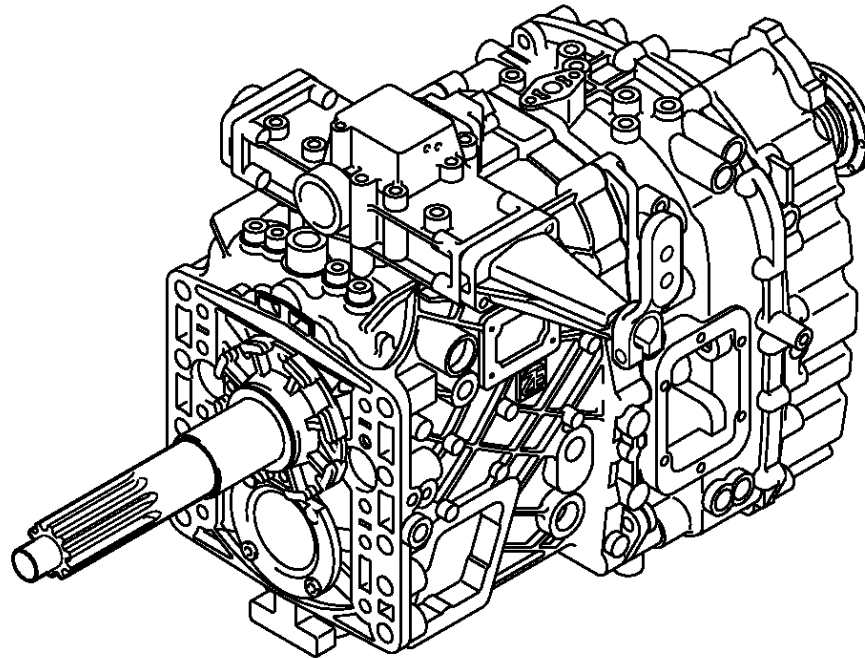
Material number: 1308.030.059

Plant: 064.A1.01-1

Material-assembly-group-no: 1308.050.192



9 S 75 PTO /
9 S 75



Plant

Page 1 from 3

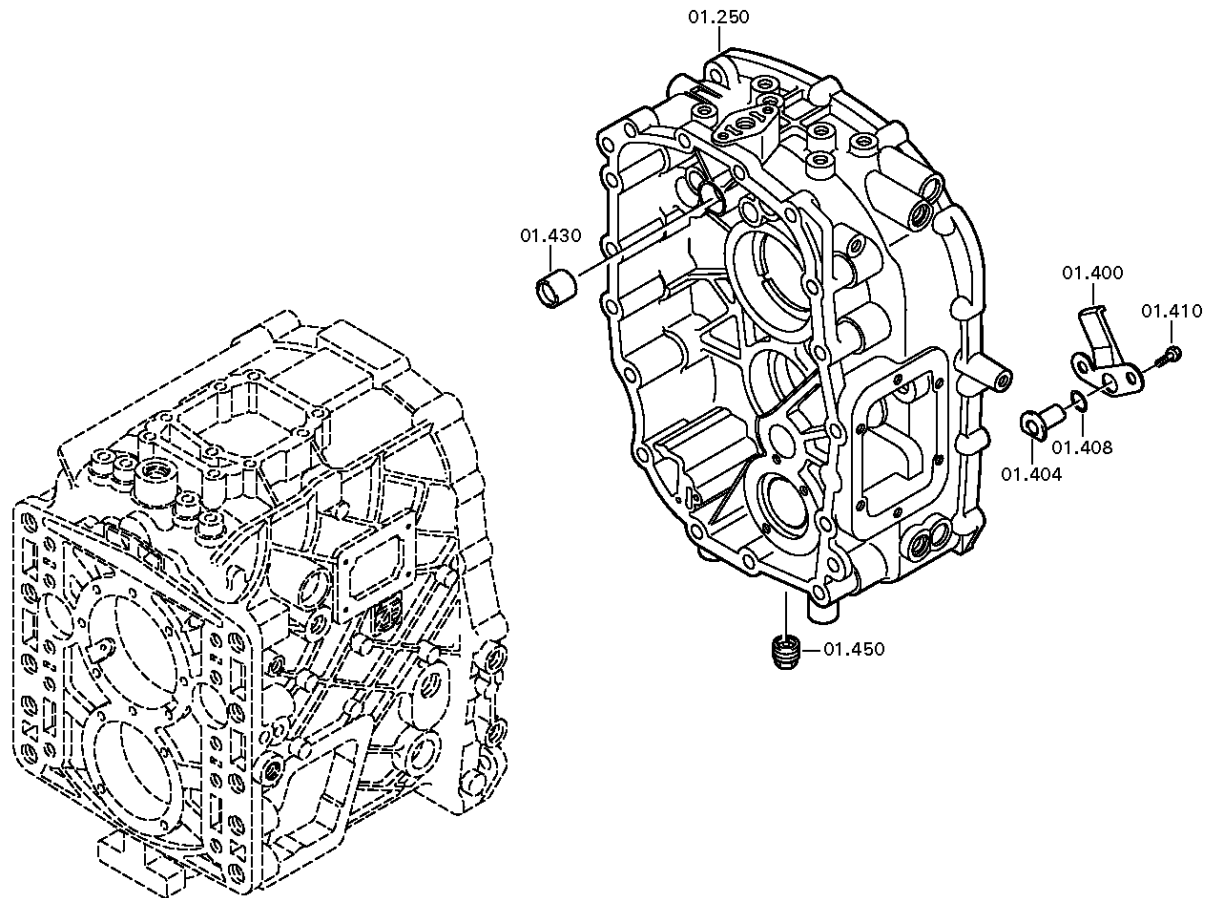
Material number: 1308.050.192

Plant: 064.01.24-1

TRANSMISSION HOUSING



9 S 75 PTO /
TRANSMISSION HOUSING



Plant

Page 2 from 3

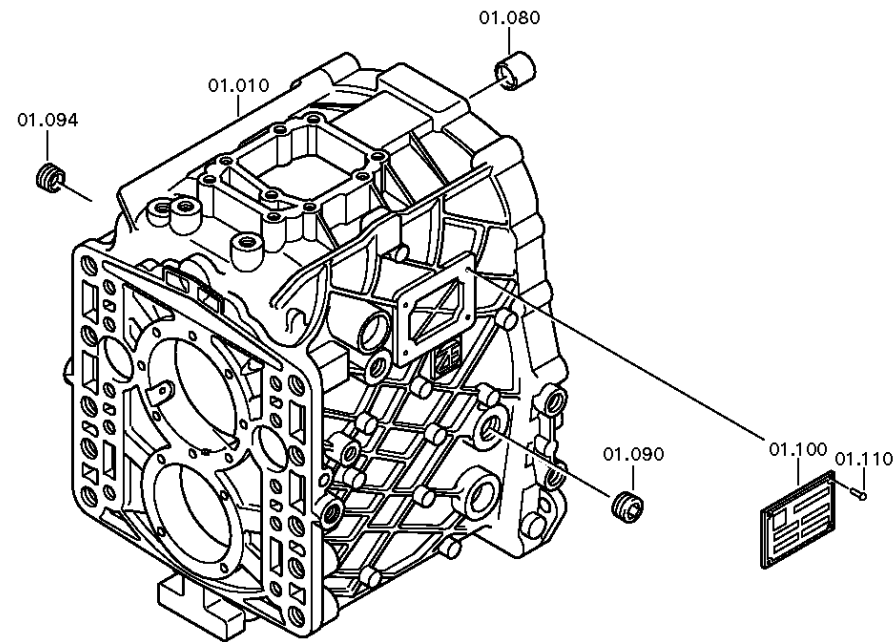
Material number: 1308.050.192

Plant: 064.01.03-1

TRANSMISSION HOUSING



9 S 75 PTO /
TRANSMISSION HOUSING



Plant

Page 3 from 3

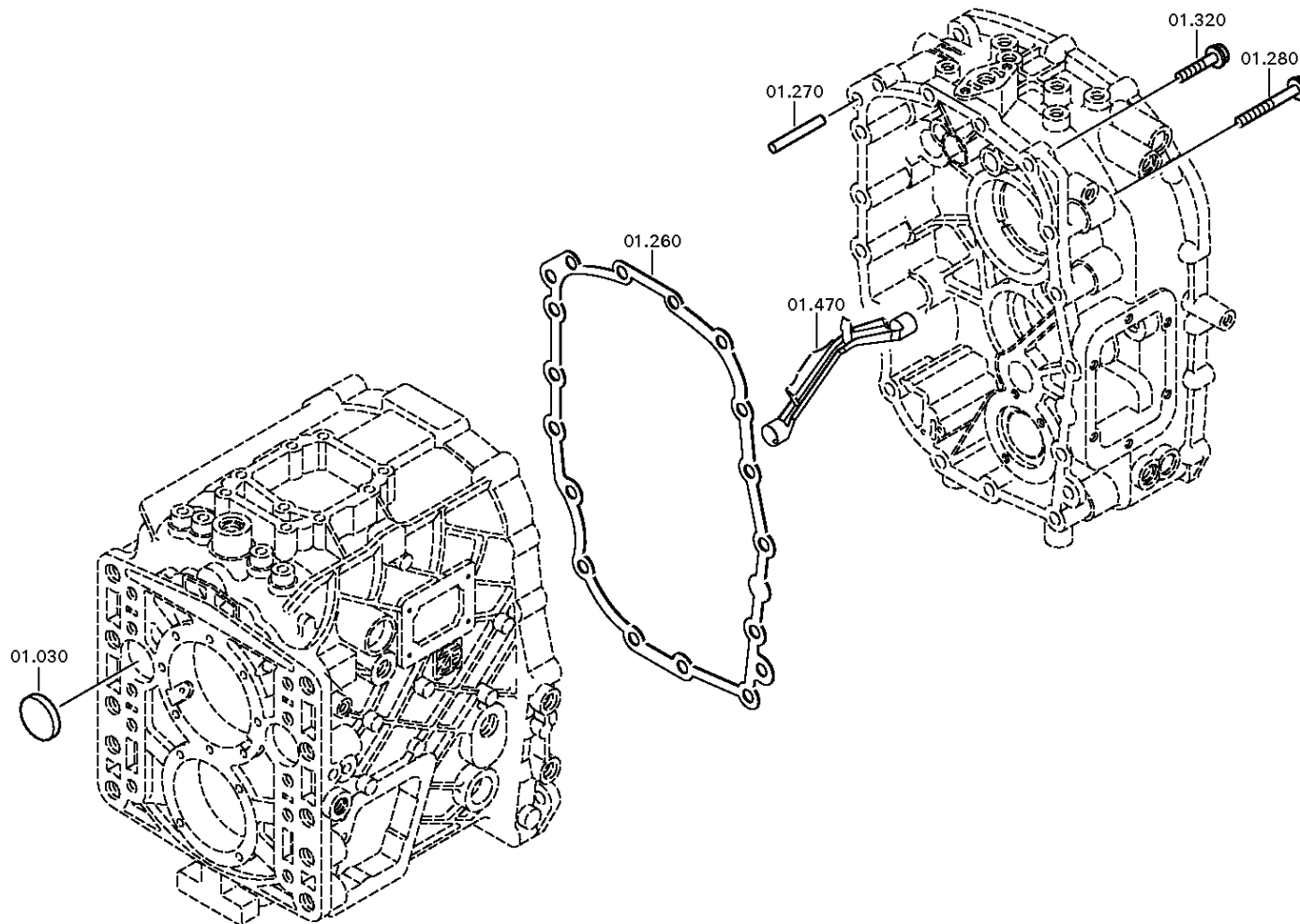
Material number: 1308.050.192

Plant: 064.01.80-1

TRANSMISSION HOUSING



9 S 75 PTO /
TRANSMISSION HOUSING



Plant

Page 1 from 3

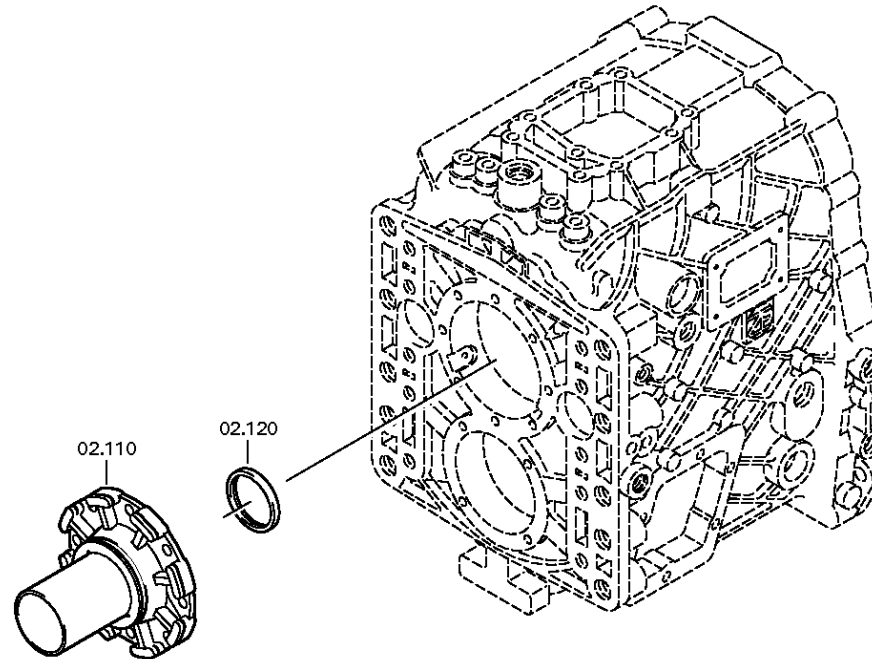
Material number: 1308.050.192

Plant: 064.02.40-1

CONNECTION PLATE



9 S 75 PTO /
CONNECTION PLATE



Plant

Page 2 from 3

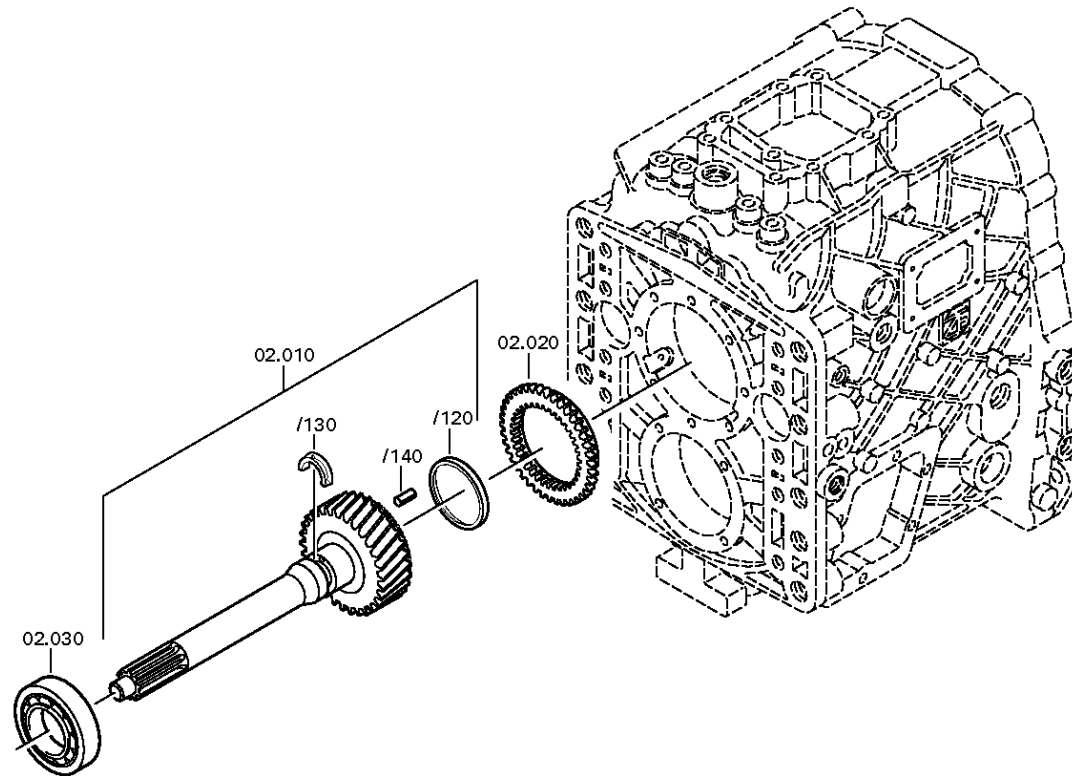
Material number: 1308.050.192

Plant: 064.02.03-1

CONNECTION PLATE



9 S 75 PTO /
CONNECTION PLATE



Plant

Page 3 from 3

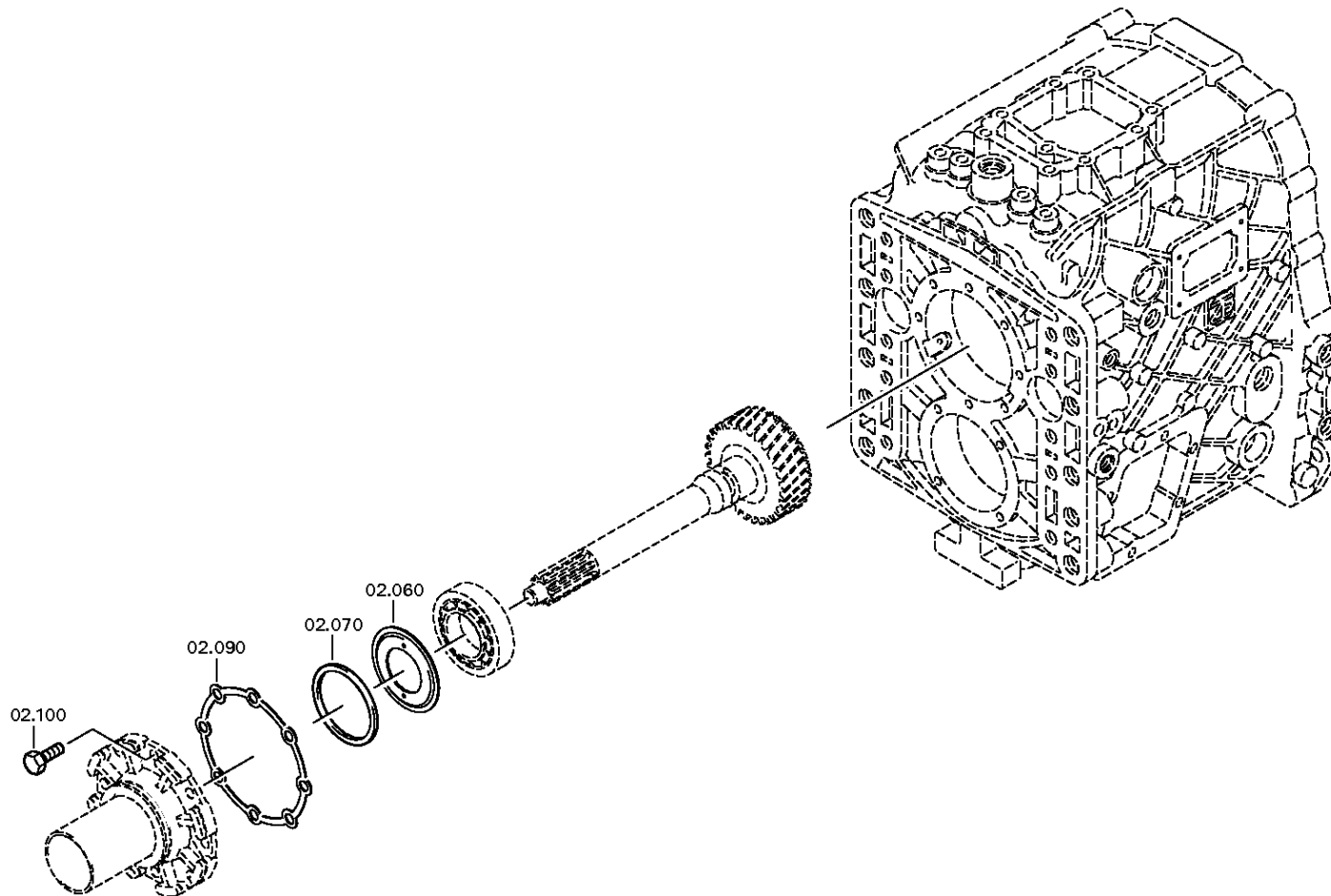
Material number: 1308.050.192

Plant: 064.02.80-1

CONNECTION PLATE



9 S 75 PTO /
CONNECTION PLATE



Plant

Page 1 from 2

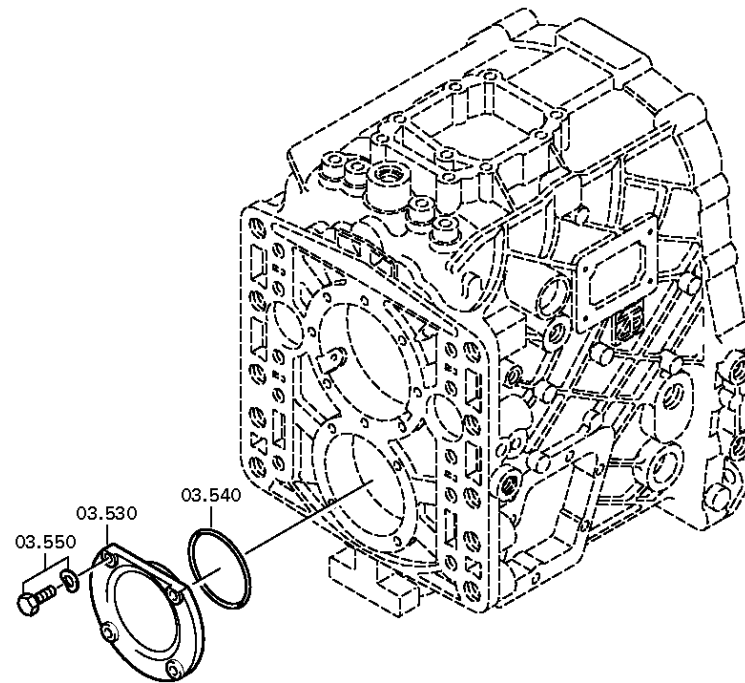
Material number: 1308.050.192

Plant: 064.03.80-1

COUNTERSHAFT



9 S 75 PTO /
COUNTERSHAFT



Plant

Page 2 from 2

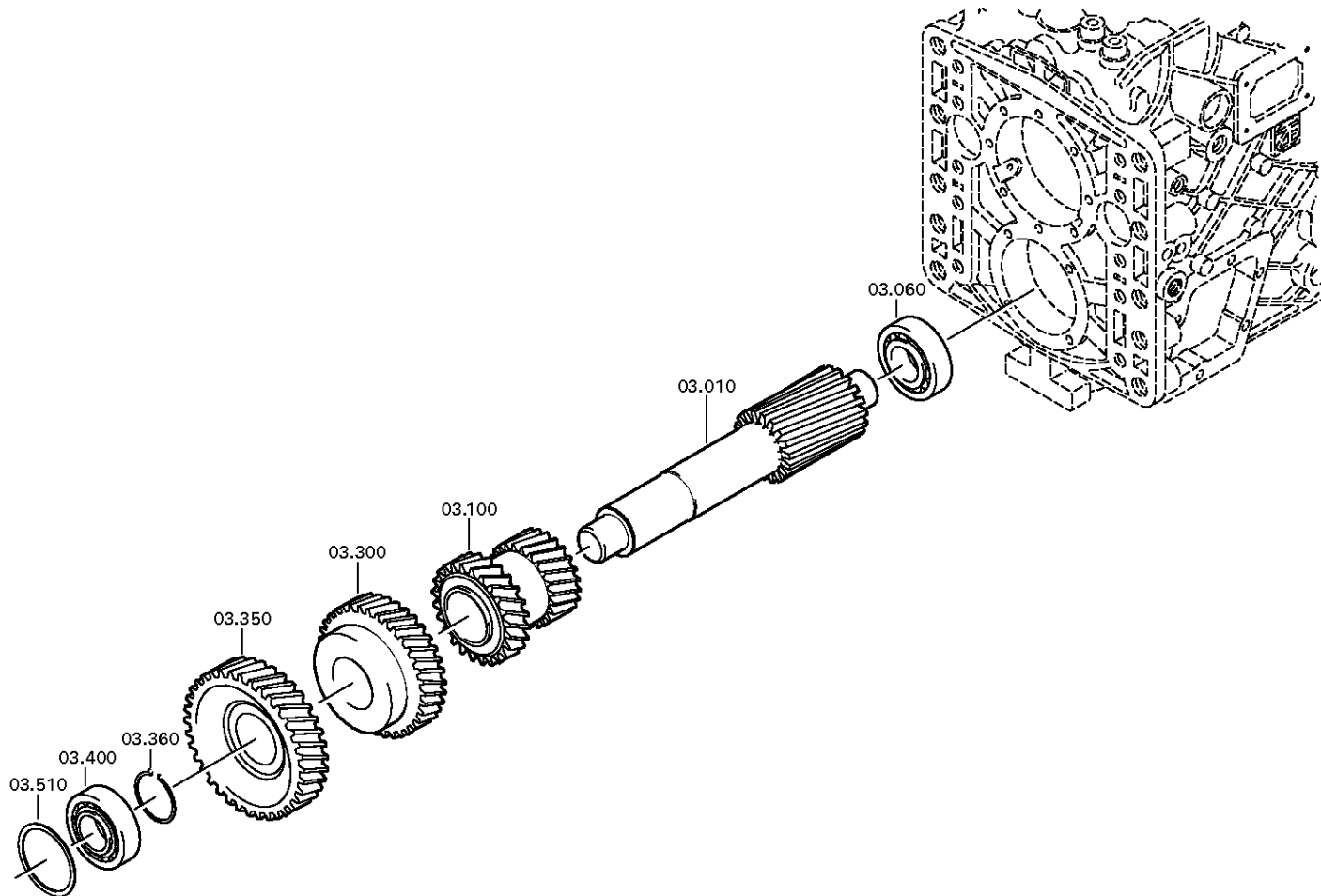
Material number: 1308.050.192

Plant: 064.03.01-1

COUNTERSHAFT



9 S 75 PTO /
COUNTERSHAFT



Plant

Page 1 from 2

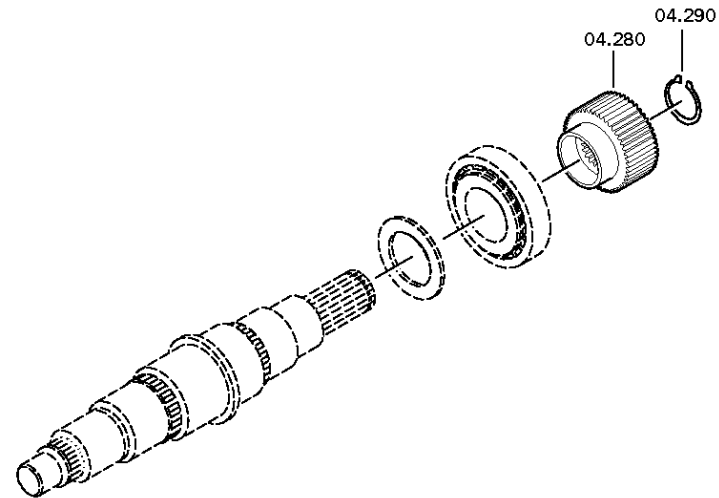
Material number: 1308.050.192

Plant: 064.04.80-1

MAIN SHAFT



9 S 75 PTO /
MAIN SHAFT



Plant

Page 2 from 2

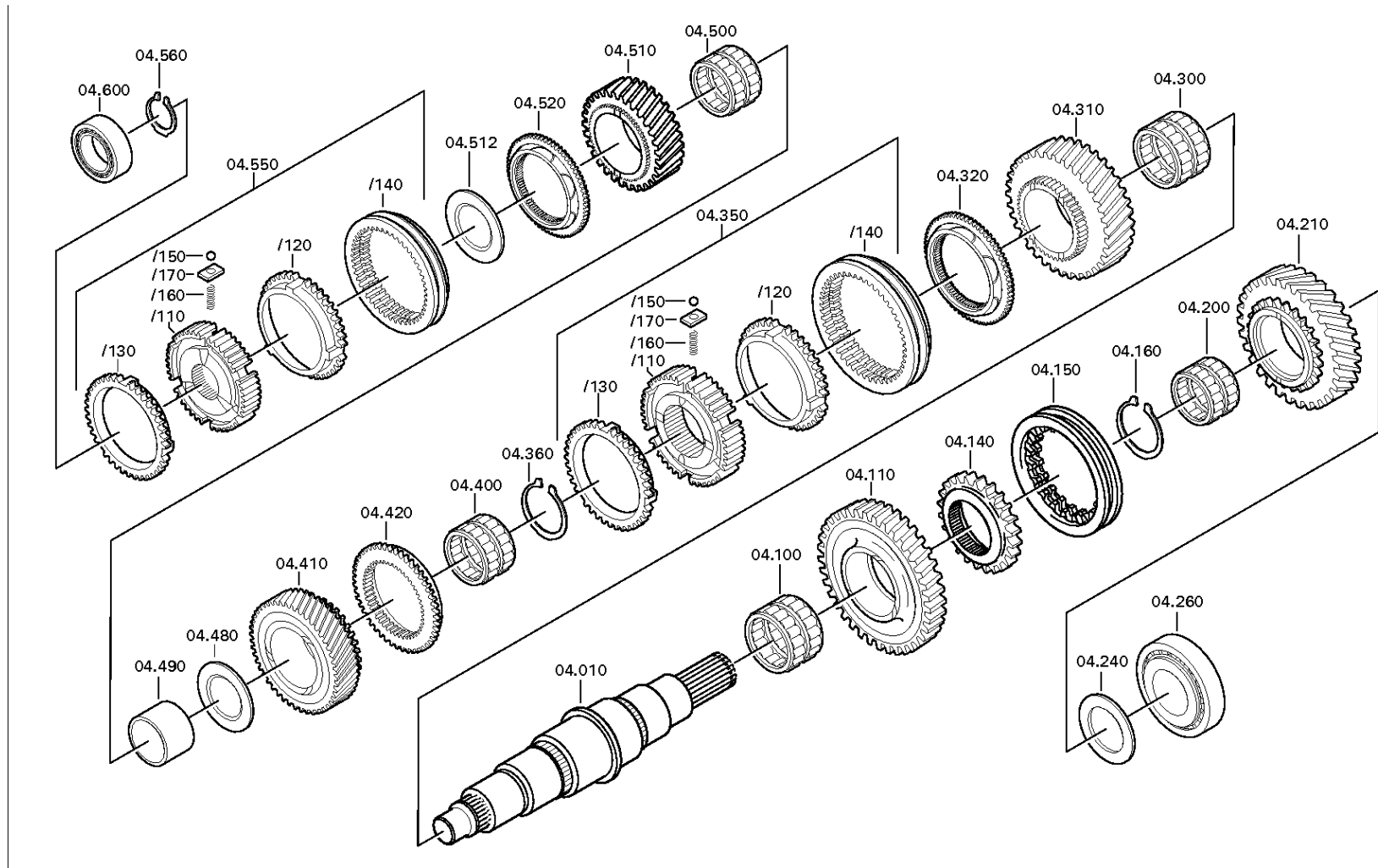
Material number: 1308.050.192

Plant: 064.04.01-1

MAIN SHAFT



9 S 75 PTO /
MAIN SHAFT



Plant

Page 1 from 1

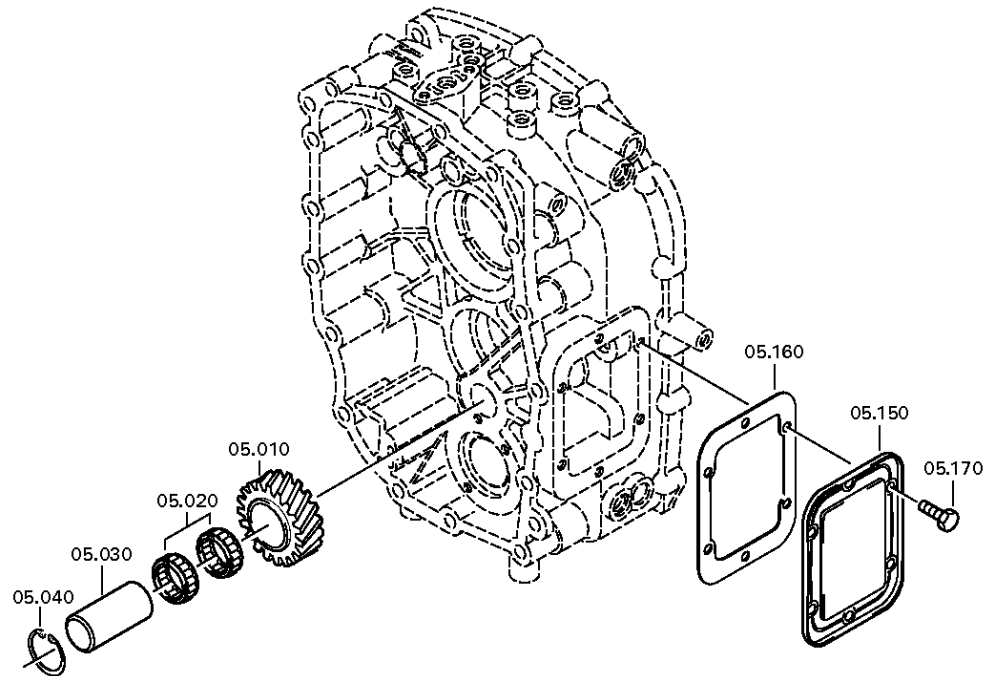
Material number: 1308.050.192

Plant: 064.05.02-1

Material-assembly-group-no: 1308.105.008



9 S 75 PTO /
RETURN



Plant

Page 1 from 2

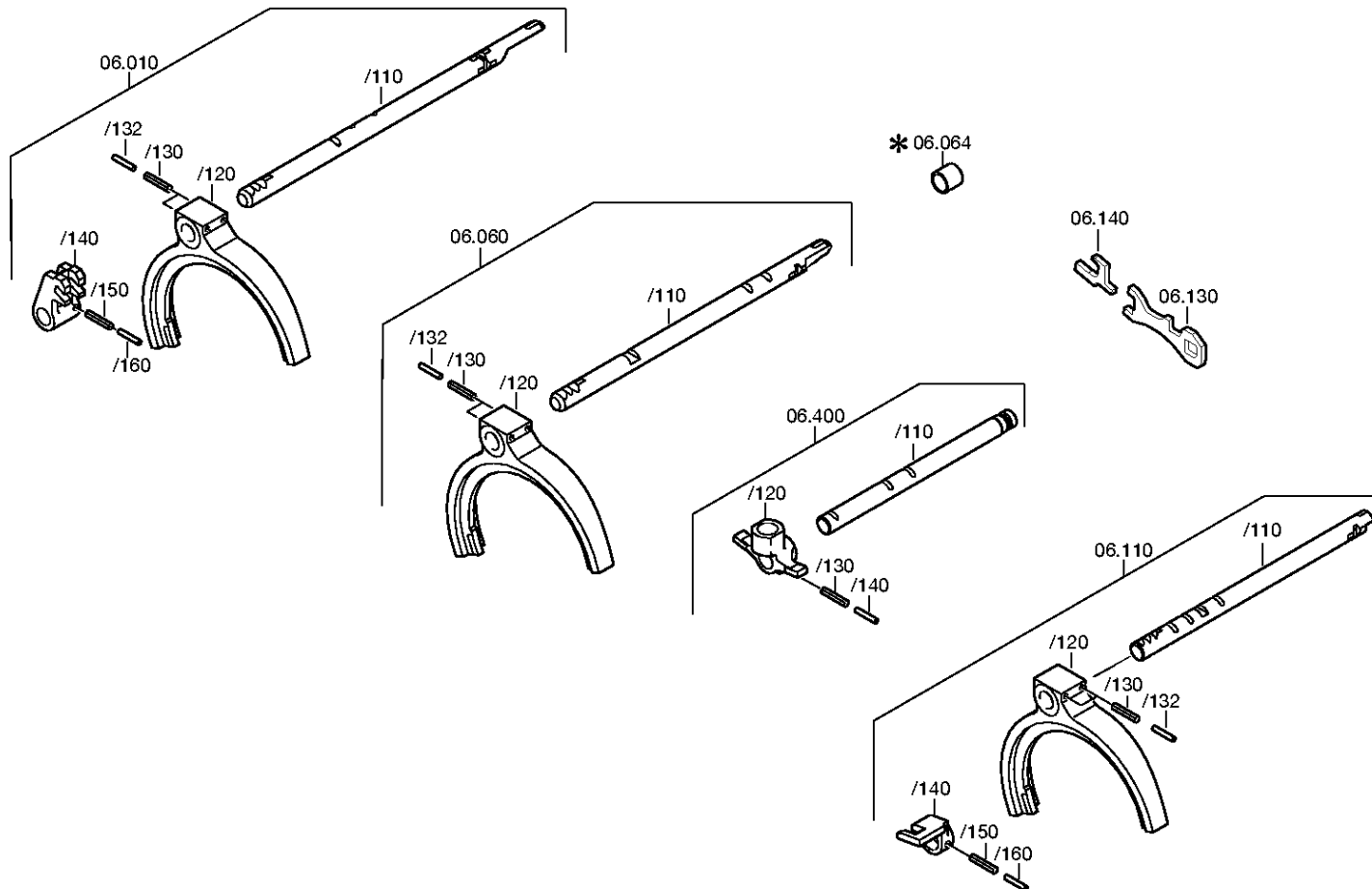
Material number: 1308.050.192

Plant: 064.06.10-1

SHIFT SYSTEM



9 S 75 PTO /
SHIFT SYSTEM



Plant

Page 2 from 2

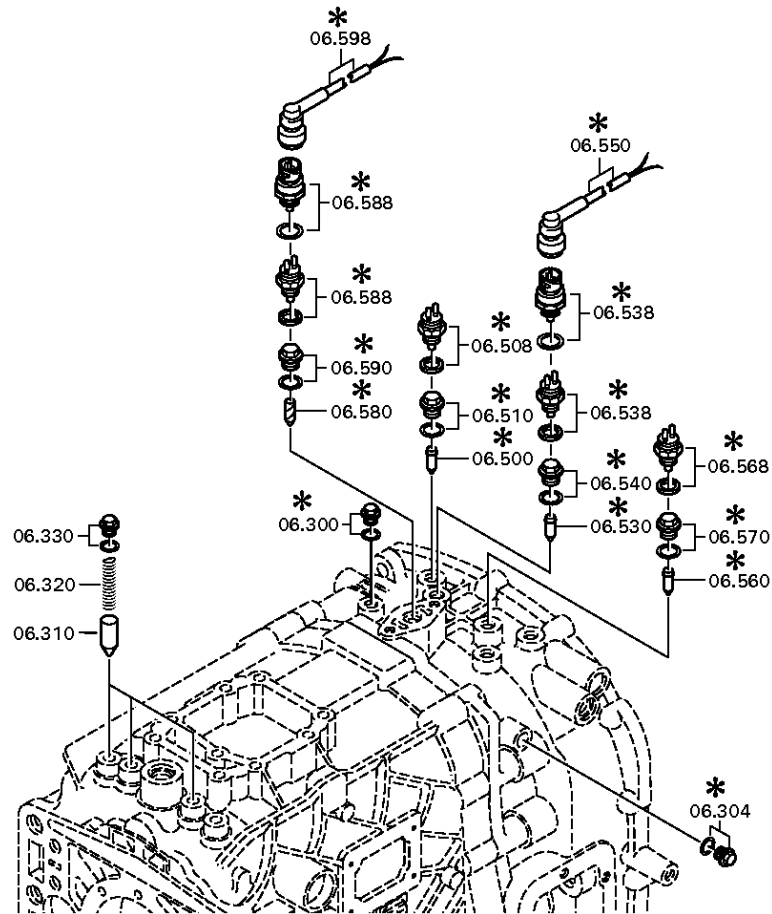
Material number: 1308.050.192

Plant: 064.06.40-1

SHIFT SYSTEM



9 S 75 PTO /
SHIFT SYSTEM



Plant

Page 1 from 1

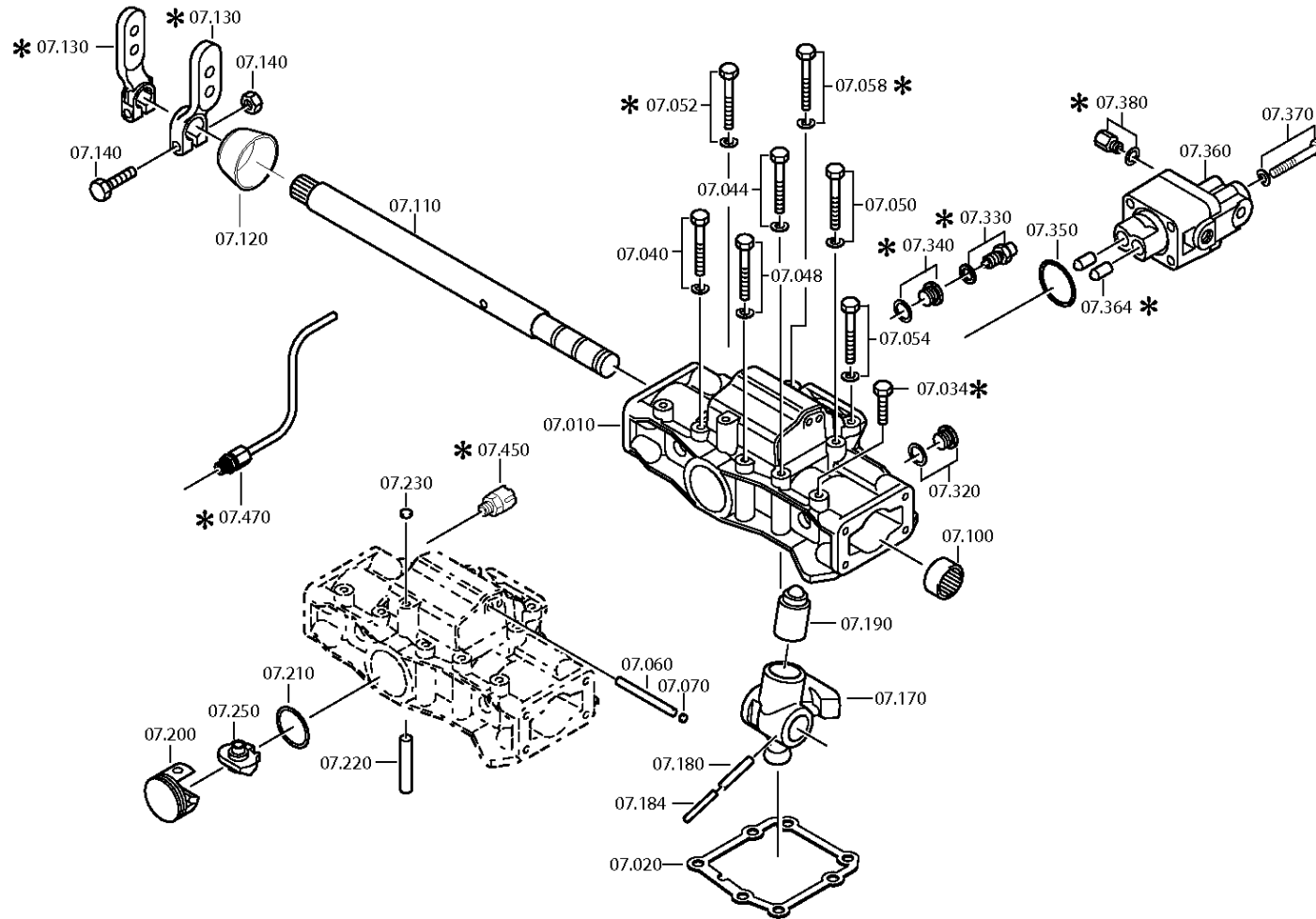
Material number: 1308.050.192

Plant: 064.07.14-1

GEARSHIFT SHAFT



9 S 75 PTO /
GEARSHIFT SHAFT



Plant

Page 1 from 2

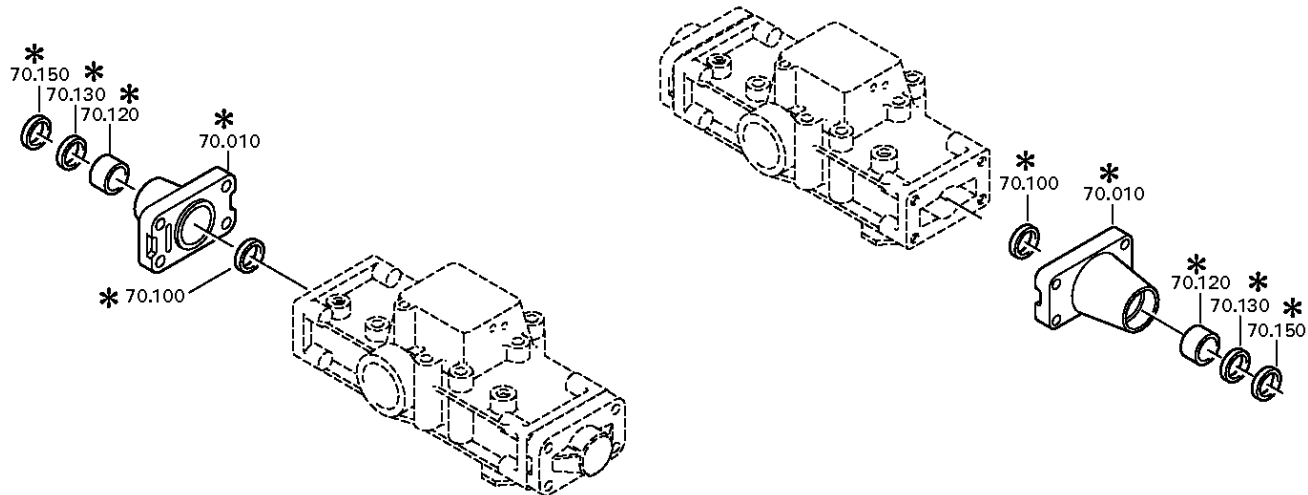
Material number: 1308.050.192

Plant: 064.08.02-1

SHIFT TURRET



9 S 75 PTO /
SHIFT TURRET



Plant

Page 2 from 2

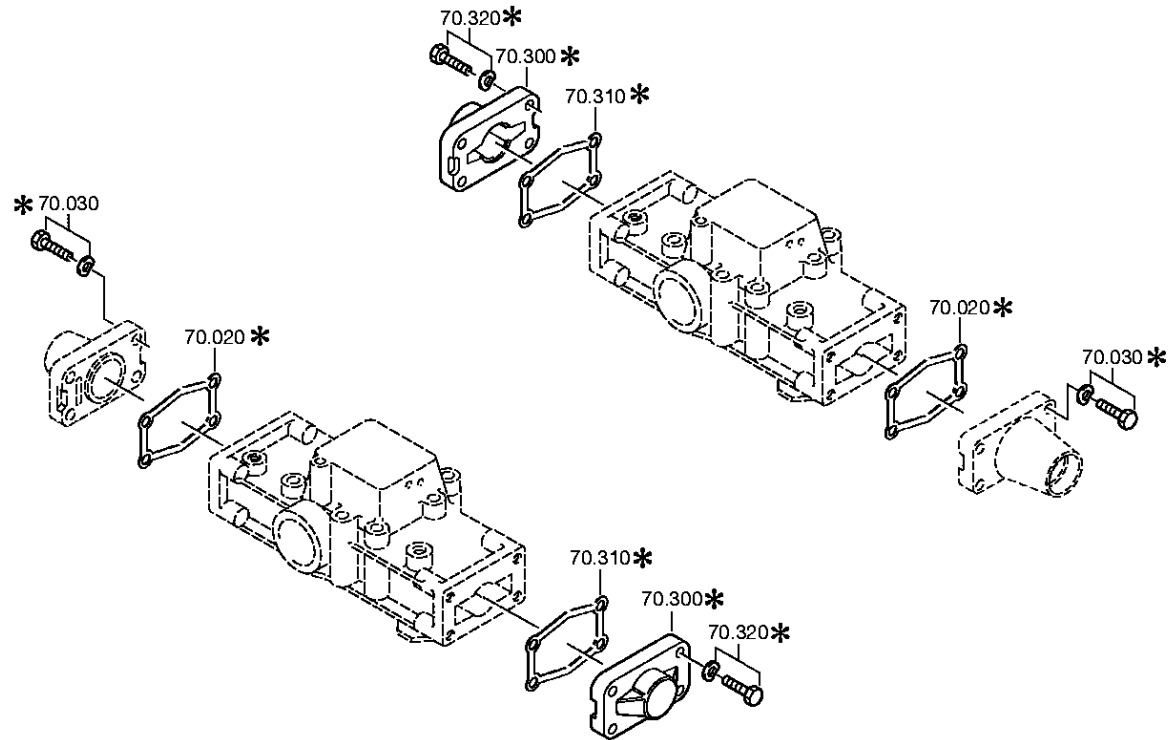
Material number: 1308.050.192

Plant: 064.08.03-1

SHIFT TURRET



9 S 75 PTO /
SHIFT TURRET



Plant

Page 1 from 1

Material number: 1308.050.192

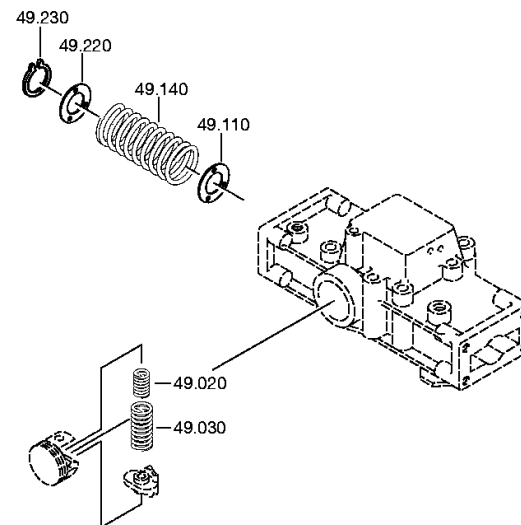
Plant: 064.12.09-1

Material-assembly-group-no: 1308.149.034



9 S 75 PTO /
SET OF SPRINGS

Bildtafel:
Figure: 064.12.09
Figure:
Figura:



Plant

Page 1 from 2

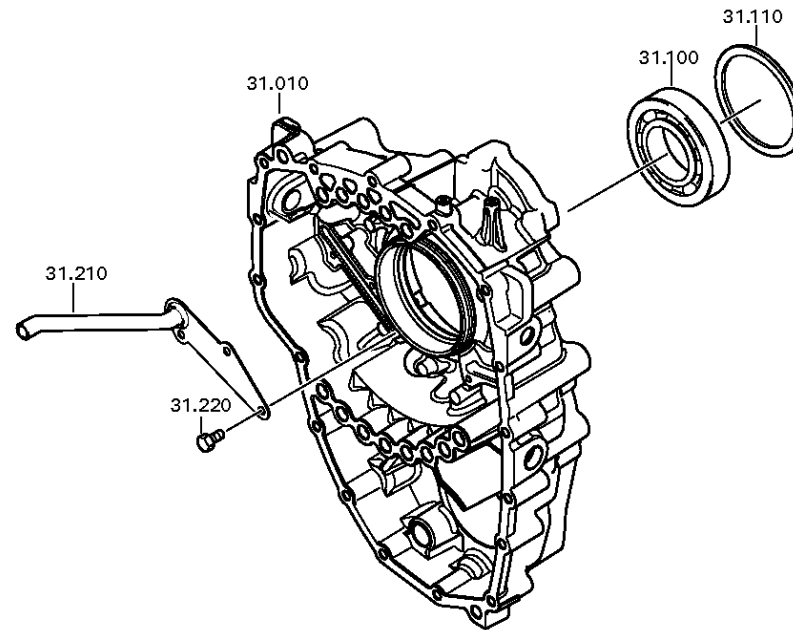
Material number: 1308.050.192

Plant: 064.43.03-1

RC HOUSING



9 S 75 PTO /
RC HOUSING



Plant

Page 2 from 2

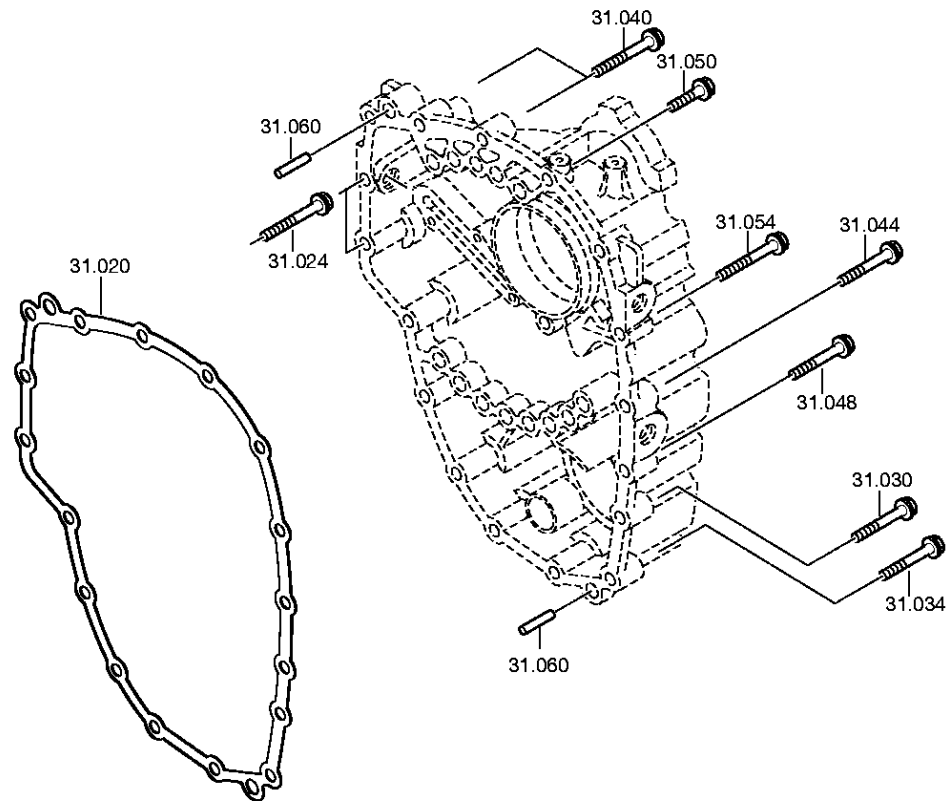
Material number: 1308.050.192

Plant: 064.43.81-1

RC HOUSING



9 S 75 PTO /
RC HOUSING



Plant

Page 1 from 2

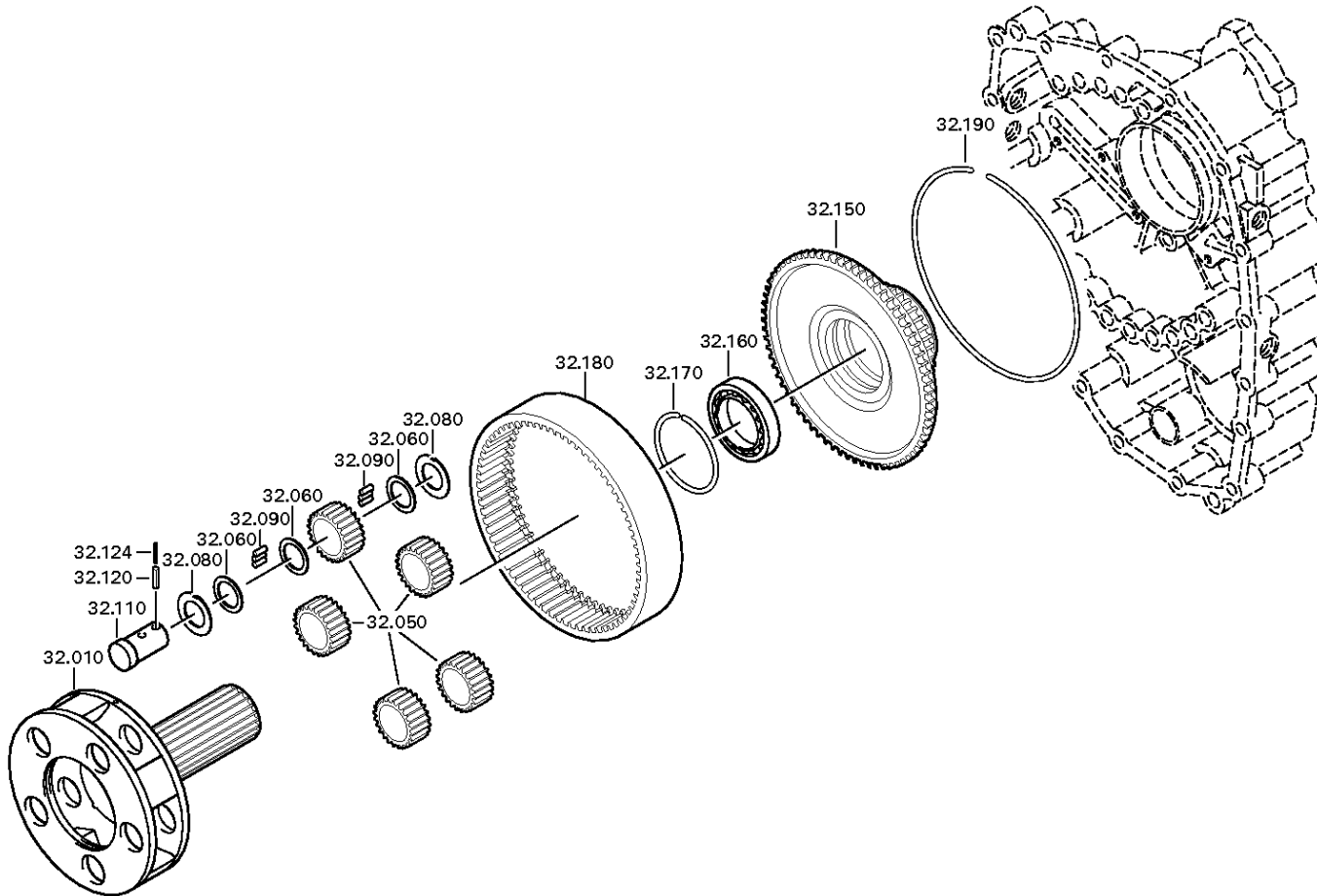
Material number: 1308.050.192

Plant: 064.44.01-1

PLANETARY DRIVE



9 S 75 PTO /
PLANETARY DRIVE



Plant

Page 2 from 2

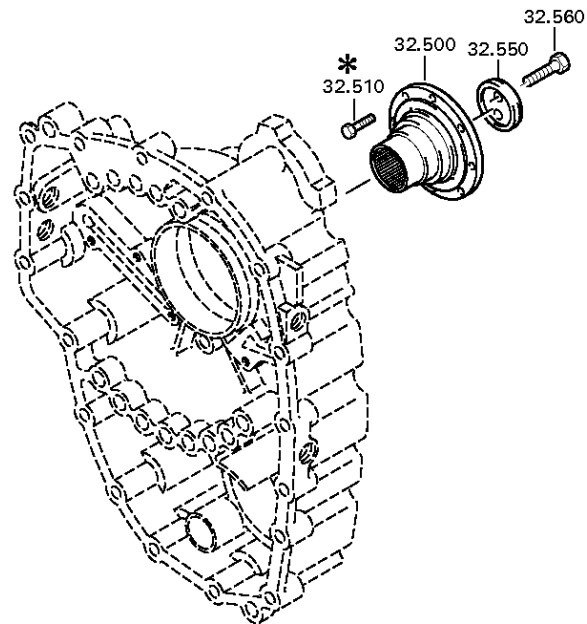
Material number: 1308.050.192

Plant: 064.44.40-1

PLANETARY DRIVE



9 S 75 PTO /
PLANETARY DRIVE



Plant

Page 1 from 2

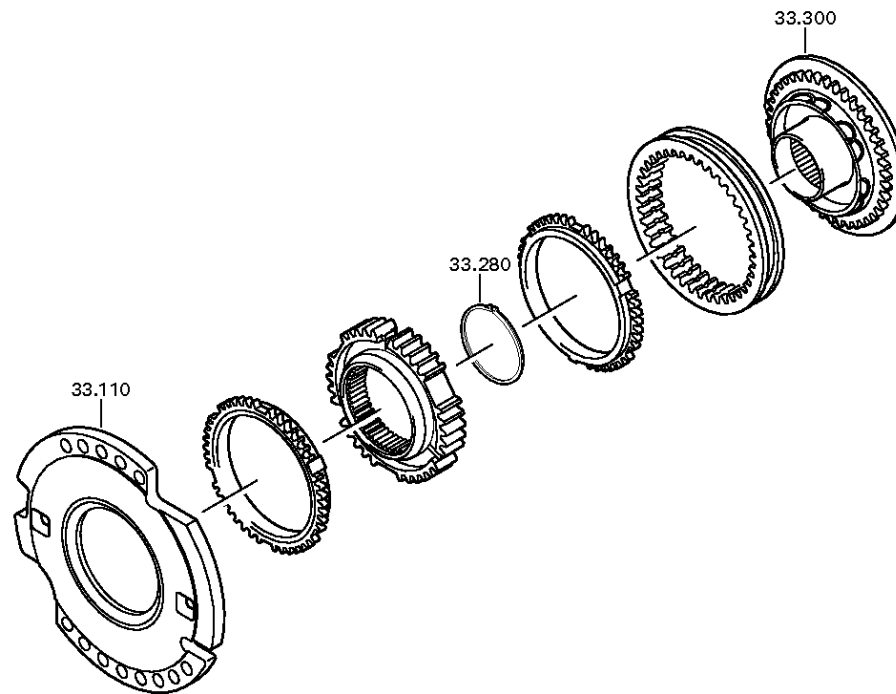
Material number: 1308.050.192

Plant: 064.45.01-1

SYNCHRONIZER



9 S 75 PTO /
SYNCHRONIZER



Plant

Page 2 from 2

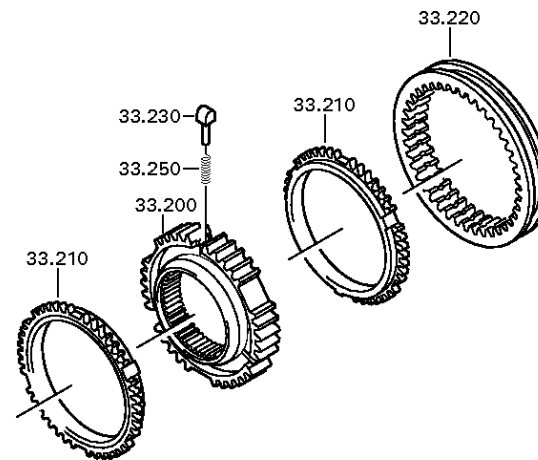
Material number: 1308.050.192

Plant: 064.45.40-1

SYNCHRONIZER



9 S 75 PTO /
SYNCHRONIZER



Plant

Page 1 from 2

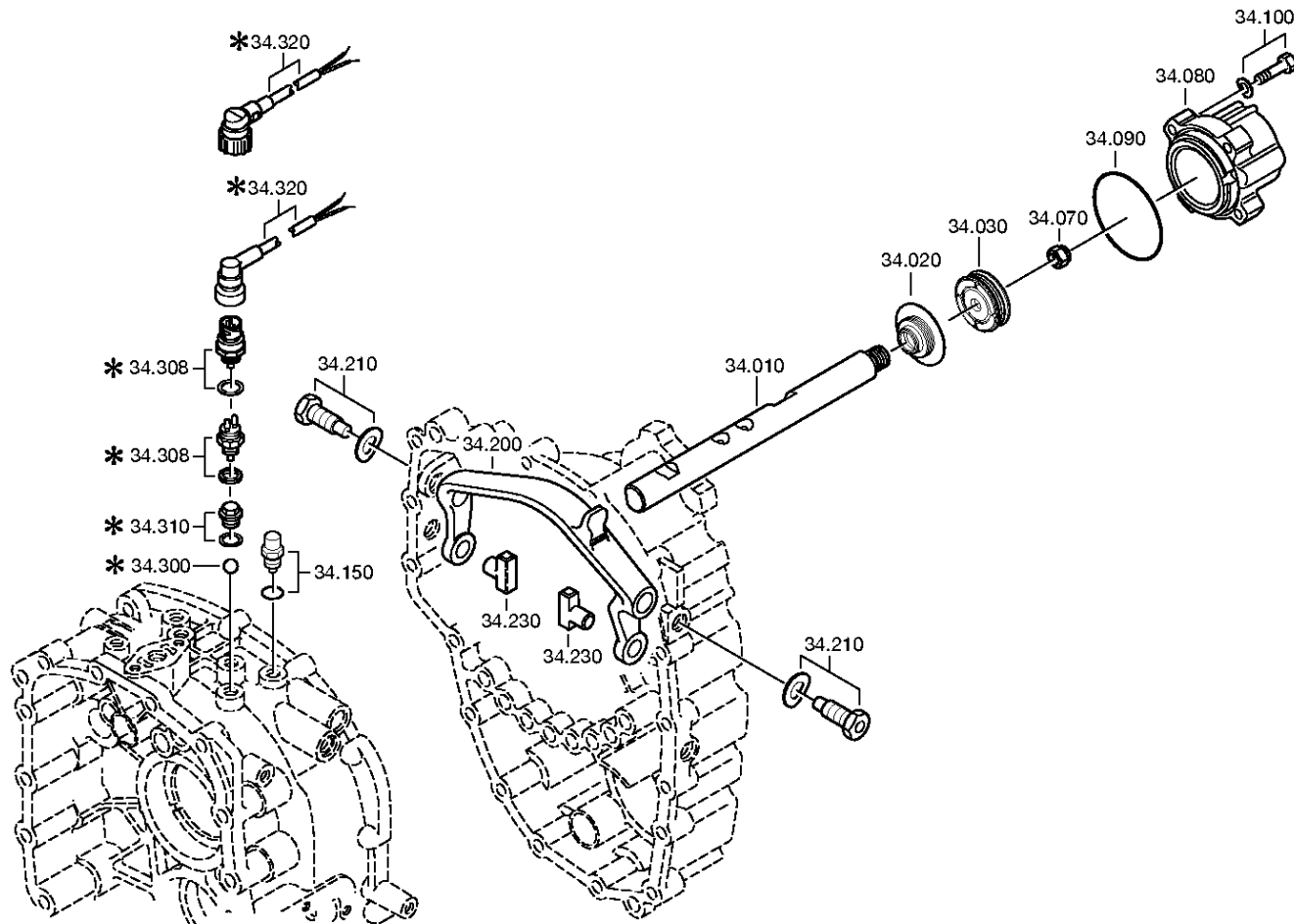
Material number: 1308.050.192

Plant: 064.46.03-1

GP SHIFT SYSTEM



9 S 75 PTO /
GP SHIFT SYSTEM



Plant

Page 2 from 2

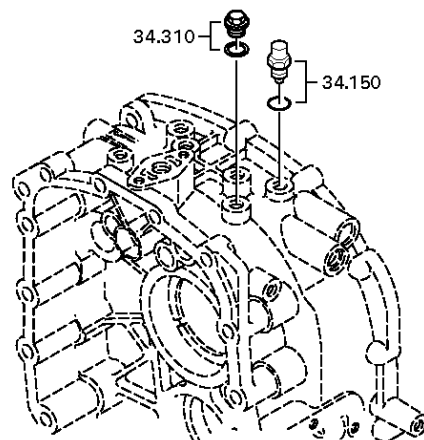
Material number: 1308.050.192

Plant: 064.46.43-1

GP SHIFT SYSTEM



9 S 75 PTO /
GP SHIFT SYSTEM



Plant

Page 1 from 2

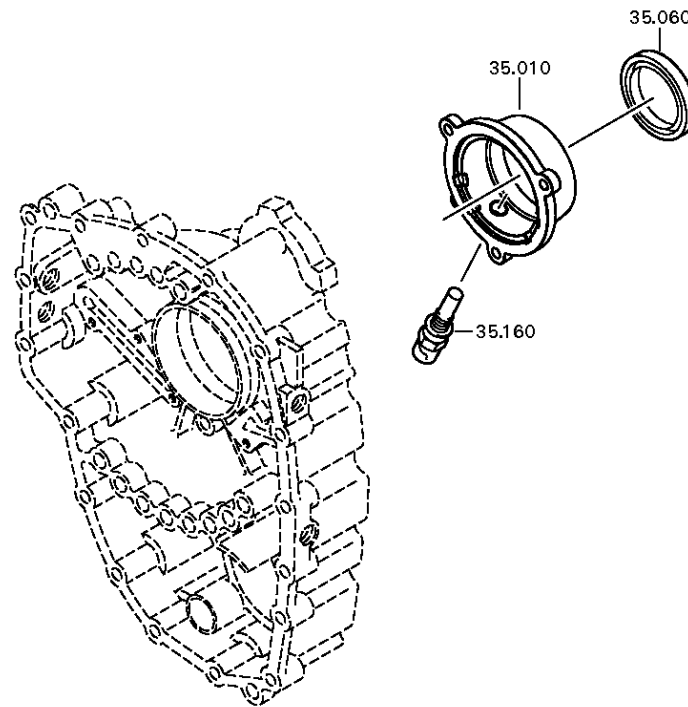
Material number: 1308.050.192

Plant: 064.47.05-1

SPEEDOMETER COVER



9 S 75 PTO /
SPEEDOMETER COVER



Plant

Page 2 from 2

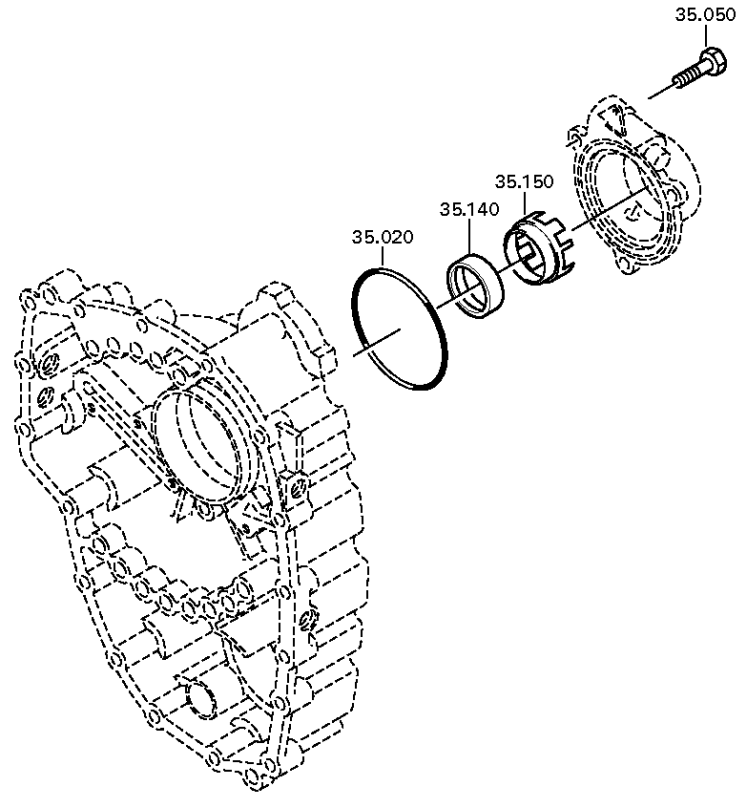
Material number: 1308.050.192

Plant: 064.47.81-1

SPEEDOMETER COVER



9 S 75 PTO /
SPEEDOMETER COVER



Plant

Page 1 from 1

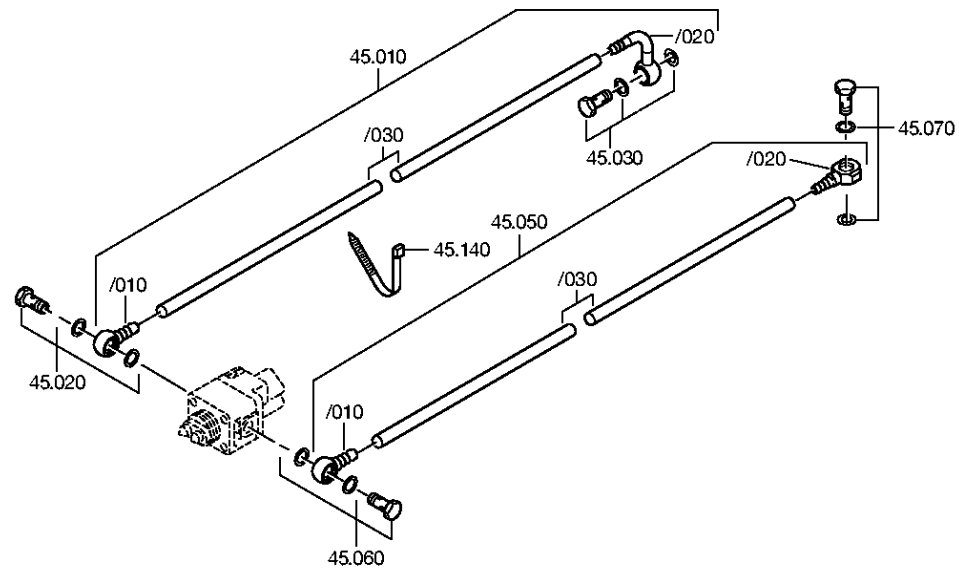
Material number: 1308.050.192

Plant: 064.57.02-1

Material-assembly-group-no: 1308.145.002



9 S 75 PTO /
RANGE SELECTION



Plant

Page 1 from 1

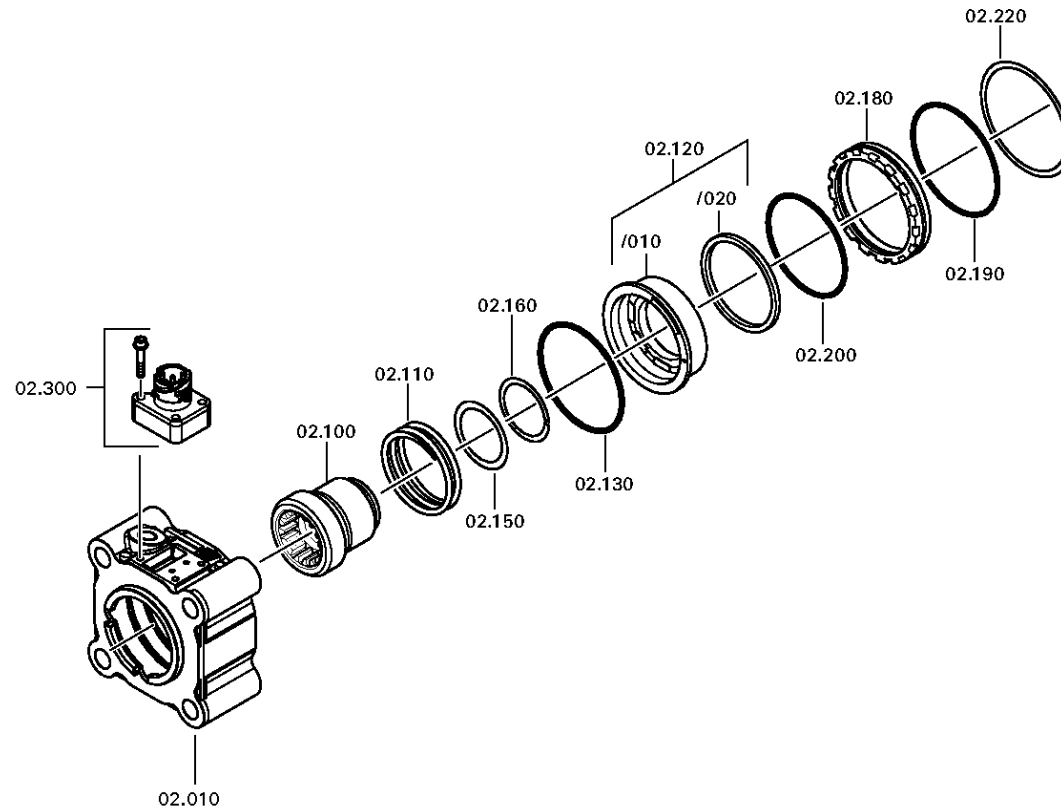
Material number: 6090.012.022

Plant: 054.87.06-1

TYPE PLATE



9 S 75 PTO /
TYPE PLATE



Plant

Page 1 from 1

Material number: 6090.012.022

Plant: 054.88.05-1

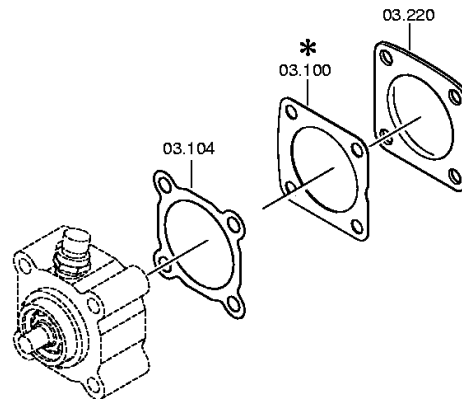
Material-assembly-group-no: 6090.103.005



9 S 75 PTO /
CLOSING COMPONENTS

Bildtafel:
Figure: 054.88.05
Figure:
Figura:

je nach Stücklistenausführung
depending on spec. number
* suivant la nomenclature
secondo la distinta base



NL I C
NH I C

Plant

Page 1 from 1

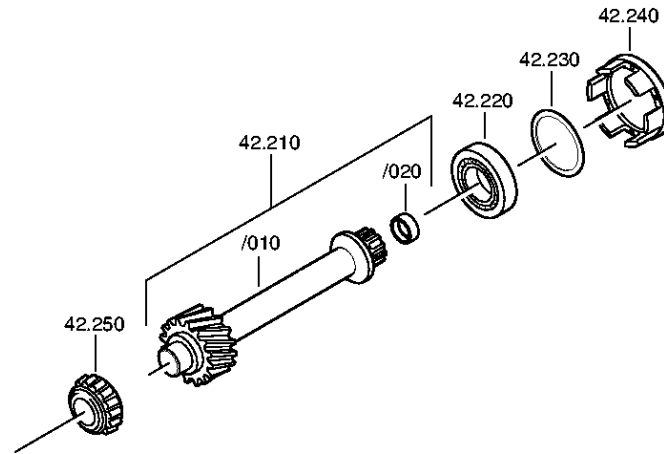
Material number: 6090.190.108

Plant: 054.63.02-1

Material-assembly-group-no: 6090.142.008



9 S 75 PTO /
CONNECTING PARTS



Plant

Page 1 from 1

Material number: 6090.190.108

Plant: 054.87.81-1

ACCESSORIES



9 S 75 PTO /
ACCESSORIES

