



Spare Parts Catalog

N 221/10 B

Material number: 1316.154.213

Current date: 23.03.2005

ZF Friedrichshafen AG
Hauptverwaltung
80038 Friedrichshafen
Deutschland

Telefon: +49 7541 77-0

Telefax: +49 7541 77-908000

www.zf.com

zuständiges Werk:
Friedrichshafen

Notes relating to the spare parts catalog

Setup of the spare parts catalog

- Cover sheet
- Technical Cover (only in SDM print)
- Overview of figures
- Figure
- Associated parts list
- Next figure
- Associated parts list
- ...

Figure and parts list



Overview of figures

Bildtafel Figure	Sachnummer Product number	Benennung (Description)	Technische Info Technical info	Description (Benennung)	Menge Quantity	Einheit Unit
068.08.17	1316.170.001	AUSLEGER	WL	SHIFT TURRET	1	Stk
068.08.06	1316.170.031	DECKEL	WL*H-H *VM	COVER	1	Stk
068.08.14	1316.170.808	DECKEL	WL*AUSL+GEH*H-H*HF160N	COVER	1	Stk
08	1316.170.441	ANSCHLUSSTEILE	WL*NG-VORB*RG-SCHL*168N *BAJONETT	CONNECTING PARTS	1	Stk

The "gap" indicates that there is no separate graphics panel (poster) for this assembly
The parts of this assembly are shown with the same mid-section number on the figure

1 Positions and subpositions

Pos.	Sachnummer Product number	Benennung (Description)	Technische Info Technical info	Description (Benennung)	Menge Quantity	Einheit Unit
0370	1315.201.054	RUECKLAUFBOLZEN	KPL.16S151*SG*L= 79	REV.IDLER SHAFT	1	Stk
/0120	0631.329.293	SPANNSTIFT		SLOT. PIN	1	Stk

Positions marked with "/" are the individual items of a completion
For example: Position 0370 contains a centering pin with the position /0120

2 Combinations with standardized parts

Pos.	Sachnummer Product number	Benennung (Description)	Technische Info Technical info	Description (Benennung)	Menge Quantity	Einheit Unit
0630		VERSCHL.SCHR.		SCREW PLUG	1	Stk
	0636.302.067	VERSCHL.SCHR.		SCREW PLUG	1	Stk
	0634.801.249	DICHTRING	A 26 X 31	SEALING RING	1	Stk

The parts list shows the components included in the combination of standardized parts

3 Depiction of position/item number on the figure and in the parts list

01.620 - on the figure 01 relates to the assembly in which the position is included. Due to program-related reasons, it is shown on the figure.

0620 - in the parts list

Pos.	Sachnummer Product number	Benennung (Description)	Technische Info Technical info	Description (Benennung)	Menge Quantity	Einheit Unit
0620	0732.040.736	DRUCKFEDER		COMPRESSION SPRING	1	Stk

4 *-Positions

Positions marked with an * are optional i.e. inclusion in the parts list is not mandatory.
The following note is shown on the figure

je nach Stücklistenausführung
depending on spec. number
*
suivant la nomenclature
secondo la distinta base

5 Parts, dotted display

Parts with dotted display on the figure are only used for orientation of other parts

Technical Cover

Page 1 from 1

Material number: 1316.154.213



N 221/10 B /

Pos.	Information	Amendment number
001	Use case -----	
002	Customer ZF KUNDENDIENST FRIEDRICHSHAF.	
003	City Friedrichshafen	
004	DUNS	
005	Product description -----	
006	ATTACHM.TO TRANSMISS.VARIANT1 16 S 151	
007	ATTACHM.TO TRANSMISS.VARIANT2 16 S 221	
008	INSTALLATION POS TRANSMISSION HORIZONTAL LEFT	
009	TRANSMISSION ATTACHMENT FLANGE-MOUNTED	
010	DESIGN PTO J32 N 221/10 B	
011	NO. OF TEETH PTO OUTPUT GEAR Z1 J32 37	
012	NO. OF TEETH PTO OUTPUT GEAR Z3 J32 30	
013	SWITCHING TYPE PTO J32 PNEUMATIC INTEGRATED	
014	POSITION PTO J32 TOP	
015	NOTE OUTPUT SPEED PTO J32 K32 CONSTANT GEAR	
016	DIAMETER OUTSIDE PTO OUTPUT FLANGE J32 100 mm	
017	NO. OF BORES PTO FLANGE J32 6	
018	DIAMETER BORE PTO OUTPUT FLANGE J32 8.1 mm	
019	FUNCTION PTO SWITCH J32 PTO	
020	DESIGN PTO SWITCH J32 CLOSING	
021	PROTECTION CAP PTO SWITCH J32 n	
030	OIL CAPACITY, GEARBOX 1 dm ³	
031	OIL GRADE PERMISSIBLE ACC. TO TE-ML02	
032	COLOR JET BLACK	
033	COLOUR CLASSIFICATION ACC. TO RAL 9005	
034	PAINTING, ZF STANDARD 915 W	

Assembly group overview

Page 1 from 1

Material number: 1316.154.213



N 221/10 B /

Graphics	Pos.	Material number	Name	Quantity	Amend. no.	Techn. Info.
068.65.89-1	58	1316.113.802	POWER TAKE-OFF	1		
068.65.89-1	872	1316.113.800	PLATE	1		
068.65.89-1	874	1316.113.403	TYPE PLATE	1		
068.65.89-1	900	1316.113.038	POWER TAKE-OFF	1		
068.65.89-1	920	1316.113.401	CLOSING COMPONENTS	1		
068.65.95-1	930	1316.113.033	CONNECTING PARTS	1		
068.65.89-1	940	1316.113.402	CONNECTING PARTS	1		

Plant

Page 1 from 2

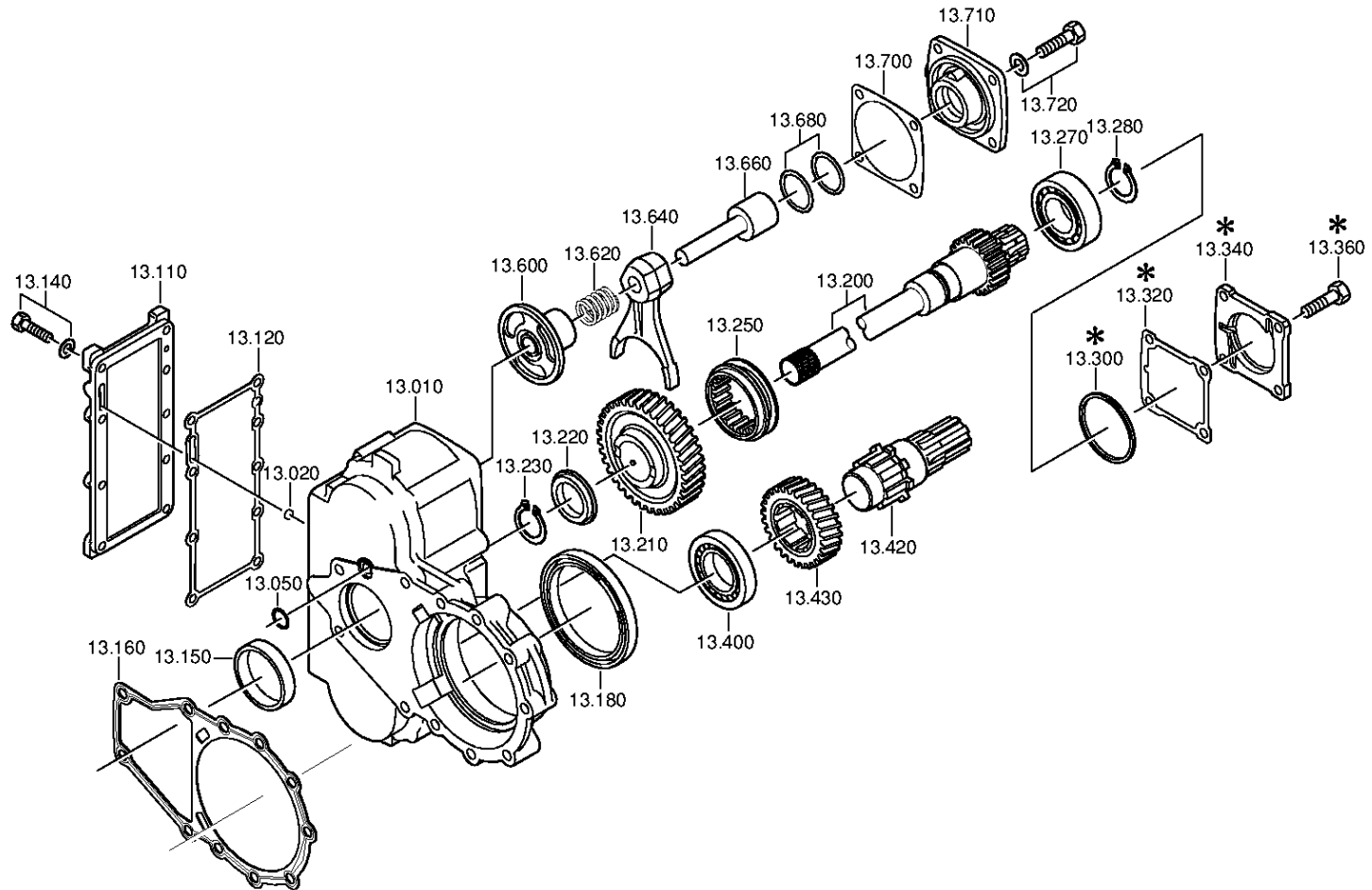
Material number: 1316.154.213

Plant: 068.65.89-1

POWER TAKE-OFF



N 221/10 B /
POWER TAKE-OFF



Plant

Page 2 from 2

Material number: 1316.154.213

Plant: 068.65.95-1

POWER TAKE-OFF



N 221/10 B /
POWER TAKE-OFF

