



# Spare Parts Catalog

9 S 1310 TO  
KAMAZ PUBLIC JOINT STOCK COMPANY

Material number: 1324.001.048



Pos.	Information	Amendment number
001	Use case -----	
002	Customer KAMAZ PUBLIC JOINT STOCK COMPANY	
003	City Naberezhnye Chelny	
004	DUNS 64-493-2113	
005	Vehicle / Apparatus -----	
006	Sales Name	
007	Manufacturer KAMAZ PUBLIC JOINT STOCK COMPANY	
008	Engineering Name	
009	Product Use TRUCK	
010	Vehicle/Hardware Type ROAD TRACTOR	
011	SOP	
012	Engine	
013	Sales Designation	
014	Manufacturer Cummins Engine Co.	
015	Eng.Displ.	
016	Cylinder	
017	Nom. power 210 kW	
018	RPM at nom. power 2500 1/min	
019	Nom. torque 1020 Nm	
020	RPM at nom. torque 1500 1/min	
021	Classification use case -----	
022	DESIGNATION, CLUTCH MFZ430	
023	MANUFACTURER, CLUTCH ZF-SACHS	
024	TOTAL NUMBER OF WHEELS 6	
025	NUMBER OF DRIVING WHEELS 4	
026	DYNAMIC TYRE RADIUS 508 mm	
027	REAR AXLE RATIO 6.53	
031	PERMISS.GROSS VEHICLE WEIGHT 25 t	
032	PERMISS.GROSS COMBIN.WEIGHT 38 t	
033	APPROVAL NOTE 1 FIRST FITTING CHECK CARR.OUT	
034	Product description -----	
035	INSTALLATION POS TRANSMISSION HORIZONTAL LEFT	



Pos.	Information	Amendment number
036	TRANSMISSION ATTACHMENT FLANGE-MOUNTED	
037	RATIO, BOTTOM GEAR 9.48	
038	RATIO, TOP GEAR .75	
039	SET OF RATIOS TO	
040	RATIO, 1ST GEAR 9.48	
041	RATIO, 2ND GEAR 6.58	
042	RATIO, 3RD GEAR 4.68	
043	RATIO, 4TH GEAR 3.48	
044	RATIO, 5TH GEAR 2.62	
045	RATIO, 6TH GEAR 1.89	
046	RATIO, 7TH GEAR 1.35	
047	RATIO, 8TH GEAR 1	
048	RATIO, 9TH GEAR .75	
049	RATIO, 1ST GEAR REVERSE 8.97	
050	UEBERSETZUNG PLANETENSATZ 3.48	
051	NUMBER OF PLANETARY GEARS 4	
052	DESIGN, SHIFT SYSTEM TURNING SHAFT	
053	POSITION, GEAR SHIFT SYSTEM HORIZONTAL LEFT	
054	DESIGN, SHIFT PATTERN H-H	
056	VERSION TUBE R/C PLASTIC-FORM-PIPE	
059	DESIGN, SEPARATING CLUTCH FULL-SYNCHRONIZED	
062	REFERENCE LENGTH INPUT SHAFT 286 mm	
063	STANDARD TYPE INPUT SHAFT SAE	
064	NUMBER OF WEDGES INPUT SHAFT 10	
065	VERSION OF INPUT SHAFT FORM C	
066	NOMINAL DIAMETER INPUT SHAFT 1.75 in	
067	DIAMETER, JOURNAL, INPUT SHAFT 25 mm	
068	TYPE FIT SPIGOTS INPUT SHAFT F7	
069	DIAMETER SHAFT OF INPUT SHAFT 44 mm	
070	BUSH VARIANT INPUT SHAFT WITHOUT GROOVE	
071	DESIGN,CONN., CLUTCH HOUSING SAE 1	
075	DIAMETER, RELEASE FLANGE 60 mm	



Pos.	Information	Amendment number
076	TYPE FIT RELEASE BEARING FLA. E8	
077	DICHTKAPPE AUSRUECKLAGERFL y	
078	DESIGN BEARING OUTPUT STANDARD SUSPENSION	
079	OUTER DIA. OUTPUT FLANGE RA 180 mm	
080	NO.OF SCREWS OUTPUT FLANGE RA 4	
083	DIA. THREAD OUTPUT FL. SCR. RA M14	
084	REF. LENGTH OUTPUT FLANGE RA 103 mm	
085	THREAD PITCH OUTPUT FL SCR. RA 1.5 mm	
086	THREAD LENGTH OUTP.FL SCREW RA 50 mm	
087	DIMENSION SHIFT TURRET DIST. 229 mm	
088	MEAS. LOC. SHIFT TURRET DIST. SHIFT LEVER-LOCATION	
108	SPRING ARRANGEMENT Q2	
109	NORMENART HOHLFLANSCH HEXAGON SCREW	
110	TOOLING SET OF SPRINGS W308	
111	SPRING FORCE DETENT PLUNGER RG 153.000 N	
113	SPRING FORCE,GEAR DETENT NG+GG 200 N	
114	SELECTION PATTERN VARIANT GEAR SHIFT PATTERN 1	
117	SWITCH, REVERSE GEAR y	
118	DESIGN, RG (REV.GEAR) SWITCH CLOSING	
119	NOTE ON SWITCH, REVERSE GEAR GEAR SHIFT RAIL	
120	PROT. CAP SWITCH, REVERSE GEAR y	
121	DESIGN, CONNECTION, RG SWITCH BAYONET+PLUG	
123	SWITCH, NEUTRAL GEAR y	
124	DESIGN,NG(NEUTRAL GEAR)SWITCH OPENING SWITCH	
125	PROT.CAP SWITCH, NEUTRAL GEAR y	
126	DESIGN, CONNECTION, NG SWITCH BAYONET+PLUG	
128	FUNCTION OF R/C SWITCH GP	
129	DESIGN, GP SWITCH OPENING SWITCH	
130	PROTECTING CAP GP SWITCH y	
131	DESIGN, CONNECTION, GP SWITCH BAYONET+PLUG	
132	REF.LENGTH,RELEASE BEAR.FLAN 170 mm	
134	ATTACHED AGRREGATES 1 WITHOUT WSK	



Pos.	Information	Amendment number
135	ATTACHM.POS.HEAT EXCHANGER WITHOUT GROOVE	
136	VER. TRANSMISSION VENTILATION BREATHER	
139	ATTACHMENT VARIANT, RETARDER WITHOUT GROOVE	
140	LENGTH CLUTCH HOUSING 174 mm	
142	TYPE OF RELEASE MECHANISM PULLED	
143	VERSION OF CLUTCH CYLINDER SERVO	
144	DIAMETER, CLUTCH CYLINDER 100 mm	
145	ASSEMBLY POS. CLUTCH CYLINDER 6	
146	LENGTH TAPPET CLUTCH CYLINDER 127 mm	
147	DESIGN LUBRI.CONN. REL.BEARING WITHOUT GROOVE	
148	THREAD DIA. MTG BOLT SUSPENSION M16	
151	THREAD PITCH SUSPENSION 2 mm	
152	DESIGN WEAR INDICATOR CLUTCH WITHOUT GROOVE	
153	DESIGN SWITCH CLUTCH PREPARED	
158	OUTER DIAMETER RELEASE BEARING 60 mm	
160	WRENCH SIZE, RELEASE FORK 128 mm	
161	LENGTH, RELEASE BEARING 82 mm	
163	DESIGN PULSE SENSOR INPUT WITHOUT GROOVE	
165	PROT.CAP PULSE SENSOR INPUT n	
167	NO. PULSES PULSE SENSOR SFAH68 8 IMP/U	
169	VERSION PULSE SENSOR SFA H68 WITH	
171	PROT. CAP PULSE SENSOR SFA H68 y	
185	NOTE ON OIL FILL FILL IN OVERFLOW	
186	POSITION, OIL FILLER HOUSING, LH SIDE	
187	OIL CAPACITY, GEARBOX 8.8 dm3	
189	OIL GRADE PERMISSIBLE ACC. TO TE-ML02	
191	COLOR JET BLACK	
192	COLOUR CLASSIFICATION ACC. TO RAL 9005	
193	PAINTING, ZF STANDARD 915 W	
194	CODING OUTER CONSERVATION KA1	
195	SCOPE OUTER CONSERVATION T	
196	CODING INNER CONSERVATION KI1	



Pos.	Information	Amendment number
197	CONSERVATION SPECIFICATION ZFN 916	
198	CODIERUNG STOPFENANZAHL	
199	Documents -----	
200	Checkliste_CKD Text-document 1324.199.004	
201	TURN.SHAFT CONT Drawing 1324.149.004	
202	TURN.SHAFT CONT Assembly 1324.149.004	
203	9-SPEED GEARBOX Drawing 1324.001.042	
204	9-SPEED GEARBOX Assembly 1324.001.042	
205	GEARSHIFT SYST. Drawing 1324.172.009	
206	GEARSHIFT SYST. Assembly 1324.172.009	
207	9-SPEED GEARBOX Drawing 1324.601.016	
208	KUPPLUNGSGLOCKE Drawing 6060.000.001	
209	CLUTCH HOUSING Drawing 6060.600.029	
210	9-SPEED GEARBOX Assembly 1324.601.016	



Graphics	Pos.	Material number	Name	VKF	Amend. no.	Amend. start	Prod. no.	Material feature / tech. info.	ID
062.01.15-1	110	1324.101.038	GEARBOX HOUSING	1		00.00.0000		NEW ECOMID*SG*WA *SEP.K-GEHAEUSE*O.SERVO	3
062.01.15-1	120	1324.101.801	GEARBOX HOUSING	1		00.00.0000		NEW ECOMID *ENTLUEFTER	3
062.01.15-1	122	1304.101.800	CLOSING COMPONENTS	1		00.00.0000		NA-OEFFNUNG	3
062.02.10-1	140	1304.102.455	CONNPLATE	1		00.00.0000		L=170*D=60E8	3
062.02.10-1	150	1324.102.802	INPUT SHAFT	1		00.00.0000		O.WSK*DICHTKAPPE	3
062.02.10-1	910	1324.102.011	INPUT SHAFT	1		00.00.0000		9,48-0,75 *L=286*SAE10C 1 3/4	3
062.03.07-1	180	1324.103.800	LAYSHAFT	1		00.00.0000		O.WSK*PUMPE	3
062.03.07-1	920	1324.103.006	LAYSHAFT	1		00.00.0000		9,48-0,75 9 S 1310 TO	3
062.04.08-1	930	1324.104.007	MAIN SHAFT	1		00.00.0000		9,48-0,75 *9S 1310 TO *E21 *OPTIMIERTE SYNCHONISIERUNG	3
062.06.27-1	230	1324.106.004	GEAR SHIFT SYSTEM	1		00.00.0000		SG*WA*WI/WII *3/4G M.UMLENKG*1/2G O.UMLENKG	3
062.06.27-1	238	1324.106.406	CONNECTING PARTS	1		00.00.0000		WA*RG-SCHL*NG-OEFF*BAJO *NEW ECOMID*H-H	3
062.07.15-1	282	1324.107.800	GEAR SHIFT HOUSING	1	Z0000389411	06.04.2009		O.ABSTUETZPUNKT	3
062.07.15-1	910	1324.107.006	GEAR SHIFT HOUSING	1		00.00.0000		NEW ECOMID*H-H*153N *WL/WR	3
062.07.15-1	914	1324.107.408	GEAR SHIFT SHAFT	1		00.00.0000		NEW ECOMID*WI*228*HH-WL	3
062.08.22-1	930	1324.170.011	COVER	1		00.00.0000		NEW ECOMID*WL/SE*WI	3
062.08.22-1	934	1324.170.802	COVER	1		00.00.0000		WL	3
062.12.29-1	922	1324.149.026	SET OF SPRINGS	1		00.00.0000		WL*H-H*Q2*W308	3
062.43.09-1	20	1304.131.069	GP HOUSING	1	Z0000150241	13.11.2008		9S109 *O.AUSGL.SCHEIBE *GP-KOLBEN*D=100MM	3
062.43.09-1	30	1304.131.400	CLOSING COMPONENTS	1		00.00.0000		NA-OEFFNUNG	3
062.43.09-1	512	1324.131.800	HOUSING GP	1		00.00.0000		NEW ECOMID*6KT.SCHRAUBE *GP-KOLBEN*D=100MM	3
062.44.13-1	40	1324.132.003	PLANETARY DRIVE	1	C01004126E1	00.00.0000		NEW ECOMID*SOLO*4-RAED *SYNCHR. D=165 *9S 1110 TD/9S 1310 TO	3
062.44.13-1	50	1324.132.403	PLANETARY DRIVE	1	C01004126E1	00.00.0000		AD=180*4XM14X1,5X50 *E/Z8	3

VKF Incidence factor

ID Identification (output code)

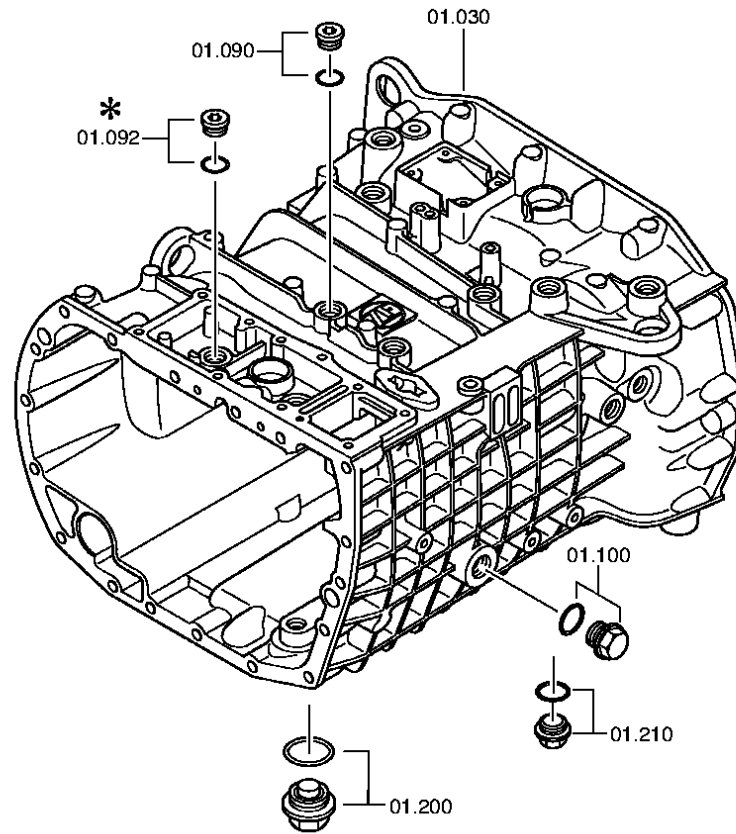


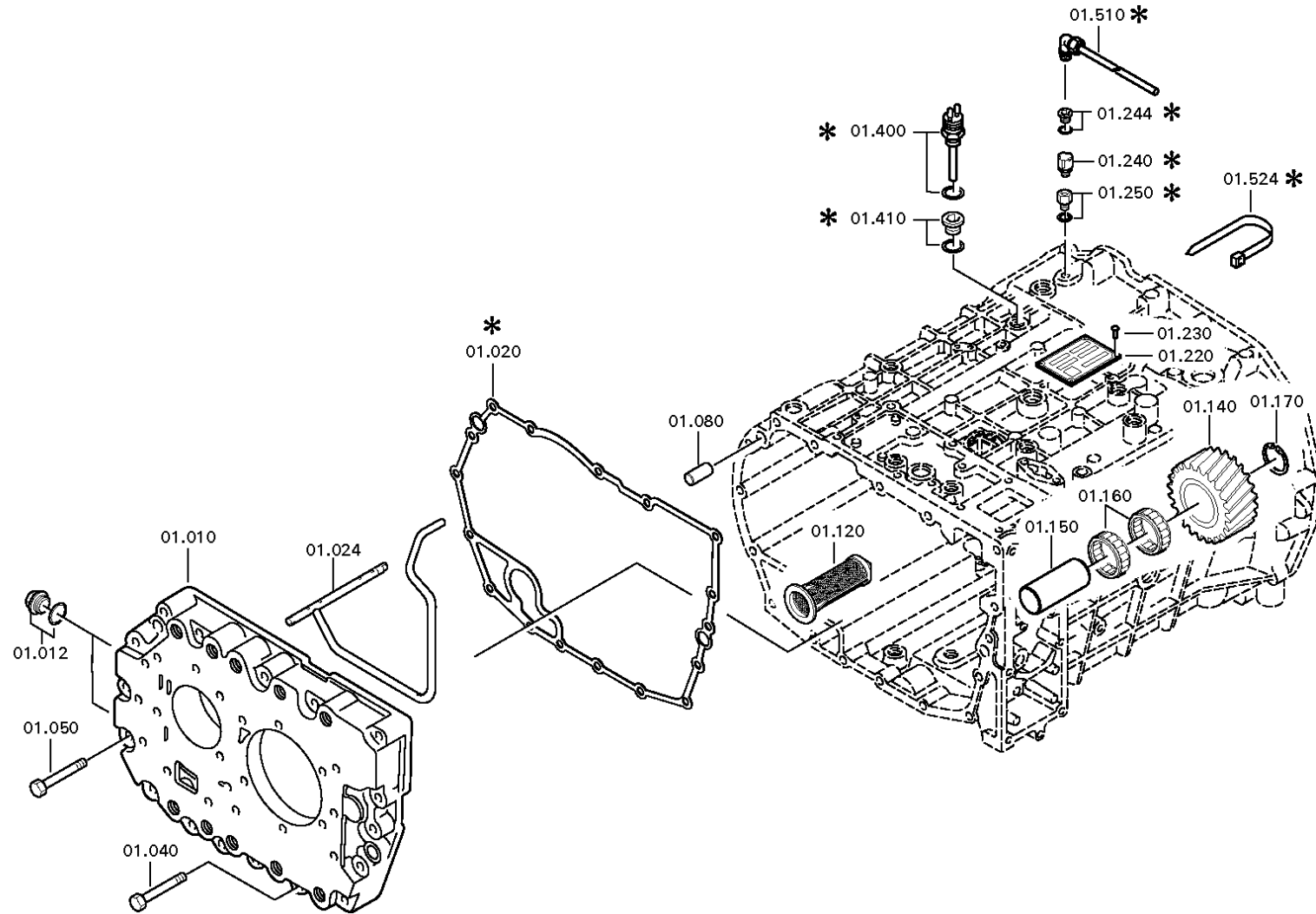
Graphics	Pos.	Material number	Name	VKF	Amend. no.	Amend. start	Prod. no.	Material feature / tech. info.	ID
062.44.13-1	60	1324.132.800	PLANETARY DRIVE	1		00.00.0000		NEW ECOMID*3,48*4-RAEDRIG	3
062.45.05-1	70	1324.133.001	SYNCHRONIZER	1	C01004126E1 10	00.00.0000		NEW ECOMID*SOLO *MOLYBDAEN	3
062.45.05-1	80	1304.133.404	SYNCHRONIZER	1		00.00.0000		MOLYB.	3
062.46.09-1	90	1324.134.004	GP SHIFT SYSTEM	1		00.00.0000		KOLBEN-D=100MM*BATCH2 *ANSCHLAG GEDAEMPFT*145N	3
062.46.09-1	554	1304.134.407	CONNECTING PARTS	1		00.00.0000		GP-OEFF*BAJONETT	3
062.47.02-1	190	1304.135.005	SPEEDOMETER COVER	1		00.00.0000		E-TACHO*GEBER*BAJONETT	3
062.47.02-1	194	1304.135.803	SPEEDOMETER COVER	1		00.00.0000		E-TACHO	3
062.57.02-1	390	1304.145.004	RANGE SELECTION	1		00.00.0000		ECOMID*WA*W I	3
061.92.27-1	480	6060.101.840	ANCHORAGE	1		00.00.0000		9XM18X1,5X85*1XM18X1,5X160*AL- GEHAEUSE	3
061.92.27-1	900	6060.101.692	CLUTCH HOUSING	1		00.00.0000		SAE 1*L=174,0 *VERSCHL.DECKEL *M.KUPPL.VERST-6	3
061.92.27-1	920	6060.101.877	ANCHORAGE	1		00.00.0000		LAGERBOCK *ZF KAMA	3
061.93.30-1	910	6060.168.001	CLUTCH RELEASE DEVICE	1		00.00.0000		GABEL SW128	3

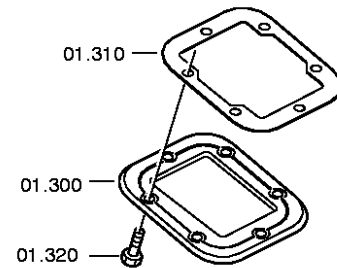
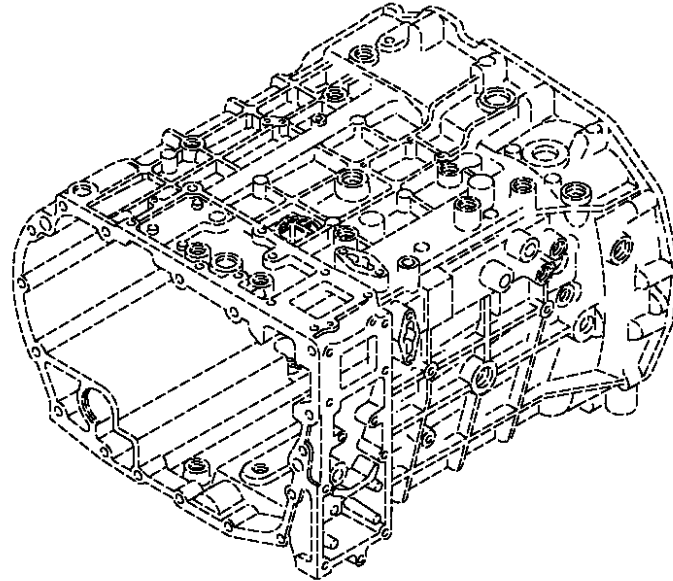
VKF Incidence factor

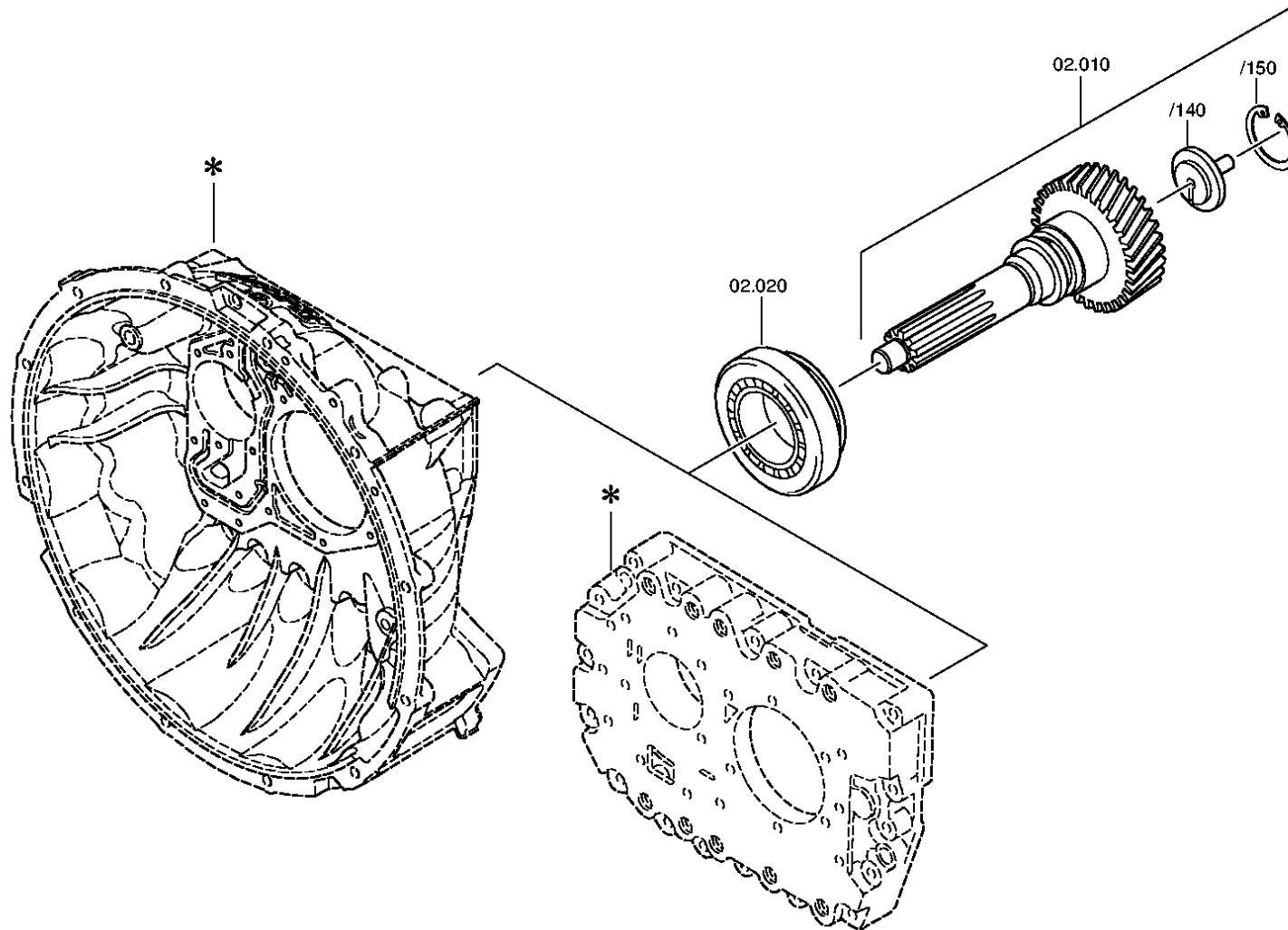
ID Identification (output code)

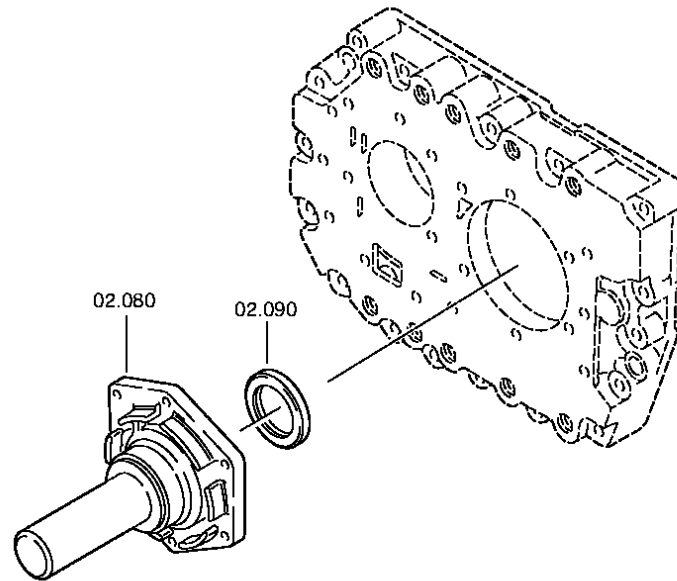


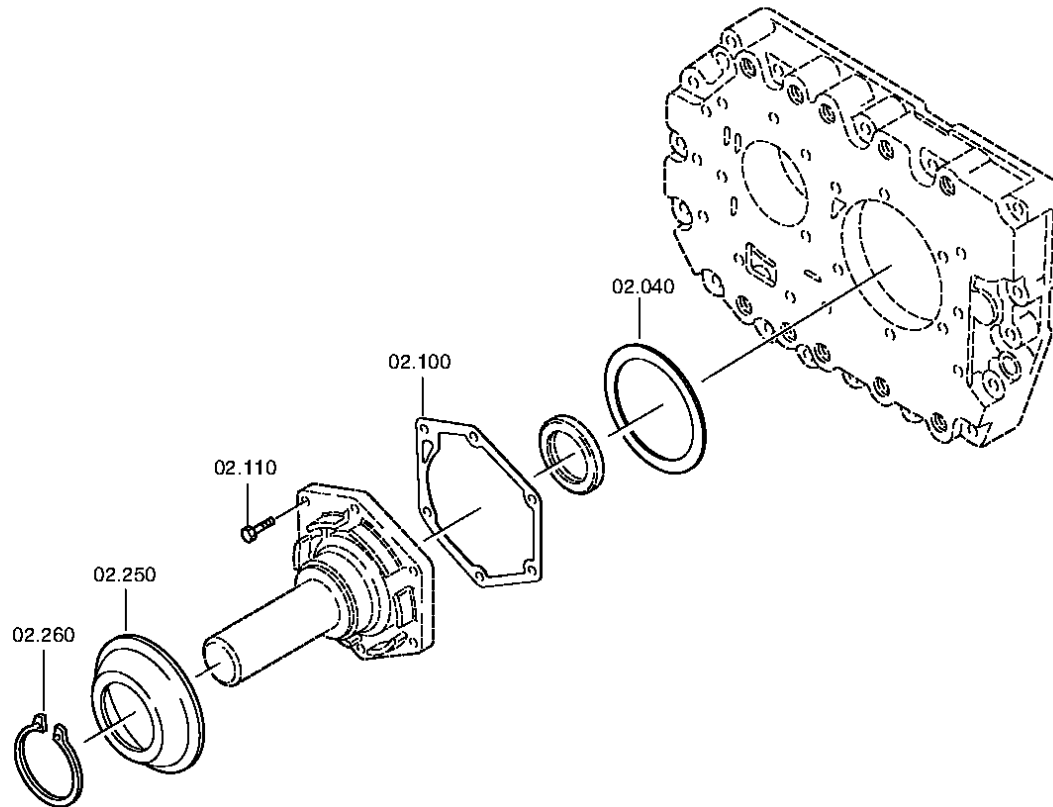












ZF 16S 151 MURAT MAKINA

