



Spare Parts Catalog

9 S 1110 TD

Material number: 1324.002.033

Current date: 02.02.2022

ZF Friedrichshafen AG
Hauptverwaltung
80038 Friedrichshafen
Deutschland

Telefon: +49 7541 77-0

Telefax: +49 7541 77-908000

www.zf.com

zuständiges Werk:
Friedrichshafen

Notes relating to the spare parts catalog

Setup of the spare parts catalog

- Cover sheet
- Technical Cover (only in SDM print)
- Overview of figures
- Figure
- Associated parts list
- Next figure
- Associated parts list
- ...

Figure and parts list



Overview of figures

Bildtafel Figure	Sachnummer Product number	Benennung (Description)	Technische Info Technical info	Description (Benennung)	Menge Quantity	Einheit Unit
068.08.17	1316.170.001	AUSLEGER	WL	SHIFT TURRET	1	Stk
068.08.06	1316.170.031	DECKEL	WL*H-H *VM	COVER	1	Stk
068.08.14	1316.170.808	DECKEL	WL*AUSL+GEH*H-H*HF160N	COVER	1	Stk
08	1316.170.441	ANSCHLUSSTEILE	WL*NG-VORB*RG-SCHL*168N *BAJONETT	CONNECTING PARTS	1	Stk

The "gap" indicates that there is no separate graphics panel (poster) for this assembly
The parts of this assembly are shown with the same mid-section number on the figure

1 Positions and subpositions

Pos.	Sachnummer Product number	Benennung (Description)	Technische Info Technical info	Description (Benennung)	Menge Quantity	Einheit Unit
0370	1315.201.054	RUECKLAUFBOLZEN	KPL.16S151*SG*L= 79	REV.IDLER SHAFT	1	Stk
/0120	0631.329.293	SPANNSTIFT		SLOT. PIN	1	Stk

Positions marked with "/" are the individual items of a completion
For example: Position 0370 contains a centering pin with the position /0120

2 Combinations with standardized parts

Pos.	Sachnummer Product number	Benennung (Description)	Technische Info Technical info	Description (Benennung)	Menge Quantity	Einheit Unit
0630		VERSCHL.SCHR.		SCREW PLUG	1	Stk
	0636.302.067	VERSCHL.SCHR.		SCREW PLUG	1	Stk
	0634.801.249	DICHTRING	A 26 X 31	SEALING RING	1	Stk

The parts list shows the components included in the combination of standardized parts

3 Depiction of position/item number on the figure and in the parts list

01.620 - on the figure 01 relates to the assembly in which the position is included. Due to program-related reasons, it is shown on the figure.

0620 - in the parts list

Pos.	Sachnummer Product number	Benennung (Description)	Technische Info Technical info	Description (Benennung)	Menge Quantity	Einheit Unit
0620	0732.040.736	DRUCKFEDER		COMPRESSION SPRING	1	Stk

4 *-Positions

Positions marked with an * are optional i.e. inclusion in the parts list is not mandatory.
The following note is shown on the figure

je nach Stücklistenausführung
depending on spec. number
*
suivant la nomenclature
secondo la distinta base

5 Parts, dotted display

Parts with dotted display on the figure are only used for orientation of other parts

Technical Cover

Page 1 from 6

Material number: 1324.002.033



9 S 1110 TD /

Pos.	Information	Amendment number
001	Use case -----	
002	Customer Hino Motors Ltd.	
003	City Hino	
004	DUNS 69-053-6503	
005	Vehicle / Apparatus -----	
006	Sales Name FM8j	
007	Manufacturer Hino Motors Ltd.	
008	Engineering Name	
009	Product Use TRUCK	
010	Vehicle/Hardware Type DUMPER	
011	SOP	
012	Engine	
013	Sales Designation J80E-TI	
014	Manufacturer Hino Motors Ltd.	
015	Drivetrain type DIESEL	
016	Eng.Displ. cm3	
017	Cylinder	
018	Nom. power 191 kW	
019	RPM at nom. power 2500 1/min	
020	Nom. torque 745 Nm	
021	RPM at nom. torque 1500 1/min	
022	Classification use case -----	
023	DESIGNATION, CLUTCH 380	
024	MANUFACTURER, CLUTCH EXEDY	
025	TOTAL NUMBER OF WHEELS 6	
026	NUMBER OF DRIVING WHEELS 4	
027	DYNAMIC TYRE RADIUS 520 mm	
028	REAR AXLE RATIO 5.2	
030	INERTIA TORQUE .064 kg/m2	
032	PERMISS.GROSS VEHICLE WEIGHT 40 t	
034	APPROVAL NOTE 1 FIRST FITTING CHECK CARR.OUT	
035	APPLICATION OF THE PRODUCT INDONESIEN	
037	Use case -----	

Technical Cover

Page 2 from 6

Material number: 1324.002.033



9 S 1110 TD /

Pos.	Information	Amendment number
038	Customer Hino Motors Ltd.	
039	City Hino	
040	DUNS 69-053-6503	
041	Vehicle / Apparatus -----	
042	Sales Name FL8J	
043	Manufacturer Hino Motors Ltd.	
044	Engineering Name	
045	Product Use TRUCK	
046	Vehicle/Hardware Type TRANSPORTER	
047	SOP	
048	Engine	
049	Sales Designation J80E-TI	
050	Manufacturer Hino Motors Ltd.	
051	Drivetrain type DIESEL	
052	Eng.Displ. cm3	
053	Cylinder	
054	Nom. power 191 kW	
055	RPM at nom. power 2500 1/min	
056	Nom. torque 745 Nm	
057	RPM at nom. torque 1500 1/min	
058	Classification use case -----	
059	DESIGNATION, CLUTCH 380	
060	MANUFACTURER, CLUTCH EXEDY	
061	TOTAL NUMBER OF WHEELS 6	
062	NUMBER OF DRIVING WHEELS 2	
063	DYNAMIC TYRE RADIUS 523 mm	
064	REAR AXLE RATIO 4.625	
066	INERTIA TORQUE .064 kg/m2	
068	PERMISS.GROSS VEHICLE WEIGHT 40 t	
070	APPROVAL NOTE 1 FIRST FITTING CHECK CARR.OUT	
071	APPLICATION OF THE PRODUCT THAILAND	
073	Use case -----	
074	Customer Hino Motors Ltd.	

Technical Cover

Page 3 from 6

Material number: 1324.002.033



9 S 1110 TD /

Pos.	Information	Amendment number
075	City Hino	
076	DUNS 69-053-6503	
077	Vehicle / Apparatus -----	
078	Sales Name FM8J	
079	Manufacturer Hino Motors Ltd.	
080	Engineering Name	
081	Product Use TRUCK	
082	Vehicle/Hardware Type ROAD TRACTOR	
083	SOP	
084	Engine	
085	Sales Designation J80E-TI	
086	Manufacturer Hino Motors Ltd.	
087	Drivetrain type DIESEL	
088	Eng.Displ. cm3	
089	Cylinder	
090	Nom. power 191 kW	
091	RPM at nom. power 2500 1/min	
092	Nom. torque 745 Nm	
093	RPM at nom. torque 1500 1/min	
094	Classification use case -----	
095	DESIGNATION, CLUTCH 380	
096	MANUFACTURER, CLUTCH EXEDY	
097	TOTAL NUMBER OF WHEELS 6	
098	NUMBER OF DRIVING WHEELS 4	
099	DYNAMIC TYRE RADIUS 523 mm	
100	REAR AXLE RATIO 4.875	
102	INERTIA TORQUE .064 kg/m2	
104	PERMISS.GROSS VEHICLE WEIGHT 45 t	
106	APPROVAL NOTE 1 FIRST FITTING CHECK CARR.OUT	
107	APPLICATION OF THE PRODUCT THAILAND	
109	Product description -----	
110	INSTALLATION POS TRANSMISSION HORIZONTAL LEFT	
111	TRANSMISSION ATTACHMENT FLANGE-MOUNTED	



Pos.	Information	Amendment number
112	CO2-FAMILY XXX	
113	CO2-CERTIFICATE XXX	
114	RATIO, BOTTOM GEAR 12.73	
115	RATIO, TOP GEAR 1	
116	SET OF RATIOS TD	
117	RATIO, 1ST GEAR 12.73	
118	RATIO, 2ND GEAR 8.83	
119	RATIO, 3RD GEAR 6.28	
120	RATIO, 4TH GEAR 4.64	
121	RATIO, 5TH GEAR 3.48	
122	RATIO, 6TH GEAR 2.54	
123	RATIO, 7TH GEAR 1.81	
124	RATIO, 8TH GEAR 1.34	
125	RATIO, 9TH GEAR 1	
126	RATIO, 1ST GEAR REVERSE 12.04	
127	RATIO PLANETARY GEAR SET 3.48	
128	NUMBER OF PLANETARY GEARS 4	
129	DESIGN, SHIFT SYSTEM TURNING SHAFT	
130	POSITION, GEAR SHIFT SYSTEM HORIZONTAL RIGHT	
133	VERSION TUBE R/C PLASTIC PIPING	
136	DESIGN, SEPARATING CLUTCH FULL-SYNCHRONIZED	
139	REFERENCE LENGTH INPUT SHAFT 305 mm	
140	STANDARD TYPE INPUT SHAFT SAE	
141	NUMBER OF WEDGES INPUT SHAFT 10	
142	VERSION OF INPUT SHAFT FORM C	
143	DIAMETER, JOURNAL, INPUT SHAFT 20 mm	
144	NOMINAL DIAMETER INPUT SHAFT 1.75 in	
145	TYPE FIT SPIGOTS INPUT SHAFT F7	
146	DIAMETER SHAFT OF INPUT SHAFT 44 mm	
147	BUSH VARIANT INPUT SHAFT WITHOUT GROOVE	
155	DIAMETER, RELEASE FLANGE 57 mm	
156	SEALING CAP RELEASE BEAR.FLAN y	
157	TYPE FIT RELEASE BEARING FLA. E8	



Pos.	Information	Amendment number
158	DESIGN BEARING OUTPUT STANDARD SUSPENSION	
160	OUTER DIA. OUTPUT FLANGE RA 226 mm	
162	NO.OF BORES OUTPUT FLANGE HA1 6	
163	BORE DIA. OUTPUT FLANGE RA 12 mm	
165	REF. LENGTH OUTPUT FLANGE RA 204.5 mm	
168	DIMENSION SHIFT TURRET DIST. 248 mm	
169	MEAS. LOC. SHIFT TURRET DIST. SHIFT LEVER-LOCATION	
192	SPRING ARRANGEMENT Q2	
193	STANDARDS TYPE HOLLOW FLANGE HEXAGON SCREW	
194	TOOLING SET OF SPRINGS W307	
196	SPRING FORCE,GEAR DETENT NG+GG 200 N	
199	SELECTION PATTERN VARIANT GEAR SHIFT PATTERN 1	
200	RATIO MECHANIC TACHO INPUT 1.545	
201	PROTECTION CAP MECHANIC TACHO INPUT y	
202	SWITCH, REVERSE GEAR y	
203	DESIGN, RG (REV.GEAR) SWITCH CLOSING	
205	NOTE ON SWITCH, REVERSE GEAR GEAR SHIFT RAIL	
206	PROT.CAP SWITCH, REVERSE GEAR y	
207	DESIGN, CONNECTION, RG SWITCH DIN BAYONET	
209	SWITCH, NEUTRAL GEAR y	
210	DESIGN,NG(NEUTRAL GEAR)SWITCH OPENING SWITCH	
212	PROT.CAP SWITCH, NEUTRAL GEAR y	
213	DESIGN, CONNECTION, NG SWITCH DIN BAYONET	
215	FUNCTION OF R/C SWITCH GP	
216	DESIGN, GP SWITCH CLOSING	
217	PROTECTING CAP GP SWITCH y	
218	REF.LENGTH,RELEASE BEAR.FLAN 195 mm	
219	DESIGN, CONNECTION, GP SWITCH DIN BAYONET	
221	ATTACHED AGRREGATES 1 WITHOUT WSK	
222	ATTACHM.POS.HEAT EXCHANGER WITHOUT GROOVE	
223	VER. TRANSMISSION VENTILATION BREATHER	
226	ATTACHMENT VARIANT, RETARDER WITHOUT	
252	DESIGN, PARKING BRAKE PREPARED	



Material number: 1324.002.033

Pos.	Information	Amendment number
253	DESIGN PULSE SENSOR INPUT WITHOUT GROOVE	
254	PROT.CAP PULSE SENSOR INPUT n	
266	NOTE ON OIL FILL FILL IN OVERFLOW	
267	POSITION, OIL FILLER HOUSING, RH SIDE	
268	OIL CAPACITY, GEARBOX 8.900 dm3	
269	OIL FILL VARIANT WITHOUT GROOVE	
270	OIL GRADE PERMISSIBLE ACC. TO TE-ML02	
272	COLOR NOT	
275	CODING OUTER CONSERVATION KA2	
276	SCOPE OUTER CONSERVATION T	
277	CODING INNER CONSERVATION KI1	
278	CONSERVATION SPECIFICATION ZFN 916	
279	CODING NUMBER OF PLUGS	
289	Alias ID -----	
290	Hino Motors Ltd. 33110-E0L20	

Assembly group overview

Page 1 from 2



Material number: 1324.002.033

9 S 1110 TD /

Graphics	Pos.	Material number	Name	Quantity	Amend. no.	Techn. Info.
062.001.014-1	110	1324.101.043	TRANSMISSION HOUSING	1		
062.01.50-1	112	1324.101.074	TYPE PLATE	1		
062.01.82-1	120	1324.101.856	TRANSMISSION HOUSING	1		
062.01.96-1	122	1324.101.900	CLOSING COMPONENTS	1		
062.02.40-1	140	1324.102.409	CONNECTION PLATE	1		
062.02.81-1	150	1324.102.802	INPUT SHAFT	1		
062.02.10-1	910	1324.102.017	INPUT SHAFT	1		
062.03.81-1	180	1324.103.801	COUNTERSHAFT	1		
062.03.07-1	920	1324.103.004	COUNTERSHAFT	1		
062.004.008-1	930	1324.104.005	MAIN SHAFT	1		
062.06.28-1	230	1324.106.058	SHIFT SYSTEM	1		
062.06.50-1	238	1324.106.412	CONNECTING PARTS	1		
062.07.85-1	282	1324.107.800	GEAR SHIFT HOUSING	1		
062.07.09-1	910	1324.107.008	GEAR SHIFT HOUSING	1		
062.07.56-1	914	1324.107.454	GEARSHIFT SHAFT	1		
062.08.25-1	926	1324.170.017	SHIFT TURRET	1		
062.08.24-1	930	1324.170.016	COVER	1		
062.08.84-1	934	1324.170.808	COVER	1		
062.12.28-1	922	1324.149.024	SET OF SPRINGS	1		
062.43.40-1	20	1304.131.078	RC HOUSING	1		
062.43.40-1	30	1304.131.400	CLOSING COMPONENTS	1		
062.43.80-1	512	1324.131.800	HOUSING GP	1		
062.44.14-1	40	1324.132.003	PLANETARY DRIVE	1		
062.44.83-1	60	1324.132.800	PLANETARY DRIVE	1		
062.45.08-1	70	1324.133.003	SYNCHRONIZER	1		
062.45.40-1	80	1304.133.404	SYNCHRONIZER	1		
062.46.12-1	90	1324.134.009	GP SHIFT SYSTEM	1		
062.46.40-1	554	1304.134.414	CONNECTING PARTS	1		
062.57.02-1	390	1324.145.007	RANGE SELECTION	1		
062.61.81-1	54	1304.130.801	PARKING BRAKE	1		

Assembly group overview

Page 2 from 2

Material number: 1324.002.033



9 S 1110 TD /

Graphics	Pos.	Material number	Name	Quantity	Amend. no.	Techn. Info.
062.61.03-1	550	1304.130.003	PARKING BRAKE	1		
062.61.41-1	554	1304.130.402	PARKING BRAKE	1		
062.92.64-1	56	6060.101.870	CLUTCH HOUSING	1		

Plant

Page 1 from 4

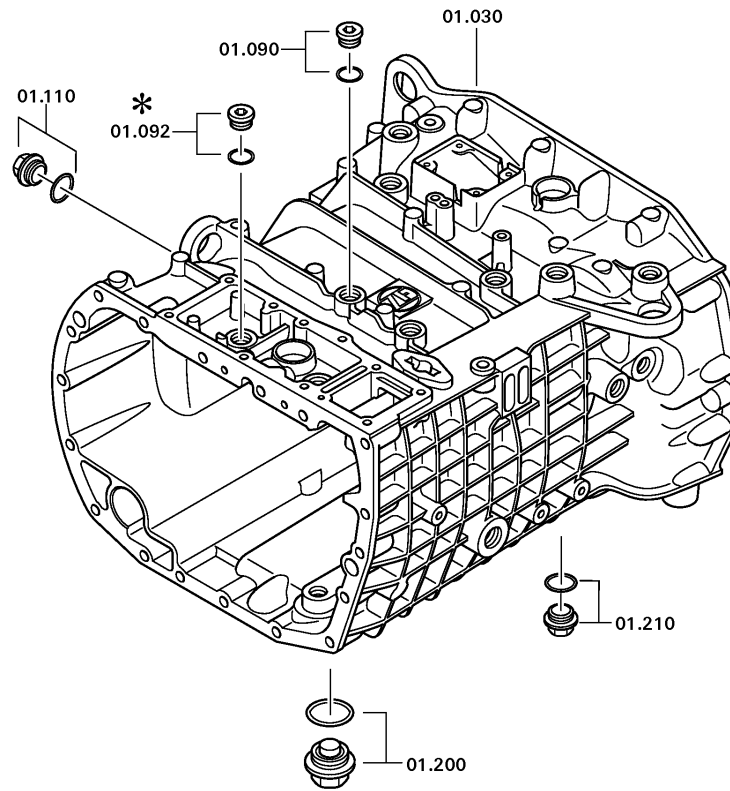
Material number: 1324.002.033

Plant: 062.001.014-1

TRANSMISSION HOUSING



9 S 1110 TD /
TRANSMISSION HOUSING



Plant

Page 2 from 4

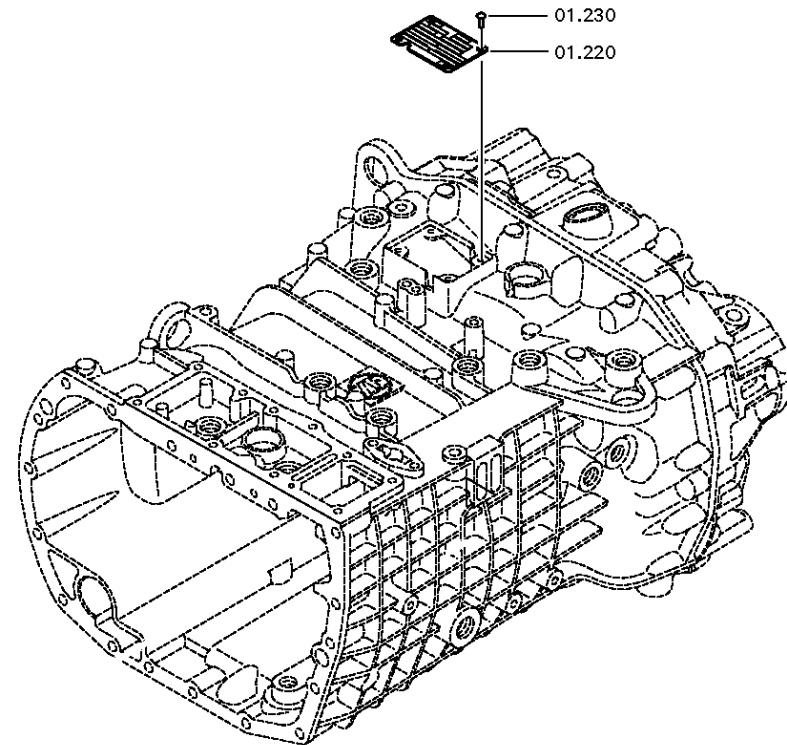
Material number: 1324.002.033

Plant: 062.01.50-1

TRANSMISSION HOUSING



9 S 1110 TD /
TRANSMISSION HOUSING



Plant

Page 3 from 4

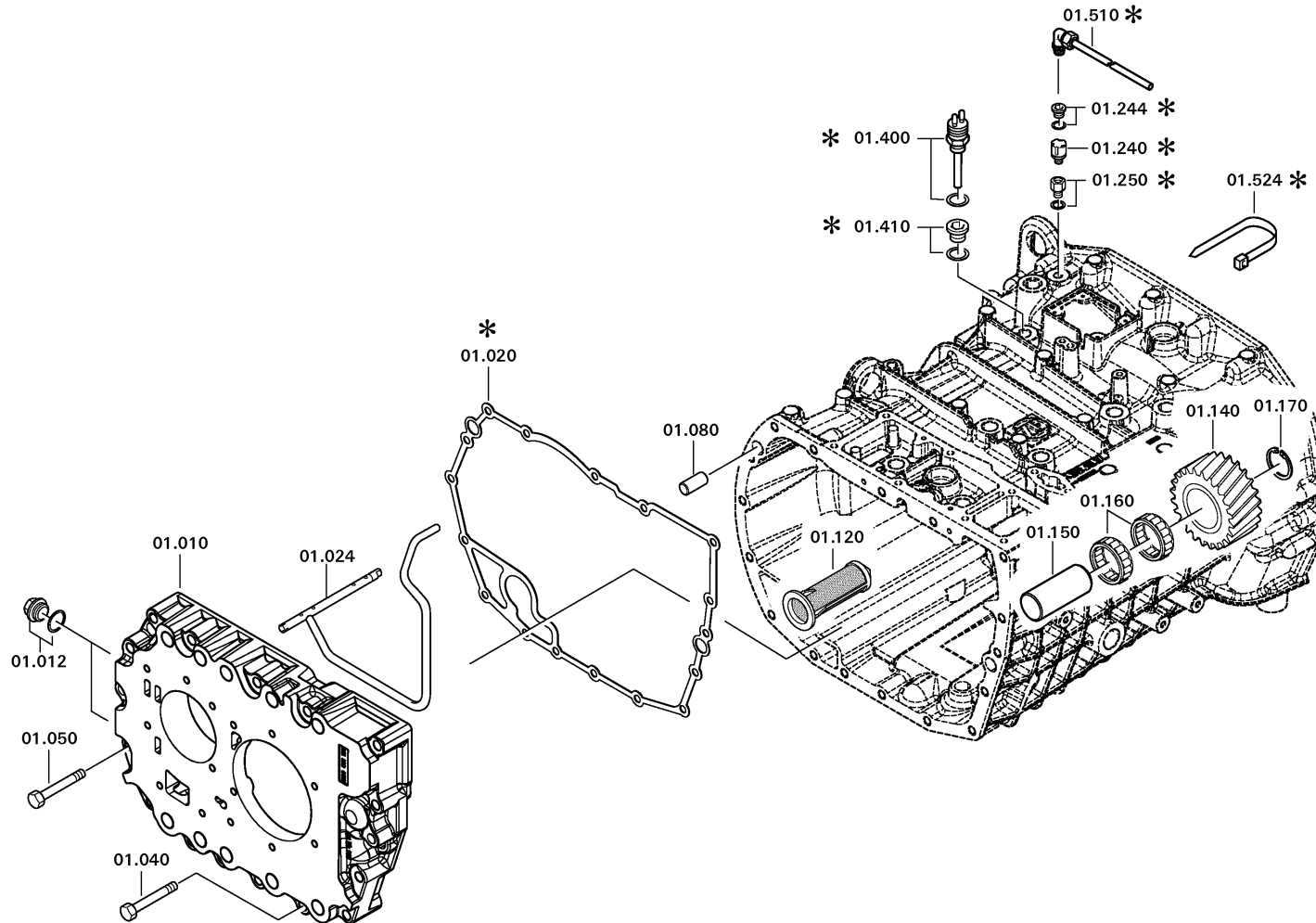
Material number: 1324.002.033

Plant: 062.01.82-1

TRANSMISSION HOUSING



9 S 1110 TD /
TRANSMISSION HOUSING



Plant

Page 4 from 4

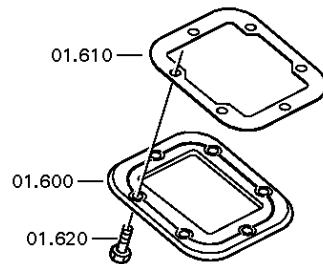
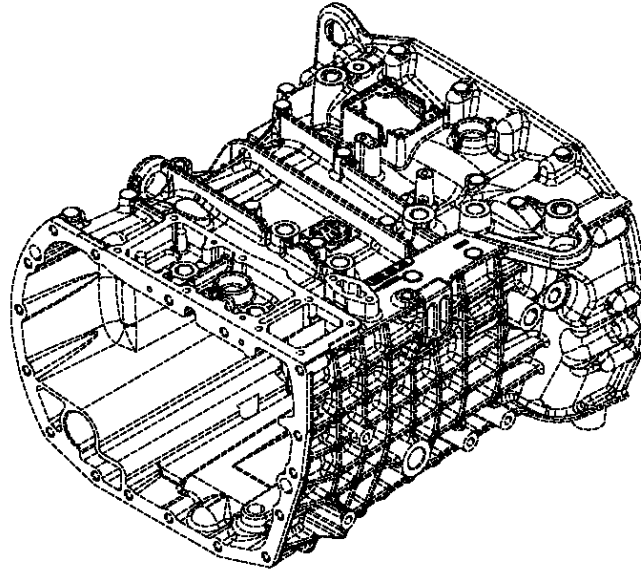
Material number: 1324.002.033

Plant: 062.01.96-1

TRANSMISSION HOUSING



9 S 1110 TD /
TRANSMISSION HOUSING



Plant

Page 1 from 3

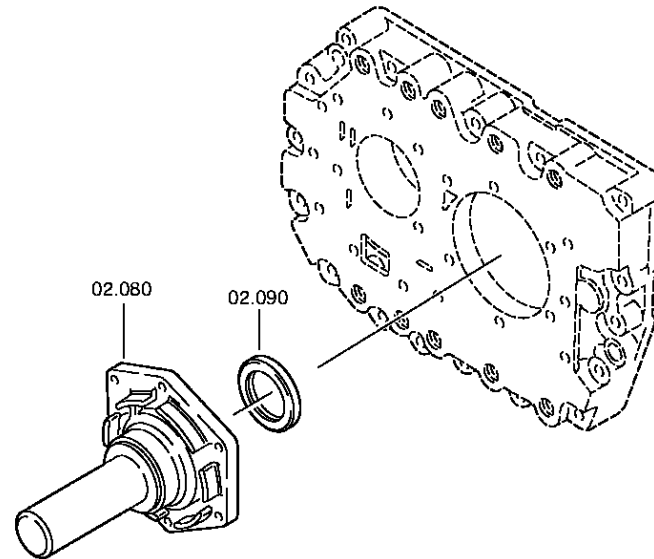
Material number: 1324.002.033

Plant: 062.02.40-1

CONNECTION PLATE



9 S 1110 TD /
CONNECTION PLATE



Plant

Page 2 from 3

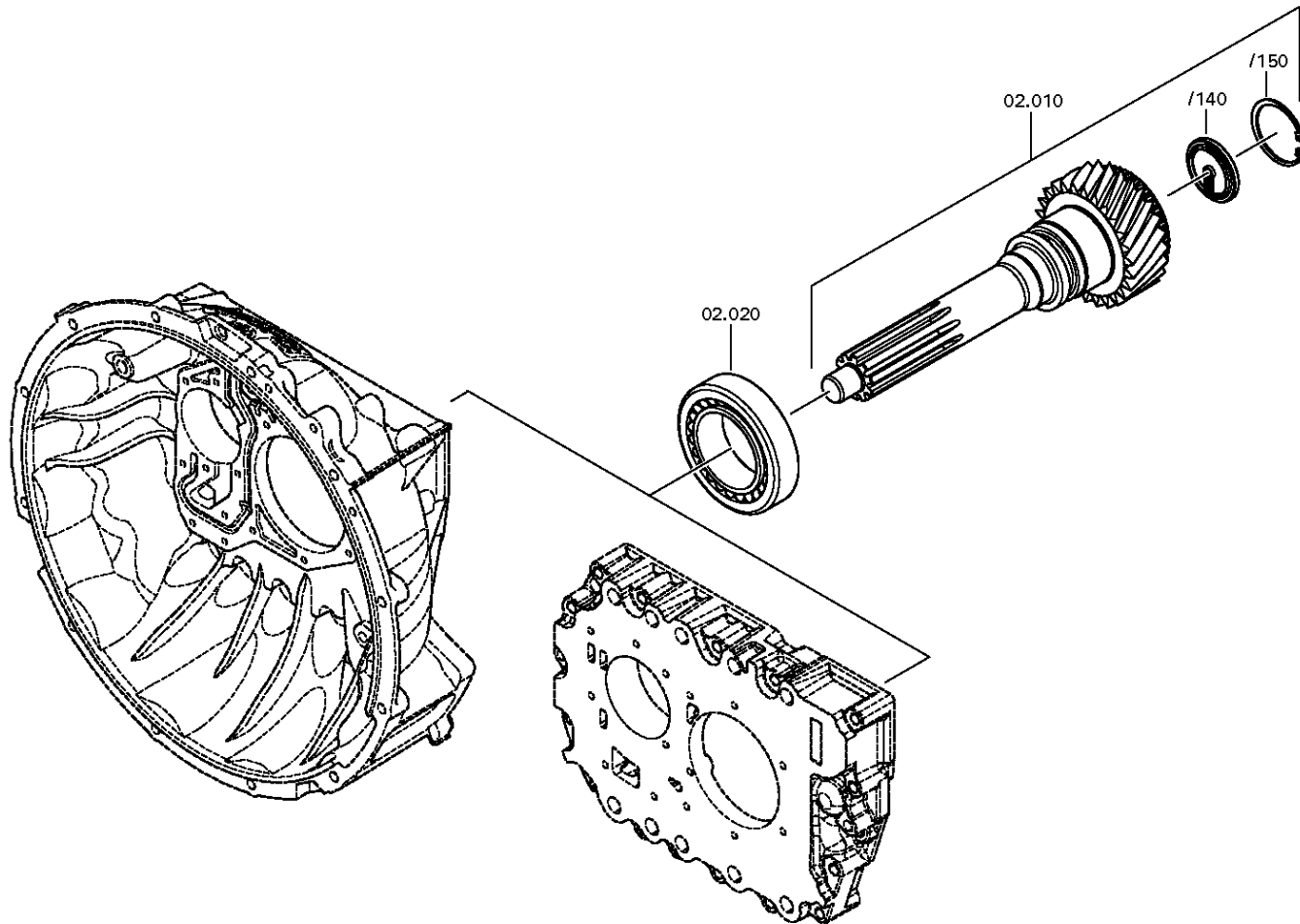
Material number: 1324.002.033

Plant: 062.02.10-1

CONNECTION PLATE



9 S 1110 TD /
CONNECTION PLATE



Plant

Page 3 from 3

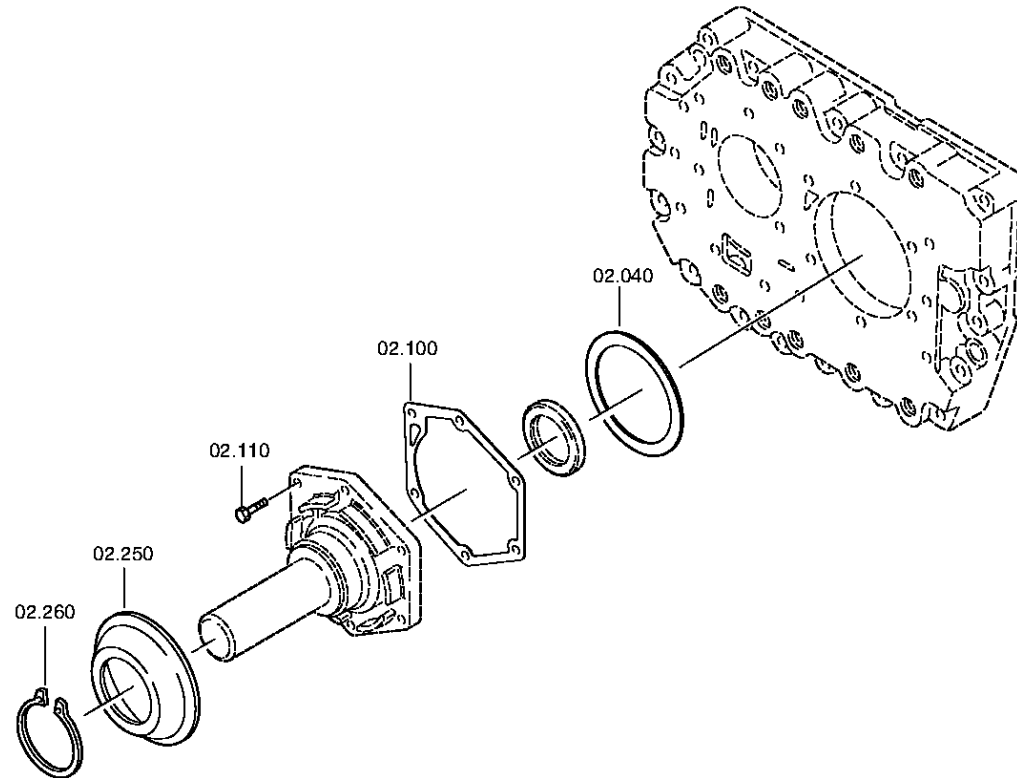
Material number: 1324.002.033

Plant: 062.02.81-1

CONNECTION PLATE



9 S 1110 TD /
CONNECTION PLATE



Plant

Page 1 from 2

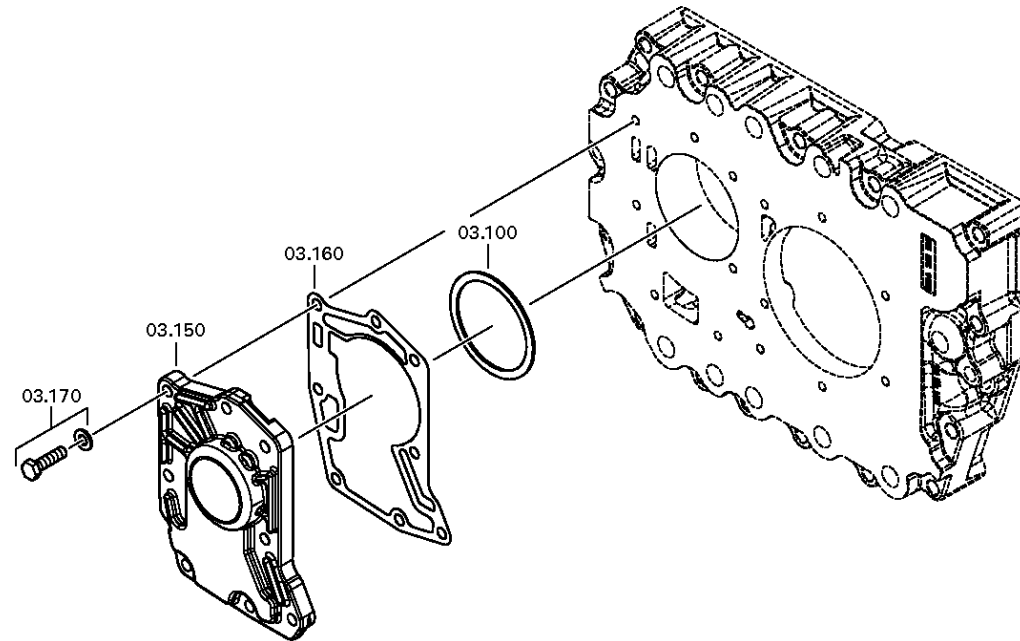
Material number: 1324.002.033

Plant: 062.03.81-1

COUNTERSHAFT



9 S 1110 TD /
COUNTERSHAFT



Plant

Page 2 from 2

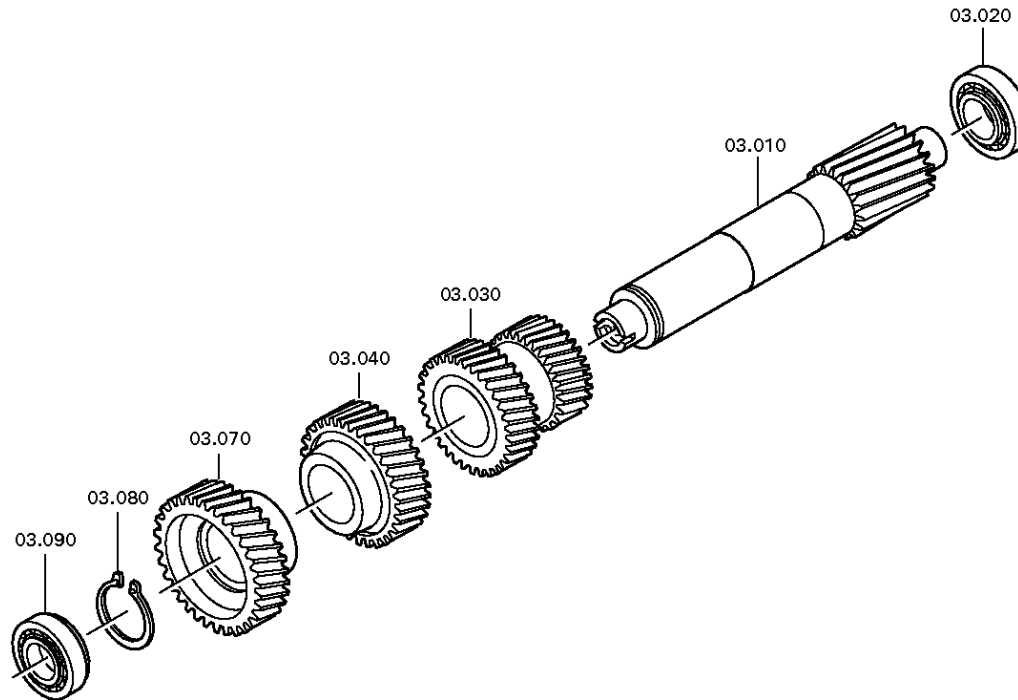
Material number: 1324.002.033

Plant: 062.03.07-1

COUNTERSHAFT



9 S 1110 TD /
COUNTERSHAFT



Plant

Page 1 from 1

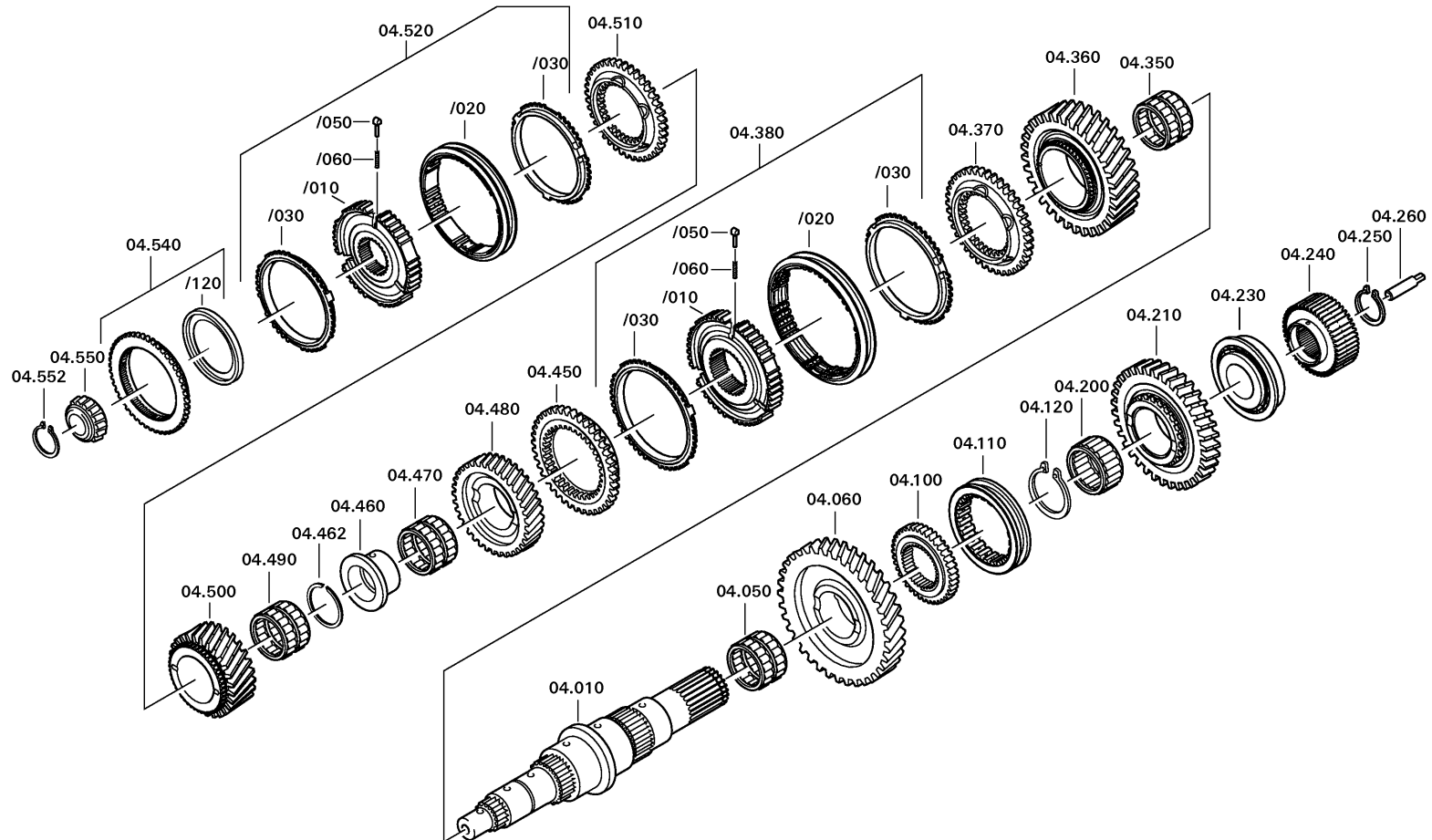
Material number: 1324.002.033

Plant: 062.004.008-1

Material-assembly-group-no: 1324.104.005



9 S 1110 TD /
MAIN SHAFT



Plant

Page 1 from 2

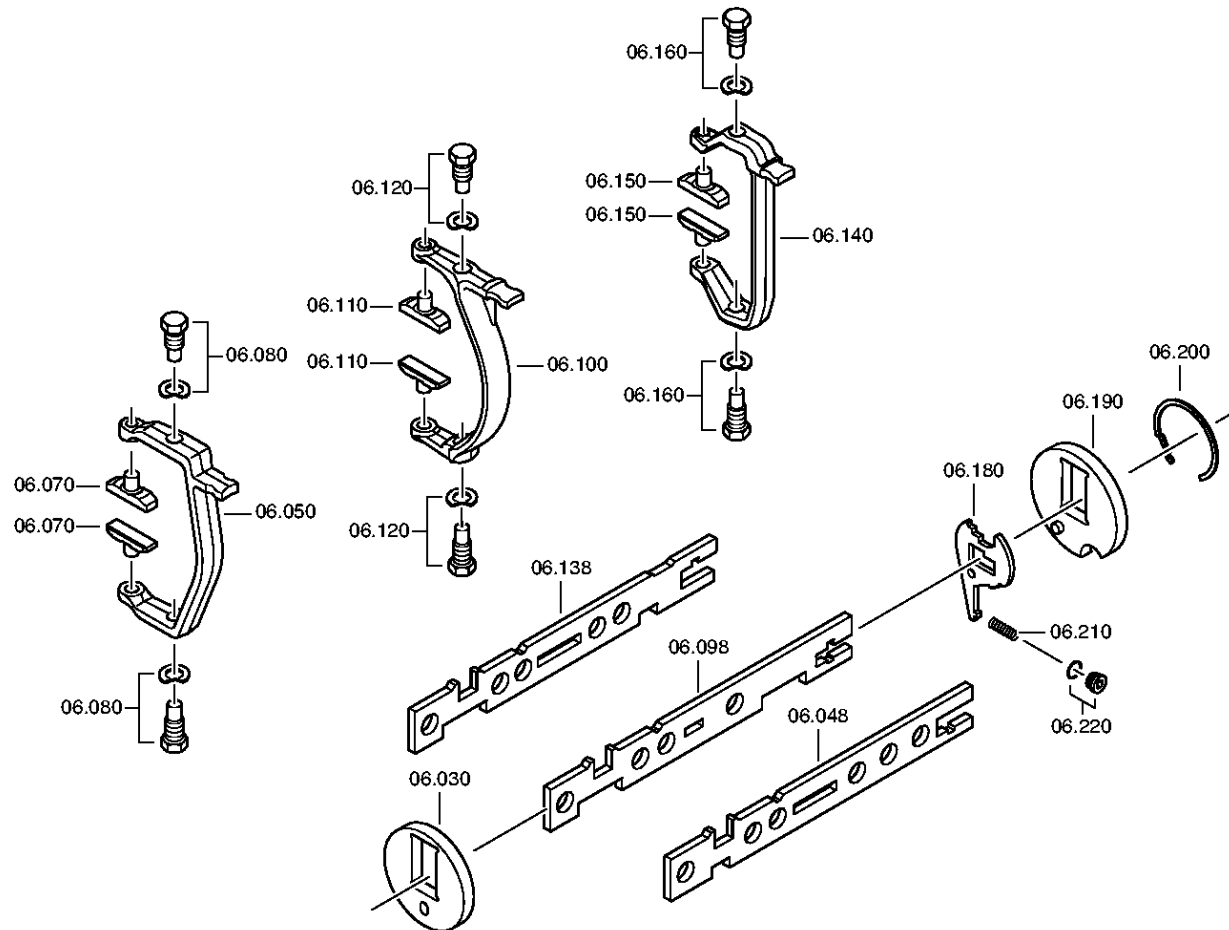
Material number: 1324.002.033

Plant: 062.06.28-1

SHIFT SYSTEM



9 S 1110 TD /
SHIFT SYSTEM



Plant

Page 2 from 2

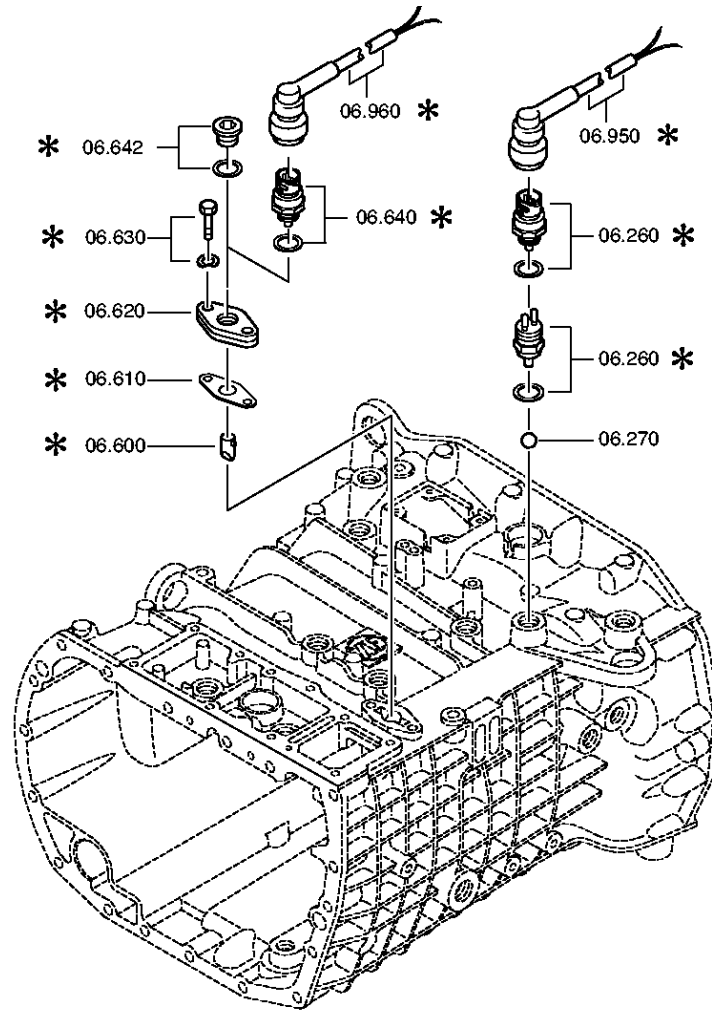
Material number: 1324.002.033

Plant: 062.06.50-1

SHIFT SYSTEM



9 S 1110 TD /
SHIFT SYSTEM



Plant

Page 1 from 3

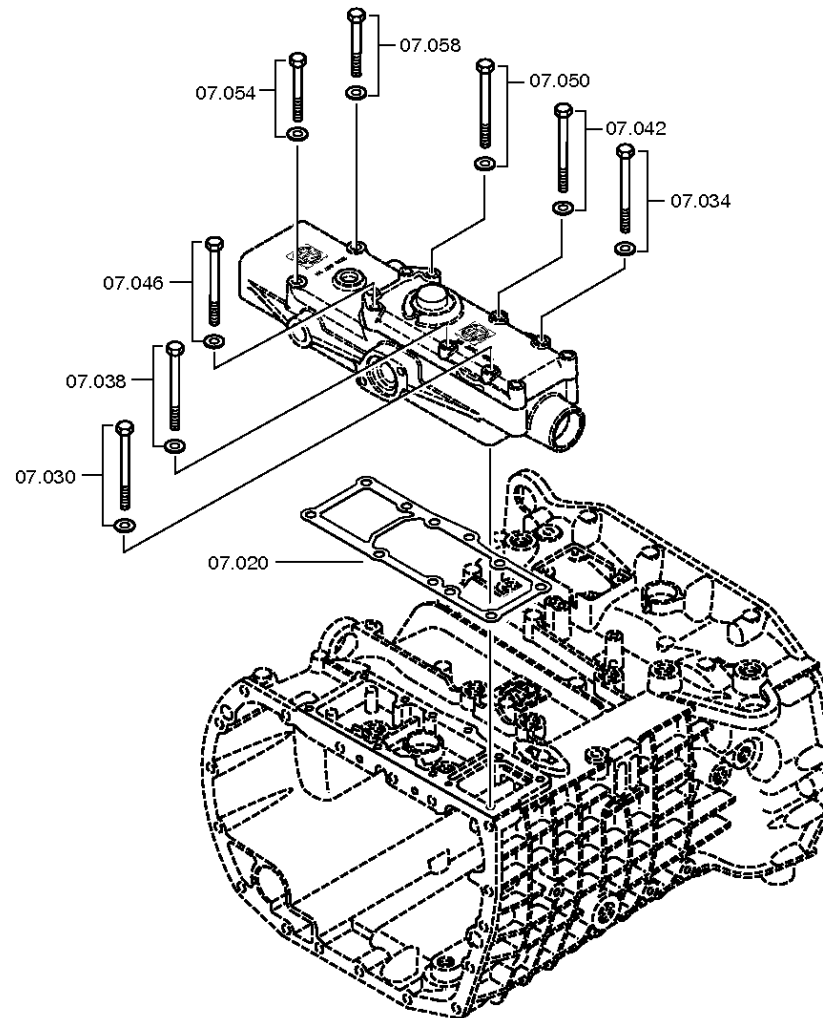
Material number: 1324.002.033

Plant: 062.07.85-1

GEAR SHIFT HOUSING



9 S 1110 TD /
GEAR SHIFT HOUSING



Plant

Page 2 from 3

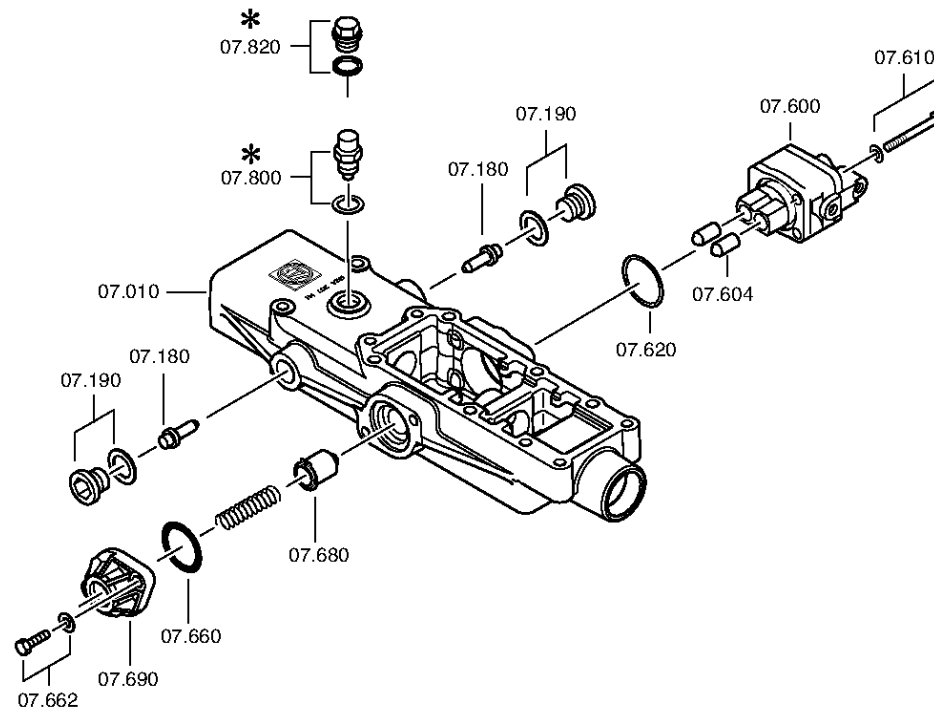
Material number: 1324.002.033

Plant: 062.07.09-1

GEAR SHIFT HOUSING



9 S 1110 TD /
GEAR SHIFT HOUSING



Plant

Page 3 from 3

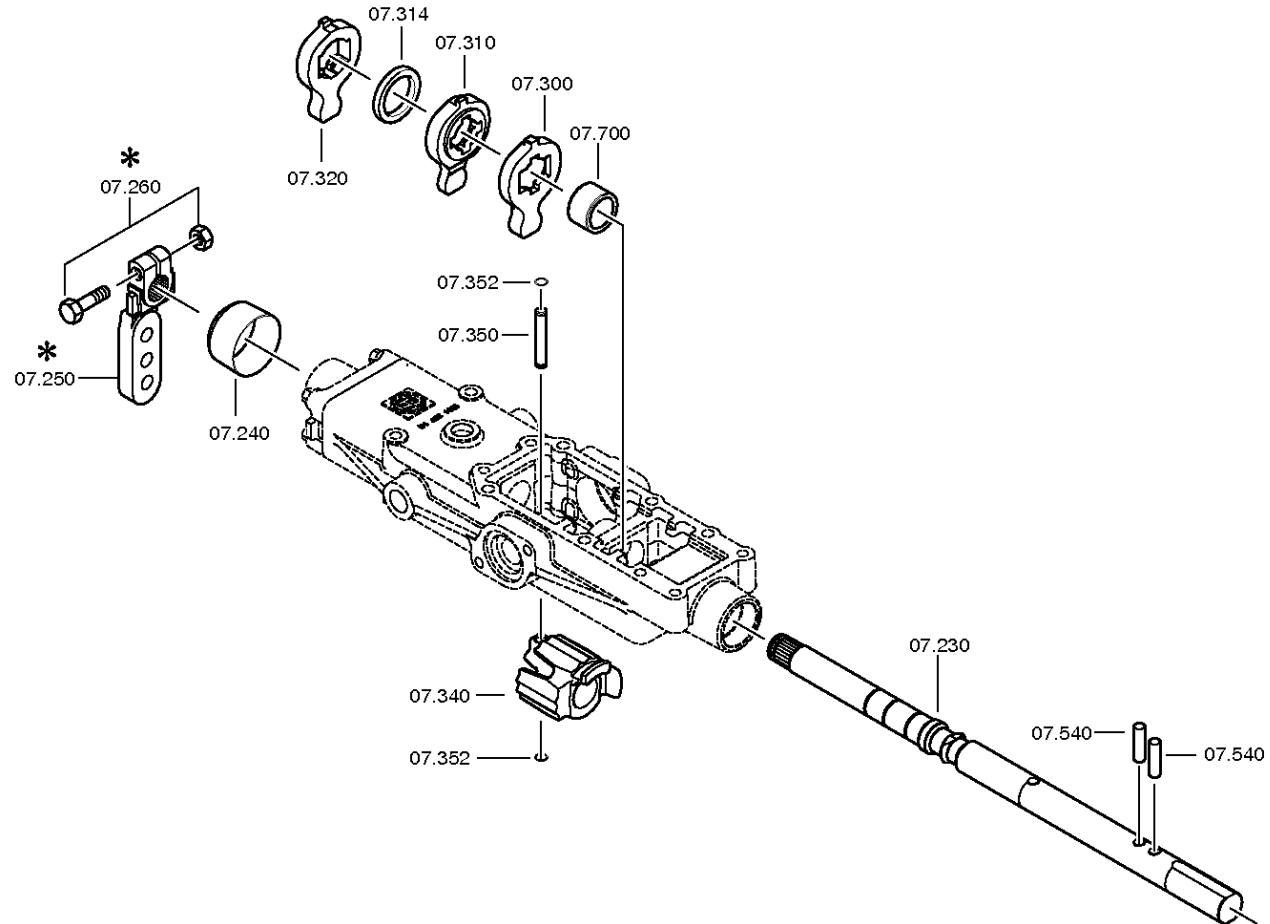
Material number: 1324.002.033

Plant: 062.07.56-1

GEAR SHIFT HOUSING



9 S 1110 TD /
GEAR SHIFT HOUSING



Plant

Page 1 from 3

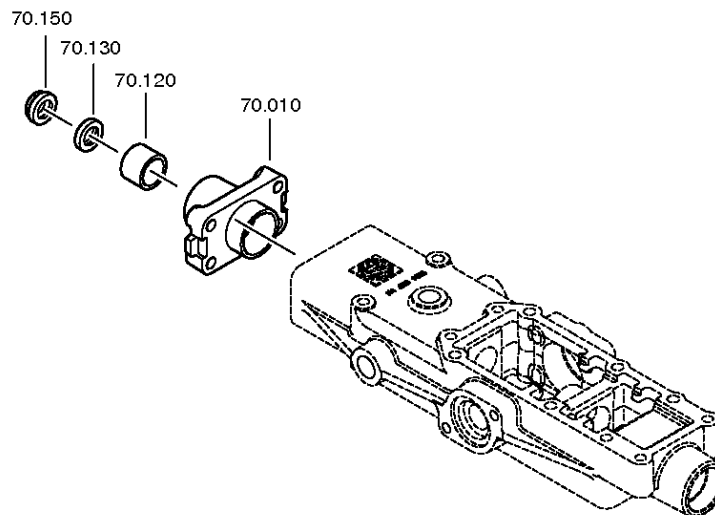
Material number: 1324.002.033

Plant: 062.08.25-1

SHIFT TURRET



9 S 1110 TD /
SHIFT TURRET



Plant

Page 2 from 3

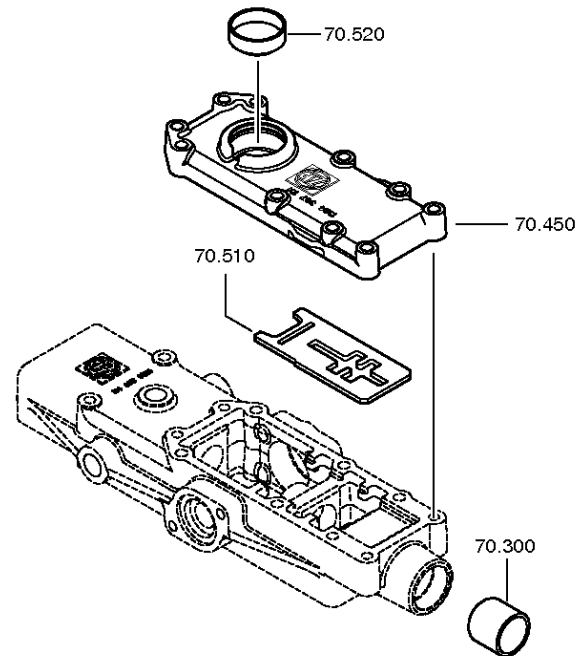
Material number: 1324.002.033

Plant: 062.08.24-1

SHIFT TURRET



9 S 1110 TD /
SHIFT TURRET



Plant

Page 3 from 3

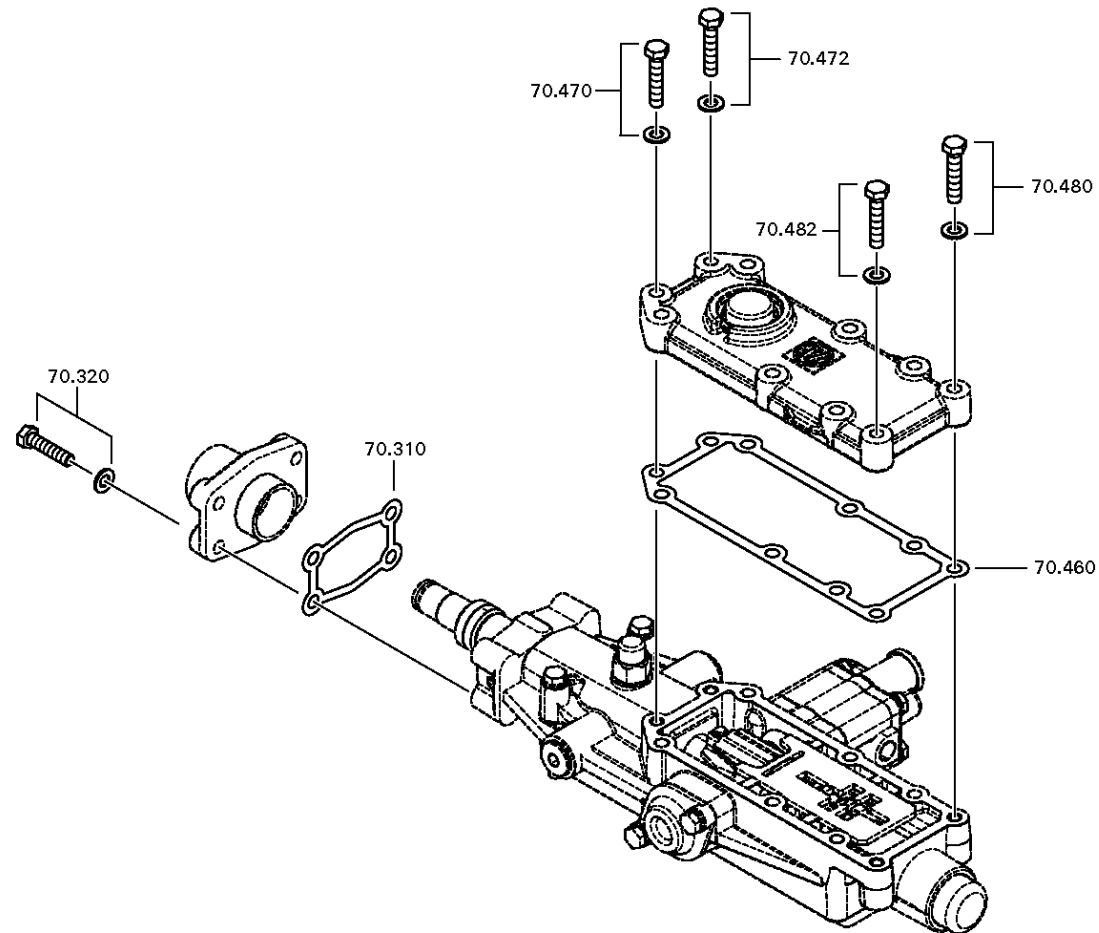
Material number: 1324.002.033

Plant: 062.08.84-1

SHIFT TURRET



9 S 1110 TD /
SHIFT TURRET



Plant

Page 1 from 1

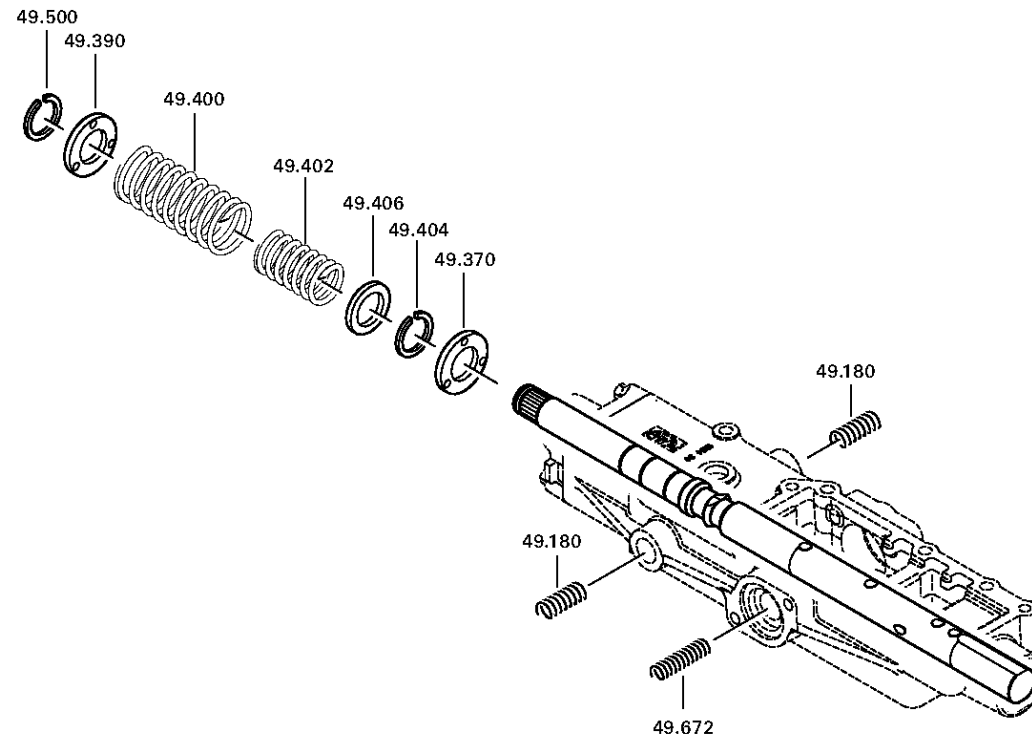
Material number: 1324.002.033

Plant: 062.12.28-1

Material-assembly-group-no: 1324.149.024



9 S 1110 TD /
SET OF SPRINGS



Plant

Page 1 from 2

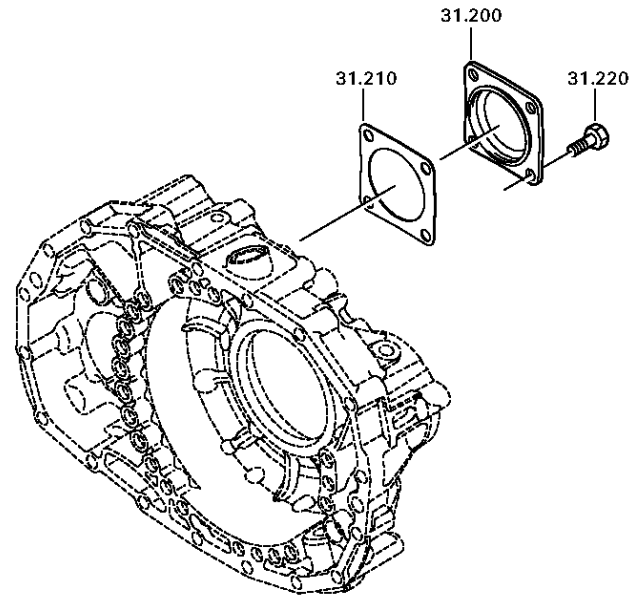
Material number: 1324.002.033

Plant: 062.43.40-1

RC HOUSING



9 S 1110 TD /
RC HOUSING



Plant

Page 2 from 2

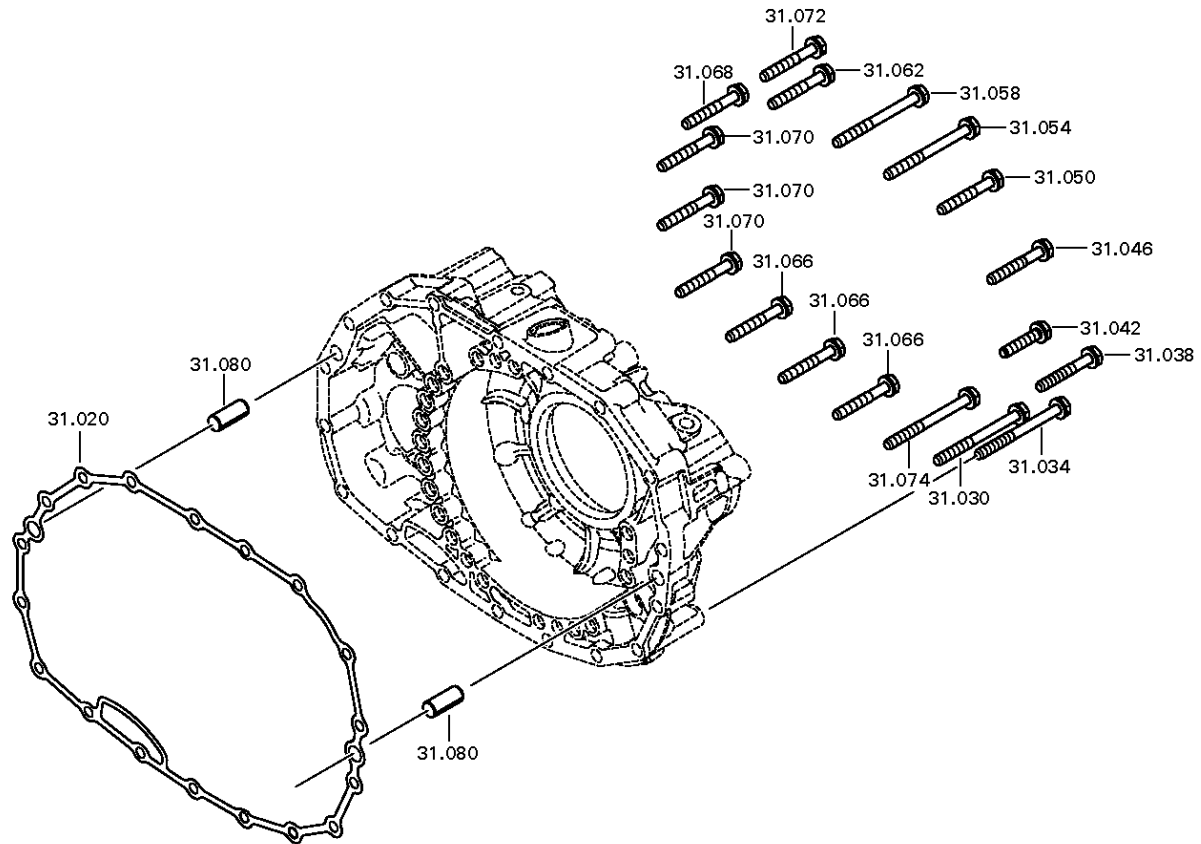
Material number: 1324.002.033

Plant: 062.43.80-1

RC HOUSING



9 S 1110 TD /
RC HOUSING



Plant

Page 1 from 2

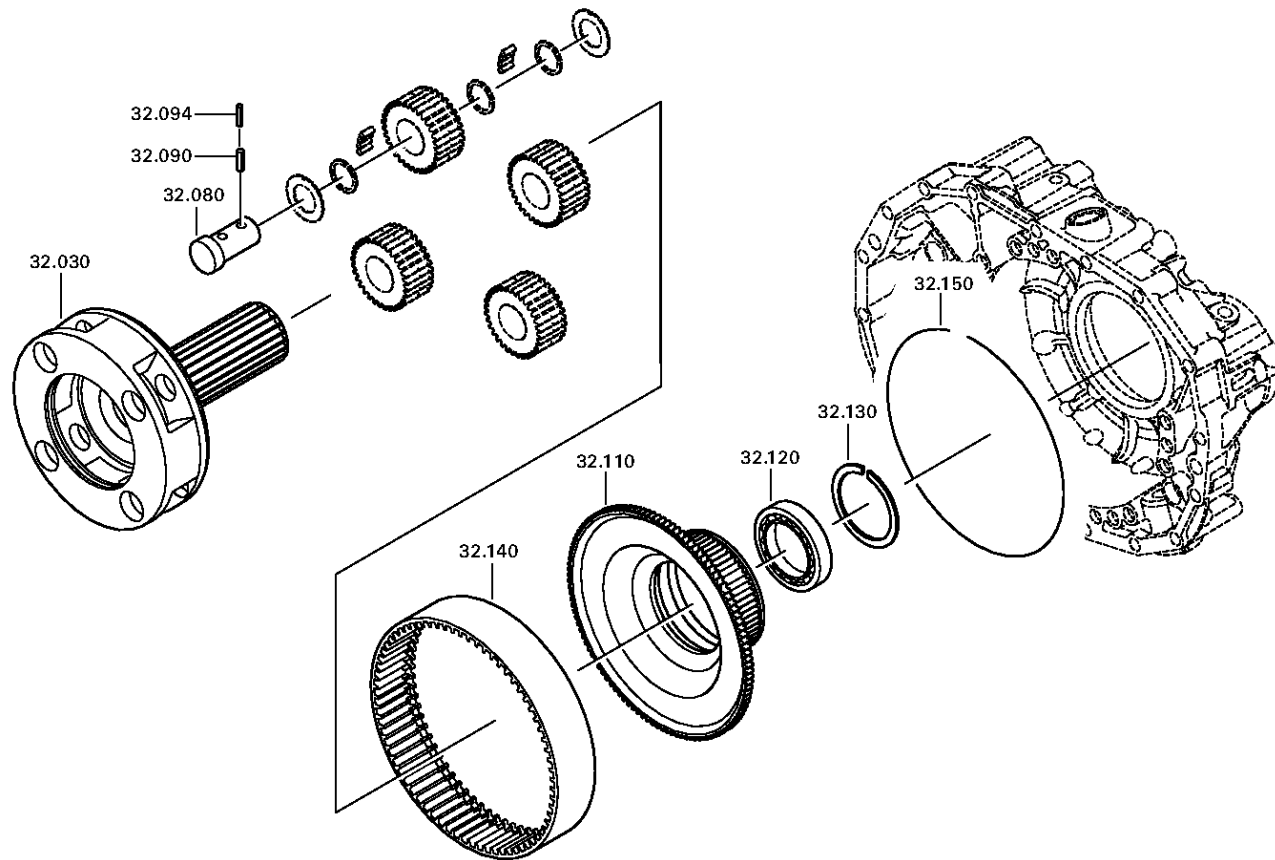
Material number: 1324.002.033

Plant: 062.44.14-1

PLANETARY DRIVE



9 S 1110 TD /
PLANETARY DRIVE



Plant

Page 2 from 2

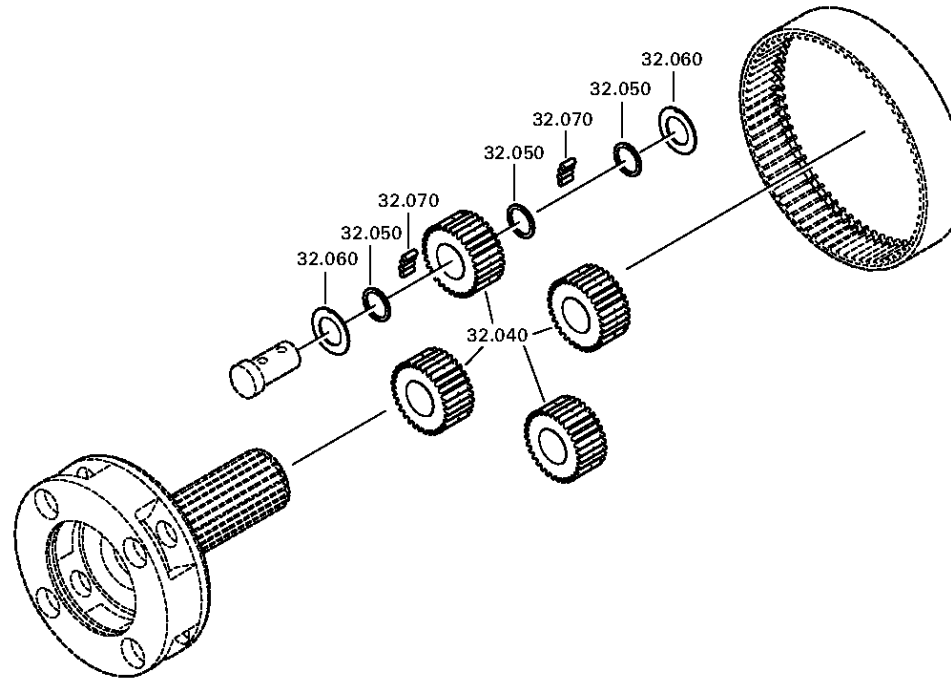
Material number: 1324.002.033

Plant: 062.44.83-1

PLANETARY DRIVE



9 S 1110 TD /
PLANETARY DRIVE



Plant

Page 1 from 2

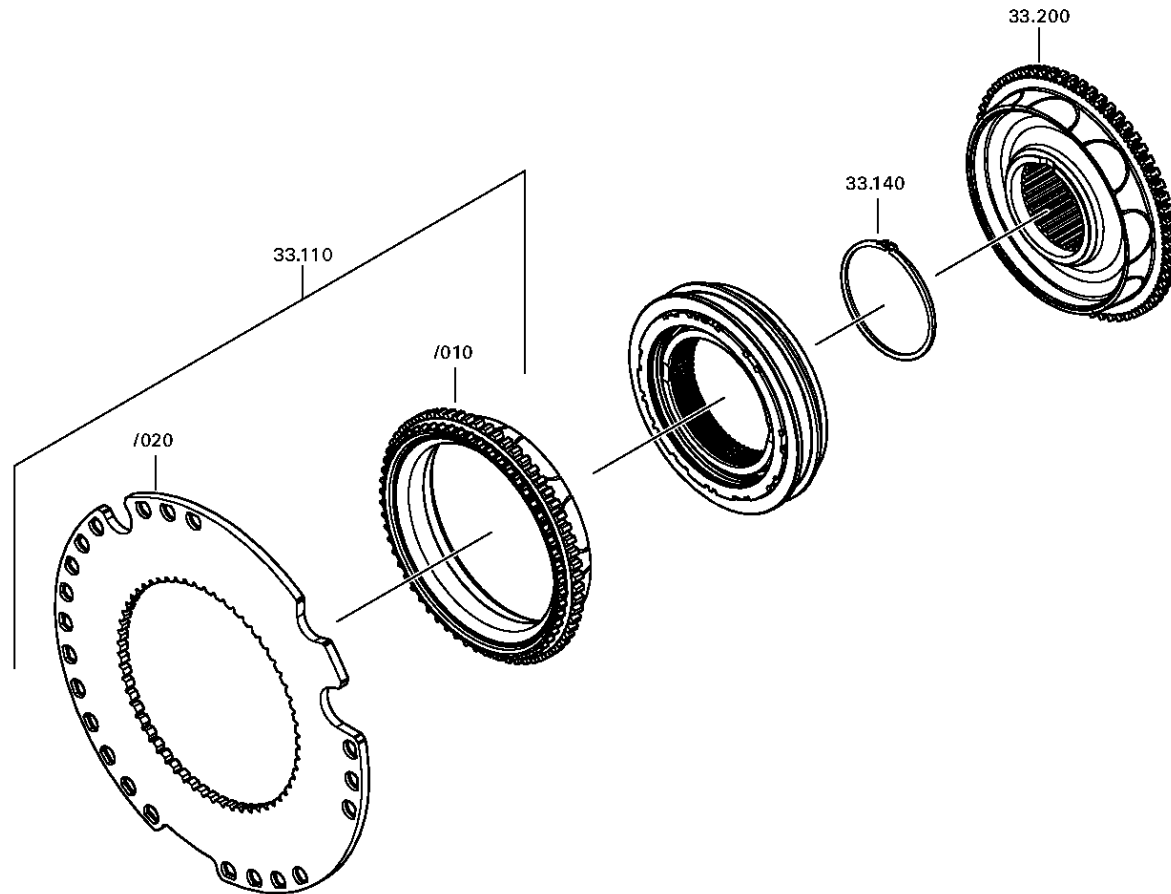
Material number: 1324.002.033

Plant: 062.45.08-1

SYNCHRONIZER



9 S 1110 TD /
SYNCHRONIZER



Plant

Page 2 from 2

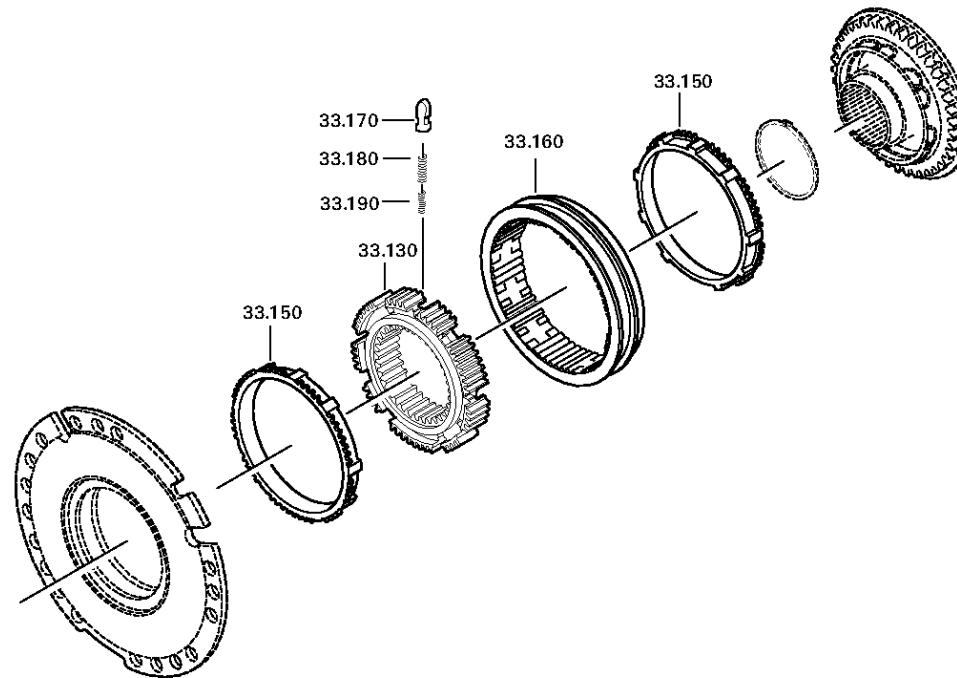
Material number: 1324.002.033

Plant: 062.45.40-1

SYNCHRONIZER



9 S 1110 TD /
SYNCHRONIZER



Plant

Page 1 from 2

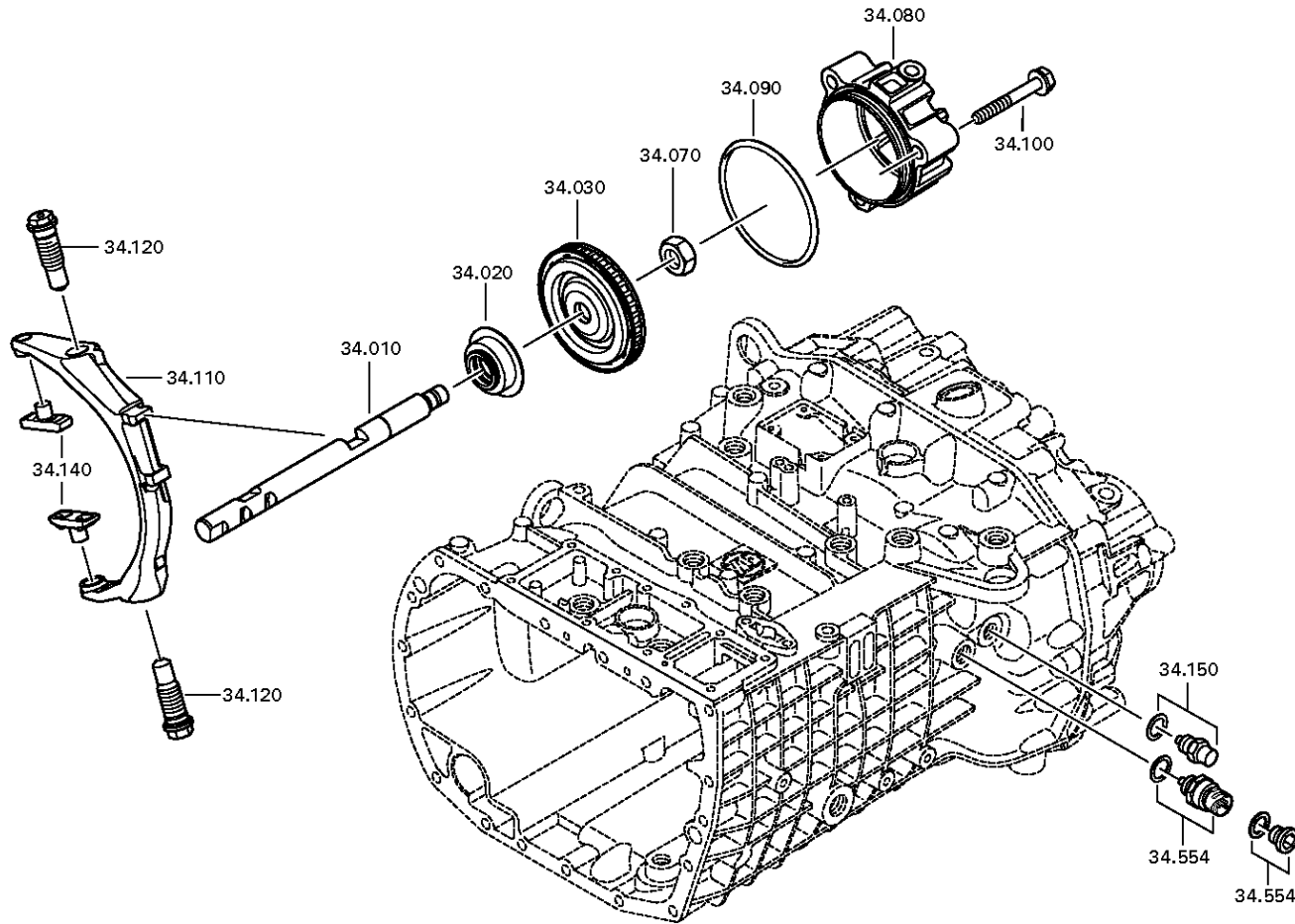
Material number: 1324.002.033

Plant: 062.46.12-1

GP SHIFT SYSTEM



9 S 1110 TD /
GP SHIFT SYSTEM



Plant

Page 2 from 2

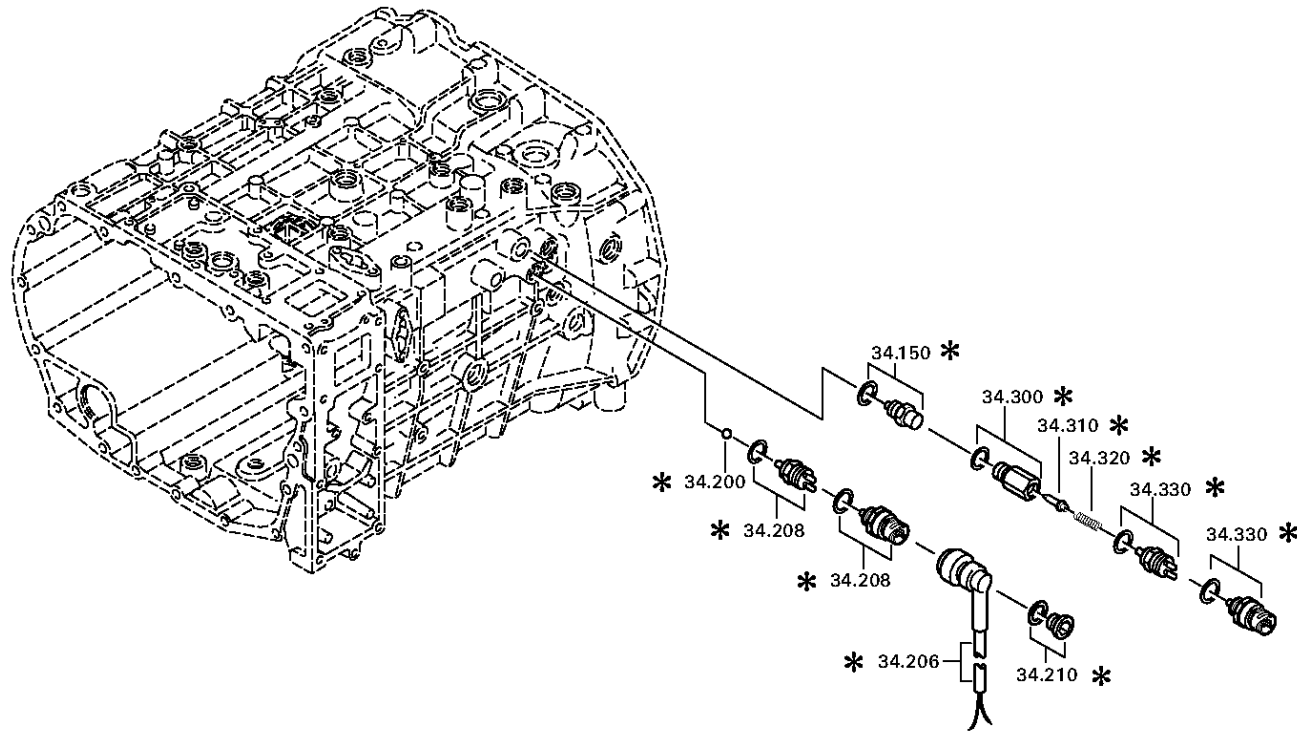
Material number: 1324.002.033

Plant: 062.46.40-1

GP SHIFT SYSTEM



9 S 1110 TD /
GP SHIFT SYSTEM



Plant

Page 1 from 1

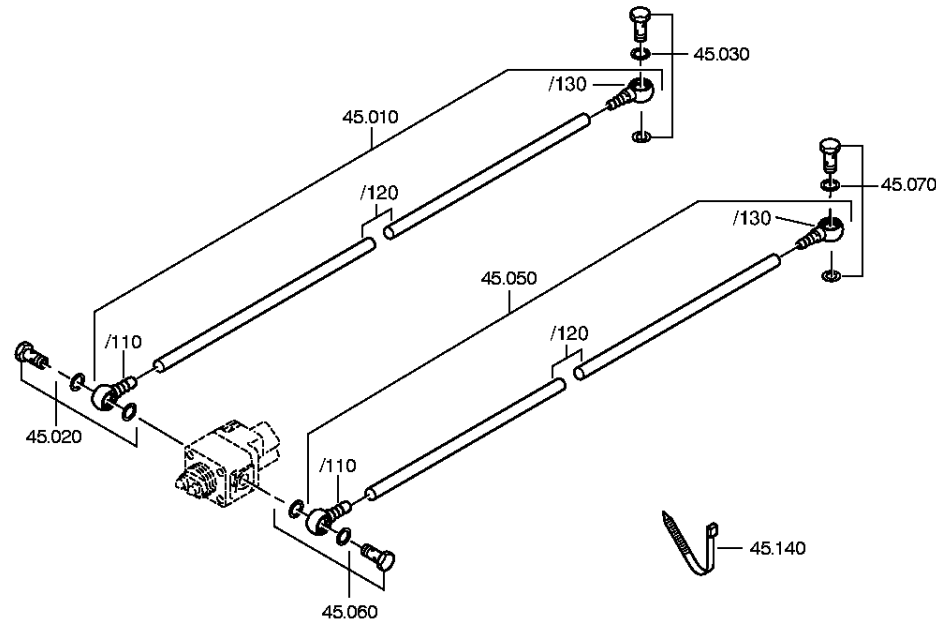
Material number: 1324.002.033

Plant: 062.57.02-1

Material-assembly-group-no: 1324.145.007



9 S 1110 TD /
RANGE SELECTION



Plant

Page 1 from 3

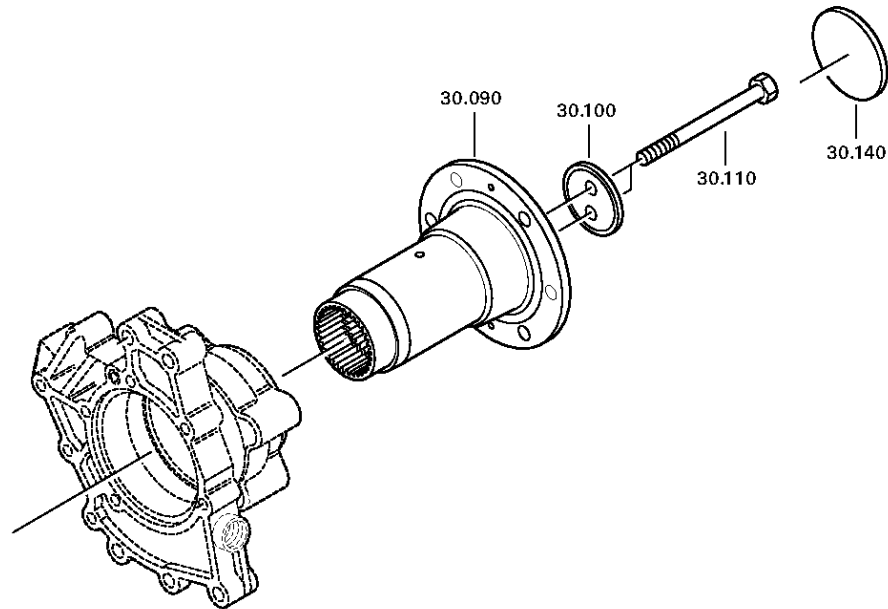
Material number: 1324.002.033

Plant: 062.61.81-1

PARKING BRAKE



9 S 1110 TD /
PARKING BRAKE



Plant

Page 2 from 3

Material number: 1324.002.033

Plant: 062.61.03-1

PARKING BRAKE



9 S 1110 TD /
PARKING BRAKE

There is presently no plate available for this parts list/ assembly.

Plant

Page 3 from 3

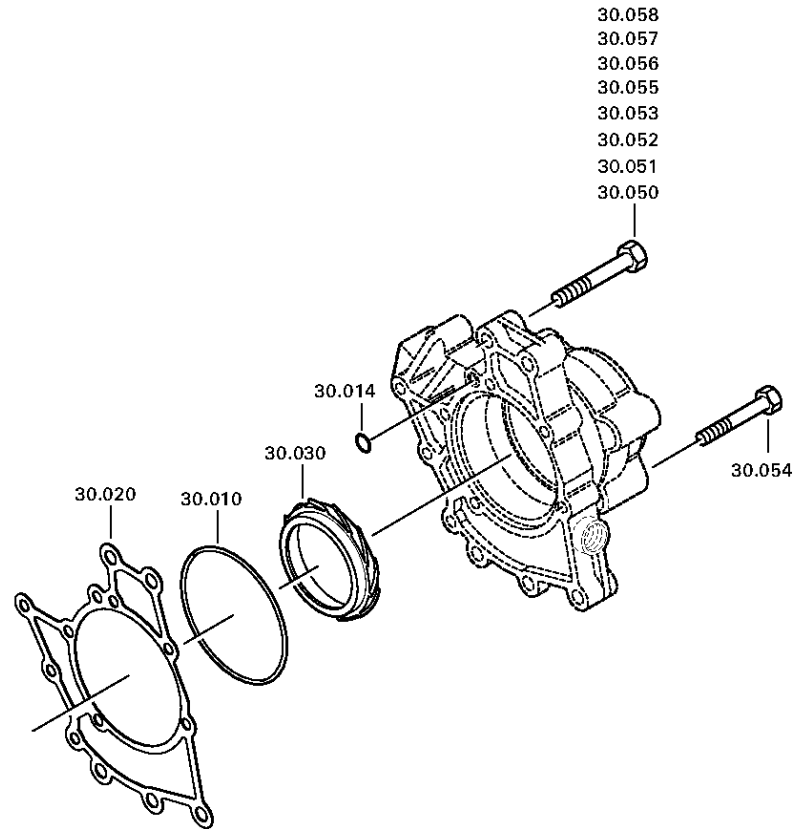
Material number: 1324.002.033

Plant: 062.61.41-1

PARKING BRAKE



9 S 1110 TD /
PARKING BRAKE



Plant

Page 1 from 1

Material number: 1324.002.033

Plant: 062.92.64-1

Material-assembly-group-no: 6060.101.870



9 S 1110 TD /
CLUTCH HOUSING

