



Spare Parts Catalog

12 AS 2301 IT

Material number: 1327.040.025

Current date: 16.08.2023

ZF Friedrichshafen AG
Hauptverwaltung
80038 Friedrichshafen
Deutschland

Telefon: +49 7541 77-0

Telefax: +49 7541 77-908000

www.zf.com

zuständiges Werk:
Friedrichshafen

Notes relating to the spare parts catalog

Setup of the spare parts catalog

- Cover sheet
- Technical Cover (only in SDM print)
- Overview of figures
- Figure
- Associated parts list
- Next figure
- Associated parts list
- ...

Figure and parts list



Overview of figures

Bildtafel Figure	Sachnummer Product number	Benennung (Description)	Technische Info Technical info	Description (Benennung)	Menge Quantity	Einheit Unit
068.08.17	1316.170.001	AUSLEGER	WL	SHIFT TURRET	1	Stk
068.08.06	1316.170.031	DECKEL	WL*H-H *VM	COVER	1	Stk
068.08.14	1316.170.808	DECKEL	WL*AUSL+GEH*H-H*HF160N	COVER	1	Stk
08	1316.170.441	ANSCHLUSSTEILE	WL*NG-VORB*RG-SCHL*168N *BAJONETT	CONNECTING PARTS	1	Stk

The "gap" indicates that there is no separate graphics panel (poster) for this assembly
The parts of this assembly are shown with the same mid-section number on the figure

1 Positions and subpositions

Pos.	Sachnummer Product number	Benennung (Description)	Technische Info Technical info	Description (Benennung)	Menge Quantity	Einheit Unit
0370	1315.201.054	RUECKLAUFBOLZEN	KPL.16S151*SG*L= 79	REV.IDLER SHAFT	1	Stk
/0120	0631.329.293	SPANNSTIFT		SLOT. PIN	1	Stk

Positions marked with "/" are the individual items of a completion
For example: Position 0370 contains a centering pin with the position /0120

2 Combinations with standardized parts

Pos.	Sachnummer Product number	Benennung (Description)	Technische Info Technical info	Description (Benennung)	Menge Quantity	Einheit Unit
0630		VERSCHL.SCHR.		SCREW PLUG	1	Stk
	0636.302.067	VERSCHL.SCHR.		SCREW PLUG	1	Stk
	0634.801.249	DICHTRING	A 26 X 31	SEALING RING	1	Stk

The parts list shows the components included in the combination of standardized parts

3 Depiction of position/item number on the figure and in the parts list

01.620 - on the figure 01 relates to the assembly in which the position is included. Due to program-related reasons, it is shown on the figure.

0620 - in the parts list

Pos.	Sachnummer Product number	Benennung (Description)	Technische Info Technical info	Description (Benennung)	Menge Quantity	Einheit Unit
0620	0732.040.736	DRUCKFEDER		COMPRESSION SPRING	1	Stk

4 *-Positions

Positions marked with an * are optional i.e. inclusion in the parts list is not mandatory.
The following note is shown on the figure

je nach Stücklistenausführung
depending on spec. number
*
suivant la nomenclature
secondo la distinta base

5 Parts, dotted display

Parts with dotted display on the figure are only used for orientation of other parts

Technical Cover

Page 1 from 2

Material number: 1327.040.025



12 AS 2301 IT /

Pos.	Information	Amendment number
001	Use case -----	
002	Customer IVECO MAGIRUS AG	
003	City Ulm	
004	DUNS 31-561-9072	
005	Classification use case -----	
006	APPROVAL NOTE 1 ERSTEINBAU*UEBERPRUEFUNG ERFORDERLICH	
008	Product description -----	
009	ATTACHED AGRREGATES 1 IT ASTRONIC	
011	OUTER DIA. OUTPUT FLANGE RA 180 mm	
012	NO.OF BORES OUTPUT FLANGE HA1 4	
014	BORE DIA. OUTPUT FLANGE RA 15 mm	
018	REF. LENGTH OUTPUT FLANGE RA 109.5 mm	
020	CONNECT.LENGTH, OUTPUT FLANGE 109.5 mm	
021	NUMBER OF OUTPUT FLANGE BORES 4	
023	OUTSIDE DIA., OUTPUT FLANGE 180 mm	
024	DIAMETER, BORE, OUTPUT FLANGE 15 mm	
025	ATTACHM.VAR,EMERG.STRG PUMP WITHOUT GROOVE	
032	ATTACHM.POS.HEAT EXCHANGER BACK LEFT	
033	1.INST.INSTRUCTION HEAT EXCHANGER WITH	
034	OIL CAPACITY, GEARBOX 21 dm3	
035	OIL FILL VARIANT EX WORKS	
036	OIL GRADE PERMISSIBLE ACC. TO TE-ML02	
037	CODING OUTER CONSERVATION KA1	
038	SCOPE OUTER CONSERVATION T	
039	CODING INNER CONSERVATION KI1	
040	CONSERVATION SPECIFICATION ZFN 916	
041	NUMBER OF PLUGS 15	
042	CODING NUMBER OF PLUGS	
043	COLOR JET BLACK	
044	COLOUR CLASSIFICATION ACC. TO RAL 9005	
046	INFO TO PAINTING INSTRUCTIONS	
047	TRANSMISSION VARIANT INTARDER	
048	NUMBER OF GEARS 12	

Technical Cover

Page 2 from 2

Material number: 1327.040.025



12 AS 2301 IT /

Pos.	Information	Amendment number
049	CHECK INFO HG GESCHALTET NACH FUNKTIONSL.	
050	NOTE INSPECTION PROGRAM 12GEAR DD	
052	CLEANNES SPECIFICATION ZFN 5015	
073	CLEANNES SCALE NUMBER 1 20	
074	CLEANNES SCALE NUMBER 2 16	
100	Alias ID -----	
101	IVECO MAGIRUS AG 8869903	

Assembly group overview

Page 1 from 1

Material number: 1327.040.025



12 AS 2301 IT /

Picture	Pos.	Material number	Name	Quantity	Amend. no.	Techn. Info.
105.A1.01-1	910	1327.001.043	12 AS TD/TO	1		
	922	6085.020.028	IT ASTRONIC	1		
105.B3.01-1	916	6009.074.027	GS 3	1		
	924	6085.177.320	ACCESSORIES	1		
105.C1.003-1	998	6009.374.276	INSPECTION PROGRAM	1		

Picture

Page 1 from 1

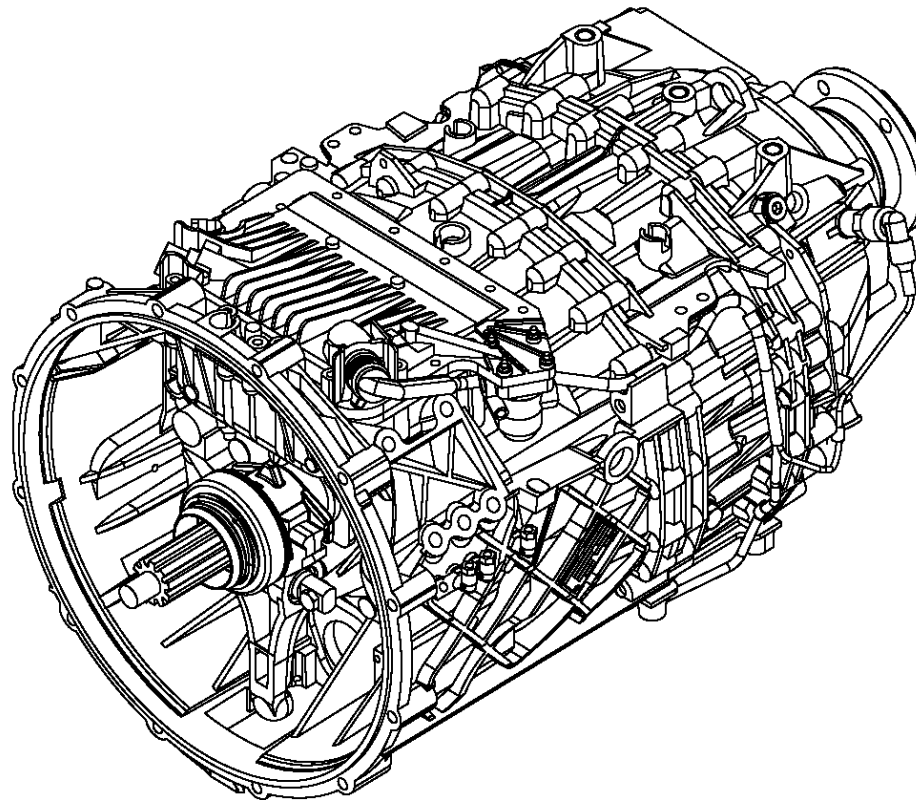
Material number: 1327.040.025

Picture: 105.A1.01-1

Material-assembly-group-no: 1327.001.043



12 AS 2301 IT /
12 AS TD/TO



Picture

Page 1 from 1

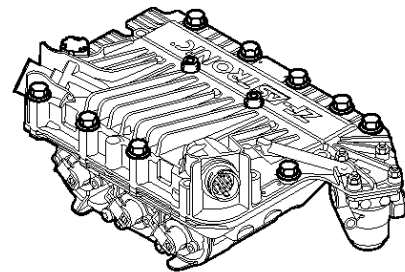
Material number: 1327.040.025

Picture: 105.B3.01-1

Material-assembly-group-no: 6009.074.027



12 AS 2301 IT /
GS 3



Picture

Page 1 from 2

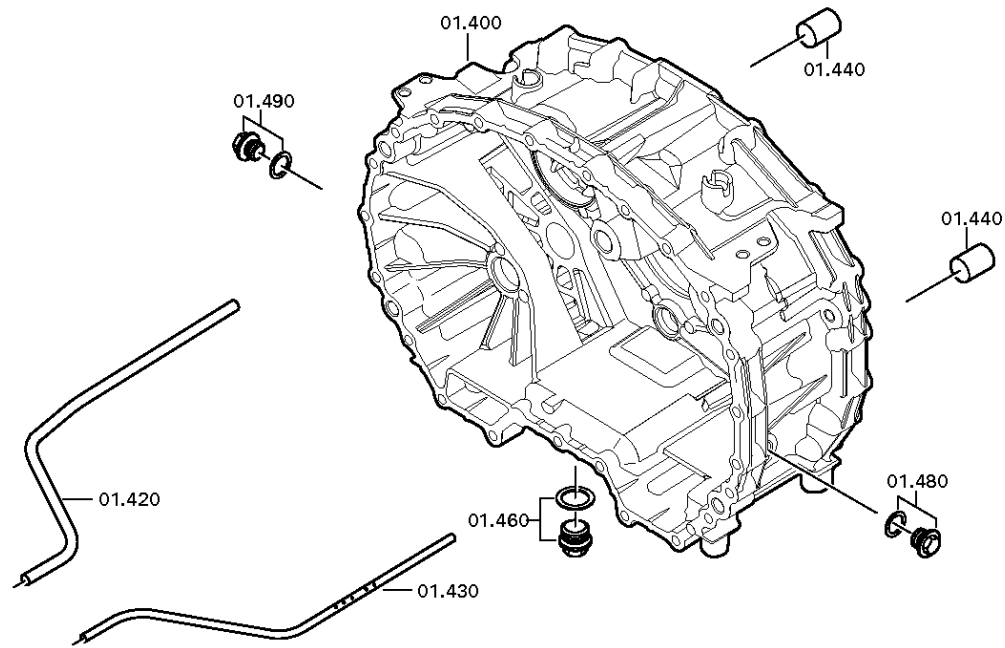
Material number: 1327.001.043

Picture: 105.01.43-1

TRANSMISSION HOUSING



12 AS 2301 IT /
TRANSMISSION HOUSING



Picture

Page 2 from 2

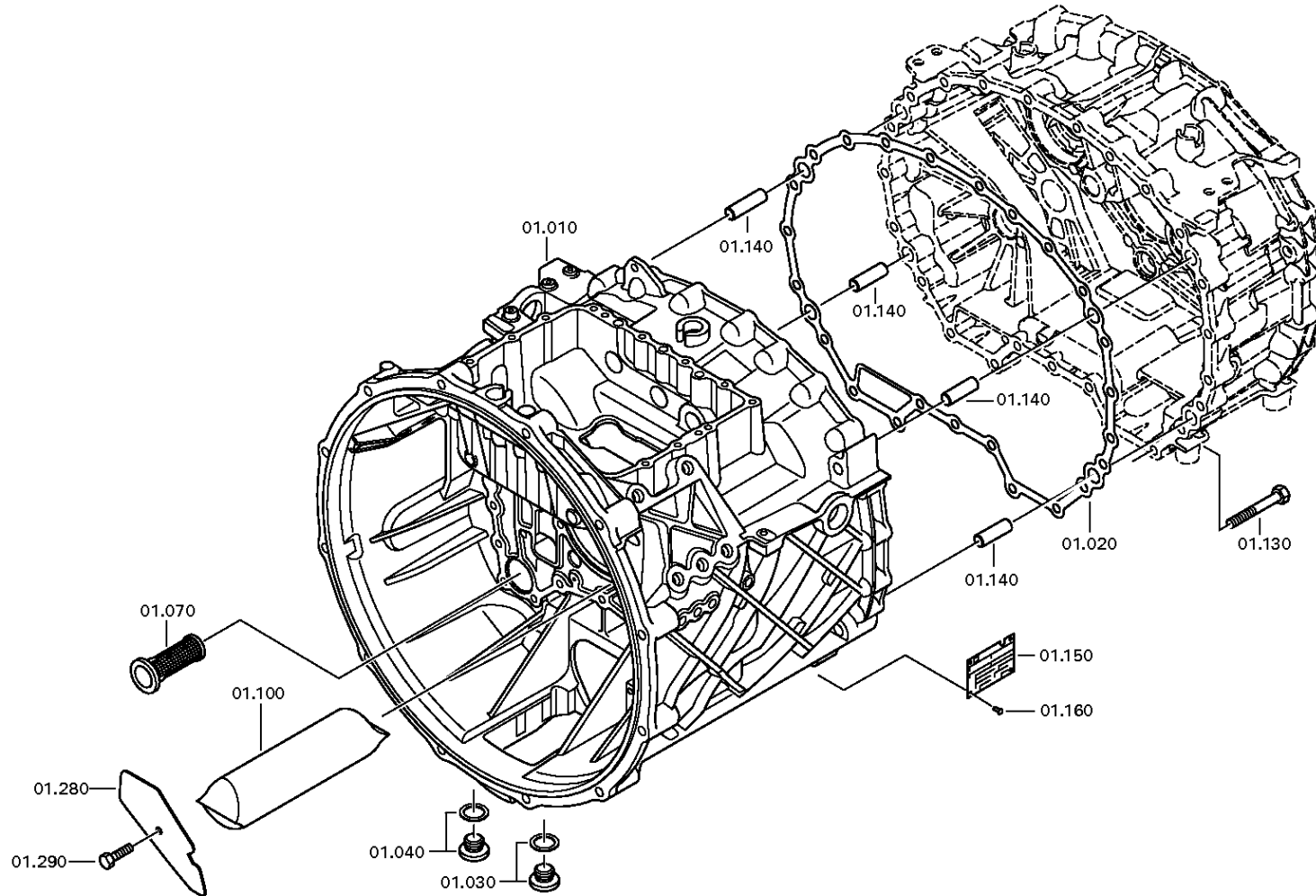
Material number: 1327.001.043

Picture: 105.01.05-1

TRANSMISSION HOUSING



12 AS 2301 IT /
TRANSMISSION HOUSING



Picture

Page 1 from 3

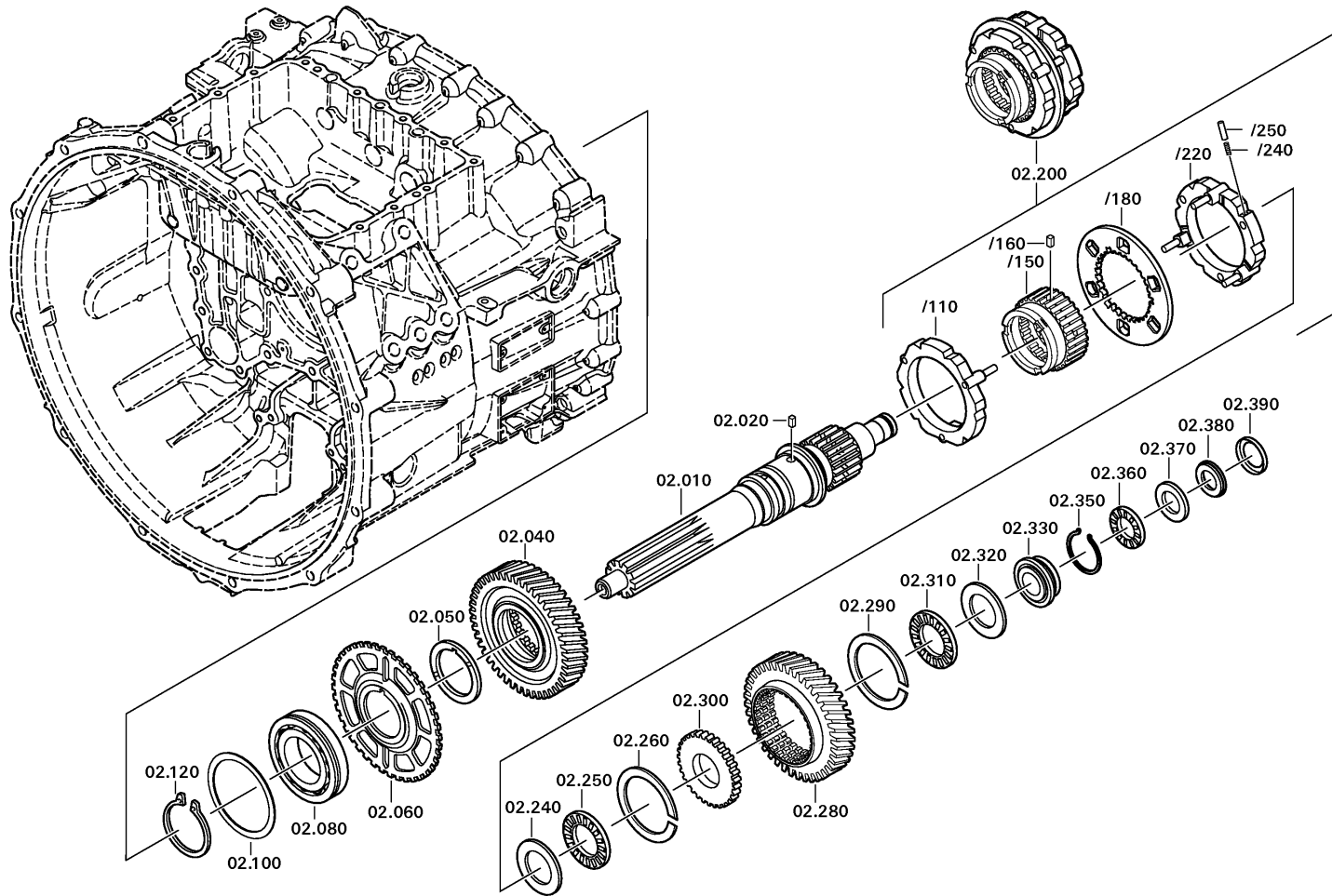
Material number: 1327.001.043

Picture: 105.02.03-1

INPUT SHAFT



12 AS 2301 IT /
INPUT SHAFT



Picture

Page 2 from 3

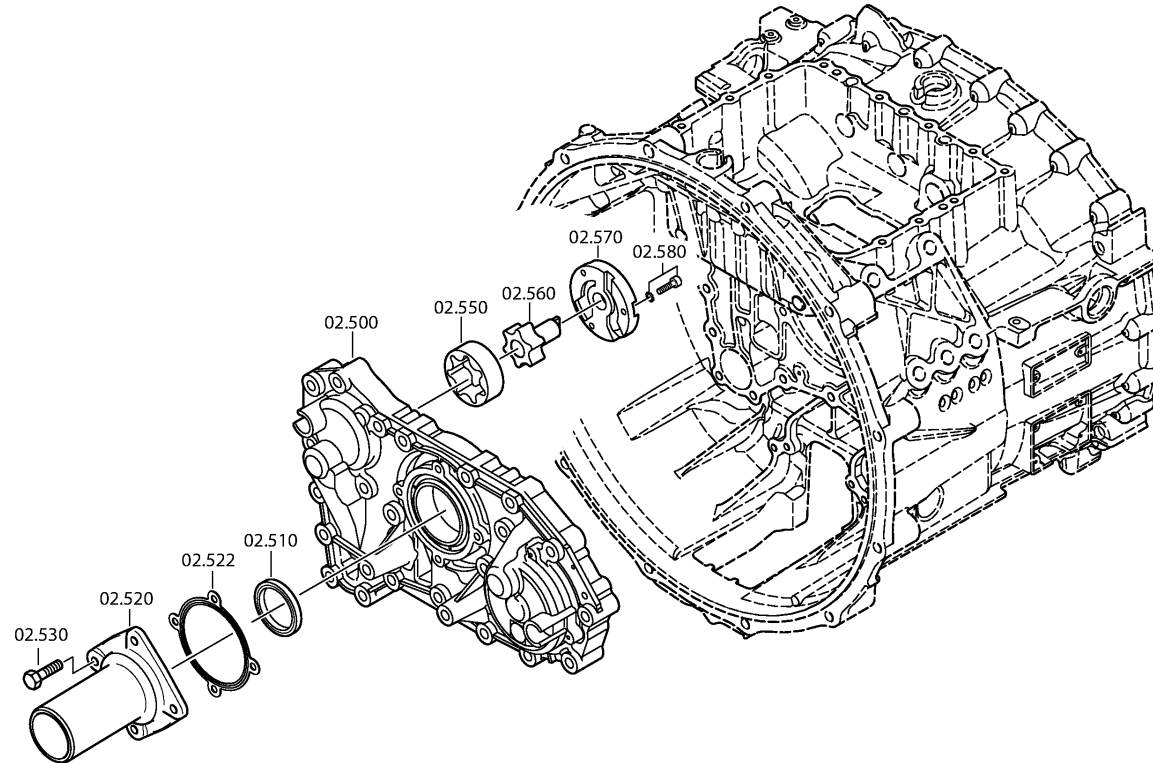
Material number: 1327.001.043

Picture: 105.02.40-1

INPUT SHAFT



12 AS 2301 IT /
INPUT SHAFT



Picture

Page 3 from 3

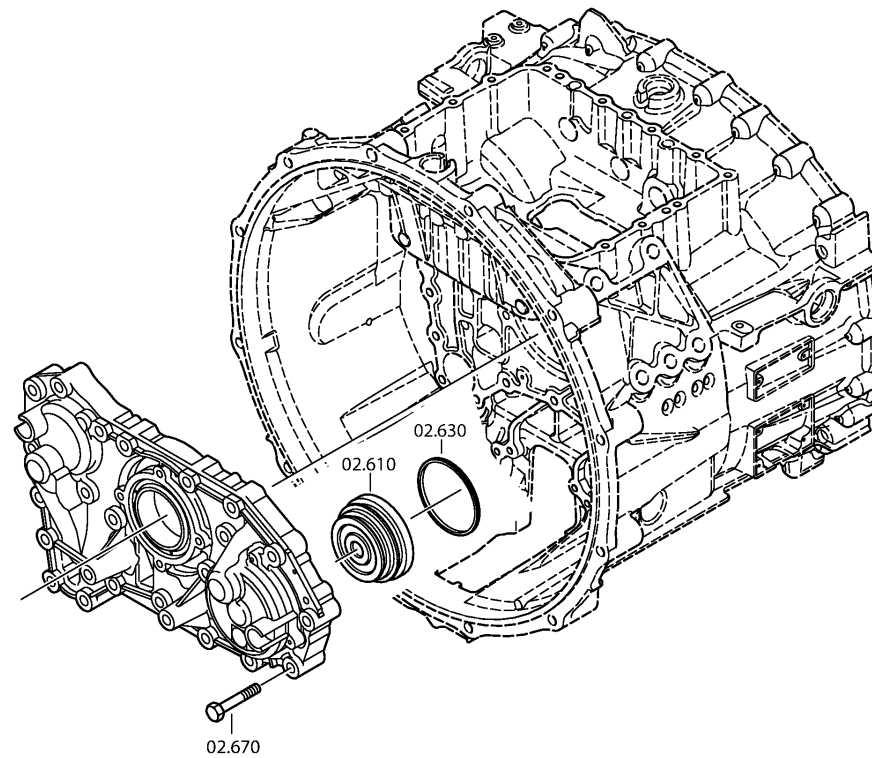
Material number: 1327.001.043

Picture: 105.02.80-1

INPUT SHAFT



12 AS 2301 IT /
INPUT SHAFT



Picture

Page 1 from 2

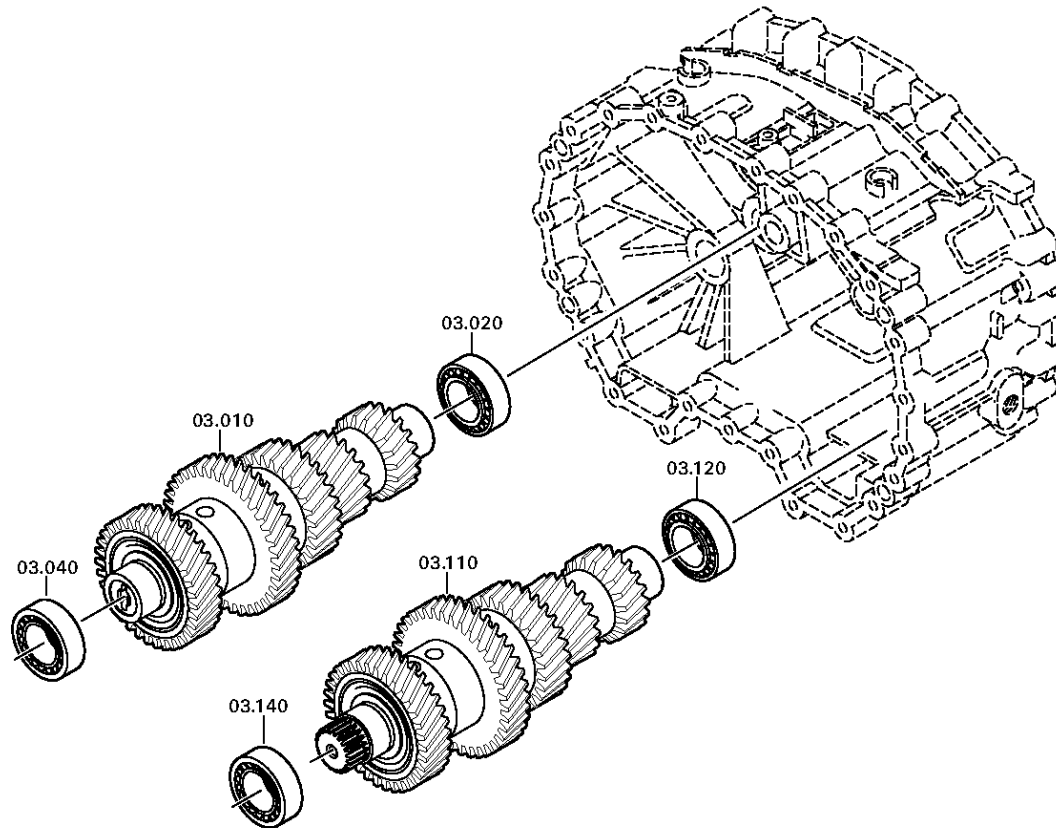
Material number: 1327.001.043

Picture: 105.03.02-1

COUNTERSHAFT



12 AS 2301 IT /
COUNTERSHAFT



Picture

Page 2 from 2

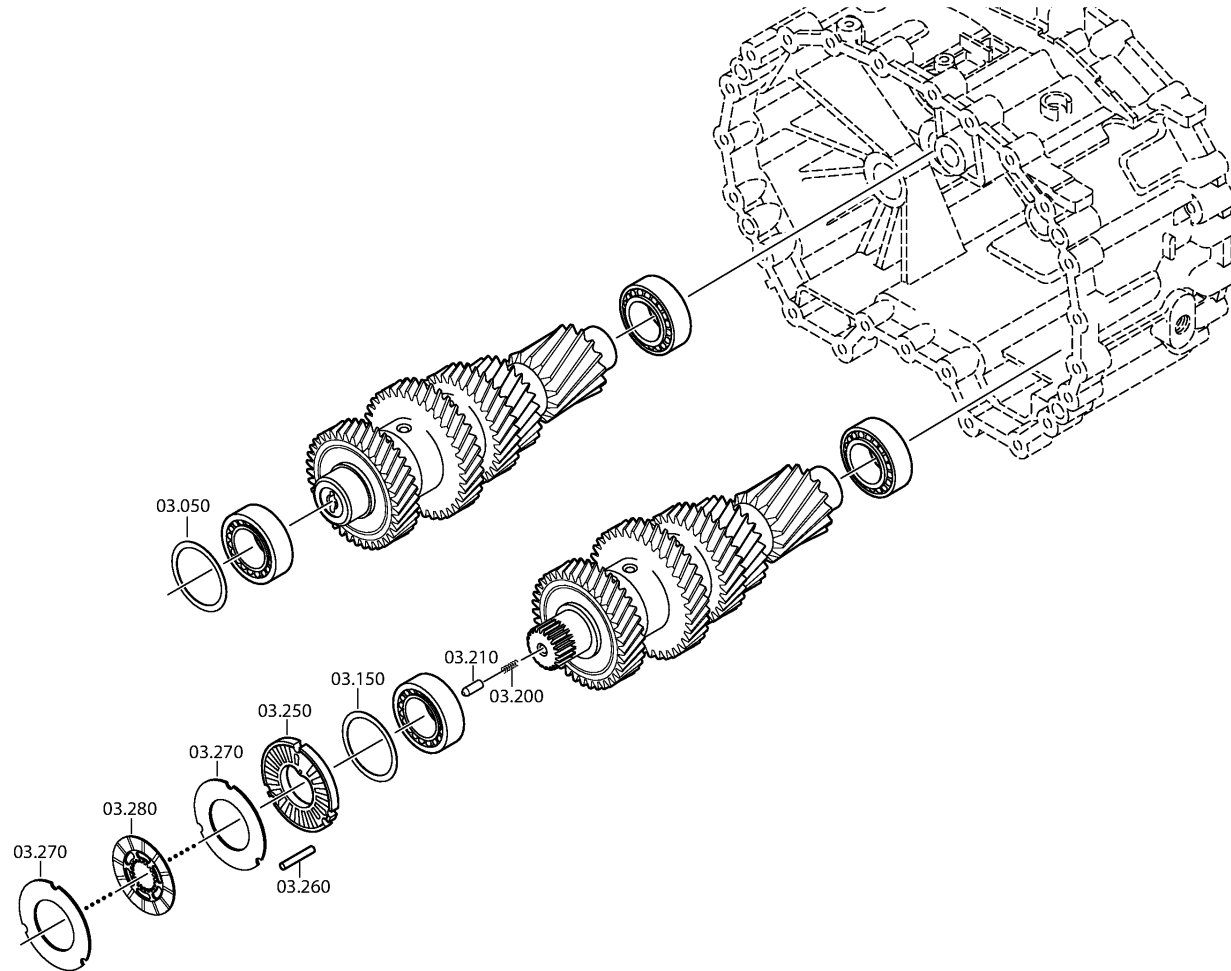
Material number: 1327.001.043

Picture: 105.03.80-1

COUNTERSHAFT



12 AS 2301 IT /
COUNTERSHAFT



Picture

Page 1 from 1

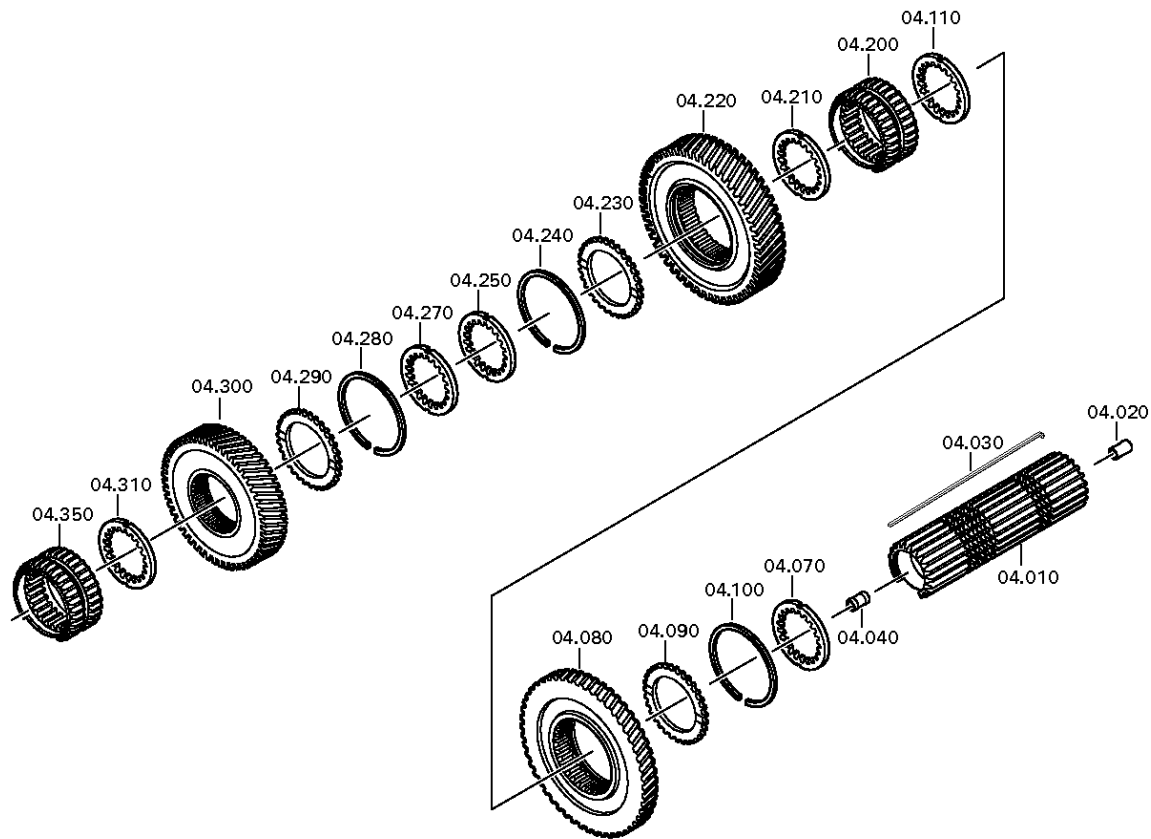
Material number: 1327.001.043

Picture: 105.04.05-1

Material-assembly-group-no: 1327.104.017



12 AS 2301 IT /
MAIN SHAFT



Picture

Page 1 from 1

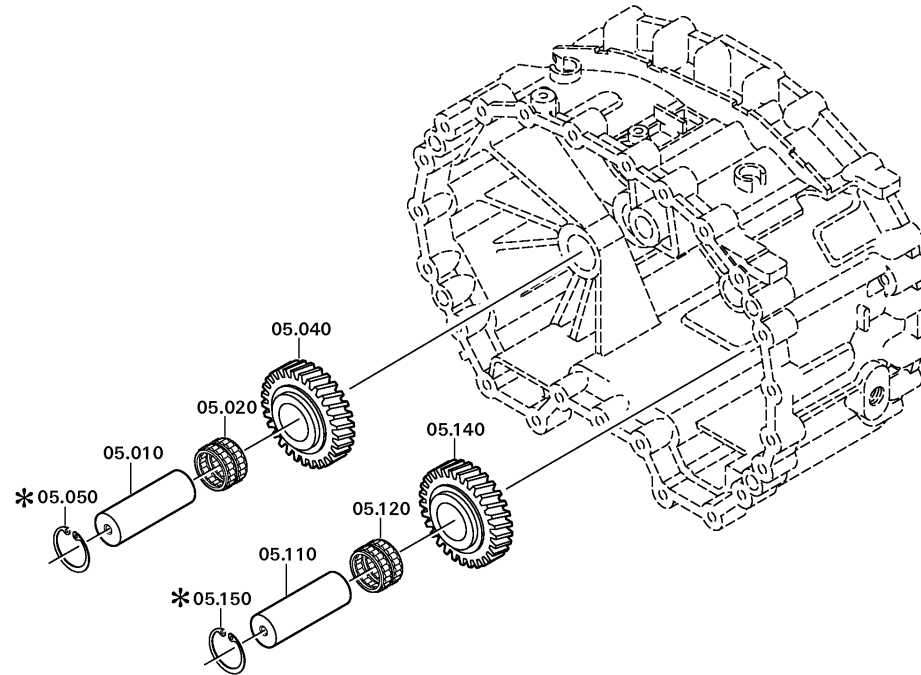
Material number: 1327.001.043

Picture: 105.005.001-1

Material-assembly-group-no: 1328.105.005



12 AS 2301 IT /
RETURN



Picture

Page 1 from 3

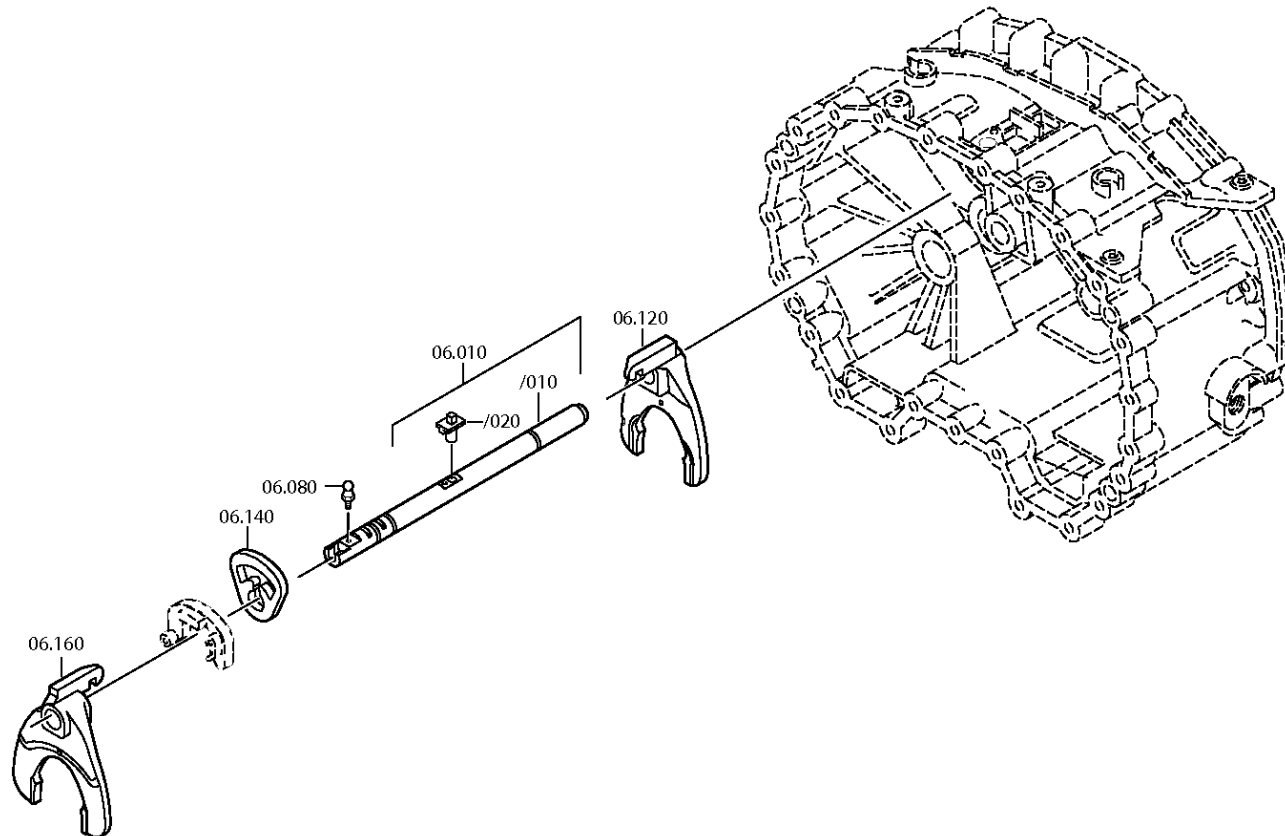
Material number: 1327.001.043

Picture: 105.06.08-1

SHIFT SYSTEM



12 AS 2301 IT /
SHIFT SYSTEM



Picture

Page 2 from 3

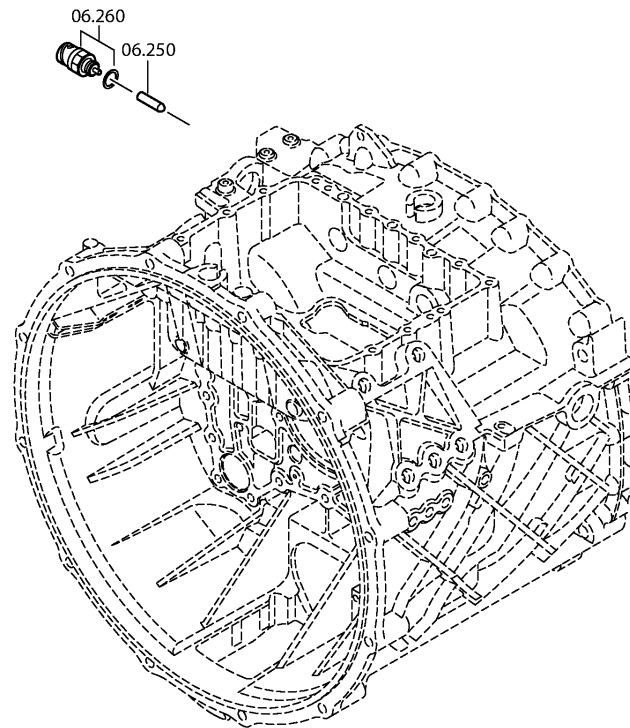
Material number: 1327.001.043

Picture: 105.06.40-1

SHIFT SYSTEM



12 AS 2301 IT /
SHIFT SYSTEM



Picture

Page 3 from 3

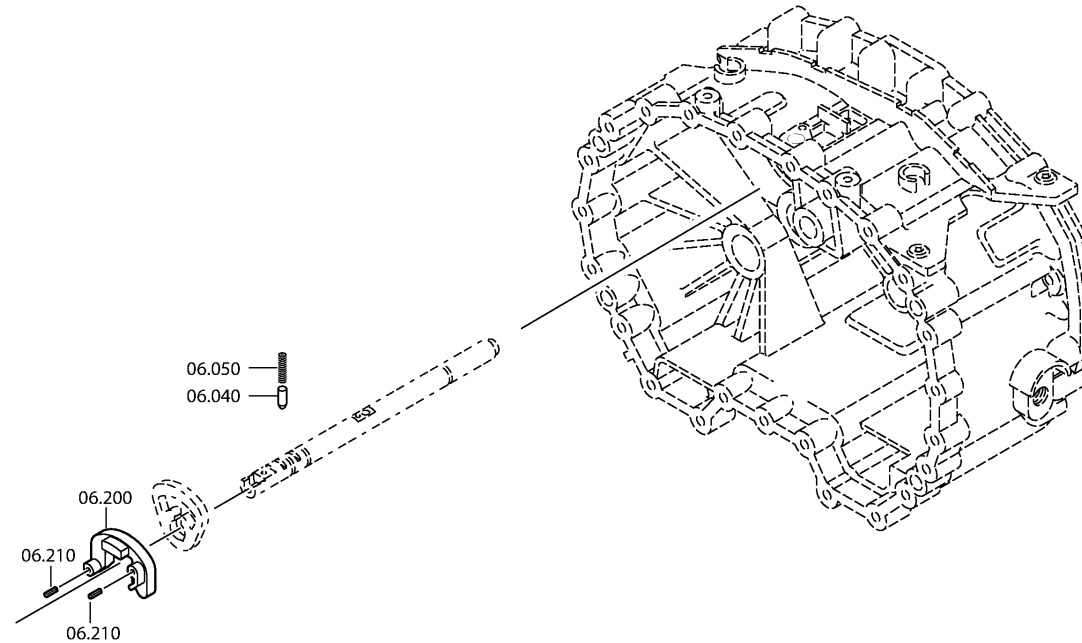
Material number: 1327.001.043

Picture: 105.06.80-1

SHIFT SYSTEM



12 AS 2301 IT /
SHIFT SYSTEM



Picture

Page 1 from 1

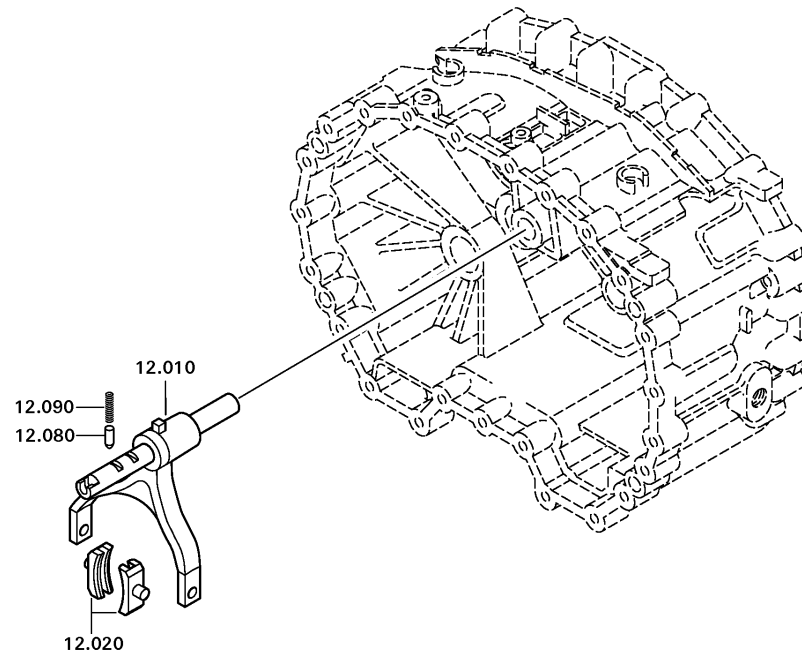
Material number: 1327.001.043

Picture: 105.40.05-1

Material-assembly-group-no: 1328.112.004



12 AS 2301 IT /
GV-SHIFT SYSTEM



Picture

Page 1 from 4

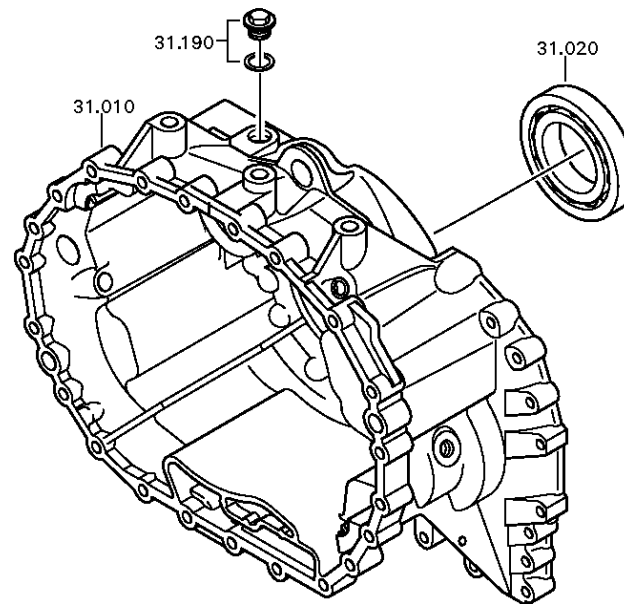
Material number: 1327.001.043

Picture: 069.43.04-1

RC HOUSING



12 AS 2301 IT /
RC HOUSING



Picture

Page 2 from 4

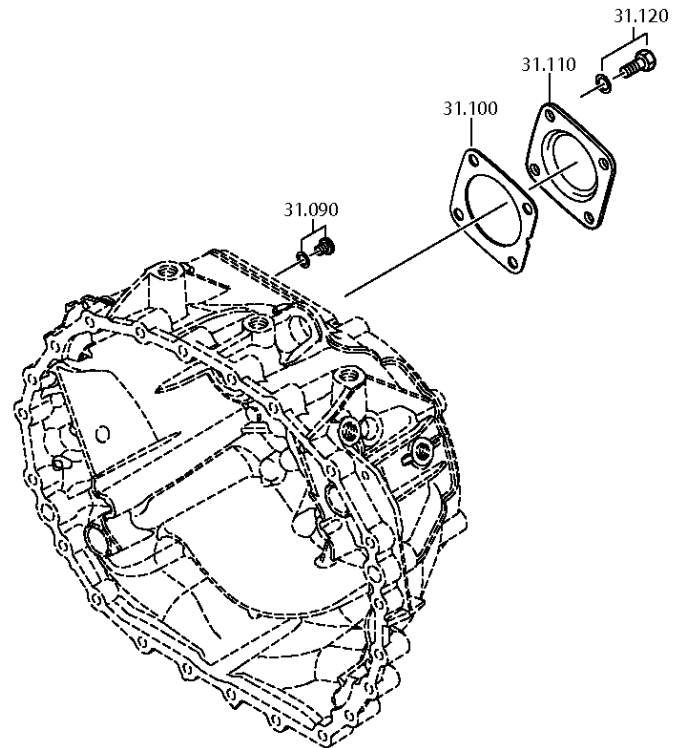
Material number: 1327.001.043

Picture: 105.43.41-1

RC HOUSING



12 AS 2301 IT /
RC HOUSING



Picture

Page 3 from 4

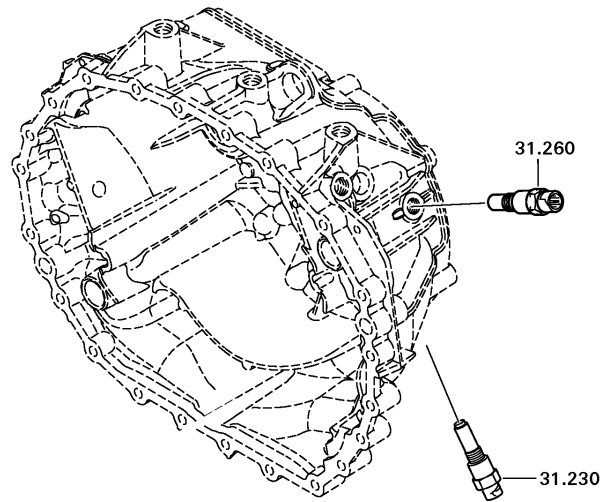
Material number: 1327.001.043

Picture: 105.43.42-1

RC HOUSING



12 AS 2301 IT /
RC HOUSING



Picture

Page 4 from 4

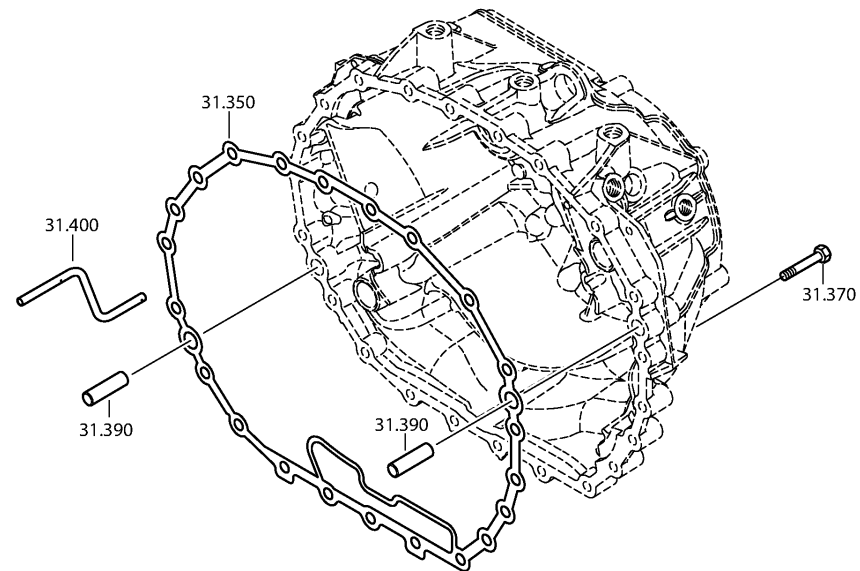
Material number: 1327.001.043

Picture: 105.43.80-1

RC HOUSING



12 AS 2301 IT /
RC HOUSING



Picture

Page 1 from 2

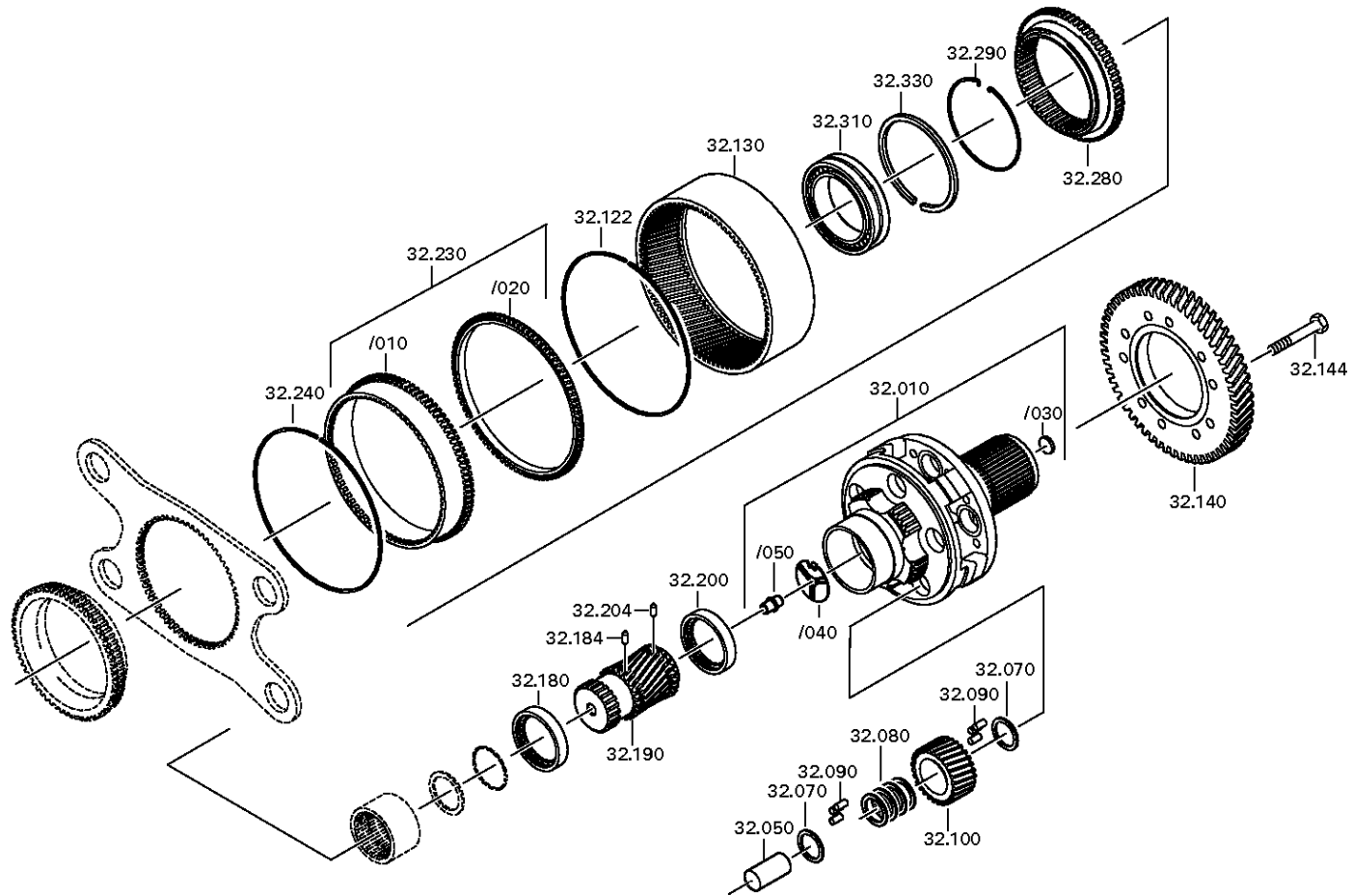
Material number: 1327.001.043

Picture: 105.44.02-1

PLANETARY DRIVE



12 AS 2301 IT /
PLANETARY DRIVE



Picture

Page 2 from 2

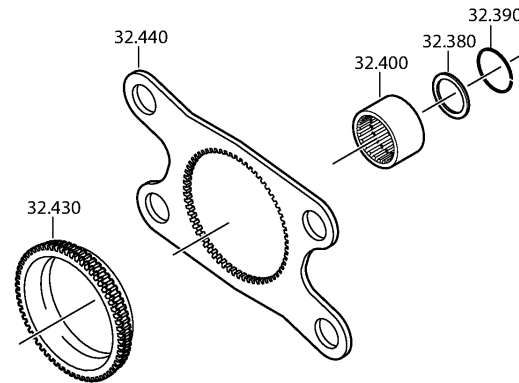
Material number: 1327.001.043

Picture: 105.44.80-1

PLANETARY DRIVE



12 AS 2301 IT /
PLANETARY DRIVE



Picture

Page 1 from 1

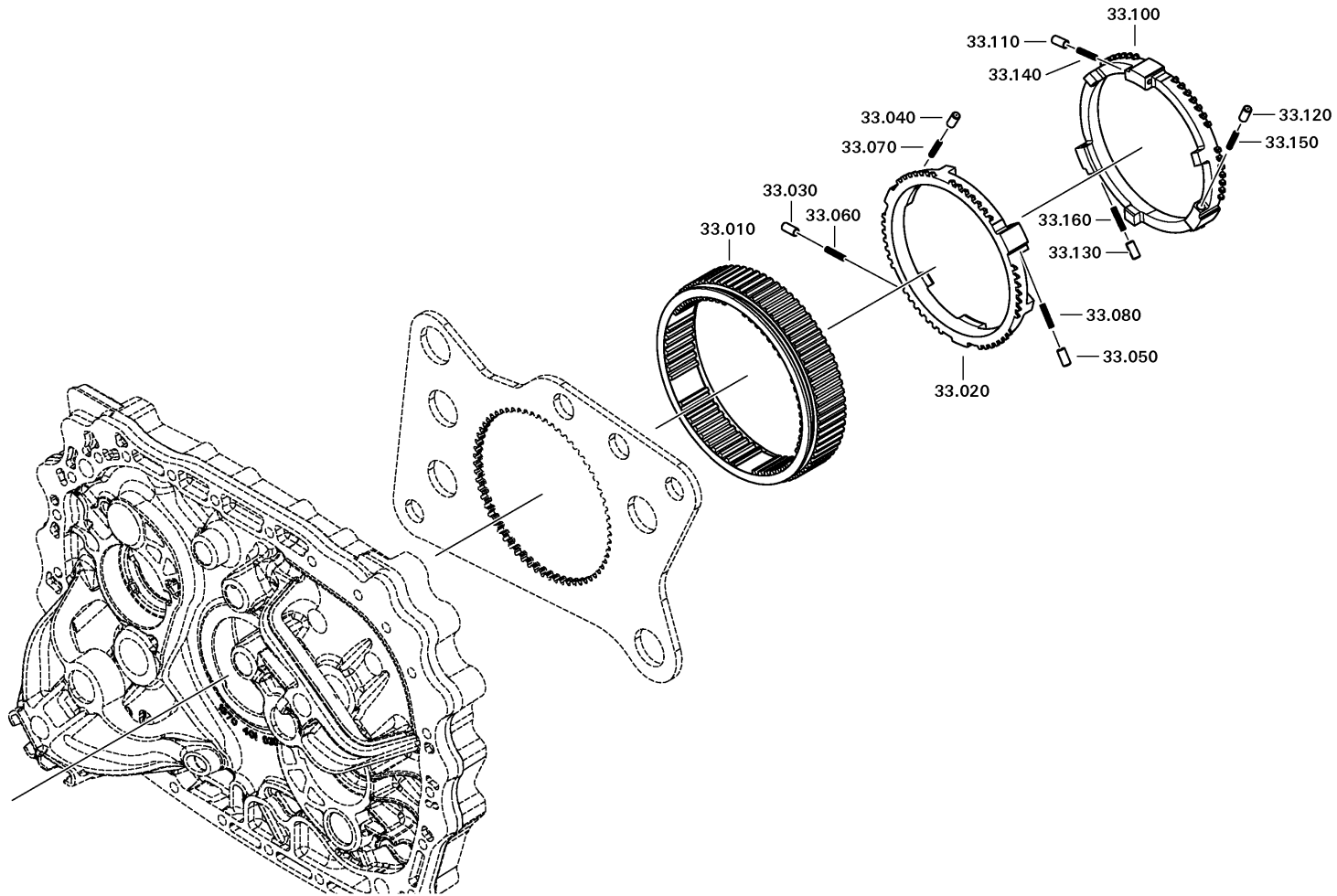
Material number: 1327.001.043

Picture: 194.033.001-1

Material-assembly-group-no: 1358.133.002



12 AS 2301 IT /
SYNCHRONIZER GP



Picture

Page 1 from 1

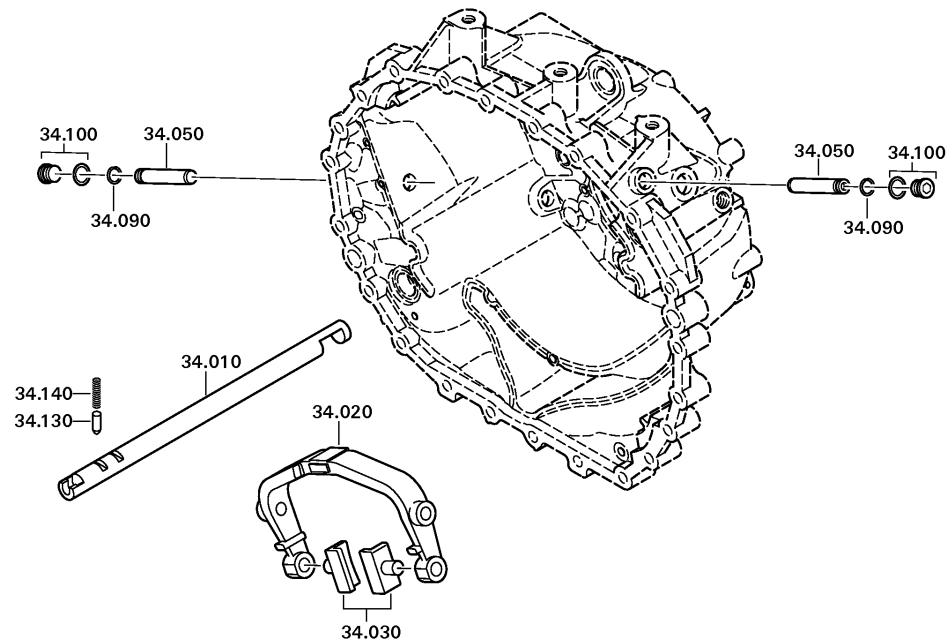
Material number: 1327.001.043

Picture: 105.046.003-1

Material-assembly-group-no: 1327.134.007



12 AS 2301 IT /
GP SHIFT SYSTEM



Picture

Page 1 from 1

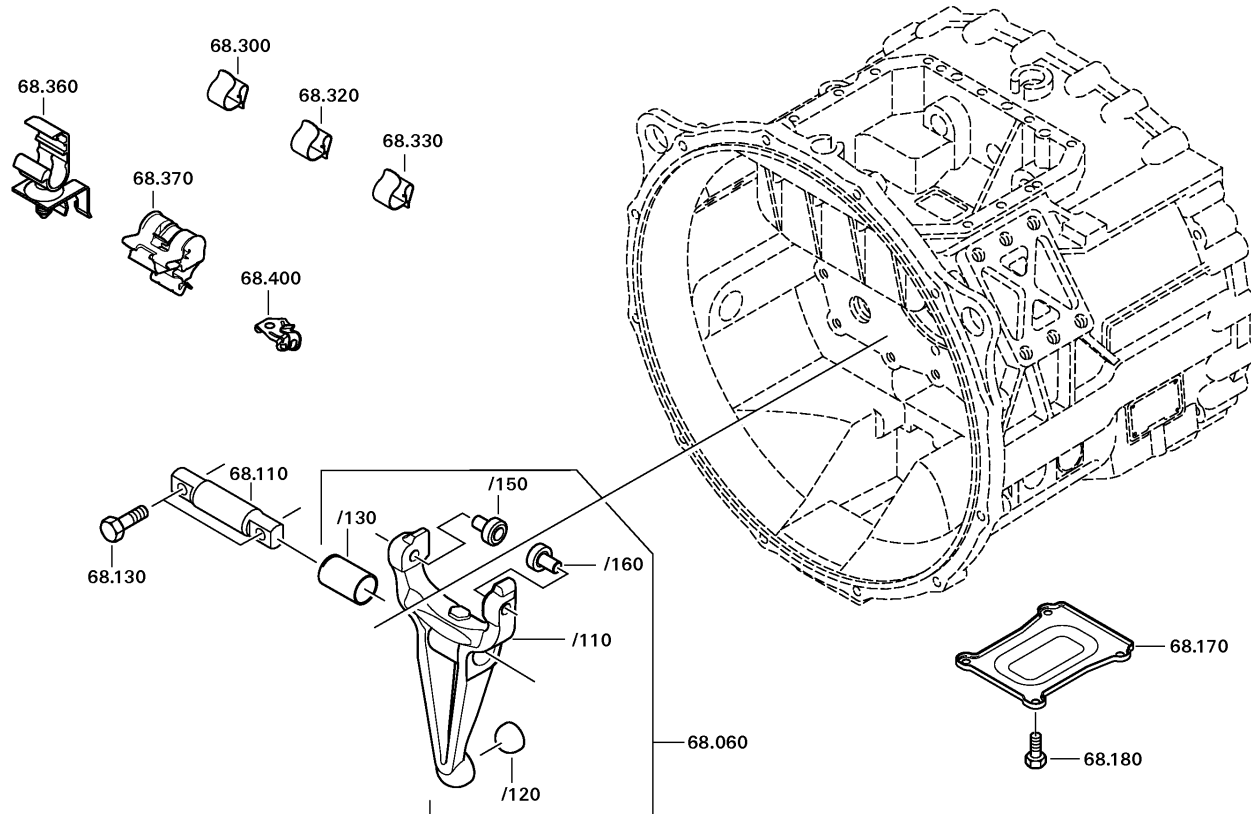
Material number: 1327.001.043

Picture: 105.093.013-1

Material-assembly-group-no: 1328.168.013



12 AS 2301 IT /
CLUTCH RELEASE DEVICE



Picture

Page 1 from 1

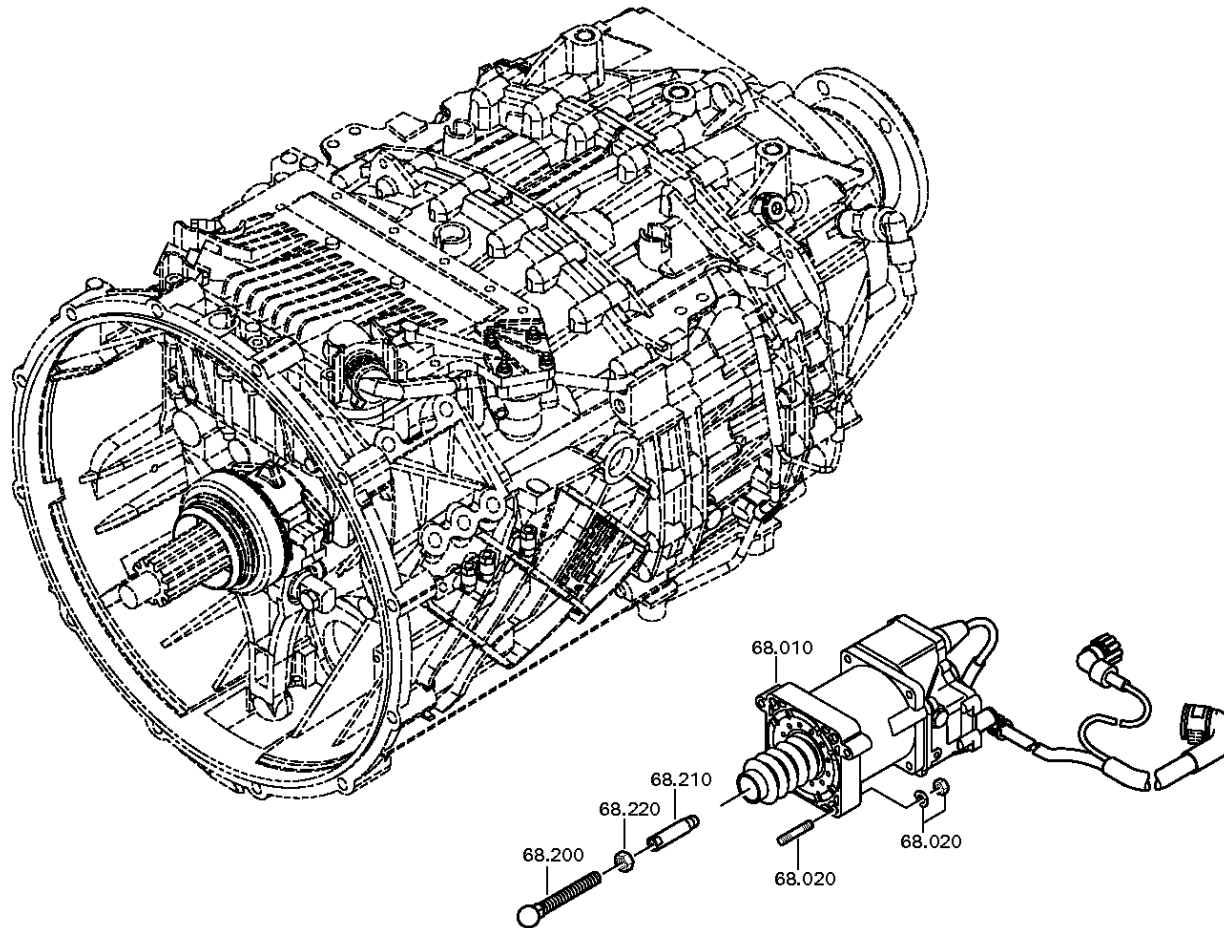
Material number: 1327.001.043

Picture: 105.94.03-1

Material-assembly-group-no: 1328.168.841



12 AS 2301 IT /
CLUTCH RELEASE DEVICE



Picture

Page 1 from 1

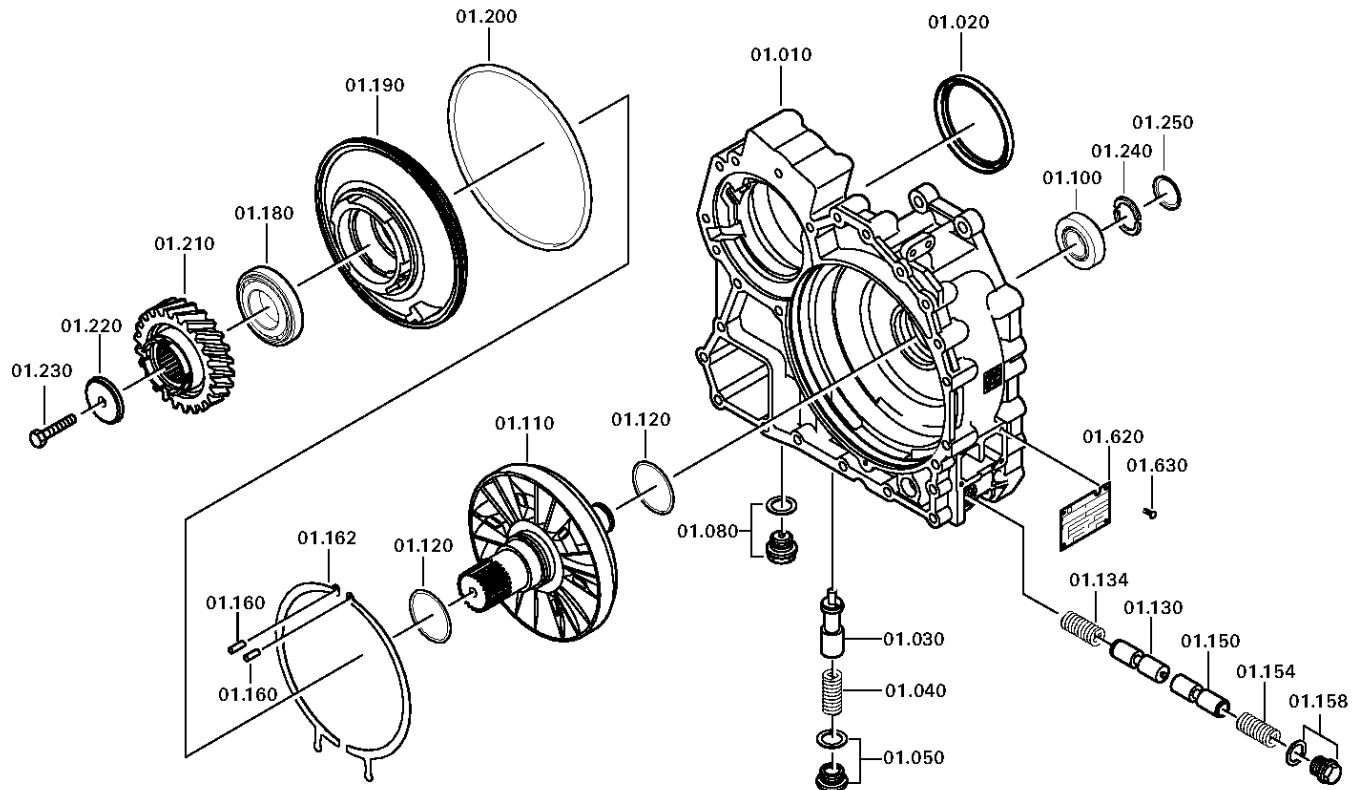
Material number: 6085.020.028

Picture: 078.01.11-1

Material-assembly-group-no: 6085.101.039



12 AS 2301 IT /
HOUSING



Picture

Page 1 from 3

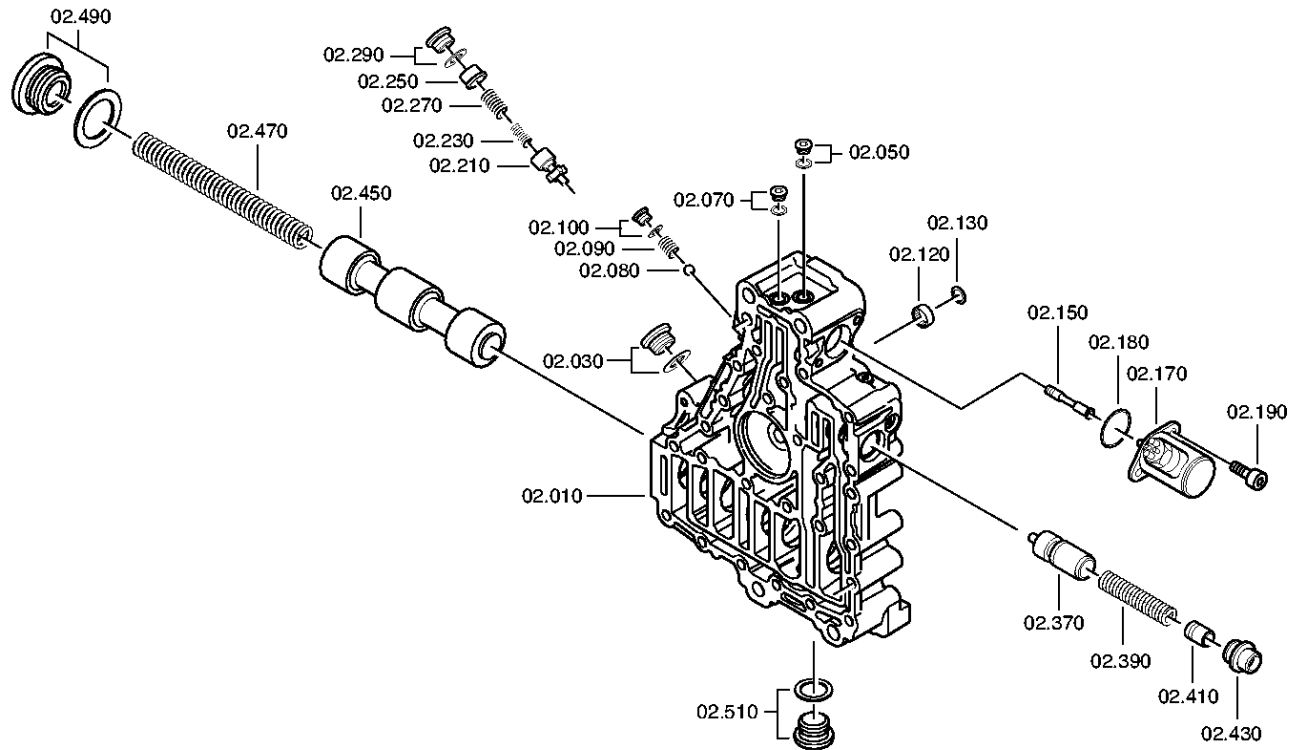
Material number: 6085.020.028

Picture: 078.02.03-1

CONTROL UNIT



12 AS 2301 IT /
CONTROL UNIT



Picture

Page 2 from 3

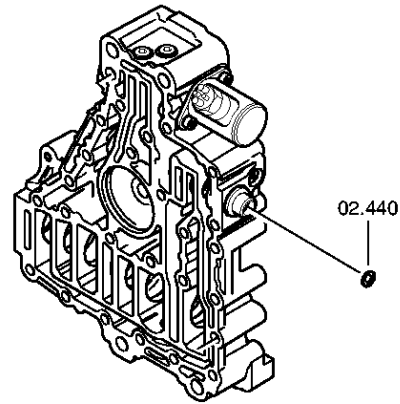
Material number: 6085.020.028

Picture: 078.02.79-1

CONTROL UNIT



12 AS 2301 IT /
CONTROL UNIT



Picture

Page 3 from 3

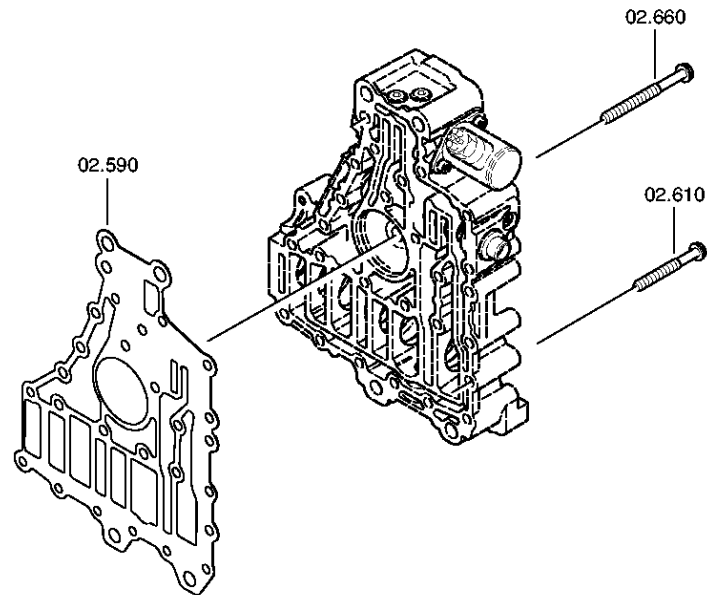
Material number: 6085.020.028

Picture: 078.02.83-1

CONTROL UNIT



12 AS 2301 IT /
CONTROL UNIT



Picture

Page 1 from 2

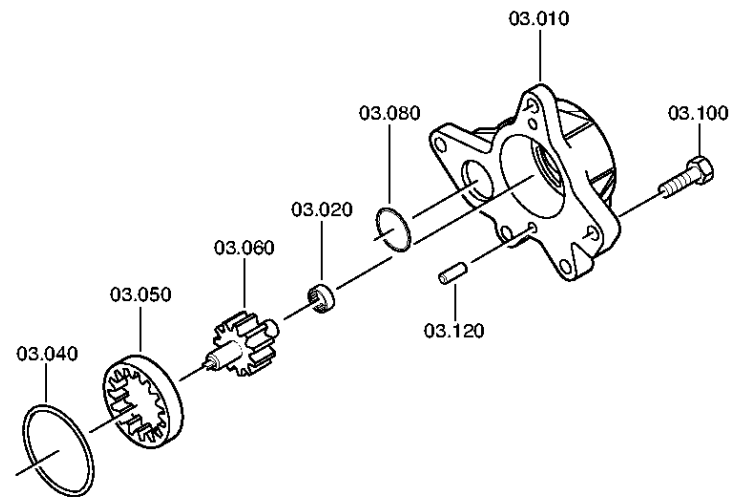
Material number: 6085.020.028

Picture: 078.03.01-1

PUMP



12 AS 2301 IT /
PUMP



Picture

Page 2 from 2

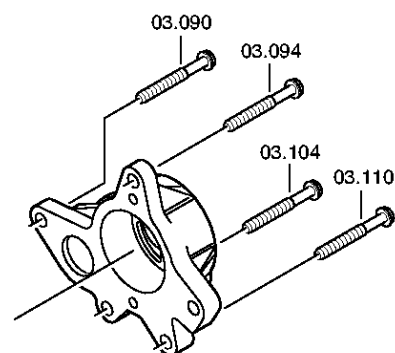
Material number: 6085.020.028

Picture: 078.03.80-1

PUMP



12 AS 2301 IT /
PUMP



Picture

Page 1 from 7

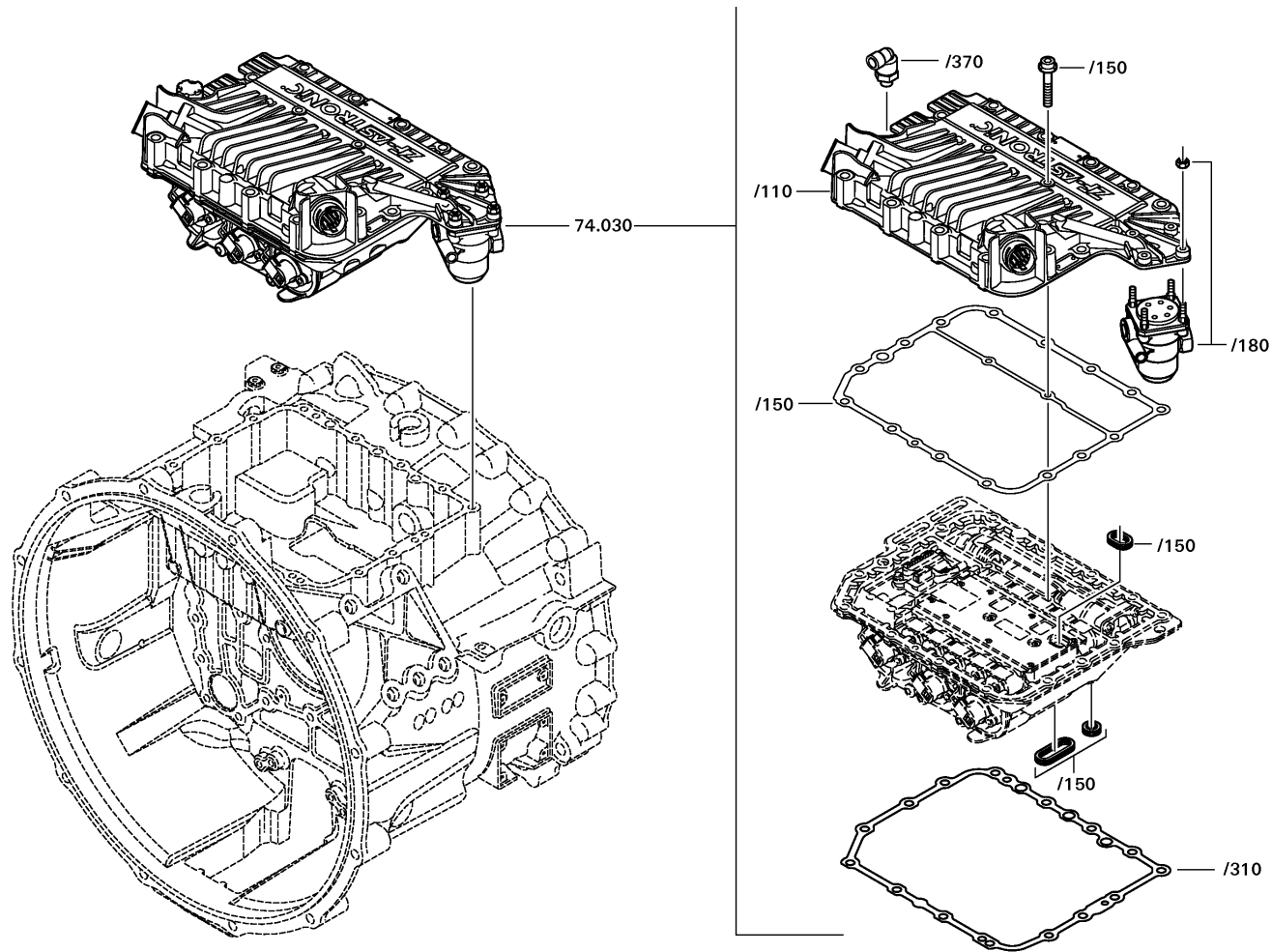
Material number: 6009.074.027

Picture: 106.36.09-1

TRANSMISSION ACTUATOR



12 AS 2301 IT /
TRANSMISSION ACTUATOR



Picture

Page 2 from 7

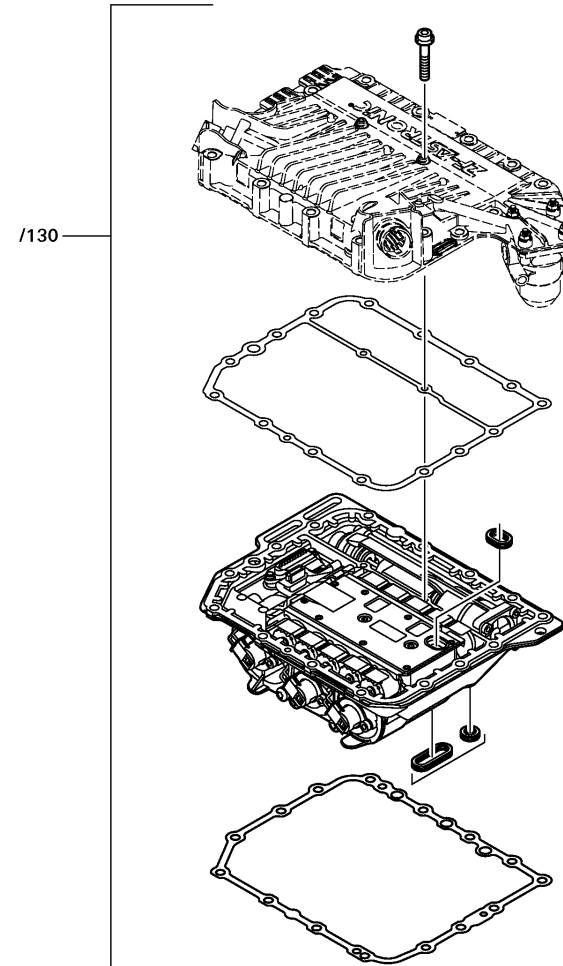
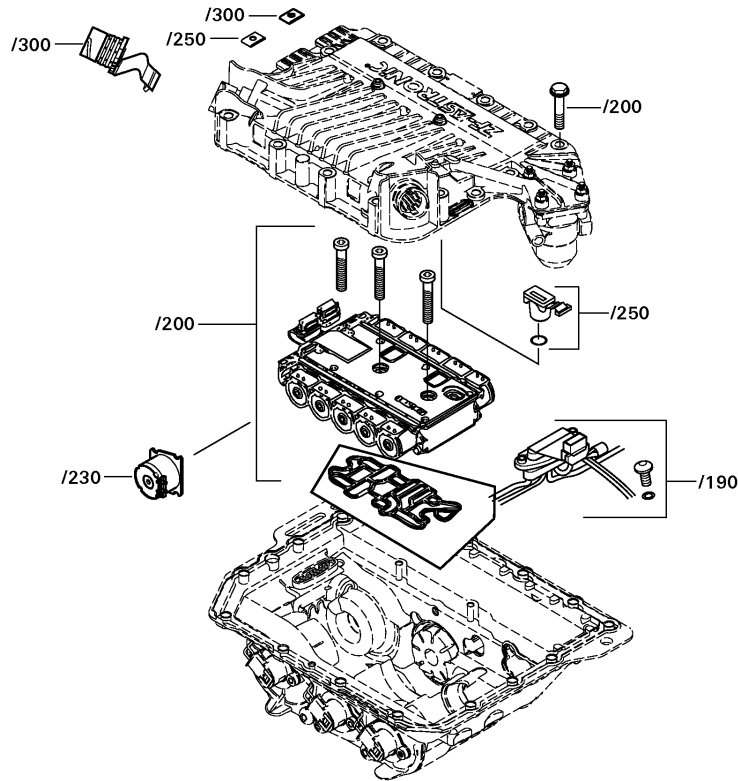
Material number: 6009.074.027

Picture: 106.36.09-2

TRANSMISSION ACTUATOR



12 AS 2301 IT /
TRANSMISSION ACTUATOR



Picture

Page 3 from 7

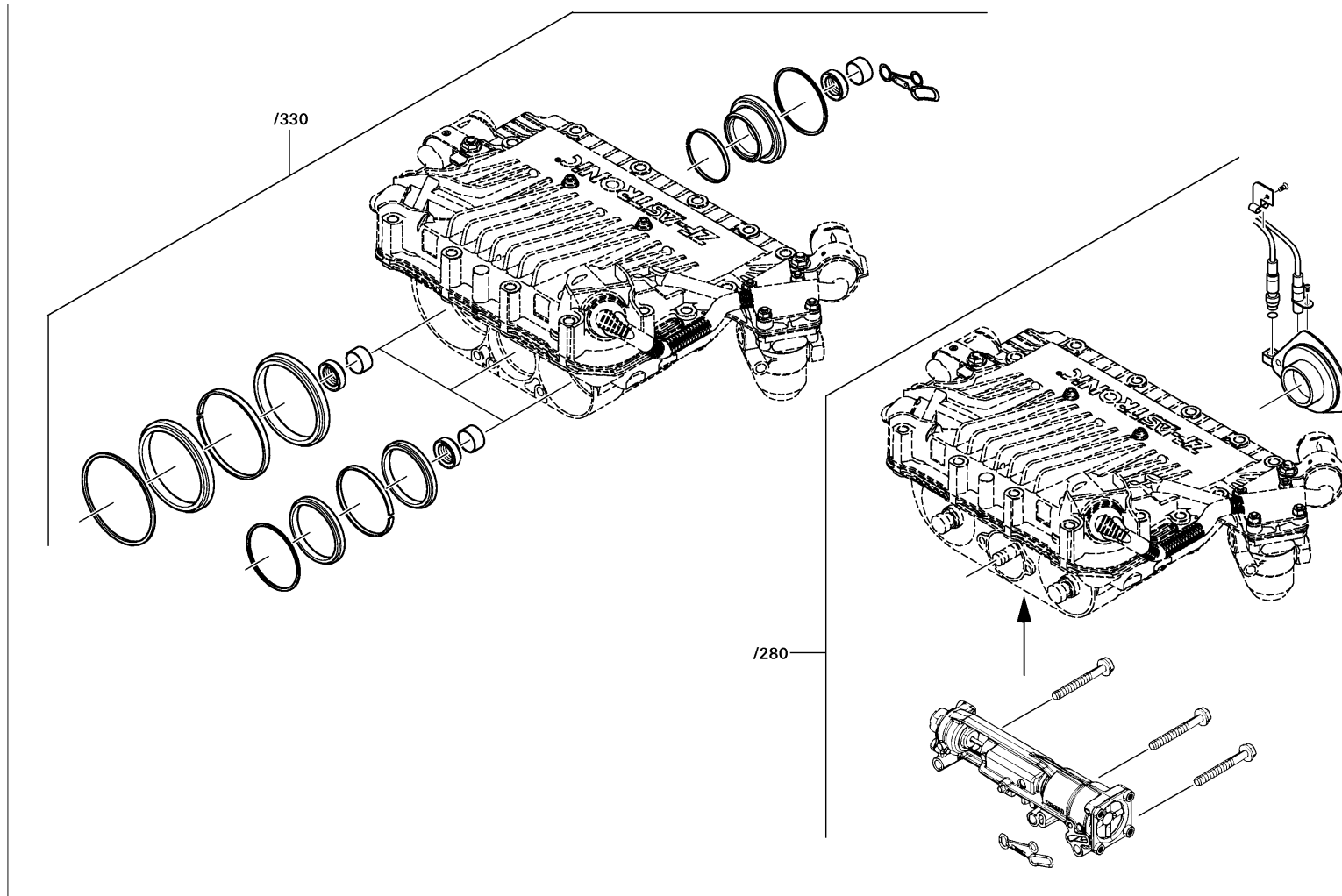
Material number: 6009.074.027

Picture: 106.36.09-3

TRANSMISSION ACTUATOR



12 AS 2301 IT /
TRANSMISSION ACTUATOR



Picture

Page 4 from 7

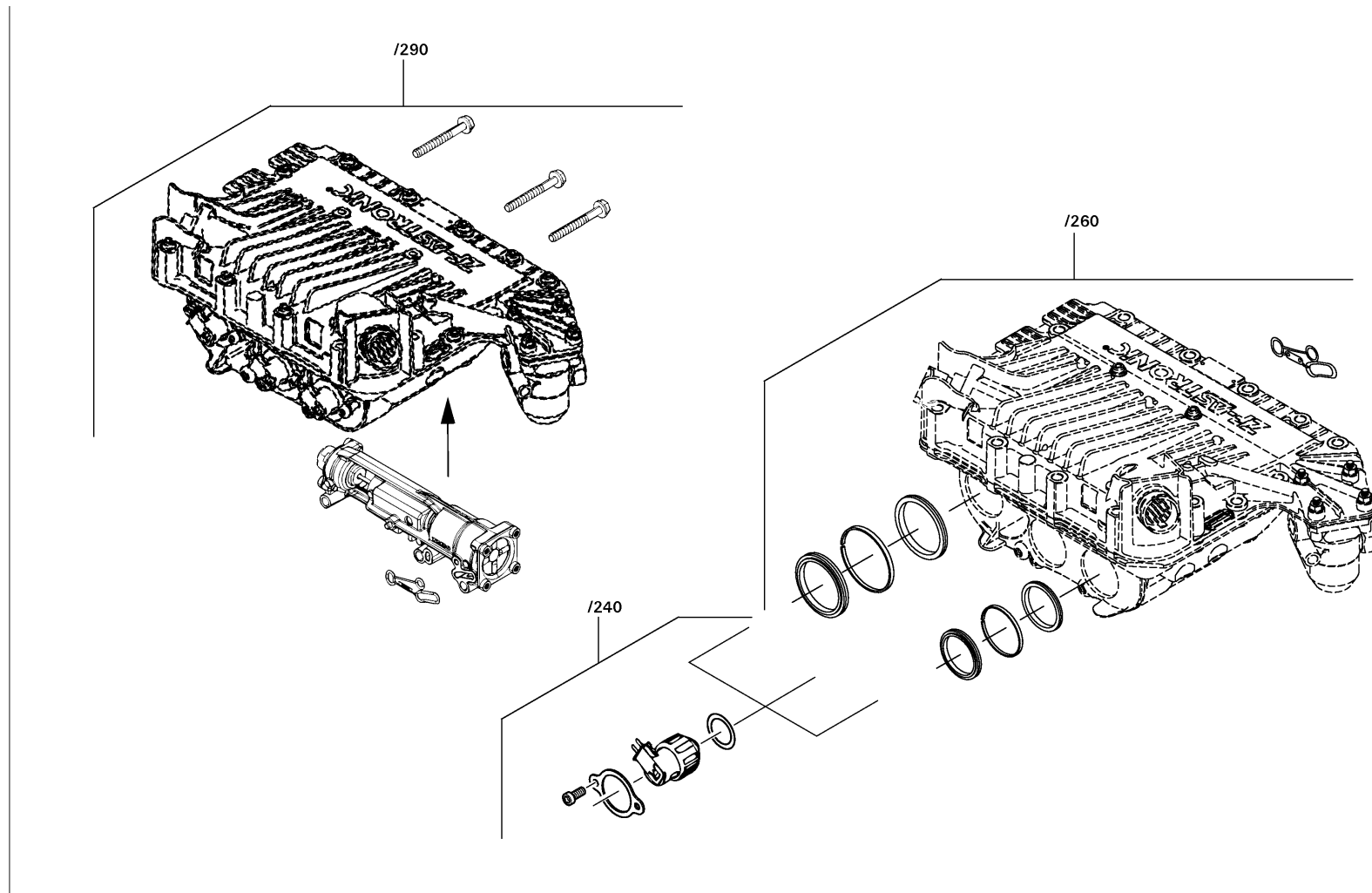
Material number: 6009.074.027

Picture: 106.36.09-4

TRANSMISSION ACTUATOR



12 AS 2301 IT /
TRANSMISSION ACTUATOR



Picture

Page 5 from 7

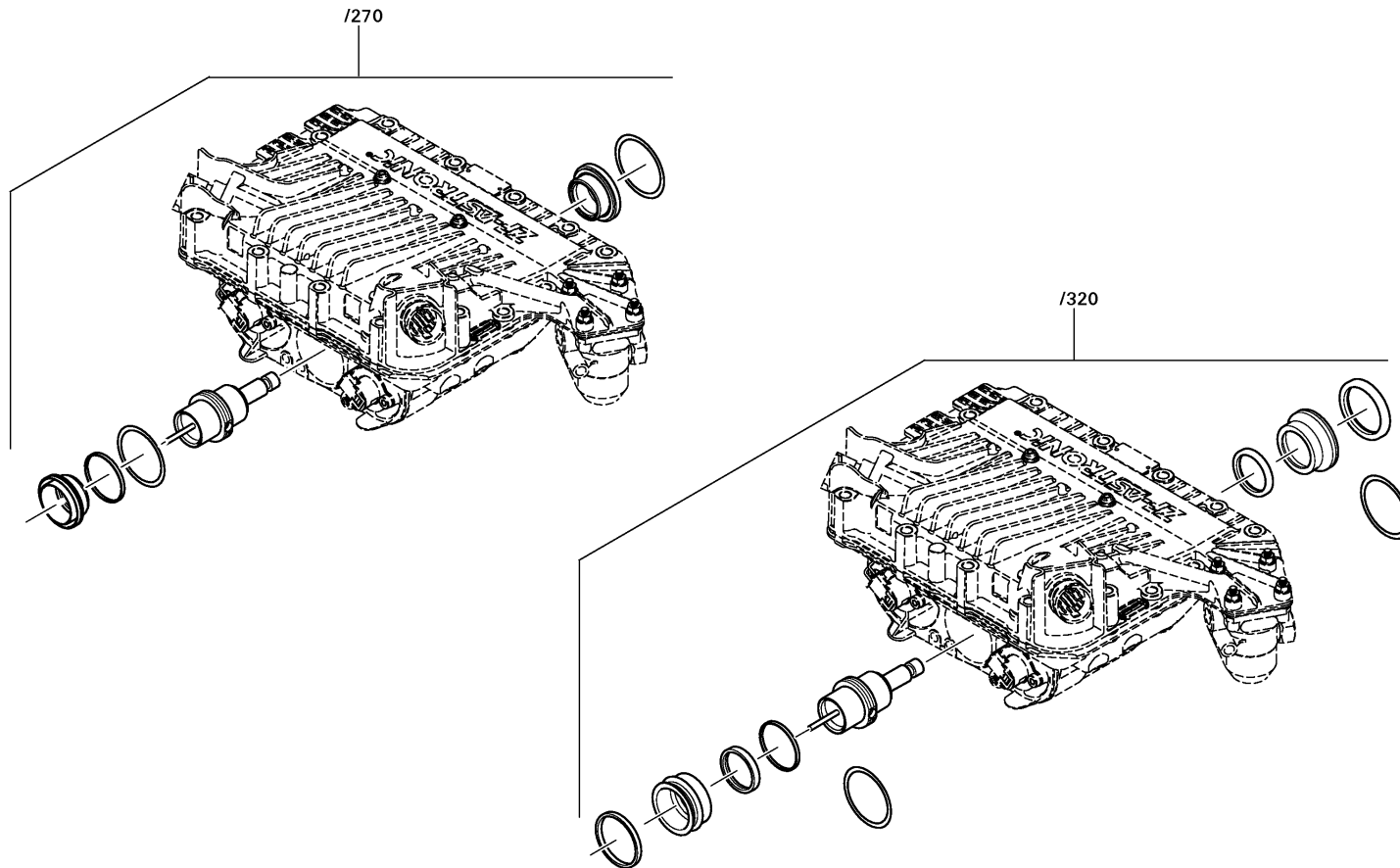
Material number: 6009.074.027

Picture: 106.36.09-5

TRANSMISSION ACTUATOR



12 AS 2301 IT /
TRANSMISSION ACTUATOR



Picture

Page 6 from 7

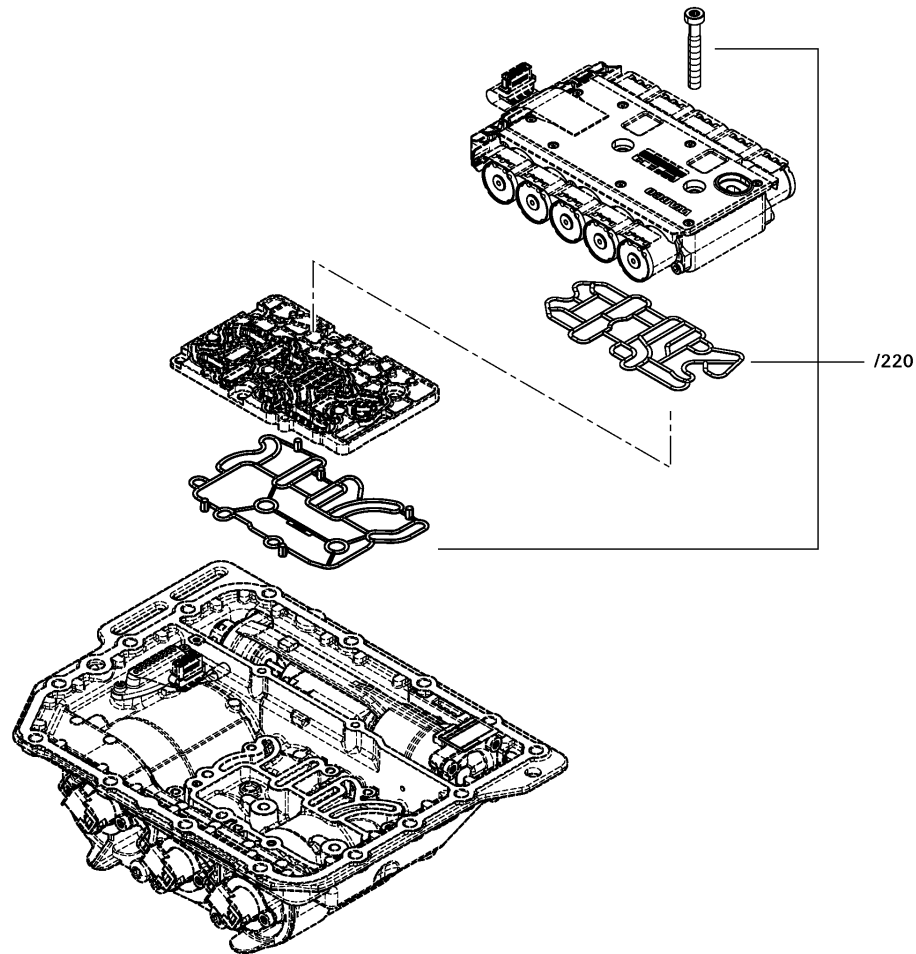
Material number: 6009.074.027

Picture: 106.36.09-6

TRANSMISSION ACTUATOR



12 AS 2301 IT /
TRANSMISSION ACTUATOR



Picture

Page 7 from 7

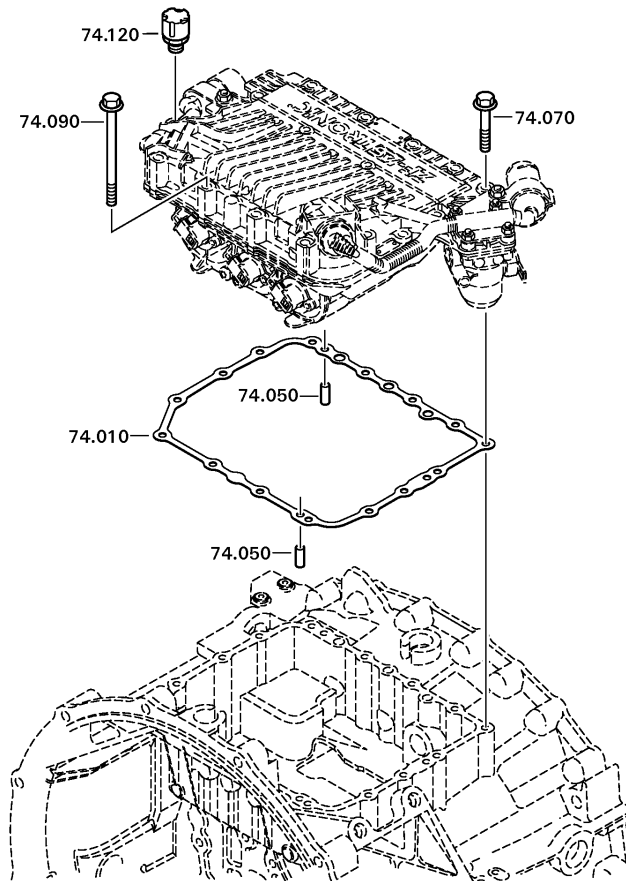
Material number: 6009.074.027

Picture: 106.036.080-1

TRANSMISSION ACTUATOR



12 AS 2301 IT /
TRANSMISSION ACTUATOR



Picture

Page 1 from 1

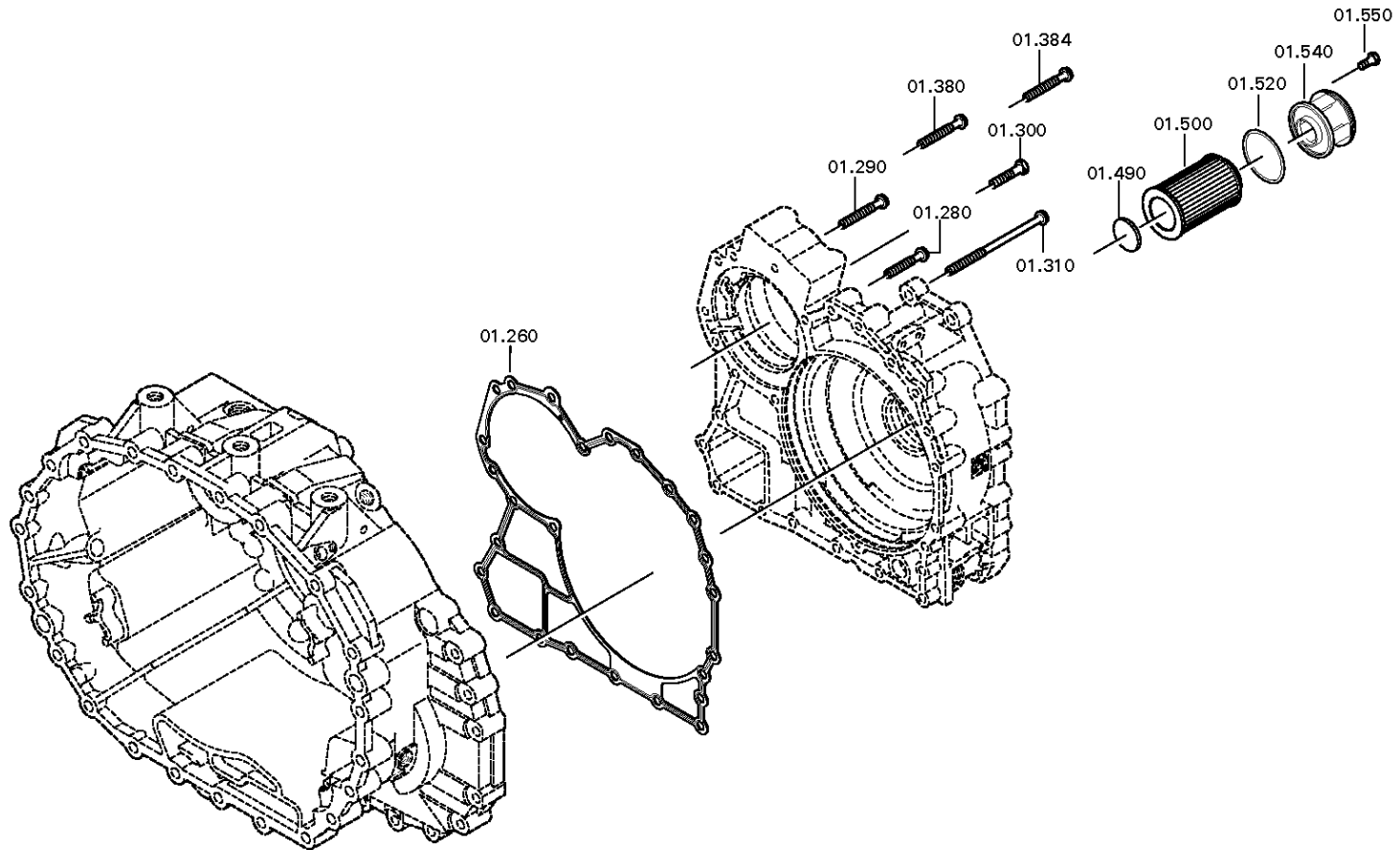
Material number: 6085.177.320

Picture: 078.01.84-1

Material-assembly-group-no: 6085.101.822



12 AS 2301 IT /
HOUSING



Picture

Page 1 from 1

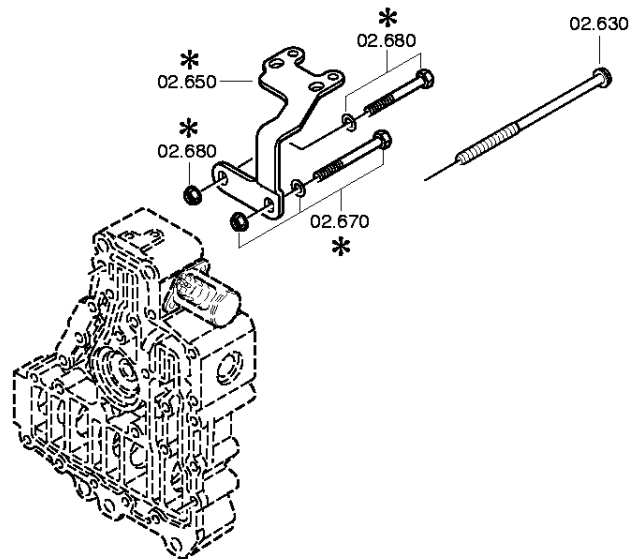
Material number: 6085.177.320

Picture: 078.02.80-1

Material-assembly-group-no: 6085.102.821



12 AS 2301 IT /
CONTROL UNIT



Picture

Page 1 from 2

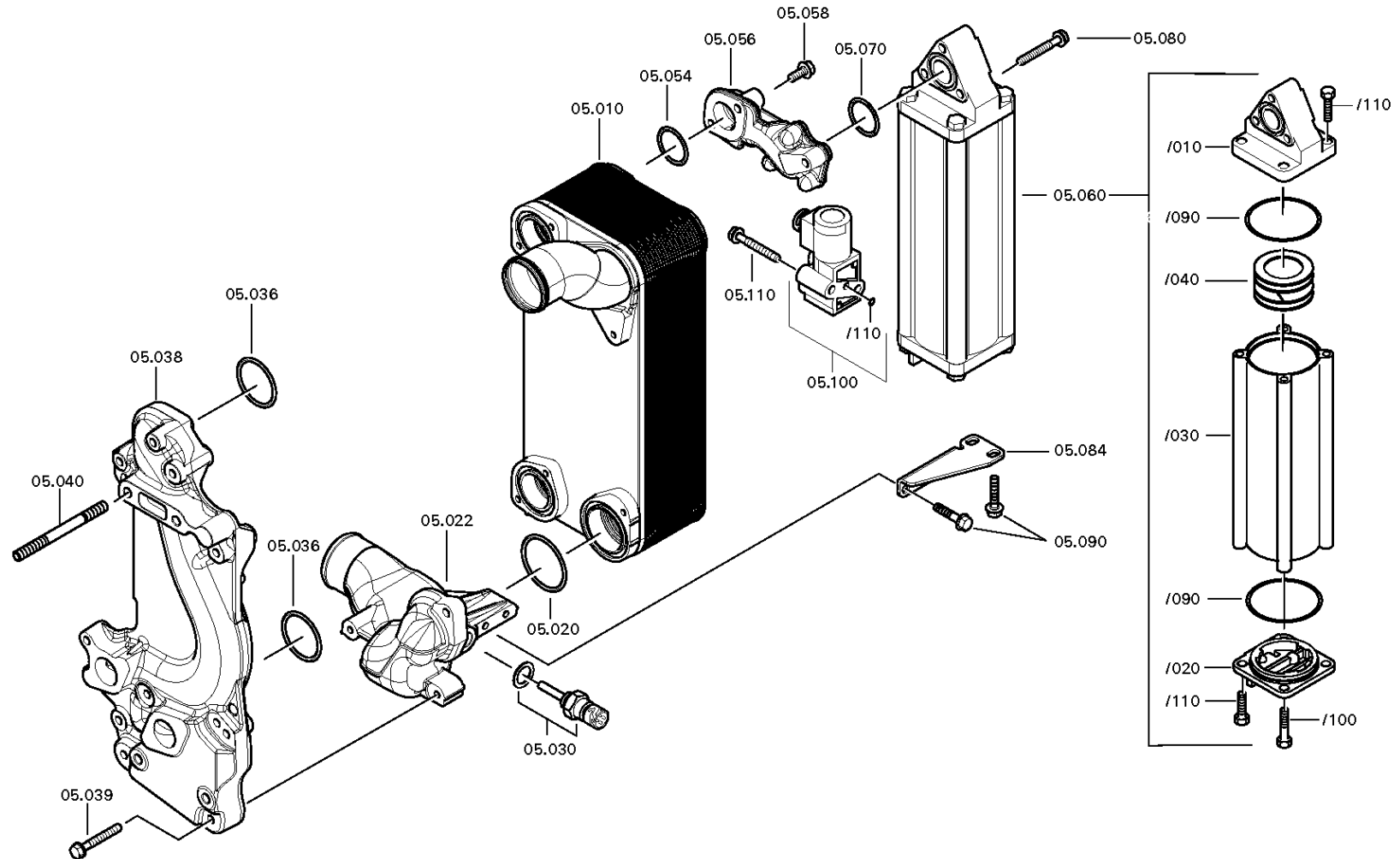
Material number: 6085.177.320

Picture: 078.05.14-1

HEAT EXCHANGER



12 AS 2301 IT /
HEAT EXCHANGER



Picture

Page 2 from 2

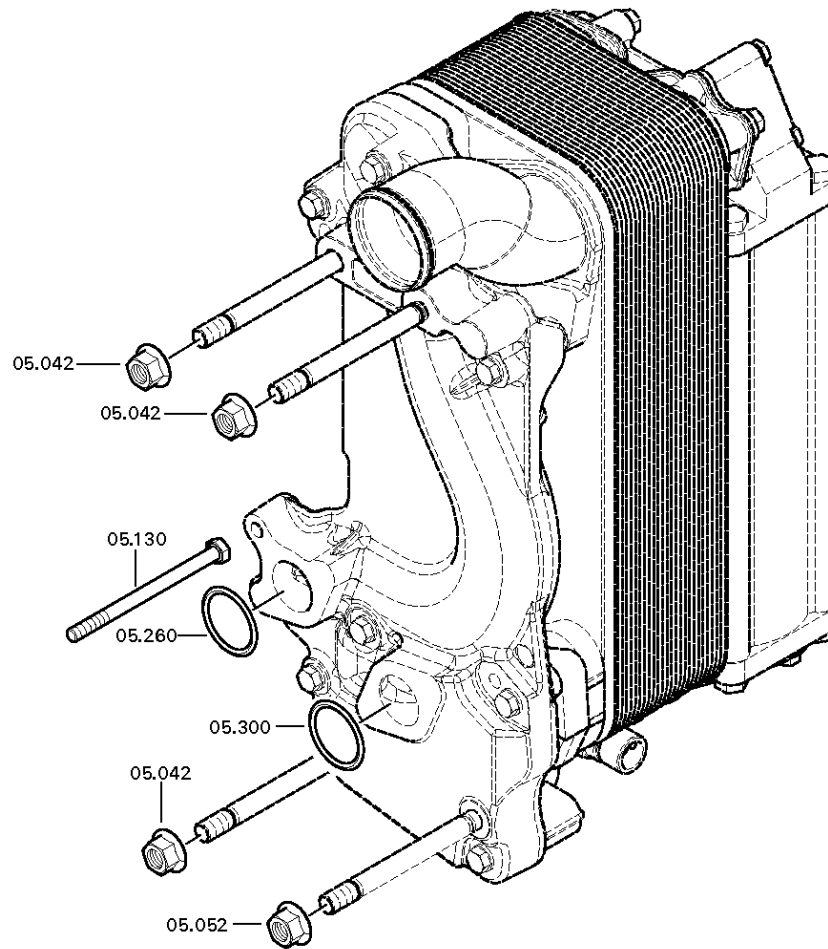
Material number: 6085.177.320

Picture: 078.05.82-1

HEAT EXCHANGER



12 AS 2301 IT /
HEAT EXCHANGER



Picture

Page 1 from 1

Material number: 6085.177.320

Picture: 078.08.04-1

Material-assembly-group-no: 6085.108.014



12 AS 2301 IT /
OUTPUT

