



Spare Parts Catalog

16 S 2220 TO

Material number: 1342.002.015

Current date: 21.05.2020

ZF Friedrichshafen AG
Hauptverwaltung
80038 Friedrichshafen
Deutschland

Telefon: +49 7541 77-0

Telefax: +49 7541 77-908000

www.zf.com

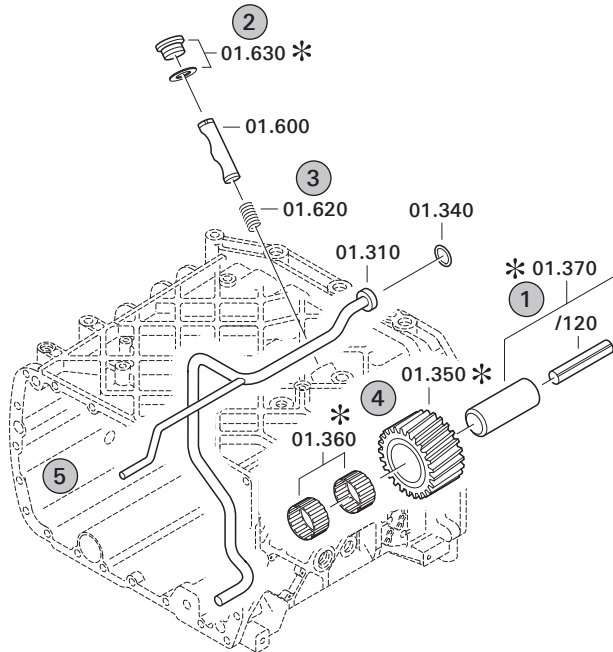
zuständiges Werk:
Friedrichshafen

Notes relating to the spare parts catalog

Setup of the spare parts catalog

- Cover sheet
- Technical Cover (only in SDM print)
- Overview of figures
- Figure
- Associated parts list
- Next figure
- Associated parts list
- ...

Figure and parts list



Overview of figures

| Bildtafel Figure | Sachnummer Product number | Benennung (Description) | Technische Info Technical info | Description (Benennung) | Menge Quantity | Einheit Unit |
|---------------------|------------------------------|----------------------------|-----------------------------------|----------------------------|-------------------|-----------------|
| 068.08.17 | 1316.170.001 | AUSLEGER | WL | SHIFT TURRET | 1 | Stk |
| 068.08.06 | 1316.170.031 | DECKEL | WL*H-H *VM | COVER | 1 | Stk |
| 068.08.14 | 1316.170.808 | DECKEL | WL*AUSL+GEH*H-H*HF160N | COVER | 1 | Stk |
| 08 | 1316.170.441 | ANSCHLUSSTEILE | WL*NG-VORB*RG-SCHL*168N *BAJONETT | CONNECTING PARTS | 1 | Stk |

The "gap" indicates that there is no separate graphics panel (poster) for this assembly
The parts of this assembly are shown with the same mid-section number on the figure

1 Positions and subpositions

| Pos. | Sachnummer Product number | Benennung (Description) | Technische Info Technical info | Description (Benennung) | Menge Quantity | Einheit Unit |
|-------|------------------------------|----------------------------|-----------------------------------|----------------------------|-------------------|-----------------|
| 0370 | 1315.201.054 | RUECKLAUFBOLZEN | KPL.16S151*SG*L= 79 | REV.IDLER SHAFT | 1 | Stk |
| /0120 | 0631.329.293 | SPANNSTIFT | | SLOT. PIN | 1 | Stk |

Positions marked with "/" are the individual items of a completion
For example: Position 0370 contains a centering pin with the position /0120

2 Combinations with standardized parts

| Pos. | Sachnummer Product number | Benennung (Description) | Technische Info Technical info | Description (Benennung) | Menge Quantity | Einheit Unit |
|------|------------------------------|----------------------------|-----------------------------------|----------------------------|-------------------|-----------------|
| 0630 | | VERSCHL.SCHR. | | SCREW PLUG | 1 | Stk |
| | 0636.302.067 | VERSCHL.SCHR. | | SCREW PLUG | 1 | Stk |
| | 0634.801.249 | DICHTRING | A 26 X 31 | SEALING RING | 1 | Stk |

The parts list shows the components included in the combination of standardized parts

3 Depiction of position/item number on the figure and in the parts list

01.620 - on the figure 01 relates to the assembly in which the position is included. Due to program-related reasons, it is shown on the figure.

0620 - in the parts list

| Pos. | Sachnummer Product number | Benennung (Description) | Technische Info Technical info | Description (Benennung) | Menge Quantity | Einheit Unit |
|------|------------------------------|----------------------------|-----------------------------------|----------------------------|-------------------|-----------------|
| 0620 | 0732.040.736 | DRUCKFEDER | | COMPRESSION SPRING | 1 | Stk |

4 *-Positions

Positions marked with an * are optional i.e. inclusion in the parts list is not mandatory.
The following note is shown on the figure

je nach Stücklistenausführung
depending on spec. number
*
suivant la nomenclature
secondo la distinta base

5 Parts, dotted display

Parts with dotted display on the figure are only used for orientation of other parts

Technical Cover

Page 1 from 6



Material number: 1342.002.015

16 S 2220 TO /

| Pos. | Information | Amendment number |
|------|---|------------------|
| 001 | Use case ----- | |
| 002 | Customer MAN | |
| 003 | City NN | |
| 004 | DUNS | |
| 005 | Vehicle / Apparatus ----- | |
| 006 | Sales Name TG-A | |
| 007 | Manufacturer MAN | |
| 008 | Engineering Name | |
| 009 | Product Use TRUCK | |
| 010 | Vehicle/Hardware Type ROAD TRACTOR | |
| 011 | SOP | |
| 012 | Engine | |
| 013 | Sales Designation | |
| 014 | Manufacturer MAN | |
| 015 | Eng.Displ. | |
| 016 | Cylinder | |
| 017 | Nom. power 316 kW | |
| 018 | RPM at nom. power 1900 1/min | |
| 019 | Nom. torque 2100 Nm | |
| 020 | RPM at nom. torque 1000 1/min | |
| 021 | Classification use case ----- | |
| 022 | DESIGNATION, CLUTCH MFZ430 | |
| 023 | MANUFACTURER, CLUTCH ZF-SACHS | |
| 024 | TOTAL NUMBER OF WHEELS 4 | |
| 025 | NUMBER OF DRIVING WHEELS 2 | |
| 026 | DYNAMIC TYRE RADIUS 522 mm | |
| 027 | REAR AXLE RATIO 3.08 | |
| 031 | PERMISS.GROSS VEHICLE WEIGHT 18 t | |
| 032 | PERMISS.GROSS COMBIN.WEIGHT 44 t | |
| 033 | APPROVAL NOTE 1 ERSTEINBAU*UEBERPRUEFUNG ERFORDERLICH | |
| 034 | Product description ----- | |
| 035 | CO2-FAMILY XXX | |
| 036 | CO2-CERTIFICATE XXX | |



| Pos. | Information | Amendment number |
|------|---|------------------|
| 037 | INSTALLATION POS TRANSMISSION HORIZONTAL LEFT | |
| 038 | TRANSMISSION ATTACHMENT FLANGE-MOUNTED | |
| 039 | RATIO, BOTTOM GEAR 13.8 | |
| 040 | RATIO, TOP GEAR .84 | |
| 041 | RATIO, 1ST GEAR 13.8 | |
| 042 | RATIO, 2ND GEAR 11.54 | |
| 043 | RATIO, 3RD GEAR 9.49 | |
| 044 | RATIO, 4TH GEAR 7.93 | |
| 045 | RATIO, 5TH GEAR 6.53 | |
| 046 | RATIO, 6TH GEAR 5.46 | |
| 047 | RATIO, 7TH GEAR 4.57 | |
| 048 | RATIO, 8TH GEAR 3.82 | |
| 049 | RATIO, 9TH GEAR 3.02 | |
| 050 | RATIO, 10TH GEAR 2.53 | |
| 051 | RATIO, 11TH GEAR 2.08 | |
| 052 | RATIO, 12TH GEAR 1.74 | |
| 053 | RATIO, 13TH GEAR 1.43 | |
| 054 | RATIO, 14TH GEAR 1.2 | |
| 055 | RATIO, 15TH GEAR 1 | |
| 056 | RATIO, 16TH GEAR .84 | |
| 057 | RATIO, 1ST GEAR REVERSE 12.92 | |
| 058 | RATIO, 2ND GEAR REVERSE 10.8 | |
| 059 | SET OF RATIOS SG | |
| 060 | RATIO RANGE BASIC DG | |
| 061 | NUMBER OF PLANETARY GEARS 5 | |
| 062 | RATIO PLANETARY GEAR SET 4.565 | |
| 063 | VER. SPLINE PLANETARY GEAR SET OBLIQUE TOOTHING | |
| 064 | DESIGN, SHIFT SYSTEM TURNING SHAFT | |
| 065 | POSITION, GEAR SHIFT SYSTEM HORIZONTAL LEFT | |
| 066 | DESIGN, SHIFT PATTERN UEH | |
| 067 | VERSION SHIFT SUPPORT GATE DEPENDENT SERVO | |
| 068 | VERSION ACTUATION SHIFT SYSTEM CONTROL CABLE | |
| 070 | DESIGN PSE PSE5 | |

Technical Cover

Page 3 from 6



Material number: 1342.002.015

16 S 2220 TO /

| Pos. | Information | Amendment number |
|------|---|------------------|
| 071 | VERSION TUBE R/C PLASTIC-FORM-PIPE | |
| 072 | VERSION TUBE SERVO PLASTIC PIPING | |
| 073 | NOTE ON VERSION SHIFT SYSTEM GEAR SHIFT COVER WITH AIR DIST | |
| 074 | DESIGN DOWNSHIFT GATE INTERLOCK RADIAL | |
| 075 | VERSION TUBE GATE INTERLOCK WITHOUT PIPING | |
| 076 | 1ST CUSTOMER SPEC SHIFT SYSTEM RANGE INTERLOCK | |
| 077 | 2ND CUSTOMER SPEC SHIFT SYSTEM GATE INTERLOCK | |
| 081 | DESIGN VALVE AIR SUPPLY VALVE BLOCK | |
| 082 | DIA.THROTTLE VALVE AIR SUPPLY mm | |
| 083 | SELECTION PATTERN VARIANT GEAR SHIFT PATTERN 1 | |
| 084 | DESIGN, SEPARATING CLUTCH FULL-SYNCHRONIZED | |
| 085 | VERSION OF SYNCHRONIZER 1 1.-4.GEAR BK-SYNCHRONIZATION | |
| 087 | REFERENCE LENGTH INPUT SHAFT 109 mm | |
| 088 | STANDARD TYPE INPUT SHAFT SAE | |
| 089 | NUMBER OF WEDGES INPUT SHAFT 10 | |
| 090 | VERSION OF INPUT SHAFT FORM C | |
| 091 | NOMINAL DIAMETER INPUT SHAFT 2 in | |
| 092 | DIAMETER, JOURNAL, INPUT SHAFT 25 mm | |
| 093 | TYPE FIT SPIGOTS INPUT SHAFT F7 | |
| 094 | VER. BEAR. SPIGOTS INPUT SHAFT TAPER ROLLER | |
| 095 | LENGTH, INPUT SHAFT 395.5 mm | |
| 096 | DIAMETER SHAFT OF INPUT SHAFT 50.3 mm | |
| 097 | LENGTH, PROFILE, INPUT SHAFT 120 mm | |
| 098 | BUSH VARIANT INPUT SHAFT WITHOUT GROOVE | |
| 099 | VERSION BEARING CONSTANT 1 GL | |
| 100 | DIAMETER BEARING INPUT SHAFT 99.916 mm | |
| 101 | TYPE FIT BEAR. INPUT SHAFT H5 | |
| 102 | DESIGN,CONN., CLUTCH HOUSING SAE 1 | |
| 103 | CENTR.DIA,HSG/ENGINE CONNECT. 511.175 mm | |
| 104 | NUMBER OF BORES,ENGINE CONN. 12 | |
| 105 | BORE DIA, ENGINE CONNECTION 11 mm | |
| 106 | VERSION OF CLUTCH HOUSING INTEGRATED | |
| 108 | VERSION ENGINE CONNECTION NOT FORDABLE | |



| Pos. | Information | Amendment number |
|------|--|------------------|
| 109 | POSITION MOUNT. FACE HOUSING 2 WITHOUT GROOVE | |
| 110 | LENGTH CLAMP. FLAP RH ENG CONNECT. 292 mm | |
| 112 | TYPE OF RELEASE MECHANISM WITH | |
| 113 | REF.LENGTH,RELEASE BEAR.FLAN -7 mm | |
| 114 | DIAMETER, RELEASE FLANGE 60 mm | |
| 115 | TYPE FIT RELEASE BEARING FLA. F8 | |
| 116 | DIAMETER BEARING BUSH RELEASE UNIT LH 35 mm | |
| 118 | ASSEMBLY POS. CLUTCH CYLINDER 6 | |
| 119 | OUTER DIA. OUTPUT FLANGE RA 180 mm | |
| 120 | NO.OF BORES OUTPUT FLANGE HA1 4 | |
| 122 | BORE DIA. OUTPUT FLANGE RA 15 mm | |
| 127 | REF. LENGTH OUTPUT FLANGE RA 211.5 mm | |
| 128 | DIMENSION SHIFT TURRET DIST. 300 mm | |
| 129 | MEAS. LOC. SHIFT TURRET DIST. SHIFT LEVER-LOCATION | |
| 131 | RADIUS SELECTOR LEVER 69 mm | |
| 132 | SELECTOR LEVER POSITION B | |
| 133 | DESIGN OFFSET SELECTOR LEVER OUTSIDE | |
| 134 | LENGTH OFFSET SELECTOR LEVER 3.6 mm | |
| 136 | RADIUS 1 SHIFT LEVER 57.000 mm | |
| 137 | SHIFT LEVER CONNECTION HEXAGON | |
| 138 | DESIGN, OFFSET, SHIFT LEVER OUTSIDE | |
| 140 | LEVER POSITION SHIFTING OUTPUT A | |
| 143 | SPRING ARRANGEMENT Q4 | |
| 144 | SPRING FORCE DETENT PLUNGER RG 120 N | |
| 148 | SELECTOR SPRING FORCE, OUTSIDE 40 N | |
| 153 | SWITCH, REVERSE GEAR y | |
| 154 | DESIGN, RG (REV.GEAR) SWITCH CLOSING | |
| 155 | DESIGN, CONNECTION, RG SWITCH DIN BAYONET | |
| 156 | CODE SWITCH RG A2 | |
| 157 | PROT.CAP SWITCH, REVERSE GEAR y | |
| 158 | NOTE ON SWITCH, REVERSE GEAR G.SHIFT SHAFT | |
| 159 | SWITCH, NEUTRAL GEAR y | |
| 160 | DESIGN,NG(NEUTRAL GEAR)SWITCH OPENING SWITCH | |



| Pos. | Information | Amendment number |
|------|--|------------------|
| 161 | DESIGN, CONNECTION, NG SWITCH DIN BAYONET | |
| 162 | CODE SWITCH NG A1 | |
| 163 | PROT.CAP SWITCH, NEUTRAL GEAR y | |
| 184 | FUNCTION OF R/C SWITCH GP | |
| 185 | DESIGN, GP SWITCH PREPARED | |
| 188 | PROTECTING CAP GP SWITCH n | |
| 189 | FUNCTION OF S/G SWITCH GV | |
| 190 | DESIGN, GV SWITCH WITHOUT GROOVE | |
| 193 | PROTECTING CAP GV SWITCH n | |
| 231 | ATTACHM.POS.HEAT EXCHANGER IN FRONT LEFT PREPARED | |
| 233 | VER. TRANSMISSION VENTILATION ELBOW JOINT | |
| 235 | POS.TRANSMISSION VENTILATION IN FRONT | |
| 236 | DESIGN PULSE SENSOR INPUT WITH | |
| 237 | DES.CONN.PULSE SENSOR INPUT DIN BAYONET | |
| 238 | PROT.CAP PULSE SENSOR INPUT y | |
| 239 | DM PLACE OF TAKEOFF PULSE SENSOR IN 172 mm | |
| 240 | PLACE OF TAKEOFF PULSE SENSOR INPUT COUNTER SHAFT CONSTANT 2 | |
| 241 | VERSION PULSE SENSOR SFA H68 WITHOUT GROOVE | |
| 245 | PROT.CAP PULSE SENSOR SFA H68 n | |
| 246 | NO. PULSES PULSE SENSOR SFAH68 6 IMP/U | |
| 251 | VER. PULSE SENSOR TRANSM. H70 WITH | |
| 252 | VER. CONNECT. PULSE SENSOR H70 DIN BAYONET | |
| 253 | DESIGN PULSE SENSOR H70 KITAS II | |
| 254 | INSTRUCTION SENSOR H70 ADR-EXPLOSION-PROOF | |
| 255 | PROT.CAP PULSE SENSOR TM H70 y | |
| 256 | NO PULSES PULSE SENSOR TM H70 6 IMP/U | |
| 257 | ASSEMBLY POS PULSE SENSOR H70 1 | |
| 258 | NOTE ASS. POS PULSE SENSOR H70 INSTALLATION DRAWING | |
| 270 | POSITION, OIL FILLER HOUSING LEFT+RIGHT | |
| 271 | NOTE ON OIL FILL FILL IN OVERFLOW | |
| 272 | OIL CAPACITY, GEARBOX 13 dm3 | |
| 273 | OIL FILL VARIANT EX WORKS | |
| 274 | OIL GRADE PERMISSIBLE ACC. TO TE-ML02 | |



| Pos. | Information | Amendment number |
|------|--|------------------|
| 275 | OIL CLASS FIRST FILLING E | |
| 276 | CODING OUTER CONSERVATION KA1+2 | |
| 277 | SCOPE OUTER CONSERVATION T | |
| 278 | CODING INNER CONSERVATION KI1 | |
| 279 | CONSERVATION SPECIFICATION ZFN 916 | |
| 280 | COLOR JET BLACK | |
| 281 | COLOUR CLASSIFICATION ACC. TO RAL 9005 | |
| 282 | PAINTING, ZF STANDARD 915 W | |
| 291 | Alias ID ----- | |
| 292 | MAN 81.32004-6006 | |

Assembly group overview

Page 1 from 2



Material number: 1342.002.015

16 S 2220 TO /

| Graphics | Pos. | Material number | Name | Quantity | Amend. no. | Techn. Info. |
|-------------|------|-----------------|----------------------|----------|------------|--------------|
| 068.01.05-1 | 110 | 1316.101.128 | TRANSMISSION HOUSING | 1 | | |
| 068.01.40-1 | 118 | 1315.101.409 | CONNECTING PARTS | 1 | | |
| 068.01.57-1 | 120 | 1316.101.989 | TRANSMISSION HOUSING | 1 | | |
| 068.02.59-1 | 140 | 1315.102.429 | CONNECTION PLATE | 1 | | |
| 068.02.82-1 | 150 | 1315.102.811 | INPUT SHAFT | 1 | | |
| 068.02.02-1 | 910 | 1316.102.032 | INPUT SHAFT | 1 | | |
| 068.03.80-1 | 180 | 1316.103.803 | COUNTERSHAFT | 1 | | |
| 068.03.01-1 | 920 | 1316.103.013 | COUNTERSHAFT | 1 | | |
| 068.04.13-1 | 930 | 1316.104.037 | MAIN SHAFT | 1 | | |
| 068.06.01-1 | 230 | 1316.106.008 | SHIFT SYSTEM | 1 | | |
| 068.06.43-1 | 234 | 1315.106.422 | CONNECTING PARTS | 1 | | |
| 068.06.80-1 | 238 | 1315.106.800 | SHIFT SYSTEM | 1 | | |
| 068.07.84-1 | 292 | 1341.108.806 | GEAR SHIFT HOUSING | 1 | | |
| 068.07.48-1 | 910 | 1341.108.010 | GEAR SHIFT HOUSING | 1 | | |
| 068.07.47-1 | 914 | 1341.108.409 | GEARSHIFT SHAFT | 1 | | |
| 068.07.82-1 | 924 | 1341.108.002 | DETENT | 1 | | |
| 068.08.22-1 | 954 | 1341.171.403 | END COVER | 1 | | |
| 068.08.02-1 | 960 | 1316.171.434 | PNEUMATIC SERVO UNIT | 1 | | |
| 068.08.79-1 | 964 | 1341.171.813 | CONNECTING PARTS | 1 | | |
| 068.09.03-1 | 934 | 1341.109.025 | CONNECTING PARTS | 1 | | |
| 068.09.08-1 | 940 | 1341.109.409 | CONNECTING PARTS | 1 | | |
| 068.10.89-1 | 296 | 1341.111.802 | SELECTOR LEVER | 1 | | |
| 068.10.08-1 | 932 | 1341.111.002 | SELECTOR LEVER | 1 | | |
| 068.12.25-1 | 920 | 1341.149.011 | SET OF SPRINGS | 1 | | |
| 068.40.04-1 | 500 | 1316.112.014 | GV-SHIFT SYSTEM | 1 | | |
| 068.40.43-1 | 502 | 1315.112.425 | CONNECTING PARTS | 1 | | |
| 068.43.21-1 | 10 | 1315.131.047 | COVER | 1 | | |
| 068.43.06-1 | 20 | 1315.131.050 | RC HOUSING | 1 | | |
| 068.43.40-1 | 30 | 1315.131.400 | CLOSING COMPONENTS | 1 | | |
| 068.43.80-1 | 512 | 1315.131.805 | RC HOUSING | 1 | | |
| 068.43.41-1 | 516 | 1315.131.436 | CONNECTING PARTS | 1 | | |
| 068.44.07-1 | 40 | 1315.132.015 | PLANETARY DRIVE | 1 | | |

Assembly group overview

Page 2 from 2



Material number: 1342.002.015

16 S 2220 TO /

| Graphics | Pos. | Material number | Name | Quantity | Amend. no. | Techn. Info. |
|-------------|------|-----------------|-----------------------|----------|------------|--------------|
| 068.44.41-1 | 50 | 1316.132.400 | PLANETARY DRIVE | 1 | | |
| 068.45.04-1 | 70 | 1316.133.008 | SYNCHRONIZER | 1 | | |
| 068.45.40-1 | 80 | 1315.133.405 | SYNCHRONIZER | 1 | | |
| 068.46.02-1 | 90 | 1316.134.021 | GP SHIFT SYSTEM | 1 | | |
| 068.46.41-1 | 554 | 1315.134.409 | CONNECTING PARTS | 1 | | |
| 068.57.12-1 | 390 | 1316.145.012 | RANGE SELECTION | 1 | | |
| 068.93.95-1 | 130 | 1315.168.019 | CLUTCH RELEASE DEVICE | 1 | | |
| 073.R0.01-1 | KIT | 1272.298.934 | SMALL COMP.SET | 1 | | |

Plant

Page 1 from 3

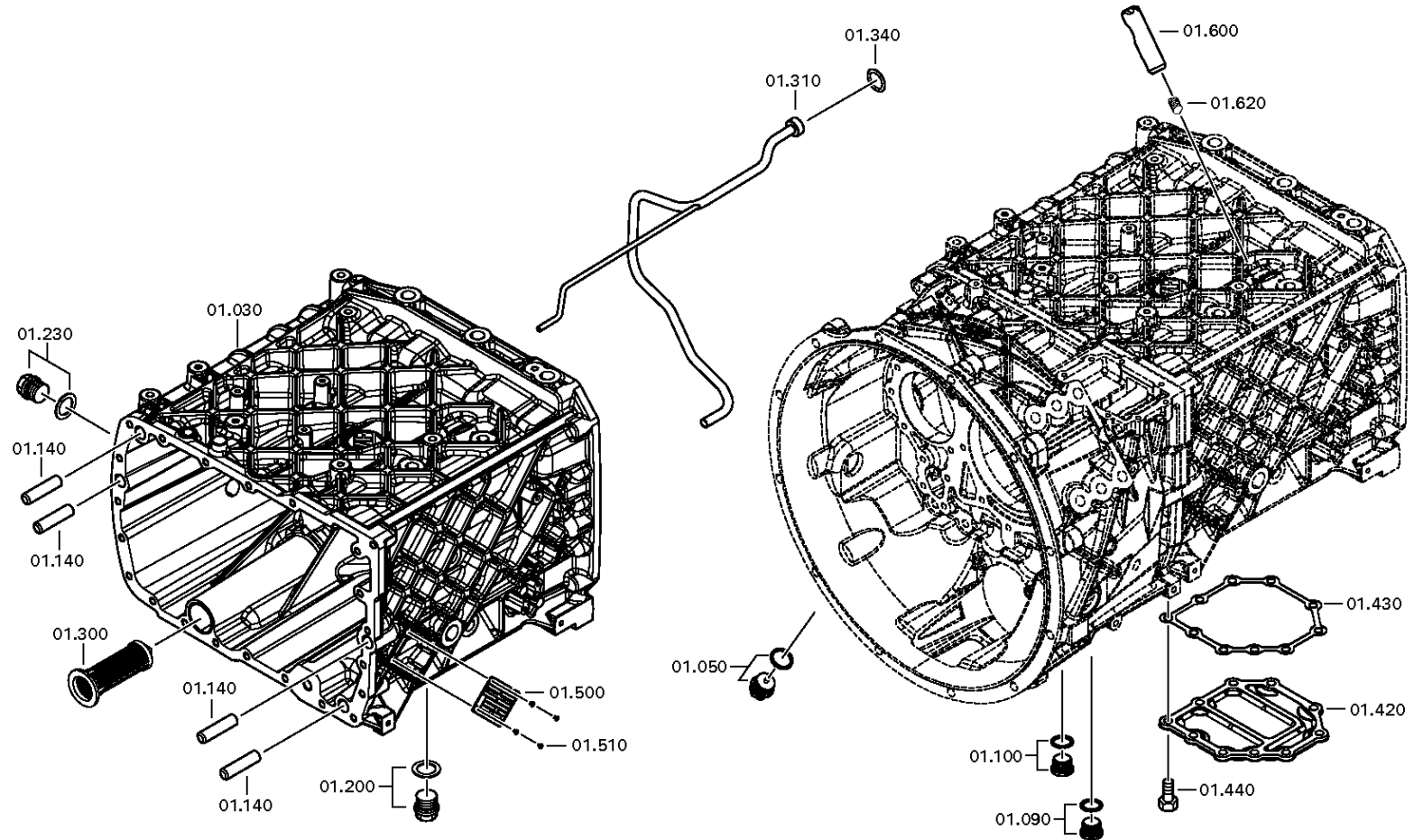
Material number: 1342.002.015

Plant: 068.01.05-1

TRANSMISSION HOUSING



16 S 2220 TO /
TRANSMISSION HOUSING



Plant

Page 2 from 3

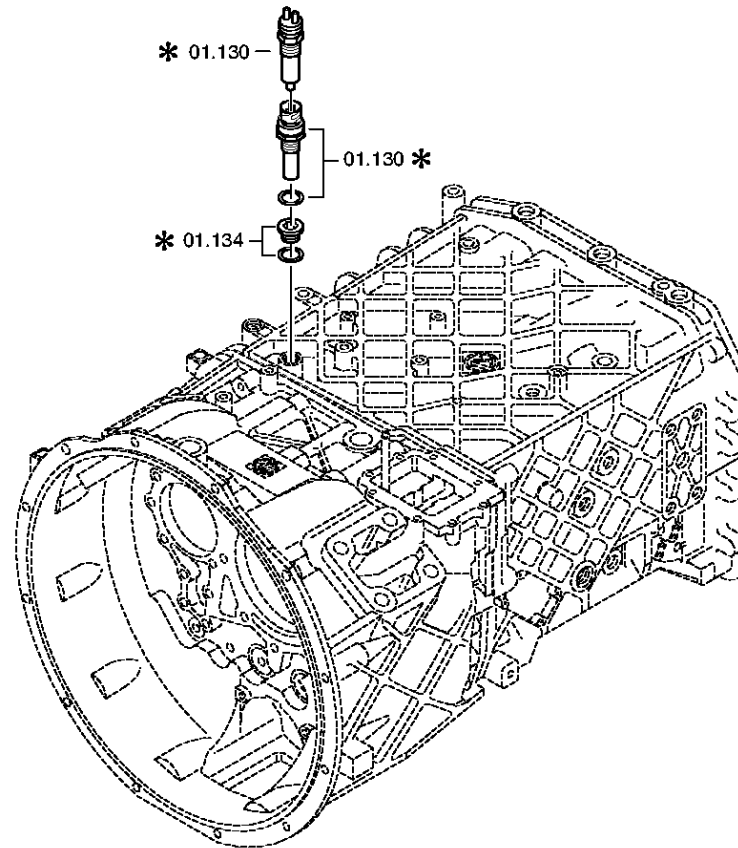
Material number: 1342.002.015

Plant: 068.01.40-1

TRANSMISSION HOUSING



16 S 2220 TO /
TRANSMISSION HOUSING



Plant

Page 3 from 3

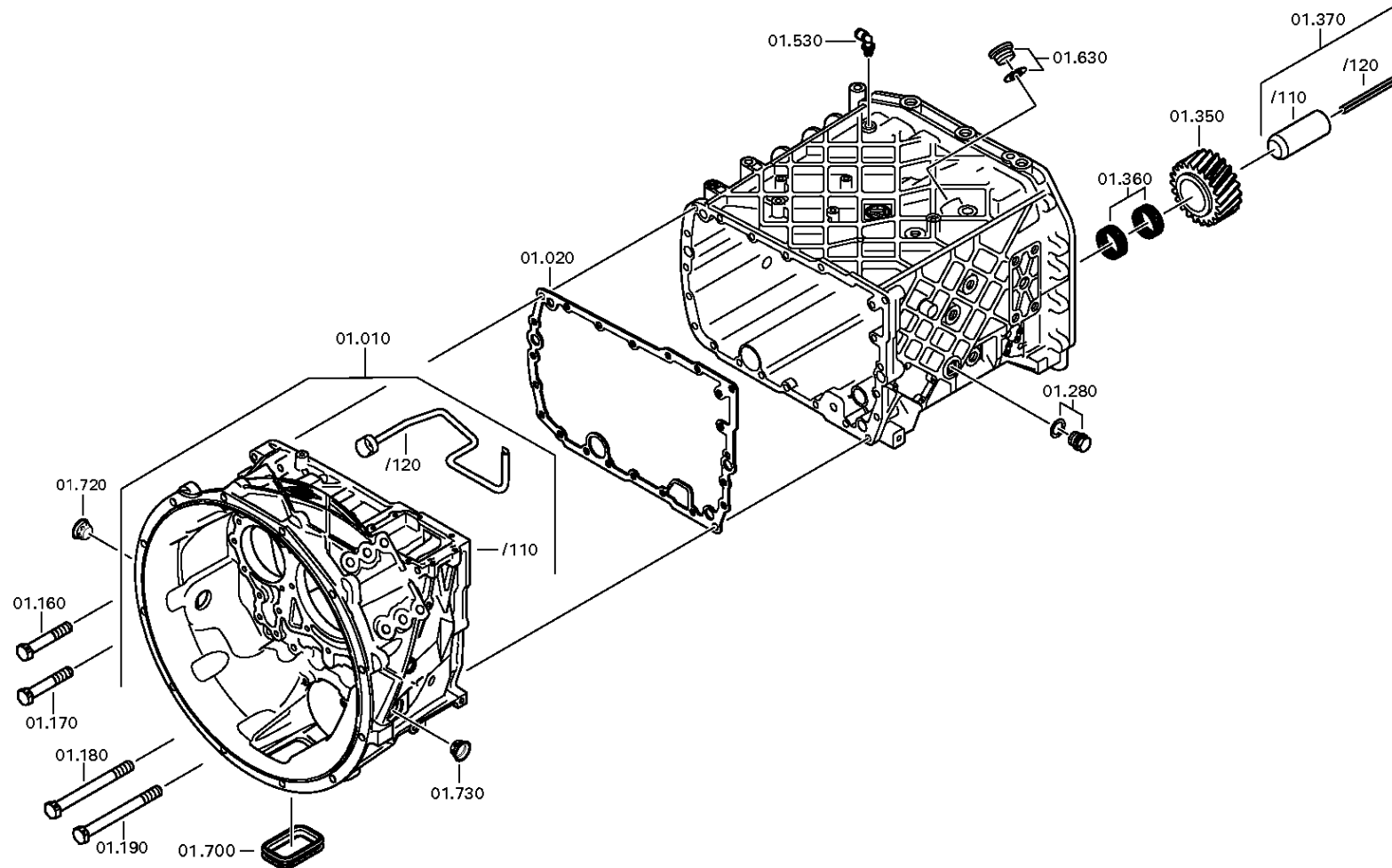
Material number: 1342.002.015

Plant: 068.01.57-1

TRANSMISSION HOUSING



16 S 2220 TO /
TRANSMISSION HOUSING



Plant

Page 1 from 3

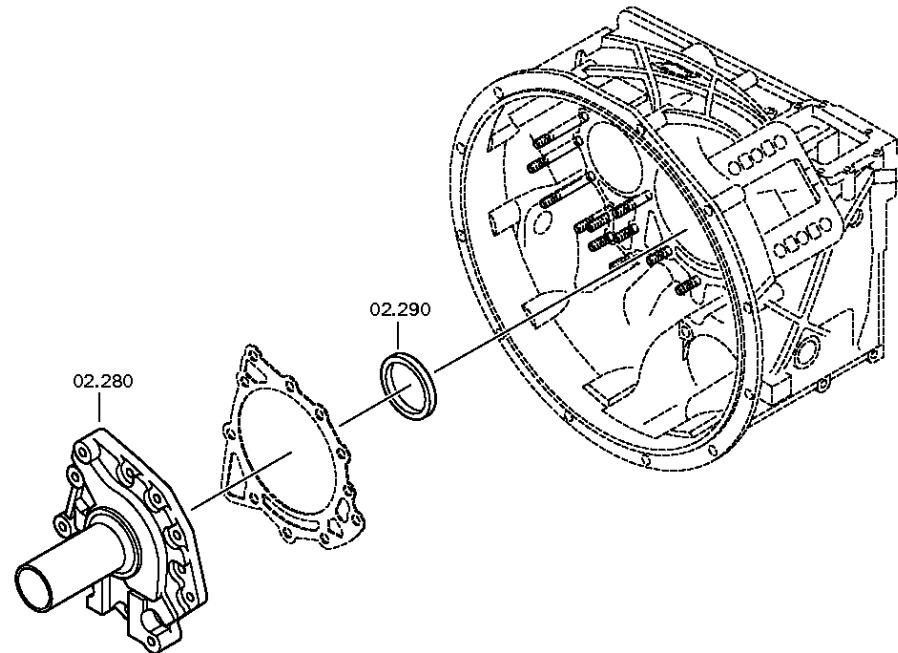
Material number: 1342.002.015

Plant: 068.02.59-1

CONNECTION PLATE



16 S 2220 TO /
CONNECTION PLATE



Plant

Page 3 from 3

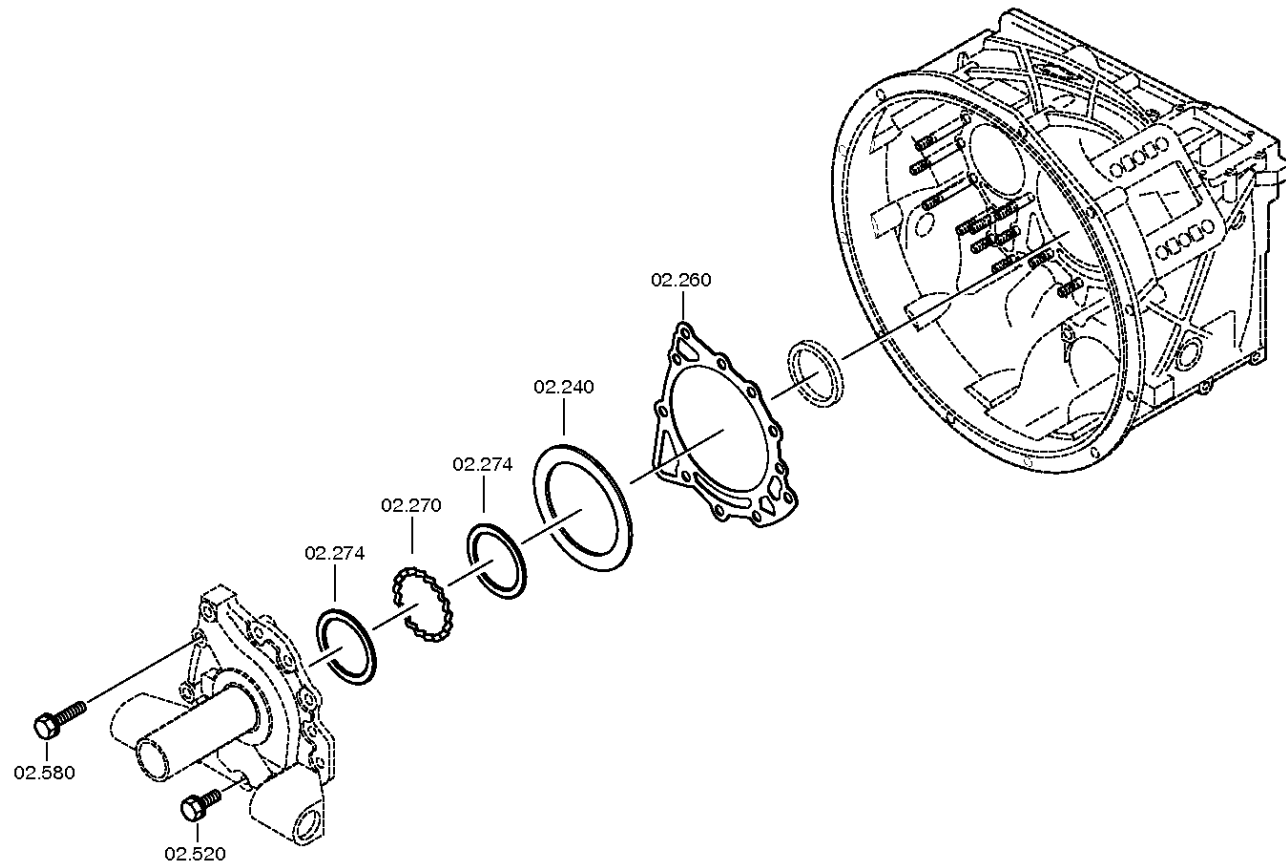
Material number: 1342.002.015

Plant: 068.02.82-1

CONNECTION PLATE



16 S 2220 TO /
CONNECTION PLATE



Plant

Page 1 from 2

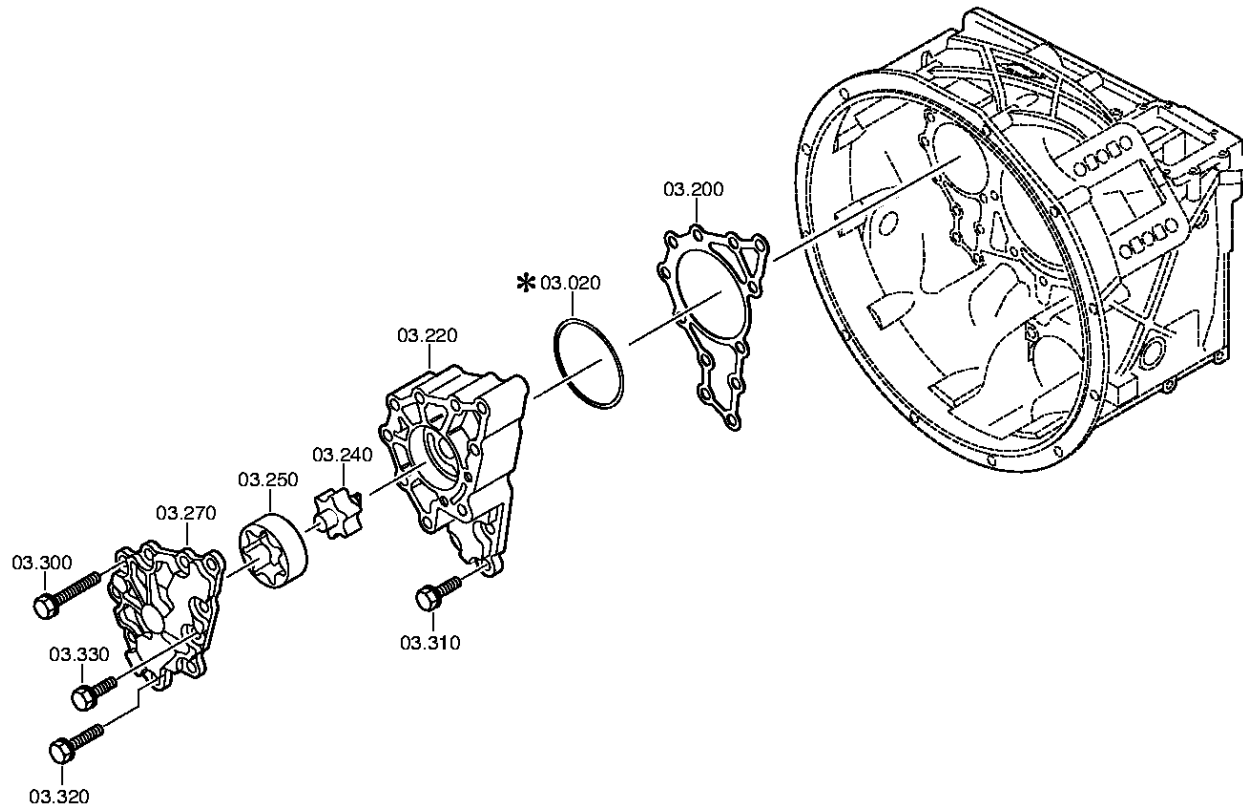
Material number: 1342.002.015

Plant: 068.03.80-1

COUNTERSHAFT



16 S 2220 TO /
COUNTERSHAFT



Plant

Page 2 from 2

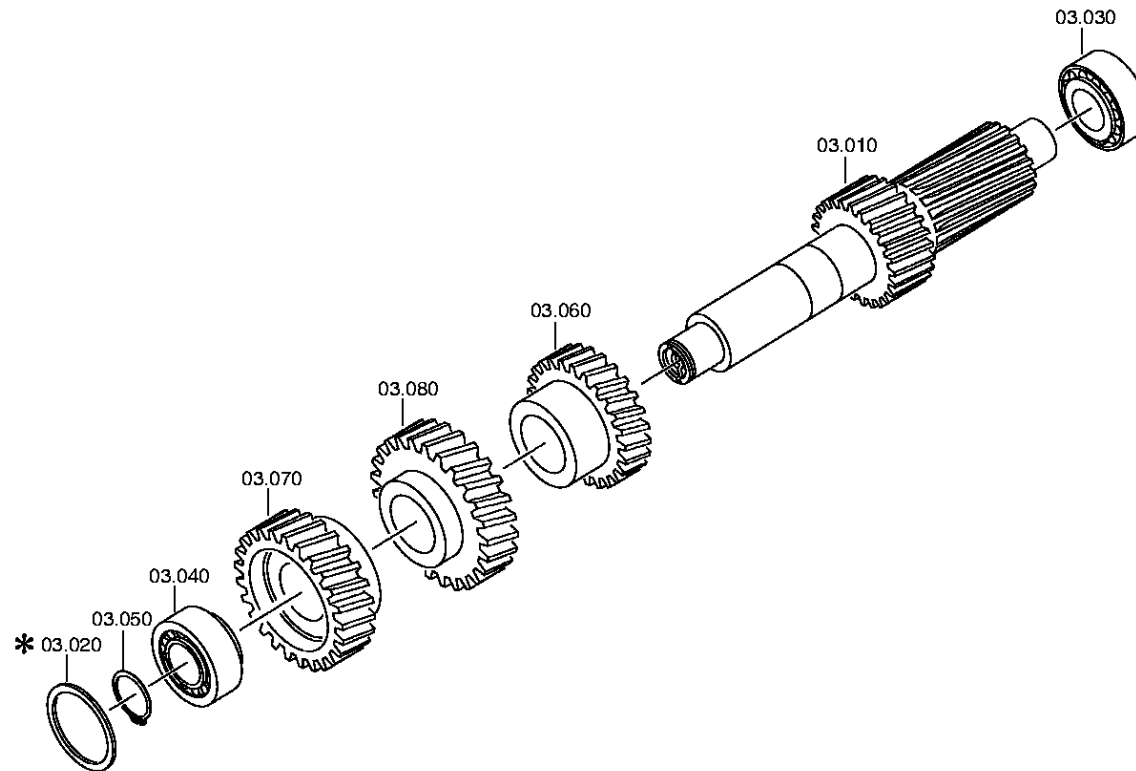
Material number: 1342.002.015

Plant: 068.03.01-1

COUNTERSHAFT



16 S 2220 TO /
COUNTERSHAFT



Plant

Page 1 from 1

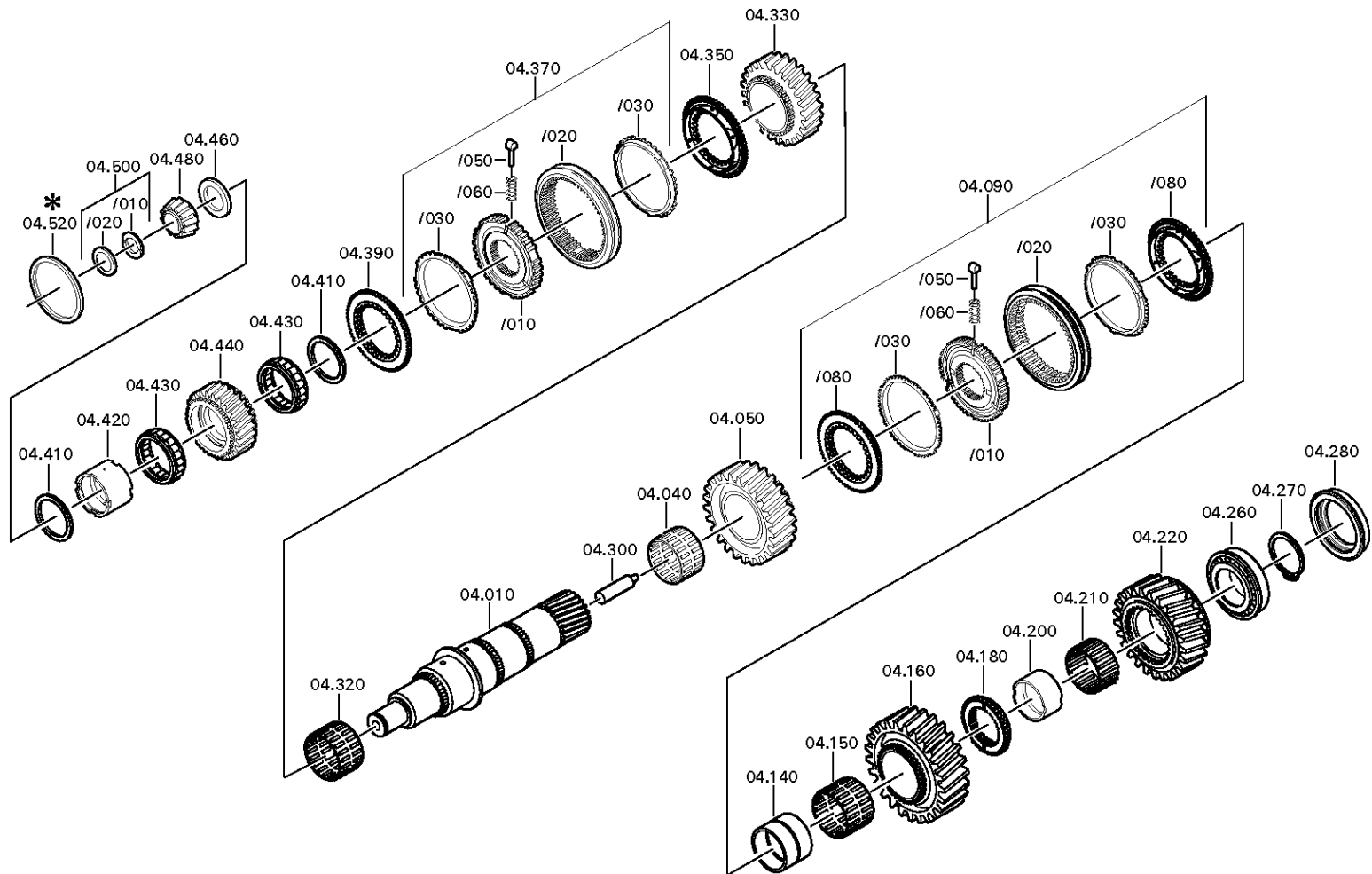
Material number: 1342.002.015

Plant: 068.04.13-1

Material-assembly-group-no: 1316.104.037



16 S 2220 TO /
MAIN SHAFT



Plant

Page 1 from 3

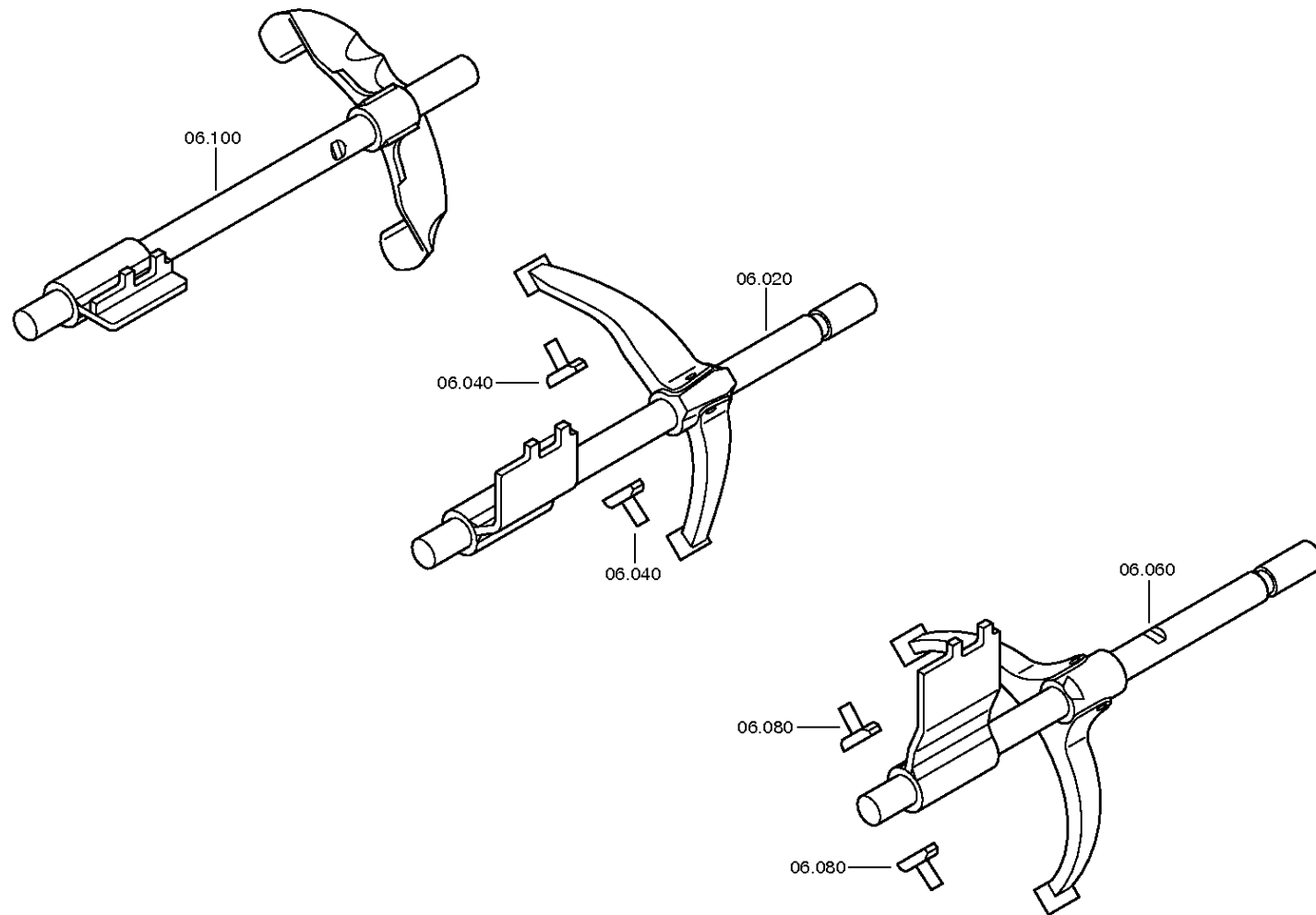
Material number: 1342.002.015

Plant: 068.06.01-1

SHIFT SYSTEM



16 S 2220 TO /
SHIFT SYSTEM



Plant

Page 2 from 3

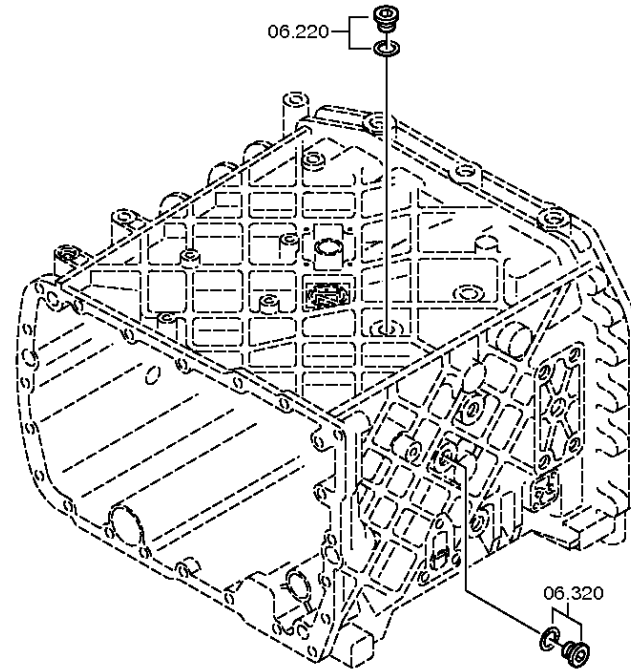
Material number: 1342.002.015

Plant: 068.06.43-1

SHIFT SYSTEM



16 S 2220 TO /
SHIFT SYSTEM



Plant

Page 3 from 3

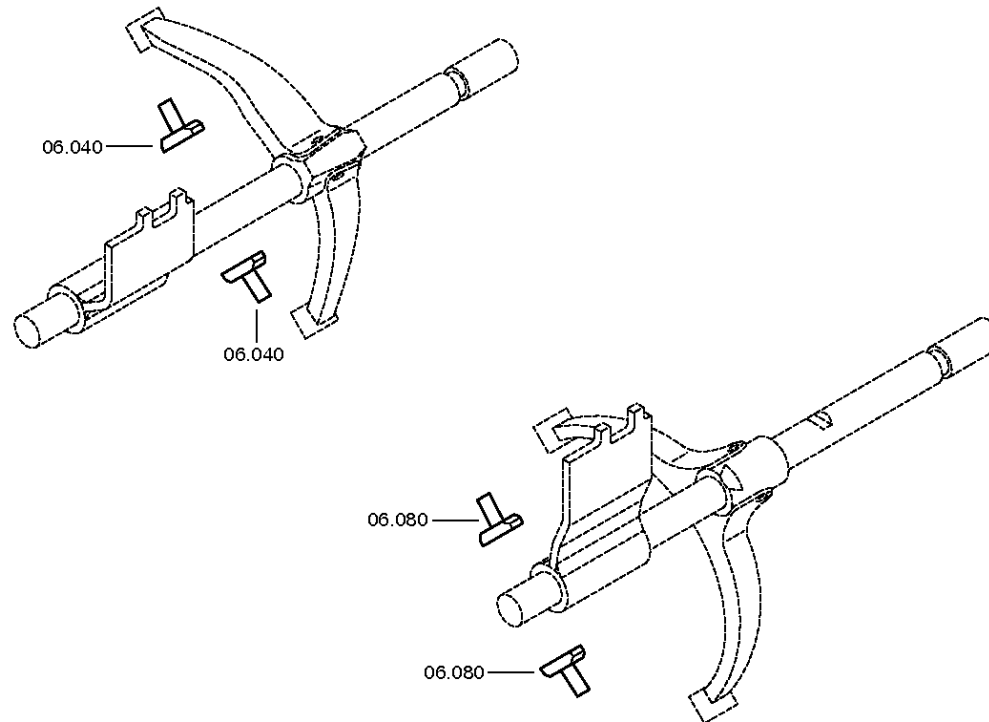
Material number: 1342.002.015

Plant: 068.06.80-1

SHIFT SYSTEM



16 S 2220 TO /
SHIFT SYSTEM



Plant

Page 1 from 4

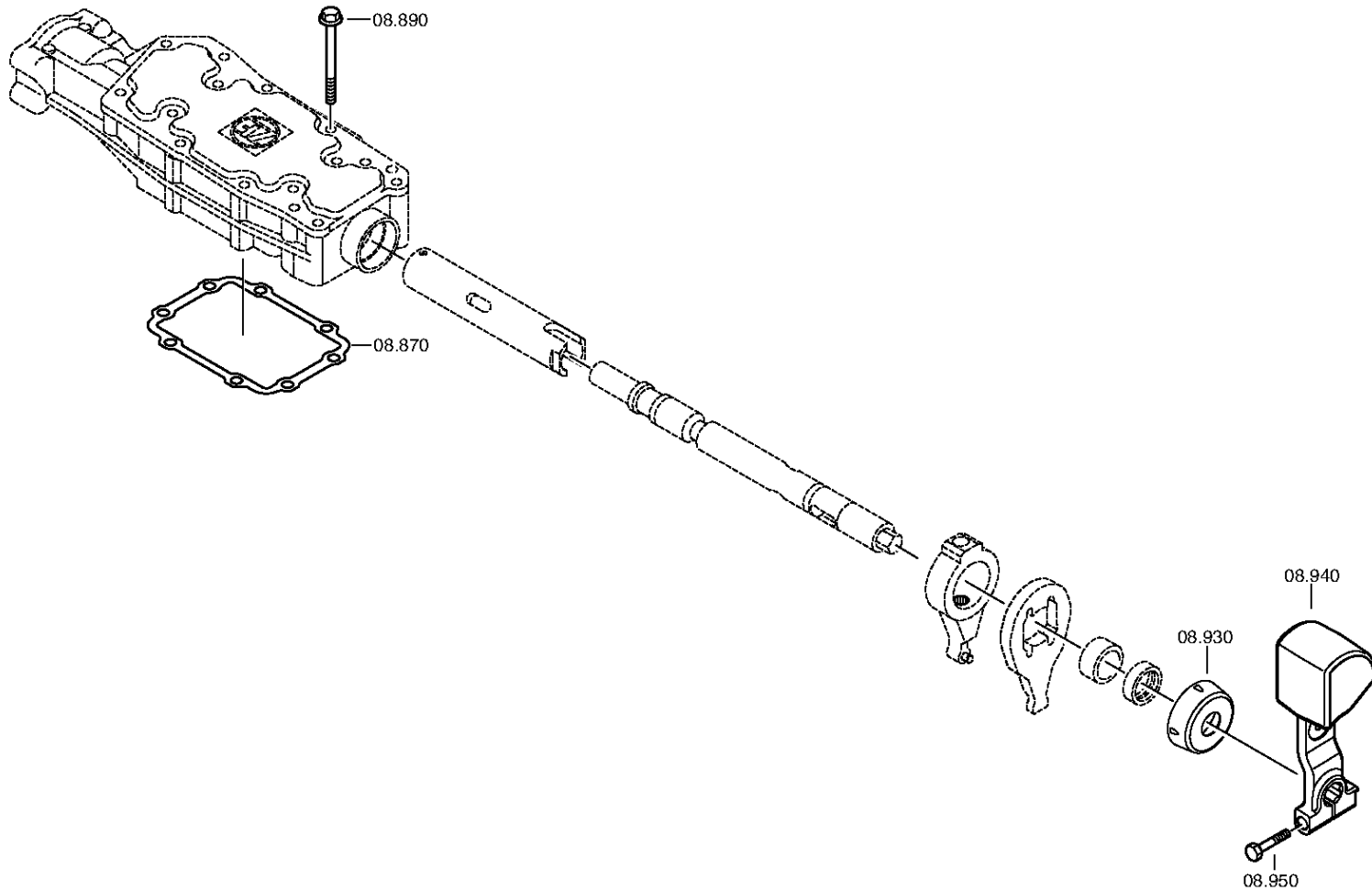
Material number: 1342.002.015

Plant: 068.07.84-1

GEAR SHIFT HOUSING



16 S 2220 TO /
GEAR SHIFT HOUSING



Plant

Page 2 from 4

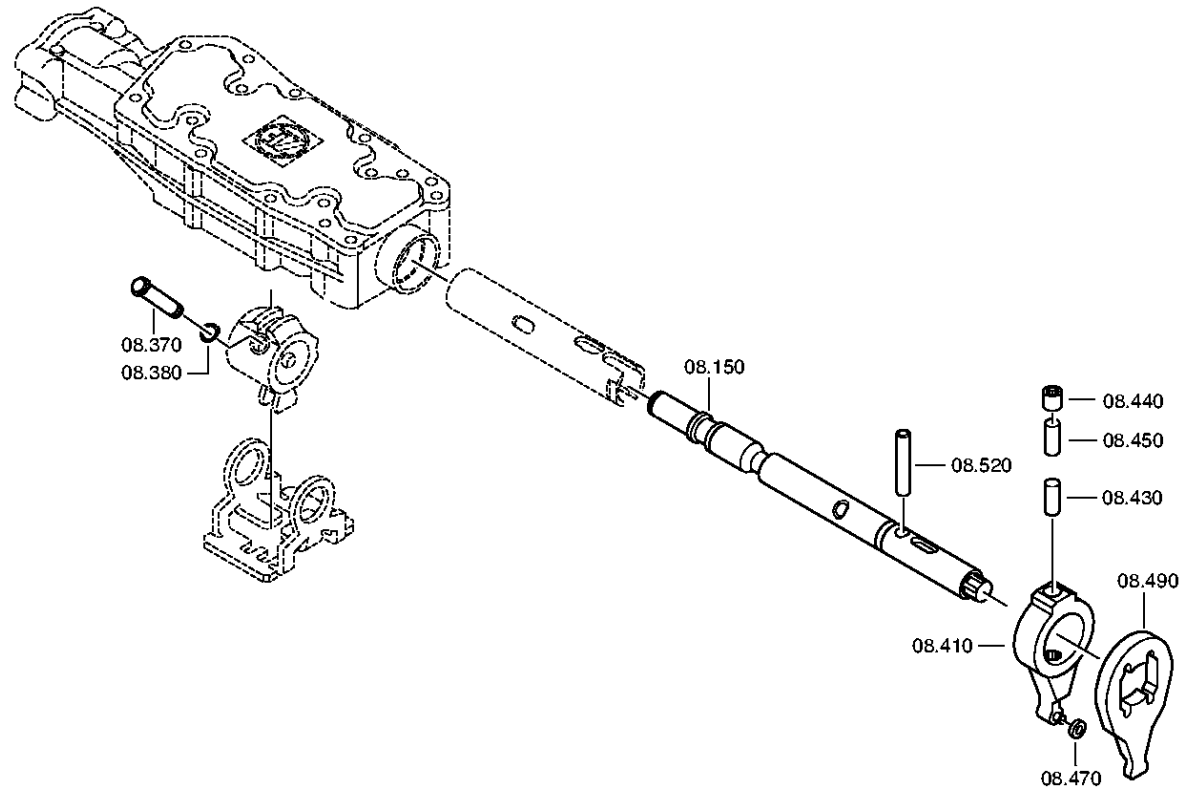
Material number: 1342.002.015

Plant: 068.07.47-1

GEAR SHIFT HOUSING



16 S 2220 TO /
GEAR SHIFT HOUSING



Plant

Page 3 from 4

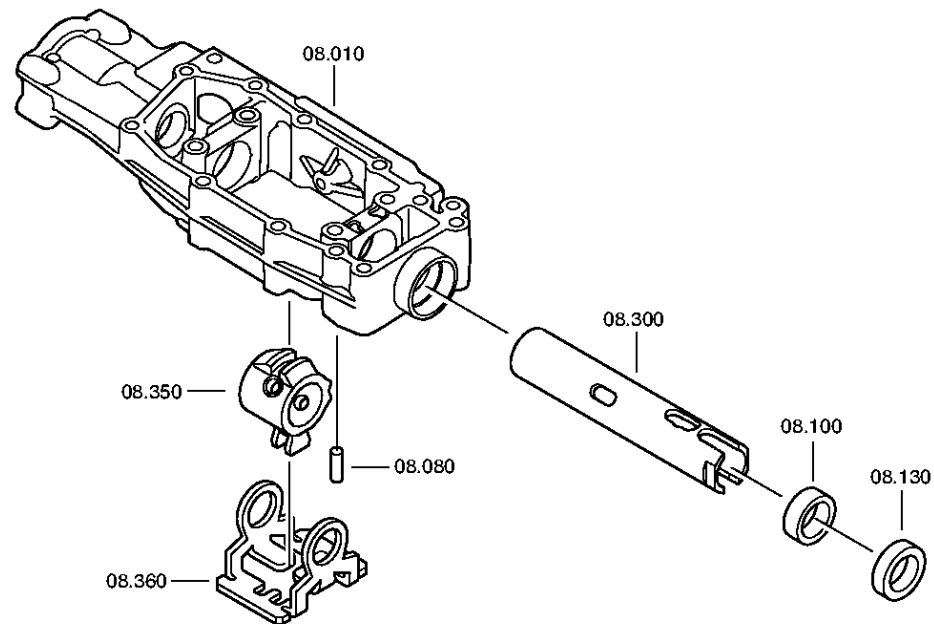
Material number: 1342.002.015

Plant: 068.07.48-1

GEAR SHIFT HOUSING



16 S 2220 TO /
GEAR SHIFT HOUSING



Plant

Page 4 from 4

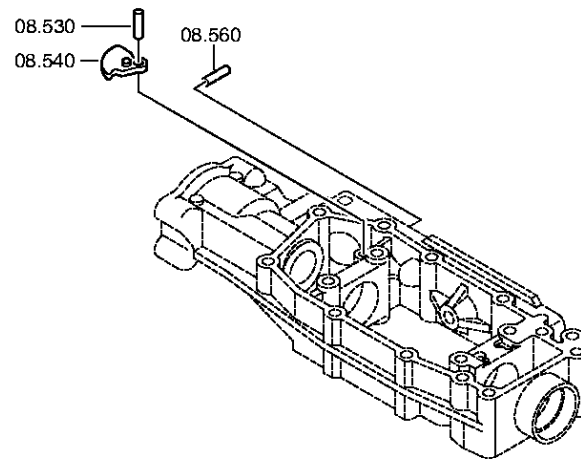
Material number: 1342.002.015

Plant: 068.07.82-1

GEAR SHIFT HOUSING



16 S 2220 TO /
GEAR SHIFT HOUSING



Plant

Page 1 from 3

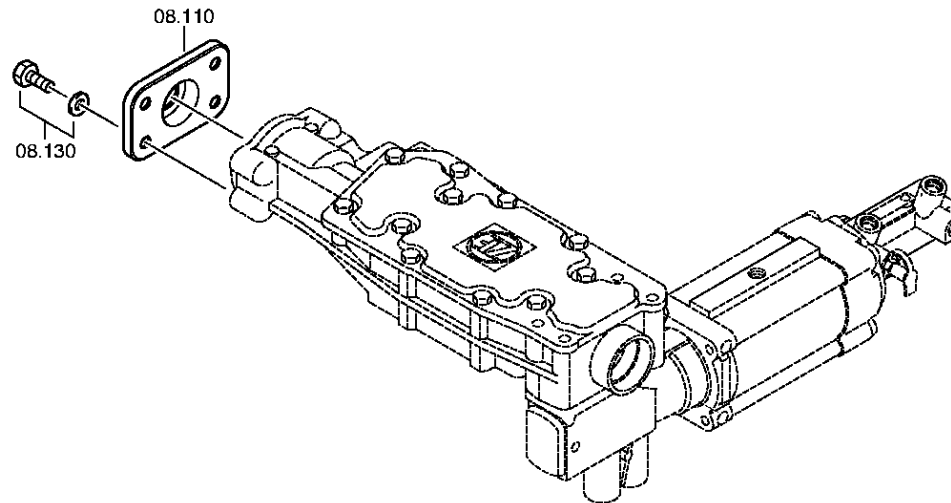
Material number: 1342.002.015

Plant: 068.08.22-1

END COVER



16 S 2220 TO /
END COVER



Plant

Page 2 from 3

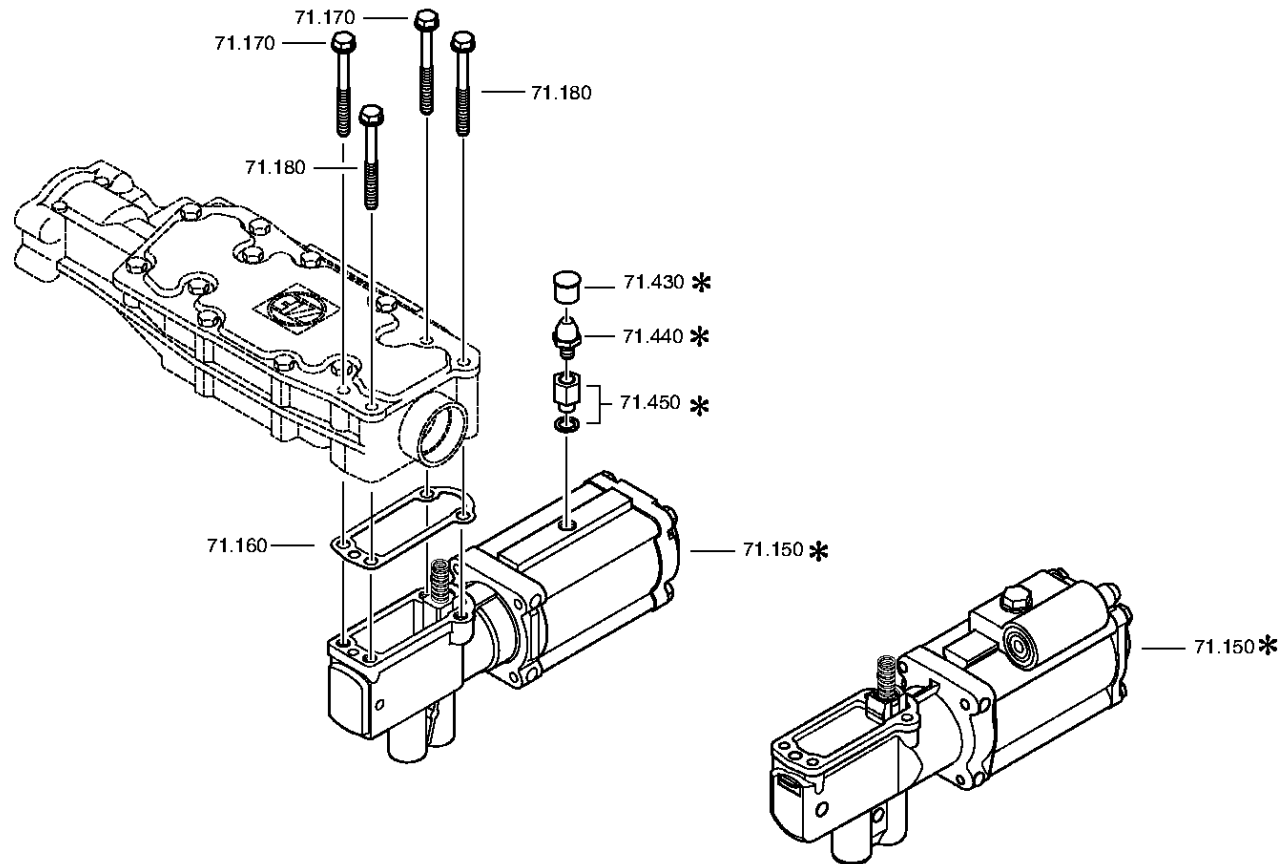
Material number: 1342.002.015

Plant: 068.08.02-1

END COVER



16 S 2220 TO /
END COVER



Plant

Page 3 from 3

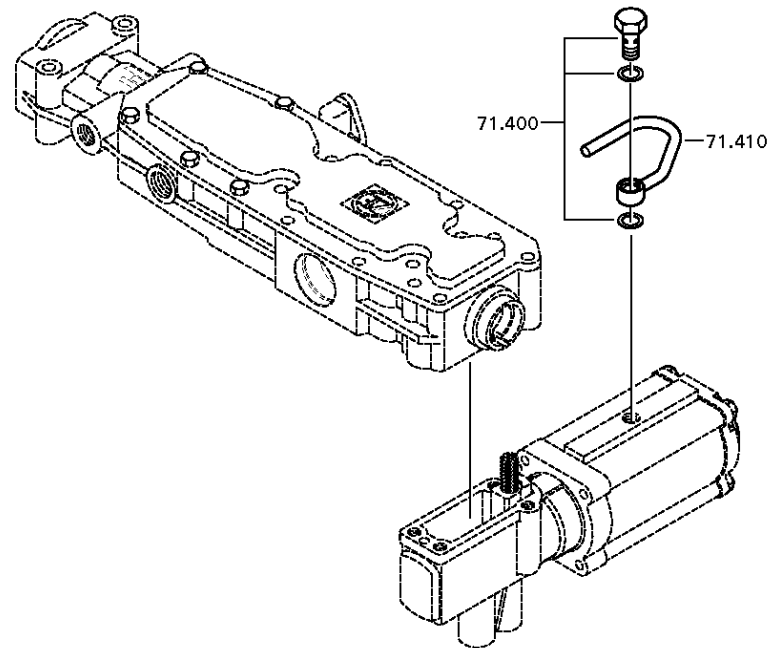
Material number: 1342.002.015

Plant: 068.08.79-1

END COVER



16 S 2220 TO /
END COVER



Plant

Page 1 from 2

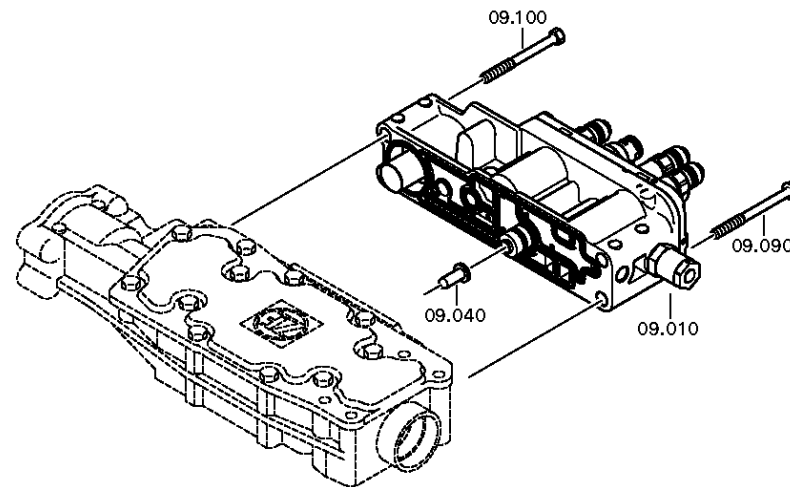
Material number: 1342.002.015

Plant: 068.09.03-1

CONNECTING PARTS



16 S 2220 TO /
CONNECTING PARTS



Plant

Page 2 from 2

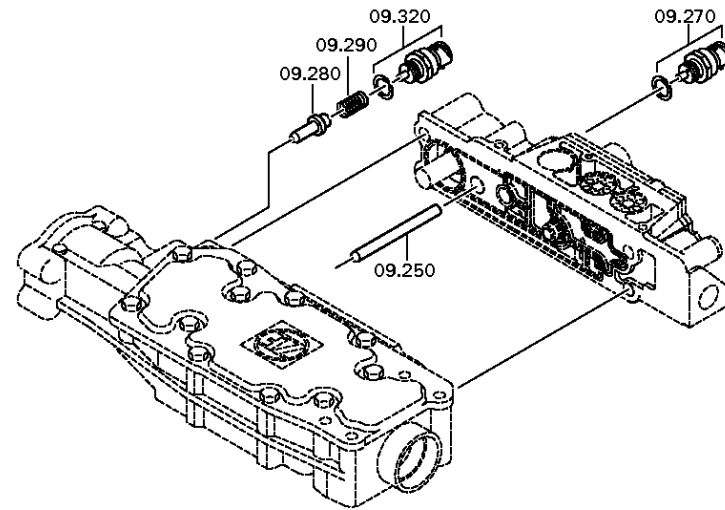
Material number: 1342.002.015

Plant: 068.09.08-1

CONNECTING PARTS



16 S 2220 TO /
CONNECTING PARTS



Plant

Page 1 from 2

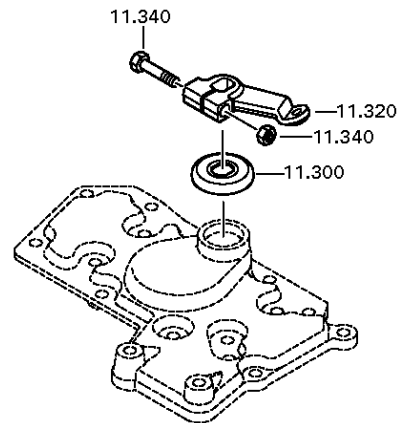
Material number: 1342.002.015

Plant: 068.10.89-1

SELECTOR LEVER



16 S 2220 TO /
SELECTOR LEVER



Plant

Page 2 from 2

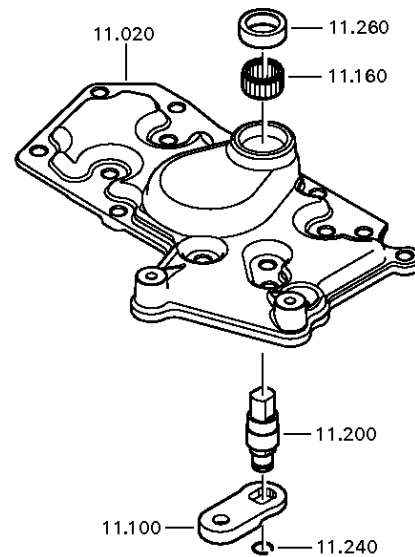
Material number: 1342.002.015

Plant: 068.10.08-1

SELECTOR LEVER



16 S 2220 TO /
SELECTOR LEVER



Plant

Page 1 from 1

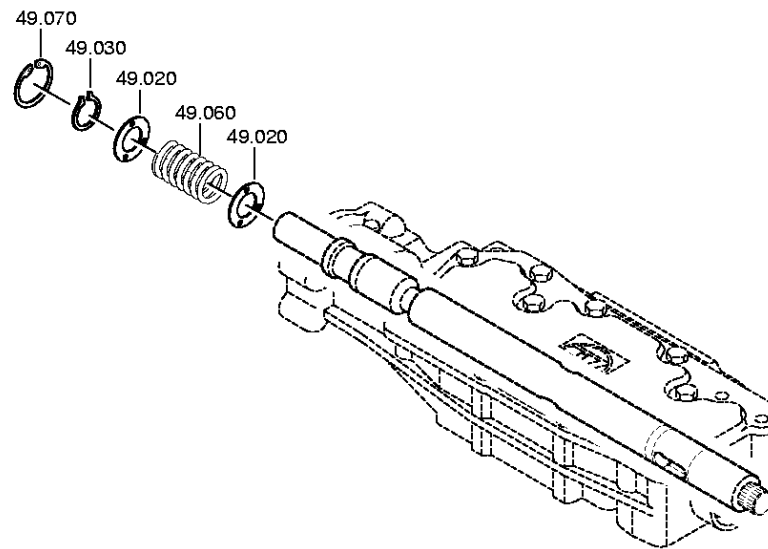
Material number: 1342.002.015

Plant: 068.12.25-1

Material-assembly-group-no: 1341.149.011



16 S 2220 TO /
SET OF SPRINGS



Plant

Page 2 from 2

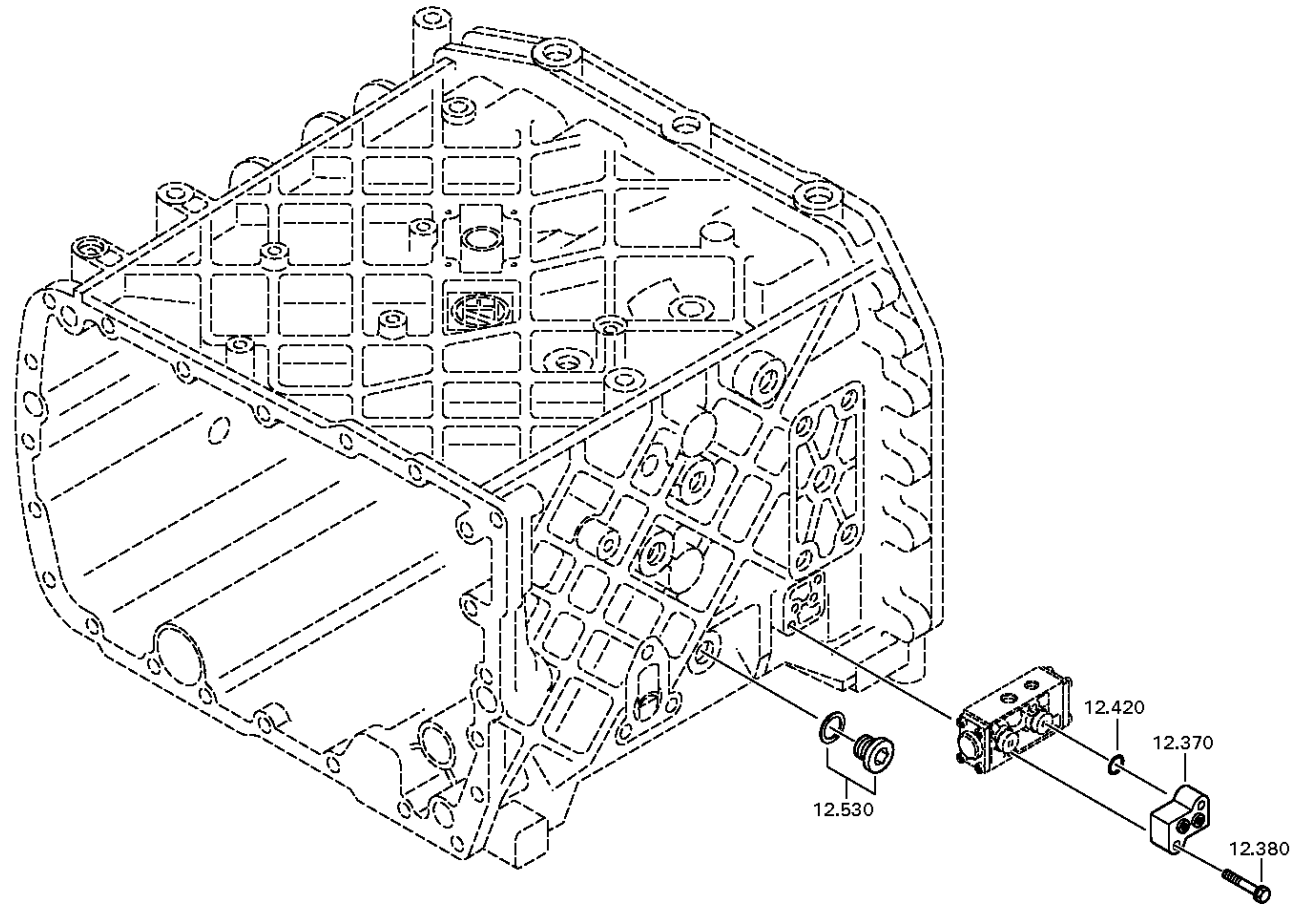
Material number: 1342.002.015

Plant: 068.40.43-1

GV-SHIFT SYSTEM



16 S 2220 TO /
GV-SHIFT SYSTEM



Plant

Page 1 from 5

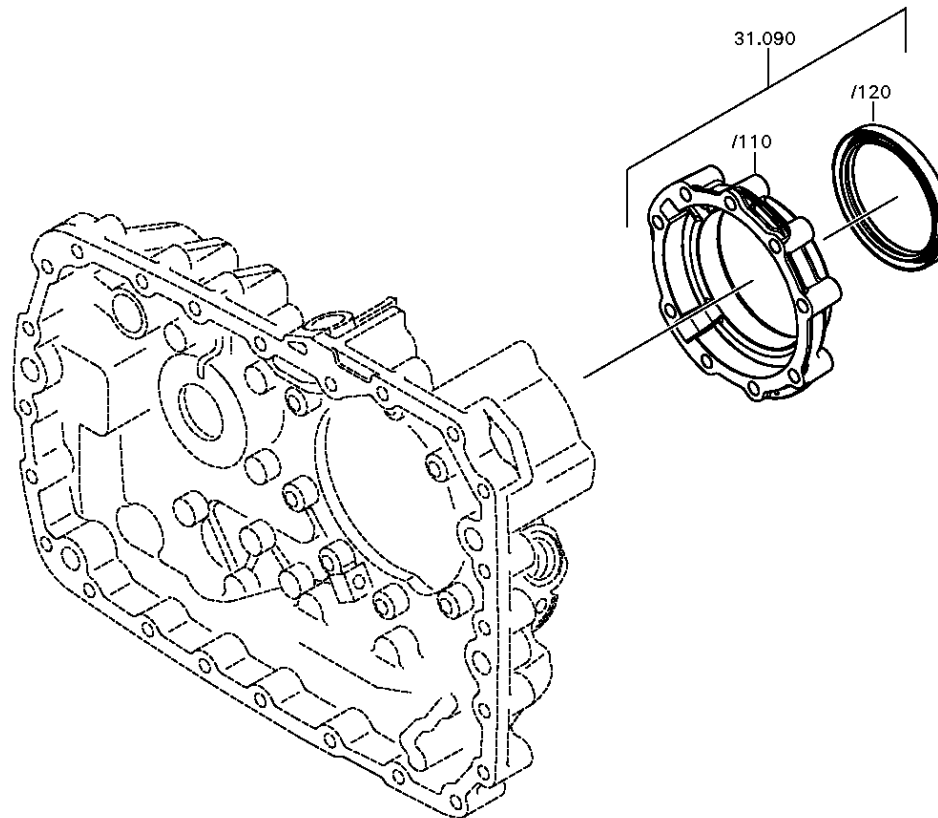
Material number: 1342.002.015

Plant: 068.43.21-1

COVER



16 S 2220 TO /
COVER



Plant

Page 2 from 5

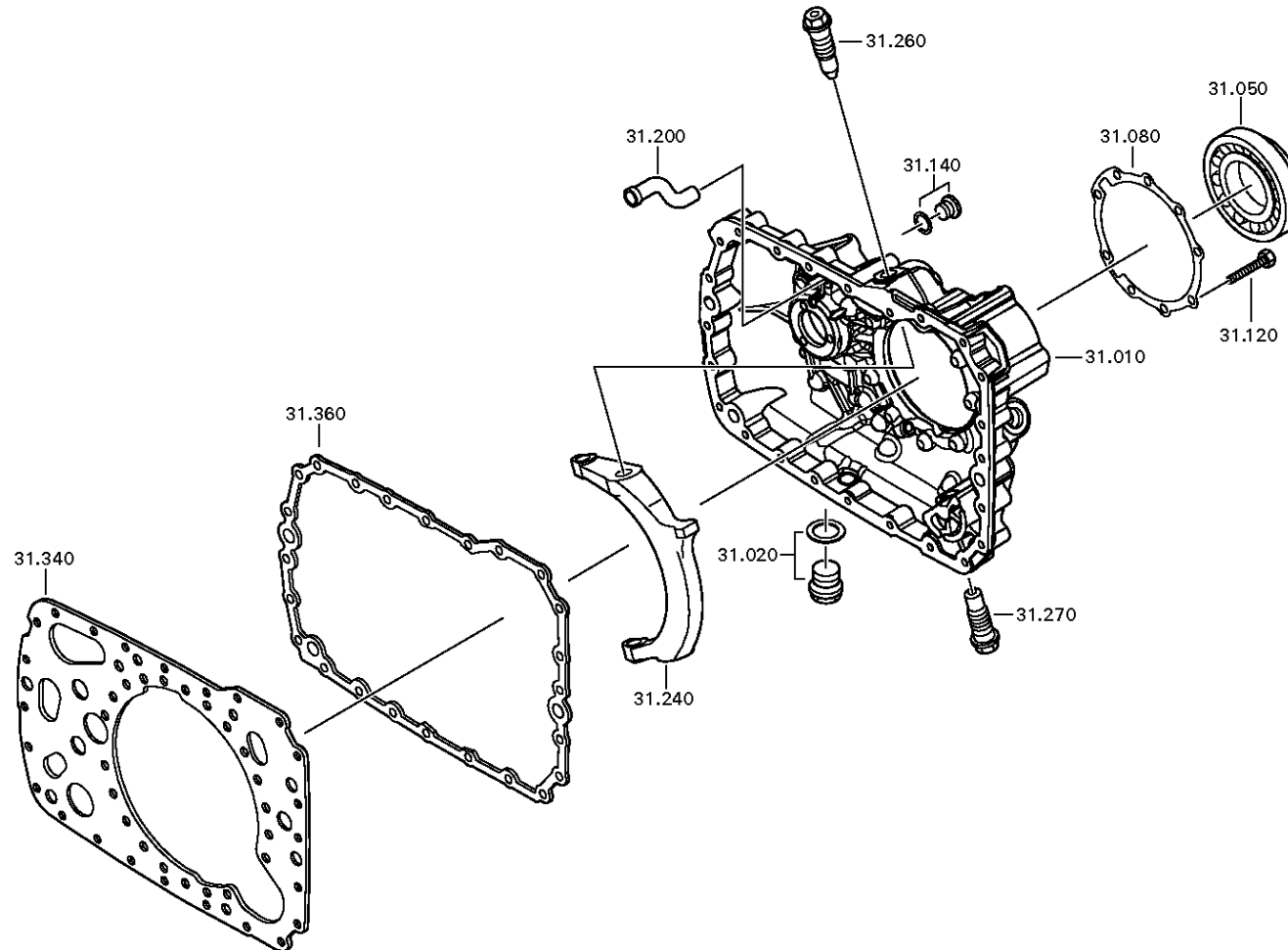
Material number: 1342.002.015

Plant: 068.43.06-1

COVER



16 S 2220 TO /
COVER



Plant

Page 3 from 5

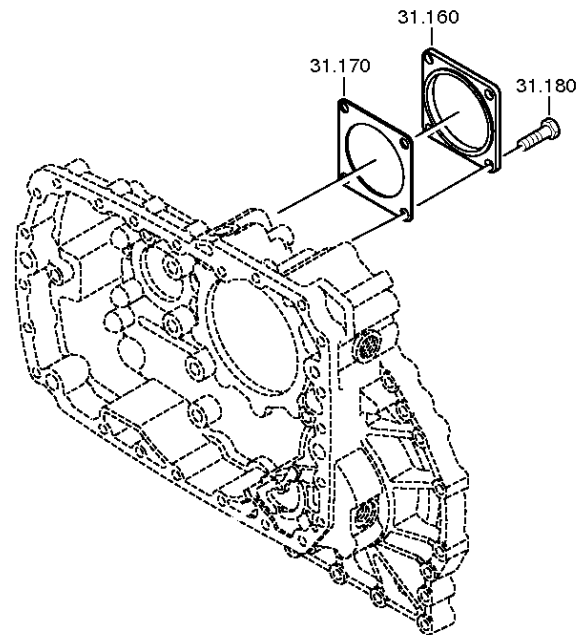
Material number: 1342.002.015

Plant: 068.43.40-1

COVER



16 S 2220 TO /
COVER



Plant

Page 4 from 5

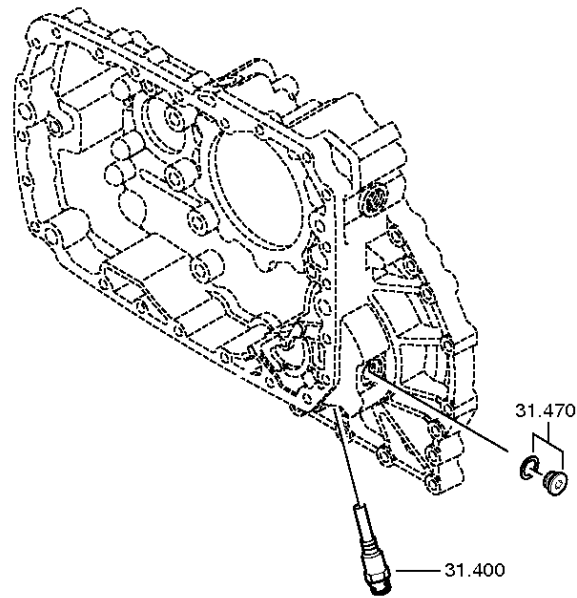
Material number: 1342.002.015

Plant: 068.43.41-1

COVER



16 S 2220 TO /
COVER



Plant

Page 5 from 5

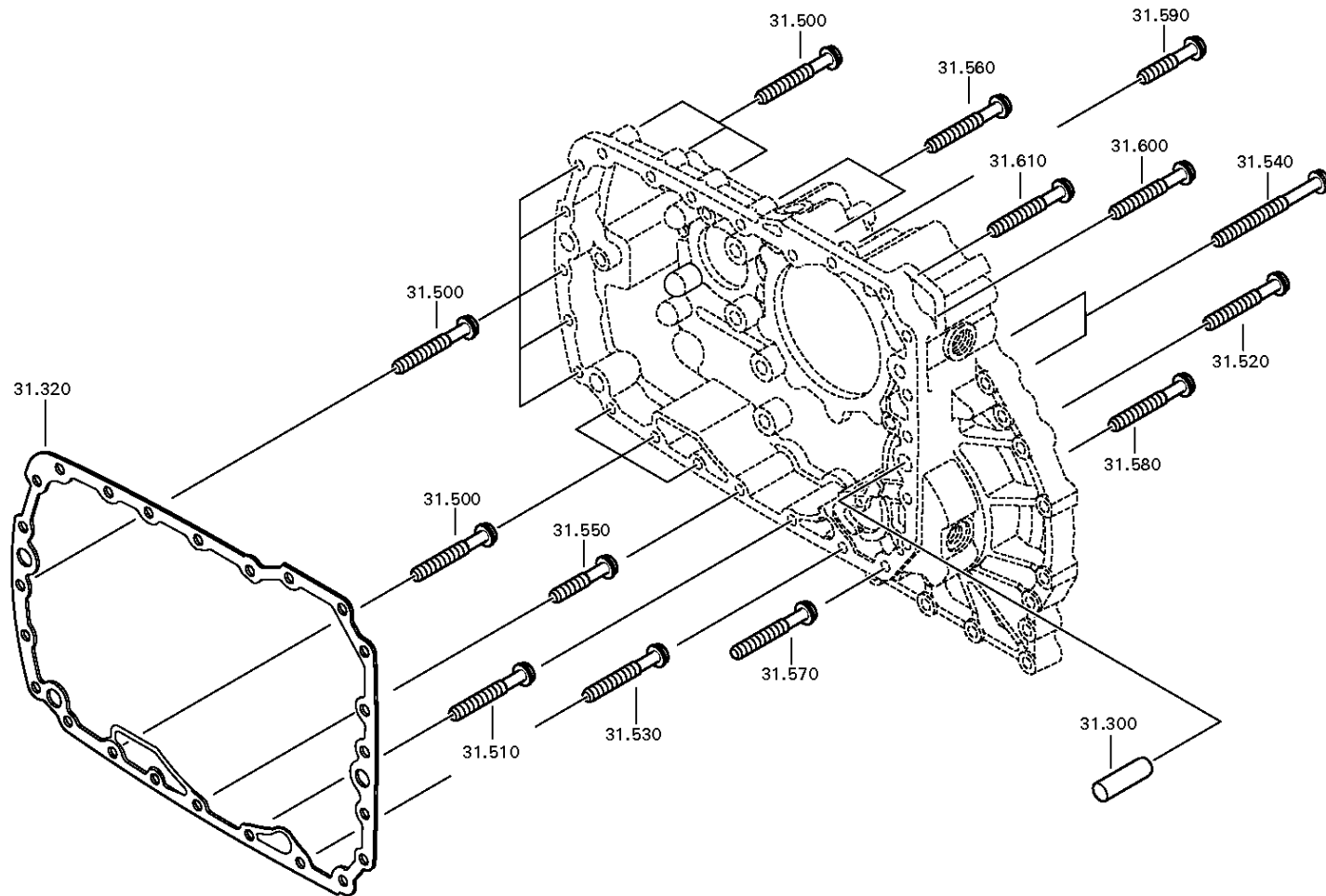
Material number: 1342.002.015

Plant: 068.43.80-1

COVER



16 S 2220 TO /
COVER



Plant

Page 1 from 2

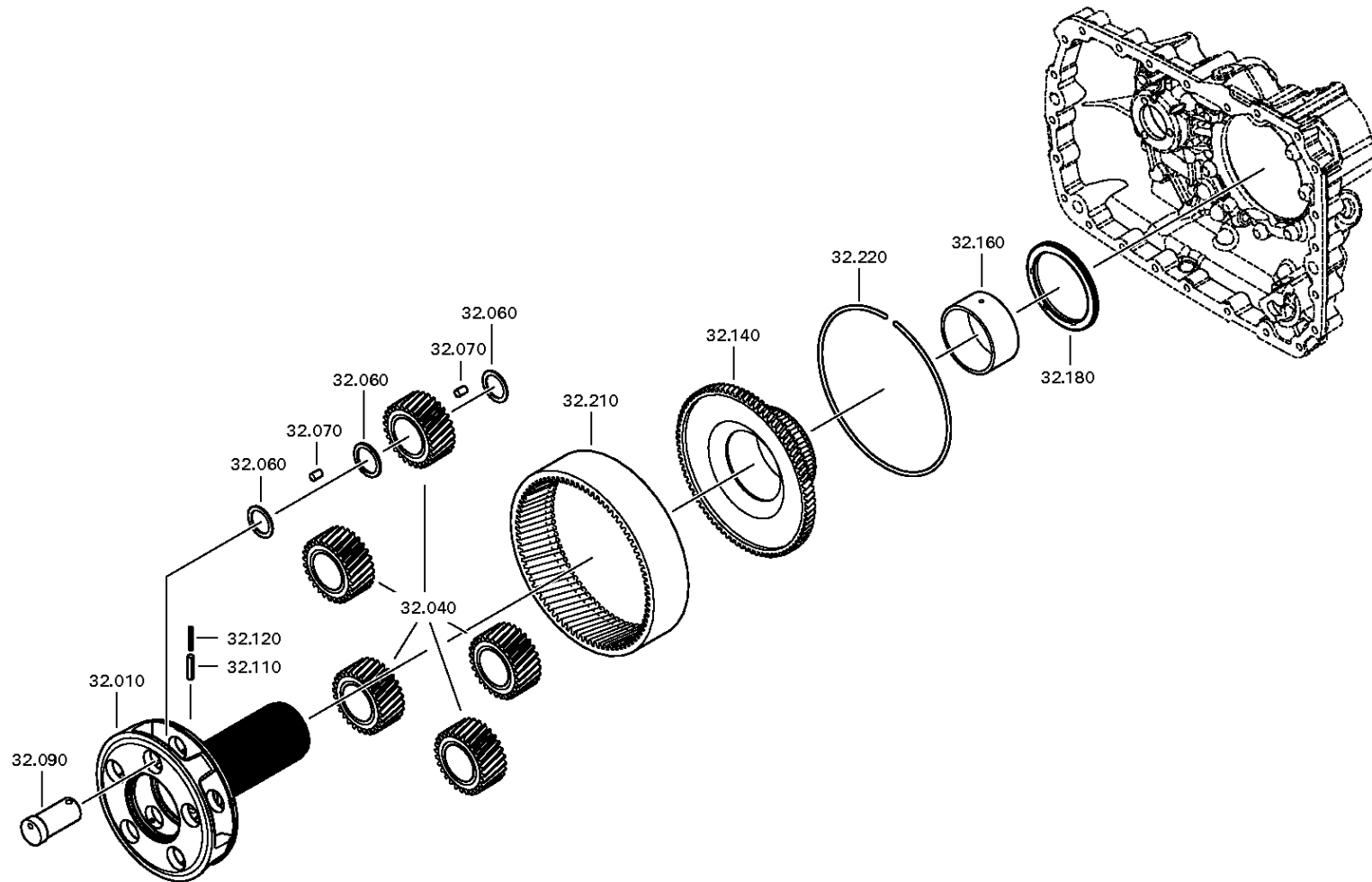
Material number: 1342.002.015

Plant: 068.44.07-1

PLANETARY DRIVE



16 S 2220 TO /
PLANETARY DRIVE



Plant

Page 2 from 2

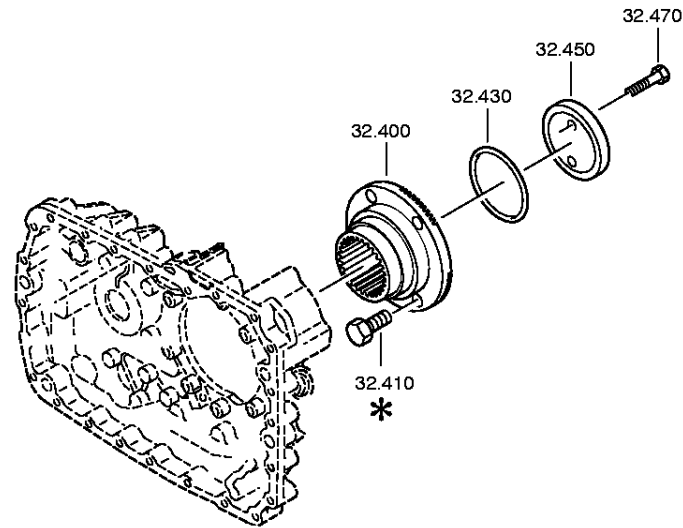
Material number: 1342.002.015

Plant: 068.44.41-1

PLANETARY DRIVE



16 S 2220 TO /
PLANETARY DRIVE



Plant

Page 1 from 3

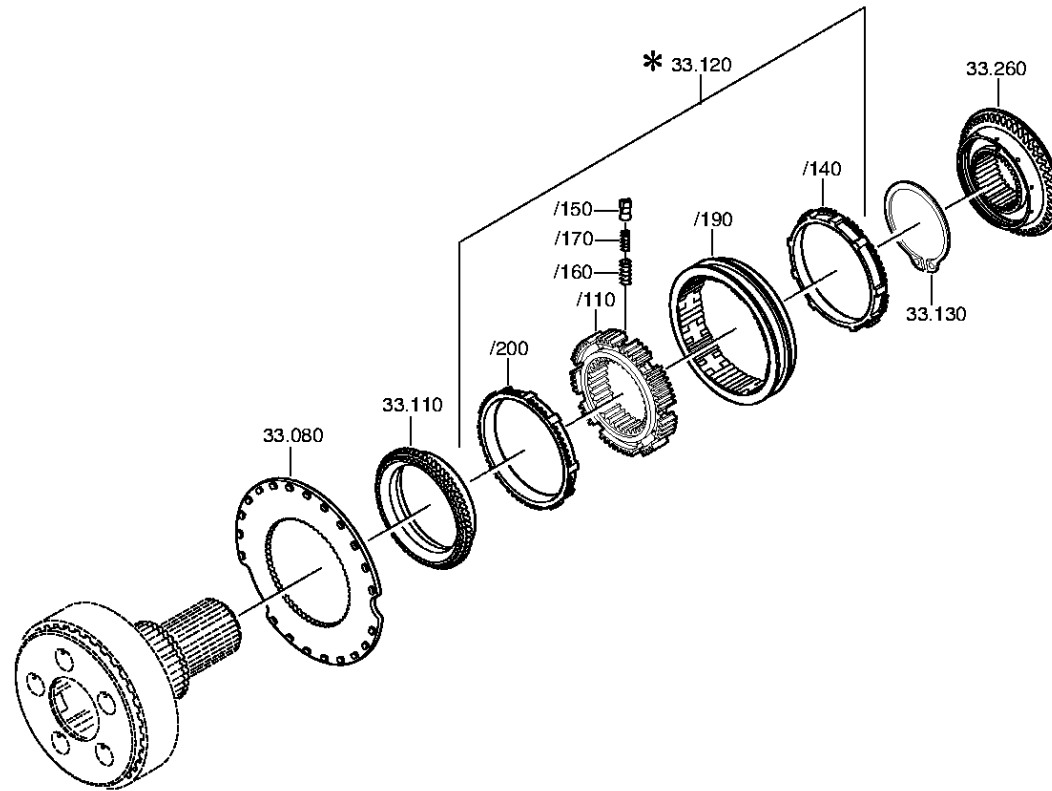
Material number: 1342.002.015

Plant: 068.45.04-1

SYNCHRONIZER



16 S 2220 TO /
SYNCHRONIZER



Plant

Page 2 from 3

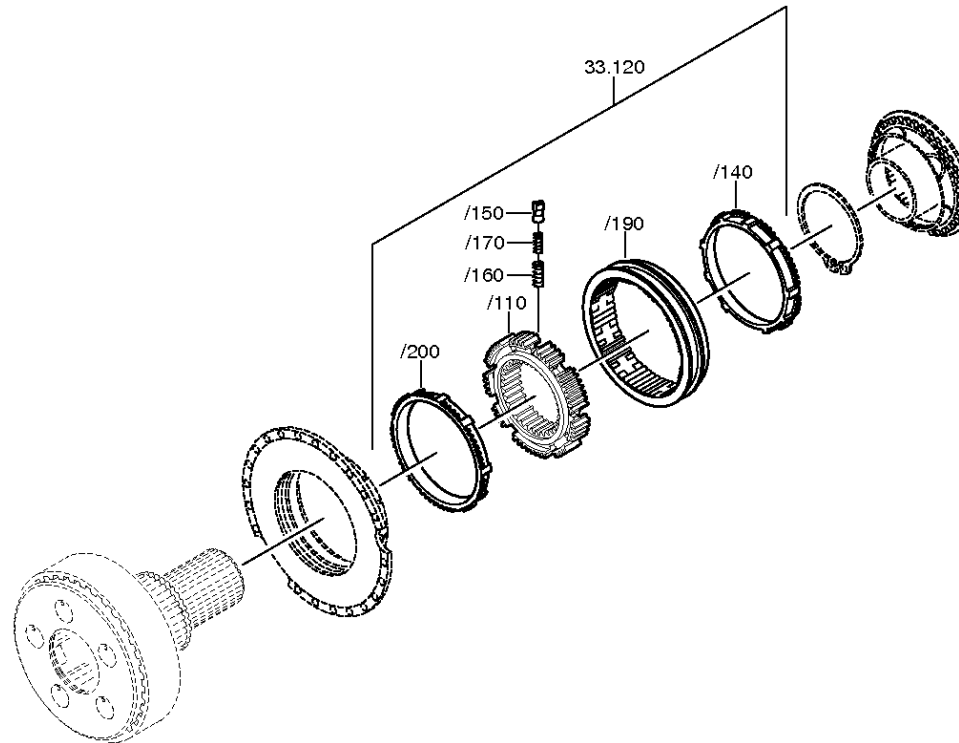
Material number: 1342.002.015

Plant: 068.45.40-1

SYNCHRONIZER



16 S 2220 TO /
SYNCHRONIZER



Plant

Page 3 from 3

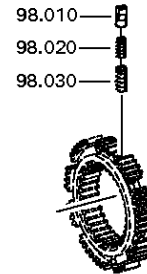
Material number: 1342.002.015

Plant: 073.R0.01-1

SYNCHRONIZER



16 S 2220 TO /
SYNCHRONIZER



Plant

Page 1 from 2

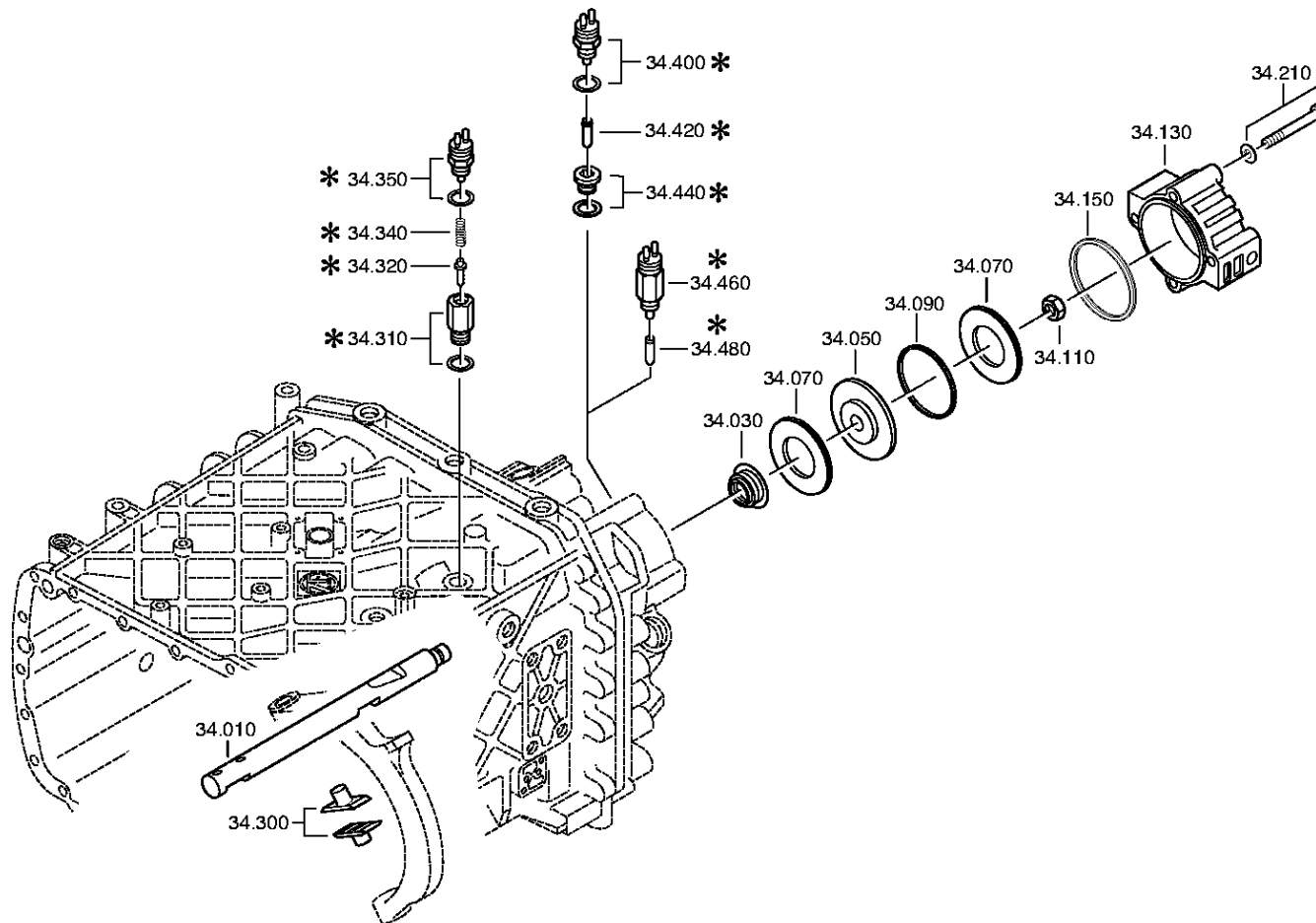
Material number: 1342.002.015

Plant: 068.46.02-1

GP SHIFT SYSTEM



16 S 2220 TO /
GP SHIFT SYSTEM



Plant

Page 2 from 2

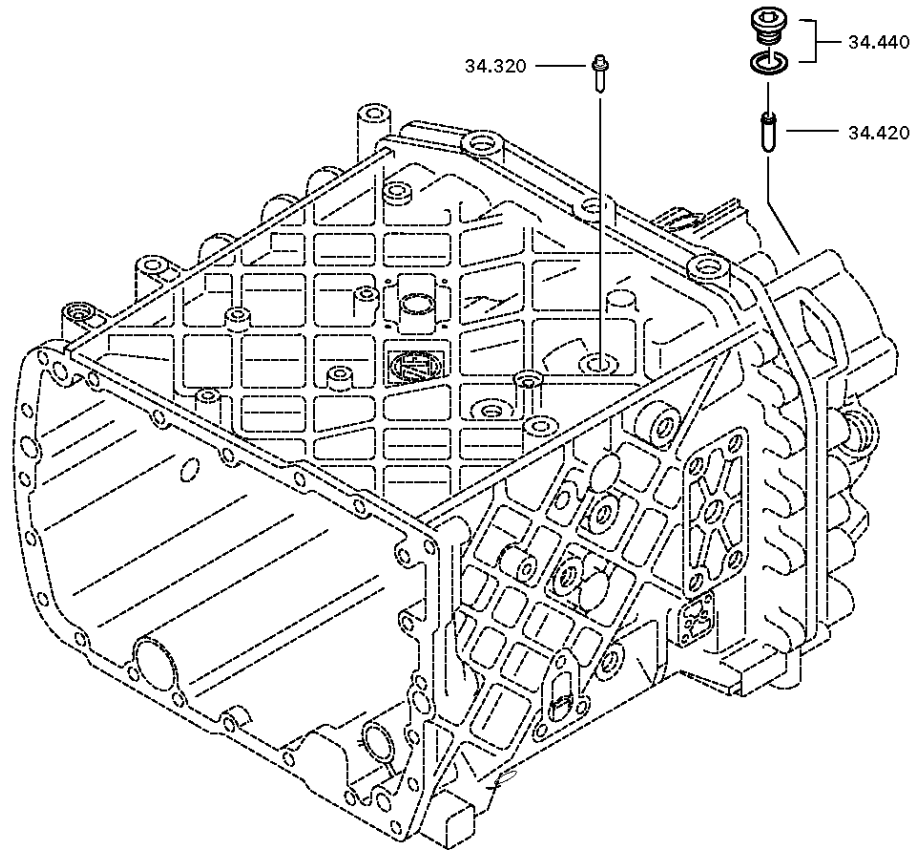
Material number: 1342.002.015

Plant: 068.46.41-1

GP SHIFT SYSTEM



16 S 2220 TO /
GP SHIFT SYSTEM



Plant

Page 1 from 1

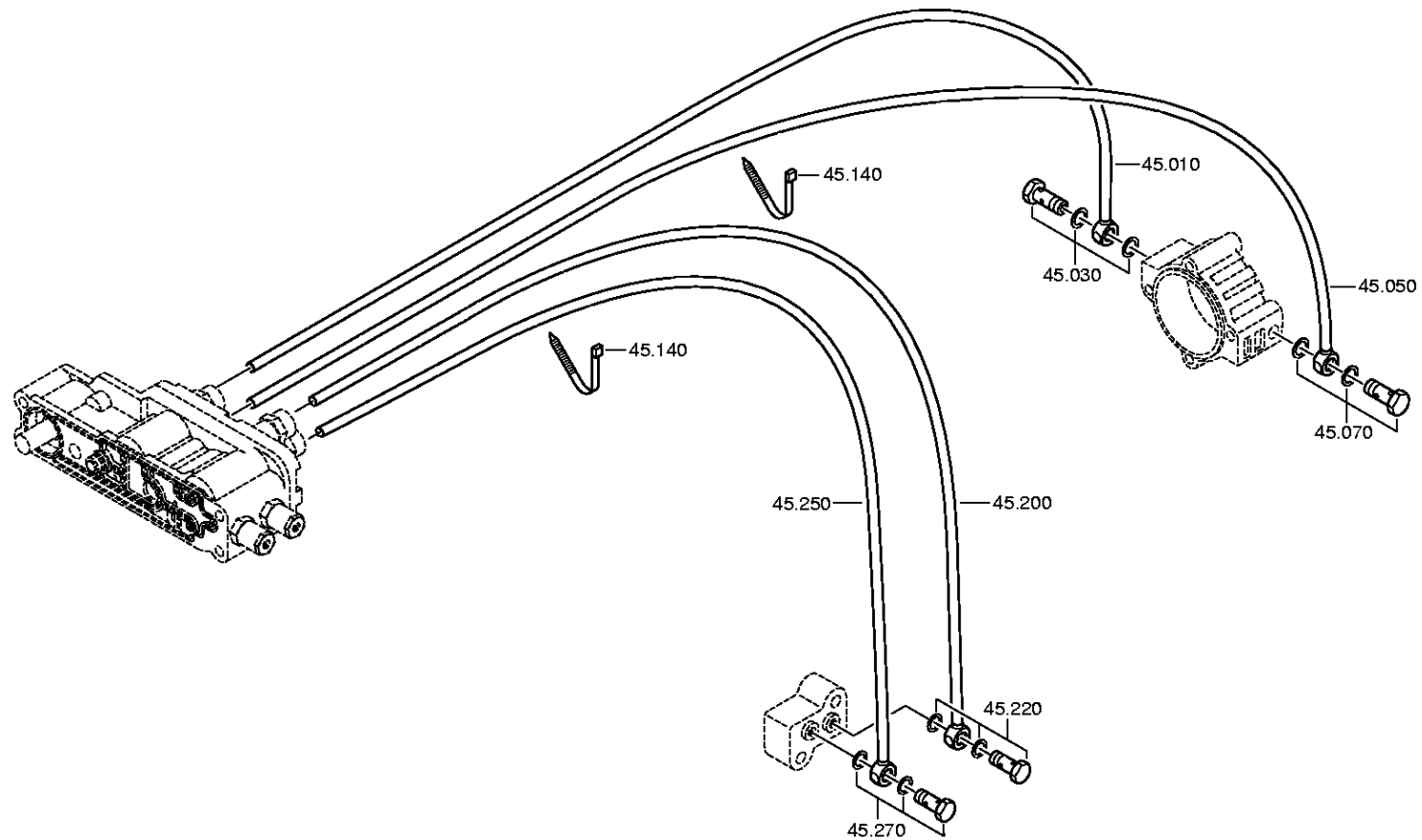
Material number: 1342.002.015

Plant: 068.57.12-1

Material-assembly-group-no: 1316.145.012



16 S 2220 TO /
RANGE SELECTION



Plant

Page 1 from 1

Material number: 1342.002.015

Plant: 068.93.95-1

Material-assembly-group-no: 1315.168.019



16 S 2220 TO /
CLUTCH RELEASE DEVICE

