



Spare Parts Catalog

16 S 2525 TO

Material number: 1343.031.035

Current date: 08.05.2021

ZF Friedrichshafen AG
Hauptverwaltung
80038 Friedrichshafen
Deutschland

Telefon: +49 7541 77-0

Telefax: +49 7541 77-908000

www.zf.com

zuständiges Werk:
Friedrichshafen

Notes relating to the spare parts catalog

Setup of the spare parts catalog

- Cover sheet
- Technical Cover (only in SDM print)
- Overview of figures
- Figure
- Associated parts list
- Next figure
- Associated parts list
- ...

Figure and parts list



Overview of figures

Bildtafel Figure	Sachnummer Product number	Benennung (Description)	Technische Info Technical info	Description (Benennung)	Menge Quantity	Einheit Unit
068.08.17	1316.170.001	AUSLEGER	WL	SHIFT TURRET	1	Stk
068.08.06	1316.170.031	DECKEL	WL*H-H *VM	COVER	1	Stk
068.08.14	1316.170.808	DECKEL	WL*AUSL+GEH*H-H*HF160N	COVER	1	Stk
08	1316.170.441	ANSCHLUSSTEILE	WL*NG-VORB*RG-SCHL*168N *BAJONETT	CONNECTING PARTS	1	Stk

The "gap" indicates that there is no separate graphics panel (poster) for this assembly
The parts of this assembly are shown with the same mid-section number on the figure

1 Positions and subpositions

Pos.	Sachnummer Product number	Benennung (Description)	Technische Info Technical info	Description (Benennung)	Menge Quantity	Einheit Unit
0370	1315.201.054	RUECKLAUFBOLZEN	KPL.16S151*SG*L= 79	REV.IDLER SHAFT	1	Stk
/0120	0631.329.293	SPANNSTIFT		SLOT. PIN	1	Stk

Positions marked with "/" are the individual items of a completion
For example: Position 0370 contains a centering pin with the position /0120

2 Combinations with standardized parts

Pos.	Sachnummer Product number	Benennung (Description)	Technische Info Technical info	Description (Benennung)	Menge Quantity	Einheit Unit
0630		VERSCHL.SCHR.		SCREW PLUG	1	Stk
	0636.302.067	VERSCHL.SCHR.		SCREW PLUG	1	Stk
	0634.801.249	DICHTRING	A 26 X 31	SEALING RING	1	Stk

The parts list shows the components included in the combination of standardized parts

3 Depiction of position/item number on the figure and in the parts list

01.620 - on the figure 01 relates to the assembly in which the position is included. Due to program-related reasons, it is shown on the figure.

0620 - in the parts list

Pos.	Sachnummer Product number	Benennung (Description)	Technische Info Technical info	Description (Benennung)	Menge Quantity	Einheit Unit
0620	0732.040.736	DRUCKFEDER		COMPRESSION SPRING	1	Stk

4 *-Positions

Positions marked with an * are optional i.e. inclusion in the parts list is not mandatory.
The following note is shown on the figure

je nach Stücklistenausführung
depending on spec. number
*
suivant la nomenclature
secondo la distinta base

5 Parts, dotted display

Parts with dotted display on the figure are only used for orientation of other parts

Assembly group overview

Page 1 from 1

Material number: 1343.031.035



16 S 2525 TO /

Picture	Pos.	Material number	Name	Quantity	Amend. no.	Techn. Info.
	910	1343.002.089	16 S 2520 TO	1		
	926	6091.016.012	N 221/PL	1		

Assembly group overview

Page 1 from 2



Material number: 1343.002.089

16 S 2525 TO /

Picture	Pos.	Material number	Name	Quantity	Amend. no.	Techn. Info.
068.01.05-1	110	1316.101.103	TRANSMISSION HOUSING	1		
068.01.51-1	120	1316.101.955	TRANSMISSION HOUSING	1		
068.02.59-1	140	1315.102.429	CONNECTION PLATE	1		
068.02.82-1	150	1315.102.811	INPUT SHAFT	1		
068.02.02-1	910	1316.102.106	INPUT SHAFT	1		
068.03.80-1	180	1316.103.803	COUNTERSHAFT	1		
068.03.01-1	920	1316.103.013	COUNTERSHAFT	1		
068.04.12-1	10	1316.104.103	MAIN SHAFT	1		
068.004.026-1	20	1316.104.077	MAIN SHAFT	1		
068.06.01-1	230	1316.106.008	SHIFT SYSTEM	1		
068.06.43-1	234	1315.106.422	CONNECTING PARTS	1		
068.06.80-1	238	1315.106.800	SHIFT SYSTEM	1		
068.07.90-1	292	1316.108.817	GEAR SHIFT HOUSING	1		
068.07.36-1	910	1316.108.047	GEAR SHIFT HOUSING	1		
068.07.78-1	914	1316.108.464	GEARSHIFT SHAFT	1		
068.07.107-1	924	1316.108.095	DETENT	1		
068.07.57-1	930	1316.108.811	COVER	1		
068.08.37-1	954	1341.171.405	END COVER	1		
068.09.01-1	934	1316.109.024	CONNECTING PARTS	1		
068.09.11-1	940	1316.109.419	CONNECTING PARTS	1		
068.12.16-1	918	1316.149.462	SET OF SPRINGS	1		
068.40.04-1	500	1316.112.014	GV-SHIFT SYSTEM	1		
068.40.41-1	502	1315.112.410	CONNECTING PARTS	1		
068.43.02-1	20	1315.131.036	RC HOUSING	1		
068.43.40-1	30	1315.131.400	CLOSING COMPONENTS	1		
068.43.80-1	512	1315.131.805	RC HOUSING	1		
068.43.43-1	516	1315.131.439	CONNECTING PARTS	1		
068.44.09-1	40	1316.132.015	PLANETARY DRIVE	1		
068.45.04-1	70	1316.133.008	SYNCHRONIZER	1		
068.45.40-1	80	1315.133.406	SYNCHRONIZER	1		
068.46.02-1	90	1316.134.021	GP SHIFT SYSTEM	1		

Assembly group overview

Page 2 from 2



Material number: 1343.002.089

16 S 2525 TO /

Picture	Pos.	Material number	Name	Quantity	Amend. no.	Techn. Info.
068.46.40-1	554	1315.134.412	CONNECTING PARTS	1		
068.57.04-1	390	1316.145.002	RANGE SELECTION	1		
068.93.95-1	130	1315.168.019	CLUTCH RELEASE DEVICE	1		
068.93.63-1	132	1315.168.412	CLUTCH RELEASE DEVICE	1		

Picture

Page 1 from 2

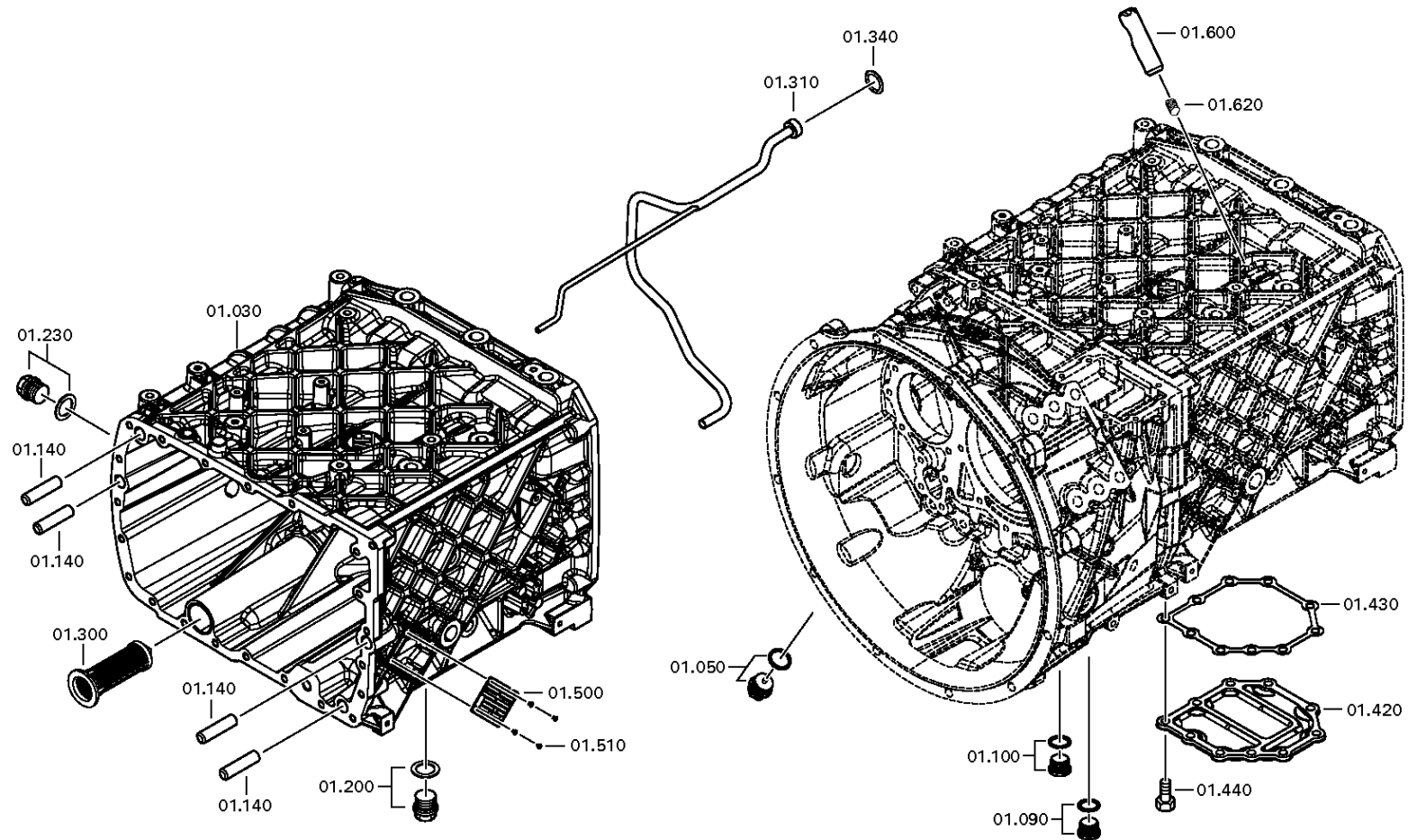
Material number: 1343.002.089

Picture: 068.01.05-1

TRANSMISSION HOUSING



16 S 2525 TO /
TRANSMISSION HOUSING



Picture

Page 2 from 2

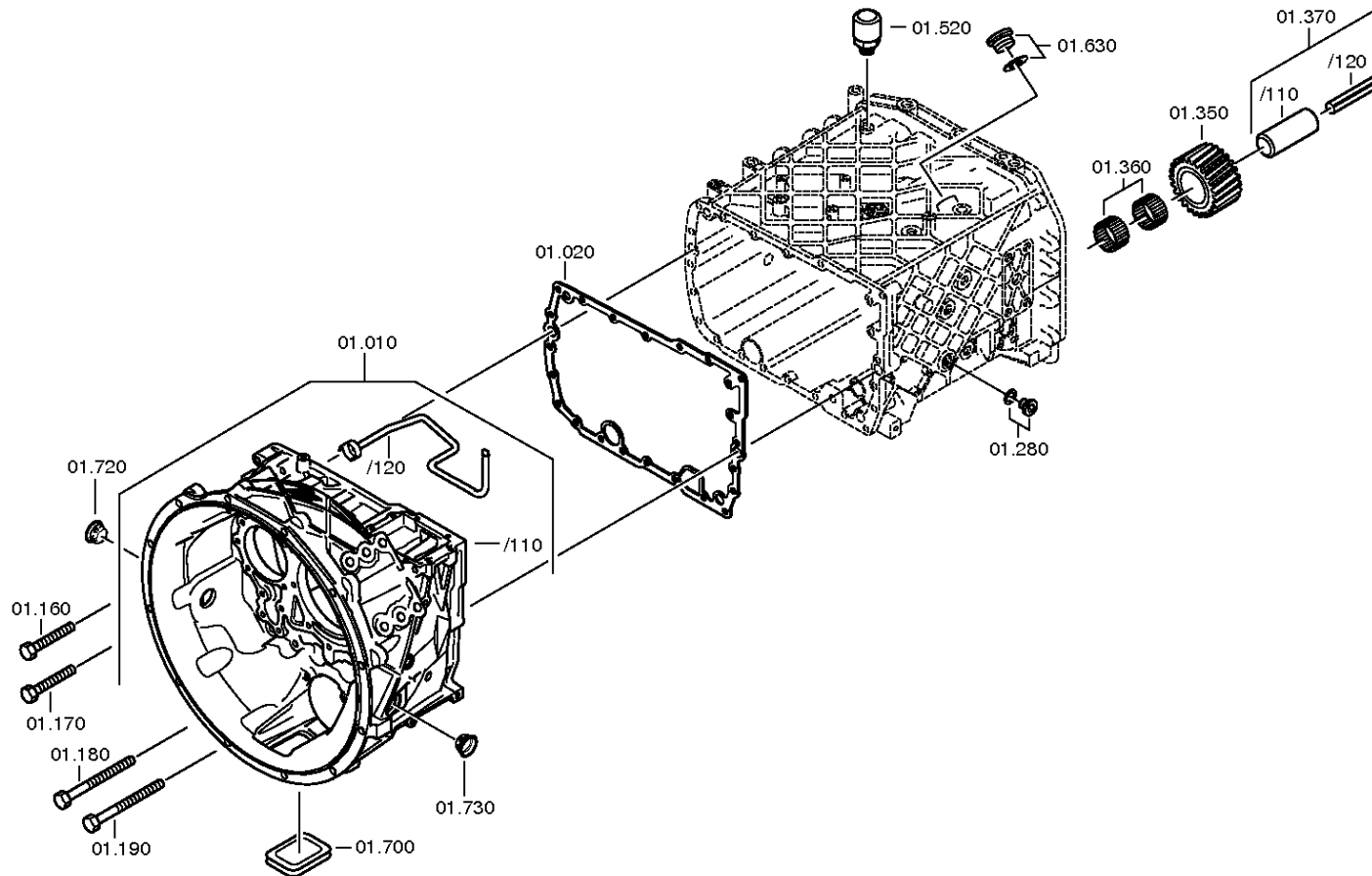
Material number: 1343.002.089

Picture: 068.01.51-1

TRANSMISSION HOUSING



16 S 2525 TO /
TRANSMISSION HOUSING



Picture

Page 1 from 3

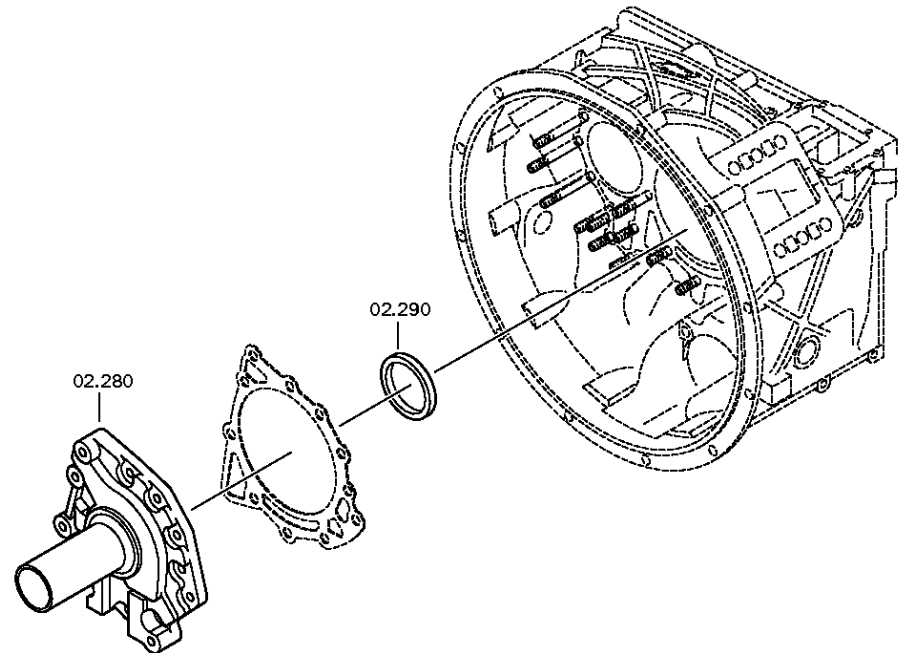
Material number: 1343.002.089

Picture: 068.02.59-1

CONNECTION PLATE



16 S 2525 TO /
CONNECTION PLATE



Picture

Page 2 from 3

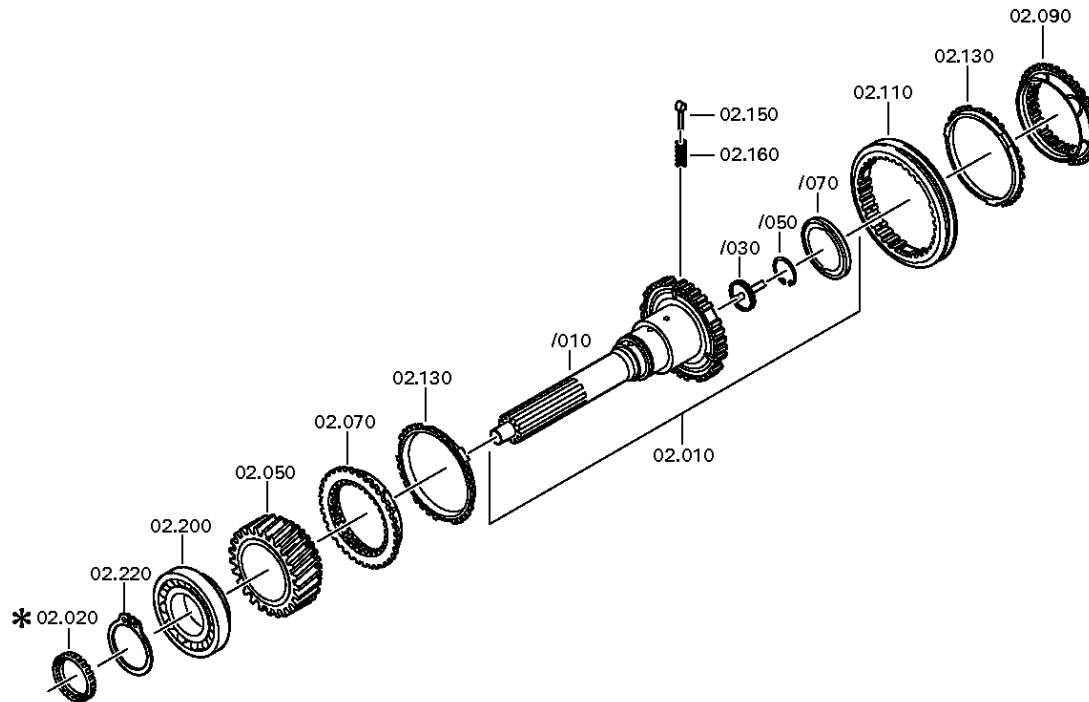
Material number: 1343.002.089

Picture: 068.02.02-1

CONNECTION PLATE



16 S 2525 TO /
CONNECTION PLATE



Picture

Page 3 from 3

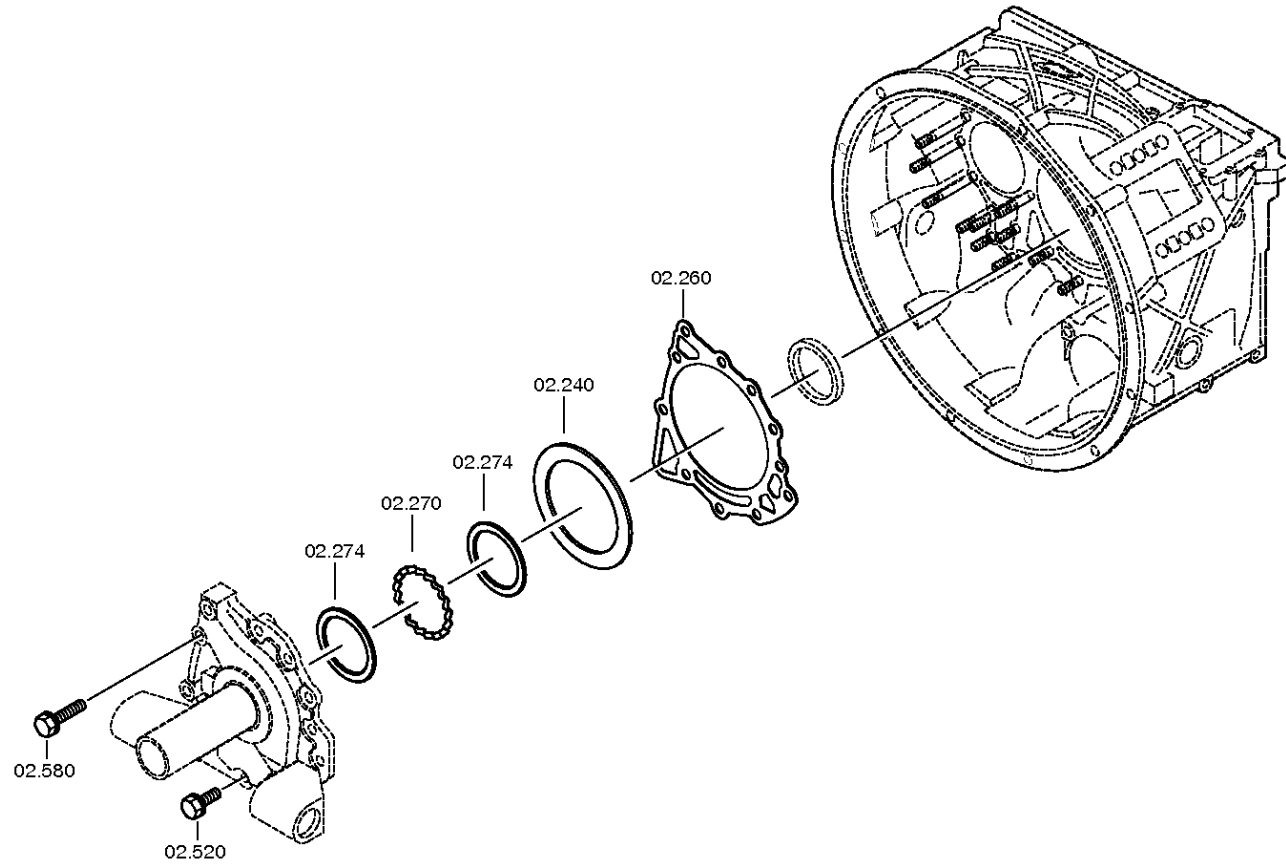
Material number: 1343.002.089

Picture: 068.02.82-1

CONNECTION PLATE



16 S 2525 TO /
CONNECTION PLATE



Picture

Page 1 from 2

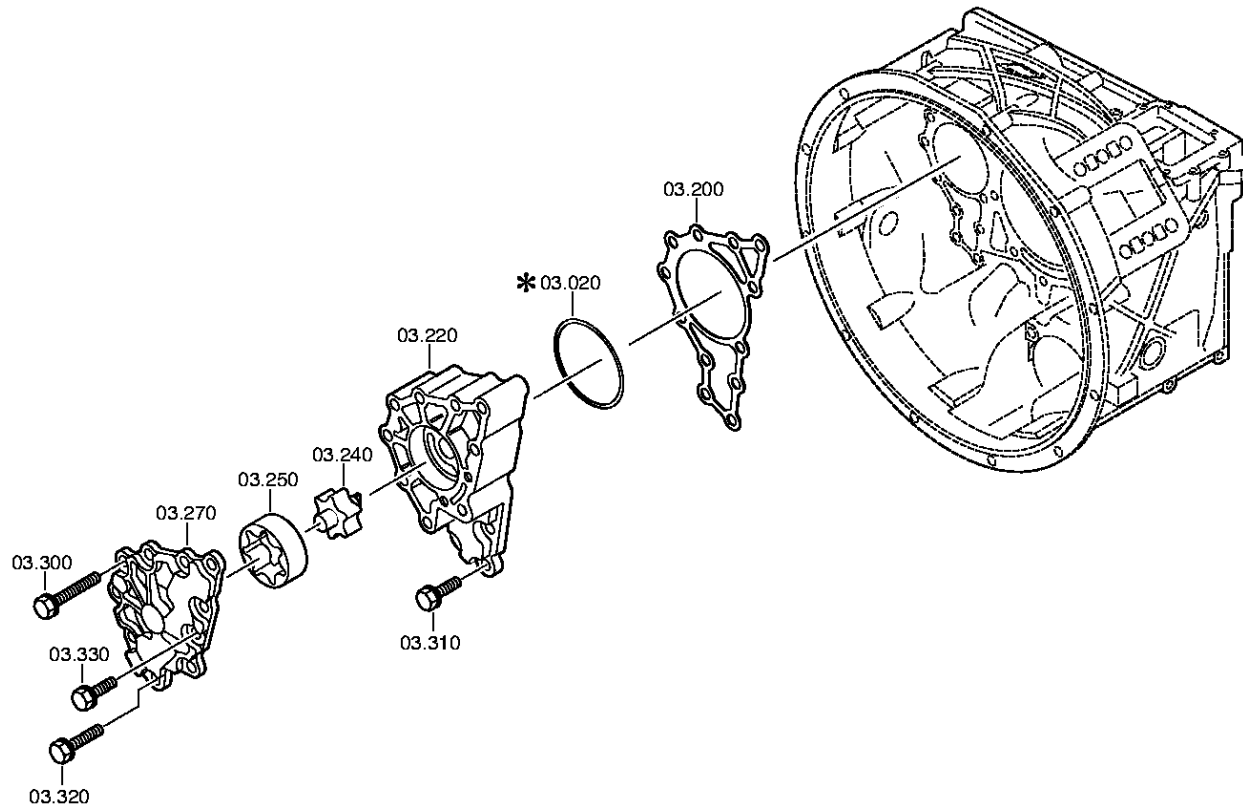
Material number: 1343.002.089

Picture: 068.03.80-1

COUNTERSHAFT



16 S 2525 TO /
COUNTERSHAFT



Picture

Page 2 from 2

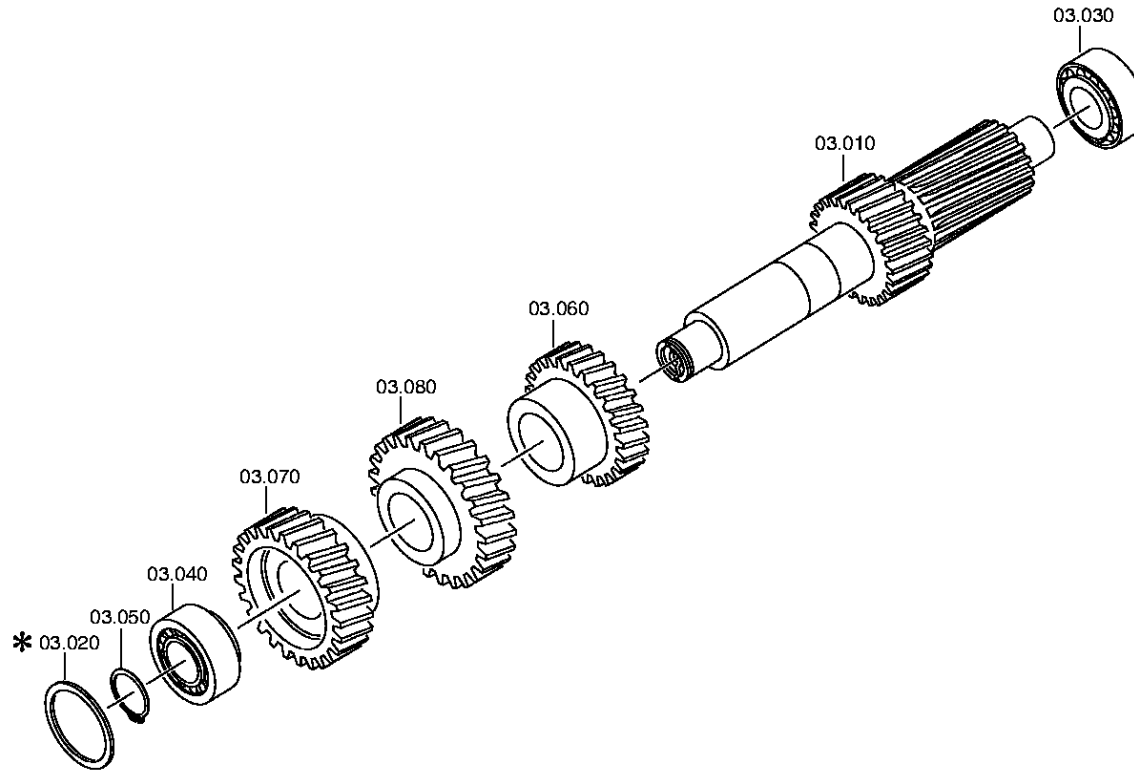
Material number: 1343.002.089

Picture: 068.03.01-1

COUNTERSHAFT



16 S 2525 TO /
COUNTERSHAFT



Picture

Page 1 from 1

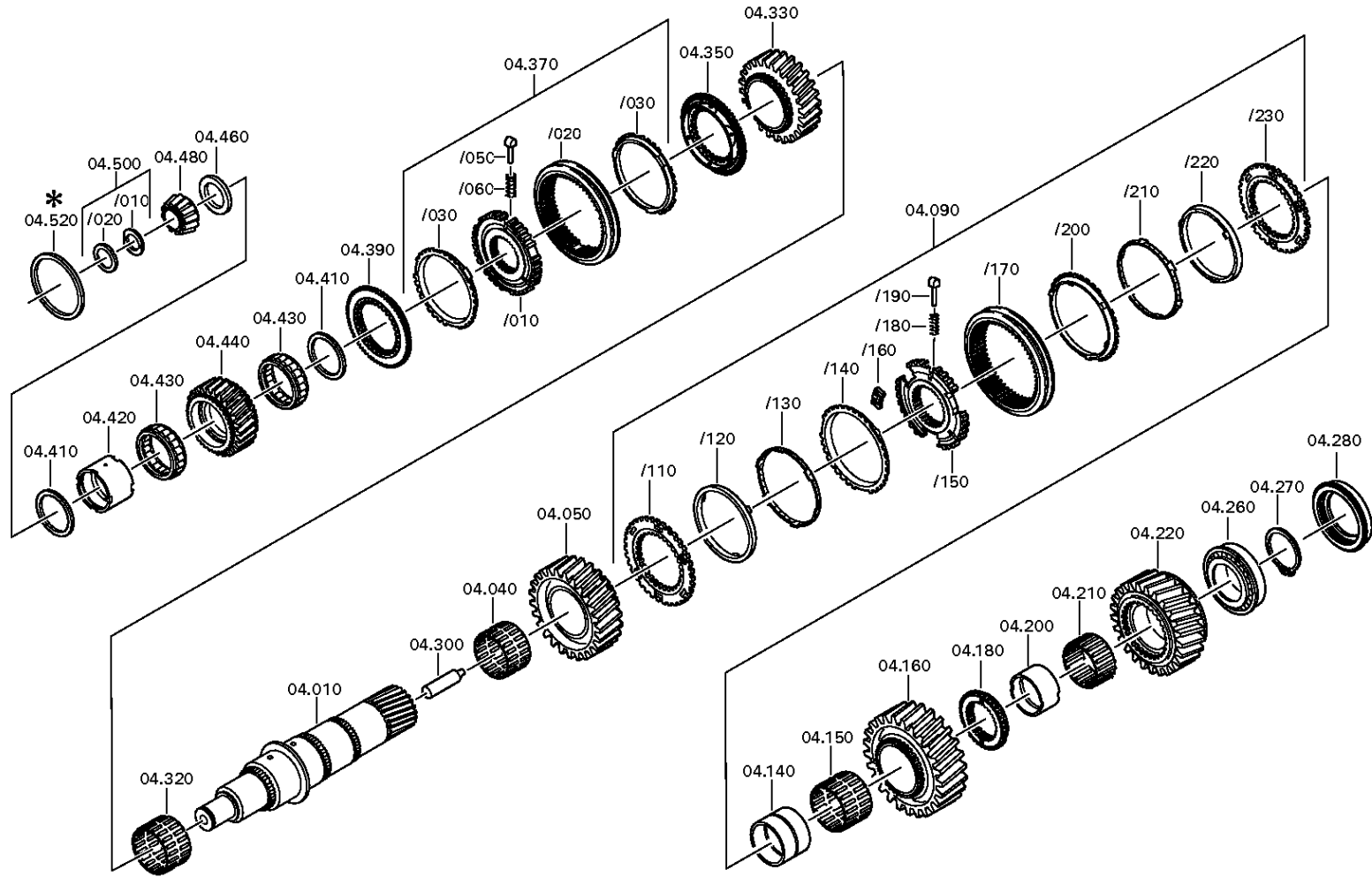
Material number: 1343.002.089

Picture: 068.04.12-1

Material-assembly-group-no: 1316.104.103



16 S 2525 TO /
MAIN SHAFT



Picture

Page 1 from 1

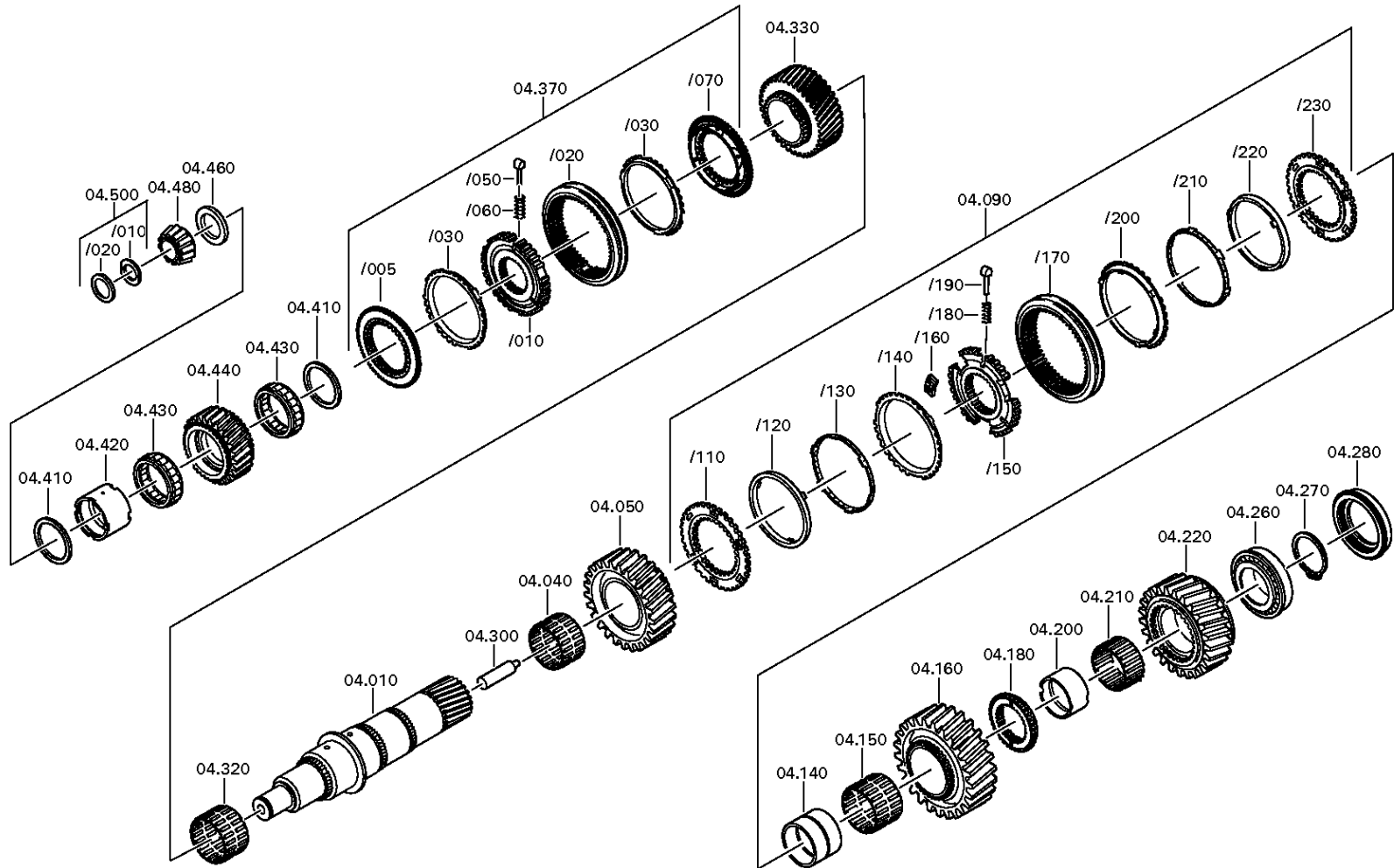
Material number: 1343.002.089

Picture: 068.004.026-1

Material-assembly-group-no: 1316.104.077



16 S 2525 TO /
MAIN SHAFT



Picture

Page 1 from 3

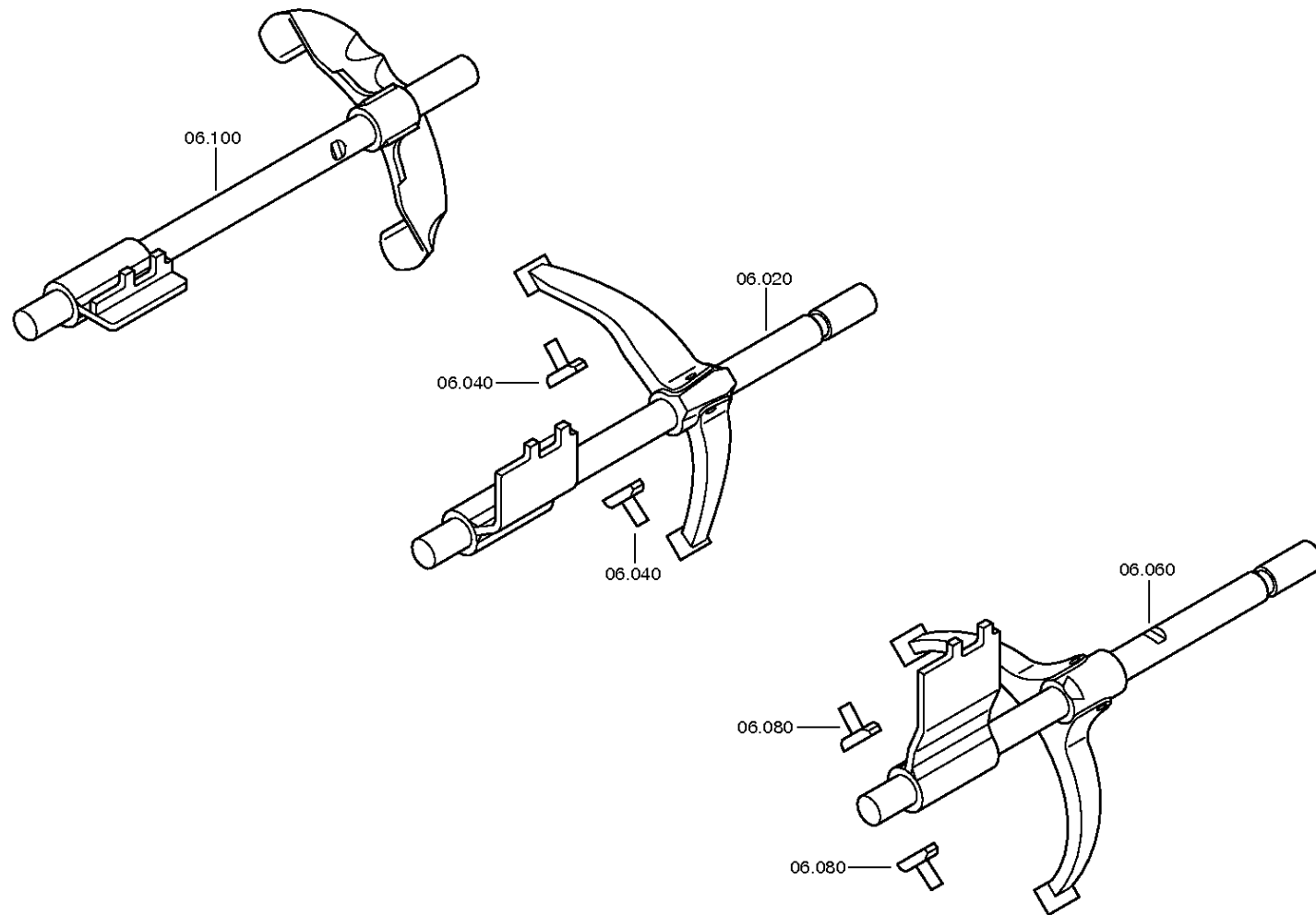
Material number: 1343.002.089

Picture: 068.06.01-1

SHIFT SYSTEM



16 S 2525 TO /
SHIFT SYSTEM



Picture

Page 2 from 3

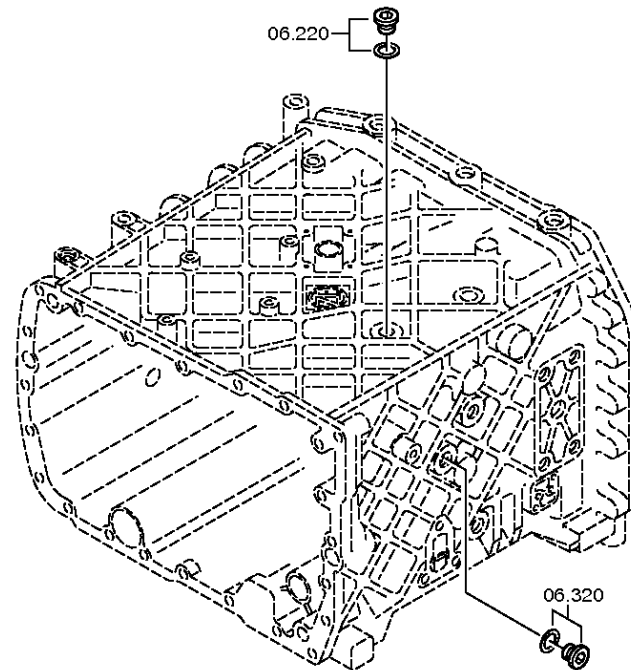
Material number: 1343.002.089

Picture: 068.06.43-1

SHIFT SYSTEM



16 S 2525 TO /
SHIFT SYSTEM



Picture

Page 3 from 3

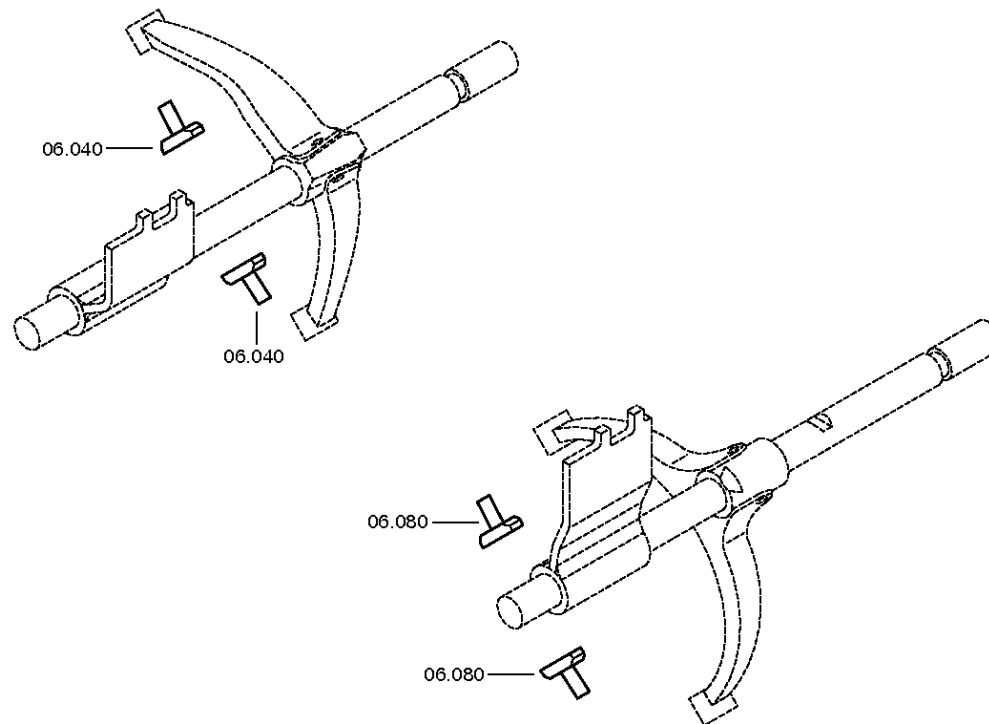
Material number: 1343.002.089

Picture: 068.06.80-1

SHIFT SYSTEM



16 S 2525 TO /
SHIFT SYSTEM



Picture

Page 1 from 5

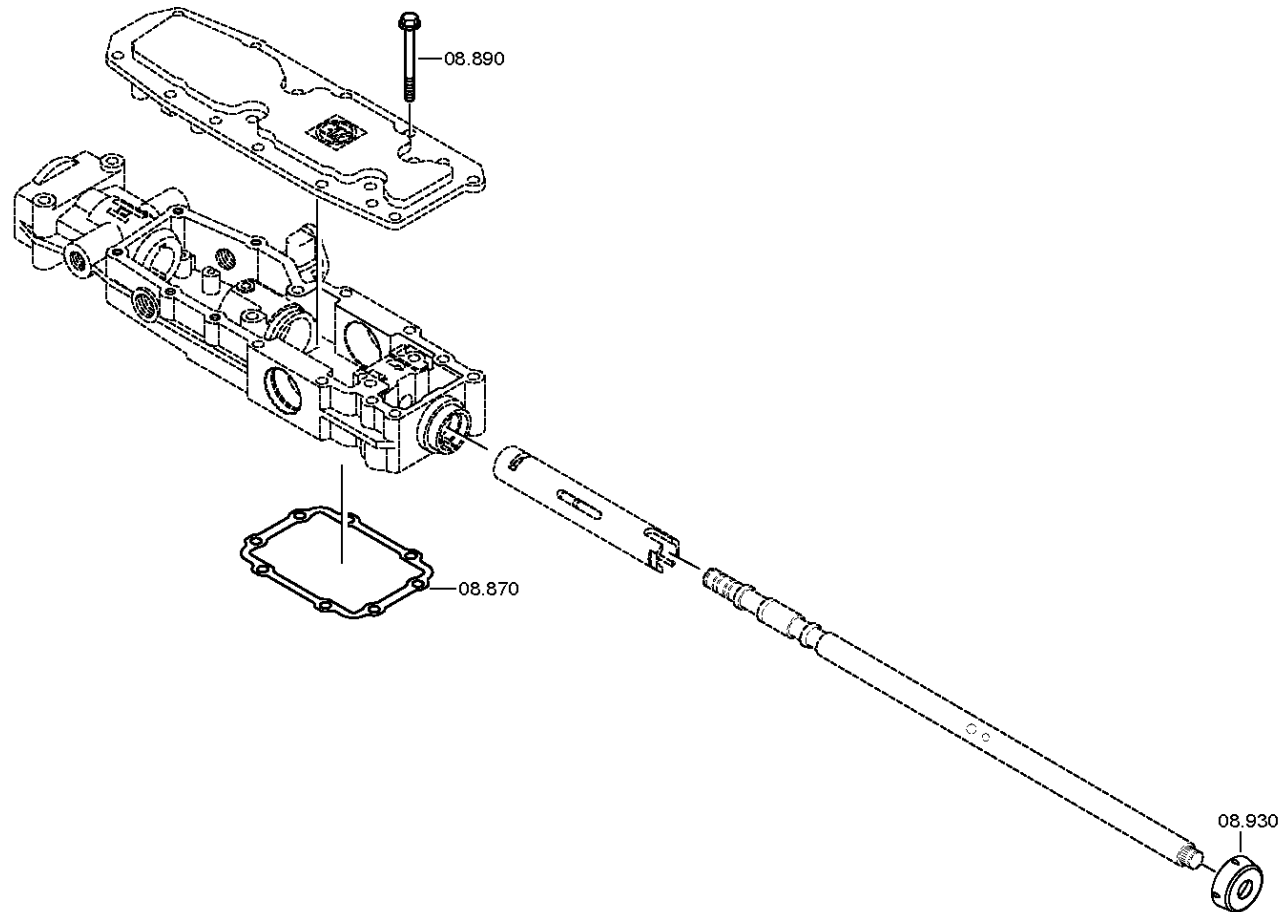
Material number: 1343.002.089

Picture: 068.07.90-1

GEAR SHIFT HOUSING



16 S 2525 TO /
GEAR SHIFT HOUSING



Picture

Page 2 from 5

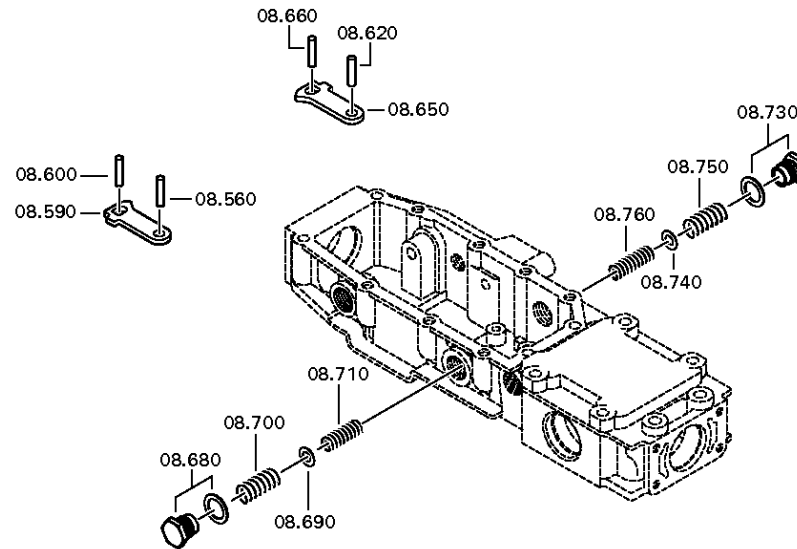
Material number: 1343.002.089

Picture: 068.07.107-1

GEAR SHIFT HOUSING



16 S 2525 TO /
GEAR SHIFT HOUSING



Picture

Page 3 from 5

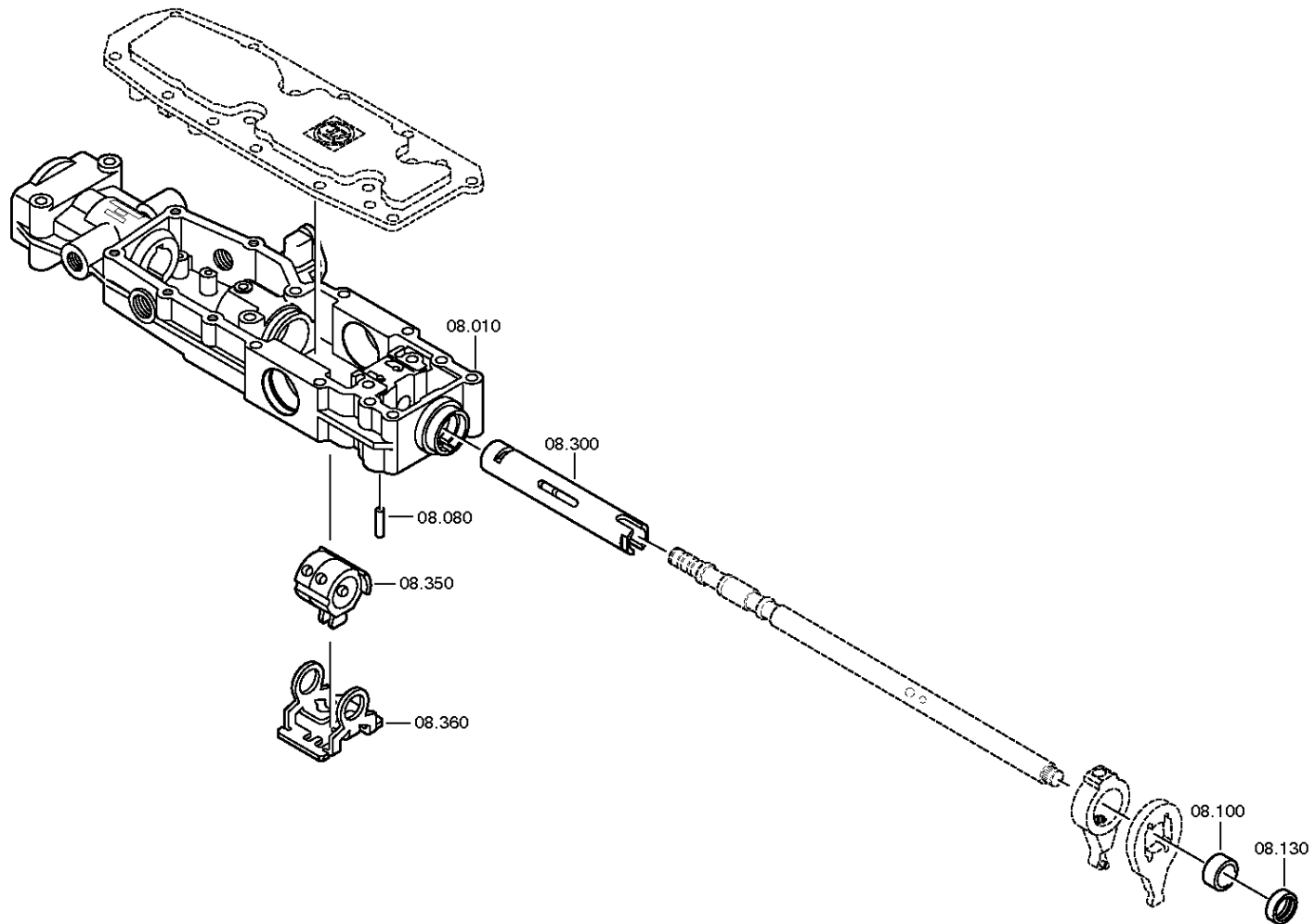
Material number: 1343.002.089

Picture: 068.07.36-1

GEAR SHIFT HOUSING



16 S 2525 TO /
GEAR SHIFT HOUSING



Picture

Page 4 from 5

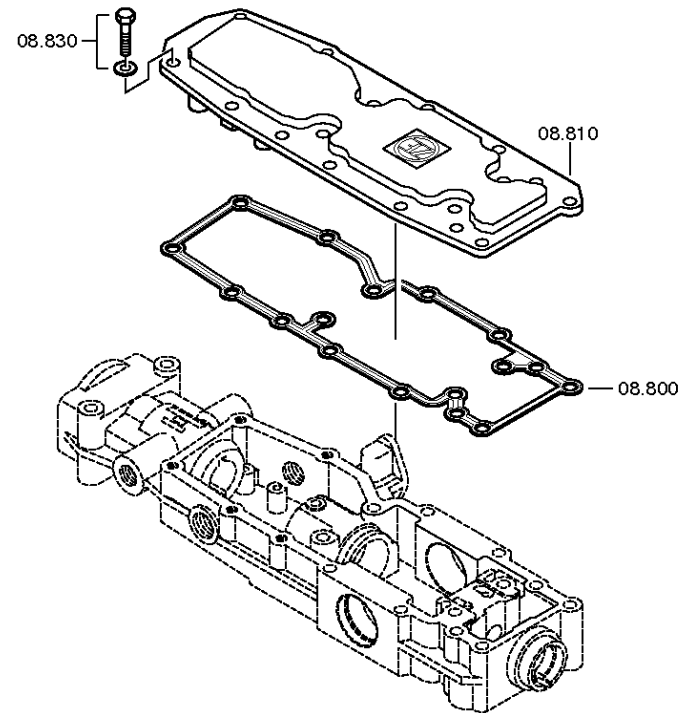
Material number: 1343.002.089

Picture: 068.07.57-1

GEAR SHIFT HOUSING



16 S 2525 TO /
GEAR SHIFT HOUSING



Picture

Page 5 from 5

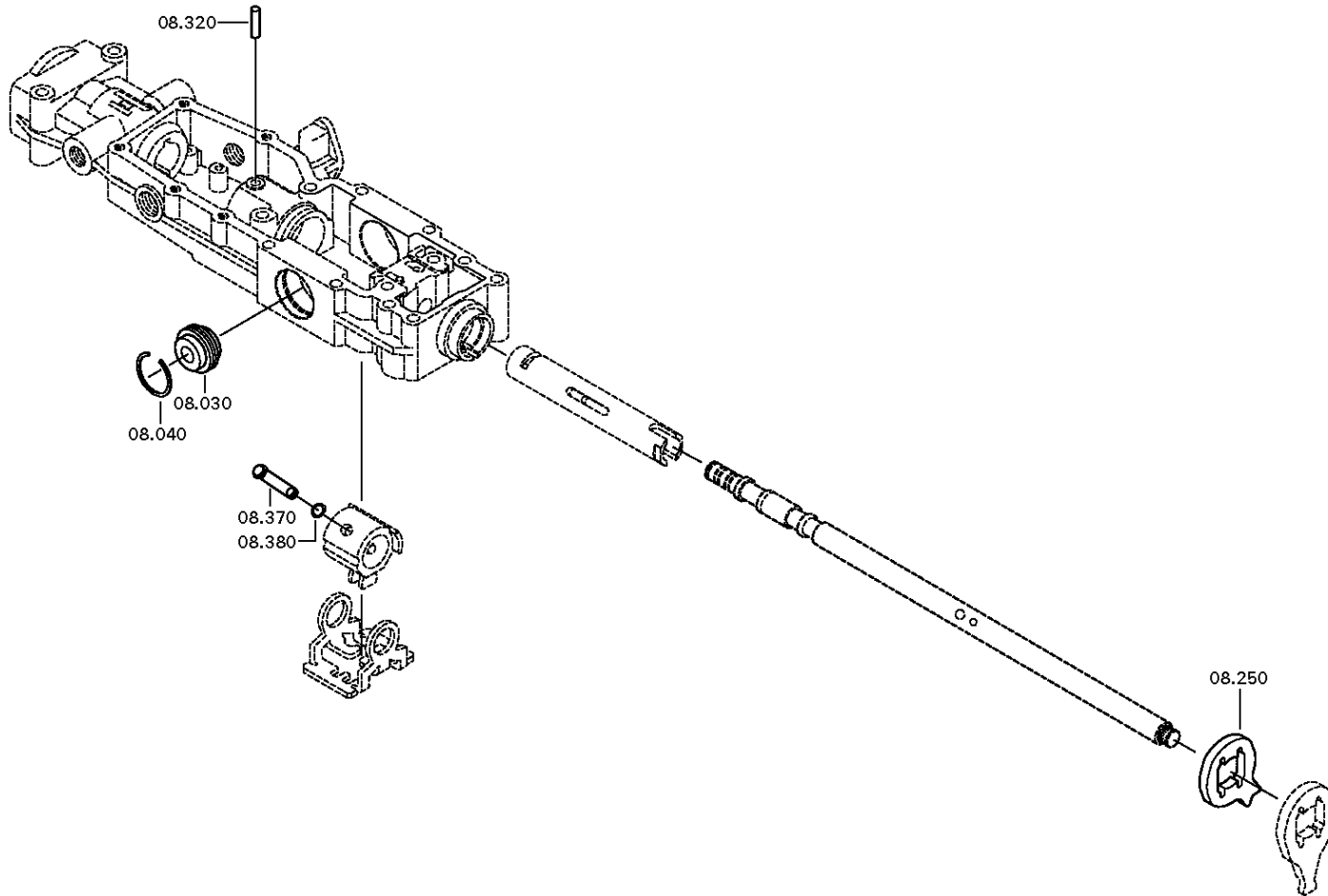
Material number: 1343.002.089

Picture: 068.07.78-1

GEAR SHIFT HOUSING



16 S 2525 TO /
GEAR SHIFT HOUSING



Picture

Page 1 from 1

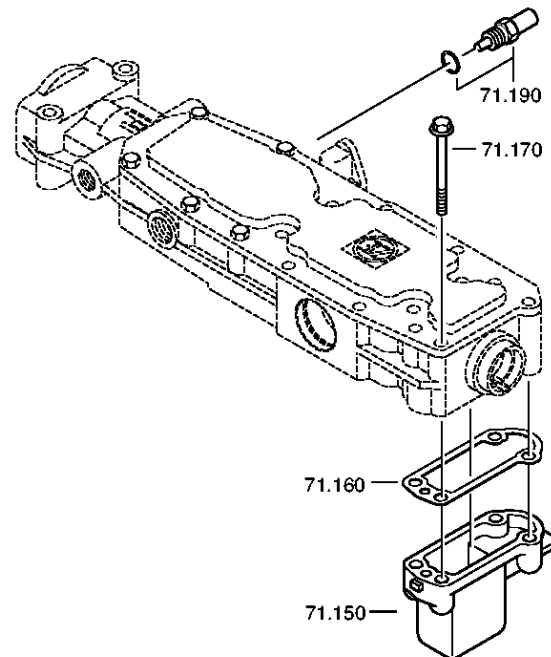
Material number: 1343.002.089

Picture: 068.08.37-1

Material-assembly-group-no: 1341.171.405



16 S 2525 TO /
END COVER



Picture

Page 1 from 2

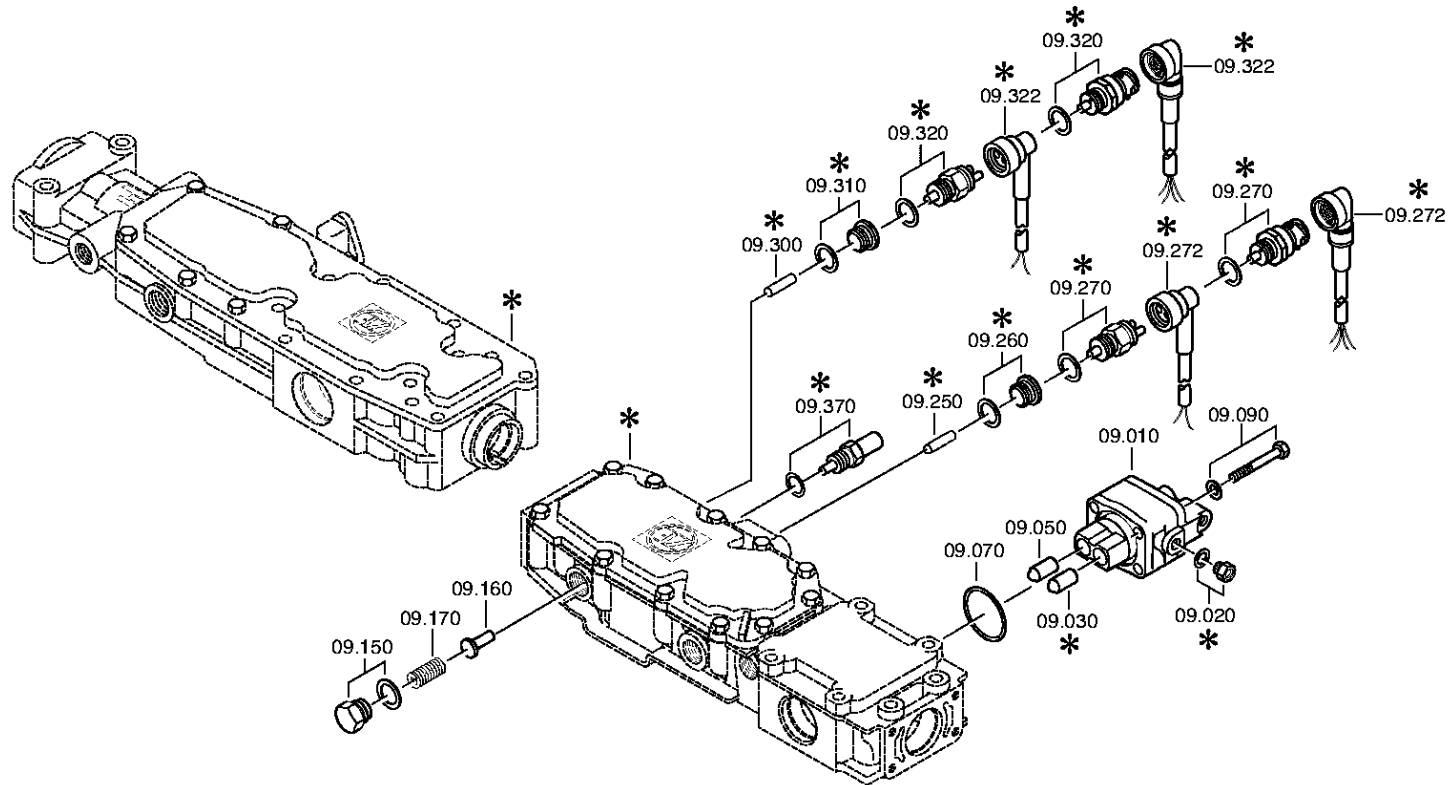
Material number: 1343.002.089

Picture: 068.09.01-1

CONNECTING PARTS



16 S 2525 TO /
CONNECTING PARTS



Picture

Page 2 from 2

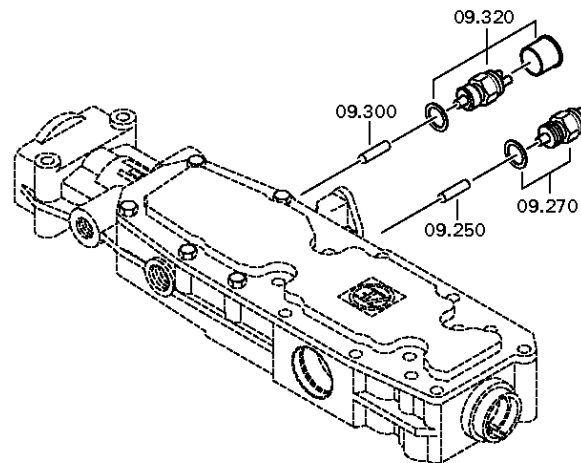
Material number: 1343.002.089

Picture: 068.09.11-1

CONNECTING PARTS



16 S 2525 TO /
CONNECTING PARTS



Picture

Page 1 from 1

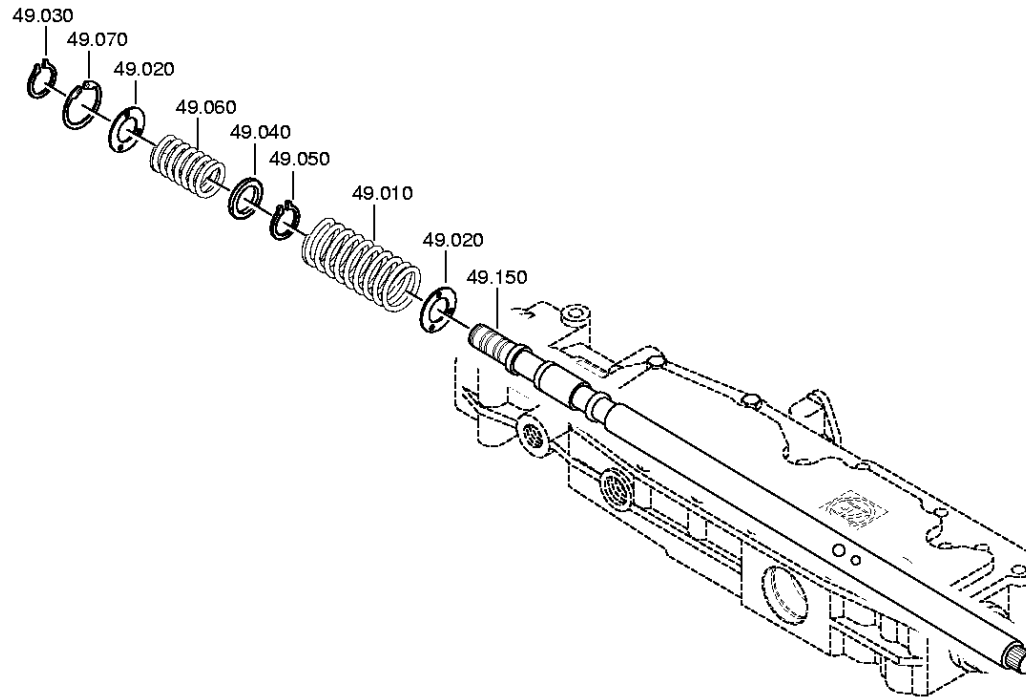
Material number: 1343.002.089

Picture: 068.12.16-1

Material-assembly-group-no: 1316.149.462



16 S 2525 TO /
SET OF SPRINGS



Picture

Page 1 from 2

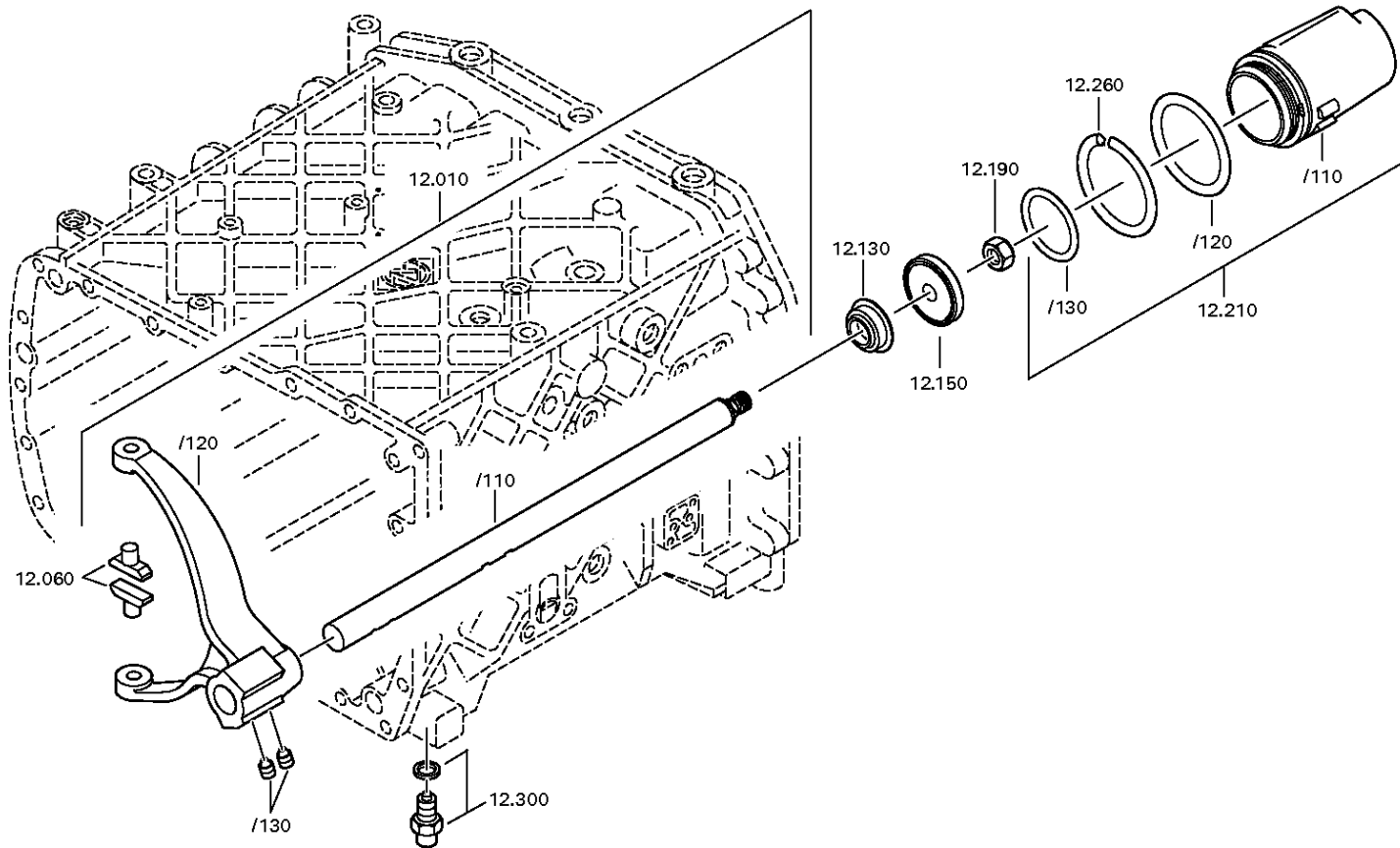
Material number: 1343.002.089

Picture: 068.40.04-1

GV-SHIFT SYSTEM



16 S 2525 TO /
GV-SHIFT SYSTEM



Picture

Page 2 from 2

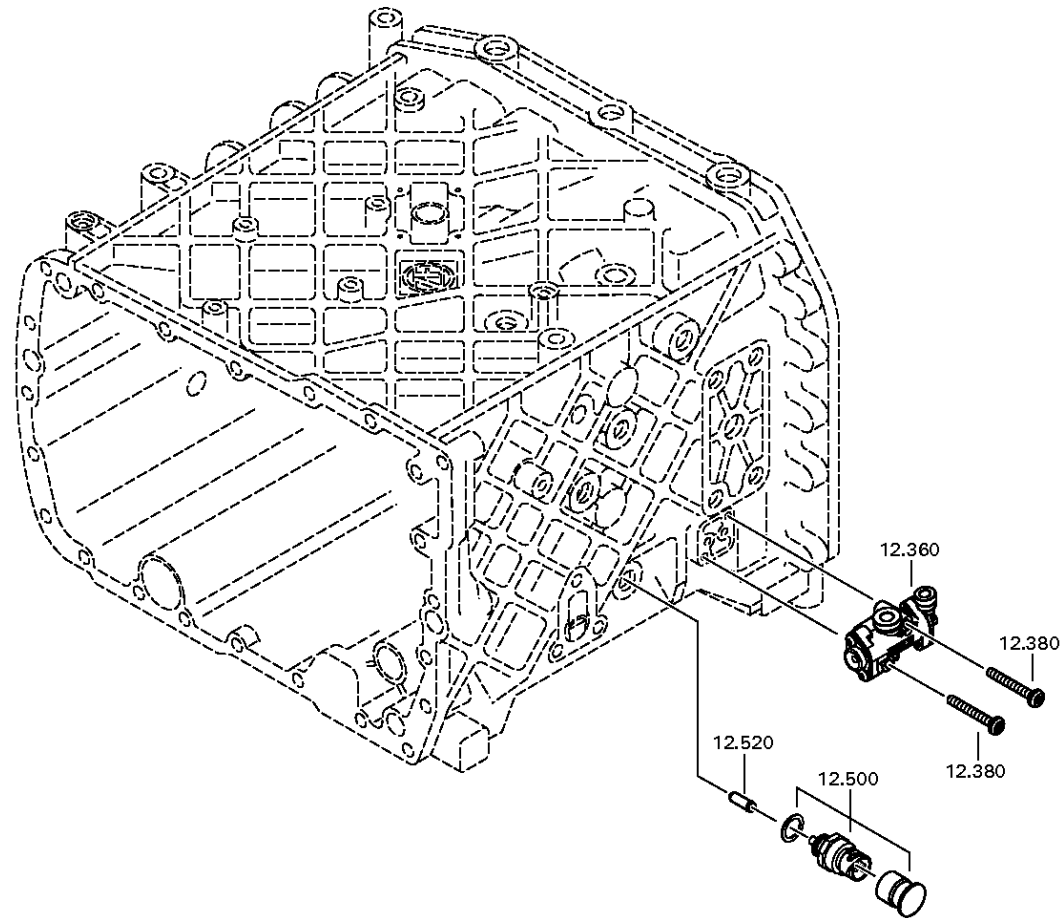
Material number: 1343.002.089

Picture: 068.40.41-1

GV-SHIFT SYSTEM



16 S 2525 TO /
GV-SHIFT SYSTEM



Picture

Page 1 from 4

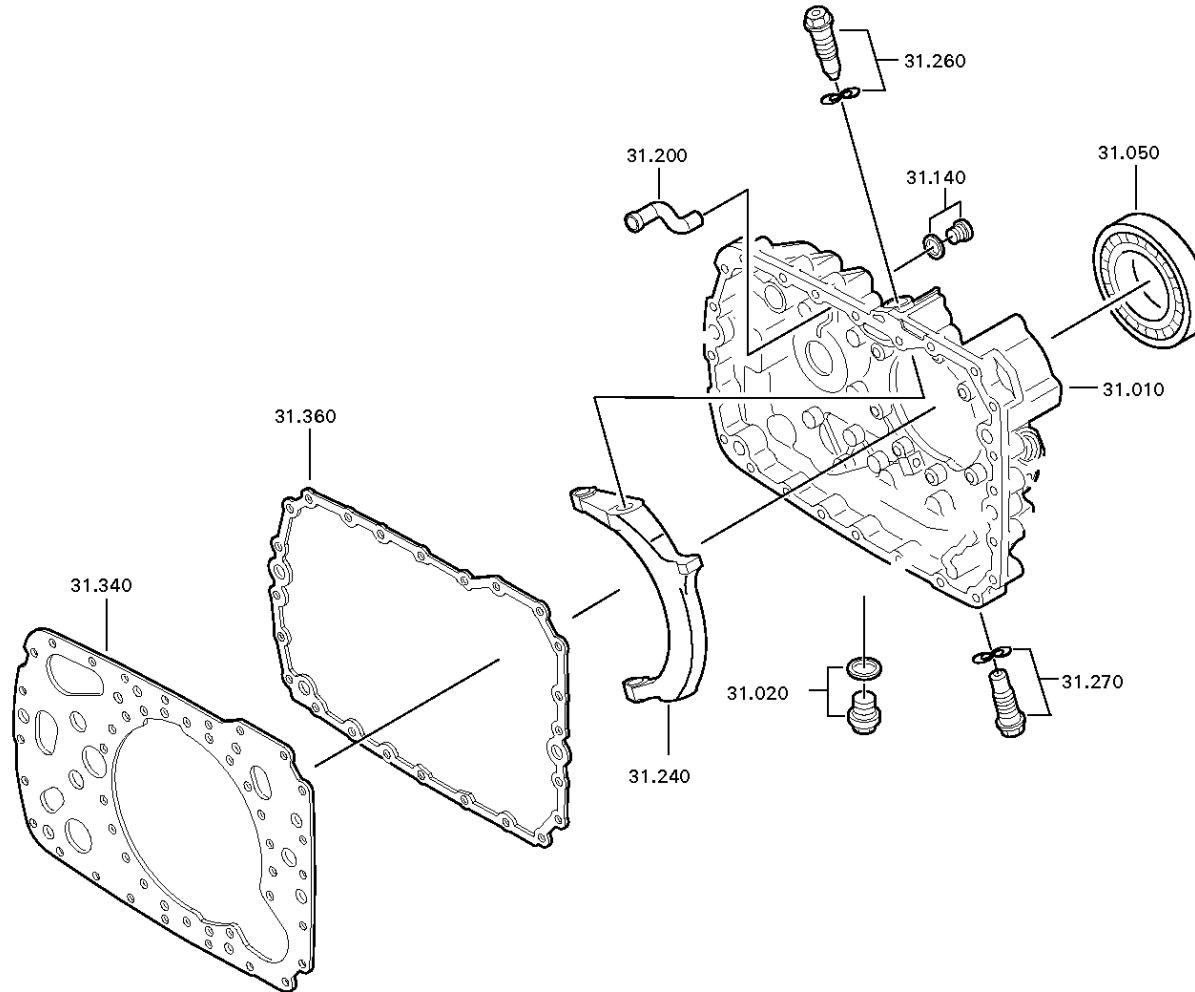
Material number: 1343.002.089

Picture: 068.43.02-1

RC HOUSING



16 S 2525 TO /
RC HOUSING



Picture

Page 2 from 4

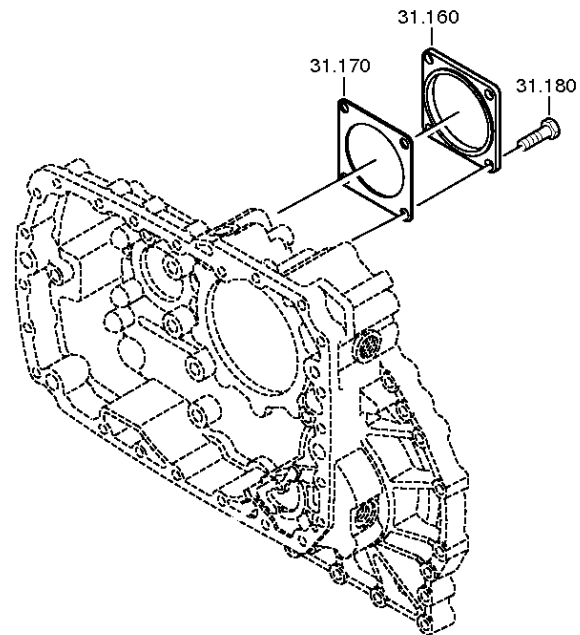
Material number: 1343.002.089

Picture: 068.43.40-1

RC HOUSING



16 S 2525 TO /
RC HOUSING



Picture

Page 3 from 4

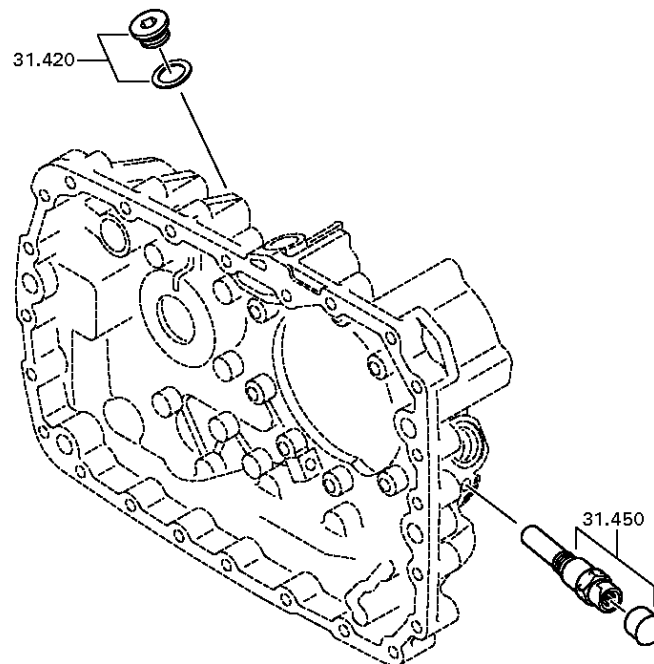
Material number: 1343.002.089

Picture: 068.43.43-1

RC HOUSING



16 S 2525 TO /
RC HOUSING



Picture

Page 4 from 4

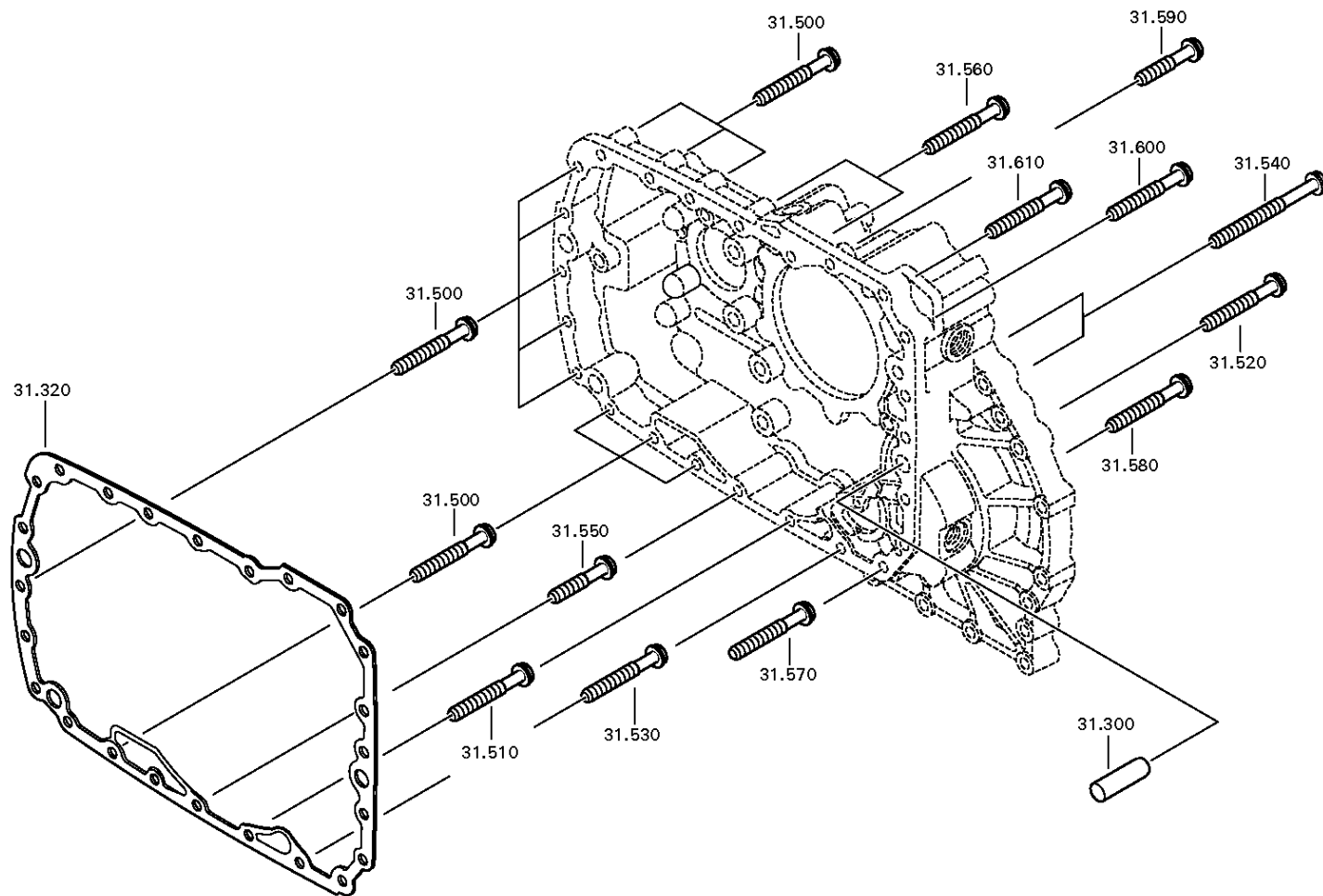
Material number: 1343.002.089

Picture: 068.43.80-1

RC HOUSING



16 S 2525 TO /
RC HOUSING



Picture

Page 1 from 1

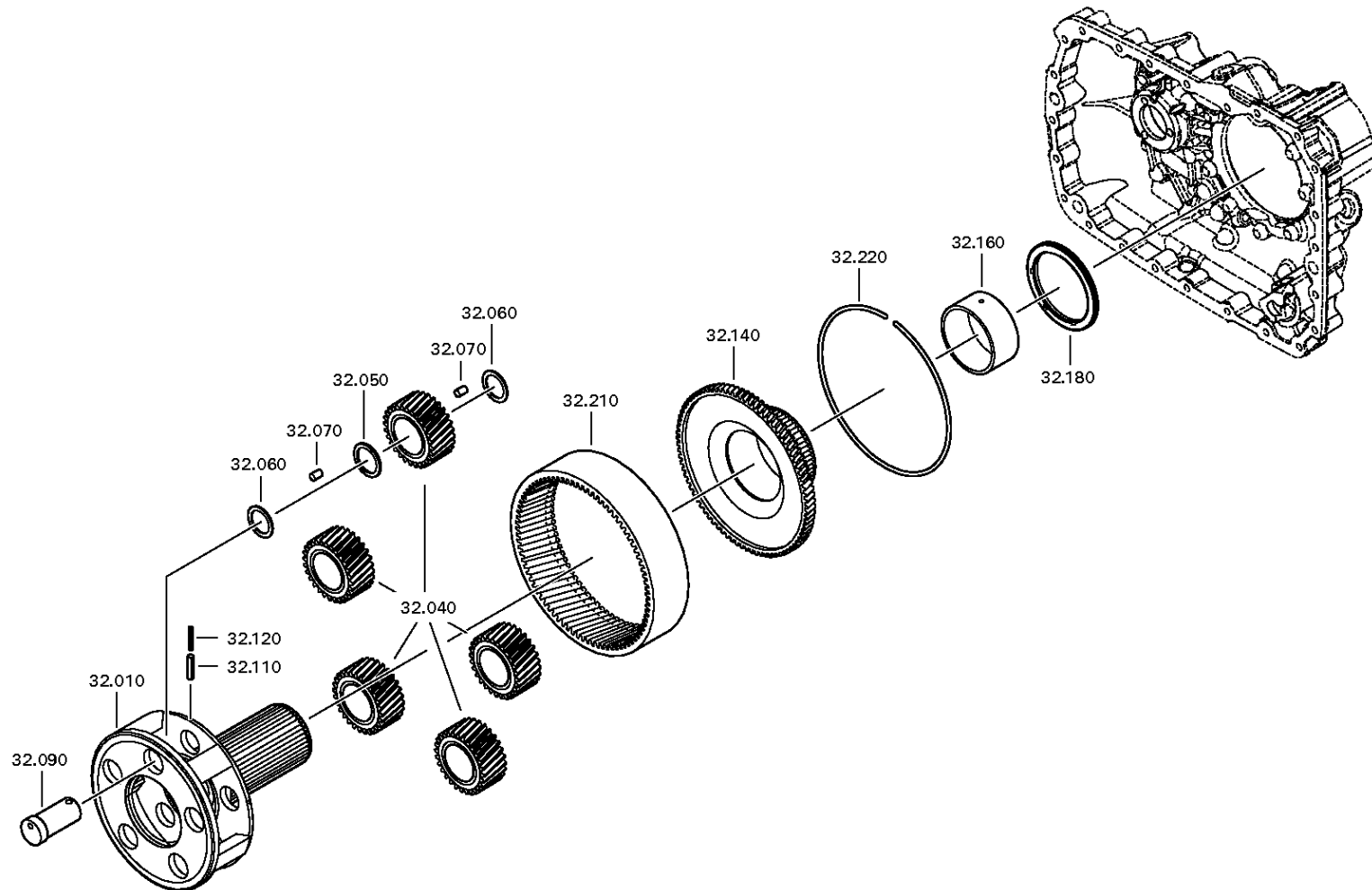
Material number: 1343.002.089

Picture: 068.44.09-1

Material-assembly-group-no: 1316.132.015



16 S 2525 TO /
PLANETARY DRIVE



Picture

Page 1 from 2

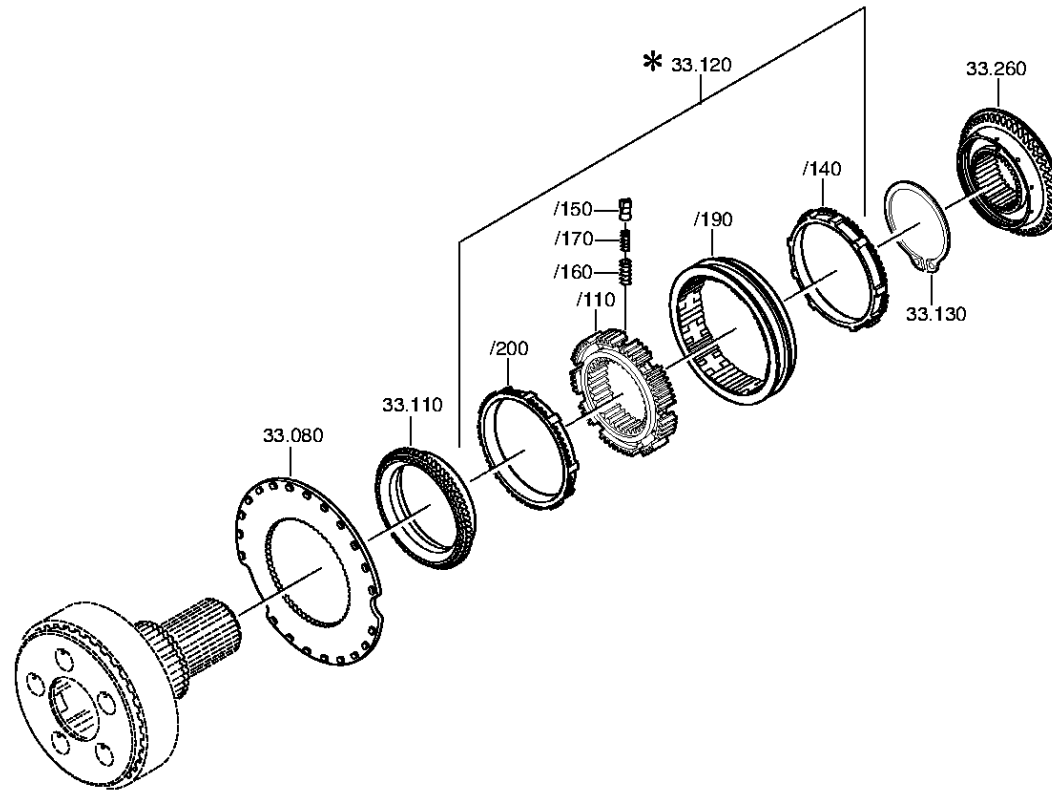
Material number: 1343.002.089

Picture: 068.45.04-1

SYNCHRONIZER



16 S 2525 TO /
SYNCHRONIZER



Picture

Page 2 from 2

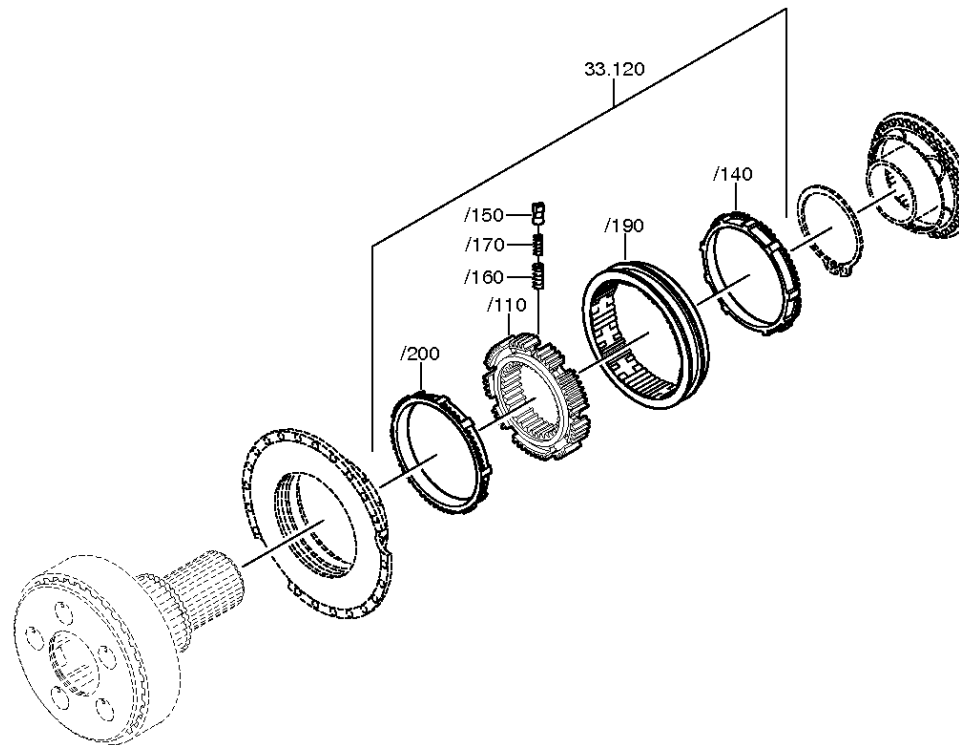
Material number: 1343.002.089

Picture: 068.45.40-1

SYNCHRONIZER



16 S 2525 TO /
SYNCHRONIZER



Picture

Page 1 from 2

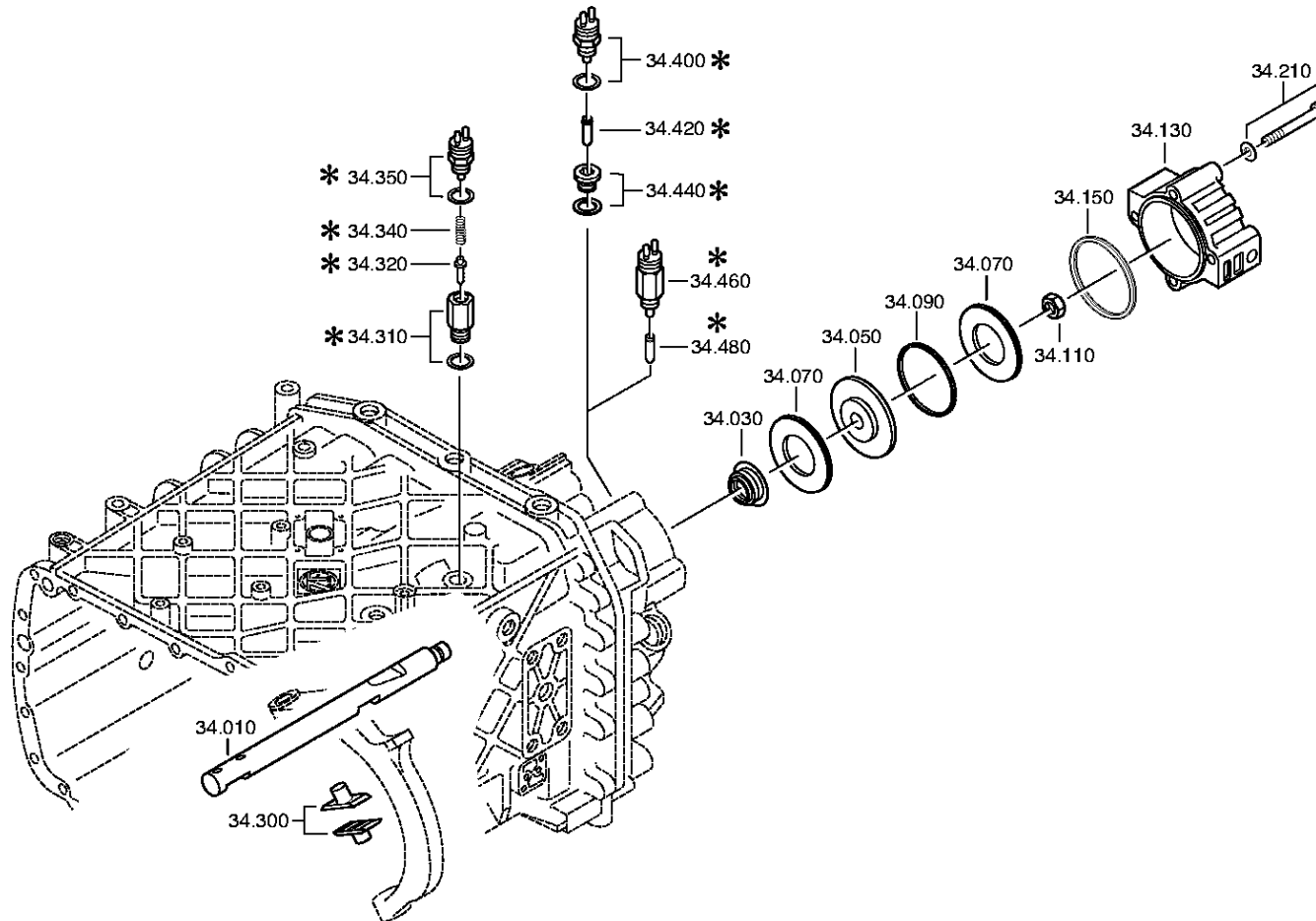
Material number: 1343.002.089

Picture: 068.46.02-1

GP SHIFT SYSTEM



16 S 2525 TO /
GP SHIFT SYSTEM



Picture

Page 2 from 2

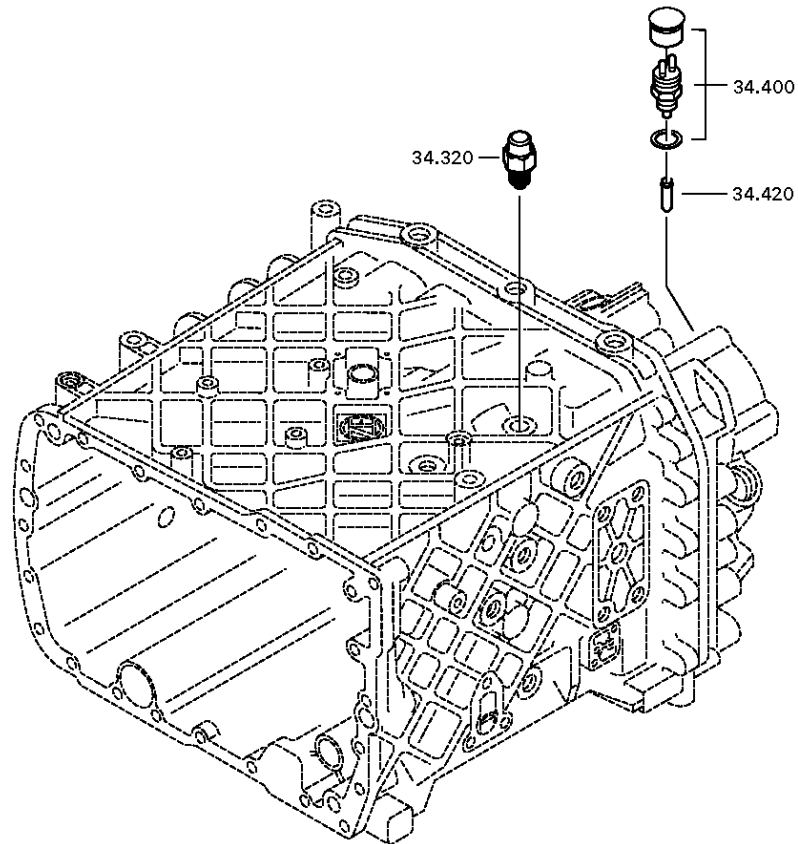
Material number: 1343.002.089

Picture: 068.46.40-1

GP SHIFT SYSTEM



16 S 2525 TO /
GP SHIFT SYSTEM



Picture

Page 1 from 1

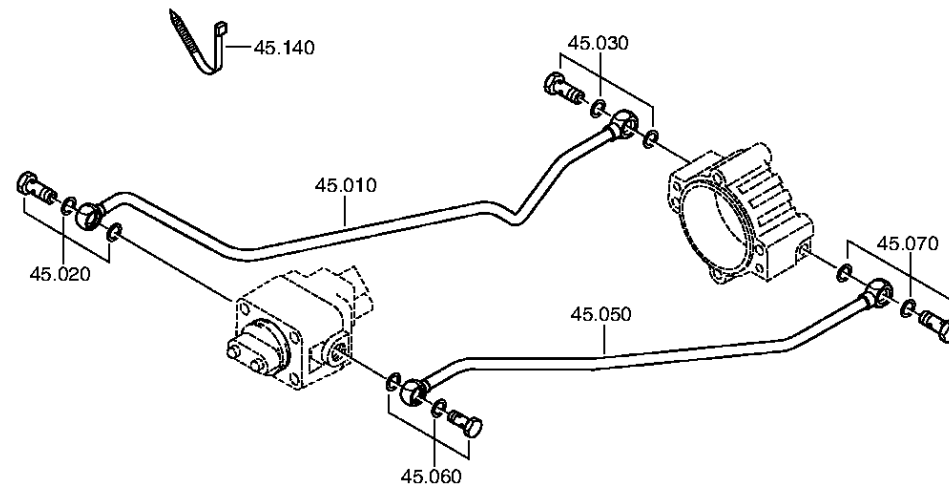
Material number: 1343.002.089

Picture: 068.57.04-1

Material-assembly-group-no: 1316.145.002



16 S 2525 TO /
RANGE SELECTION



Picture

Page 1 from 2

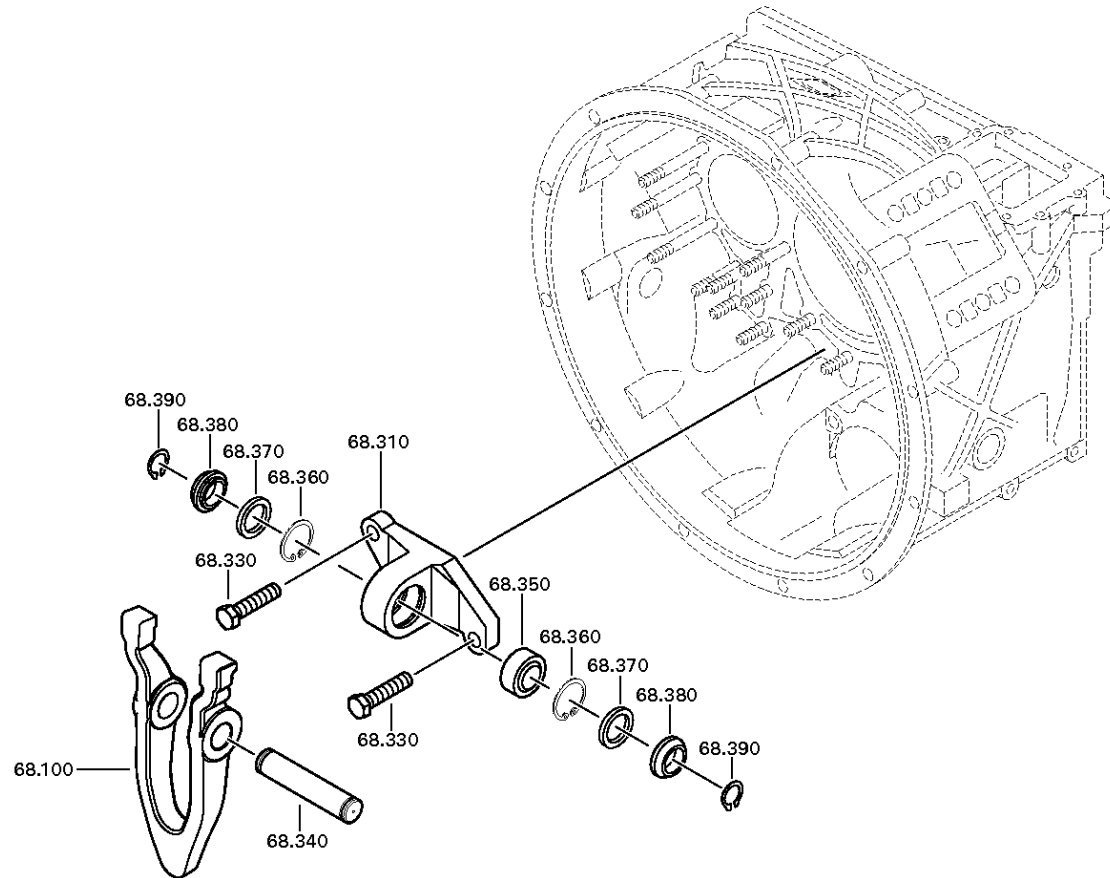
Material number: 1343.002.089

Picture: 068.93.95-1

CLUTCH RELEASE DEVICE



16 S 2525 TO /
CLUTCH RELEASE DEVICE



Picture

Page 2 from 2

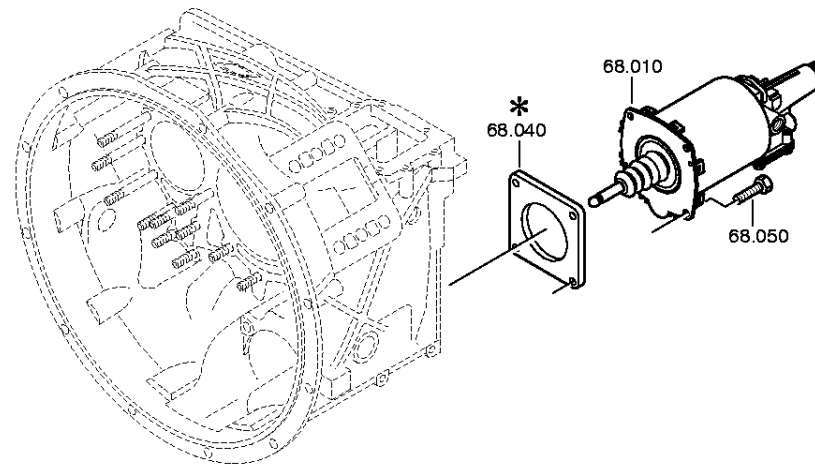
Material number: 1343.002.089

Picture: 068.93.63-1

CLUTCH RELEASE DEVICE



16 S 2525 TO /
CLUTCH RELEASE DEVICE



Picture

Page 1 from 5

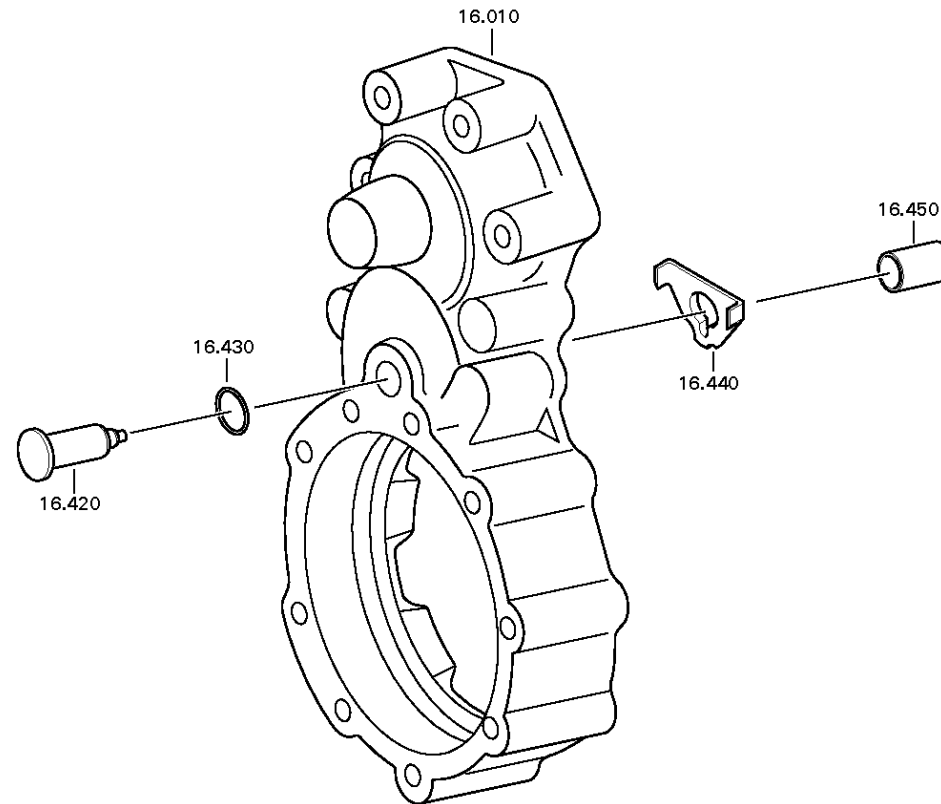
Material number: 6091.016.012

Picture: 068.74.60

HOUSING



16 S 2525 TO /
HOUSING



Picture

Page 2 from 5

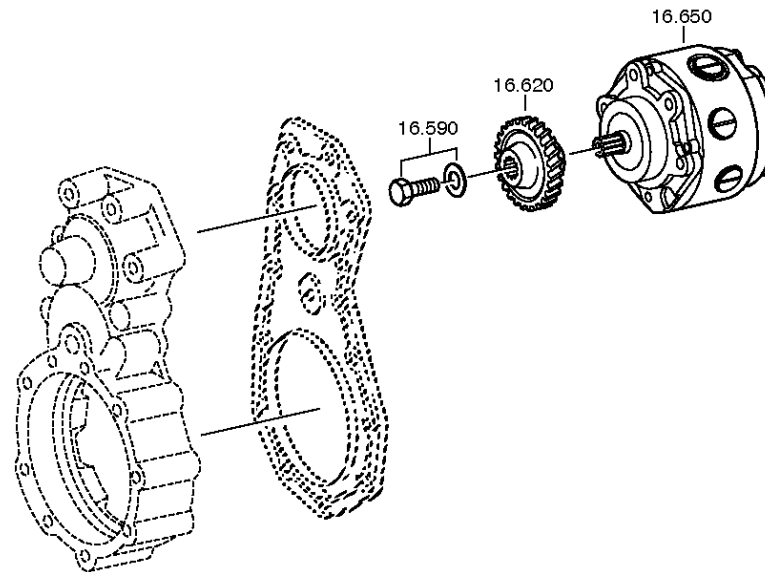
Material number: 6091.016.012

Picture: 068.74.13

HOUSING



16 S 2525 TO /
HOUSING



Picture

Page 3 from 5

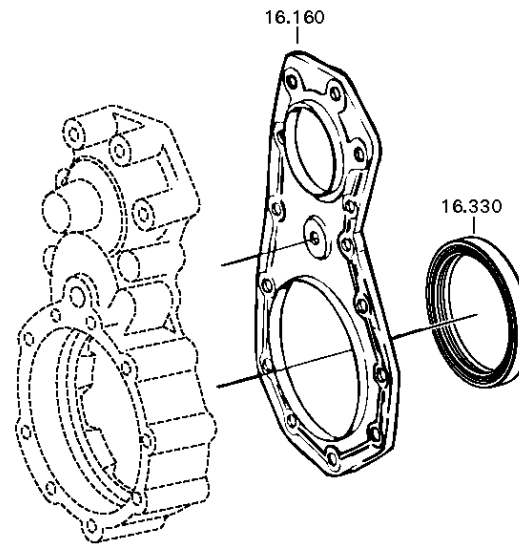
Material number: 6091.016.012

Picture: 068.74.58-1

HOUSING



16 S 2525 TO /
HOUSING



Picture

Page 4 from 5

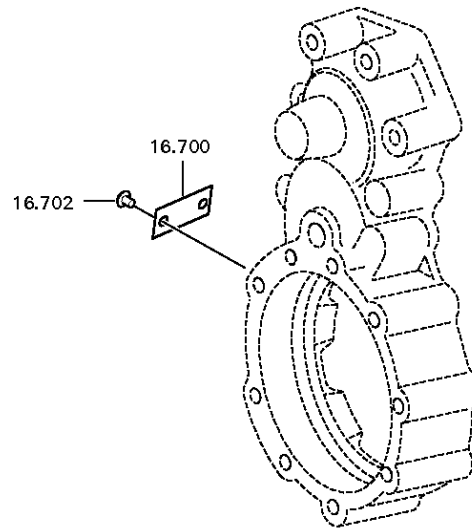
Material number: 6091.016.012

Picture: 068.74.59-1

HOUSING



16 S 2525 TO /
HOUSING



Picture

Page 5 from 5

Material number: 6091.016.012

Picture: 068.74.80

HOUSING



16 S 2525 TO /
HOUSING

