



Spare Parts Catalog

6 S 800 TO

Material number: 1346.001.019

Current date: 03.10.2022

ZF Friedrichshafen AG
Hauptverwaltung
80038 Friedrichshafen
Deutschland

Telefon: +49 7541 77-0

Telefax: +49 7541 77-908000

www.zf.com

zuständiges Werk:
Friedrichshafen

Notes relating to the spare parts catalog

Setup of the spare parts catalog

- Cover sheet
- Technical Cover (only in SDM print)
- Overview of figures
- Figure
- Associated parts list
- Next figure
- Associated parts list
- ...

Figure and parts list



Overview of figures

Bildtafel Figure	Sachnummer Product number	Benennung (Description)	Technische Info Technical info	Description (Benennung)	Menge Quantity	Einheit Unit
068.08.17	1316.170.001	AUSLEGER	WL	SHIFT TURRET	1	Stk
068.08.06	1316.170.031	DECKEL	WL*H-H *VM	COVER	1	Stk
068.08.14	1316.170.808	DECKEL	WL*AUSL+GEH*H-H*HF160N	COVER	1	Stk
08	1316.170.441	ANSCHLUSSTEILE	WL*NG-VORB*RG-SCHL*168N *BAJONETT	CONNECTING PARTS	1	Stk

The "gap" indicates that there is no separate graphics panel (poster) for this assembly
The parts of this assembly are shown with the same mid-section number on the figure

1 Positions and subpositions

Pos.	Sachnummer Product number	Benennung (Description)	Technische Info Technical info	Description (Benennung)	Menge Quantity	Einheit Unit
0370	1315.201.054	RUECKLAUFBOLZEN	KPL.16S151*SG*L= 79	REV.IDLER SHAFT	1	Stk
/0120	0631.329.293	SPANNSTIFT		SLOT. PIN	1	Stk

Positions marked with "/" are the individual items of a completion
For example: Position 0370 contains a centering pin with the position /0120

2 Combinations with standardized parts

Pos.	Sachnummer Product number	Benennung (Description)	Technische Info Technical info	Description (Benennung)	Menge Quantity	Einheit Unit
0630		VERSCHL.SCHR.		SCREW PLUG	1	Stk
	0636.302.067	VERSCHL.SCHR.		SCREW PLUG	1	Stk
	0634.801.249	DICHTRING	A 26 X 31	SEALING RING	1	Stk

The parts list shows the components included in the combination of standardized parts

3 Depiction of position/item number on the figure and in the parts list

01.620 - on the figure 01 relates to the assembly in which the position is included. Due to program-related reasons, it is shown on the figure.

0620 - in the parts list

Pos.	Sachnummer Product number	Benennung (Description)	Technische Info Technical info	Description (Benennung)	Menge Quantity	Einheit Unit
0620	0732.040.736	DRUCKFEDER		COMPRESSION SPRING	1	Stk

4 *-Positions

Positions marked with an * are optional i.e. inclusion in the parts list is not mandatory.
The following note is shown on the figure

je nach Stücklistenausführung
depending on spec. number
*
suivant la nomenclature
secondo la distinta base

5 Parts, dotted display

Parts with dotted display on the figure are only used for orientation of other parts

Assembly group overview

Page 1 from 1

Material number: 1346.001.019



6 S 800 TO /

Picture	Pos.	Material number	Name	Quantity	Amend. no.	Techn. Info.
150.01.08-1	110	1346.101.028	CLUTCH HOUSING	1		
150.01.50-1	112	1346.101.060	TYPE PLATE	1		
150.01.81-1	120	1346.101.820	OUTPUT HOUSING	1		
150.02.01-1	130	1346.102.009	INPUT SHAFT	1		
150.02.02-1	140	1346.102.007	GUIDE TUBE	1		
150.02.81-1	150	1346.102.803	GUIDE TUBE	1		
150.02.85-1	160	1346.102.807	INPUT SHAFT	1		
150.03.01-1	920	1346.103.002	COUNTERSHAFT	1		
150.04.80-1	210	1346.104.810	MAIN SHAFT	1		
150.04.01-1	910	1346.104.003	MAIN SHAFT	1		
150.05.01-1	220	1346.105.003	RETURN	1		
150.06.01-1	230	1346.106.002	SHIFT SYSTEM	1		
150.09.02-1	10	1346.109.011	GEAR SHIFT HOUSING	1		
150.10.01-1	270	1346.174.800	SHIFT TURRET	1		
150.14.02-1	350	1346.122.803	SUPPORT	1		
150.50.03-1	90	1346.150.019	SET OF SPRINGS	1		
150.052.006-1	40	1346.152.004	LEVER	1		
150.55.01-1	30	1346.155.008	GEARSHIFT SHAFT	1		
150.56.01-1	50	1346.156.001	SELECTOR CONNECTION	1		
150.57.04-1	60	1346.157.004	PNEUMATIC SERVO UNIT	1		
150.57.80-1	70	1346.157.800	PNEUMATIC SERVO UNIT	1		
150.59.05-1	80	1346.159.023	SWITCH	1		
150.93.42-1	330	6060.168.009	CLUTCH RELEASE DEVICE	1		

Picture

Page 1 from 3

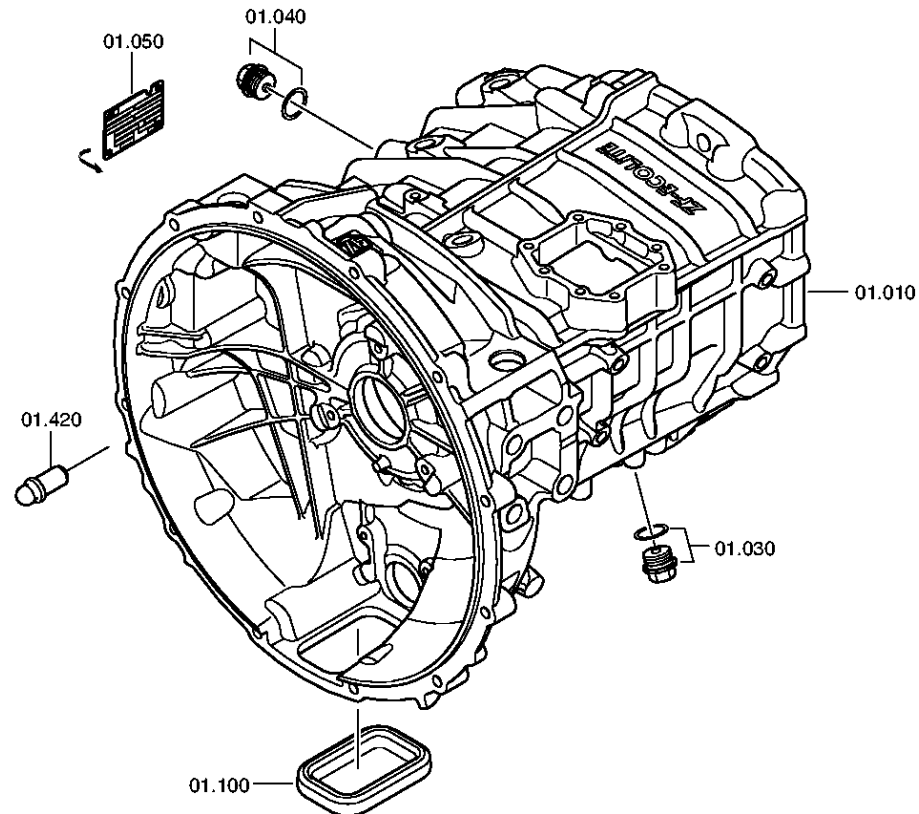
Material number: 1346.001.019

Picture: 150.01.08-1

CLUTCH HOUSING



6 S 800 TO /
CLUTCH HOUSING



Picture

Page 2 from 3

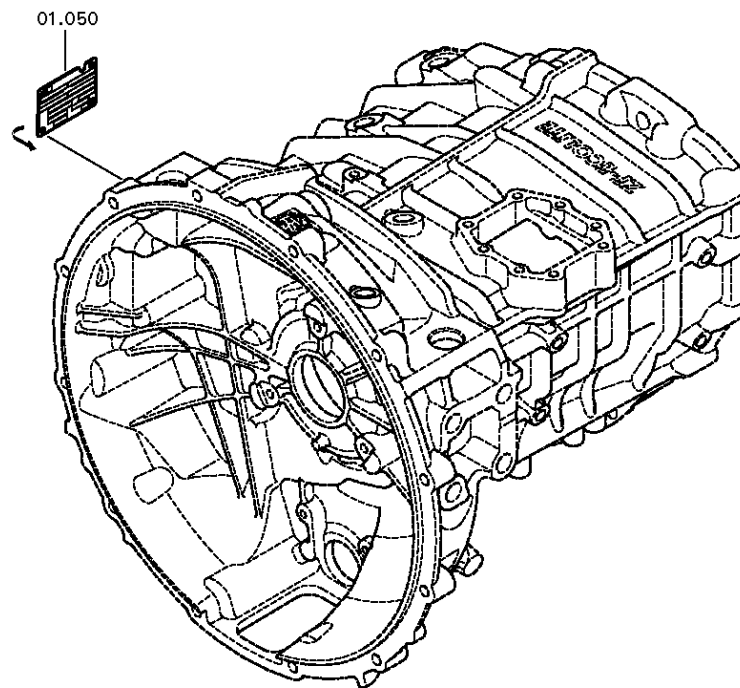
Material number: 1346.001.019

Picture: 150.01.50-1

CLUTCH HOUSING



6 S 800 TO /
CLUTCH HOUSING



Picture

Page 3 from 3

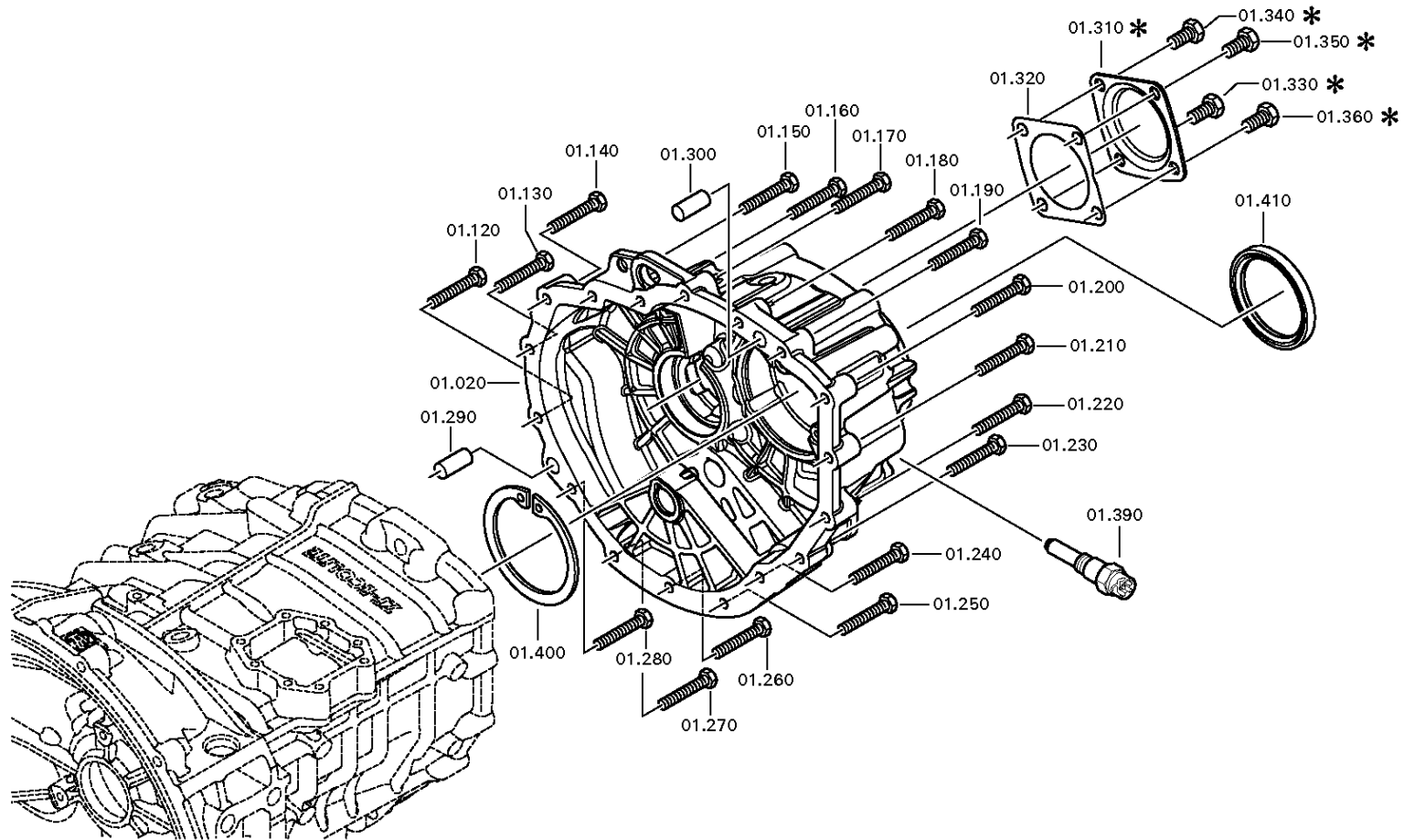
Material number: 1346.001.019

Picture: 150.01.81-1

CLUTCH HOUSING



6 S 800 TO /
CLUTCH HOUSING



Picture

Page 1 from 4

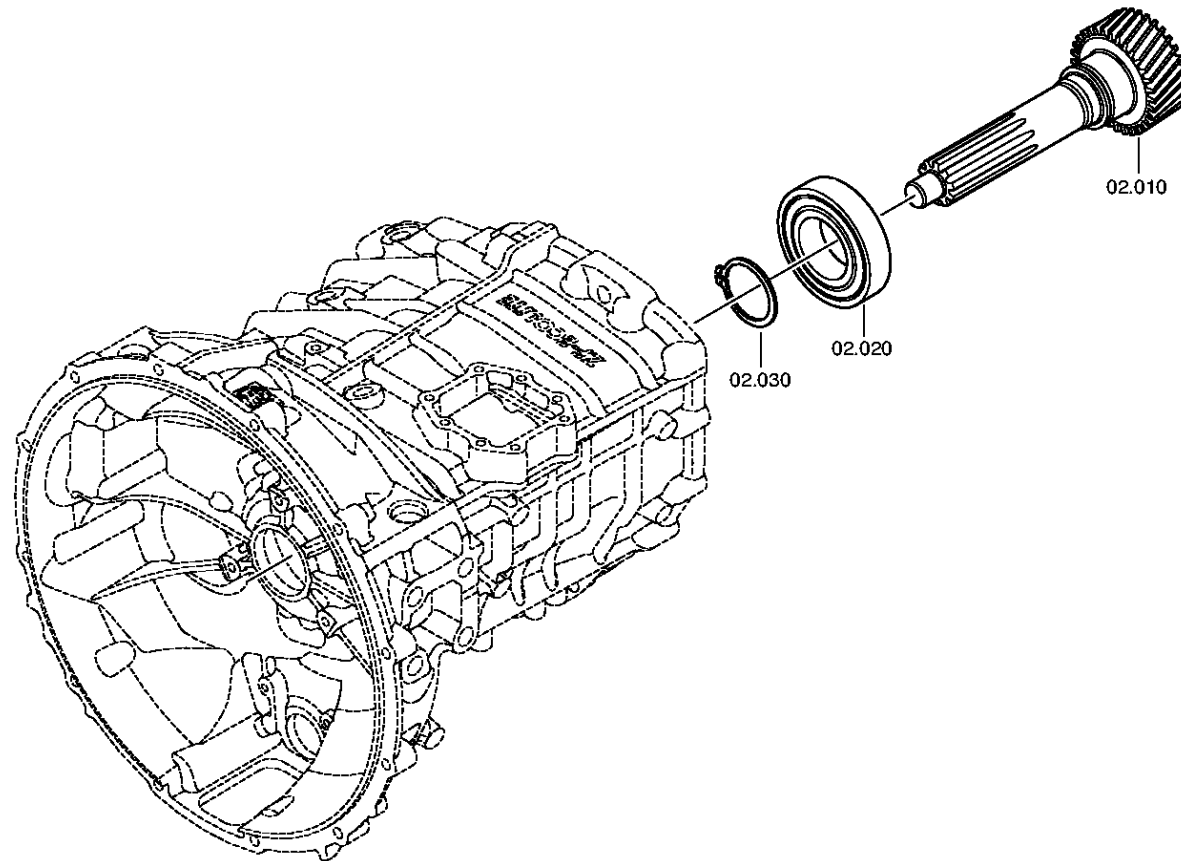
Material number: 1346.001.019

Picture: 150.02.01-1

INPUT SHAFT



6 S 800 TO /
INPUT SHAFT



Picture

Page 2 from 4

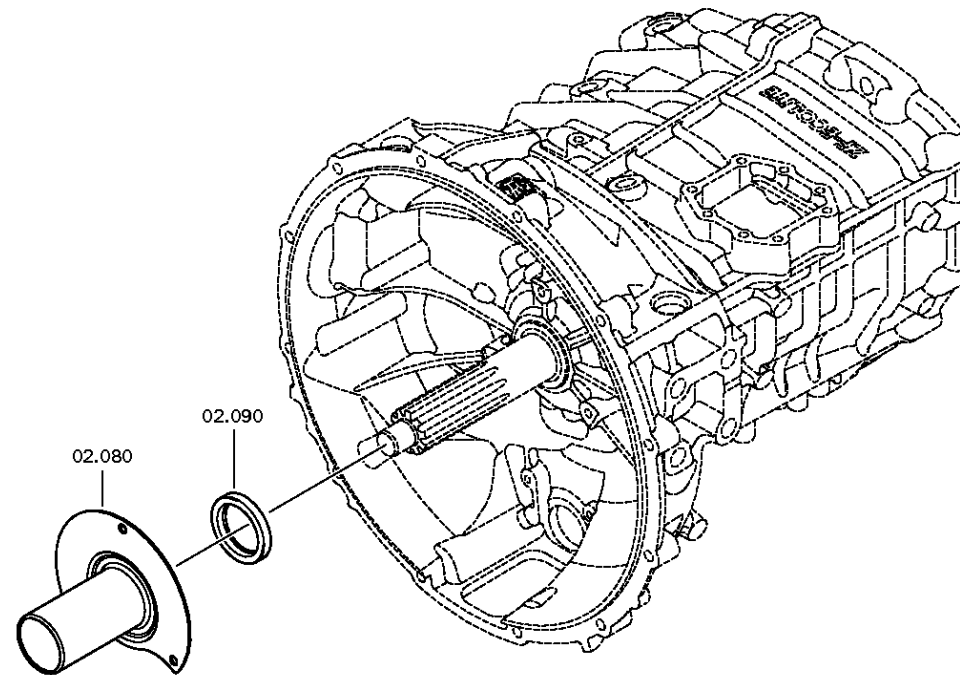
Material number: 1346.001.019

Picture: 150.02.02-1

INPUT SHAFT



6 S 800 TO /
INPUT SHAFT



Picture

Page 3 from 4

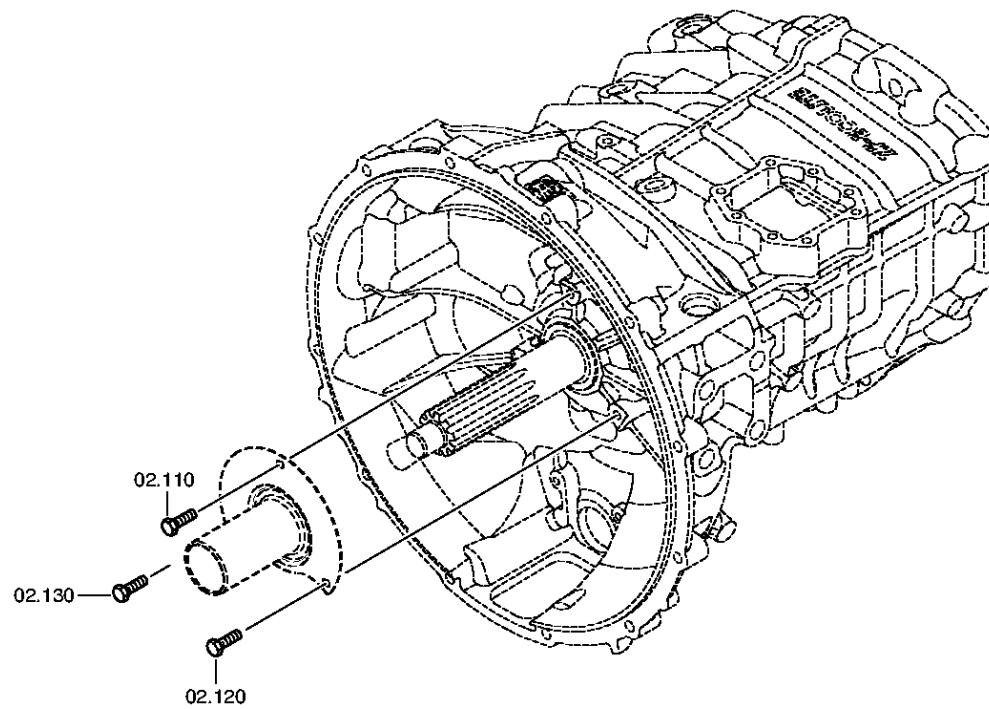
Material number: 1346.001.019

Picture: 150.02.81-1

INPUT SHAFT



6 S 800 TO /
INPUT SHAFT



Picture

Page 4 from 4

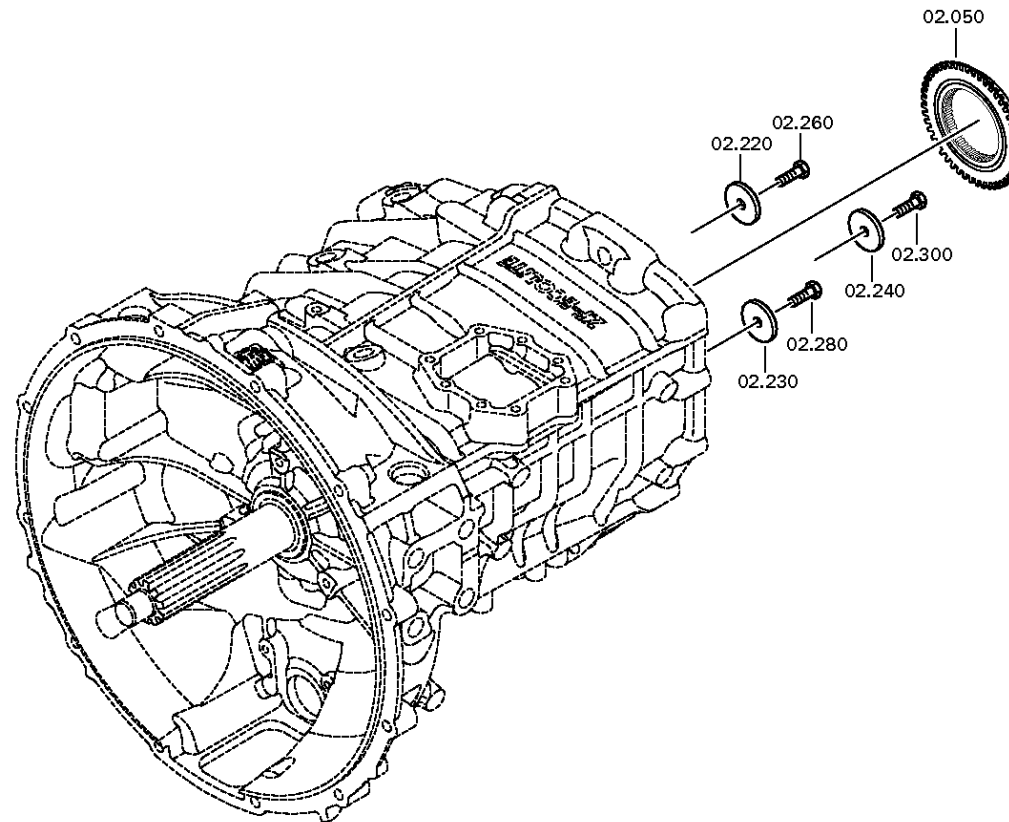
Material number: 1346.001.019

Picture: 150.02.85-1

INPUT SHAFT



6 S 800 TO /
INPUT SHAFT



Picture

Page 1 from 1

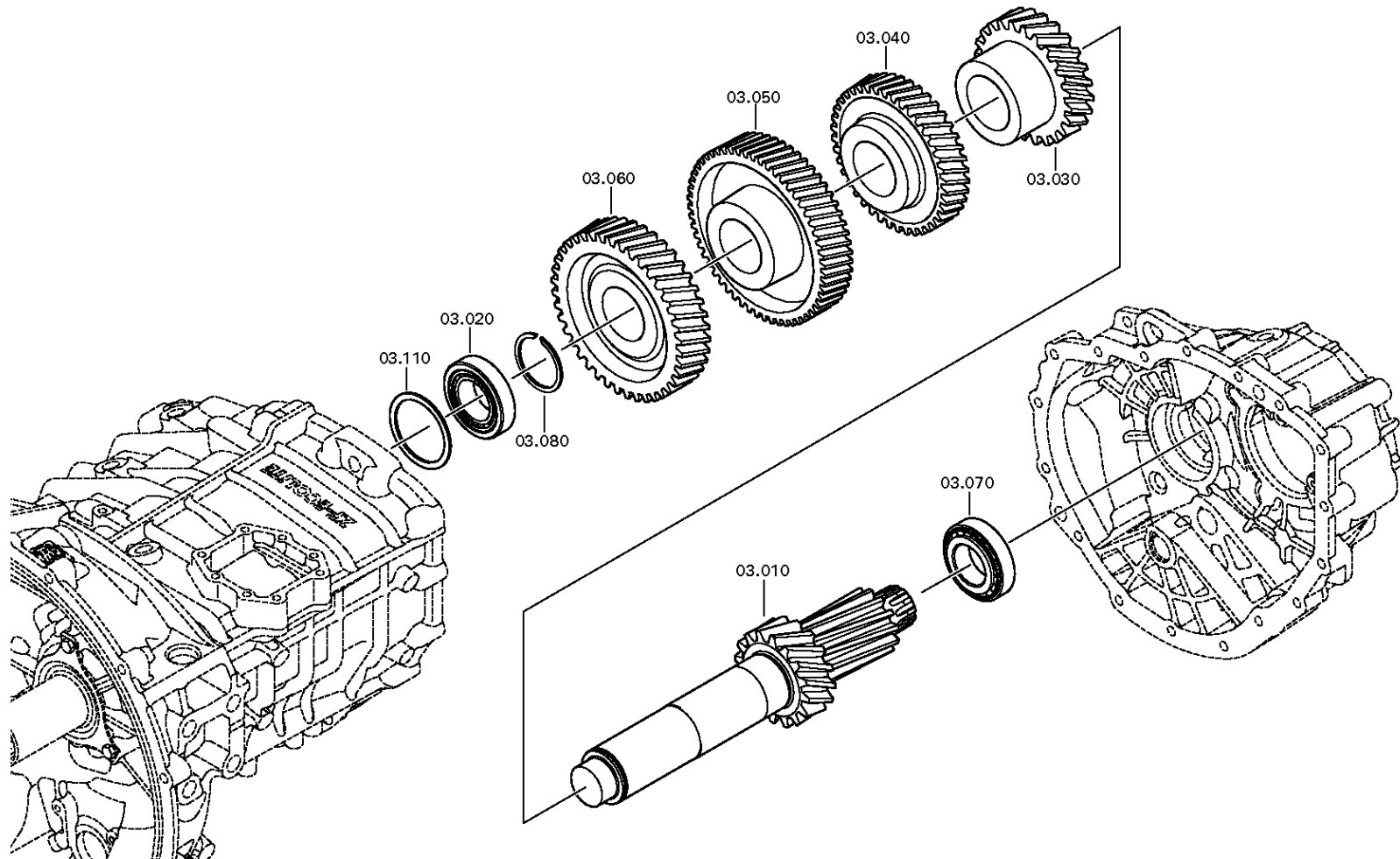
Material number: 1346.001.019

Picture: 150.03.01-1

Material-assembly-group-no: 1346.103.002



6 S 800 TO /
COUNTERSHAFT



Picture

Page 1 from 3

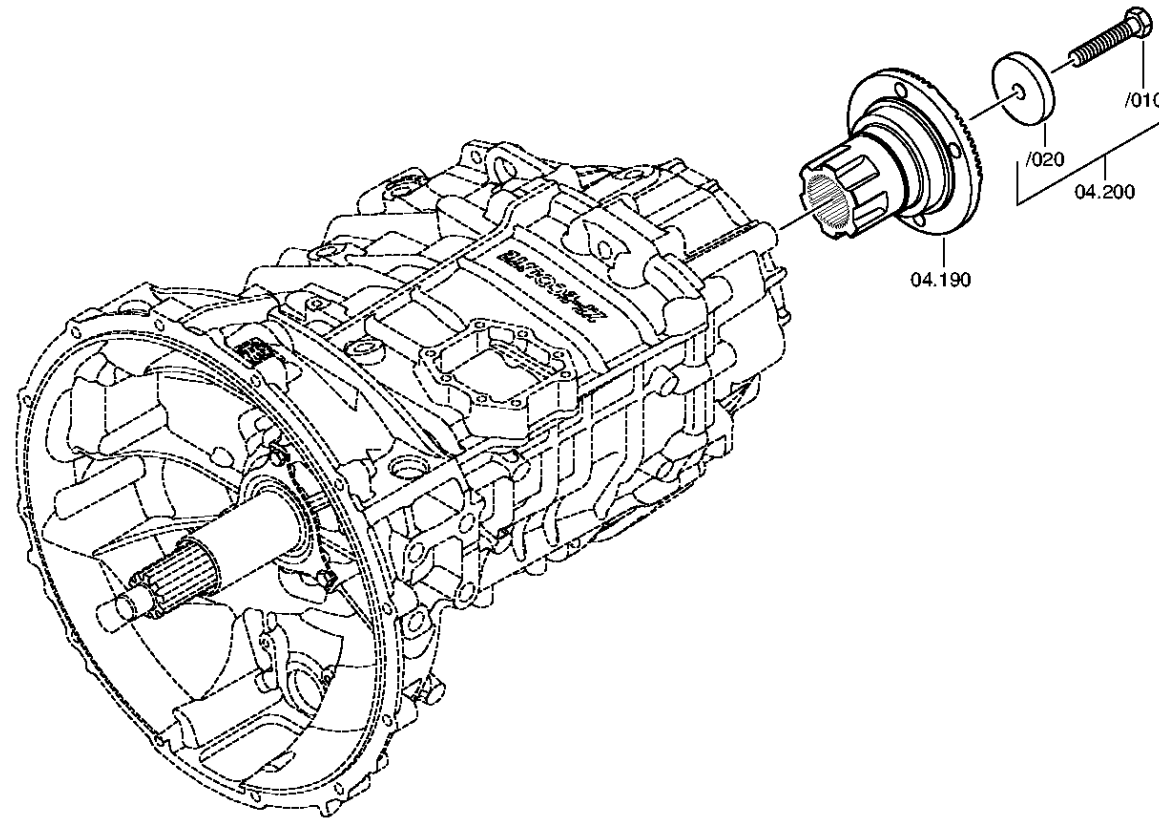
Material number: 1346.001.019

Picture: 150.04.80-1

MAIN SHAFT



6 S 800 TO /
MAIN SHAFT



Picture

Page 2 from 3

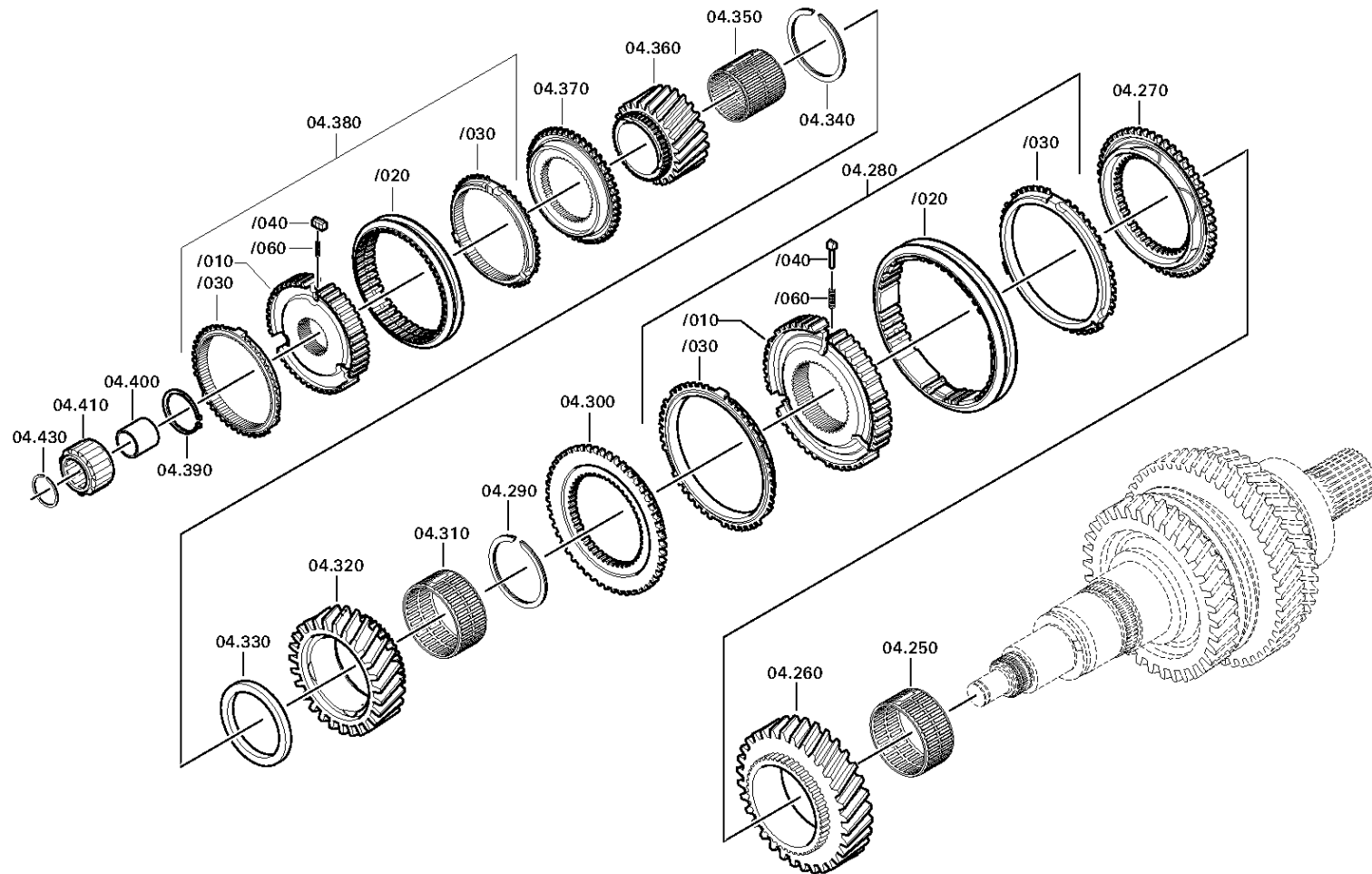
Material number: 1346.001.019

Picture: 150.04.01-1

MAIN SHAFT



6 S 800 TO /
MAIN SHAFT



Picture

Page 3 from 3

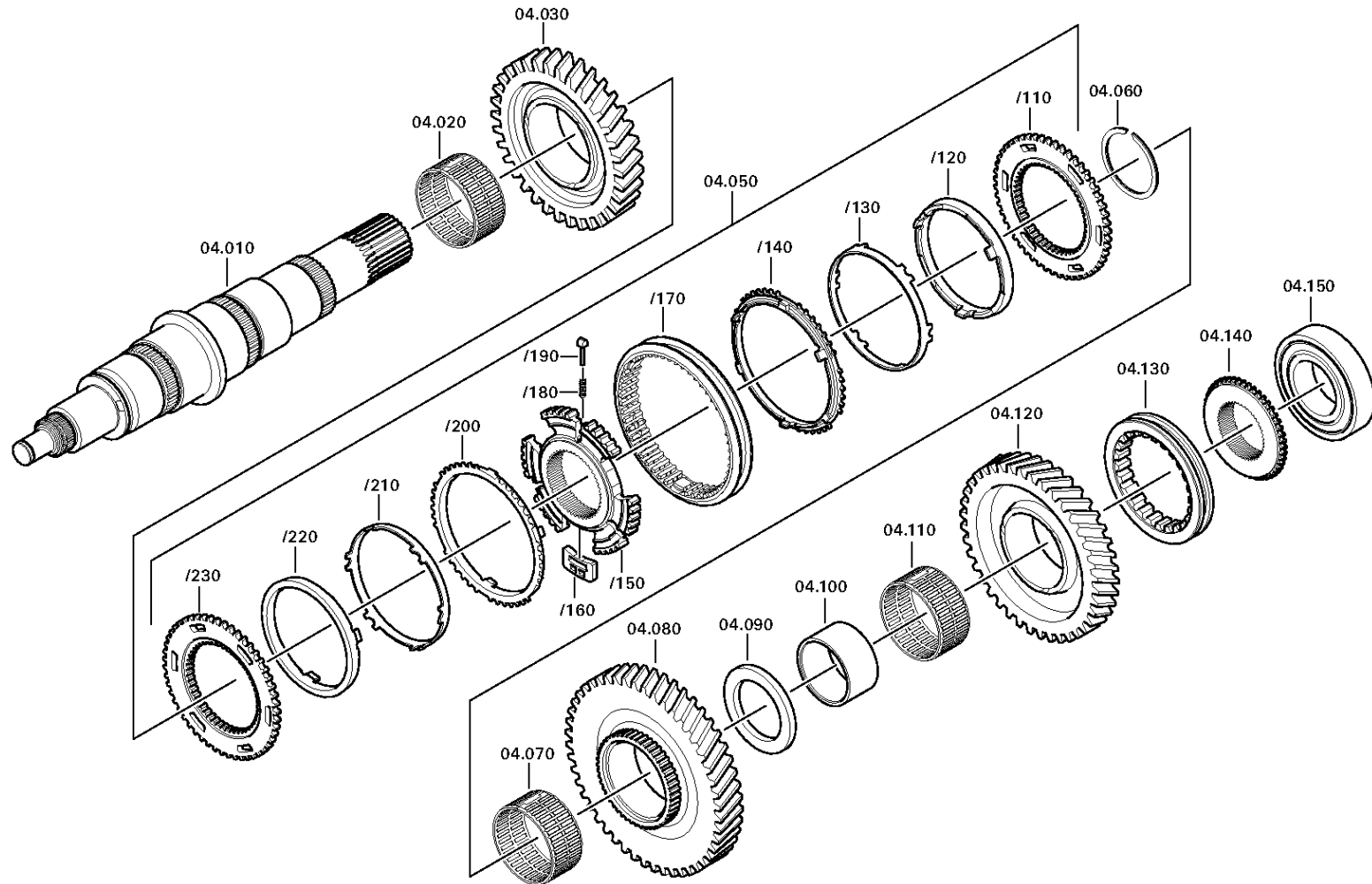
Material number: 1346.001.019

Picture: 150.04.01-2

MAIN SHAFT



6 S 800 TO /
MAIN SHAFT



Picture

Page 1 from 1

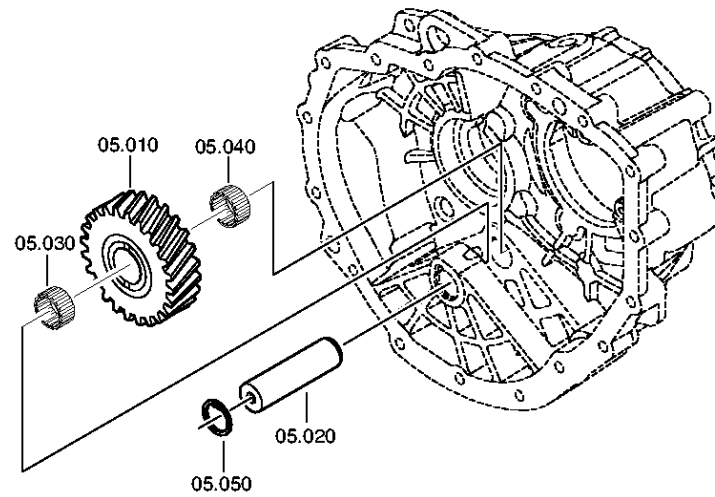
Material number: 1346.001.019

Picture: 150.05.01-1

Material-assembly-group-no: 1346.105.003



6 S 800 TO /
RETURN



Picture

Page 1 from 1

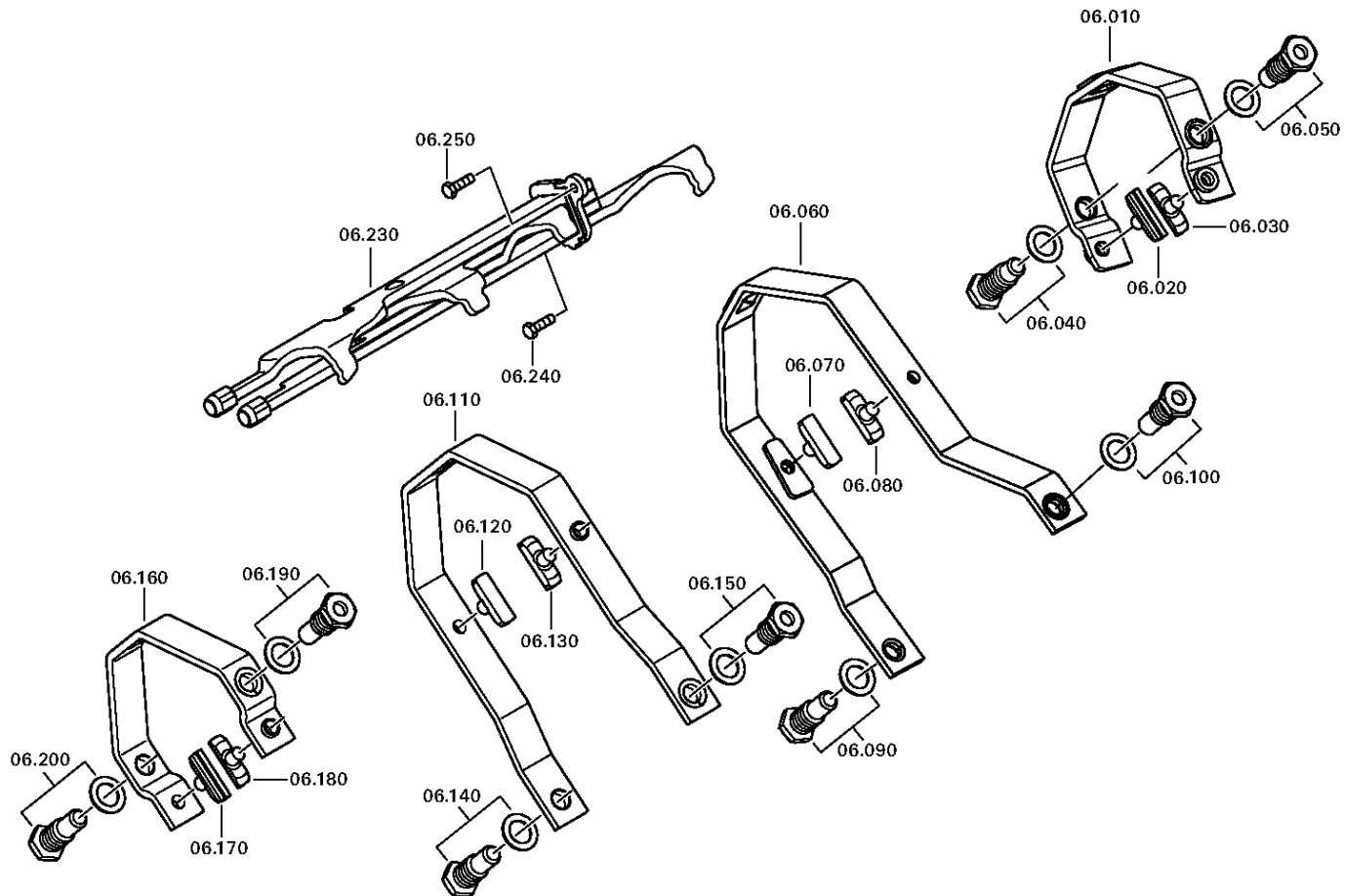
Material number: 1346.001.019

Picture: 150.06.01-1

Material-assembly-group-no: 1346.106.002



6 S 800 TO /
SHIFT SYSTEM



Picture

Page 1 from 1

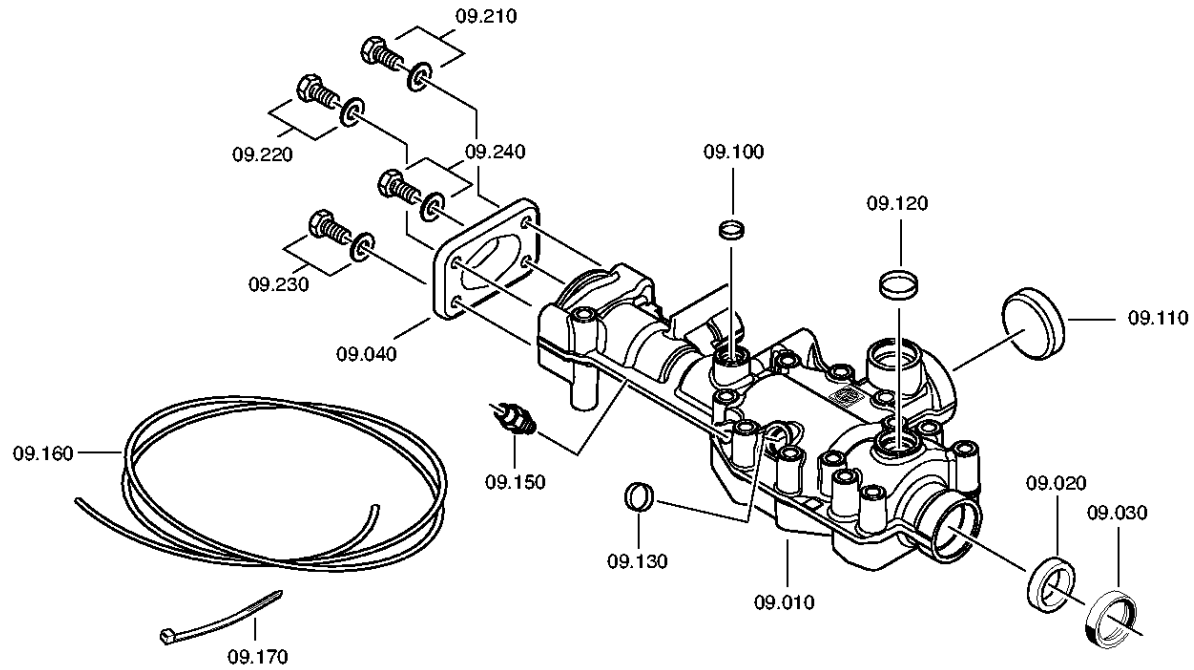
Material number: 1346.001.019

Picture: 150.09.02-1

Material-assembly-group-no: 1346.109.011



6 S 800 TO /
GEAR SHIFT HOUSING



Picture

Page 1 from 1

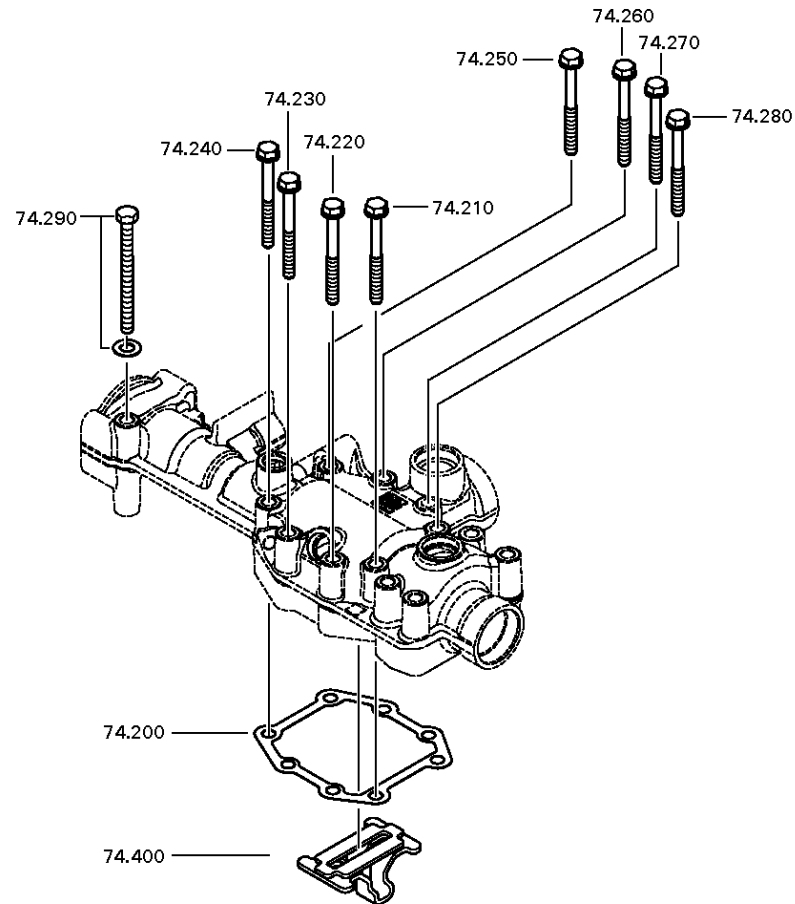
Material number: 1346.001.019

Picture: 150.10.01-1

Material-assembly-group-no: 1346.174.800



6 S 800 TO /
SHIFT TURRET



Picture

Page 1 from 1

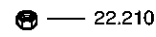
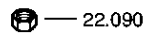
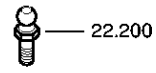
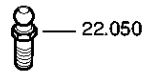
Material number: 1346.001.019

Picture: 150.14.02-1

Material-assembly-group-no: 1346.122.803



6 S 800 TO /
SUPPORT



Picture

Page 1 from 1

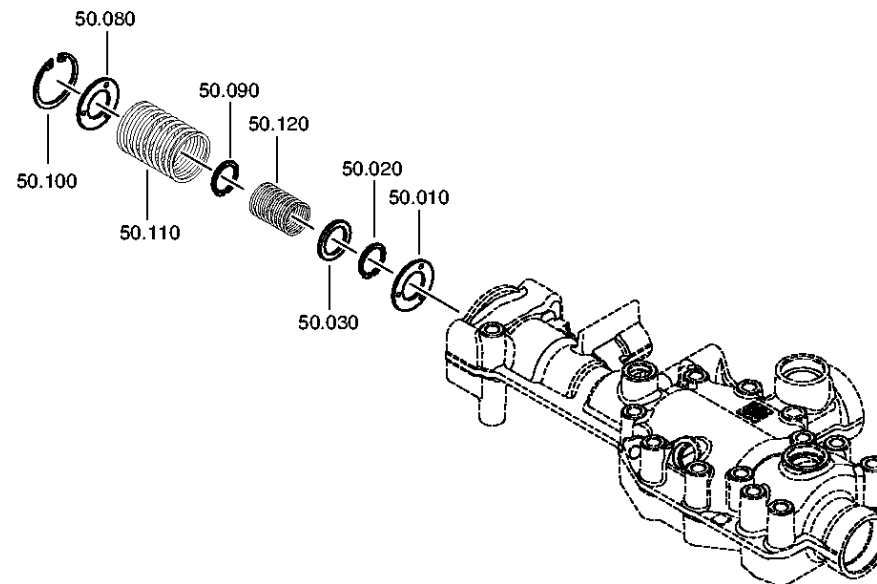
Material number: 1346.001.019

Picture: 150.50.03-1

Material-assembly-group-no: 1346.150.019



6 S 800 TO /
SET OF SPRINGS



Picture

Page 1 from 1

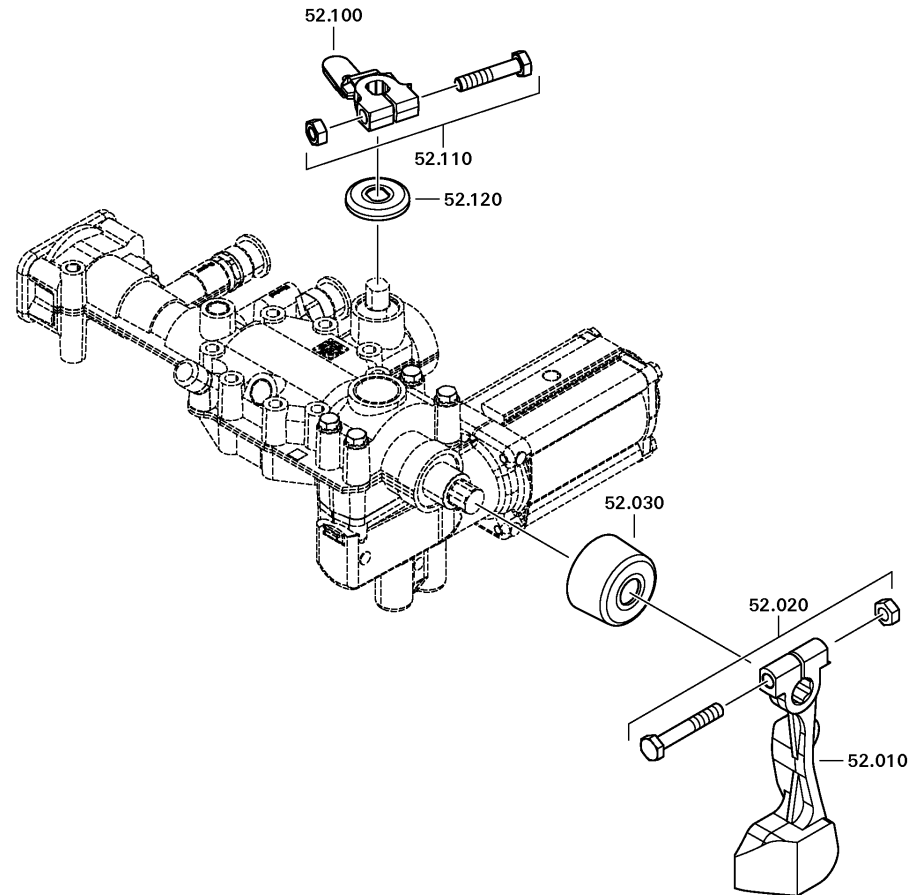
Material number: 1346.001.019

Picture: 150.052.006-1

Material-assembly-group-no: 1346.152.004



6 S 800 TO /
LEVER



Picture

Page 1 from 1

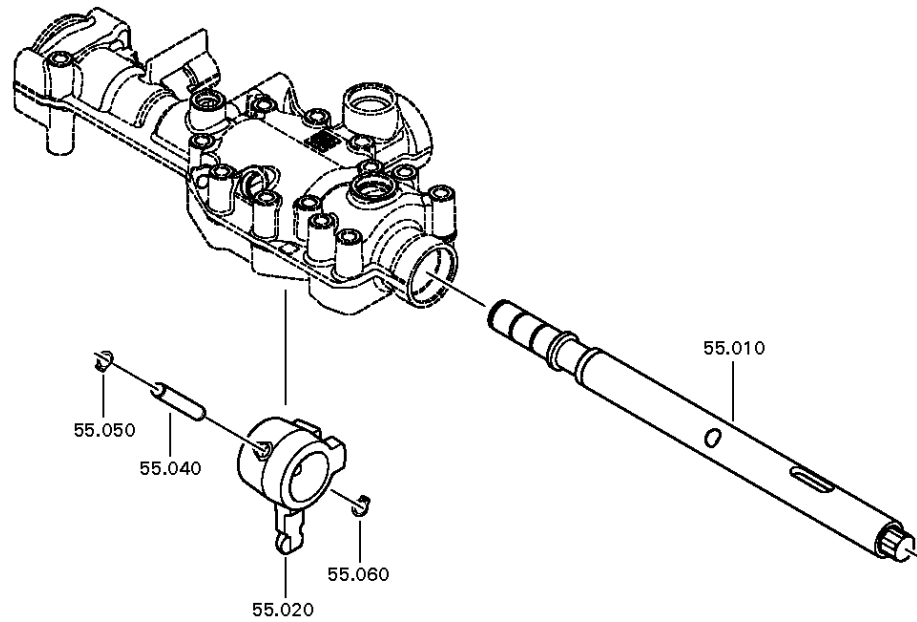
Material number: 1346.001.019

Picture: 150.55.01-1

Material-assembly-group-no: 1346.155.008



6 S 800 TO /
GEARSHIFT SHAFT



Picture

Page 1 from 1

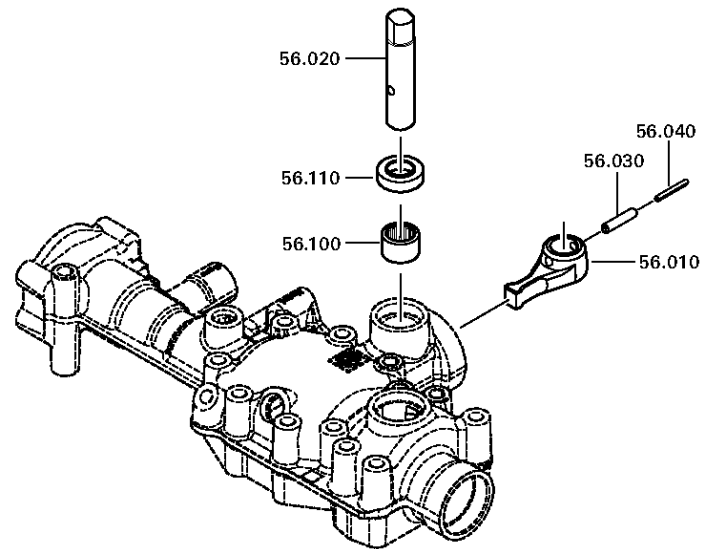
Material number: 1346.001.019

Picture: 150.56.01-1

Material-assembly-group-no: 1346.156.001



6 S 800 TO /
SELECTOR CONNECTION



Picture

Page 1 from 2

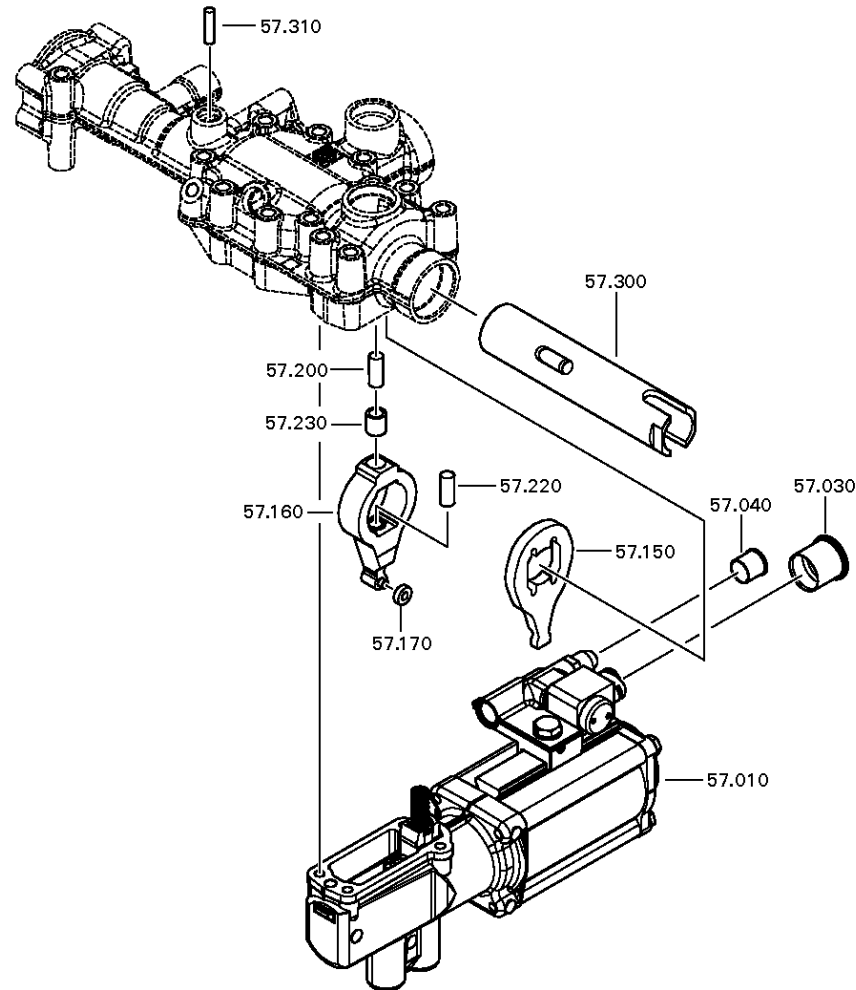
Material number: 1346.001.019

Picture: 150.57.04-1

PNEUMATIC SERVO UNIT



6 S 800 TO /
PNEUMATIC SERVO UNIT



Picture

Page 2 from 2

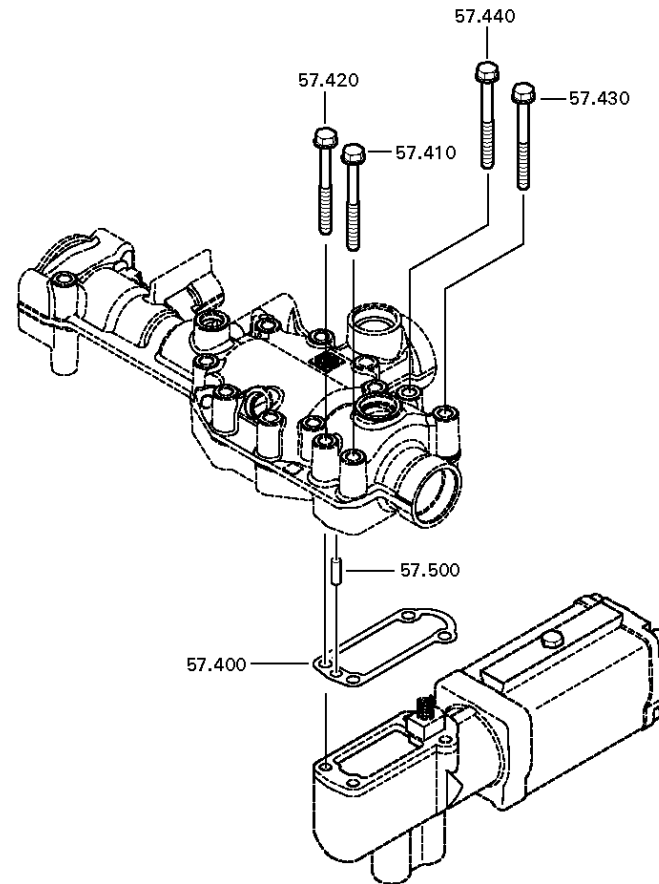
Material number: 1346.001.019

Picture: 150.57.80-1

PNEUMATIC SERVO UNIT



6 S 800 TO /
PNEUMATIC SERVO UNIT



Picture

Page 1 from 1

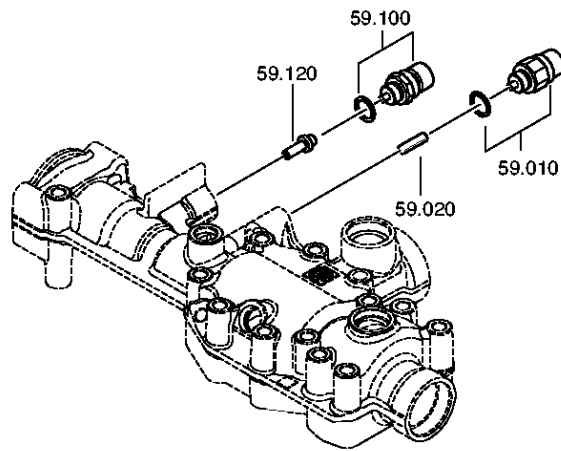
Material number: 1346.001.019

Picture: 150.59.05-1

Material-assembly-group-no: 1346.159.023



6 S 800 TO /
SWITCH



Picture

Page 1 from 1

Material number: 1346.001.019

Picture: 150.93.42-1

Material-assembly-group-no: 6060.168.009



6 S 800 TO /
CLUTCH RELEASE DEVICE

