



Spare Parts Catalog

6 S 800 TO

Material number: 1346.001.028

Current date: 19.03.2019

ZF Friedrichshafen AG
Hauptverwaltung
80038 Friedrichshafen
Deutschland

Telefon: +49 7541 77-0

Telefax: +49 7541 77-908000

www.zf.com

zuständiges Werk:
Friedrichshafen

Notes relating to the spare parts catalog

Setup of the spare parts catalog

- Cover sheet
- Technical Cover (only in SDM print)
- Overview of figures
- Figure
- Associated parts list
- Next figure
- Associated parts list
- ...

Figure and parts list



Overview of figures

Bildtafel Figure	Sachnummer Product number	Benennung (Description)	Technische Info Technical info	Description (Benennung)	Menge Quantity	Einheit Unit
068.08.17	1316.170.001	AUSLEGER	WL	SHIFT TURRET	1	Stk
068.08.06	1316.170.031	DECKEL	WL*H-H *VM	COVER	1	Stk
068.08.14	1316.170.808	DECKEL	WL*AUSL+GEH*H-H*HF160N	COVER	1	Stk
08	1316.170.441	ANSCHLUSSTEILE	WL*NG-VORB*RG-SCHL*168N *BAJONETT	CONNECTING PARTS	1	Stk

The "gap" indicates that there is no separate graphics panel (poster) for this assembly
The parts of this assembly are shown with the same mid-section number on the figure

1 Positions and subpositions

Pos.	Sachnummer Product number	Benennung (Description)	Technische Info Technical info	Description (Benennung)	Menge Quantity	Einheit Unit
0370	1315.201.054	RUECKLAUFBOLZEN	KPL.16S151*SG*L= 79	REV.IDLER SHAFT	1	Stk
/0120	0631.329.293	SPANNSTIFT		SLOT. PIN	1	Stk

Positions marked with "/" are the individual items of a completion
For example: Position 0370 contains a centering pin with the position /0120

2 Combinations with standardized parts

Pos.	Sachnummer Product number	Benennung (Description)	Technische Info Technical info	Description (Benennung)	Menge Quantity	Einheit Unit
0630		VERSCHL.SCHR.		SCREW PLUG	1	Stk
	0636.302.067	VERSCHL.SCHR.		SCREW PLUG	1	Stk
	0634.801.249	DICHTRING	A 26 X 31	SEALING RING	1	Stk

The parts list shows the components included in the combination of standardized parts

3 Depiction of position/item number on the figure and in the parts list

01.620 - on the figure 01 relates to the assembly in which the position is included. Due to program-related reasons, it is shown on the figure.

0620 - in the parts list

Pos.	Sachnummer Product number	Benennung (Description)	Technische Info Technical info	Description (Benennung)	Menge Quantity	Einheit Unit
0620	0732.040.736	DRUCKFEDER		COMPRESSION SPRING	1	Stk

4 *-Positions

Positions marked with an * are optional i.e. inclusion in the parts list is not mandatory.
The following note is shown on the figure

je nach Stücklistenausführung
depending on spec. number
*
suivant la nomenclature
secondo la distinta base

5 Parts, dotted display

Parts with dotted display on the figure are only used for orientation of other parts

Technical Cover

Page 1 from 4

Material number: 1346.001.028



6 S 800 TO /

Pos.	Information	Amendment number
001	Use case -----	
002	Customer MAN NUTZFAHRZEUGE OESTERREICH AG	
003	City STEYR	
004	DUNS 30-098-9258	
005	Vehicle / Apparatus -----	
006	Sales Name TGL	
007	Manufacturer MAN NUTZFAHRZEUGE OESTERREICH AG	
008	Engineering Name	
009	Product Use TRUCK	
010	Vehicle/Hardware Type ROAD TRACTOR	
011	SOP	
012	Engine	
013	Sales Designation D0834	
014	Manufacturer MAN	
015	Drivetrain type DIESEL	
016	Eng.Displ. 4580 cm3	
017	Cylinder 4	
018	Nom. power 162 kW	
019	RPM at nom. power 2400 1/min	
020	Nom. torque 850 Nm	
021	RPM at nom. torque 1300 1/min	
022	Classification use case -----	
023	DESIGNATION, CLUTCH MF395	
024	MANUFACTURER, CLUTCH ZF-SACHS	
025	TOTAL NUMBER OF WHEELS 4	
026	NUMBER OF DRIVING WHEELS 2	
027	DYNAMIC TYRE RADIUS 409 mm	
028	REAR AXLE RATIO 4.11	
032	PERMISS.GROSS VEHICLE WEIGHT 12 t	
033	PERMISS.GROSS COMBIN.WEIGHT 21 t	
034	Product description -----	
035	INSTALLATION POS TRANSMISSION HORIZONTAL LEFT	
036	TRANSMISSION ATTACHMENT FLANGE-MOUNTED	

Technical Cover

Page 2 from 4

Material number: 1346.001.028



6 S 800 TO /

Pos.	Information	Amendment number
037	CO2-FAMILY XXX	
038	CO2-CERTIFICATE XXX	
039	RATIO, BOTTOM GEAR 6.58	
040	RATIO, TOP GEAR .78	
041	SET OF RATIOS SG	
042	RATIO, 1ST GEAR 6.58	
043	RATIO, 2ND GEAR 3.6	
044	RATIO, 3RD GEAR 2.13	
045	RATIO, 4TH GEAR 1.39	
046	RATIO, 5TH GEAR 1	
047	RATIO, 6TH GEAR .78	
048	RATIO, 1ST GEAR REVERSE 6.06	
049	DESIGN, SHIFT SYSTEM TURNING SHAFT	
050	POSITION, GEAR SHIFT SYSTEM HORIZONTAL LEFT	
054	SELECTION PATTERN VARIANT GEAR SHIFT PATTERN 1	
055	REFERENCE LENGTH INPUT SHAFT 116 mm	
056	STANDARD TYPE INPUT SHAFT SAE	
057	NUMBER OF WEDGES INPUT SHAFT 10	
058	VERSION OF INPUT SHAFT FORM C	
059	NOMINAL DIAMETER INPUT SHAFT 1.75 in	
060	DIAMETER, JOURNAL, INPUT SHAFT 25 mm	
061	TYPE FIT SPIGOTS INPUT SHAFT F7	
062	DIAMETER SHAFT OF INPUT SHAFT 44 mm	
066	DESIGN,CONN., CLUTCH HOUSING SAE 2	
067	VERSION OF CLUTCH HOUSING INTEGRATED	
069	WRENCH SIZE, RELEASE FORK 75 mm	
074	DESIGN RELEASE BEARING WITHOUT GROOVE	
077	REF.LENGTH,RELEASE BEAR.FLAN 15 mm	
078	DIAMETER, RELEASE FLANGE 57 mm	
079	OUTER DIA. OUTPUT FLANGE RA 120 mm	
080	NUMBERS OF BORES OUTPUT FL. RA 4	
081	BORE DIA. OUTPUT FLANGE RA 11 mm	
086	REF. LENGTH OUTPUT FLANGE RA 709 mm	

Technical Cover

Page 3 from 4

Material number: 1346.001.028



6 S 800 TO /

Pos.	Information	Amendment number
088	DIMENSION SHIFT TURRET DIST. 245.000 mm	
089	MEAS. LOC. SHIFT TURRET DIST. SHIFT LEVER OUTSIDE EDGE	
094	RADIUS 1 SHIFT LEVER 65 mm	
097	LEVER POSITION SHIFTING OUTPUT C	
104	SPRING ARRANGEMENT Q10	
105	TOOLING SET OF SPRINGS W015	
107	SPRING FORCE DETENT PLUNGER RG 160 N	
109	SWITCH, REVERSE GEAR y	
110	DESIGN, RG (REV.GEAR) SWITCH CLOSING	
111	DESIGN, CONNECTION, RG SWITCH DIN BAYONET	
112	PROT.CAP SWITCH, REVERSE GEAR y	
119	SWITCH, NEUTRAL GEAR y	
120	DESIGN,NG(NEUTRAL GEAR)SWITCH OPENING SWITCH	
121	DESIGN, CONNECTION, NG SWITCH DIN BAYONET	
122	PROT.CAP SWITCH, NEUTRAL GEAR y	
124	VER. TRANSMISSION VENTILATION PLUG CONNECTION	
126	VERSION PULSE SENSOR SFA H68 WITH	
127	NO. PULSES PULSE SENSOR SFAH68 6 IMP/U	
128	PROT.CAP PULSE SENSOR SFA H68 y	
129	DESIGN CONN.PULSE SENSOR SFA H68 DIN BAYONET	
130	DESIGN PULSE SENSOR H68 KITAS II	
132	OIL CAPACITY, GEARBOX 9.800 dm3	
133	OIL FILL VARIANT EX WORKS	
134	OIL GRADE PERMISSIBLE ACC. TO TE-ML02	
135	COLOR JET BLACK	
136	COLOUR CLASSIFICATION ACC. TO RAL 9005	
137	PAINTING, ZF STANDARD 915 W	
138	CODING OUTER CONSERVATION KA1	
139	SCOPE OUTER CONSERVATION T	
140	CODING INNER CONSERVATION KI1	
141	CONSERVATION SPECIFICATION ZFN 916	
142	DESIGN, SEPARATING CLUTCH	
143	BUSH VARIANT INPUT SHAFT	

Technical Cover

Page 4 from 4

Material number: 1346.001.028



6 S 800 TO /

Pos.	Information	Amendment number
144	DESIGN BEARING OUTPUT	
145	NO.OF BORES OUTPUT FLANGE HA1	
146	NOTE ON SWITCH, REVERSE GEAR	
150	NOTE PULSE SENSOR H68	
151	OIL CLASS FIRST FILLING	
152	CODING NUMBER OF PLUGS	
162	Alias ID -----	
163	MAN Nutzfahrzeuge OEsterreich AG 81.32004-6180	

Assembly group overview

Page 1 from 1

Material number: 1346.001.028



6 S 800 TO /

Graphics	Pos.	Material number	Name	Quantity	Amend. no.	Techn. Info.
150.01.08-1	110	1346.101.028	CLUTCH HOUSING	1		
150.01.50-1	112	1346.101.060	TYPE PLATE	1		
150.01.81-1	120	1346.101.802	OUTPUT HOUSING	1		
150.02.01-1	130	1346.102.006	INPUT SHAFT	1		
150.02.02-1	140	1346.102.007	GUIDE TUBE	1		
150.02.81-1	150	1346.102.803	GUIDE TUBE	1		
150.02.85-1	160	1346.102.807	INPUT SHAFT	1		
150.03.01-1	920	1346.103.002	COUNTERSHAFT	1		
150.04.89-1	210	1346.104.811	MAIN SHAFT	1		
150.04.01-1	910	1346.104.003	MAIN SHAFT	1		
150.05.01-1	220	1346.105.003	RETURN	1		
150.06.01-1	230	1346.106.002	SHIFT SYSTEM	1		
150.09.05-1	10	1346.109.009	GEAR SHIFT HOUSING	1		
150.10.01-1	270	1346.174.800	SHIFT TURRET	1		
150.50.04-1	90	1346.150.017	SET OF SPRINGS	1		
150.52.08-1	40	1346.152.013	LEVER	1		
150.55.03-1	30	1346.155.002	GEARSHIFT SHAFT	1		
150.58.01-1	100	1346.158.005	DETENT	1		
150.59.03-1	80	1346.159.018	SWITCH	1		
150.93.42-1	330	6060.168.009	CLUTCH RELEASE DEVICE	1		

Plant

Page 1 from 3

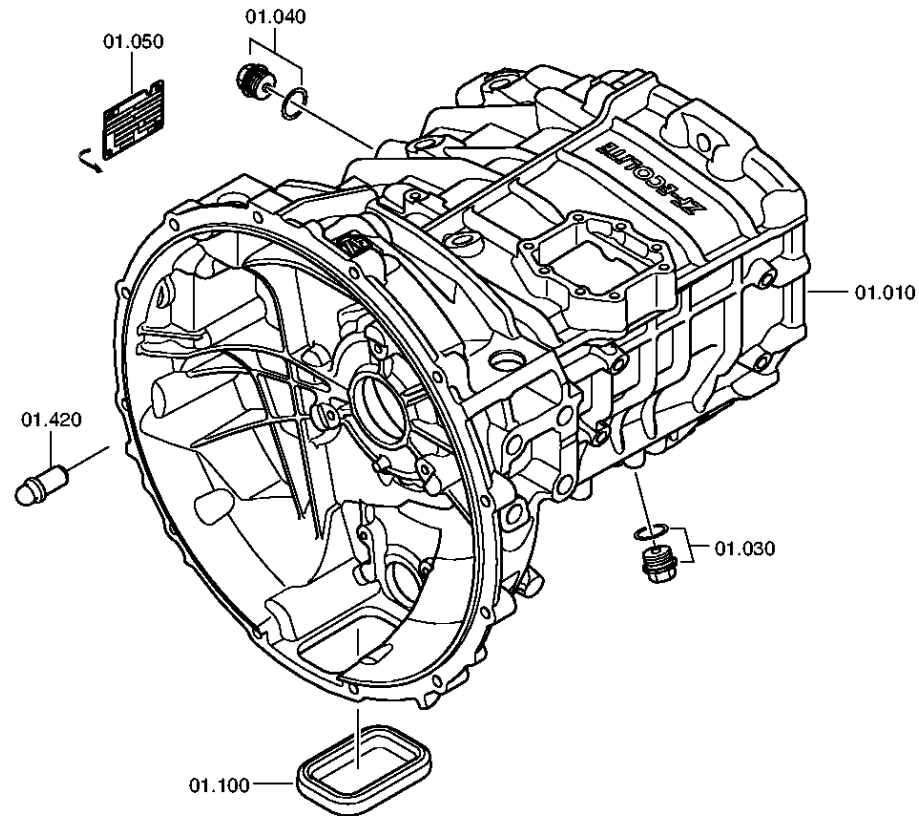
Material number: 1346.001.028

Plant: 150.01.08-1

CLUTCH HOUSING



6 S 800 TO /
CLUTCH HOUSING



Plant

Page 2 from 3

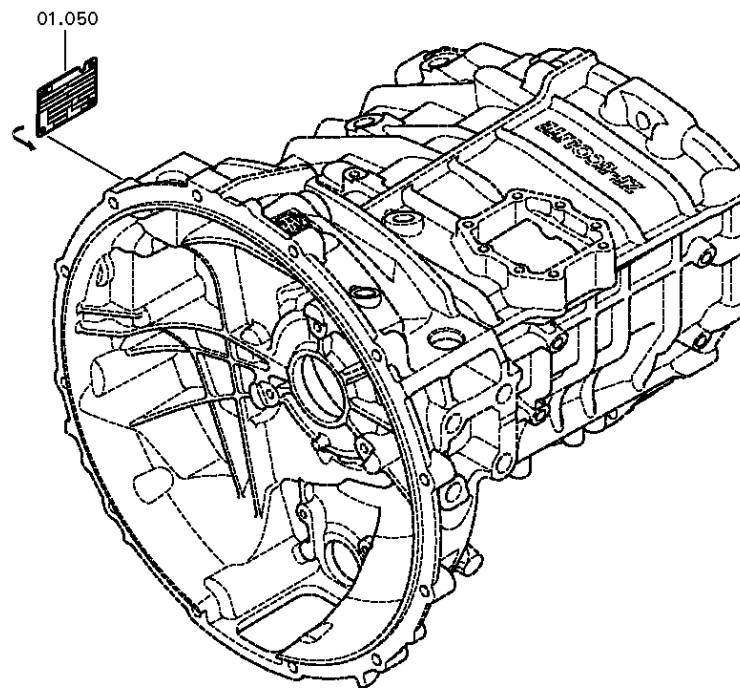
Material number: 1346.001.028

Plant: 150.01.50-1

CLUTCH HOUSING



6 S 800 TO /
CLUTCH HOUSING



Plant

Page 3 from 3

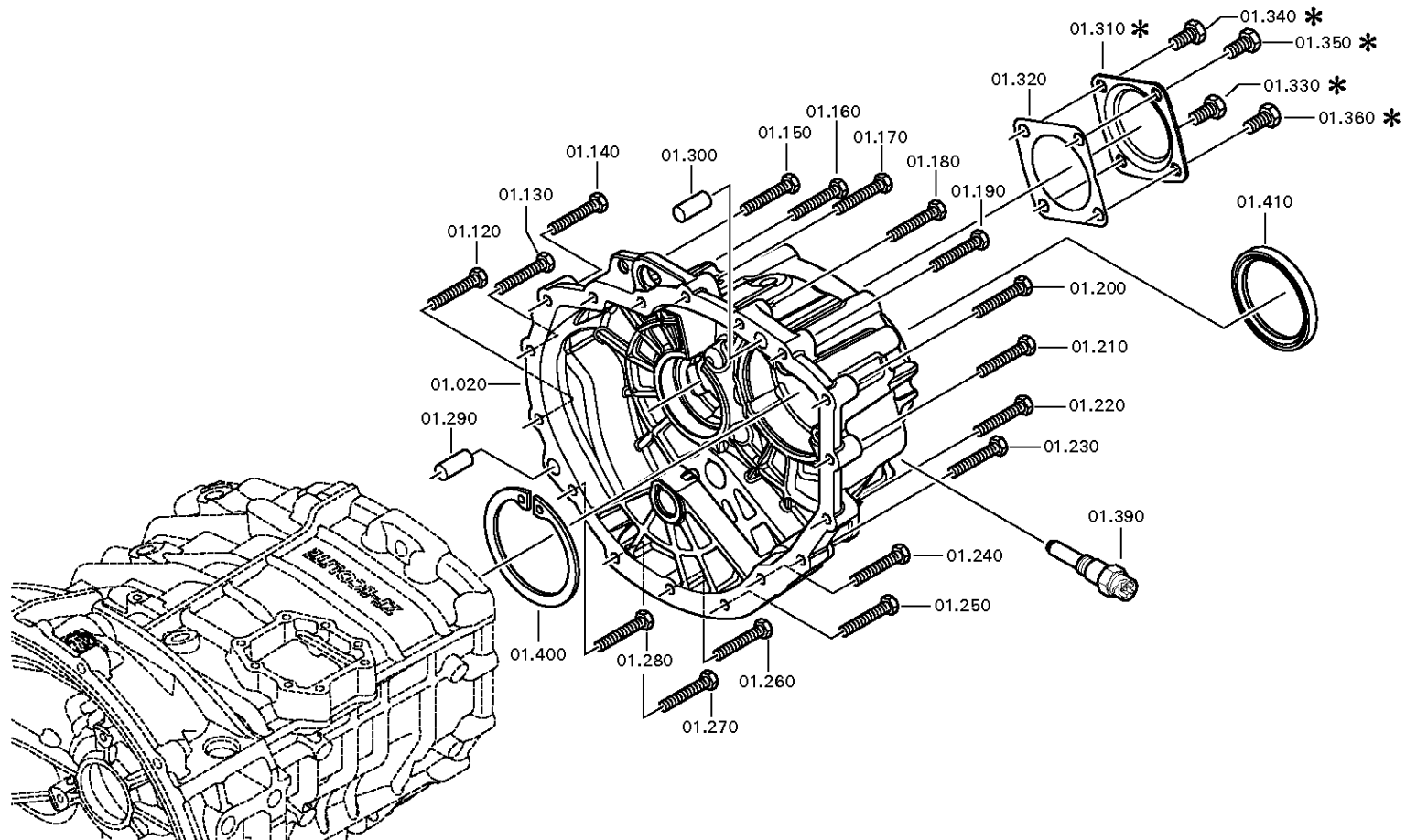
Material number: 1346.001.028

Plant: 150.01.81-1

CLUTCH HOUSING



6 S 800 TO /
CLUTCH HOUSING



Plant

Page 1 from 4

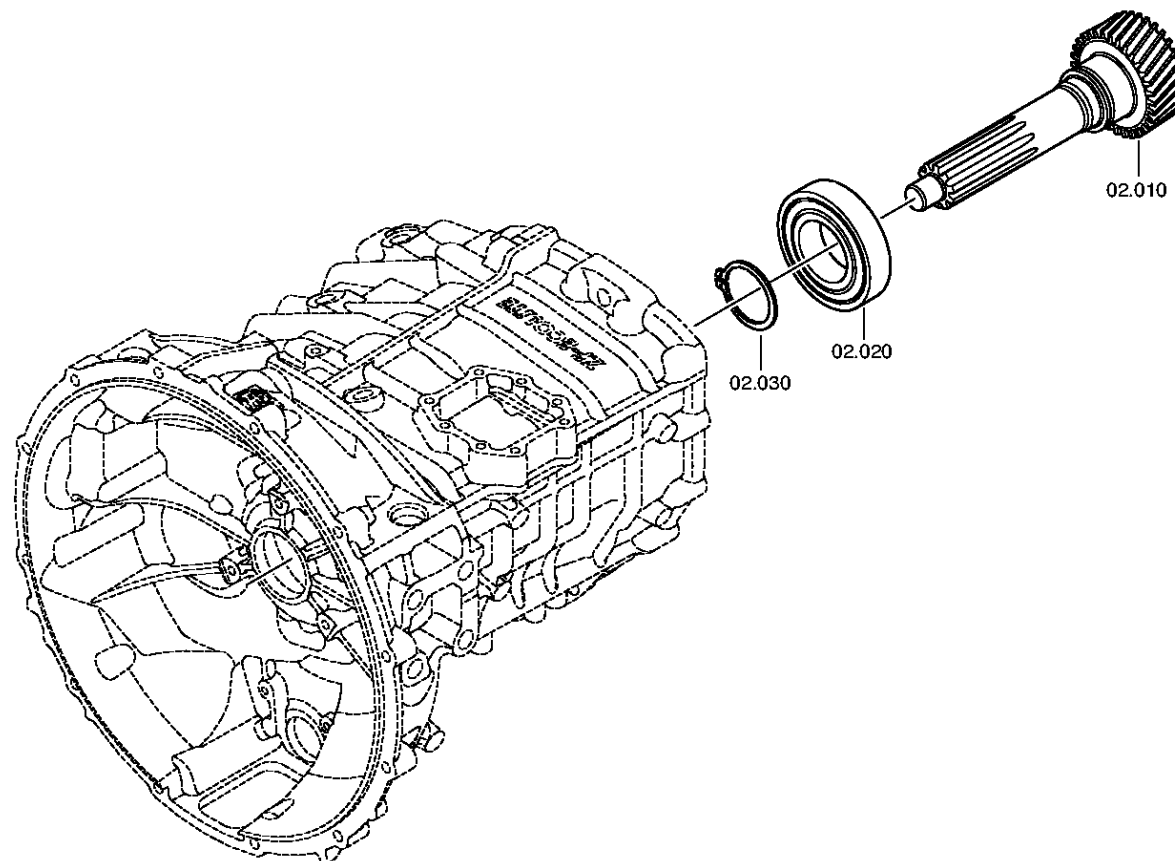
Material number: 1346.001.028

Plant: 150.02.01-1

INPUT SHAFT



6 S 800 TO /
INPUT SHAFT



Plant

Page 2 from 4

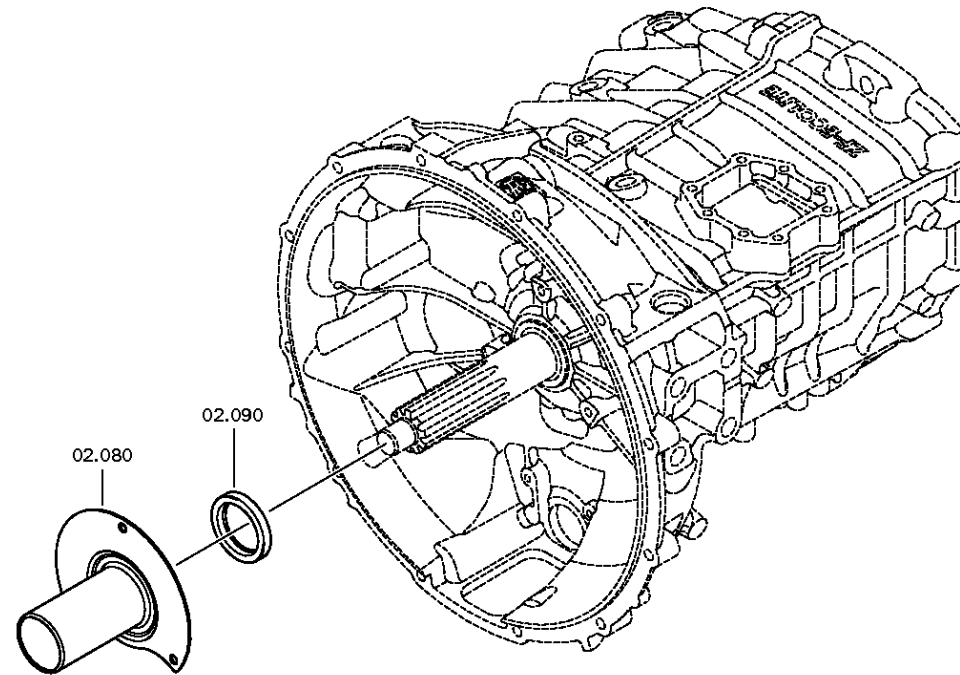
Material number: 1346.001.028

Plant: 150.02.02-1

INPUT SHAFT



6 S 800 TO /
INPUT SHAFT



Plant

Page 3 from 4

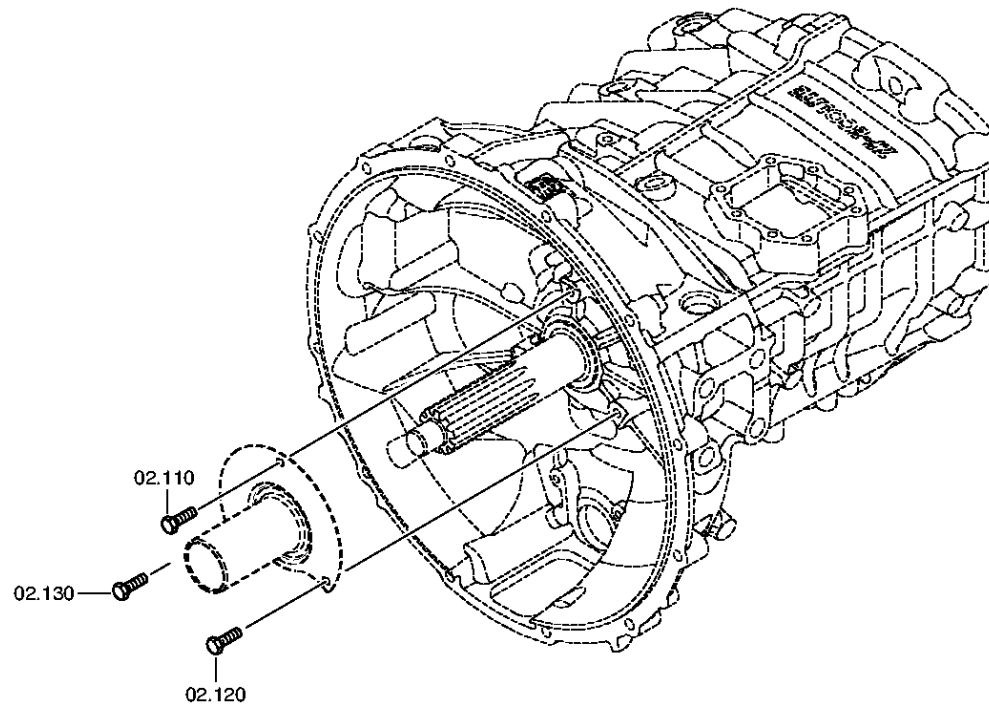
Material number: 1346.001.028

Plant: 150.02.81-1

INPUT SHAFT



6 S 800 TO /
INPUT SHAFT



Plant

Page 4 from 4

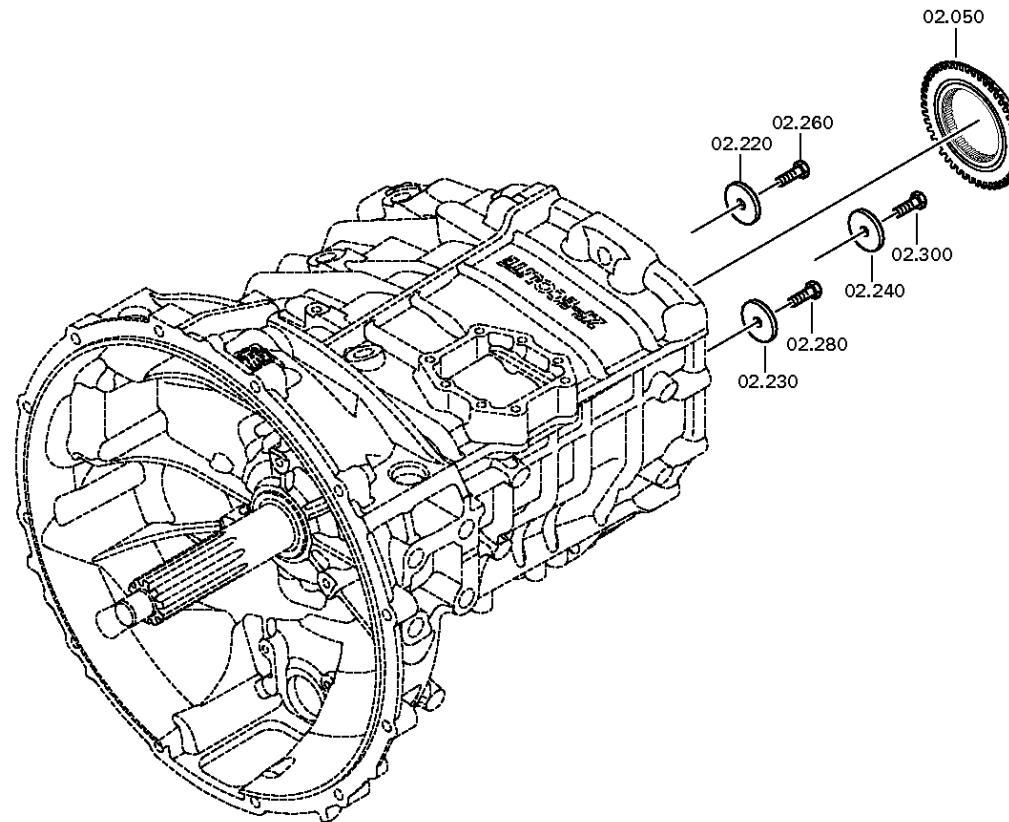
Material number: 1346.001.028

Plant: 150.02.85-1

INPUT SHAFT



6 S 800 TO /
INPUT SHAFT



Plant

Page 1 from 1

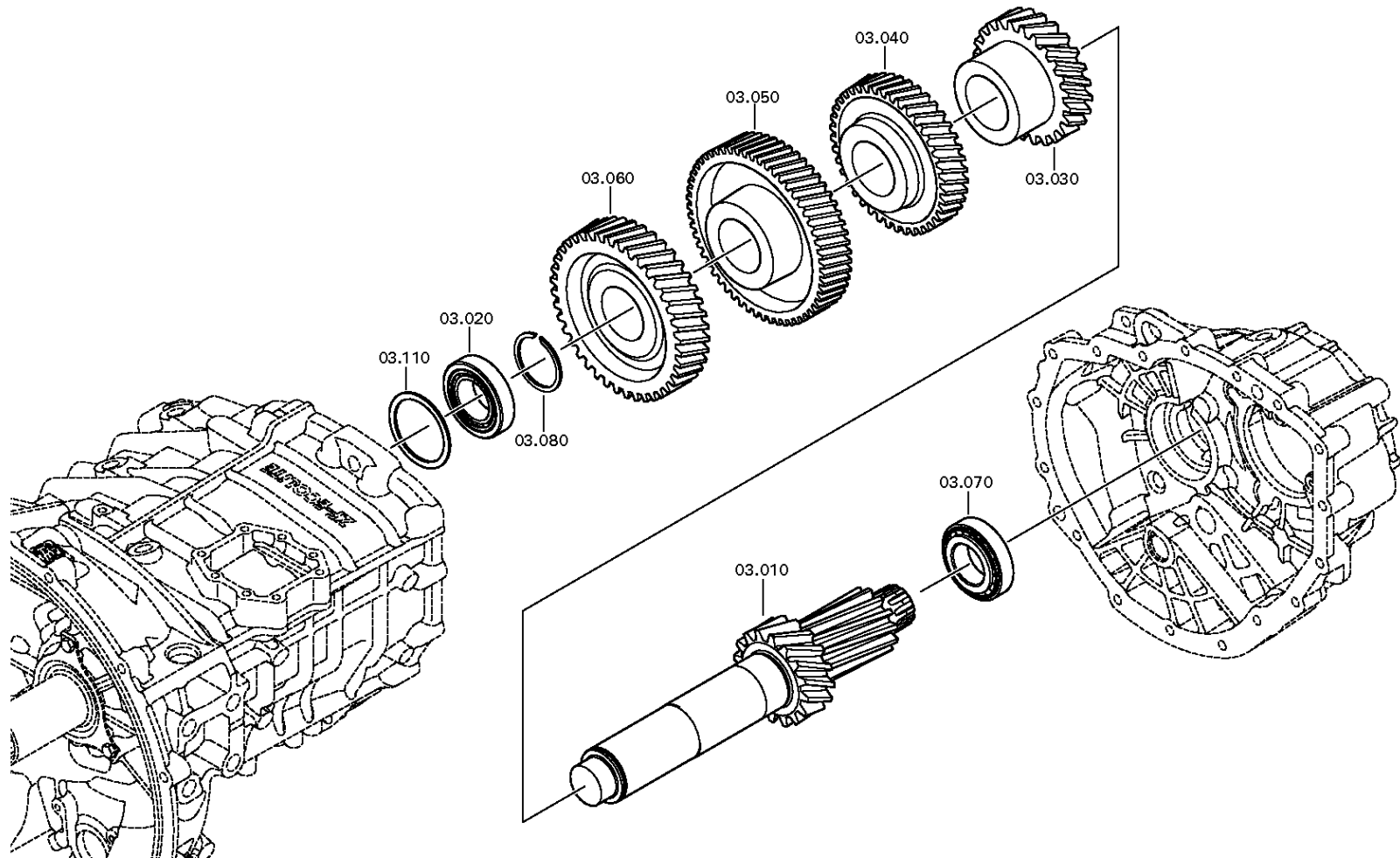
Material number: 1346.001.028

Plant: 150.03.01-1

Material-assembly-group-no: 1346.103.002



6 S 800 TO /
COUNTERSHAFT



Plant

Page 1 from 3

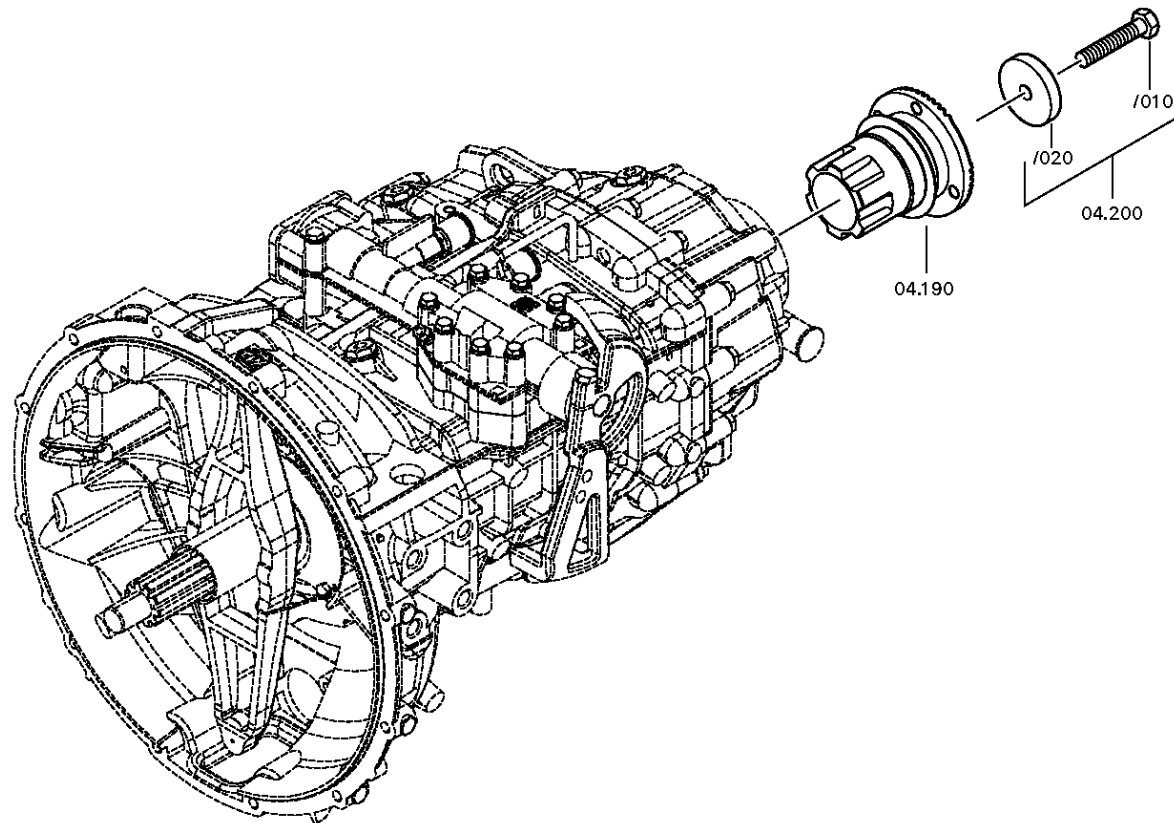
Material number: 1346.001.028

Plant: 150.04.89-1

MAIN SHAFT



6 S 800 TO /
MAIN SHAFT



Plant

Page 2 from 3

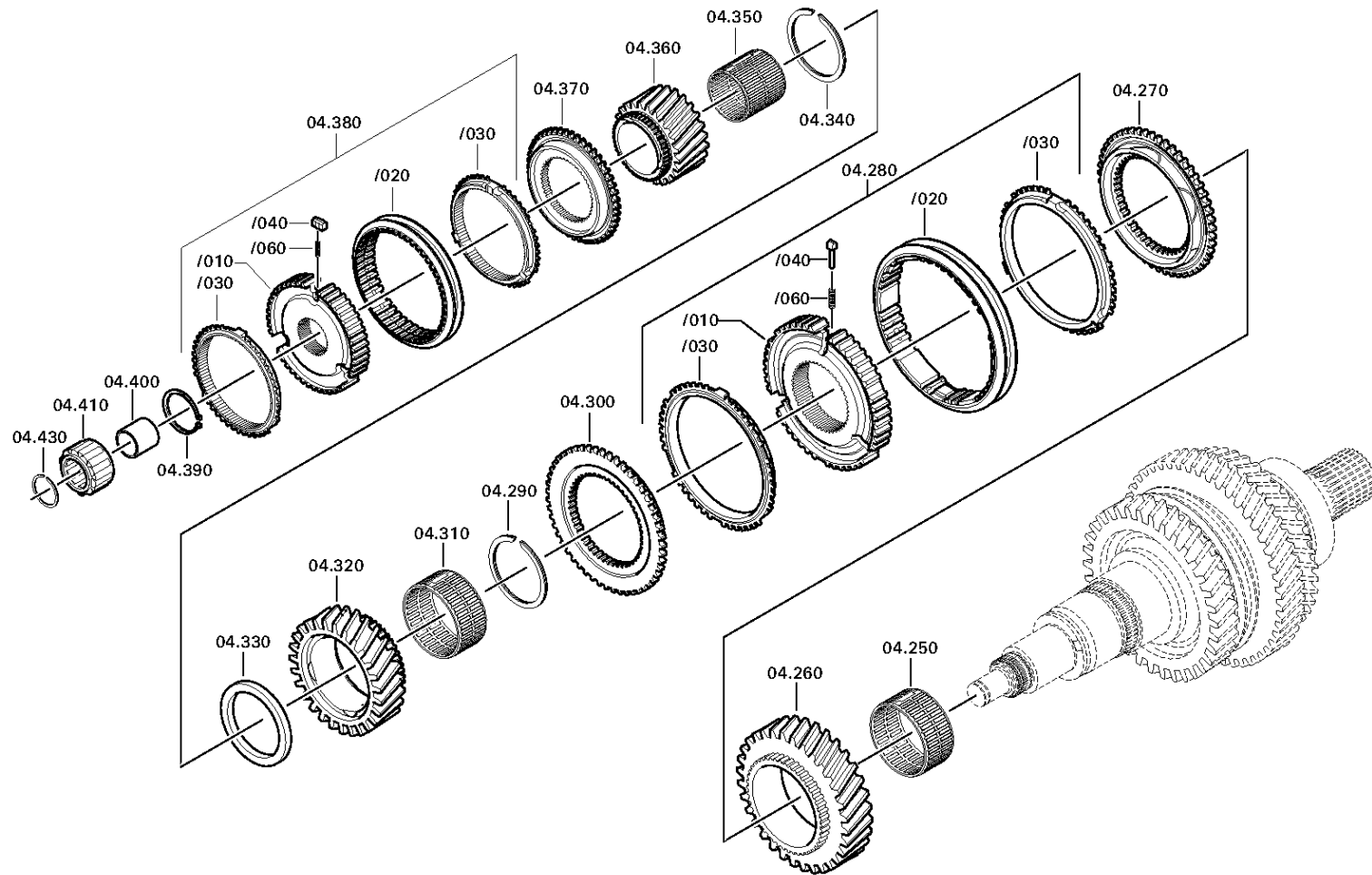
Material number: 1346.001.028

Plant: 150.04.01-1

MAIN SHAFT



6 S 800 TO /
MAIN SHAFT



Plant

Page 3 from 3

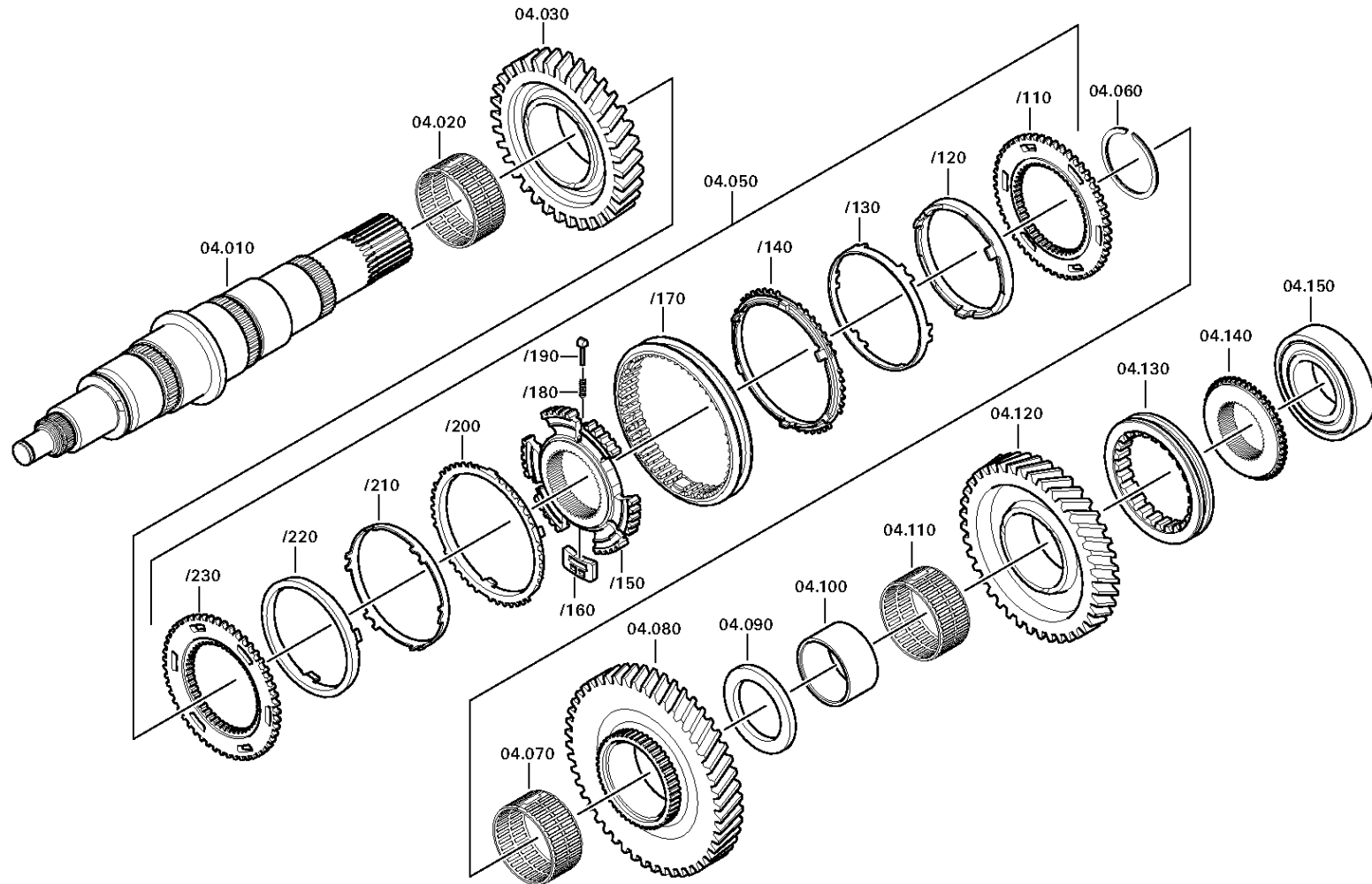
Material number: 1346.001.028

Plant: 150.04.01-2

MAIN SHAFT



6 S 800 TO /
MAIN SHAFT



Plant

Page 1 from 1

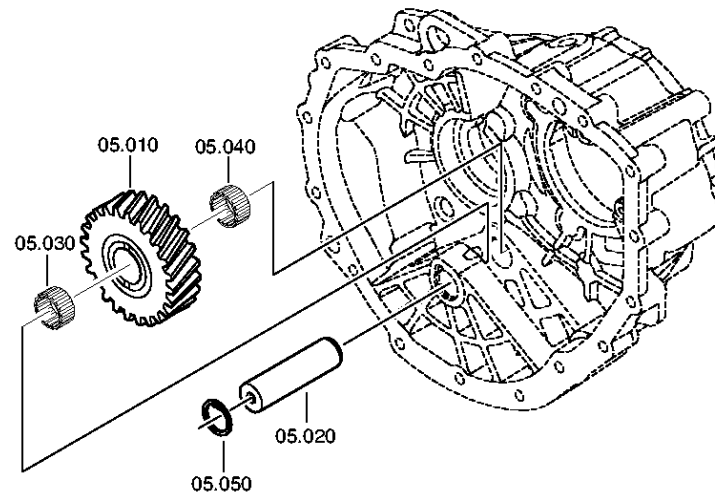
Material number: 1346.001.028

Plant: 150.05.01-1

Material-assembly-group-no: 1346.105.003



6 S 800 TO /
RETURN



Plant

Page 1 from 1

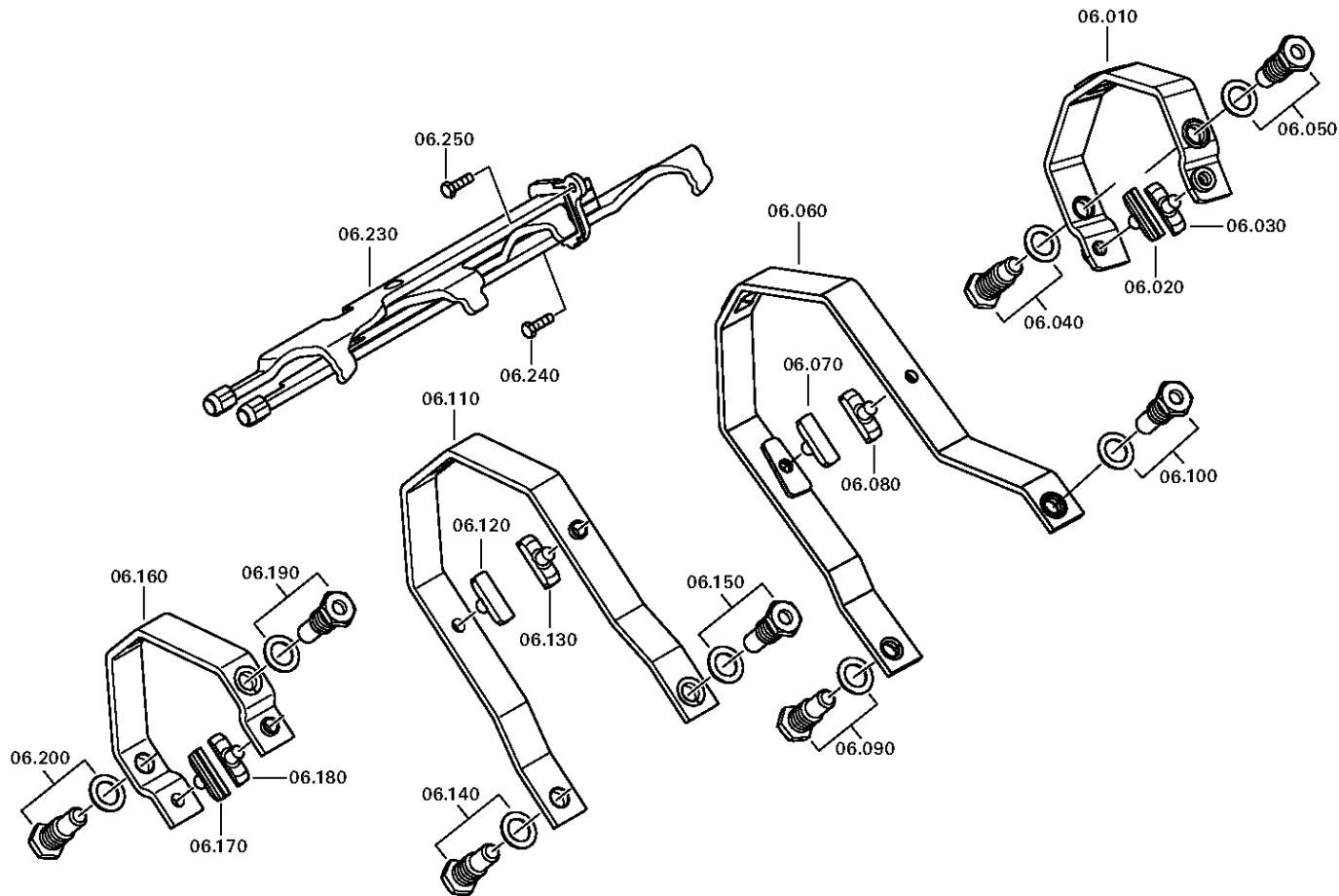
Material number: 1346.001.028

Plant: 150.06.01-1

Material-assembly-group-no: 1346.106.002



6 S 800 TO /
SHIFT SYSTEM



Plant

Page 1 from 1

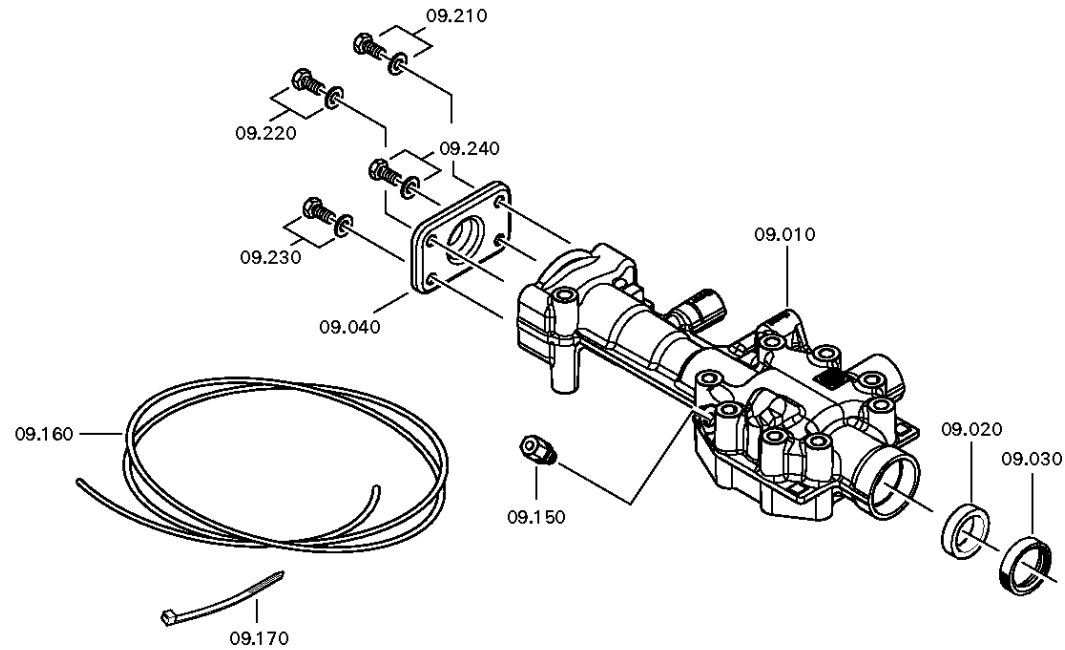
Material number: 1346.001.028

Plant: 150.09.05-1

Material-assembly-group-no: 1346.109.009



6 S 800 TO /
GEAR SHIFT HOUSING



Plant

Page 1 from 1

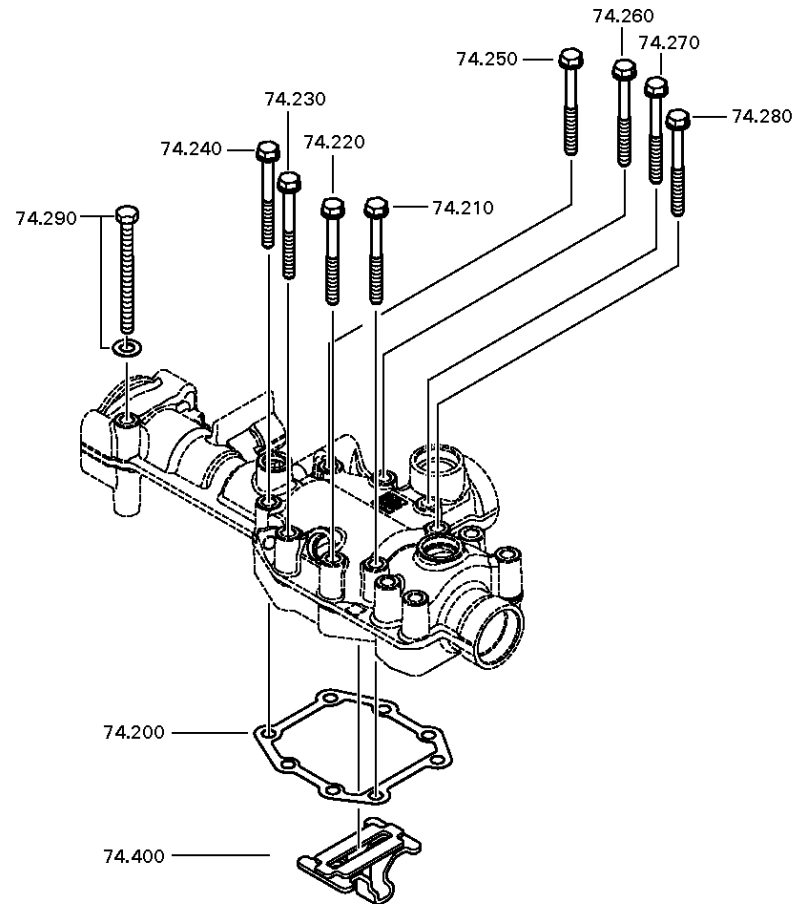
Material number: 1346.001.028

Plant: 150.10.01-1

Material-assembly-group-no: 1346.174.800



6 S 800 TO /
SHIFT TURRET



Plant

Page 1 from 1

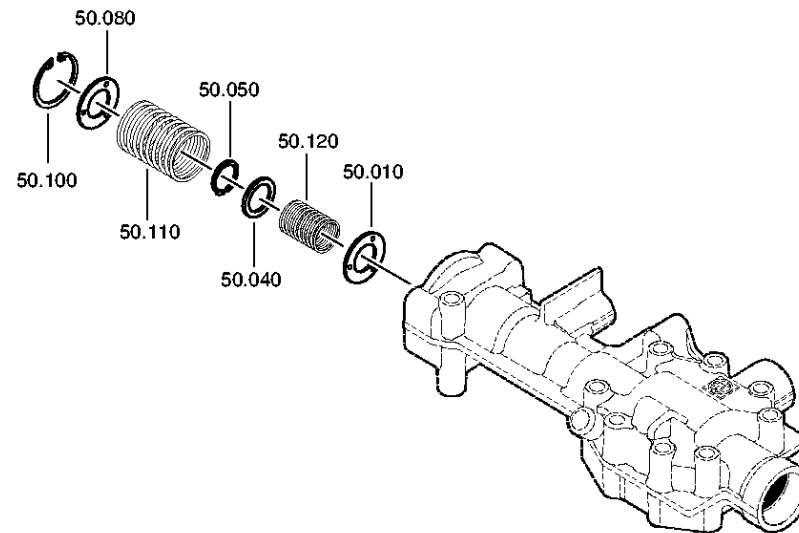
Material number: 1346.001.028

Plant: 150.50.04-1

Material-assembly-group-no: 1346.150.017



6 S 800 TO /
SET OF SPRINGS



Plant

Page 1 from 1

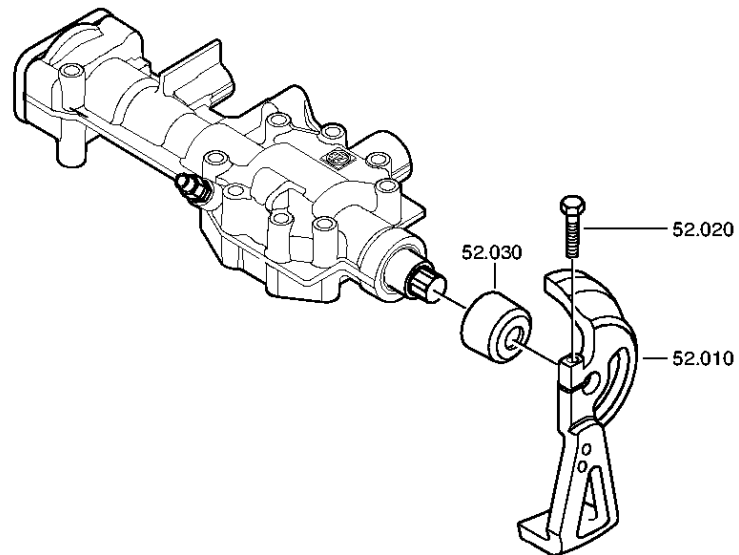
Material number: 1346.001.028

Plant: 150.52.08-1

Material-assembly-group-no: 1346.152.013



6 S 800 TO /
LEVER



Plant

Page 1 from 1

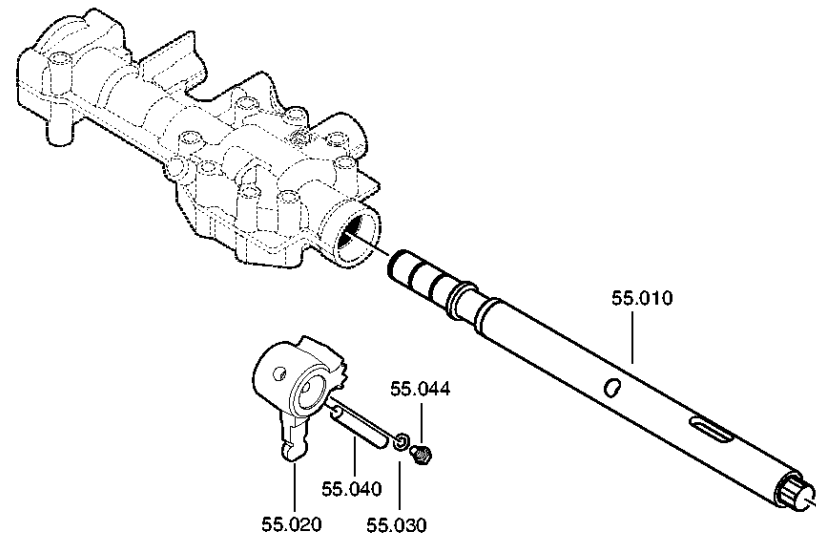
Material number: 1346.001.028

Plant: 150.55.03-1

Material-assembly-group-no: 1346.155.002



6 S 800 TO /
GEARSHIFT SHAFT



Plant

Page 1 from 1

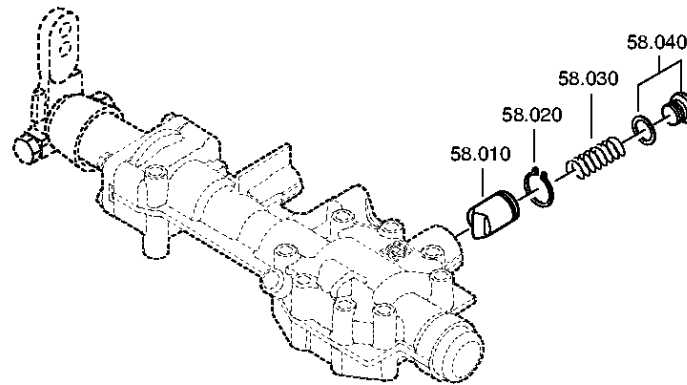
Material number: 1346.001.028

Plant: 150.58.01-1

Material-assembly-group-no: 1346.158.005



6 S 800 TO /
DETENT



Plant

Page 1 from 1

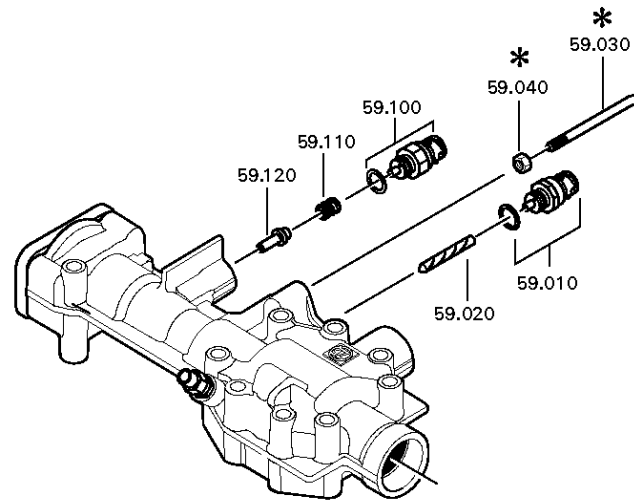
Material number: 1346.001.028

Plant: 150.59.03-1

Material-assembly-group-no: 1346.159.018



6 S 800 TO /
SWITCH



Plant

Page 1 from 1

Material number: 1346.001.028

Plant: 150.93.42-1

Material-assembly-group-no: 6060.168.009



6 S 800 TO /
CLUTCH RELEASE DEVICE

