



Spare Parts Catalog

6 S 1000 TO

Material number: 1346.002.300

Current date: 27.10.2022

ZF Friedrichshafen AG
Hauptverwaltung
80038 Friedrichshafen
Deutschland

Telefon: +49 7541 77-0

Telefax: +49 7541 77-908000

www.zf.com

zuständiges Werk:
Friedrichshafen

Notes relating to the spare parts catalog

Setup of the spare parts catalog

- Cover sheet
- Technical Cover (only in SDM print)
- Overview of figures
- Figure
- Associated parts list
- Next figure
- Associated parts list
- ...

Figure and parts list



Overview of figures

Bildtafel Figure	Sachnummer Product number	Benennung (Description)	Technische Info Technical info	Description (Benennung)	Menge Quantity	Einheit Unit
068.08.17	1316.170.001	AUSLEGER	WL	SHIFT TURRET	1	Stk
068.08.06	1316.170.031	DECKEL	WL*H-H *VM	COVER	1	Stk
068.08.14	1316.170.808	DECKEL	WL*AUSL+GEH*H-H*HF160N	COVER	1	Stk
08	1316.170.441	ANSCHLUSSTEILE	WL*NG-VORB*RG-SCHL*168N *BAJONETT	CONNECTING PARTS	1	Stk

The "gap" indicates that there is no separate graphics panel (poster) for this assembly
The parts of this assembly are shown with the same mid-section number on the figure

1 Positions and subpositions

Pos.	Sachnummer Product number	Benennung (Description)	Technische Info Technical info	Description (Benennung)	Menge Quantity	Einheit Unit
0370	1315.201.054	RUECKLAUFBOLZEN	KPL.16S151*SG*L= 79	REV.IDLER SHAFT	1	Stk
/0120	0631.329.293	SPANNSTIFT		SLOT. PIN	1	Stk

Positions marked with "/" are the individual items of a completion
For example: Position 0370 contains a centering pin with the position /0120

2 Combinations with standardized parts

Pos.	Sachnummer Product number	Benennung (Description)	Technische Info Technical info	Description (Benennung)	Menge Quantity	Einheit Unit
0630		VERSCHL.SCHR.		SCREW PLUG	1	Stk
	0636.302.067	VERSCHL.SCHR.		SCREW PLUG	1	Stk
	0634.801.249	DICHTRING	A 26 X 31	SEALING RING	1	Stk

The parts list shows the components included in the combination of standardized parts

3 Depiction of position/item number on the figure and in the parts list

01.620 - on the figure 01 relates to the assembly in which the position is included. Due to program-related reasons, it is shown on the figure.

0620 - in the parts list

Pos.	Sachnummer Product number	Benennung (Description)	Technische Info Technical info	Description (Benennung)	Menge Quantity	Einheit Unit
0620	0732.040.736	DRUCKFEDER		COMPRESSION SPRING	1	Stk

4 *-Positions

Positions marked with an * are optional i.e. inclusion in the parts list is not mandatory.
The following note is shown on the figure

je nach Stücklistenausführung
depending on spec. number
*
suivant la nomenclature
secondo la distinta base

5 Parts, dotted display

Parts with dotted display on the figure are only used for orientation of other parts

Technical Cover

Page 1 from 3

Material number: 1346.002.300



6 S 1000 TO /

Pos.	Information	Amendment number
001	Use case -----	
002	Customer Tata Daewoo	
003	City Jeollabuk-do	
004	DUNS	
005	Vehicle / Apparatus -----	
006	Sales Name NOVUS	
007	Manufacturer Tata Daewoo	
008	Engineering Name	
009	Product Use TRUCK	
010	Vehicle/Hardware Type DISTRIBUTION TRUCK	
011	SOP	
012	Engine	
013	Sales Designation DL06	
014	Manufacturer Doosan Engine Co., Ltd	
015	Drivetrain type DIESEL	
016	Eng.Displ. 5900 cm3	
017	Cylinder 6	
018	Nom. power 206 kW	
019	RPM at nom. power 2500 1/min	
020	Nom. torque 980 Nm	
021	RPM at nom. torque 1400 1/min	
022	Classification use case -----	
023	DESIGNATION, CLUTCH 395	
024	MANUFACTURER, CLUTCH VALEO	
025	TOTAL NUMBER OF WHEELS 4	
026	NUMBER OF DRIVING WHEELS 2	
027	DYNAMIC TYRE RADIUS 410 mm	
028	REAR AXLE RATIO 3.9	
032	PERMISS.GROSS VEHICLE WEIGHT 12.8 t	
034	APPROVAL NOTE 1 FIRST FITTING CHECK CARR.OUT	
036	Product description -----	
037	INSTALLATION POS TRANSMISSION HORIZONTAL LEFT	
038	TRANSMISSION ATTACHMENT FLANGE-MOUNTED	

Technical Cover

Page 2 from 3

Material number: 1346.002.300



6 S 1000 TO /

Pos.	Information	Amendment number
039	CO2-FAMILY XXX	
040	CO2-CERTIFICATE XXX	
041	RATIO, BOTTOM GEAR 6.75	
042	RATIO, TOP GEAR .78	
043	SET OF RATIOS SG	
044	RATIO, 1ST GEAR 6.75	
045	RATIO, 2ND GEAR 3.6	
046	RATIO, 3RD GEAR 2.13	
047	RATIO, 4TH GEAR 1.39	
048	RATIO, 5TH GEAR 1	
049	RATIO, 6TH GEAR .78	
050	RATIO, 1ST GEAR REVERSE 6.06	
051	DESIGN, SHIFT SYSTEM TURNING SHAFT	
052	POSITION, GEAR SHIFT SYSTEM HORIZONTAL LEFT	
053	DESIGN SERVO-CONTROL WITH	
054	NOTE ON SERVO-CONTROL ZF-SERVOSHIFT INTEGRATED	
055	TYPE OF SHIFT CONTROL CONTROL CABLE	
056	SELECTION PATTERN VARIANT GEAR SHIFT PATTERN 1	
057	REFERENCE LENGTH INPUT SHAFT 107 mm	
058	STANDARD TYPE INPUT SHAFT SAE	
059	NUMBER OF WEDGES INPUT SHAFT 10	
060	VERSION OF INPUT SHAFT FORM C	
061	NOMINAL DIAMETER INPUT SHAFT 1.75 in	
062	DIAMETER, JOURNAL, INPUT SHAFT 25 mm	
063	TYPE FIT SPIGOTS INPUT SHAFT F7	
064	DIAMETER SHAFT OF INPUT SHAFT 44 mm	
068	DESIGN,CONN., CLUTCH HOUSING SAE 2	
069	VERSION OF CLUTCH HOUSING INTEGRATED	
071	WRENCH SIZE, RELEASE FORK 75 mm	
076	DESIGN RELEASE BEARING WITHOUT GROOVE	
079	REF.LENGTH,RELEASE BEAR.FLAN 15 mm	
080	DIAMETER, RELEASE FLANGE 57 mm	
081	OUTER DIA. OUTPUT FLANGE RA 150 mm	

Technical Cover

Page 3 from 3

Material number: 1346.002.300



6 S 1000 TO /

Pos.	Information	Amendment number
082	NUMBERS OF BORES OUTPUT FL. RA 4	
083	BORE DIA. OUTPUT FLANGE RA 13 mm	
089	REF. LENGTH OUTPUT FLANGE RA 709 mm	
090	DIMENSION SHIFT TURRET DIST. 272 mm	
091	MEAS. LOC. SHIFT TURRET DIST. SHIFT LEVER-LOCATION	
106	SPRING ARRANGEMENT Q1	
107	TOOLING SET OF SPRINGS W014	
109	SPRING FORCE DETENT PLUNGER RG 88.000 N	
110	SPRING FORCE MULTI STOP RG 25 N	
111	SWITCH, REVERSE GEAR y	
112	DESIGN, RG (REV.GEAR) SWITCH CLOSING	
114	DESIGN, CONNECTION, RG SWITCH DIN BAYONET	
116	PROT.CAP SWITCH, REVERSE GEAR y	
123	SWITCH, NEUTRAL GEAR y	
124	DESIGN,NG(NEUTRAL GEAR)SWITCH OPENING SWITCH	
126	DESIGN, CONNECTION, NG SWITCH DIN BAYONET	
128	PROT.CAP SWITCH, NEUTRAL GEAR y	
134	VER. TRANSMISSION VENTILATION PLUG CONNECTION	
136	VERSION PULSE SENSOR SFA H68 WITHOUT GROOVE	
137	NO. PULSES PULSE SENSOR SFAH68 6 IMP/U	
138	PROT.CAP PULSE SENSOR SFA H68 n	
142	OIL CAPACITY, GEARBOX 9.3 dm3	
144	OIL GRADE PERMISSIBLE ACC. TO TE-ML02	
145	COLOR NOT	
148	CODING OUTER CONSERVATION KA2	
149	SCOPE OUTER CONSERVATION T	
150	CODING INNER CONSERVATION KI1	
151	CONSERVATION SPECIFICATION ZFN 916	
174	Alias ID -----	
175	Tata Daewoo 3321027660	

Assembly group overview

Page 1 from 1

Material number: 1346.002.300



6 S 1000 TO /

Picture	Pos.	Material number	Name	Quantity	Amend. no.	Techn. Info.
150.001.010-1	110	1346.101.068	CLUTCH HOUSING	1		
150.01.50-1	112	1346.101.060	TYPE PLATE	1		
150.01.80-1	120	1346.101.841	OUTPUT HOUSING	1		
150.02.03-1	130	1346.102.025	INPUT SHAFT	1		
150.02.02-1	140	1346.102.007	GUIDE TUBE	1		
150.02.81-1	150	1346.102.803	GUIDE TUBE	1		
150.02.82-1	160	1346.102.806	INPUT SHAFT	1		
150.03.01-1	920	1346.103.009	COUNTERSHAFT	1		
150.04.80-1	210	1346.104.810	MAIN SHAFT	1		
150.04.03-1	910	1346.104.012	MAIN SHAFT	1		
150.05.01-1	220	1346.105.001	RETURN	1		
150.06.01-1	230	1346.106.007	SHIFT SYSTEM	1		
150.009.013-1	10	1346.109.022	GEAR SHIFT HOUSING	1		
150.10.01-1	270	1346.174.800	SHIFT TURRET	1		
150.18.02-1	300	1346.108.007	SPEEDOMETER COVER	1		
150.18.80-1	310	1346.108.800	SPEEDOMETER COVER	1		
150.050.006-1	90	1346.150.016	SET OF SPRINGS	1		
150.52.21-1	40	1346.152.029	LEVER	1		
150.55.01-1	30	1346.155.007	GEARSHIFT SHAFT	1		
150.56.01-1	50	1346.156.001	SELECTOR CONNECTION	1		
150.57.01-1	60	1346.157.007	PNEUMATIC SERVO UNIT	1		
150.57.80-1	70	1346.157.800	PNEUMATIC SERVO UNIT	1		
150.59.01-1	80	1346.159.008	SWITCH	1		
150.93.42-1	330	6060.168.009	CLUTCH RELEASE DEVICE	1		

Picture

Page 1 from 3

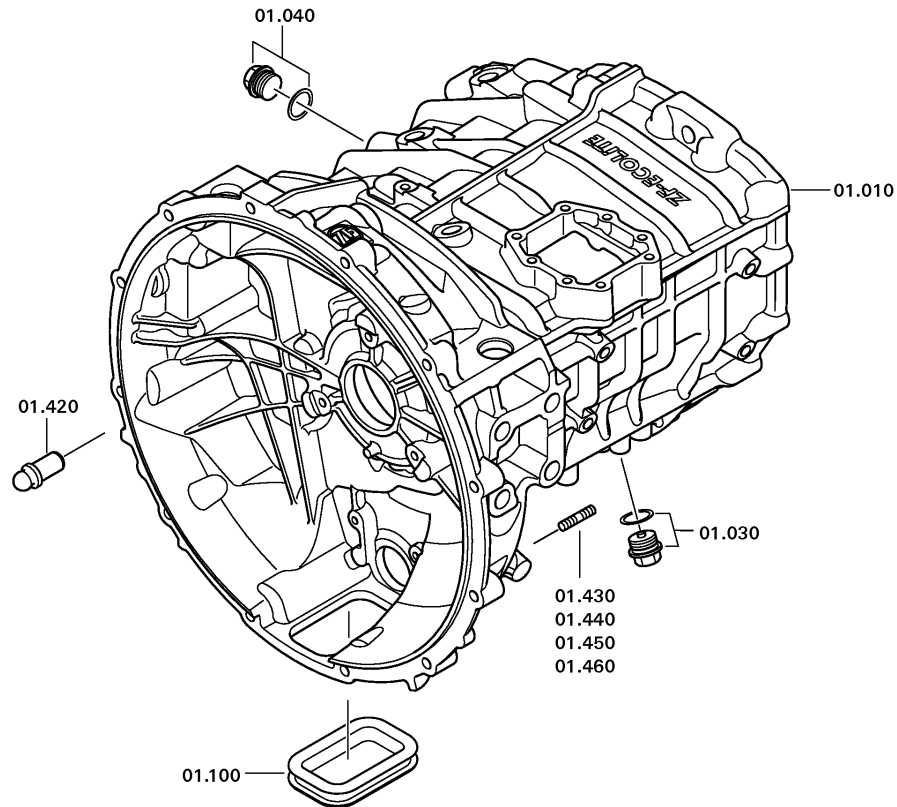
Material number: 1346.002.300

Picture: 150.001.010-1

CLUTCH HOUSING



6 S 1000 TO /
CLUTCH HOUSING



Picture

Page 2 from 3

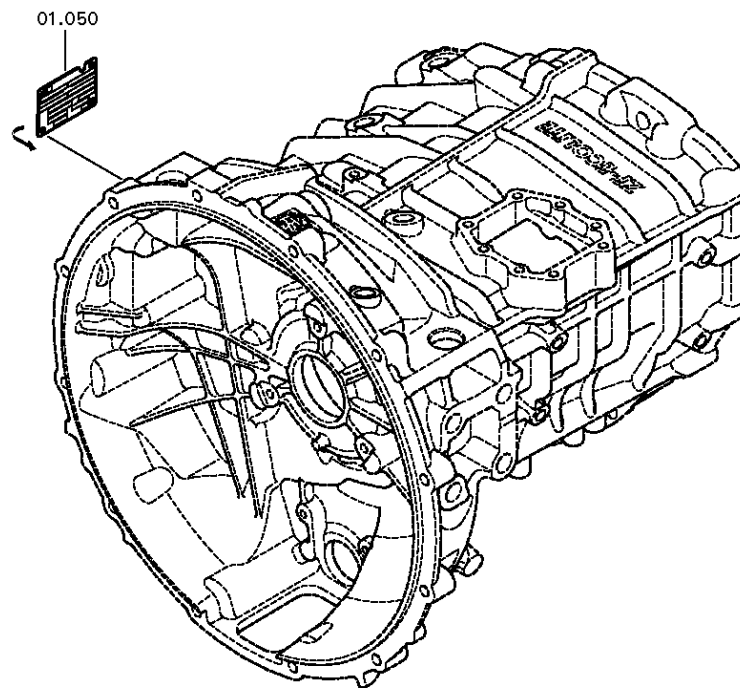
Material number: 1346.002.300

Picture: 150.01.50-1

CLUTCH HOUSING



6 S 1000 TO /
CLUTCH HOUSING



Picture

Page 3 from 3

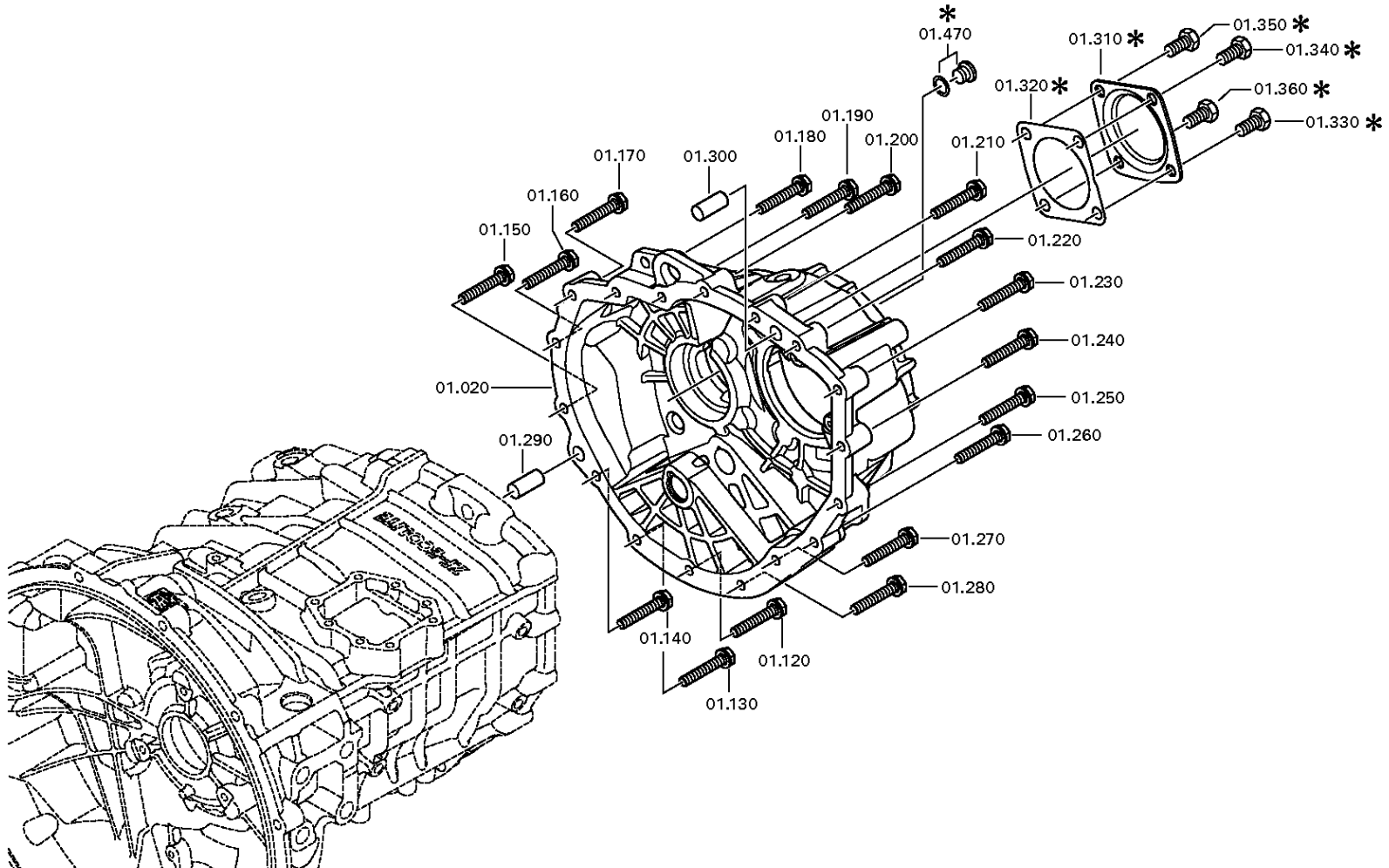
Material number: 1346.002.300

Picture: 150.01.80-1

CLUTCH HOUSING



6 S 1000 TO /
CLUTCH HOUSING



Picture

Page 1 from 4

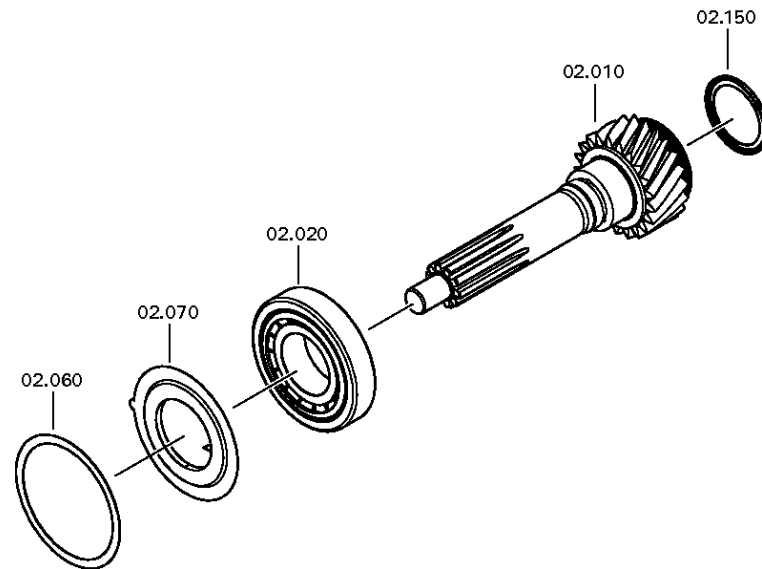
Material number: 1346.002.300

Picture: 150.02.03-1

INPUT SHAFT



6 S 1000 TO /
INPUT SHAFT



Picture

Page 2 from 4

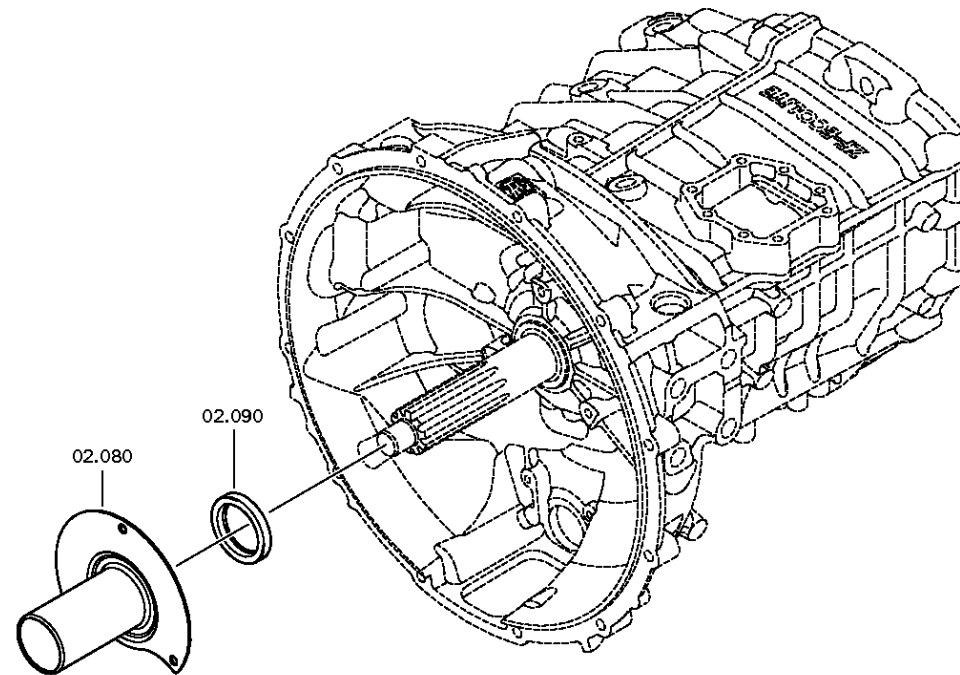
Material number: 1346.002.300

Picture: 150.02.02-1

INPUT SHAFT



6 S 1000 TO /
INPUT SHAFT



Picture

Page 3 from 4

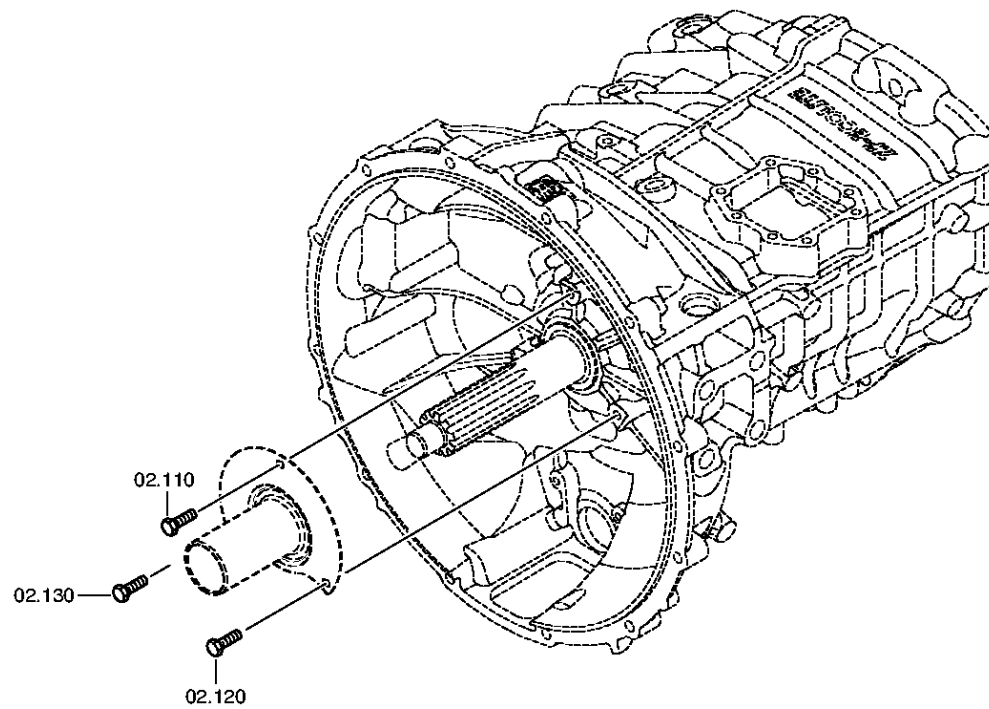
Material number: 1346.002.300

Picture: 150.02.81-1

INPUT SHAFT



6 S 1000 TO /
INPUT SHAFT



Picture

Page 4 from 4

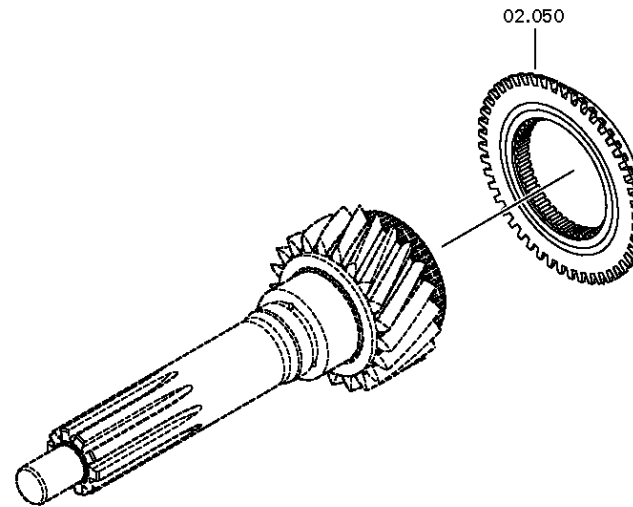
Material number: 1346.002.300

Picture: 150.02.82-1

INPUT SHAFT



6 S 1000 TO /
INPUT SHAFT



Picture

Page 1 from 1

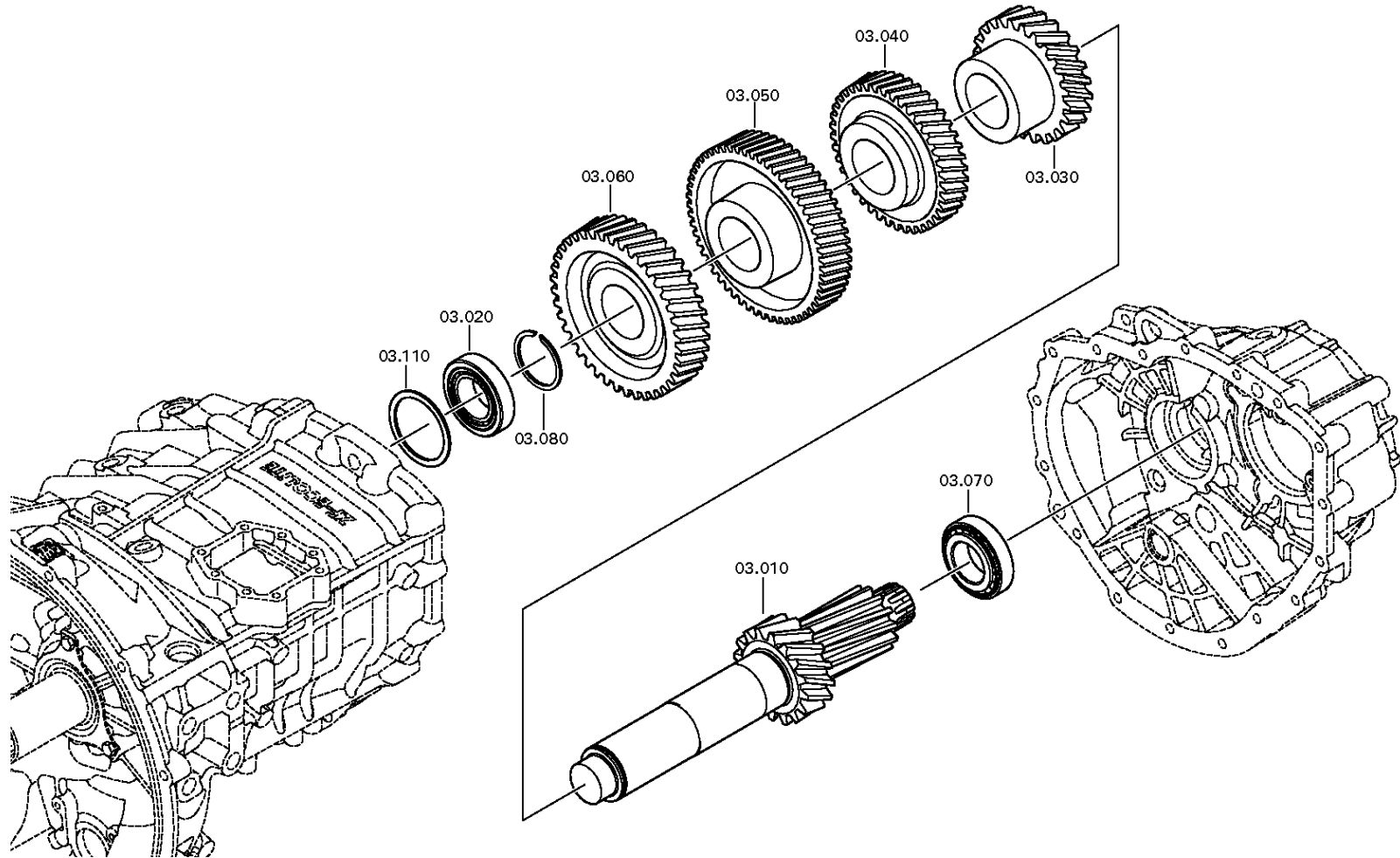
Material number: 1346.002.300

Picture: 150.03.01-1

Material-assembly-group-no: 1346.103.009



6 S 1000 TO /
COUNTERSHAFT



Picture

Page 1 from 3

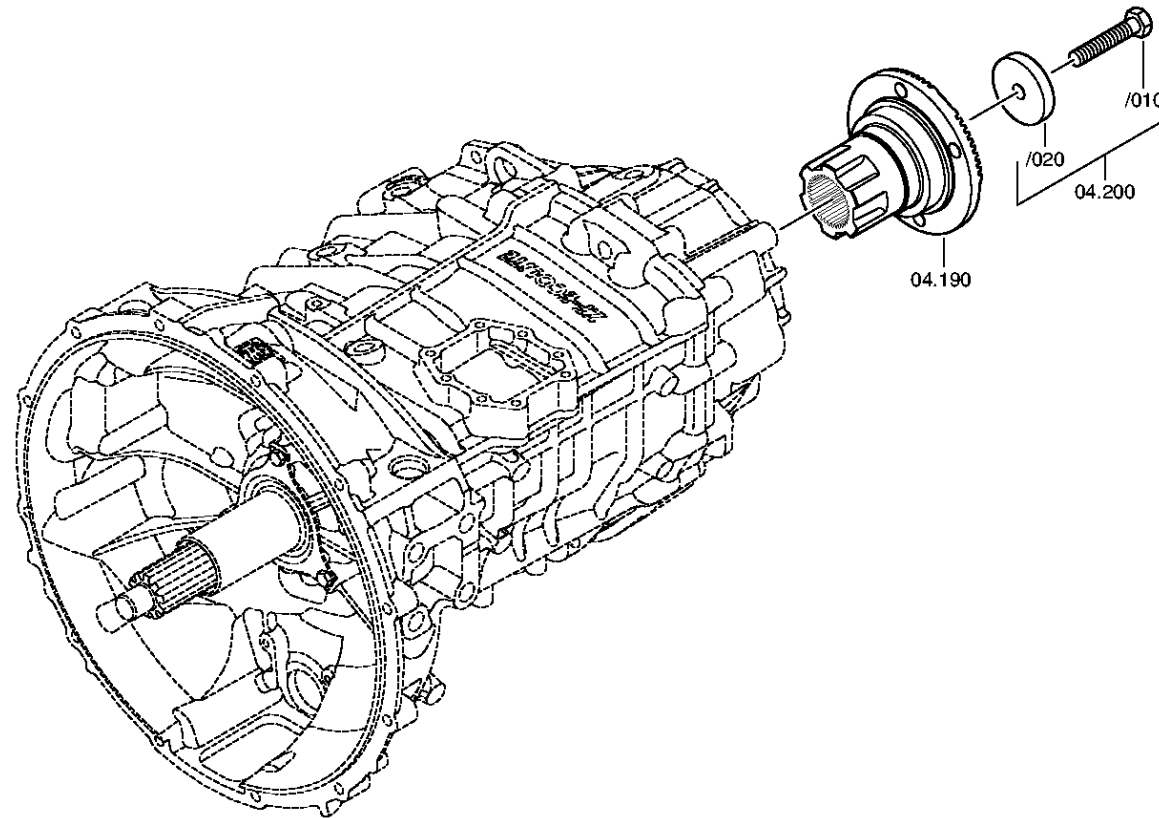
Material number: 1346.002.300

Picture: 150.04.80-1

MAIN SHAFT



6 S 1000 TO /
MAIN SHAFT



Picture

Page 2 from 3

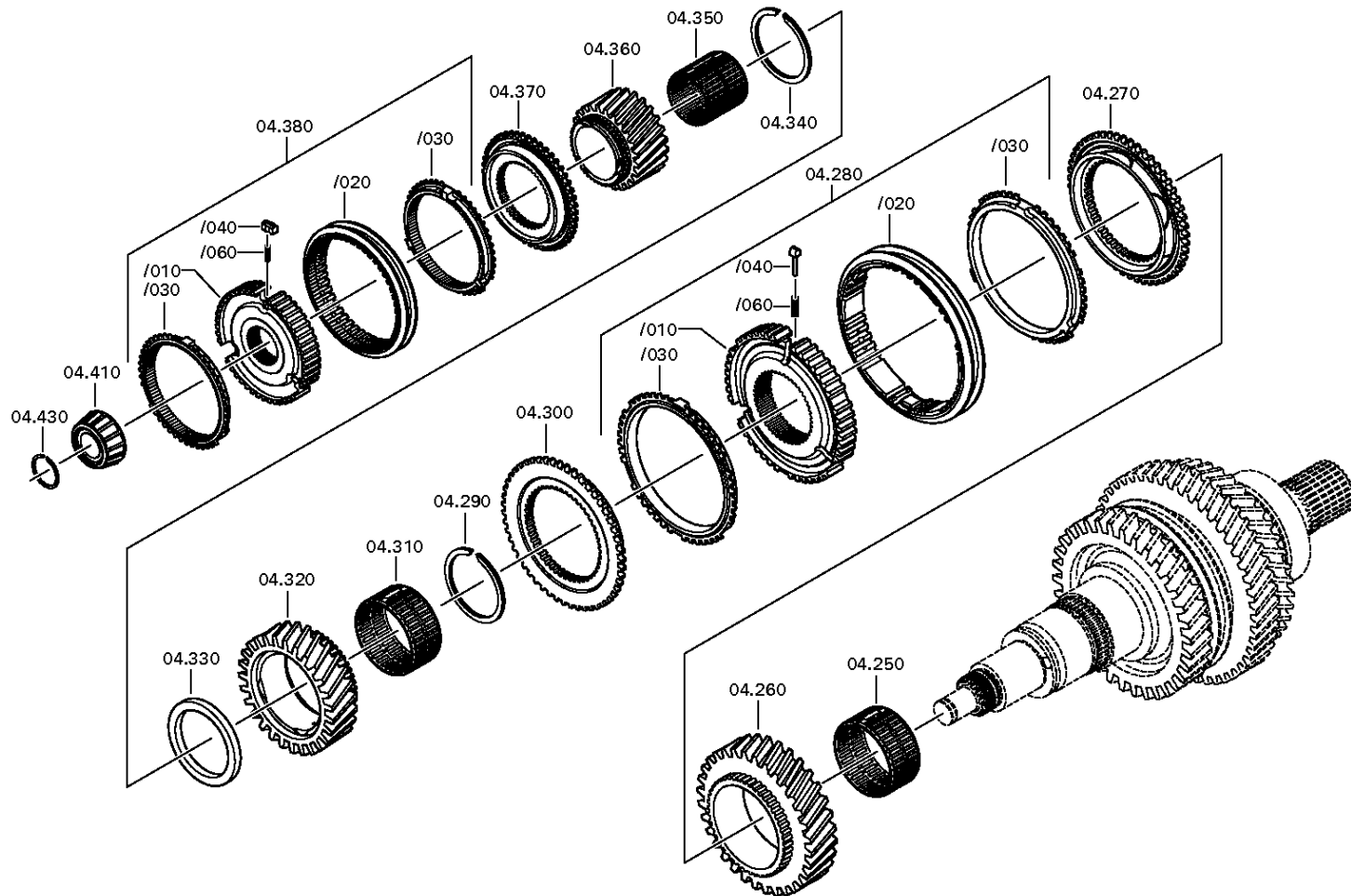
Material number: 1346.002.300

Picture: 150.04.03-1

MAIN SHAFT



6 S 1000 TO /
MAIN SHAFT



Picture

Page 3 from 3

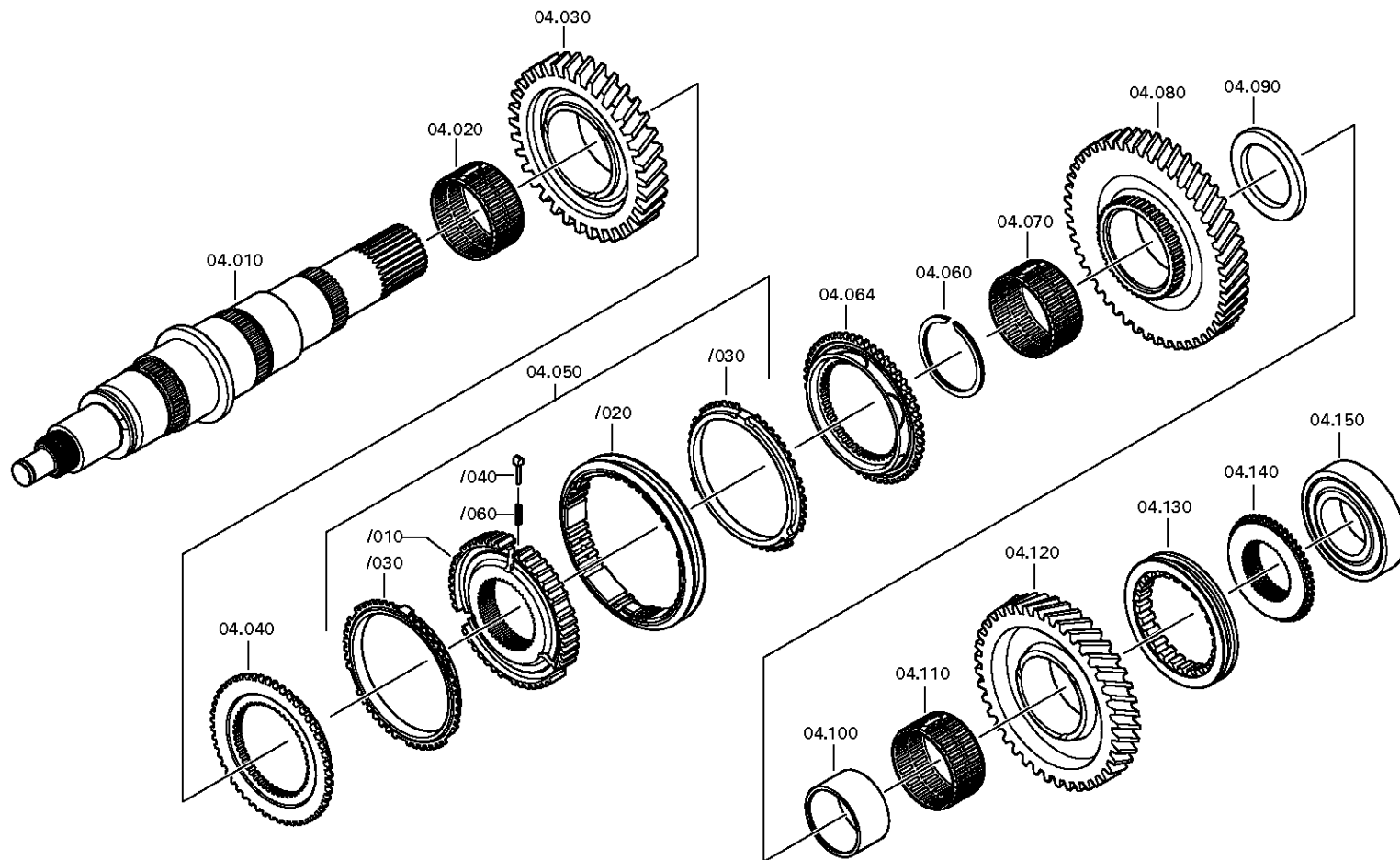
Material number: 1346.002.300

Picture: 150.04.03-2

MAIN SHAFT



6 S 1000 TO /
MAIN SHAFT



Picture

Page 1 from 1

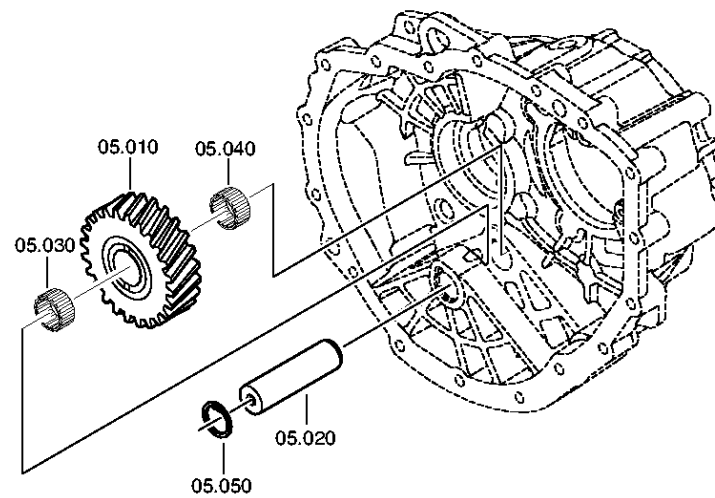
Material number: 1346.002.300

Picture: 150.05.01-1

Material-assembly-group-no: 1346.105.001



6 S 1000 TO /
RETURN



Picture

Page 1 from 1

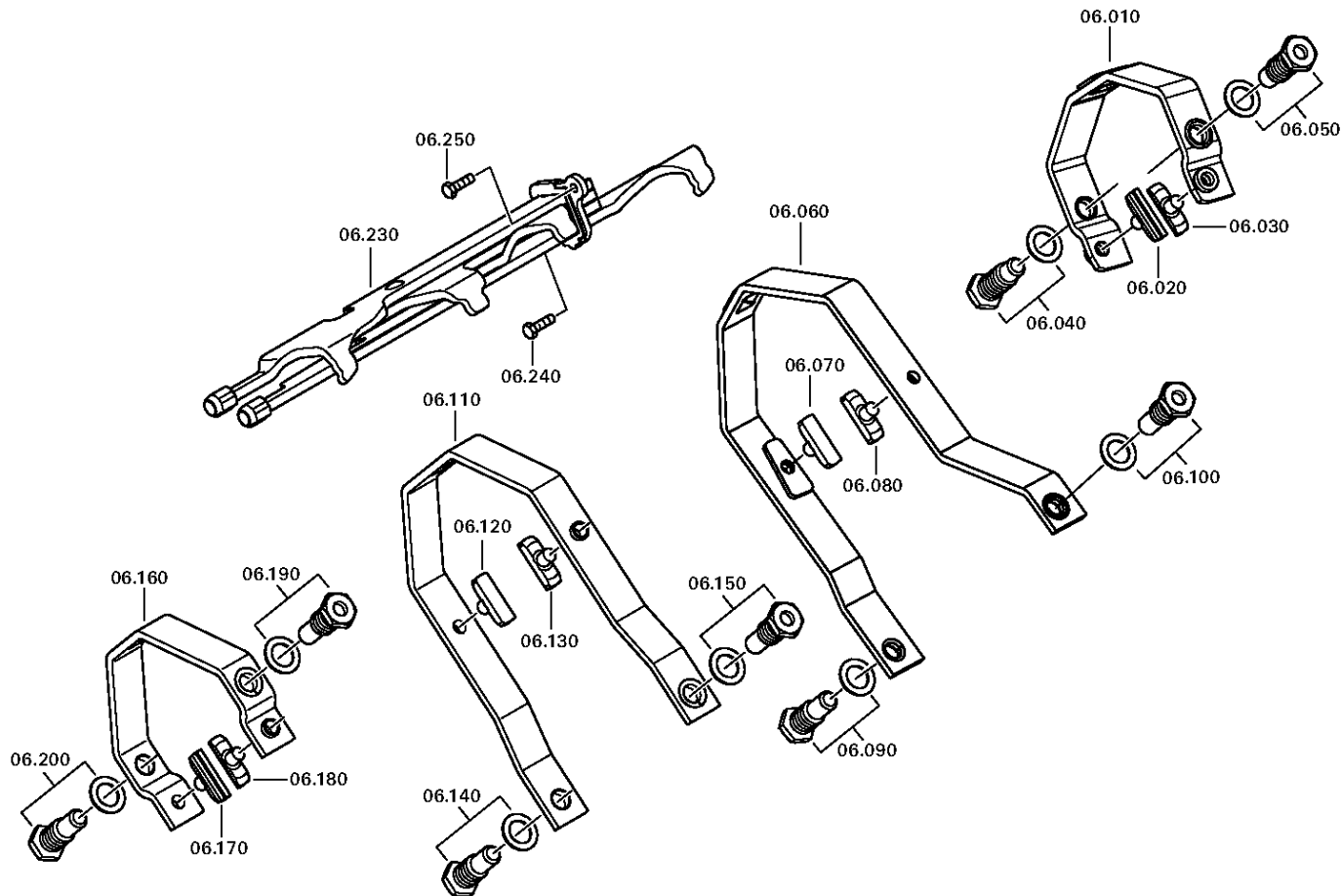
Material number: 1346.002.300

Picture: 150.06.01-1

Material-assembly-group-no: 1346.106.007



6 S 1000 TO /
SHIFT SYSTEM



Picture

Page 1 from 1

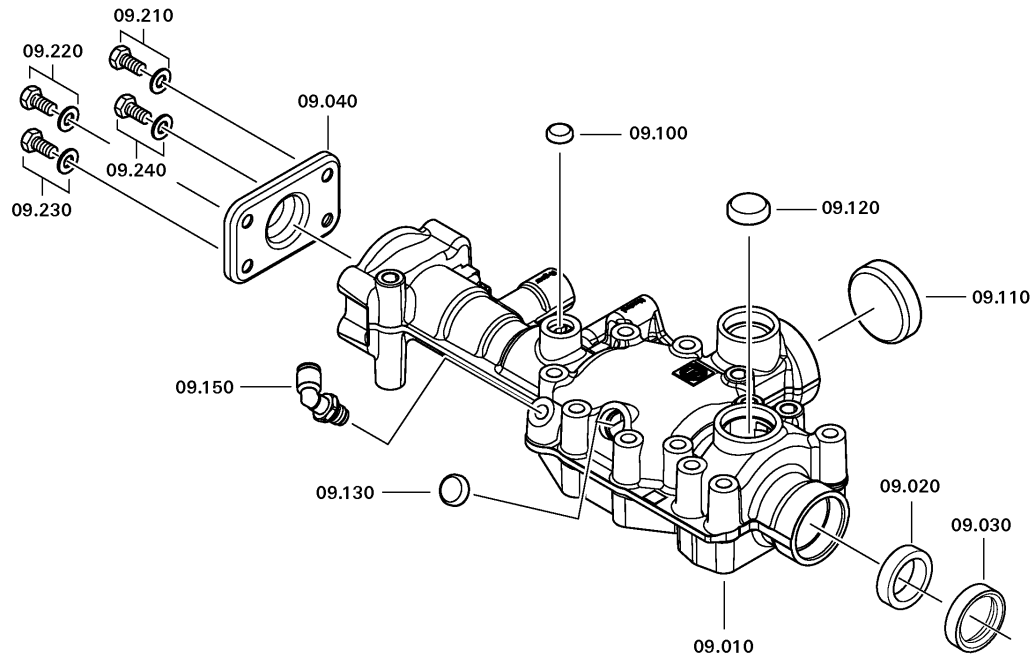
Material number: 1346.002.300

Picture: 150.009.013-1

Material-assembly-group-no: 1346.109.022



6 S 1000 TO /
GEAR SHIFT HOUSING



Picture

Page 1 from 1

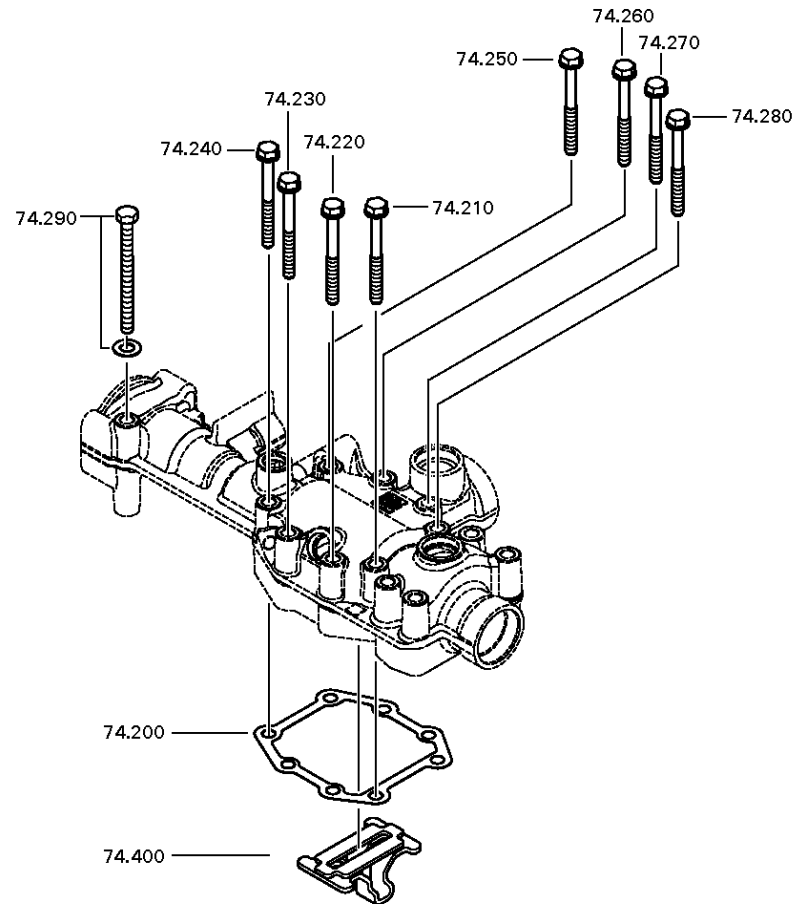
Material number: 1346.002.300

Picture: 150.10.01-1

Material-assembly-group-no: 1346.174.800



6 S 1000 TO /
SHIFT TURRET



Picture

Page 1 from 2

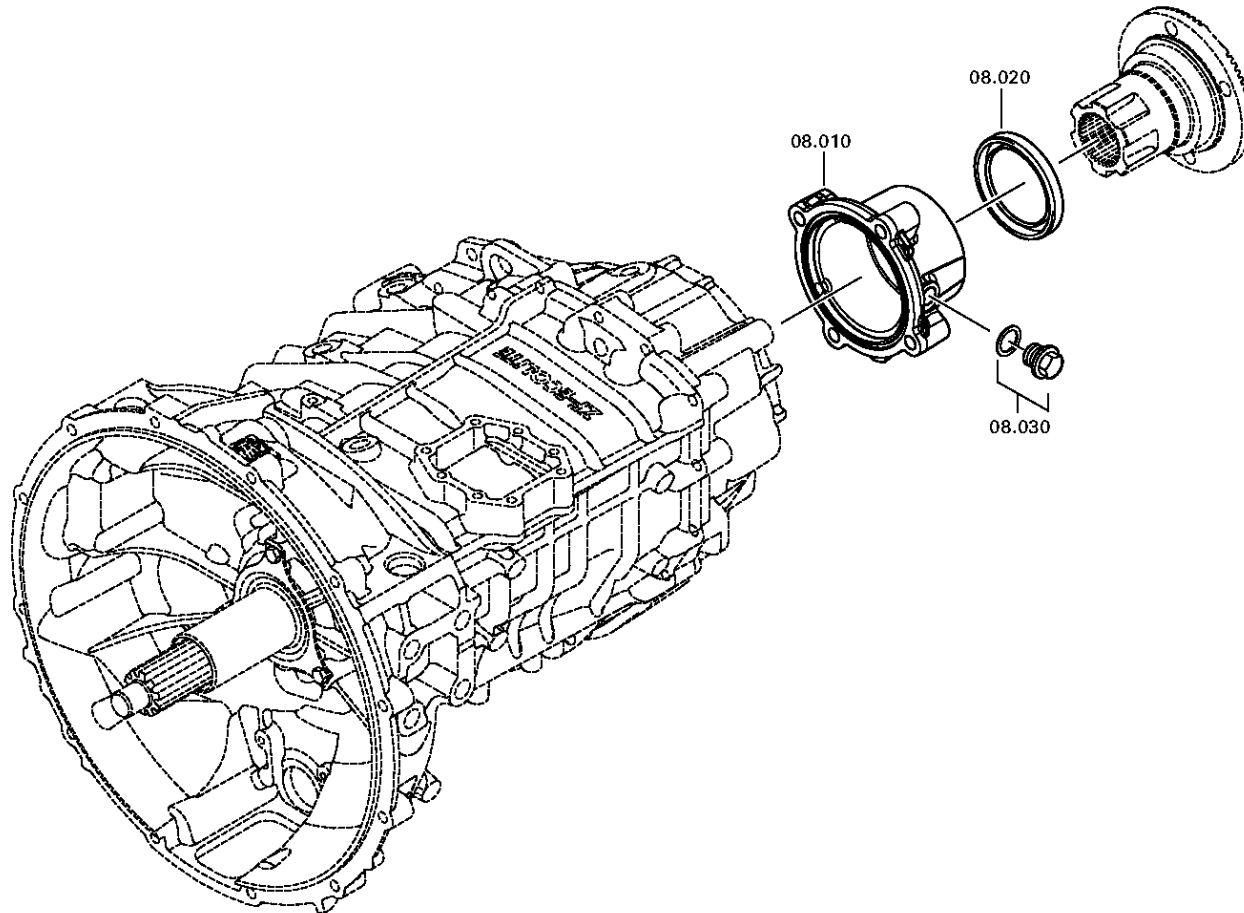
Material number: 1346.002.300

Picture: 150.18.02-1

SPEEDOMETER COVER



6 S 1000 TO /
SPEEDOMETER COVER



Picture

Page 2 from 2

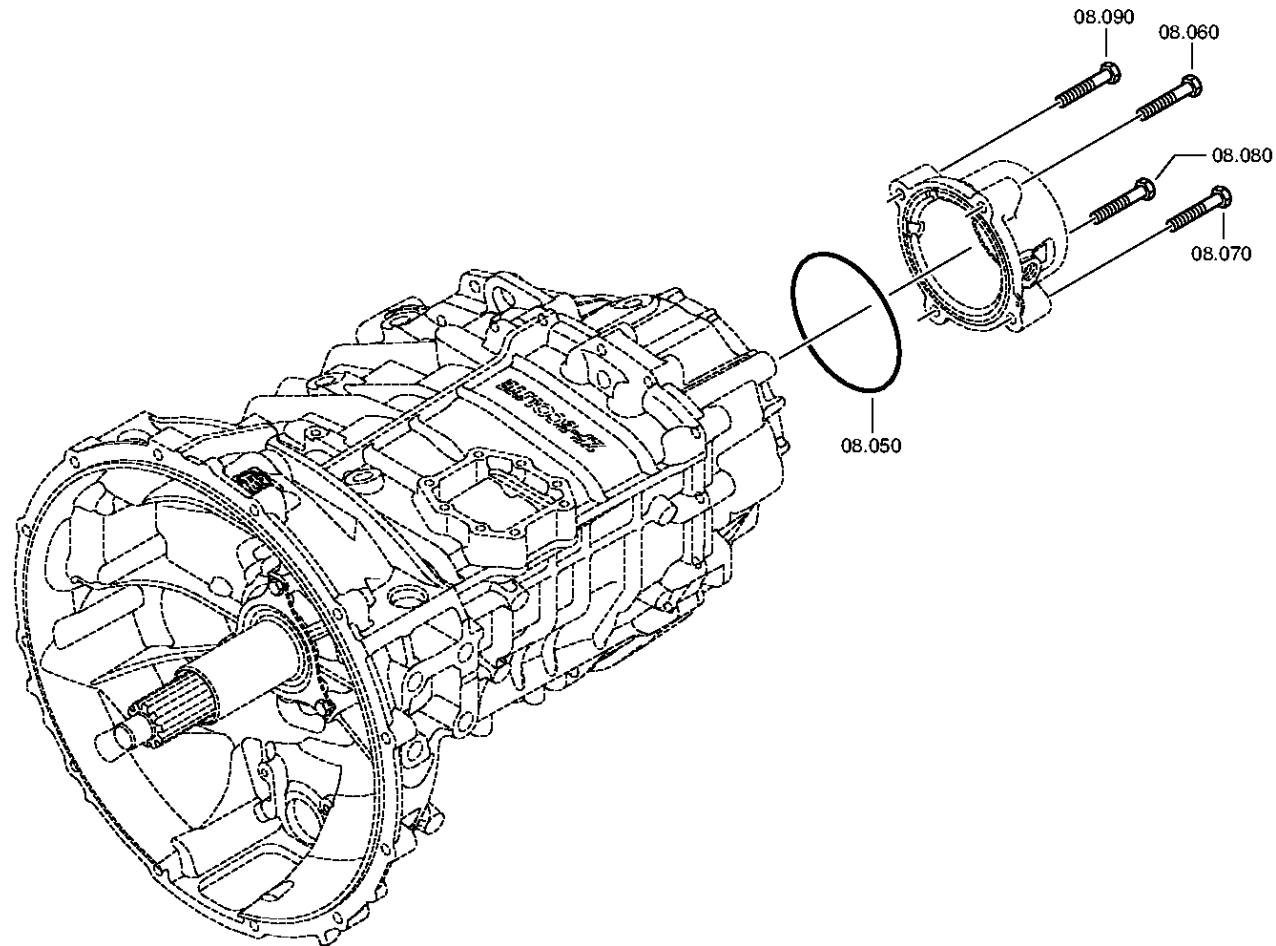
Material number: 1346.002.300

Picture: 150.18.80-1

SPEEDOMETER COVER



6 S 1000 TO /
SPEEDOMETER COVER



Picture

Page 1 from 1

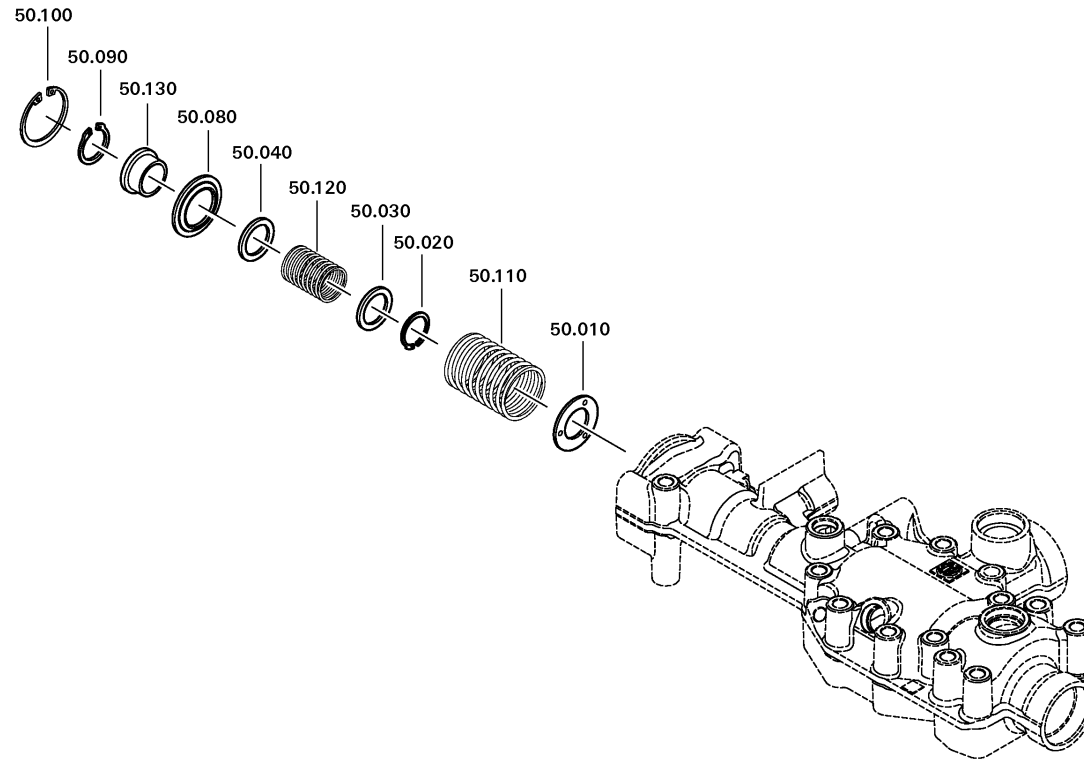
Material number: 1346.002.300

Picture: 150.050.006-1

Material-assembly-group-no: 1346.150.016



6 S 1000 TO /
SET OF SPRINGS



Picture

Page 1 from 1

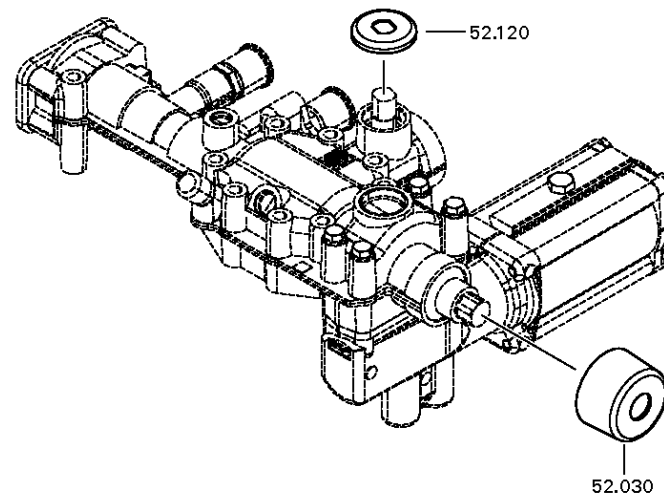
Material number: 1346.002.300

Picture: 150.52.21-1

Material-assembly-group-no: 1346.152.029



6 S 1000 TO /
LEVER



Picture

Page 1 from 1

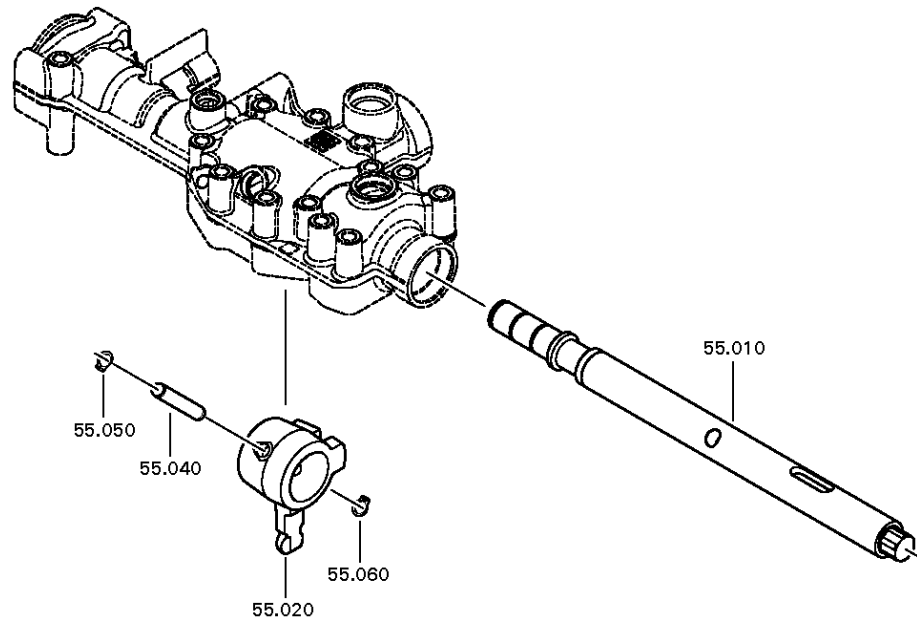
Material number: 1346.002.300

Picture: 150.55.01-1

Material-assembly-group-no: 1346.155.007



6 S 1000 TO /
GEARSHIFT SHAFT



Picture

Page 1 from 1

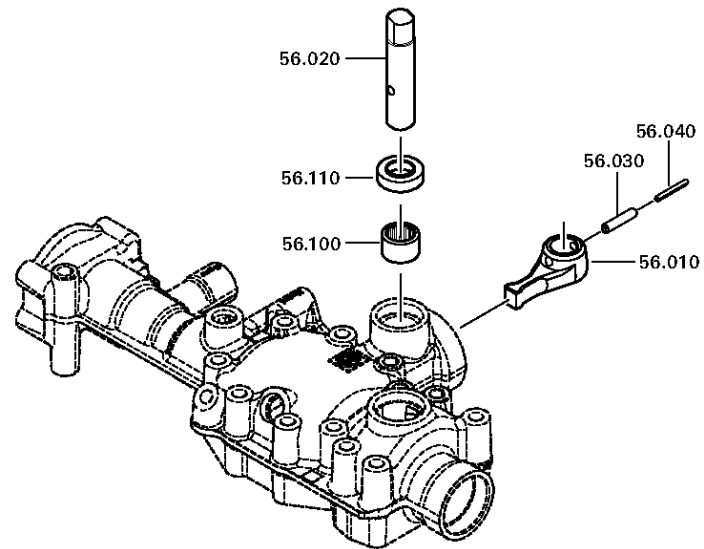
Material number: 1346.002.300

Picture: 150.56.01-1

Material-assembly-group-no: 1346.156.001



6 S 1000 TO /
SELECTOR CONNECTION



Picture

Page 1 from 2

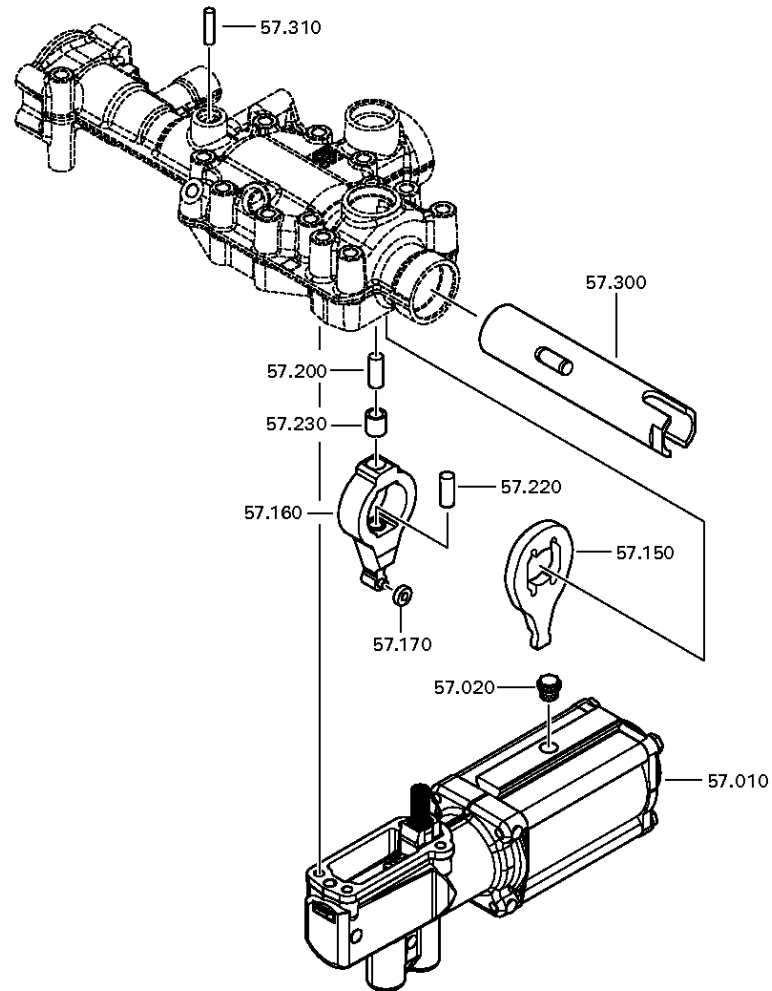
Material number: 1346.002.300

Picture: 150.57.01-1

PNEUMATIC SERVO UNIT



6 S 1000 TO /
PNEUMATIC SERVO UNIT



Picture

Page 2 from 2

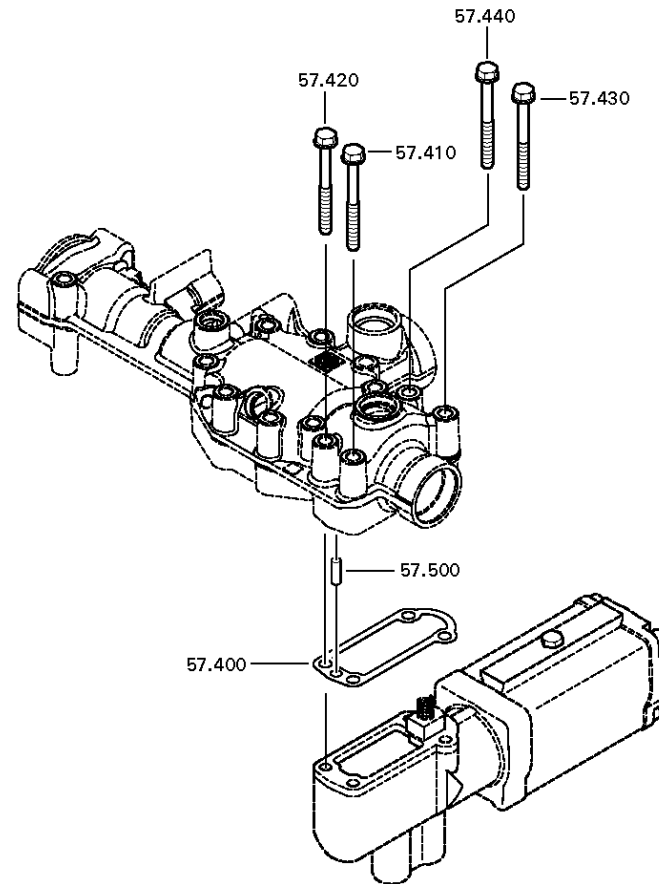
Material number: 1346.002.300

Picture: 150.57.80-1

PNEUMATIC SERVO UNIT



6 S 1000 TO /
PNEUMATIC SERVO UNIT



Picture

Page 1 from 1

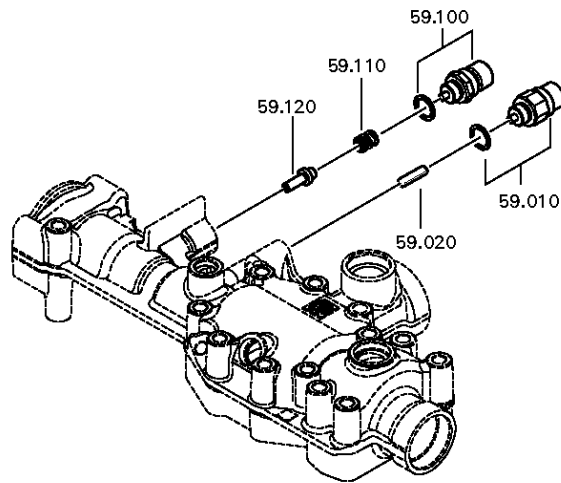
Material number: 1346.002.300

Picture: 150.59.01-1

Material-assembly-group-no: 1346.159.008



6 S 1000 TO /
SWITCH



Picture

Page 1 from 1

Material number: 1346.002.300

Picture: 150.93.42-1

Material-assembly-group-no: 6060.168.009



6 S 1000 TO /
CLUTCH RELEASE DEVICE

