

Каталог запасных частей КПП ZF 6S 1000 TO 1346 082 007 (6S1000TO, 6S1000, 6S1000 TO) 1346082007



Spare Parts Catalog

6 S 1000 TO

Material number: 1346.082.007



Pos.	Information	Amendment number
001	Use case -----	
002	Customer KAMAZ PUBLIC JOINT STOCK COMPANY	
003	City Naberezhnye Chelny	
004	DUNS 64-493-2113	
005	Vehicle / Apparatus -----	
006	Sales Name KAMAZ-4308	
007	Manufacturer KAMAZ PUBLIC JOINT STOCK COMPANY	
008	Engineering Name	
009	Product Use TRUCK	
010	Vehicle/Hardware Type ROAD TRACTOR	
011	SOP	
012	Engine	
013	Sales Designation	
014	Manufacturer Cummins Engine Co.	
015	Eng.Displ.	
016	Cylinder	
017	Nom. power 136 kW	
018	RPM at nom. power 2500 1/min	
019	Nom. torque 700 Nm	
020	RPM at nom. torque 1500 1/min	
021	Classification use case -----	
022	APPROVAL NOTE 1 FIRST FITTING CHECK CARR.OUT	
024	DESIGNATION, CLUTCH MF395	
025	MANUFACTURER, CLUTCH ZF-SACHS	
026	TOTAL NUMBER OF WHEELS 4	
027	NUMBER OF DRIVING WHEELS 4	
028	DYNAMIC TYRE RADIUS 407 mm	
029	REAR AXLE RATIO 4.78	
033	PERMISS.GROSS VEHICLE WEIGHT 11 t	
034	PERMISS.GROSS COMBIN.WEIGHT 19 t	
035	Product description -----	
036	OIL CAPACITY, GEARBOX 9.3 dm3	



Pos.	Information	Amendment number
037	OIL FILL VARIANT EX WORKS	
038	OIL GRADE PERMISSIBLE ACC. TO TE-ML02	



Graphics	Pos.	Material number	Name	VKF	Amend. no.	Amend. start	Prod. no.	Material feature / tech. info.	ID
	910	1346.002.062	6 S 1000 TO	1		00.00.0000		SG*LL*ANGEFL*DW-WL	1
150.01.08-1	110	1346.101.022	CLUTCH HOUSING	1		00.00.0000		LL*6S1000TO*GD	3
150.01.08-1	120	1346.101.800	OUTPUT HOUSING	1		00.00.0000		LL*6S1000TO*6S800TD	3
150.02.01-1	130	1346.102.008	INPUT SHAFT	1		00.00.0000		I=6,75*L=107*SAE10C 1 3/4*OD*6S1000TO*L=299,5*LAGEROPTIM.	3
150.02.01-1	140	1346.102.007	GUIDE TUBE	1		00.00.0000		L=107*D=57*1 3/4*LAGEROPTI*L=15	3
150.02.01-1	150	1346.102.801	GUIDE TUBE	1		00.00.0000		E2410*2408	3
150.02.01-1	160	1346.102.800	INPUT SHAFT	1		00.00.0000		6S1000TO*6S800TD	3
150.03.01-1	920	1346.103.001	LAYSHAFT	1		00.00.0000		I=6,75-0,78*6S1000TO	3
150.04.01-1	210	1346.104.800	MAIN SHAFT	1		00.00.0000		AD=155*LZ=4*D=13,0 *E24*L=112,5	3
150.04.01-1	910	1346.104.001	MAIN SHAFT	1		00.00.0000		I=6,75-0,78*6S1000 TO	3
150.05.01-1	220	1346.105.001	RETURN	1		00.00.0000		6S1000TO*6S800TD	3
150.06.01-1	230	1346.106.003	GEAR SHIFT SYSTEM	1		00.00.0000		OD*6S 1000TO*NEUE SCHUBST.	3
150.09.04-1	10	1346.109.006	GEAR SHIFT HOUSING	1		00.00.0000		DW-LI*MGS	3
150.10.01-1	270	1346.174.800	SHIFT TURRET	1		00.00.0000		ANBAUTEILE*VB	3
150.18.01-1	300	1346.108.002	SPEEDOMETER COVER	1		00.00.0000		6S 1000TO*6S 800TD*M.GEBER*BAJONETT	3
150.18.01-1	310	1346.108.800	SPEEDOMETER COVER	1		00.00.0000		6S 1000TO*6S 800TD	3
150.50.06-1	90	1346.150.020	SET OF SPRINGS	1		00.00.0000		DW- LI*Q1*W018*KOMBIANSCHL*RG=80N	3
150.52.04-1	40	1346.152.002	LEVER	1		00.00.0000		DW-LI*MGS *R=65/85*A23*FZO	3
150.55.03-1	30	1346.155.013	GEAR SHIFT SHAFT	1		00.00.0000		DW-LI*MGS*KOMBIA *L=222/218	3
150.58.01-1	100	1346.158.004	DETENT	1		00.00.0000		DW-LI/RE*MGS *138N	3
150.59.01-1	80	1346.159.008	SWITCH	1		00.00.0000		NG OEFF*RG SCHL*CGS*KOMBIA*RIEGELFEDER 76N*O.BUEG.	3
150.93.42-1	330	6060.168.009	CLUTCH RELEASE DEVICE	1		00.00.0000		E24*SAE2*O.AUSRUECKER	3

VKF Incidence factor

ID Identification (output code)



Pos.	Material number	Name	VKF	Amend. no.	Amend. start	Prod. no.	Material feature / tech. info.	OTK	External material no.	ID	Weight	SP
10	1346.109.006	GEAR SHIFT HOUSING	1		00.00.0000		DW-LI*MGS			3	0,000	
30	1346.155.013	GEAR SHIFT SHAFT	1		00.00.0000		DW-LI*MGS*KOMBIA *L=222/218			3	0,000	
40	1346.152.002	LEVER	1		00.00.0000		DW-LI*MGS *R=65/85*A23*FZO			3	0,000	
80	1346.159.008	SWITCH	1		00.00.0000		NG OEFF*RG SCHL*CGS*KOMBIA*RIEGELFEDER 76N *O.BUEG.			3	0,000	
90	1346.150.020	SET OF SPRINGS	1		00.00.0000		DW-LI*Q1*W018*KOMBIANSCHL.*RG=80N			3	0,000	
100	1346.158.004	DETENT	1		00.00.0000		DW-LI/RE*MGS *138N			3	0,000	
110	1346.101.022	CLUTCH HOUSING	1		00.00.0000		LL *6S1000TO*GD			3	0,000	
120	1346.101.800	OUTPUT HOUSING	1		00.00.0000		LL *6S1000TO*6S800TD			3	0,000	
130	1346.102.008	INPUT SHAFT	1		00.00.0000		I= 6,75*L=107*SAE10C 1 3/4*OD*6S1000TO*L=299,5*LAGEROPTIM.			3	0,000	
140	1346.102.007	GUIDE TUBE	1		00.00.0000		L=107*D=57*1 3/4*LAGEROPTI*L=15			3	0,000	
150	1346.102.801	GUIDE TUBE	1		00.00.0000		E2410*2408			3	0,000	
160	1346.102.800	INPUT SHAFT	1		00.00.0000		6S1000TO*6S800TD			3	0,000	
210	1346.104.800	MAIN SHAFT	1		00.00.0000		AD=155*LZ=4*D=13,0 *E24*L=112,5			3	0,000	
220	1346.105.001	RETURN	1		00.00.0000		6S1000TO*6S800TD			3	0,000	
230	1346.106.003	GEAR SHIFT SYSTEM	1		00.00.0000		OD*6S 1000TO*NEUE SCHUBST.			3	0,000	
270	1346.174.800	SHIFT TURRET	1		00.00.0000		ANBAUTEILE*VB			3	0,000	
300	1346.108.002	SPEEDOMETER COVER	1		00.00.0000		6S 1000TO*6S 800TD*M. GEBER*BAJONETT			3	0,000	
310	1346.108.800	SPEEDOMETER COVER	1		00.00.0000		6S 1000TO*6S 800TD			3	0,000	

VKF Incidence factor

OTK Optional technical kit

ID Identification (output code)

SP Supplier plant



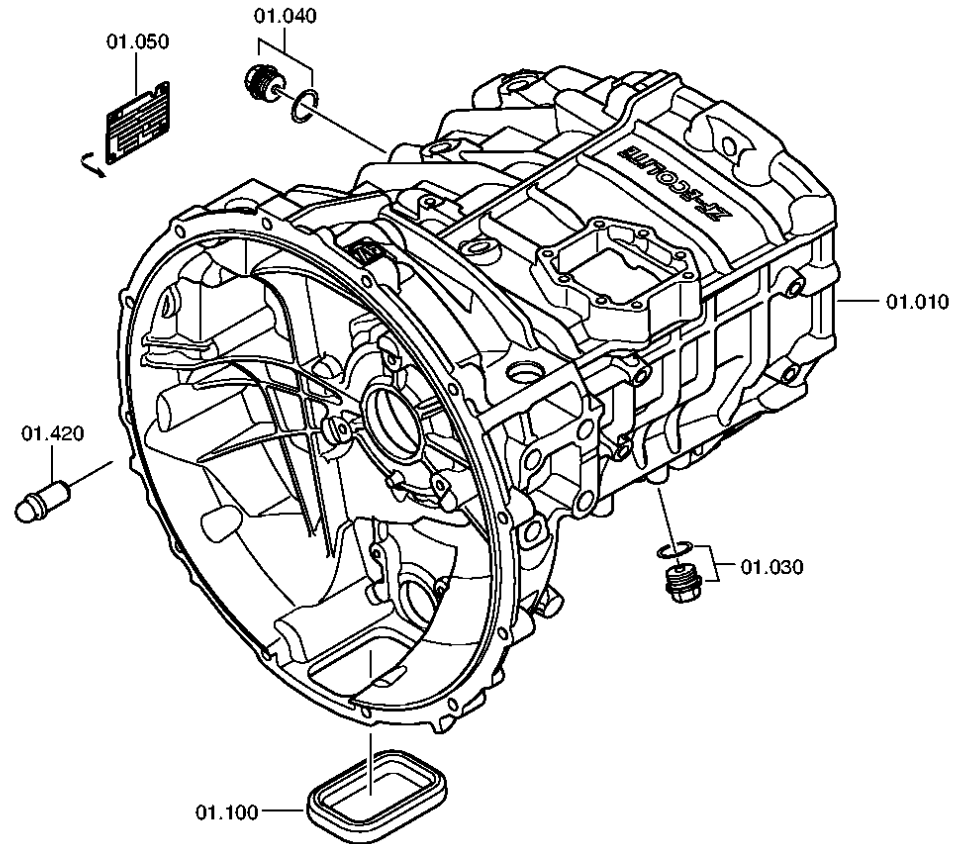
Pos.	Material number	Name	VKF	Amend. no.	Amend. start	Prod. no.	Material feature / tech. info.	OTK	External material no.	ID	Weight	SP
330	6060.168.009	CLUTCH RELEASE DEVICE	1		00.00.0000		E24*SAE2*O.AUSRUECKER			3	0,000	
910	1346.104.001	MAIN SHAFT	1		00.00.0000		I=6,75-0,78*6S1000 TO			3	0,000	
920	1346.103.001	LAYSHAFT	1		00.00.0000		I=6,75-0,78*6S1000TO			3	0,000	

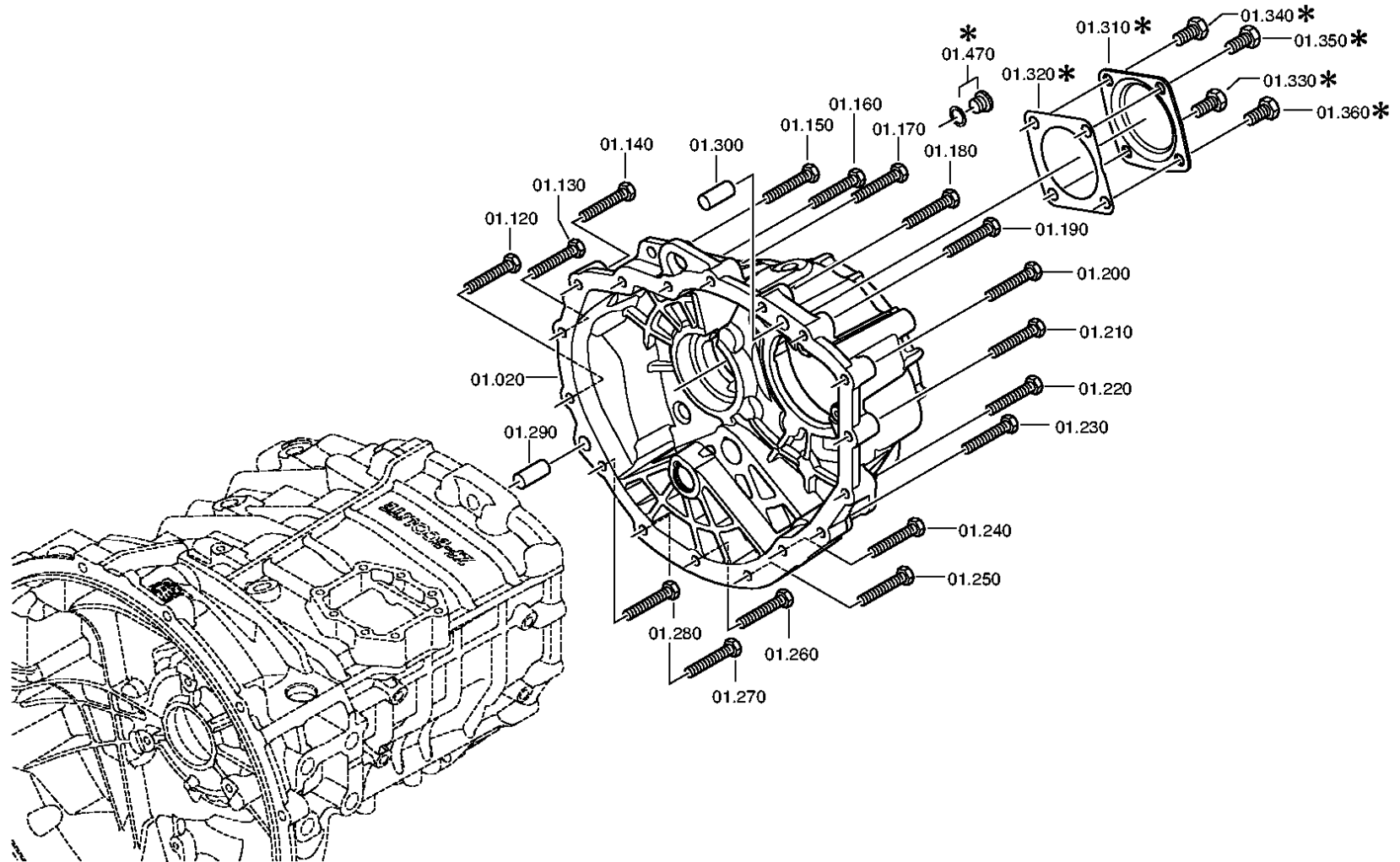
VKF Incidence factor

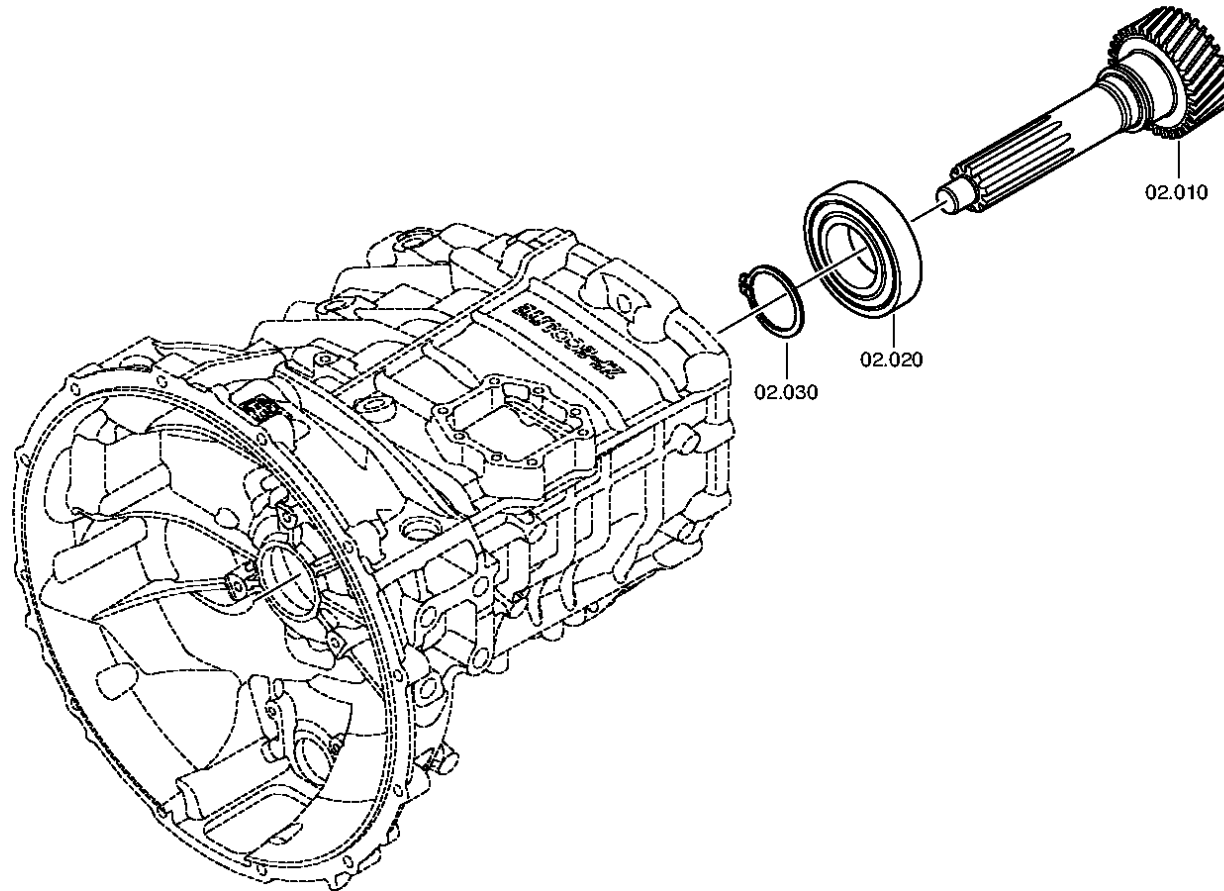
OTK Optional technical kit

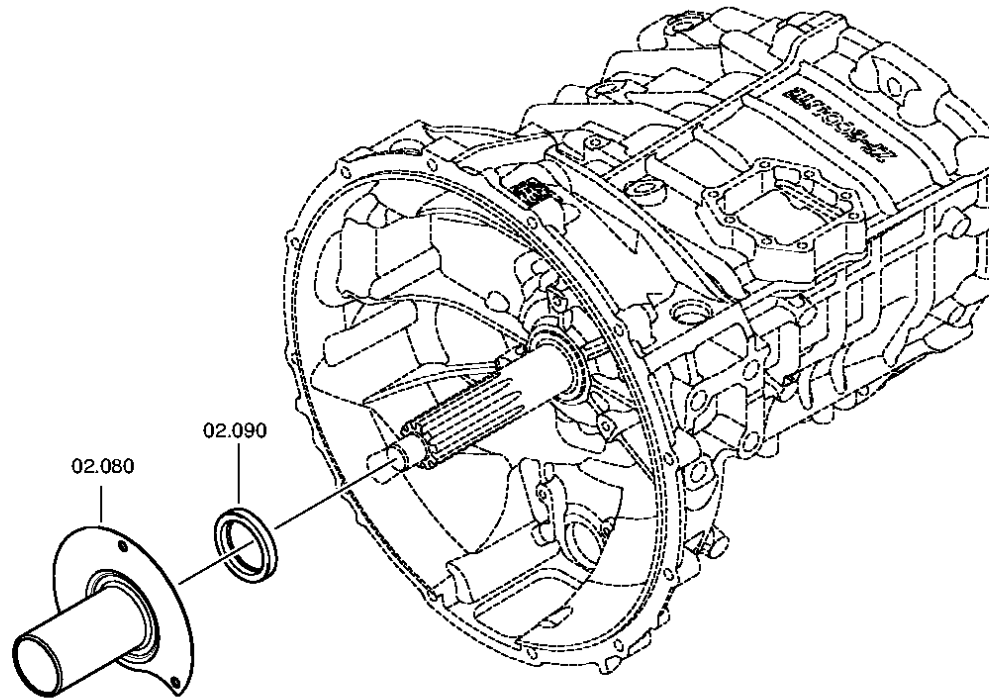
ID Identification (output code)

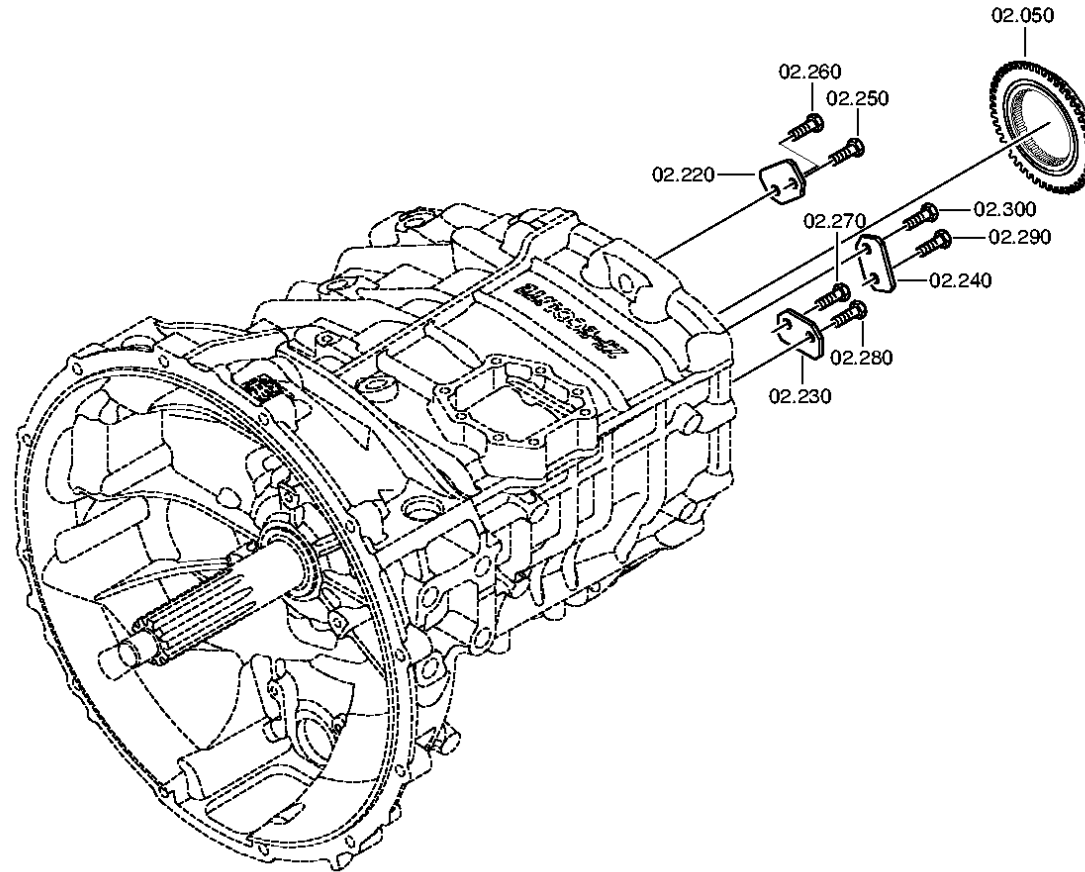
SP Supplier plant

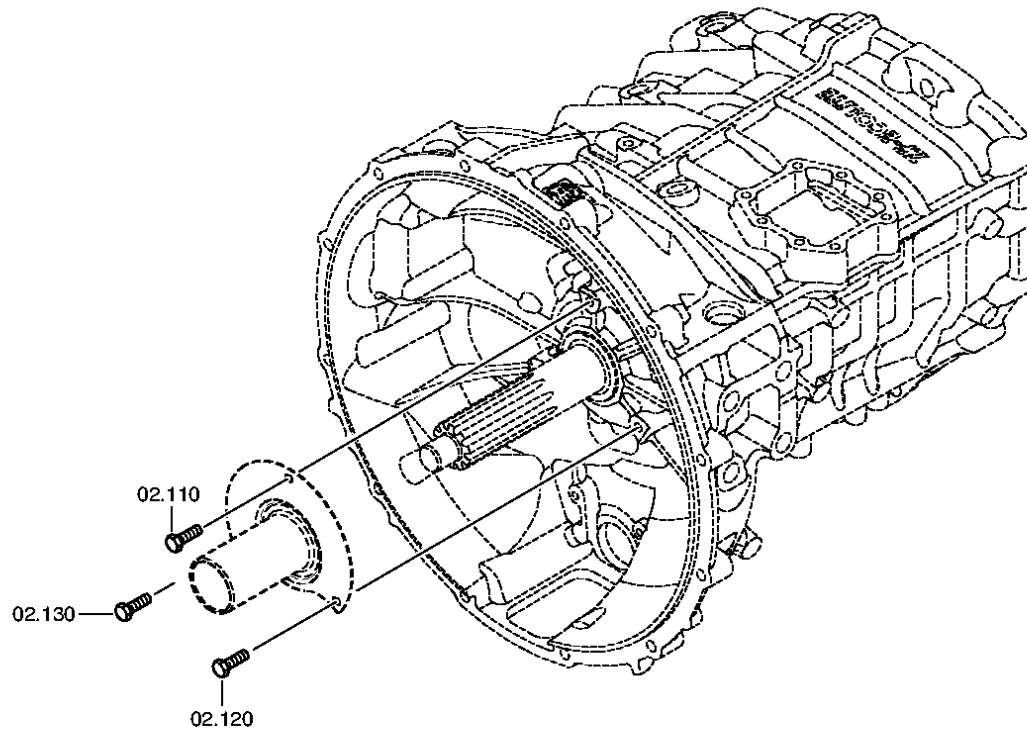


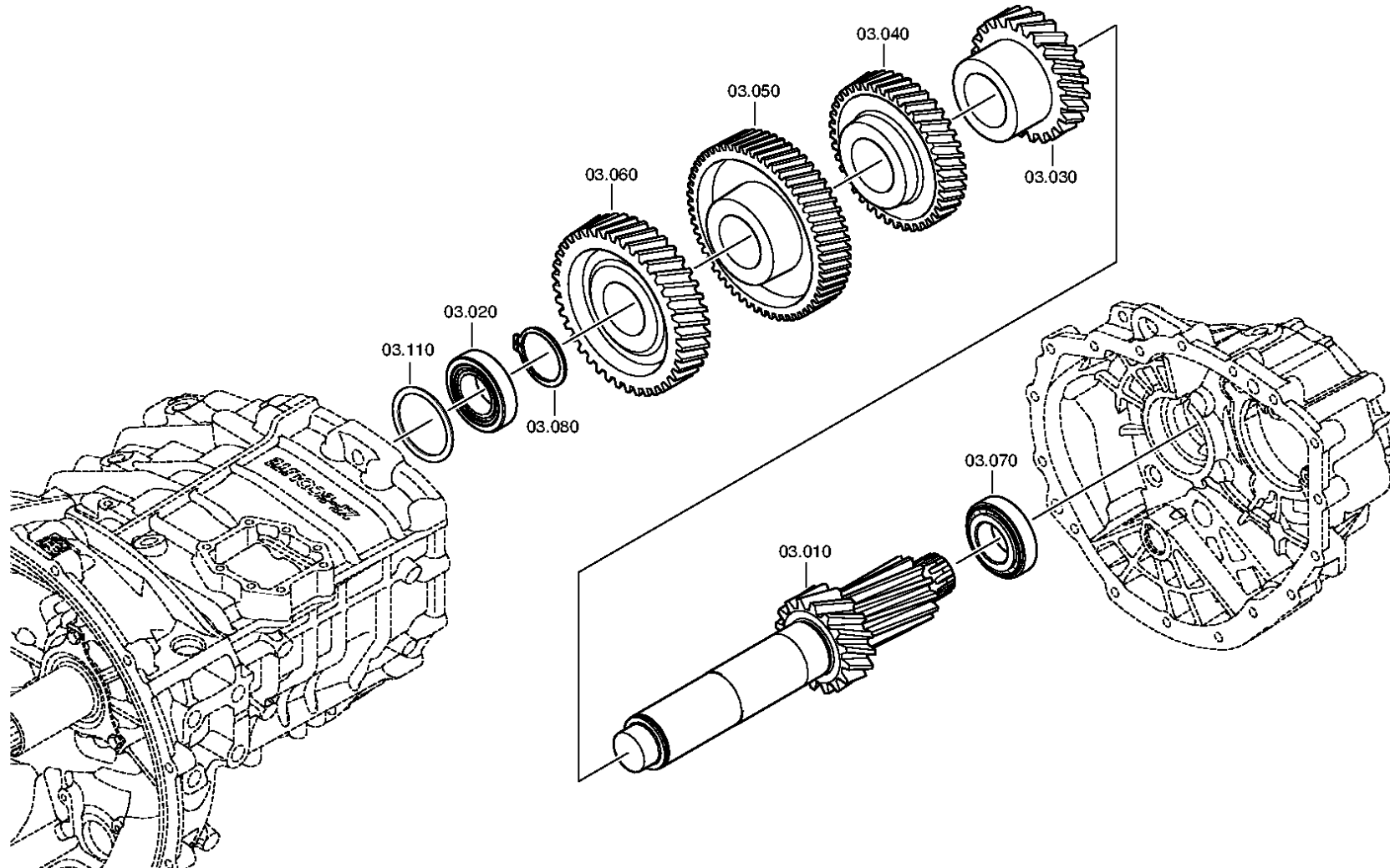


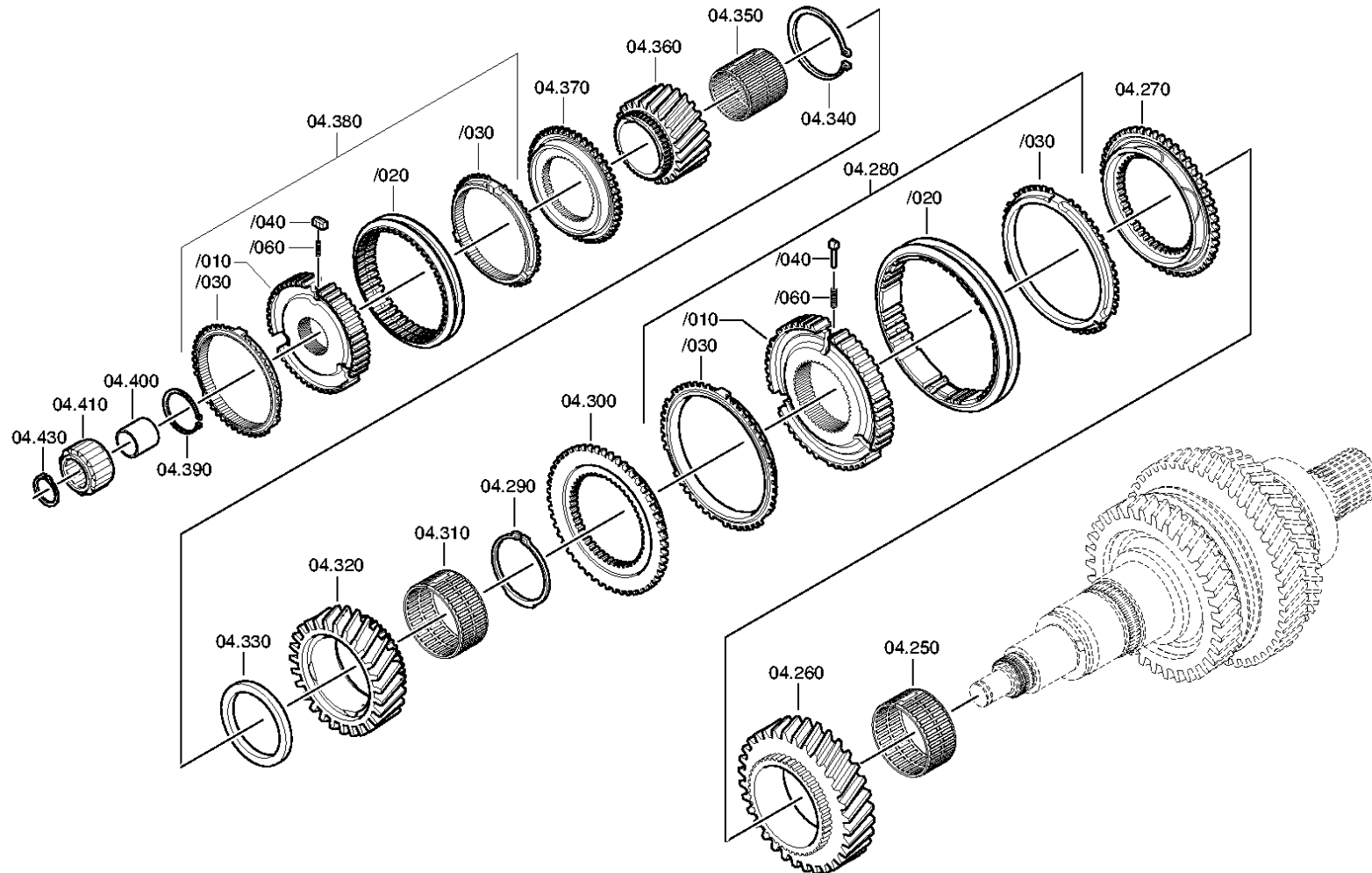


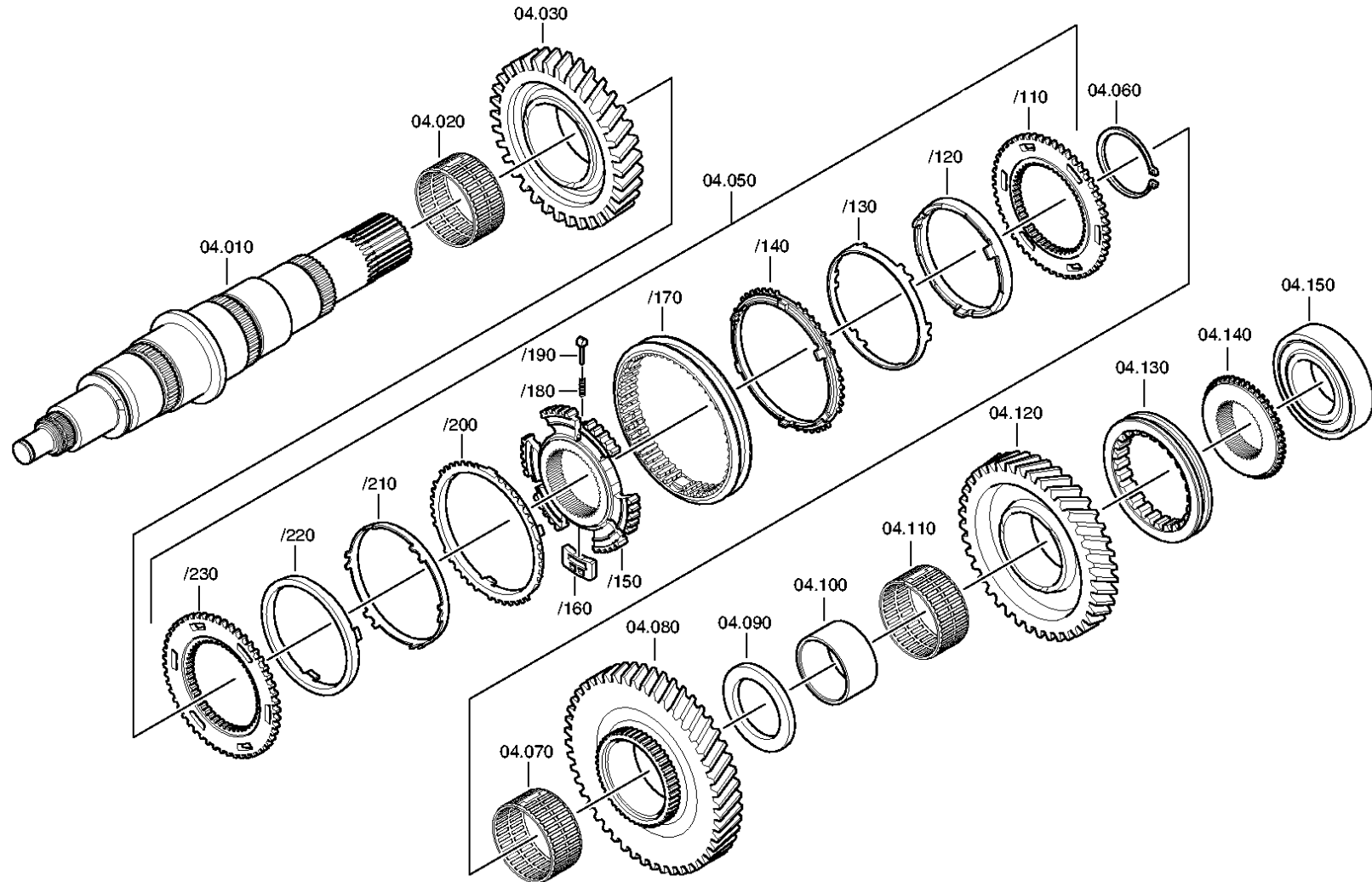


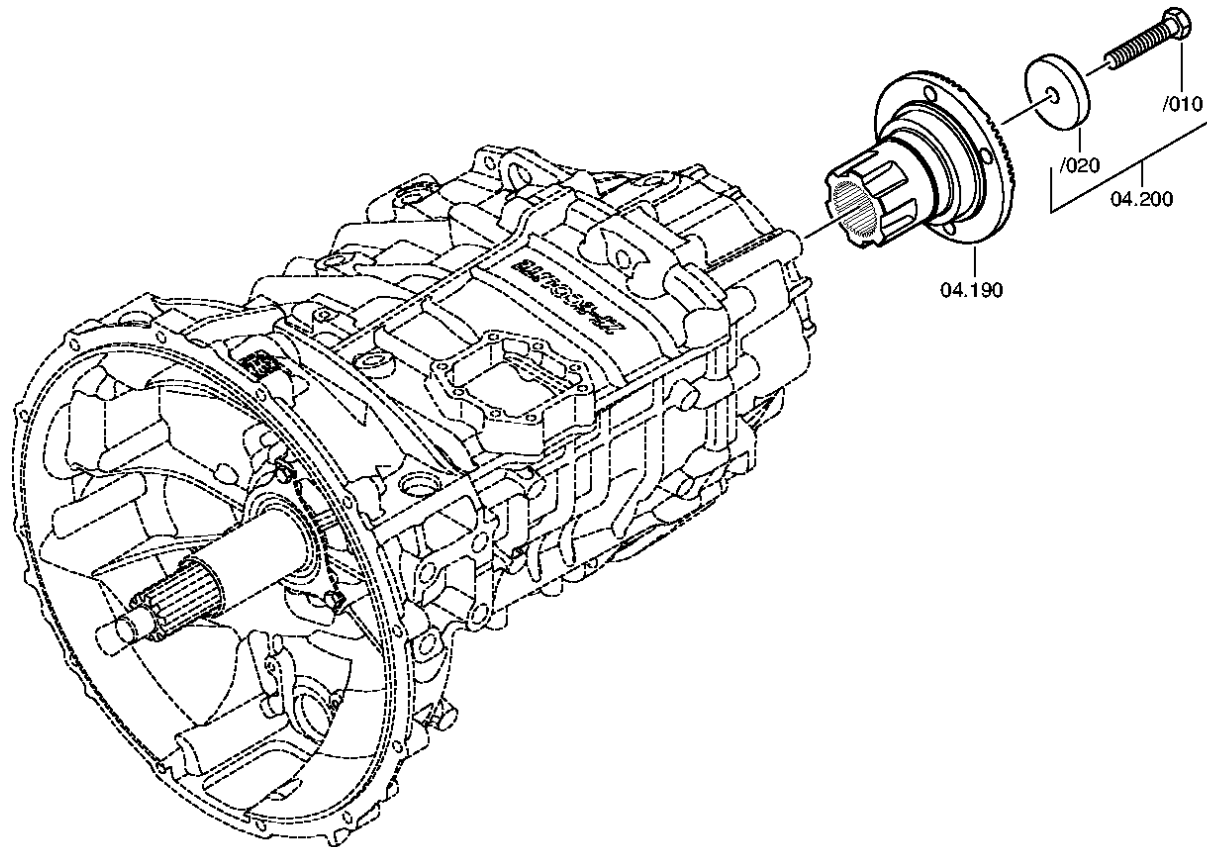


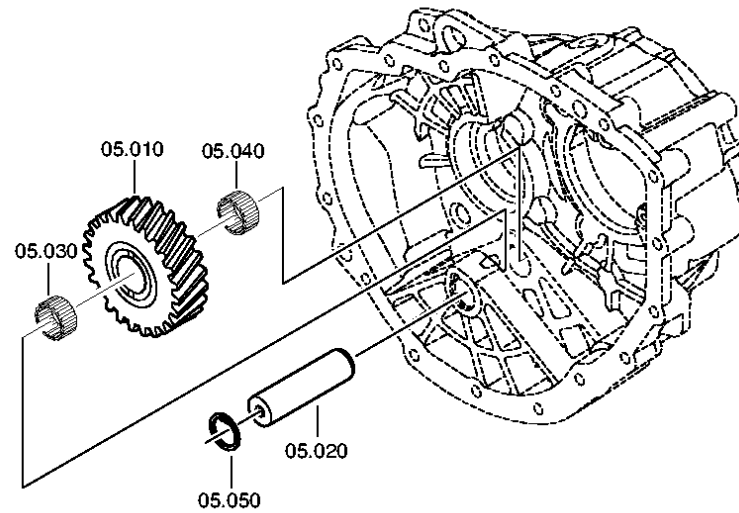


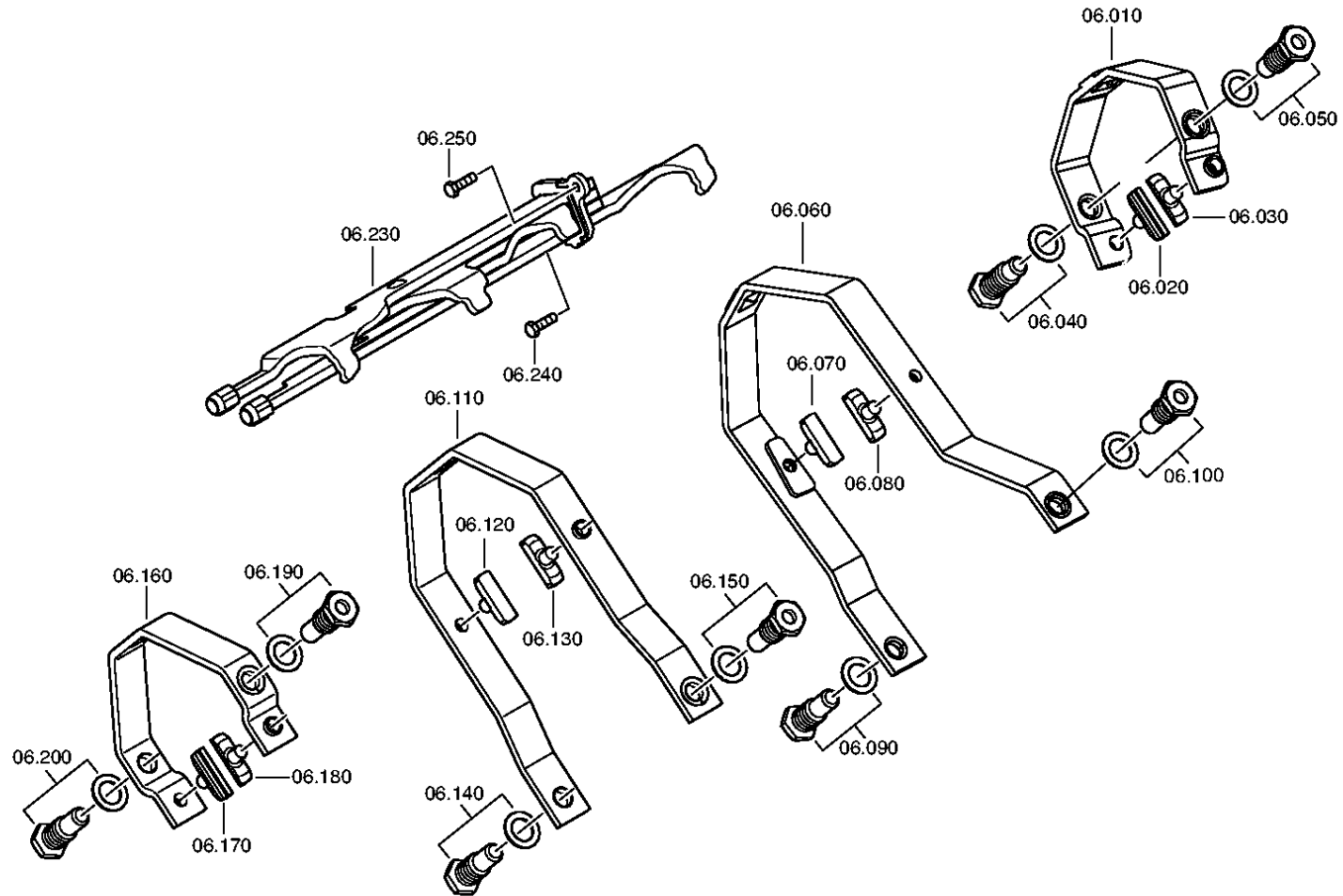




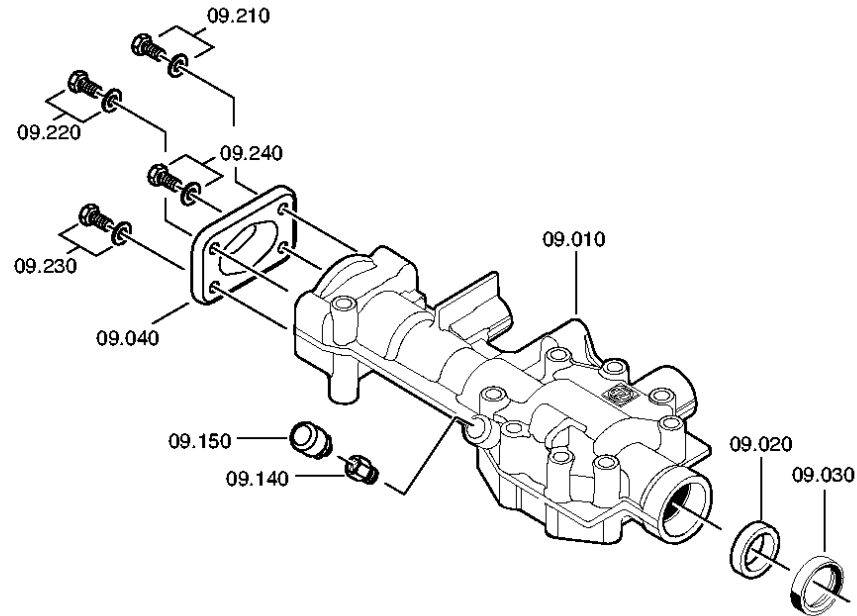


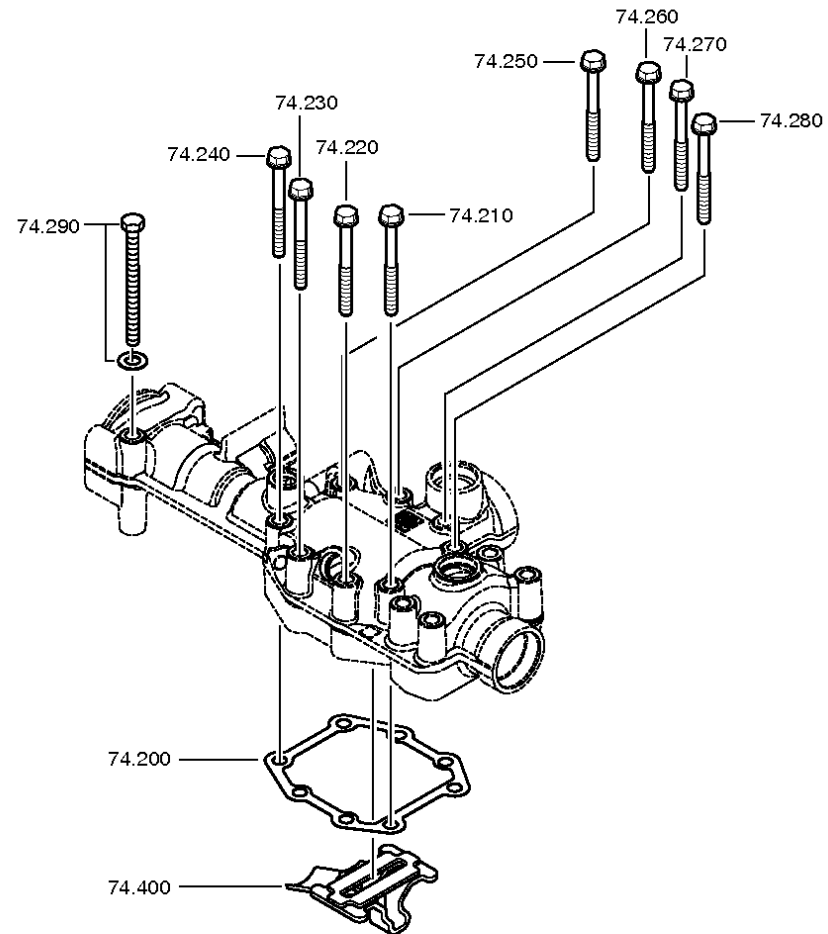


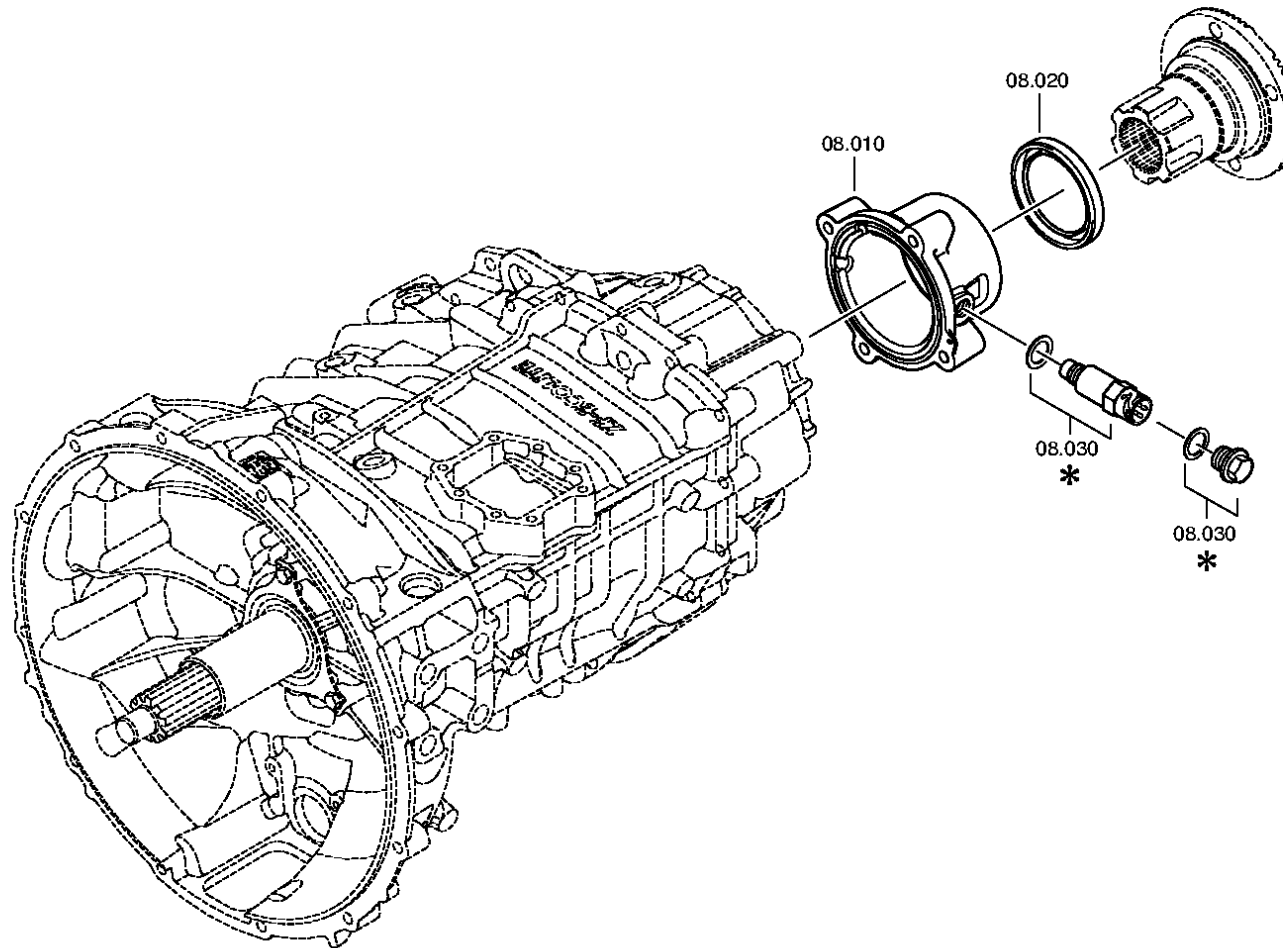


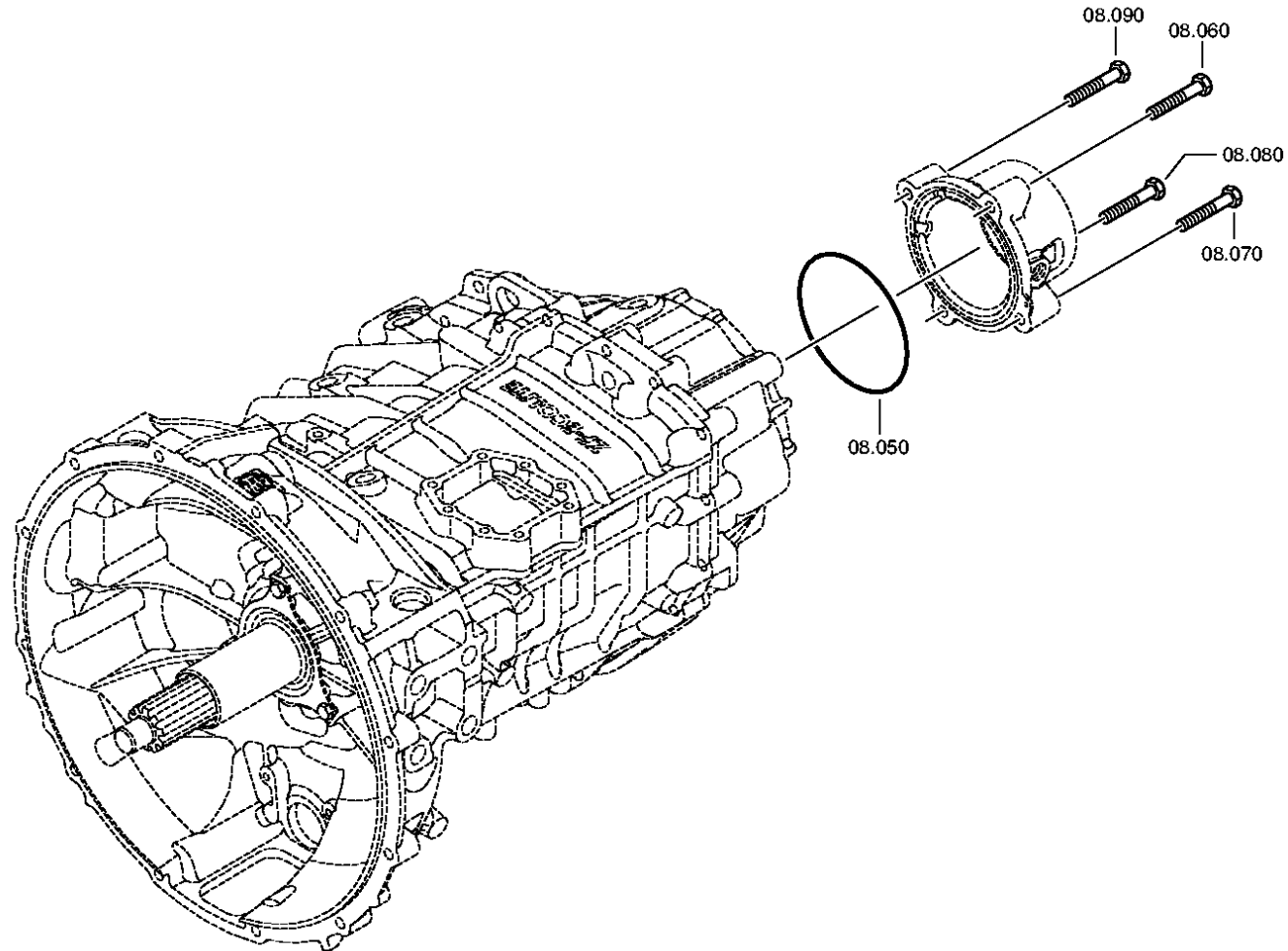


Material number: 1346.082.007 6 S 1000 TO /
Plant: 150.09.04-1 GEAR SHIFT HOUSING
Material-assembly-group-no: 1346.109.006

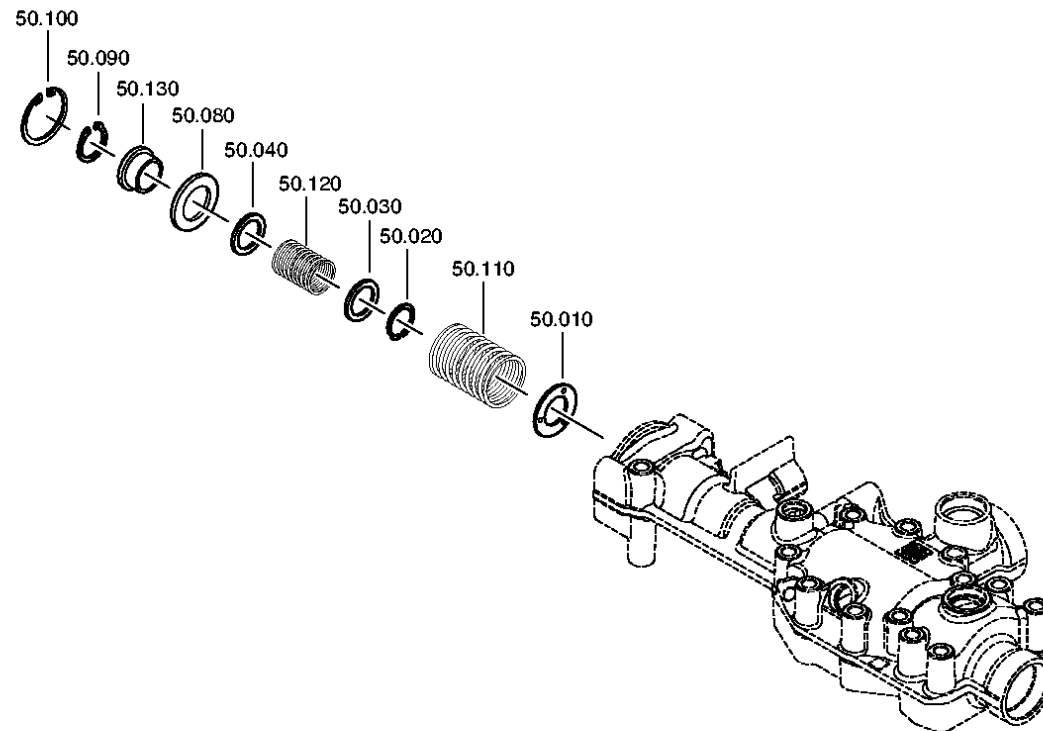








Material number: 1346.082.007 6 S 1000 TO /
Plant: 150.50.06-1 SET OF SPRINGS
Material-assembly-group-no: 1346.150.020



Material number: 1346.082.007 6 S 1000 TO /
Plant: 150.52.04-1 LEVER
Material-assembly-group-no: 1346.152.002

