

**Каталог запасных частей
КПП ZF 6S 1200 BO 1350 003 037 КАМАЗ
(6S1200BO, 6S1200, 6S1200 BO) 1350003037**



Spare Parts Catalog

6 S 1200 BO
KAMAZ PUBLIC JOINT STOCK COMPANY

Material number: 1350.003.037



Pos.	Information	Amendment number
001	Use case -----	
002	Customer KAMAZ PUBLIC JOINT STOCK COMPANY	
003	City Naberezhnye Chelny	
004	DUNS 64-493-2113	
005	Vehicle / Apparatus -----	
006	Sales Name NEFAZ 5299	
007	Manufacturer KAMAZ PUBLIC JOINT STOCK COMPANY	
008	Engineering Name	
009	Product Use BUS	
010	Vehicle/Hardware Type CITY BUS	
011	SOP	
012	Engine	
013	Sales Designation	
014	Manufacturer KAMAZ PUBLIC JOINT STOCK COMPANY	
015	Eng.Displ.	
016	Cylinder	
017	Nom. power 206 kW	
018	RPM at nom. power 1900 1/min	
019	Nom. torque 1176 Nm	
020	RPM at nom. torque 1200 1/min	
021	Classification use case -----	
022	APPLICATION OF THE PRODUCT GUS	
024	APPROVAL NOTE 1 FIRST FITTING CHECK CARR.OUT	
028	DESIGNATION, CLUTCH MFZ430	
029	MANUFACTURER, CLUTCH ZF-SACHS	
032	TOTAL NUMBER OF GEARS 4	
033	NUMBER OF DRIVING GEARS 2	
034	DYNAMIC TYRE RADIUS 465 mm	
035	REAR AXLE RATIO 5.12	
036	MAXIMUM SPEED 100 km/h	



Pos.	Information	Amendment number
039	PERMISS.GROSS VEHICLE WEIGHT 16.5 t	
041	Use case -----	
042	Customer KAMAZ PUBLIC JOINT STOCK COMPANY	
043	City Naberezhnye Chelny	
044	DUNS 64-493-2113	
045	Vehicle / Apparatus -----	
046	Sales Name NEFAZ 5299	
047	Manufacturer KAMAZ PUBLIC JOINT STOCK COMPANY	
048	Engineering Name	
049	Product Use BUS	
050	Vehicle/Hardware Type CITY BUS	
051	SOP	
052	Engine	
053	Sales Designation	
054	Manufacturer Cummins Engine Co.	
055	Eng.Displ.	
056	Cylinder	
057	Nom. power 198 kW	
058	RPM at nom. power 2500 1/min	
059	Nom. torque 970 Nm	
060	RPM at nom. torque 1200 1/min	
061	Classification use case -----	
062	APPLICATION OF THE PRODUCT GUS	
064	APPROVAL NOTE 1 FIRST FITTING CHECK CARR.OUT	
068	DESIGNATION, CLUTCH MFZ430	
069	MANUFACTURER, CLUTCH ZF-SACHS	
072	TOTAL NUMBER OF GEARS 4	
073	NUMBER OF DRIVING GEARS 2	
074	DYNAMIC TYRE RADIUS 465 mm	
075	REAR AXLE RATIO 5.12	



Pos.	Information	Amendment number
076	MAXIMUM SPEED 100 km/h	
079	PERMISS.GROSS VEHICLE WEIGHT 16.5 t	
081	Product description -----	
082	INSTALLATION POS TRANSMISSION HORIZONTAL RIGHT	
083	TRANSMISSION ATTACHMENT FLANGE-MOUNTED	
084	INSTALLATION POSITION PRODUCT REAR	
085	RATIO, BOTTOM GEAR 6.75	
086	RATIO, TOP GEAR .83	
087	SET OF RATIOS SG	
088	RATIO, 1ST GEAR 6.75	
089	RATIO, 2ND GEAR 3.87	
090	RATIO, 3RD GEAR 2.36	
091	RATIO, 4TH GEAR 1.47	
092	RATIO, 5TH GEAR 1	
093	RATIO, 6TH GEAR .83	
094	RATIO, 1ST GEAR REVERSE 6.21	
095	DESIGN, SHIFT SYSTEM TURNING SHAFT	
096	POSITION, GEAR SHIFT SYSTEM VERTICAL	
097	DESIGN, SEPARATING CLUTCH FULL-SYNCHRONIZED	
098	REFERENCE LENGTH INPUT SHAFT 286 mm	
099	STANDARD TYPE INPUT SHAFT SAE	
100	NUMBER OF WEDGES INPUT SHAFT 10	
101	VERSION OF INPUT SHAFT FORM C	
102	NOMINAL DIAMETER INPUT SHAFT 1.75 in	
103	DIAMETER, RELEASE FLANGE 60 mm	
104	TYPE FIT RELEASE BEARING FLA. E8	
105	DESIGN BEARING OUTPUT STANDARD SUSPENSION	
106	OUTER DIA. OUTPUT FLANGE RA 180 mm	
107	NO.OF SCREWS OUTPUT FLANGE RA 4	
111	DIA. THREAD OUTPUT FL. SCR. RA M14	



Pos.	Information	Amendment number
113	REF. LENGTH OUTPUT FLANGE RA 88 mm	
114	THREAD PITCH OUTPUT FL SCR. RA 1.5 mm	
116	THREAD LENGTH OUTP.FL SCREW RA 50 mm	
122	DIMENSION SHIFT TURRET DIST. 184 mm	
123	MEAS. LOC. SHIFT TURRET DIST. SHIFT LEVER-LOCATION	
124	TYPE OF SHIFT CONTROL CONTROL CABLE	
133	SPRING ARRANGEMENT Q2	
134	TOOLING SET OF SPRINGS W044	
135	SPRING FORCE DETENT PLUNGER RG 240 N	
139	SELECTION PATTERN VARIANT GEAR SHIFT PATTERN 2	
140	SWITCH, REVERSE GEAR y	
141	DESIGN, RG (REV.GEAR) SWITCH OPENING SWITCH	
142	NOTE ON SWITCH, REVERSE GEAR GEAR SHIFT RAIL	
143	PROT. CAP SWITCH, REVERSE GEAR y	
144	DESIGN, CONNECTION, RG SWITCH DIN BAYONET	
146	SWITCH, NEUTRAL GEAR y	
147	DESIGN,NG(NEUTRAL GEAR)SWITCH OPENING SWITCH	
148	PROT.CAP SWITCH, NEUTRAL GEAR y	
149	DESIGN, CONNECTION, NG SWITCH DIN BAYONET	
152	REF.LENGTH,RELEASE BEAR.FLAN 170 mm	
155	DESIGN,CONN., CLUTCH HOUSING SAE 1	
156	LENGTH CLUTCH HOUSING 174 mm	
157	TYPE OF RELEASE MECHANISM PULLED	
158	VERSION OF CLUTCH CYLINDER SERVO	
159	DIAMETER, CLUTCH CYLINDER 100 mm	
160	ASSEMBLY POS. CLUTCH CYLINDER 6	
161	LENGTH TAPPET CLUTCH CYLINDER 127 mm	
162	DESIGN LUBRI.CONN. REL.BEARING WITHOUT GROOVE	
164	THREAD DIA. MTG BOLT SUSPENSION M16	
165	THREAD PITCH SUSPENSION 2 mm	



Pos.	Information	Amendment number
166	DESIGN WEAR INDICATOR CLUTCH WITH	
167	DESIGN SWITCH CLUTCH PREPARED	
173	DESIGN RELEASE BEARING WITHOUT GROOVE	
174	WRENCH SIZE, RELEASE FORK 128 mm	
176	PRESSURE ROD y	
177	RELEASE LEVER y	
190	NO PULSES PULSE SENSOR TM H70 6 IMP/U	
191	VER. PULSE SENSOR TRANSM. H70 WITH	
192	PROT. CAP PULSE SENSOR TM H70 y	
193	ASSEMBLY POS PULSE SENSOR H70 4	
194	NOTE ASS. POS PULSE SENSOR H70 INSTALLATION DRAWING	
195	VER. CONNECT. PULSE SENSOR H70 DIN BAYONET	
199	OIL CAPACITY, GEARBOX 11.5 dm ³	
201	OIL GRADE PERMISSIBLE ACC. TO TE-ML02	
203	COLOR JET BLACK	
204	COLOUR CLASSIFICATION ACC. TO RAL 9005	
205	PAINTING, ZF STANDARD 915 W	
206	CODING OUTER CONSERVATION KA1	
207	SCOPE OUTER CONSERVATION T	
208	CODING INNER CONSERVATION KI2	
209	CONSERVATION SPECIFICATION ZFN 916	
210	Documents -----	
211	SCHALTGETRIEBE Drawing 1310.050.022	
212	SCHALTUNG Drawing 1311.107.016	
213	SET OF SPRINGS Drawing 1311.149.006	
214	DREHW.SCHALTUNG Drawing 1311.607.001	
215	6-SPEED GEARBOX Assembly 1350.603.004	
216	6-SPEED GEARBOX Drawing 1350.603.004	
217	KUPPLUNGSGLOCKE Drawing 6060.000.001	
218	CLUTCH HOUSING Drawing 6060.600.029	



Pos.	Information	Amendment number
219	1310.044.056 Drawing 1310.044.056	



Graphics	Pos.	Material number	Name	VKF	Amend. no.	Amend. start	Prod. no.	Material feature / tech. info.	ID
061.01.01-1	110	1310.101.047	GEARBOX HOUSING	1		00.00.0000		SG*LR*GD	3
061.01.01-1	120	1310.101.811	GEARBOX HOUSING	1		00.00.0000		LR *GD	3
061.01.01-1	122	1310.101.406	CLOSING COMPONENTS	1		00.00.0000		NA*OELANSAUG.SEK-RET*LR/LL*SOLO	6-85 3
061.02.01-1	140	1311.102.406	CONNPLATE	1		00.00.0000		L=170*D=60E8	3
061.02.01-1	150	1311.102.802	INPUT SHAFT	1		00.00.0000			3
061.02.01-1	910	1310.102.017	INPUT SHAFT	1		00.00.0000		6,75*L=286*SAE10C 1 3/4 *LAGER VERST.	3
061.03.02-1	180	1310.103.801	LAYSHAFT	1		00.00.0000			3
061.03.02-1	920	1310.103.014	LAYSHAFT	1		00.00.0000		6,75-0,83*BUS*O.N-TRIEB *SYN.D=150	3
061.04.02-1	210	1311.104.453	MAIN SHAFT	1		00.00.0000		AD=180* 4XM14X1,5X50*E/Z 6*KREUZVERZ.	3
061.04.02-1	930	1310.104.022	MAIN SHAFT	1	C0100669 6510	00.00.0000		6,75-0,83 *ZAPF.LAG.VERST*RG-LAG.INNENRG	3
061.06.02-1	230	1310.106.026	GEAR SHIFT SYSTEM	1		00.00.0000		SG*WII	3
061.06.02-1	240	1311.106.414	CONNECTING PARTS	1		00.00.0000		WII*RG-OEFF*BAJON*ADAPTER *1+2G-OHNE*3+4G-OHNE*HG-OHNE	3
061.07.01-1	282	1311.107.803	GEAR SHIFT HOUSING	1		00.00.0000		O.ABSTUETZPUNKT	3
061.07.01-1	910	1310.107.024	GEAR SHIFT HOUSING	1		00.00.0000		O.ENTLUEFTER*240N *KUGELRASTE*DW-O	3
061.07.01-1	914	1311.107.449	GEAR SHIFT SHAFT	1		00.00.0000		184,0/192,5*O.HEBEL *SCHUTZKAPPE+STOPFEN	3
061.08.02-1	926	1311.170.004	SHIFT TURRET	1		00.00.0000		184,0/192,5*GD	3
061.08.02-1	930	1311.170.005	COVER	1		00.00.0000			3
061.08.02-1	934	1311.170.801	COVER	1		00.00.0000		AUSLEGER KURZ	3
061.08.02-1	938	1311.170.022	CONNECTING PARTS	1		00.00.0000		NG-OEFF*BAJON*ADAPTER	3
061.12.03-1	922	1311.149.101	SET OF SPRINGS	1		00.00.0000		Q2*W044*184,0/279,0/373,0 *GG-RASTE SCHWACH	3
061.18.01-1	360	1311.108.013	SPEEDOMETER COVER	1		00.00.0000		E/Z 6*IMP.GEB*BAJONETT	3
061.18.01-1	370	1311.108.802	SPEEDOMETER COVER	1		00.00.0000		E-TACHO	3
061.92.59-1	480	6060.101.840	MOUNTING	1		00.00.0000		9XM18X1,5X85*1XM18X1,5X160*AL-GEHÄUSE	3
061.92.59-1	900	6060.101.572	CLUTCH HOUSING	1		00.00.0000		SAE 1*L=174,0 *M.KUPPL.VERST-6	3
061.92.59-1	920	6060.101.838	MOUNTING	1		00.00.0000		LAGERBOCK	3

VKF Incidence factor

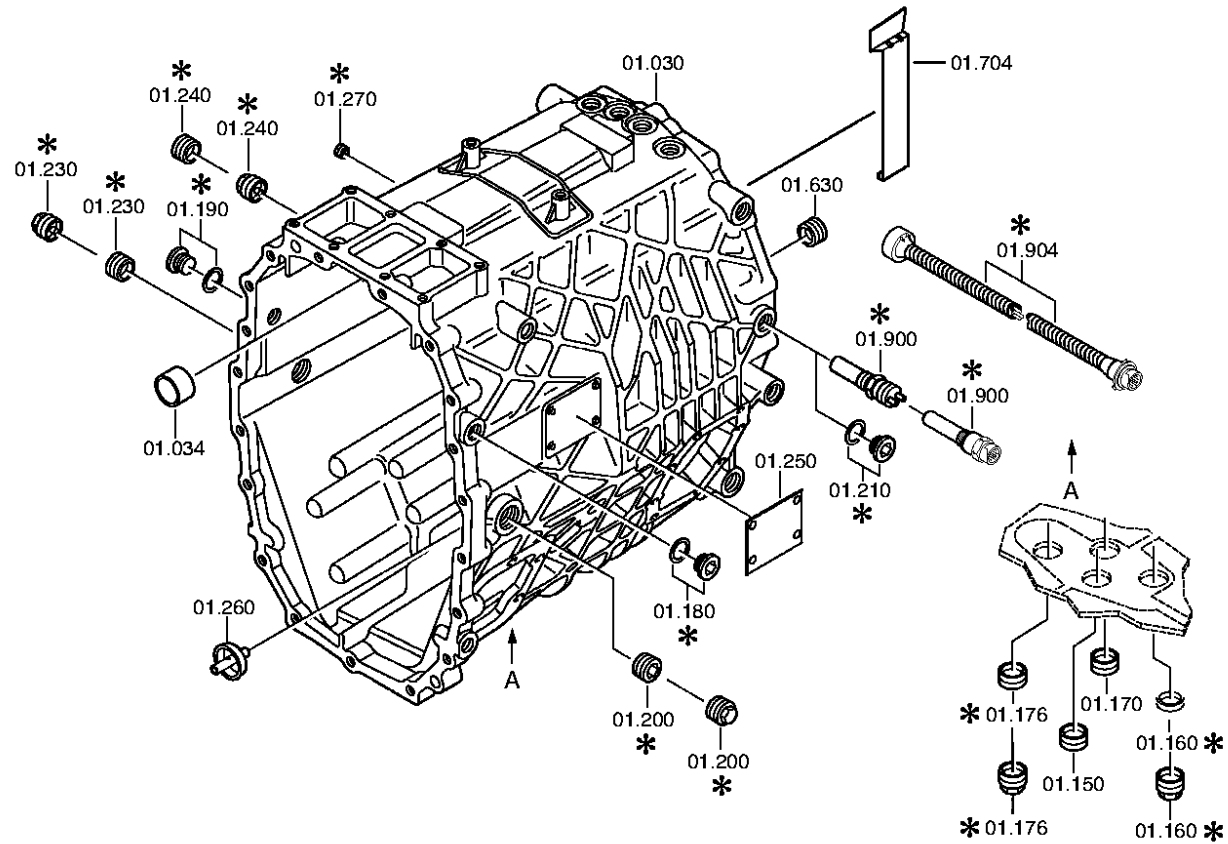
ID Identification (output code)

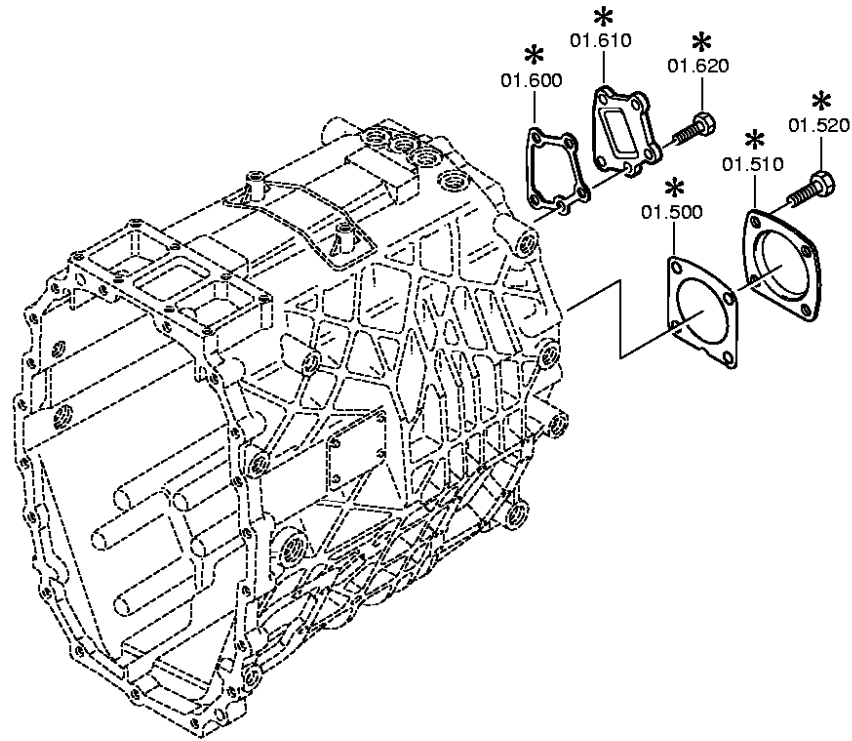


Graphics	Pos.	Material number	Name	VKF	Amend. no.	Amend. start	Prod. no.	Material feature / tech. info.	ID
061.93.30-1	910	6060.168.001	CLUTCH RELEASE DEVICE	1		00.00.0000		GABEL SW128	3

VKF Incidence factor

ID Identification (output code)

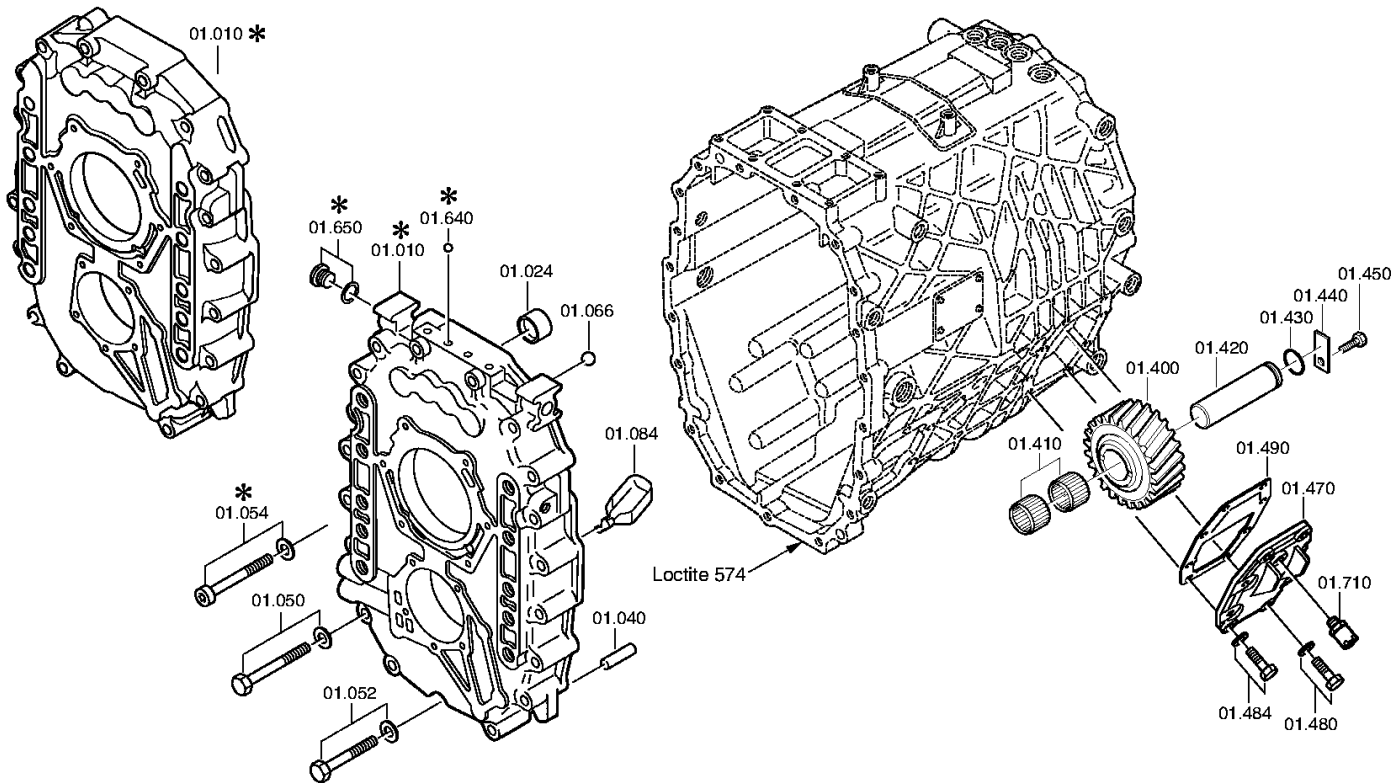


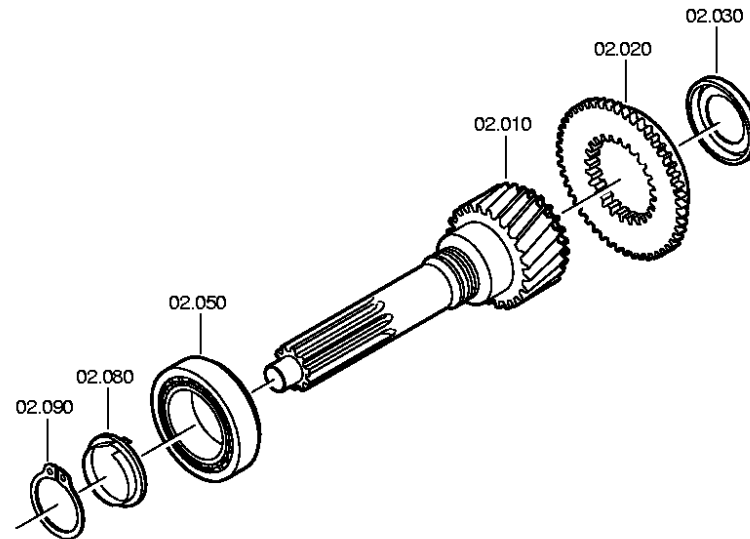


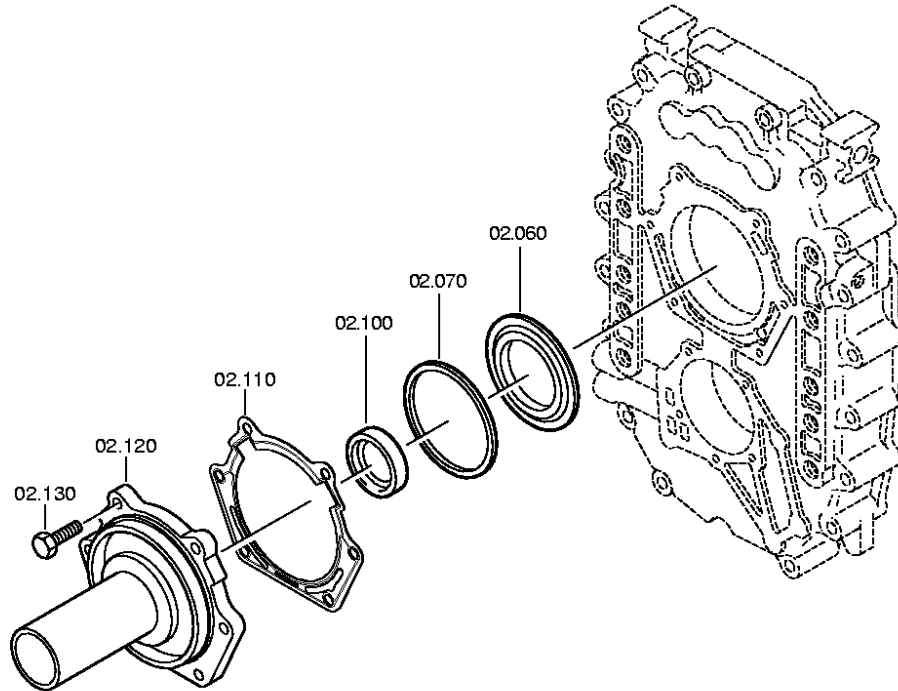


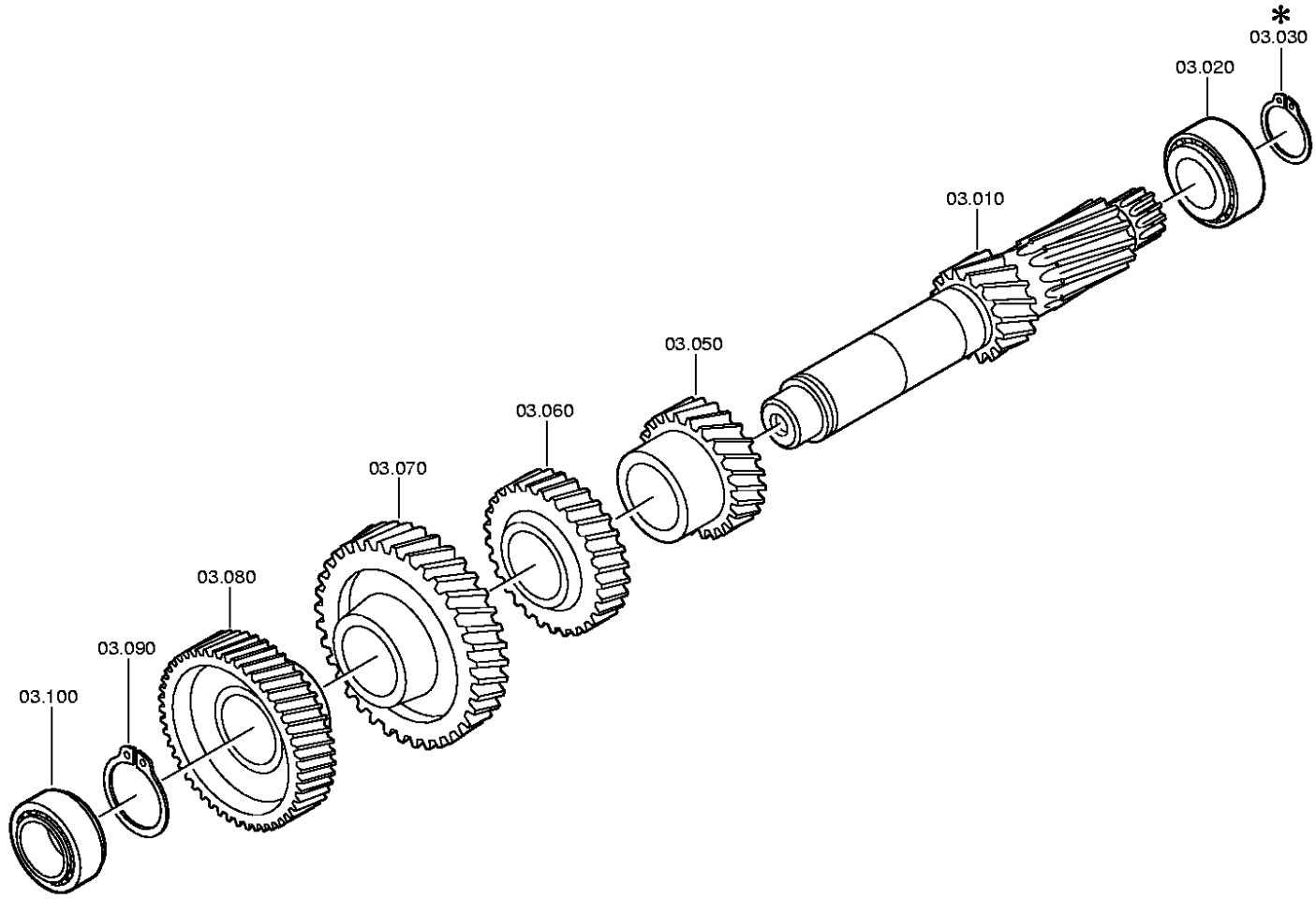
Bildtafel:
 Figure: 061.01.80
 Figure:
 Figura:

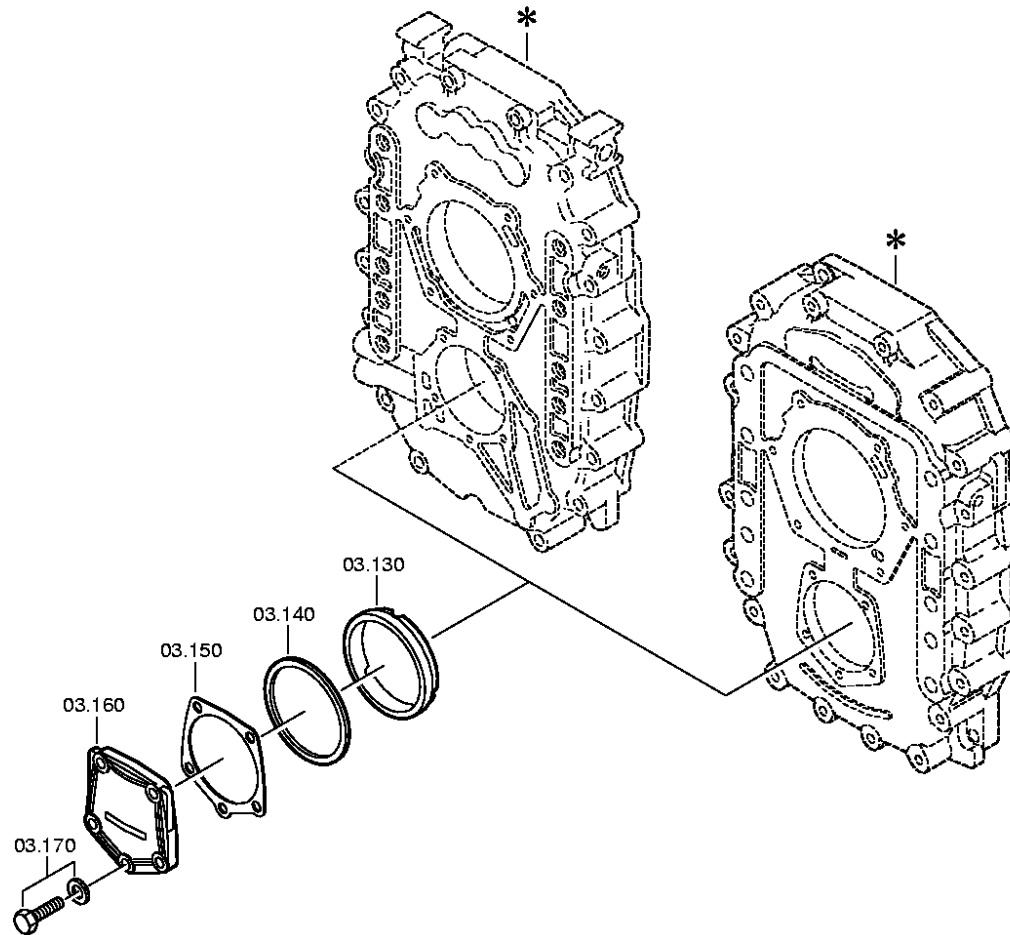
je nach Stücklistenausführung
 depending on spec. number
 * suivant la nomenclature
 secondo la distinta base

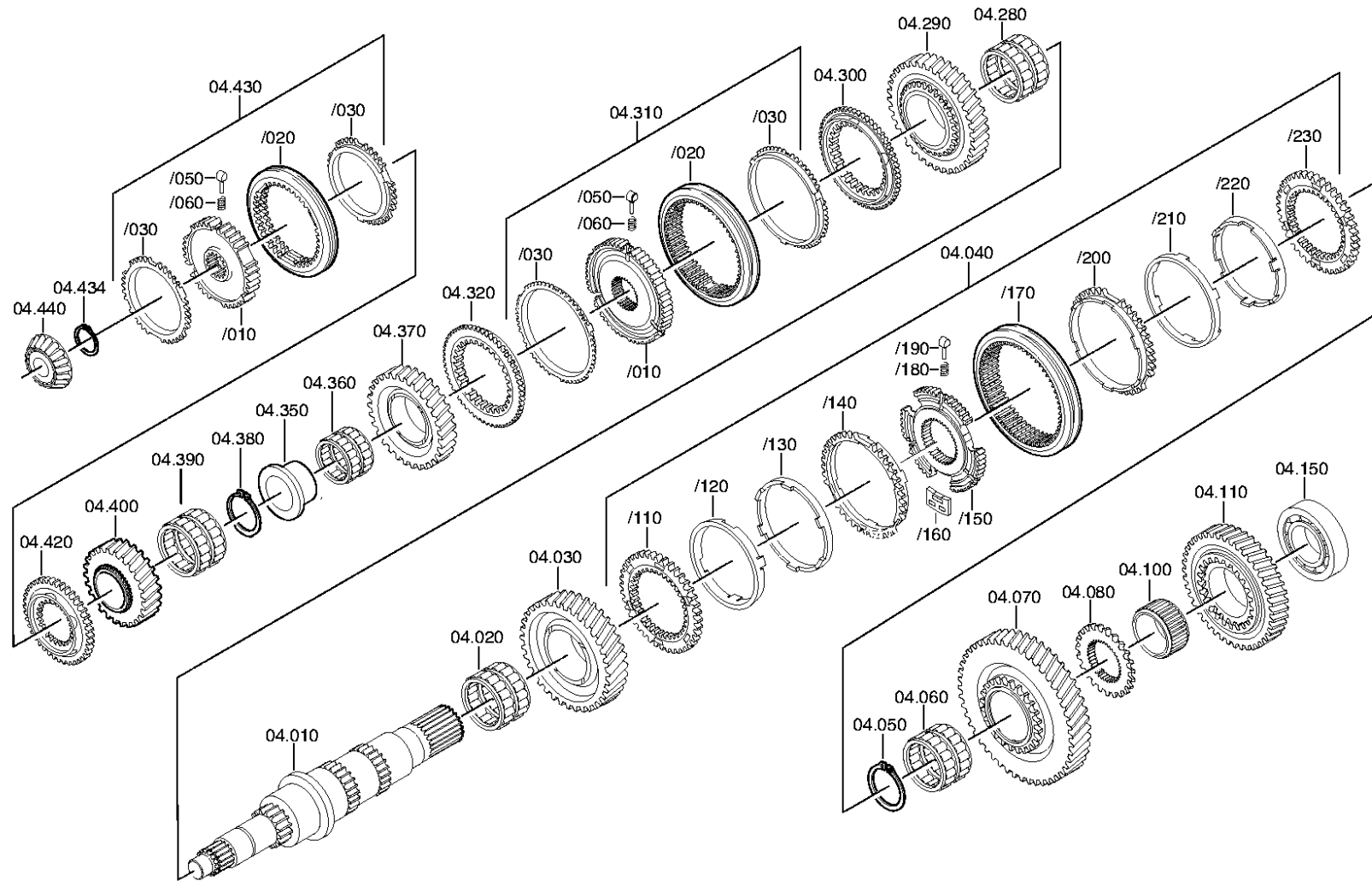


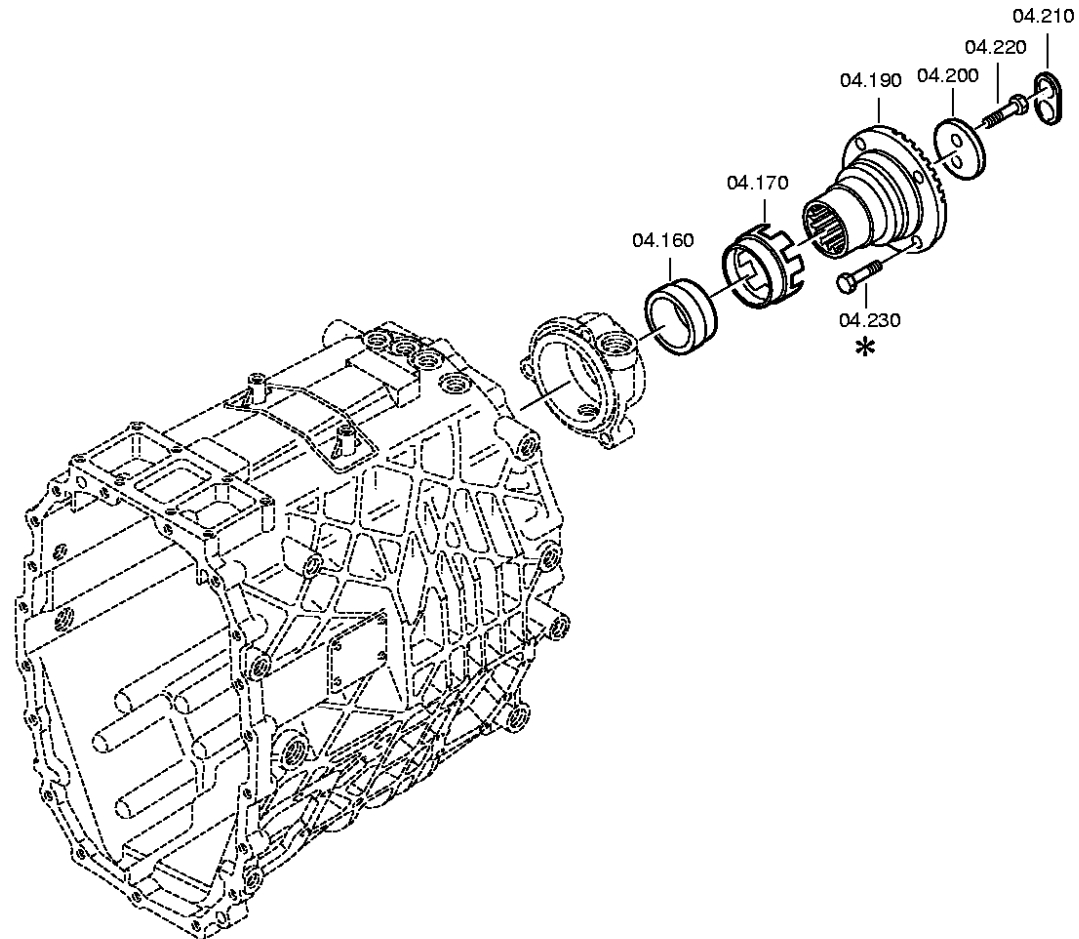


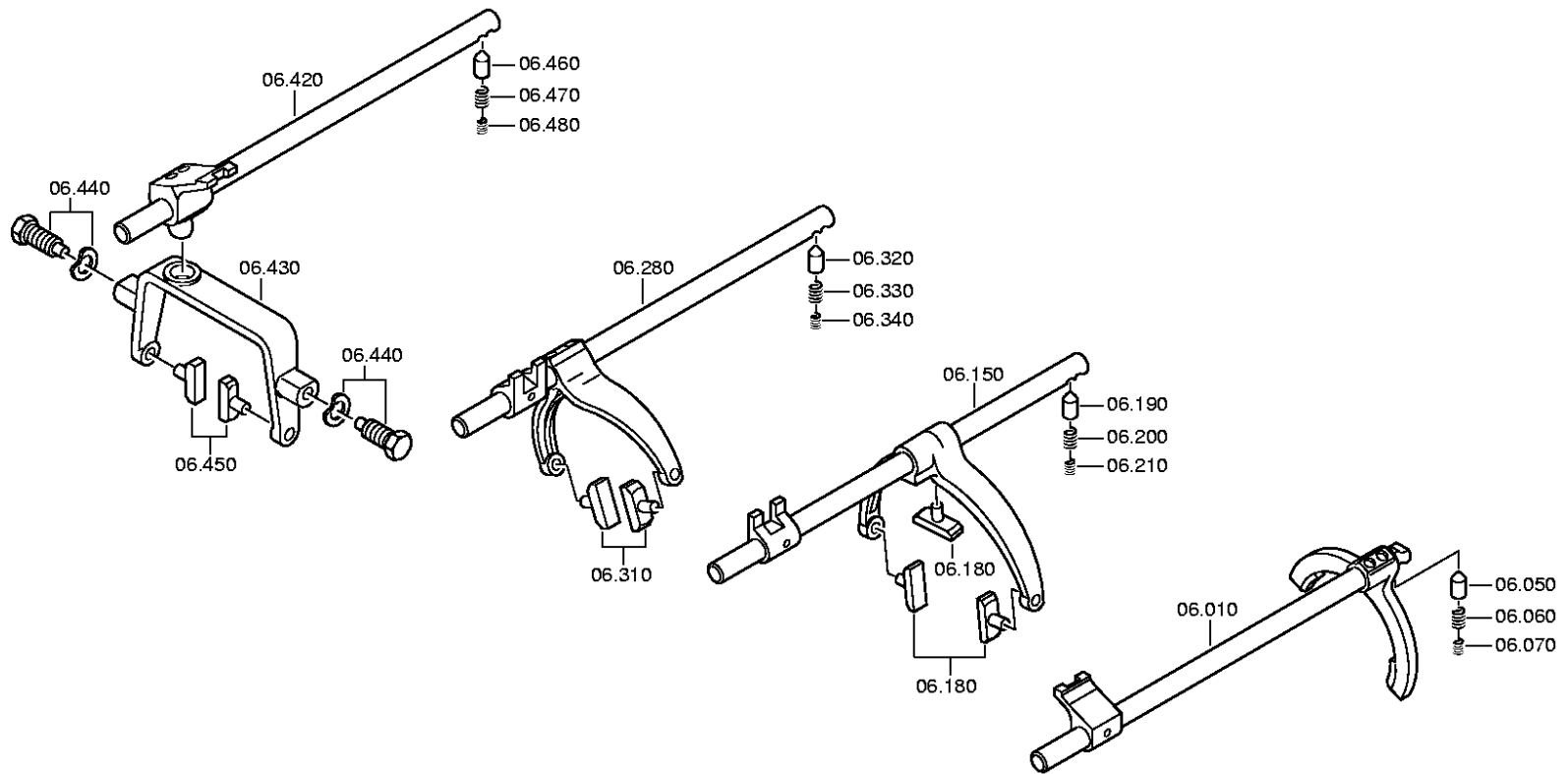


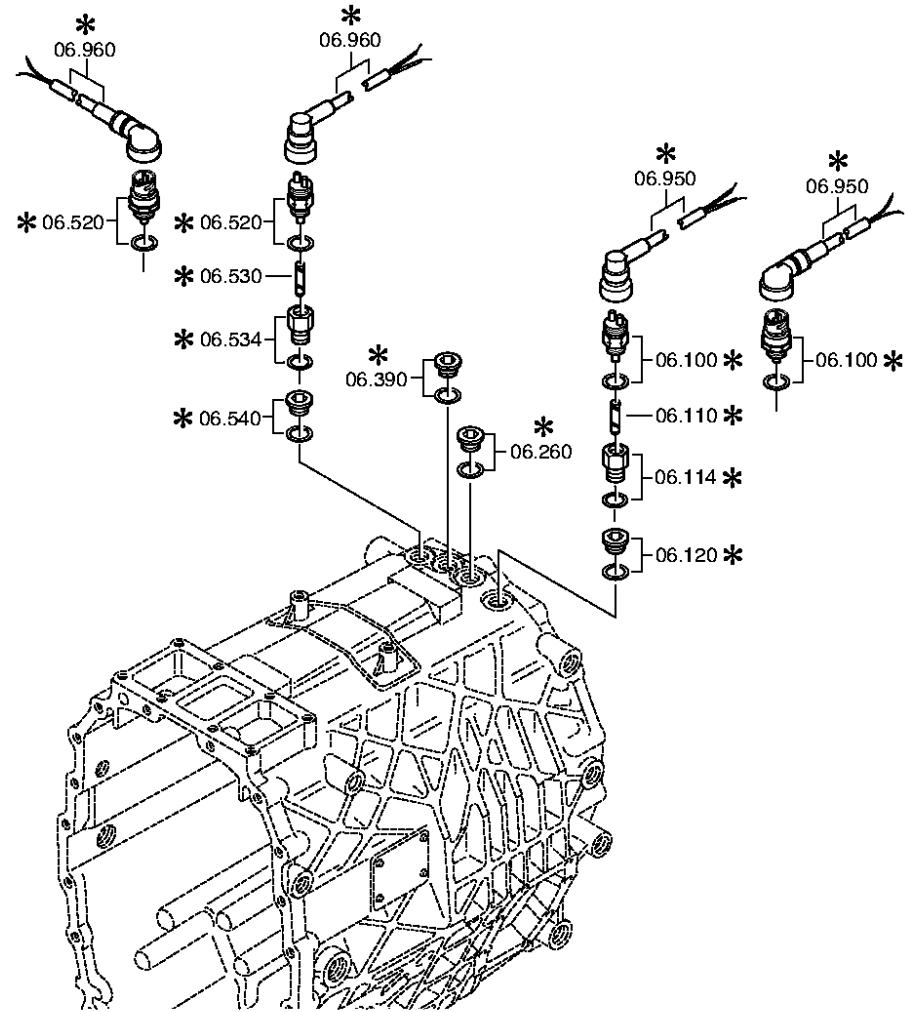










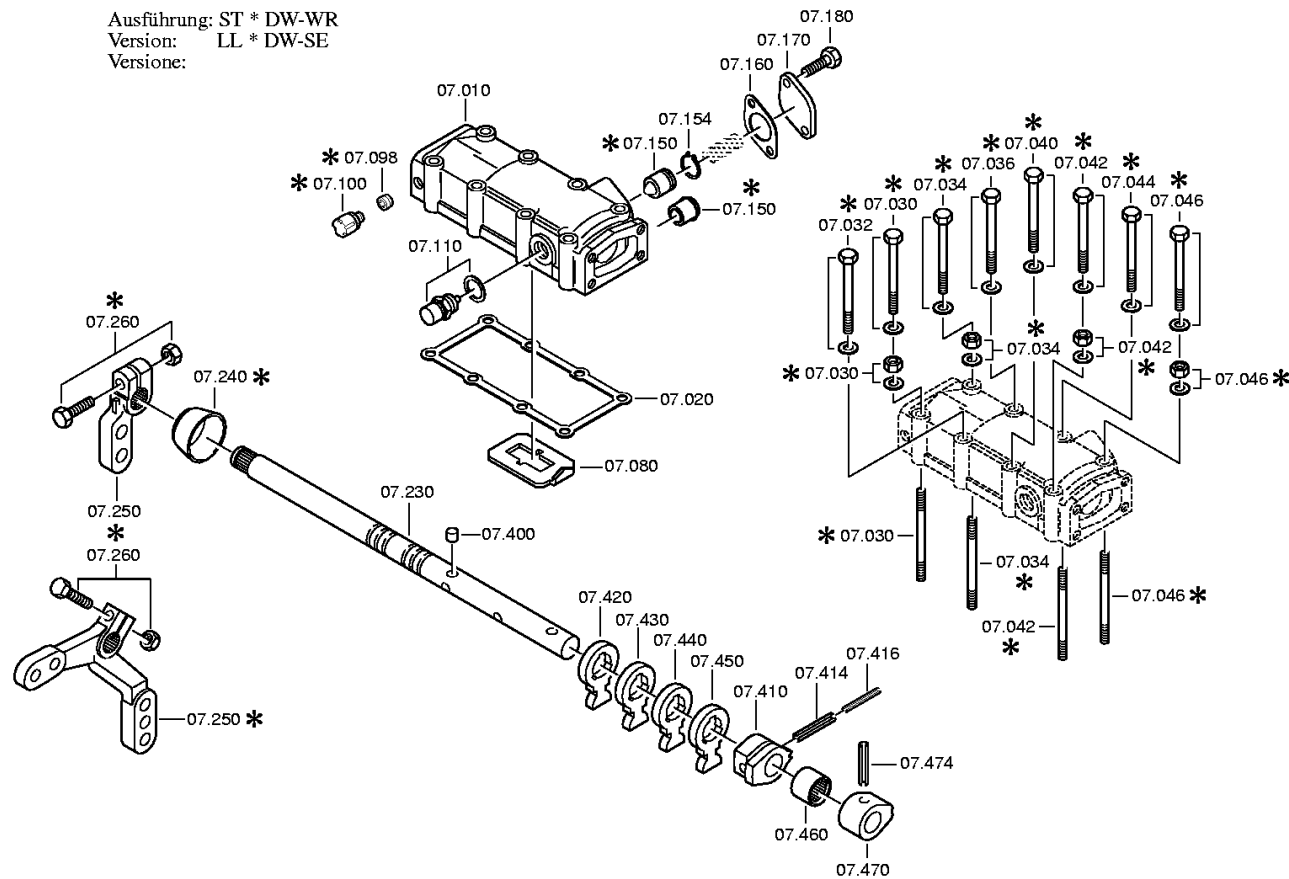




Bildtafel:
 Figure: 061.07.01-1
 Figure:
 Figura:

je nach Stücklistenausführung
 depending on spec. number
 * suivant la nomenclature
 secondo la distinta base

Ausführung: ST * DW-WR
 Version: LL * DW-SE
 Versione:





Ausführung: ST * DW-WL
 Version: LL * DW-SEU
 Versione: LR * DW-SE

