

Spare Parts Catalog

16 S 2531 TO

Material number: 1356.081.043

Current date: 28.11.2022

ZF Friedrichshafen AG
Hauptverwaltung
80038 Friedrichshafen
Deutschland

Telefon: +49 7541 77-0

Telefax: +49 7541 77-908000

zuständiges Werk:

www.zf.com

Notes relating to the spare parts catalog

Setup of the spare parts catalog

- Cover sheet
- Technical Cover (only in SDM print)
- Overview of figures
- Figure
- Associated parts list
- Next figure
- Associated parts list
- ...

Figure and parts list



Overview of figures

Bildtafel Figure	Sachnummer Product number	Benennung (Description)	Technische Info Technical info	Description (Benennung)	Menge Quantity	Einheit Unit
068.08.17	1316.170.001	AUSLEGER	WL	SHIFT TURRET	1	Stk
068.08.06	1316.170.031	DECKEL	WL*H-H *VM	COVER	1	Stk
068.08.14	1316.170.808	DECKEL	WL*AUSL+GEH*H-H*HF160N	COVER	1	Stk
08	1316.170.441	ANSCHLUSSTEILE	WL*NG-VORB*RG-SCHL*168N *BAJONETT	CONNECTING PARTS	1	Stk

The "gap" indicates that there is no separate graphics panel (poster) for this assembly
The parts of this assembly are shown with the same mid-section number on the figure

1 Positions and subpositions

Pos.	Sachnummer Product number	Benennung (Description)	Technische Info Technical info	Description (Benennung)	Menge Quantity	Einheit Unit
0370	1315.201.054	RUECKLAUFBOLZEN	KPL.16S151*SG*L= 79	REV.IDLER SHAFT	1	Stk
/0120	0631.329.293	SPANNSTIFT		SLOT. PIN	1	Stk

Positions marked with "/" are the individual items of a completion
For example: Position 0370 contains a centering pin with the position /0120

2 Combinations with standardized parts

Pos.	Sachnummer Product number	Benennung (Description)	Technische Info Technical info	Description (Benennung)	Menge Quantity	Einheit Unit
0630		VERSCHL.SCHR.		SCREW PLUG	1	Stk
	0636.302.067	VERSCHL.SCHR.		SCREW PLUG	1	Stk
	0634.801.249	DICHTRING	A 26 X 31	SEALING RING	1	Stk

The parts list shows the components included in the combination of standardized parts

3 Depiction of position/item number on the figure and in the parts list

01.620 - on the figure 01 relates to the assembly in which the position is included. Due to program-related reasons, it is shown on the figure.

0620 - in the parts list

Pos.	Sachnummer Product number	Benennung (Description)	Technische Info Technical info	Description (Benennung)	Menge Quantity	Einheit Unit
0620	0732.040.736	DRUCKFEDER		COMPRESSION SPRING	1	Stk

4 *-Positions

Positions marked with an * are optional i.e. inclusion in the parts list is not mandatory.
The following note is shown on the figure

je nach Stücklistenausführung
depending on spec. number
*
suivant la nomenclature
secondo la distinta base

5 Parts, dotted display

Parts with dotted display on the figure are only used for orientation of other parts

Technical Cover

Page 1 from 1

Material number: 1356.081.043

16 S 2531 TO /

Pos.	Information	Amendment number
001	Use case -----	
002	Customer CNHTC - China National Heavy Duty Truck Group	
003	City Jinan	
004	DUNS	
005	Vehicle / Apparatus -----	
006	Sales Name ZZ4256V324HD1	
007	Manufacturer CNHTC - China National Heavy Duty Truck Group	
008	Engineering Name	
009	Product Use TRUCK	
010	Vehicle/Hardware Type TRACTOR	
011	SOP	
012	Engine	
013	Sales Designation MC13.54-40	
014	Manufacturer CNHTC - China National Heavy Duty Truck Group	
015	Drivetrain type DIESEL	
016	Eng.Displ. 12419 cm3	
017	Cylinder 6	
018	Nom. power 397 kW	
019	RPM at nom. power 1900 1/min	
020	Nom. torque 2500 Nm	
021	RPM at nom. torque 1050 1/min	
022	Classification use case -----	
023	DESIGNATION, CLUTCH MFZ430	
024	MANUFACTURER, CLUTCH ZF-SACHS	
025	TOTAL NUMBER OF WHEELS 6	
026	NUMBER OF DRIVING WHEELS 4	
027	DYNAMIC TYRE RADIUS 524 mm	
028	REAR AXLE RATIO 4.11	
029	INERTIA TORQUE .137 kg/m2	
031	PERMISS.GROSS VEHICLE WEIGHT 25 t	
032	PERMISS.GROSS COMBIN.WEIGHT 49 t	

Assembly group overview

Page 1 from 1

Material number: 1356.081.043

16 S 2531 TO /

Picture	Pos.	Material number	Name	Quantity	Amend. no.	Techn. Info.
	910	1356.051.323	16 S 2531 TO	1		

Technical Cover

Page 1 from 1

Material number: 1356.051.323

16 S 2531 TO /

Pos.	Information	Amendment number
001	Use case -----	
002	Customer ZF Drivotech Co., Ltd.	
003	City Hangzhou, Zhejiang	
004	DUNS 54-526-6199	
005	Use case -----	
006	Customer China National Heavy Duty Truck	
007	City Jinan	
008	DUNS 65-389-6704	
009	Product description -----	
010	ATTACHED AGRREGATES 1 IT3 ECOSPLIT	
011	ATTACHM.POS.HEAT EXCHANGER BACK LEFT	
012	DES.CONN.HEAT EXCHANGER FLANGE-MOUNTED	
013	CLEANNESS SCALE NUMBER 1 20	
014	CLEANNESS SCALE NUMBER 2 16	
015	CLEANNESS SPECIFICATION ZFN 5015	
033	OIL CAPACITY, GEARBOX 25 dm3	
034	OIL FILL VARIANT EX WORKS	
035	OIL GRADE PERMISSIBLE ACC. TO TE-ML02	
036	OIL CLASS FIRST FILLING E	
037	CODING OUTER CONSERVATION KA2	
039	CODING INNER CONSERVATION KI1	
040	CONSERVATION SPECIFICATION ZFN 916	
041	COLOR JET BLACK	
042	COLOUR CLASSIFICATION ACC. TO RAL 9005	
043	PAINTING, ZF STANDARD 915 W	

Assembly group overview

Page 1 from 1

Material number: 1356.051.323

16 S 2531 TO /

Picture	Pos.	Material number	Name	Quantity	Amend. no.	Techn. Info.
	910	1356.007.165	16 S 253 TO IT	1		
155.A1.03-1	922	6093.050.100	IT 3 ECOSPLIT T	1		
155.E1.05-1	924	6093.101.805	ANCHORAGE	1		

Picture

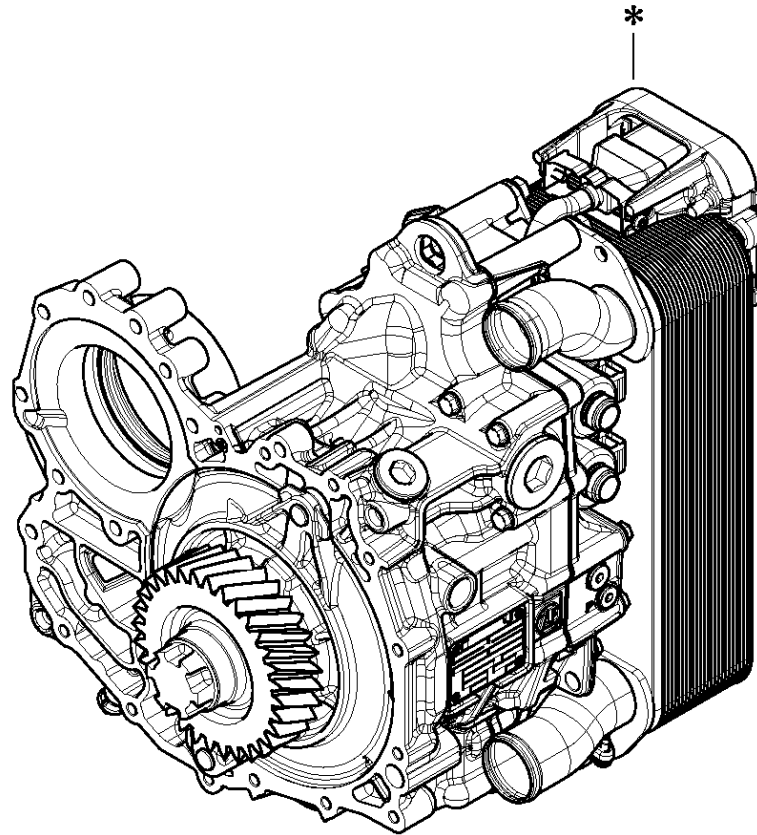
Page 1 from 1

Material number: 1356.051.323

Picture: 155.A1.03-1

Material-assembly-group-no: 6093.050.100

16 S 2531 TO /
IT 3 ECOSPLIT T



Picture

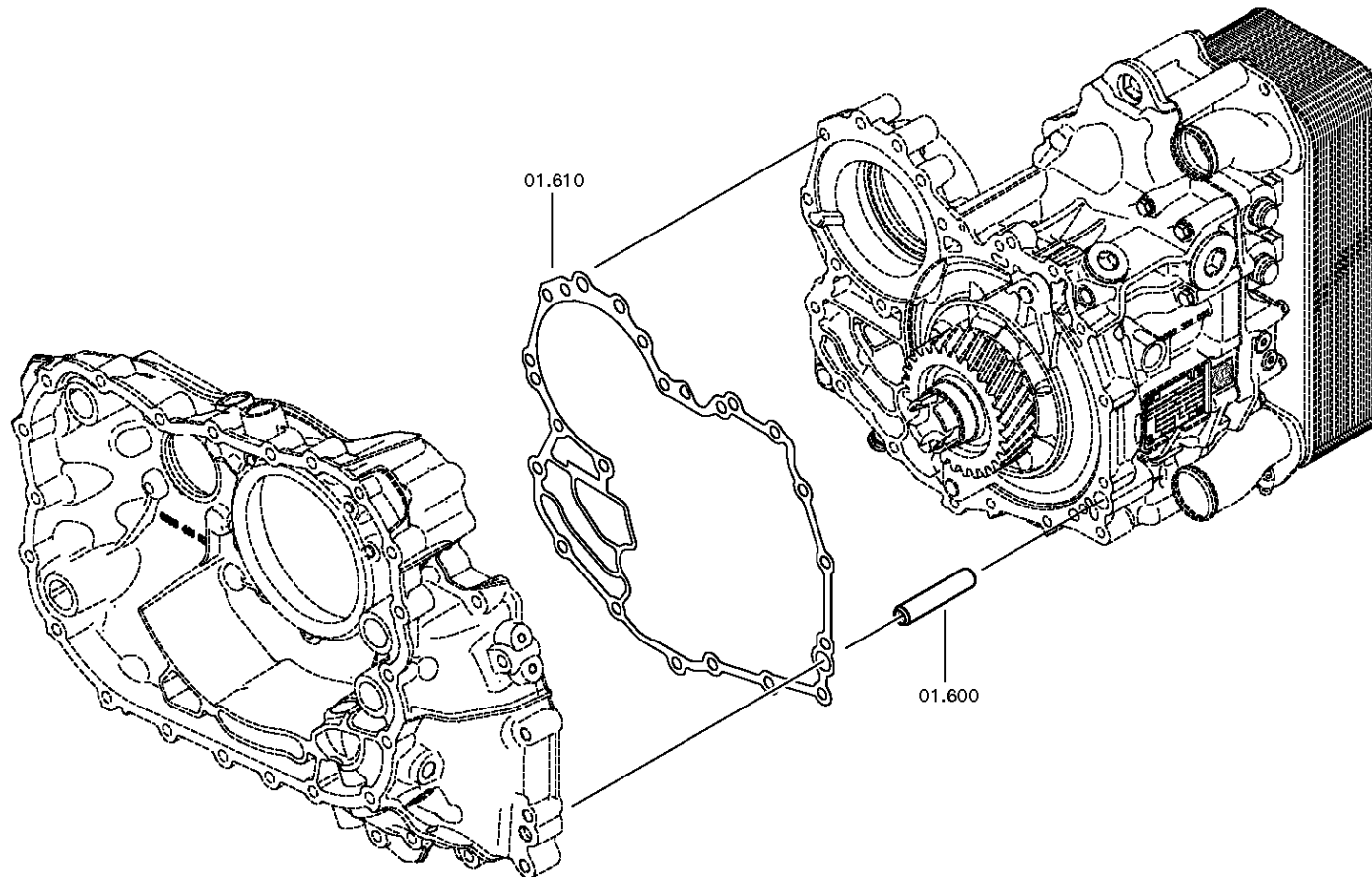
Page 1 from 3

Material number: 1356.051.323

Picture: 155.E1.05-1

Material-assembly-group-no: 6093.101.805

16 S 2531 TO /
ANCHORAGE



Picture

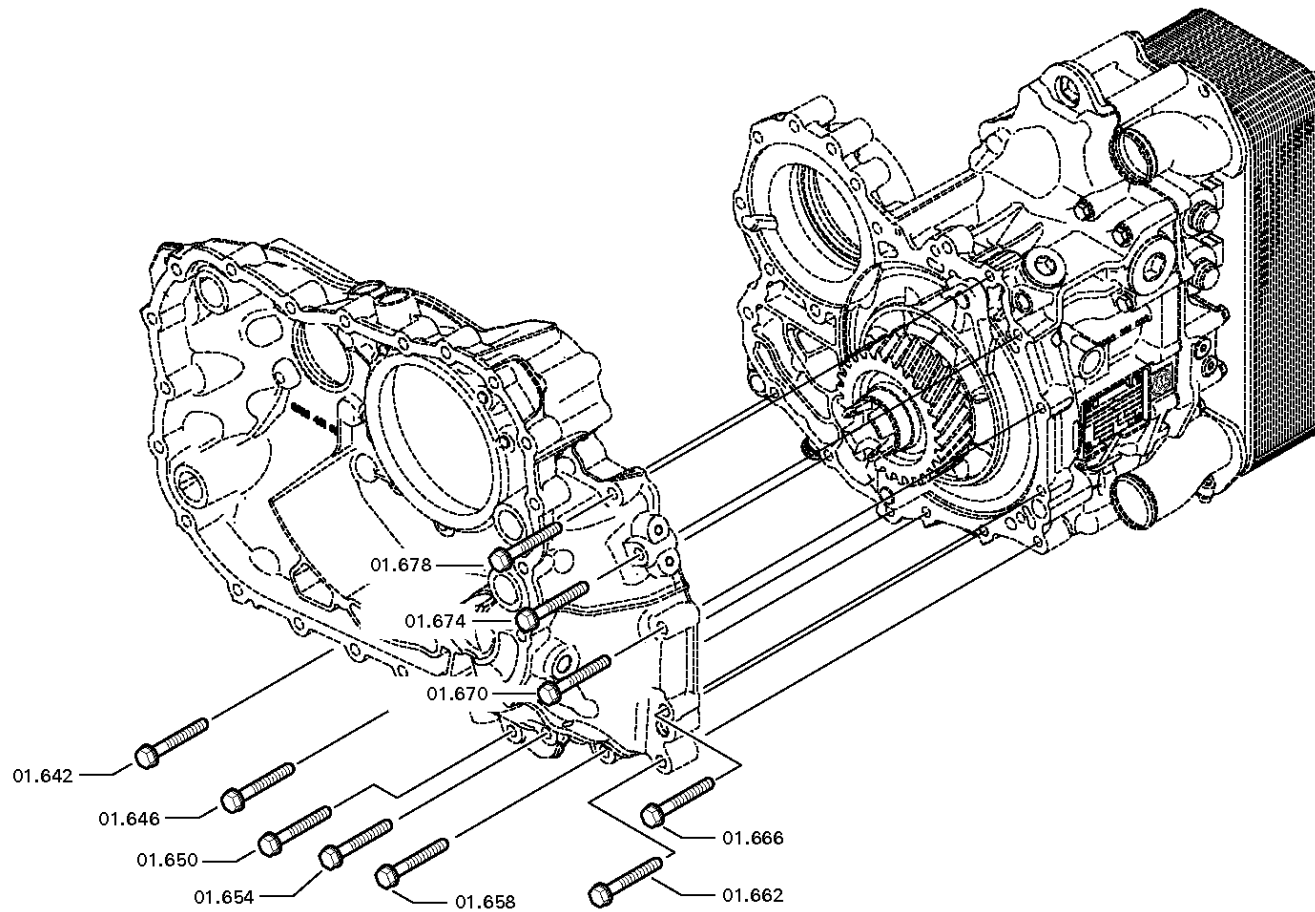
Page 2 from 3

Material number: 1356.051.323

Picture: 155.E1.05-2

Material-assembly-group-no: 6093.101.805

16 S 2531 TO /
ANCHORAGE



Picture

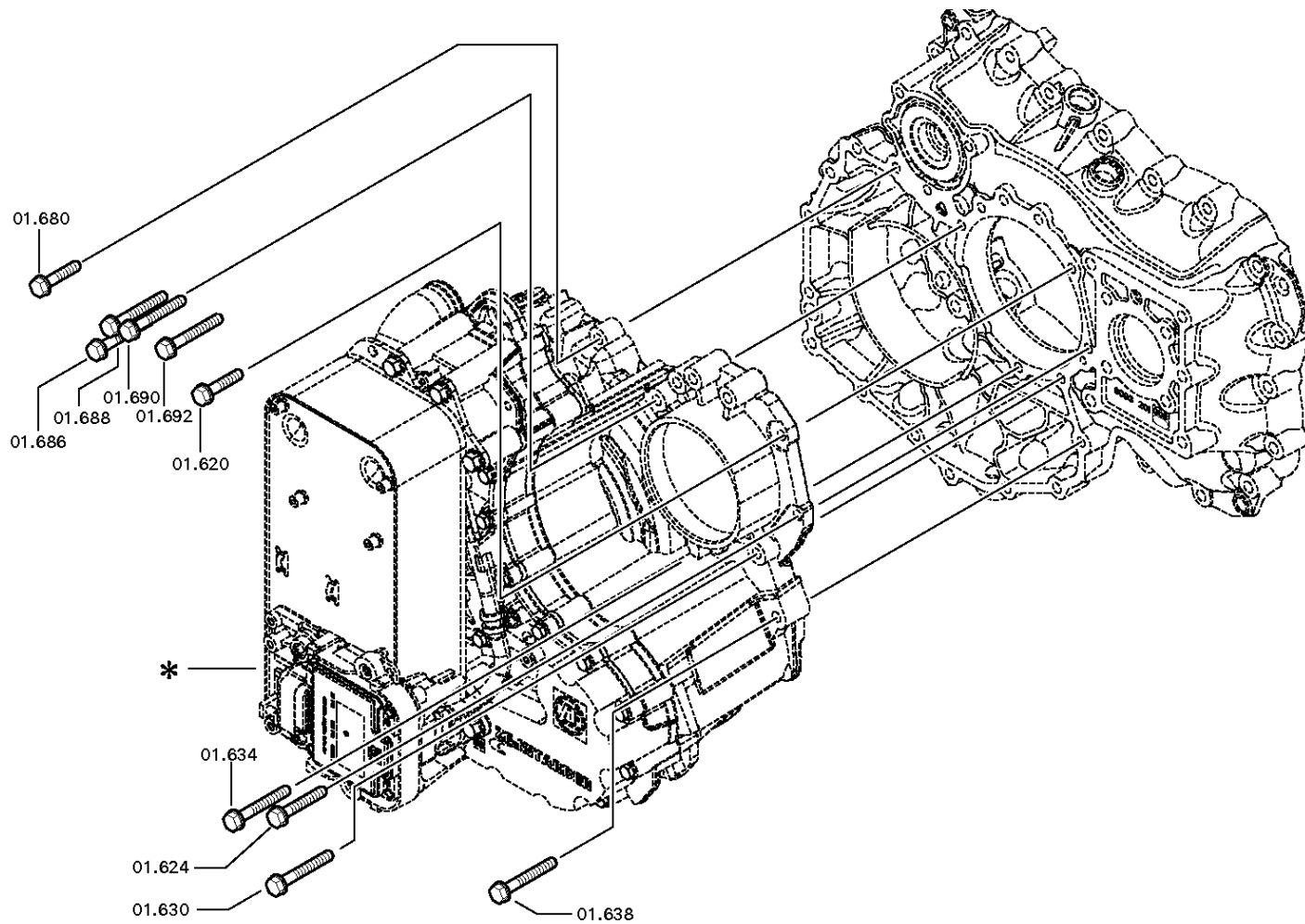
Page 3 from 3

Material number: 1356.051.323

Picture: 155.E1.05-3

Material-assembly-group-no: 6093.101.805

16 S 2531 TO /
ANCHORAGE



Picture

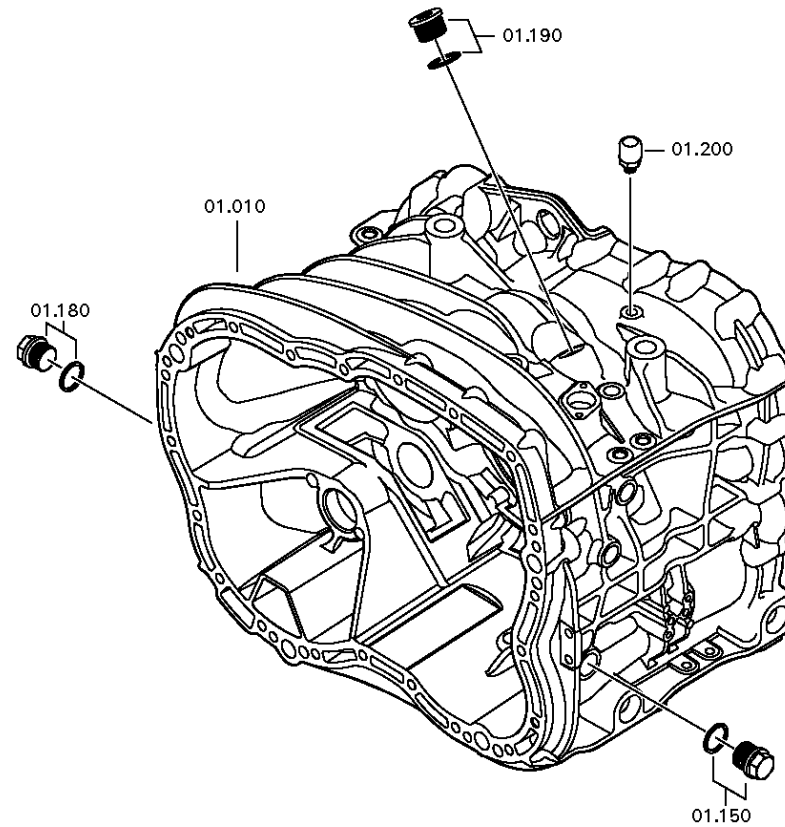
Page 1 from 2

Material number: 1356.007.165

Picture: 161.01.09-1

TRANSMISSION HOUSING

16 S 2531 TO /
TRANSMISSION HOUSING



Picture

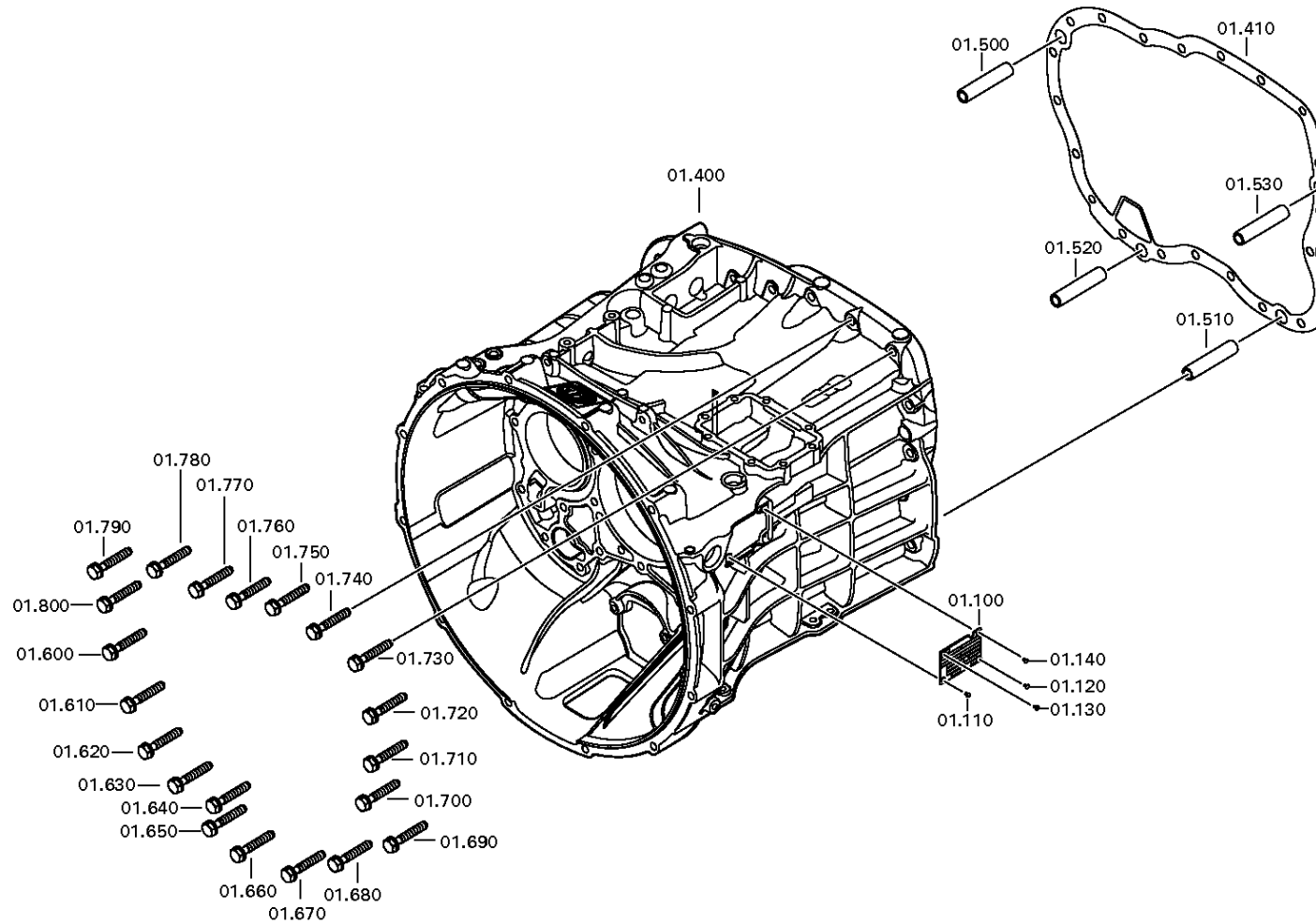
Page 2 from 2

Material number: 1356.007.165

Picture: 161.01.81-1

TRANSMISSION HOUSING

16 S 2531 TO /
TRANSMISSION HOUSING



Picture

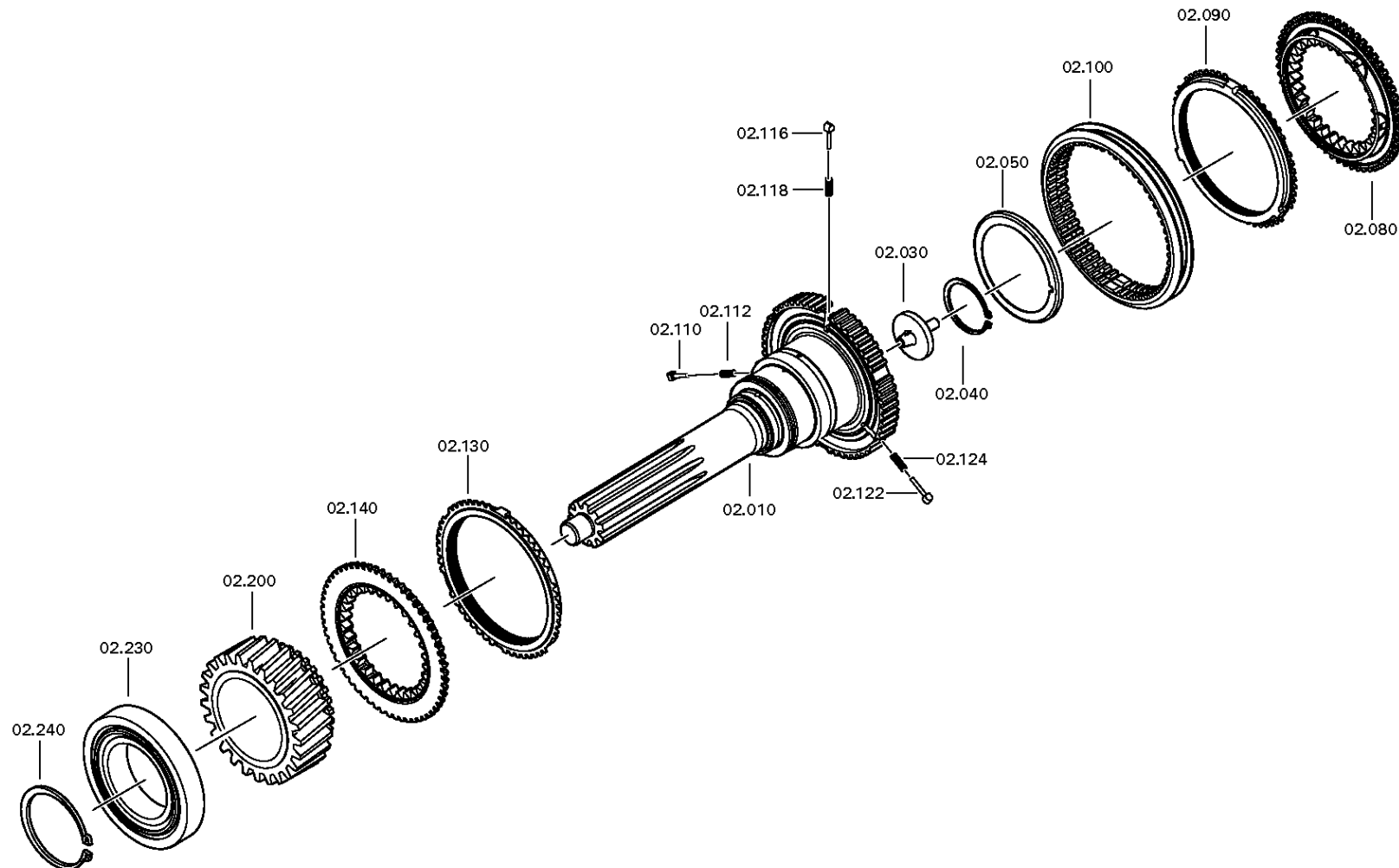
Page 1 from 3

Material number: 1356.007.165

Picture: 161.02.05-1

INPUT SHAFT

16 S 2531 TO /
INPUT SHAFT



Picture

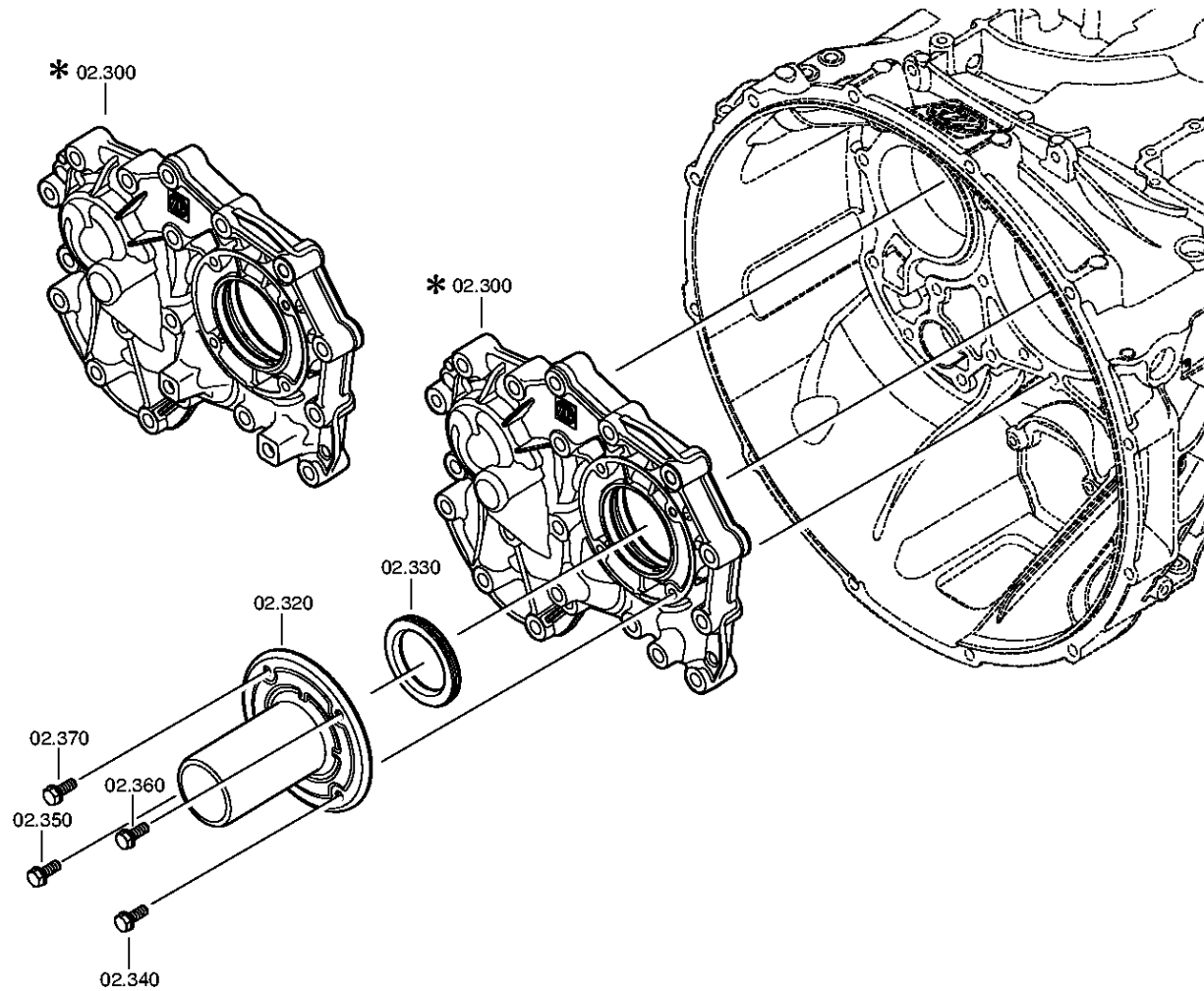
Page 2 from 3

Material number: 1356.007.165

Picture: 161.02.01-1

INPUT SHAFT

16 S 2531 TO /
INPUT SHAFT



Picture

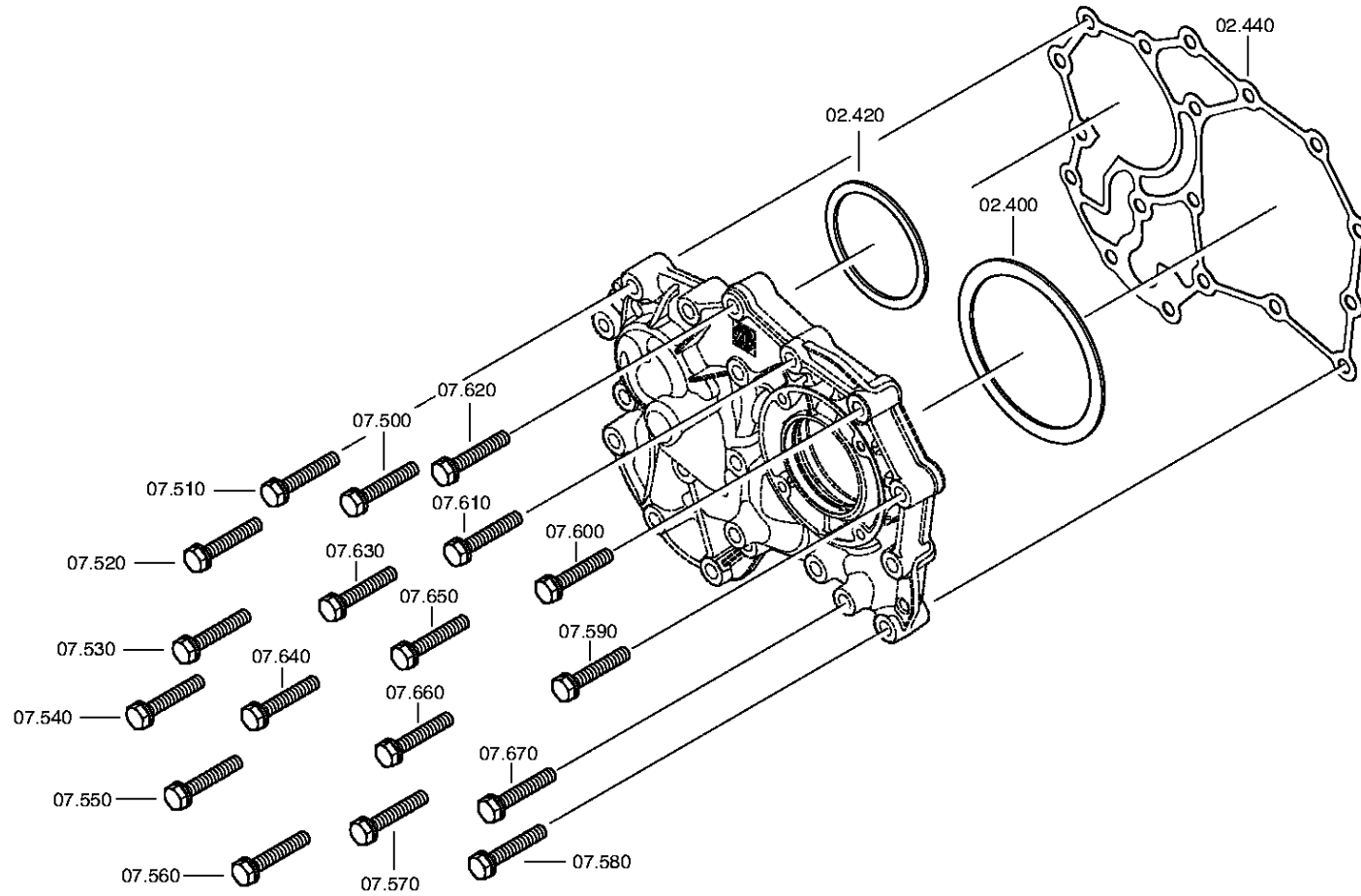
Page 3 from 3

Material number: 1356.007.165

Picture: 161.02.80-1

INPUT SHAFT

16 S 2531 TO /
INPUT SHAFT



Picture

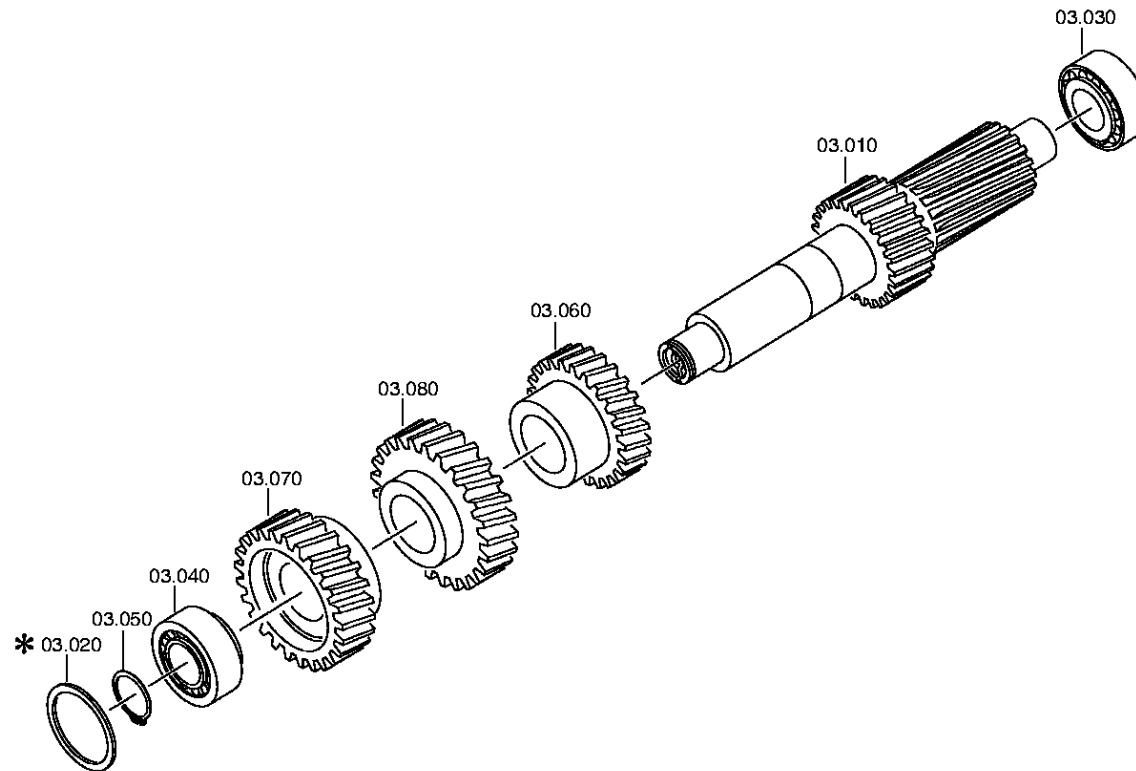
Page 1 from 1

Material number: 1356.007.165

Picture: 068.03.01-1

Material-assembly-group-no: 1316.103.013

16 S 2531 TO /
COUNTERSHAFT



Picture

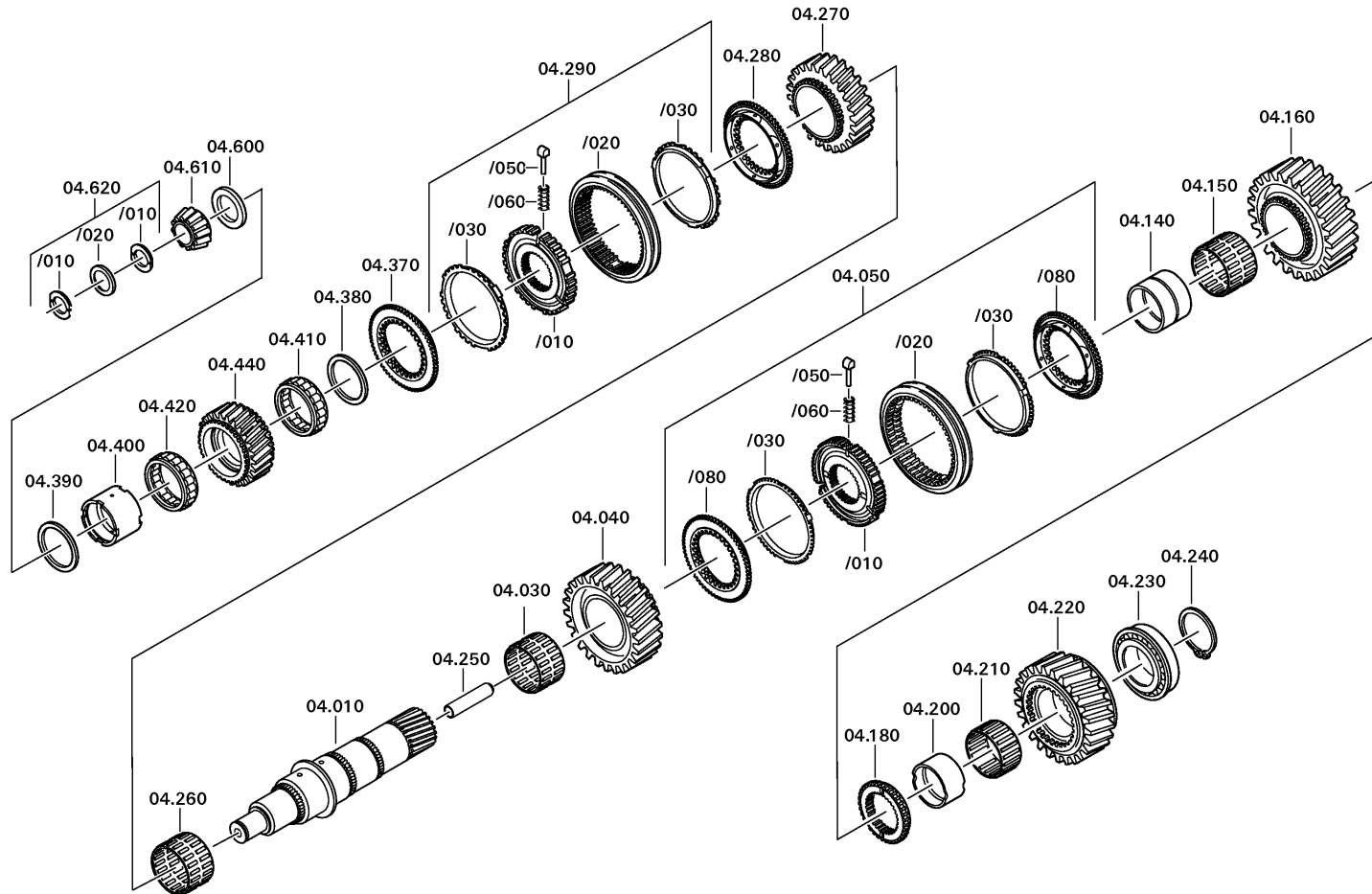
Page 1 from 1

Material number: 1356.007.165

Picture: 161.04.12-1

Material-assembly-group-no: 1356.104.027

16 S 2531 TO /
MAIN SHAFT



Picture

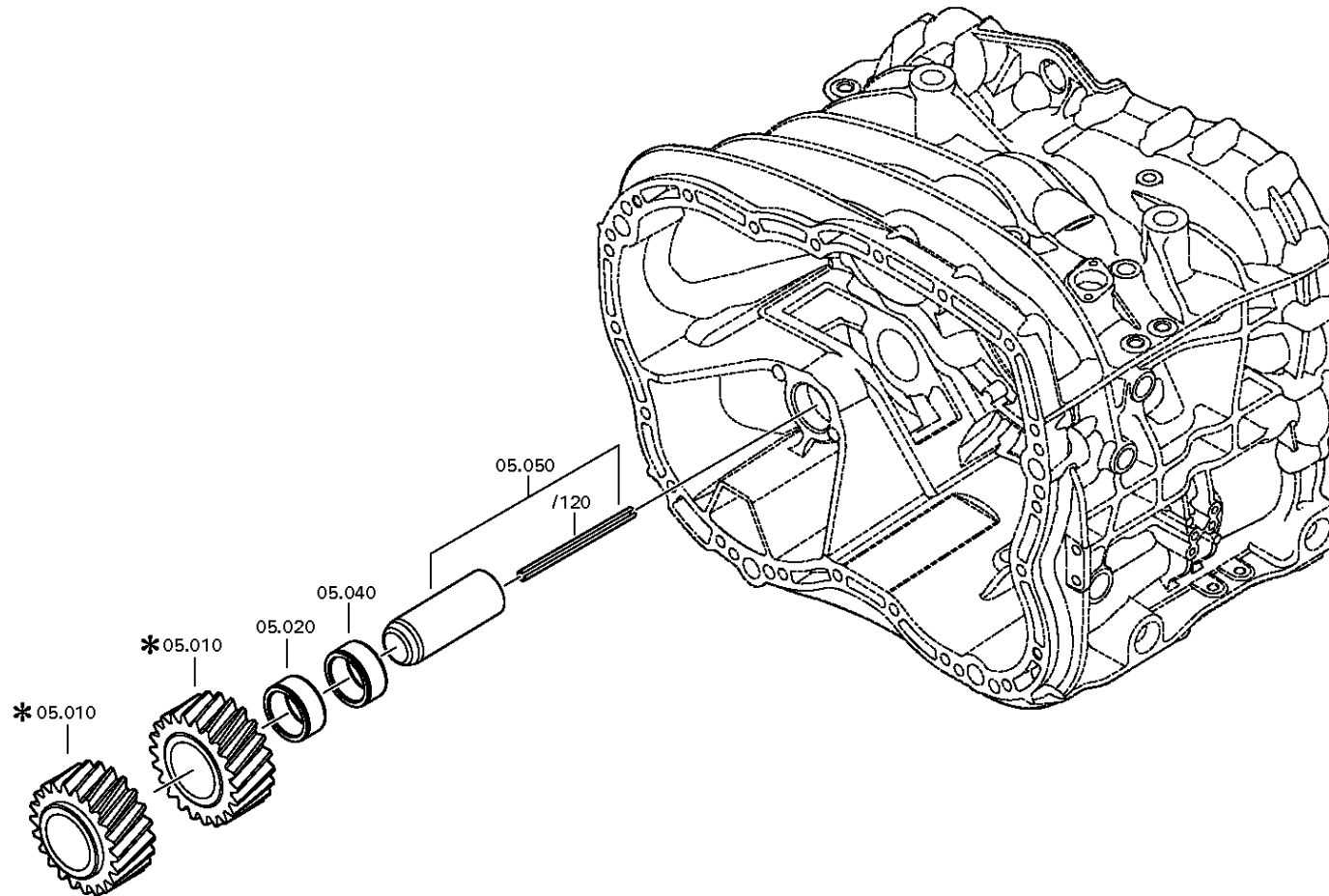
Page 1 from 1

Material number: 1356.007.165

Picture: 161.05.01-1

Material-assembly-group-no: 1325.105.002

16 S 2531 TO /
RETURN

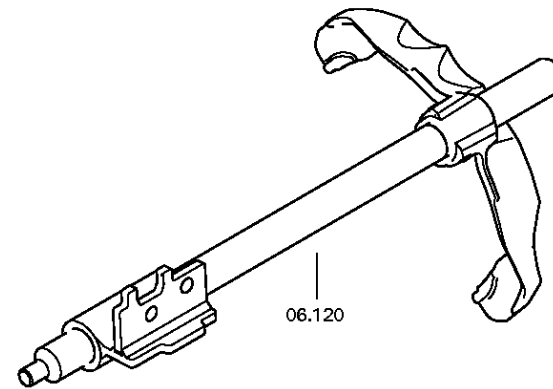
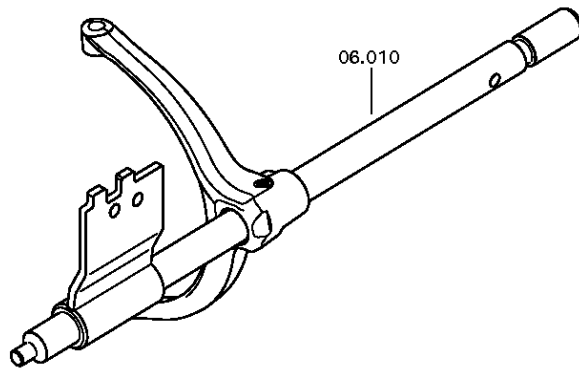
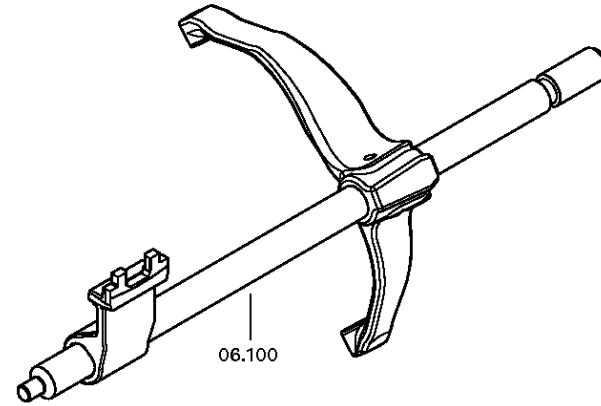


Picture

Page 1 from 2

Material number: 1356.007.165
Picture: 161.06.04-1
TRANSMISSION SHIFT SYSTEM

16 S 2531 TO /
TRANSMISSION SHIFT SYSTEM

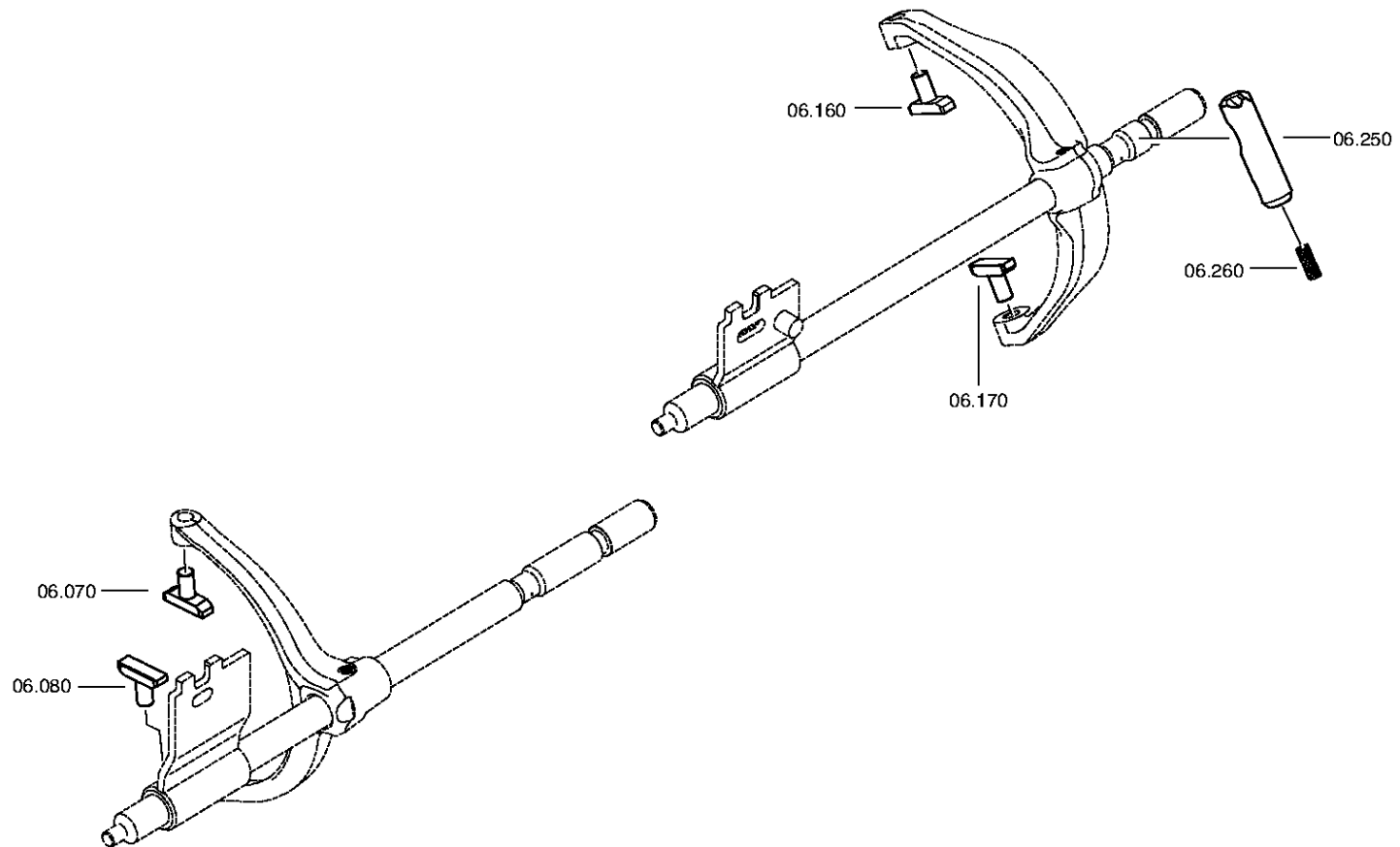


Picture

Page 2 from 2

Material number: 1356.007.165
Picture: 161.06.02-1
TRANSMISSION SHIFT SYSTEM

16 S 2531 TO /
TRANSMISSION SHIFT SYSTEM



Picture

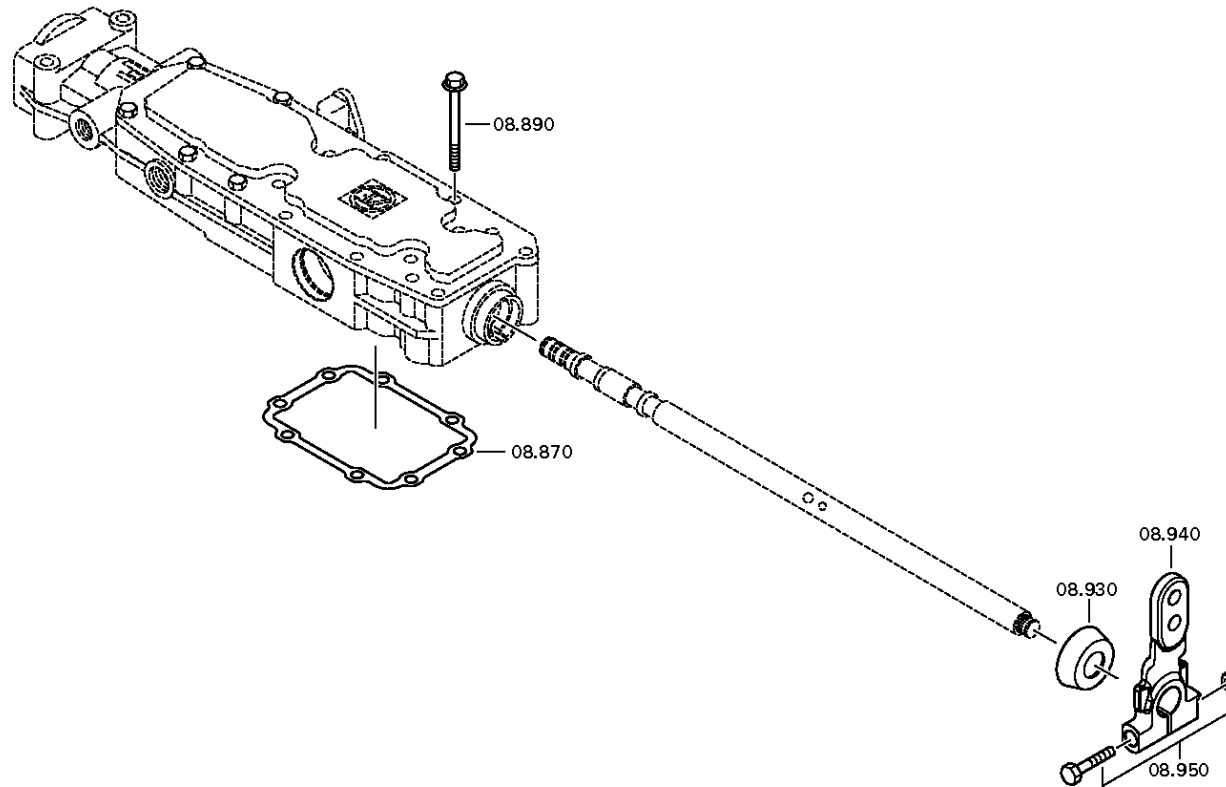
Page 1 from 4

Material number: 1356.007.165

Picture: 068.07.108-1

GEAR SHIFT HOUSING

16 S 2531 TO /
GEAR SHIFT HOUSING



Picture

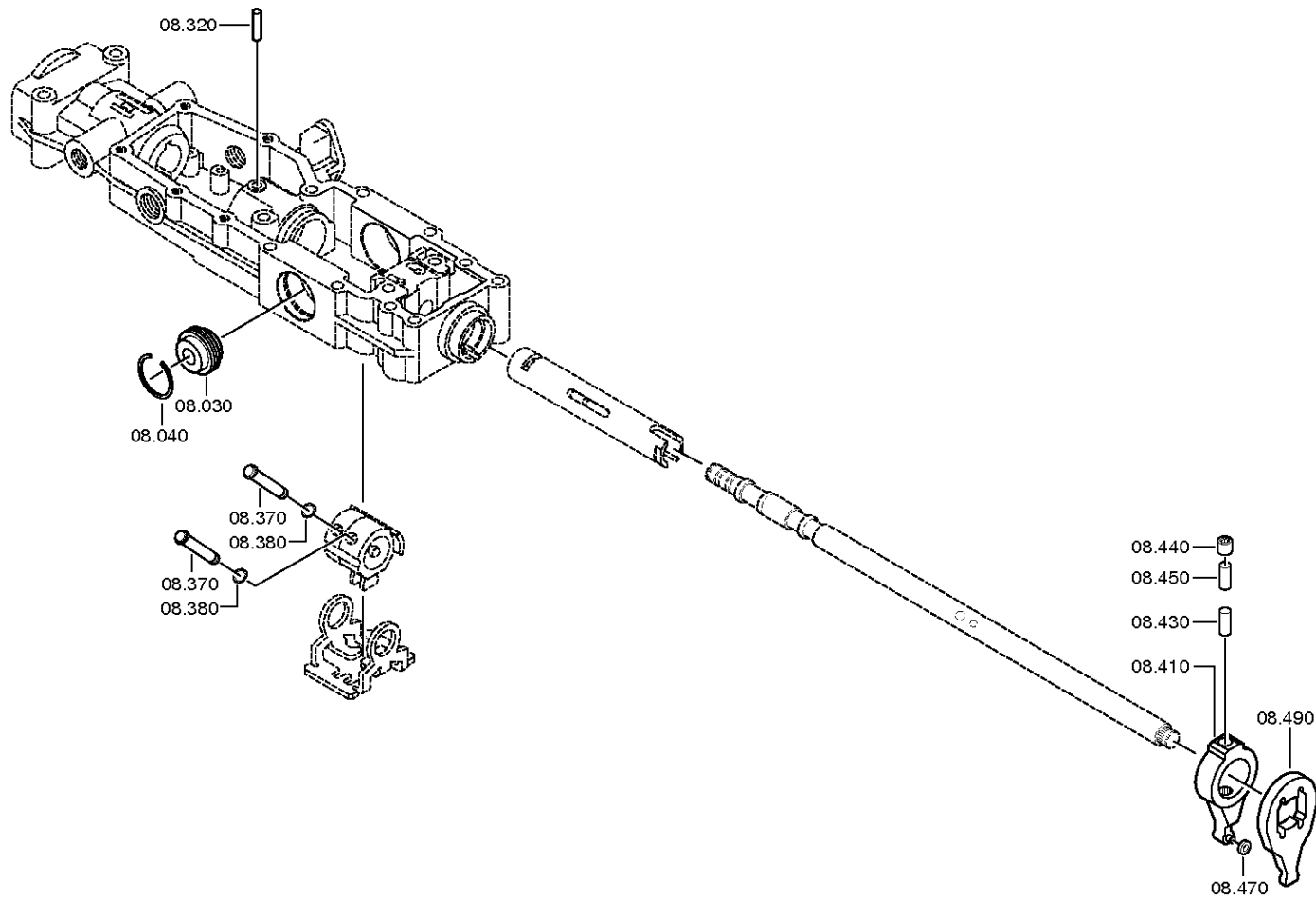
Page 2 from 4

Material number: 1356.007.165

Picture: 068.07.25-1

GEAR SHIFT HOUSING

16 S 2531 TO /
GEAR SHIFT HOUSING



Picture

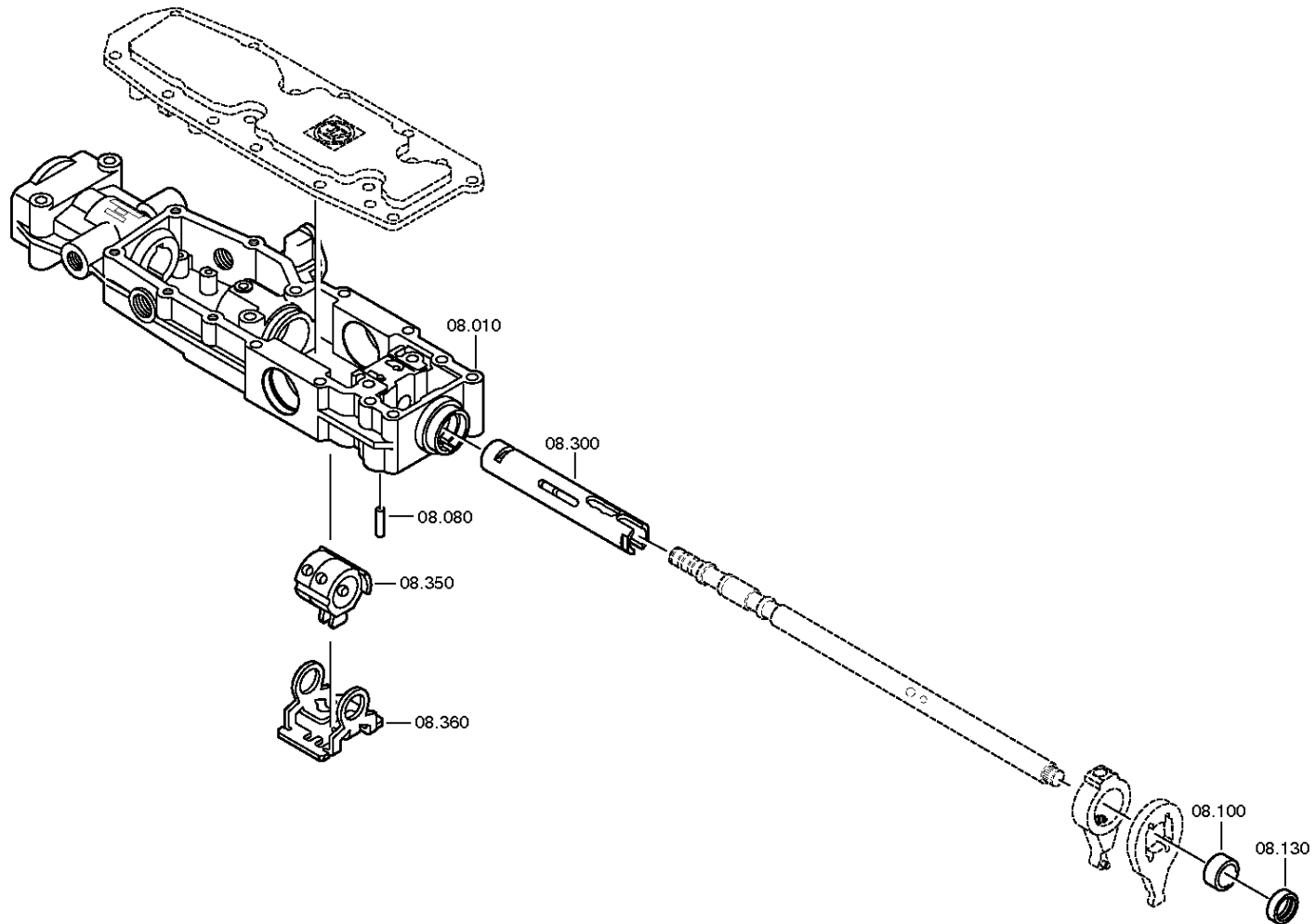
Page 3 from 4

Material number: 1356.007.165

Picture: 068.07.38-1

GEAR SHIFT HOUSING

16 S 2531 TO /
GEAR SHIFT HOUSING



Picture

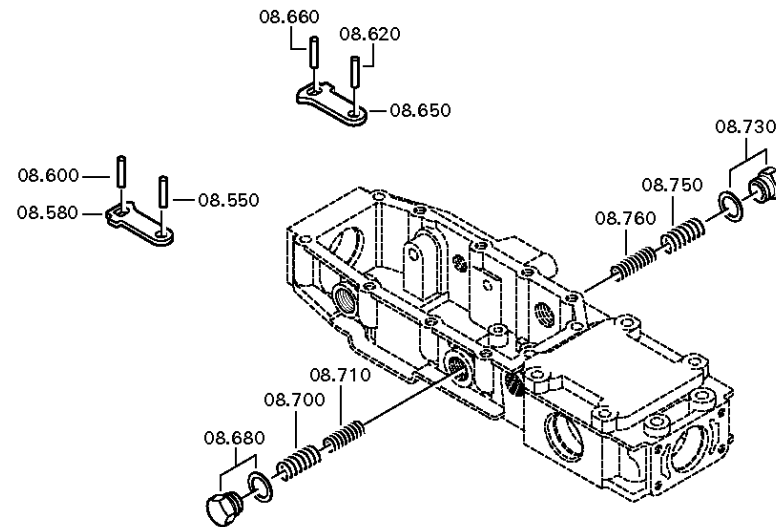
Page 4 from 4

Material number: 1356.007.165

Picture: 068.07.75-1

GEAR SHIFT HOUSING

16 S 2531 TO /
GEAR SHIFT HOUSING



Picture

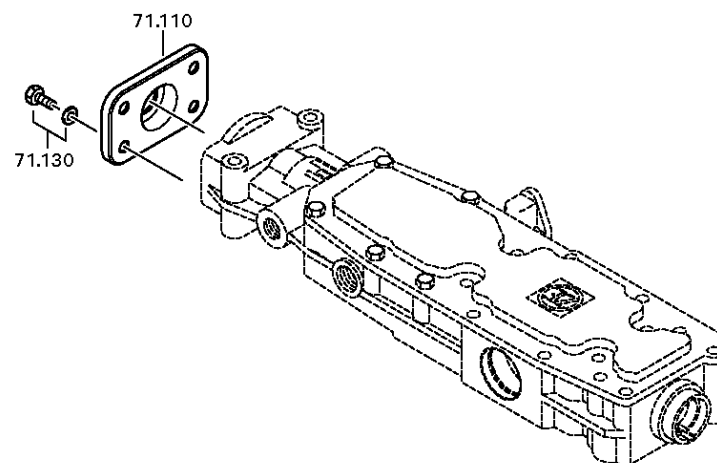
Page 1 from 3

Material number: 1356.007.165

Picture: 062.08.30-1

END COVER

16 S 2531 TO /
END COVER



Picture

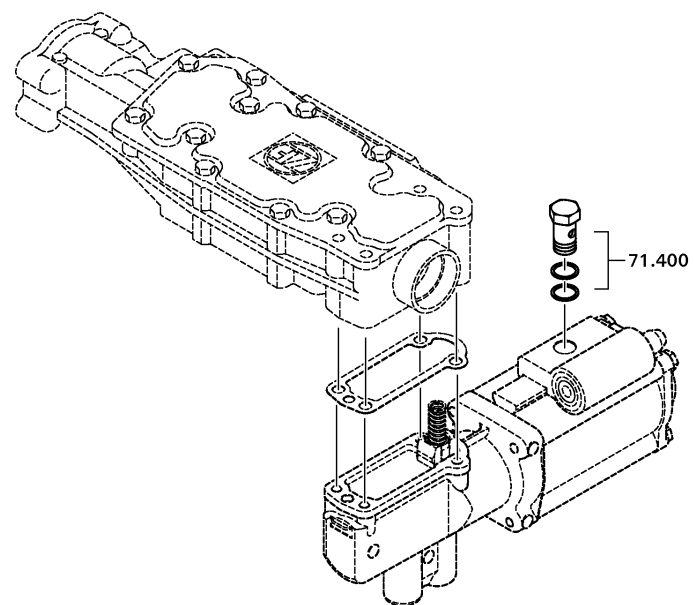
Page 2 from 3

Material number: 1356.007.165

Picture: 068.008.054-1

END COVER

16 S 2531 TO /
END COVER



Picture

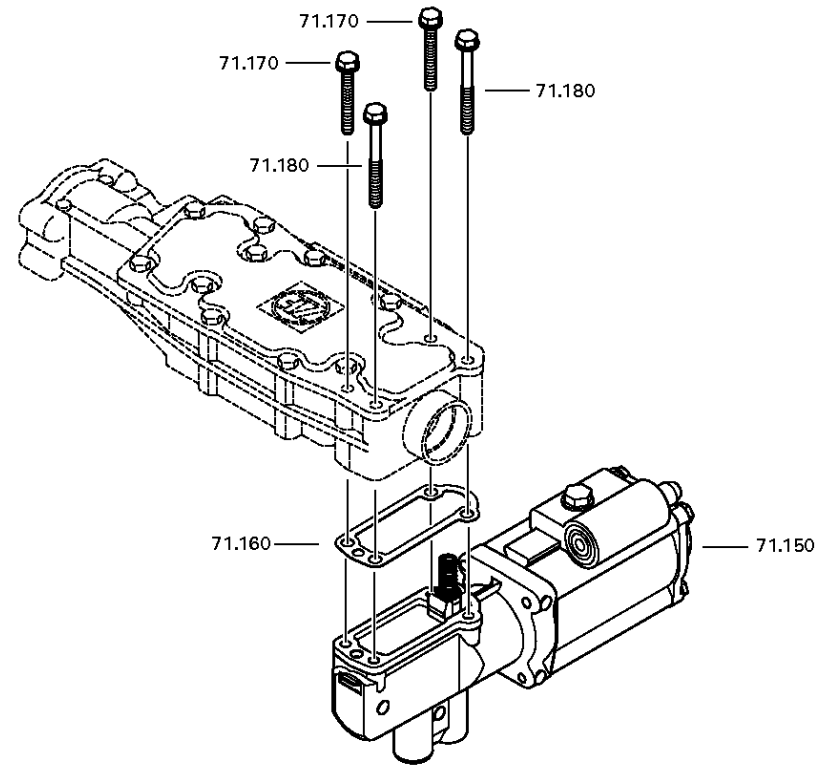
Page 3 from 3

Material number: 1356.007.165

Picture: 068.08.45-1

END COVER

16 S 2531 TO /
END COVER



Picture

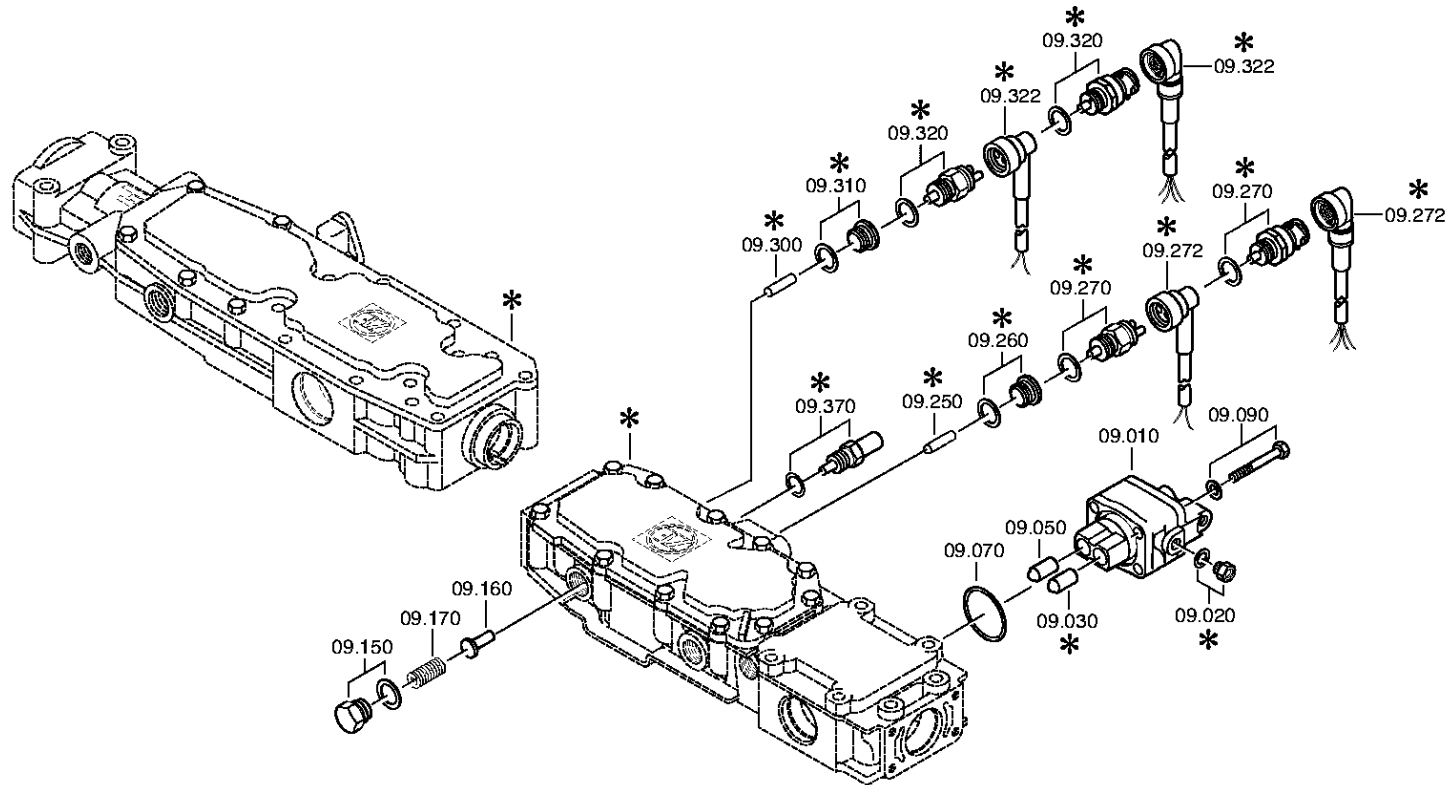
Page 1 from 2

Material number: 1356.007.165

Picture: 068.09.01-1

CONNECTING PARTS

16 S 2531 TO /
CONNECTING PARTS



Picture

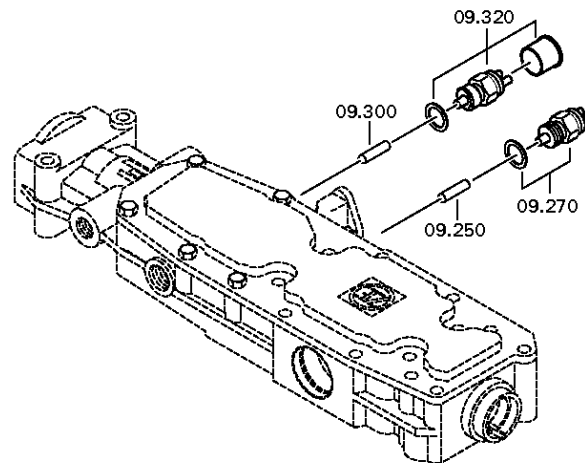
Page 2 from 2

Material number: 1356.007.165

Picture: 068.09.11-1

CONNECTING PARTS

16 S 2531 TO /
CONNECTING PARTS



Picture

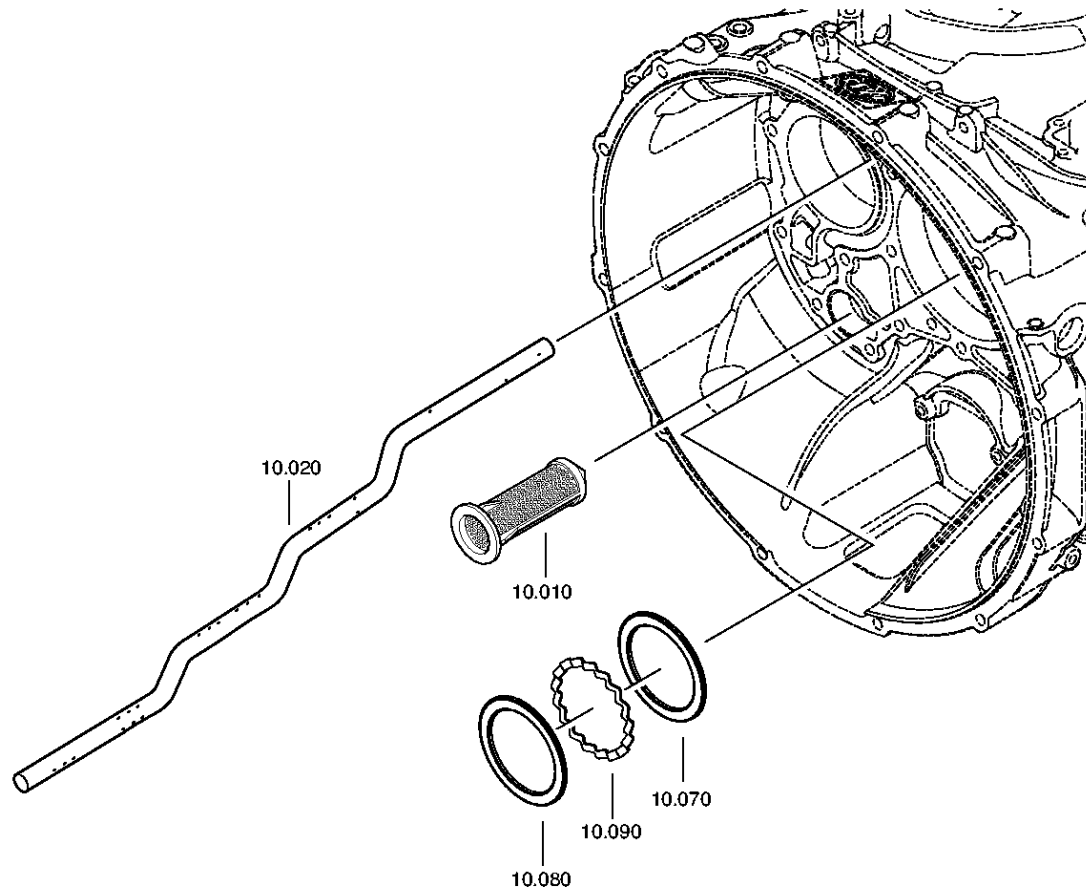
Page 1 from 2

Material number: 1356.007.165

Picture: 161.10.04-1

OIL SUPPLY

16 S 2531 TO /
OIL SUPPLY



Picture

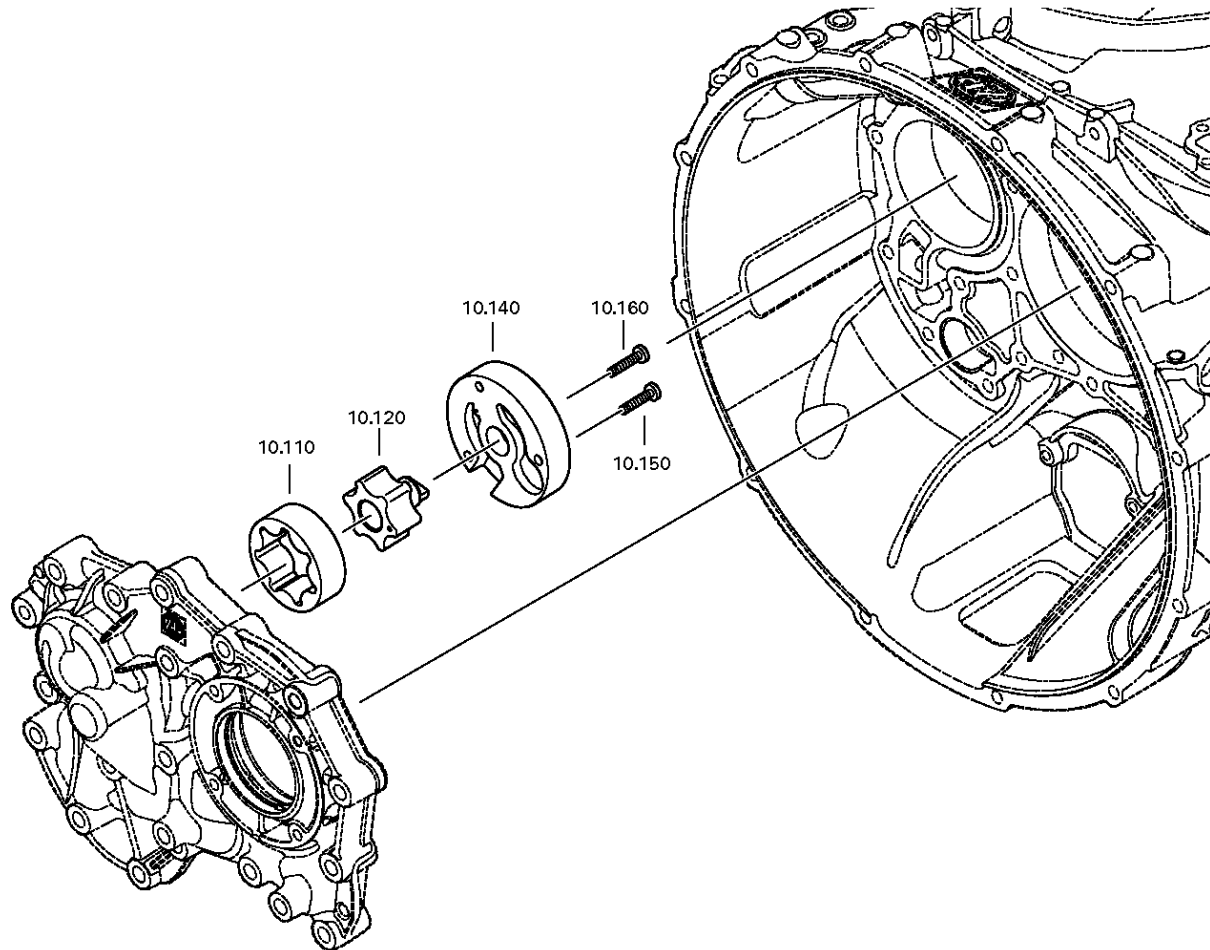
Page 2 from 2

Material number: 1356.007.165

Picture: 161.10.01-1

OIL SUPPLY

16 S 2531 TO /
OIL SUPPLY



Picture

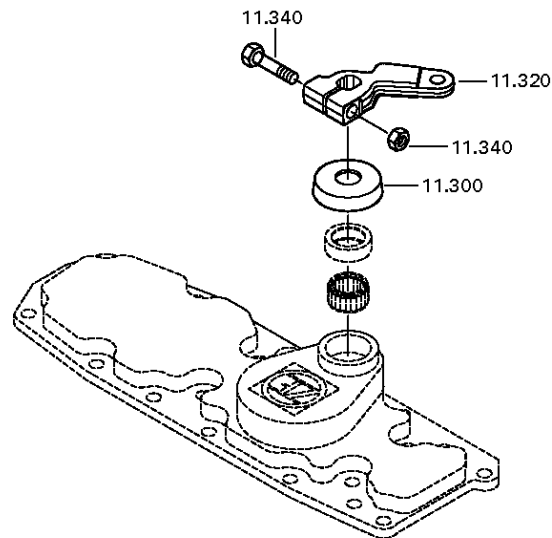
Page 1 from 2

Material number: 1356.007.165

Picture: 068.10.06-1

SELECTOR LEVER

16 S 2531 TO /
SELECTOR LEVER



Picture

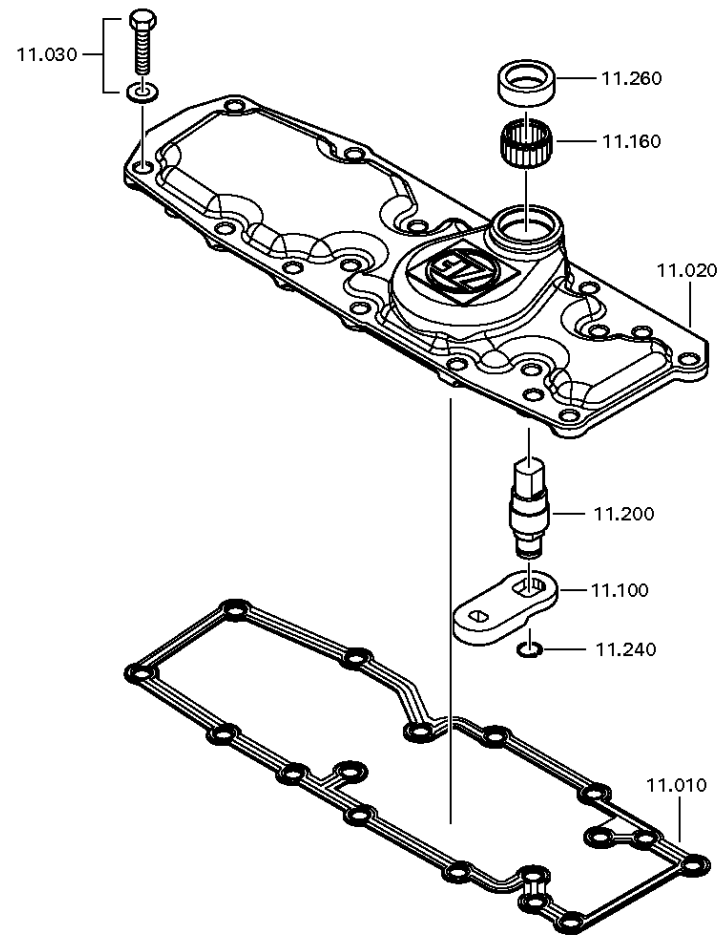
Page 2 from 2

Material number: 1356.007.165

Picture: 068.10.02-1

SELECTOR LEVER

16 S 2531 TO /
SELECTOR LEVER



Picture

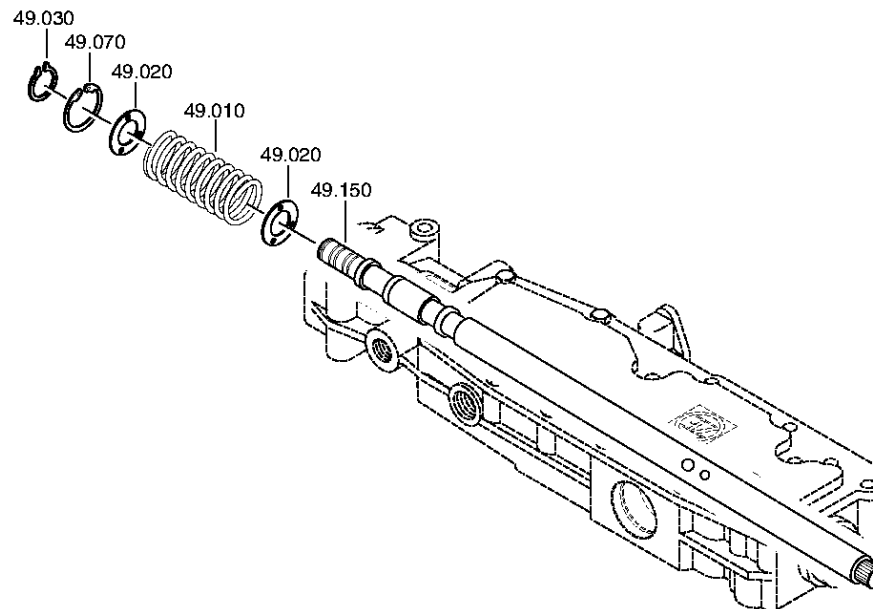
Page 1 from 1

Material number: 1356.007.165

Picture: 068.12.08-1

Material-assembly-group-no: 1316.149.478

16 S 2531 TO /
SET OF SPRINGS



Picture

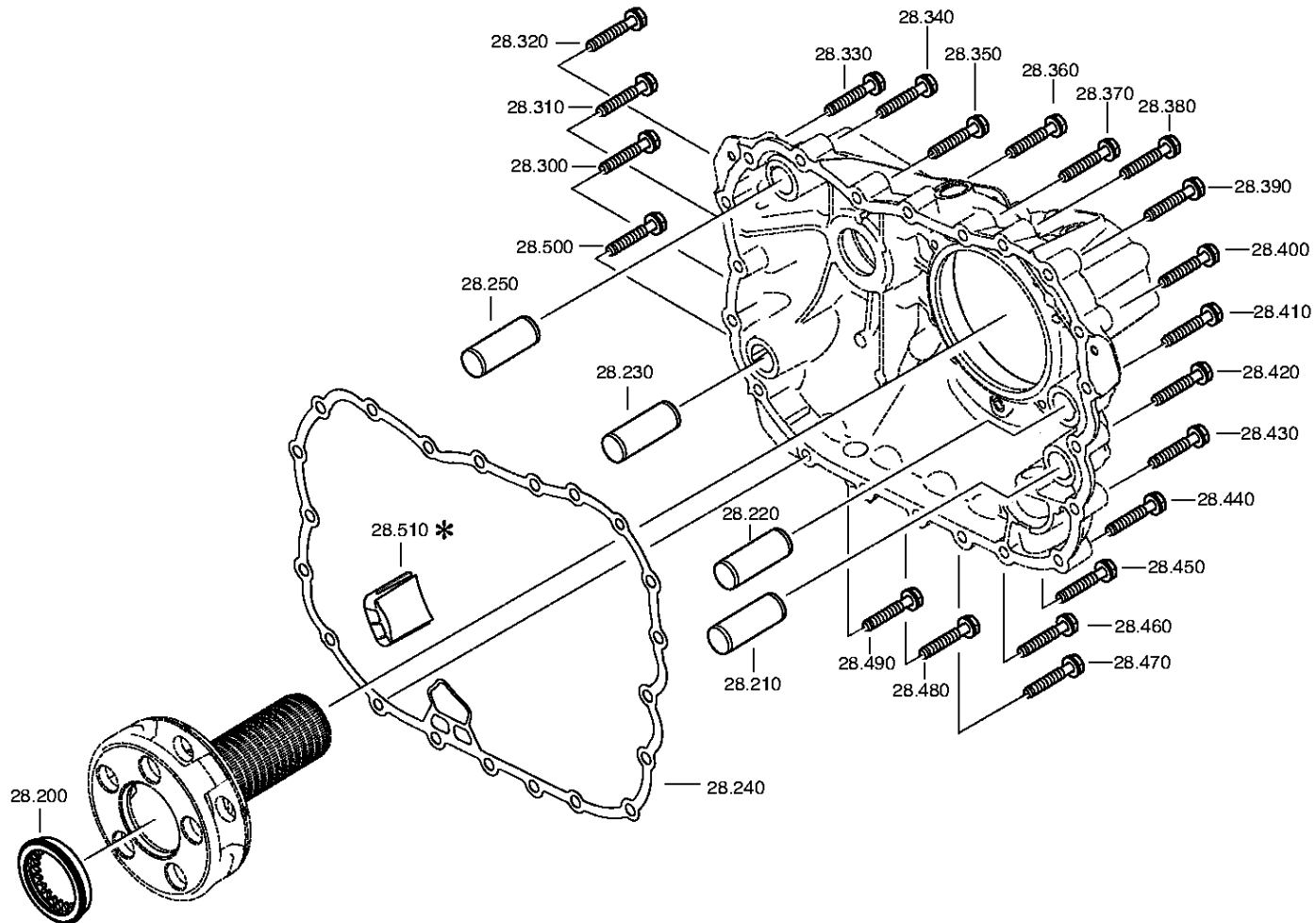
Page 1 from 1

Material number: 1356.007.165

Picture: 161.28.01-1

Material-assembly-group-no: 1325.128.807

16 S 2531 TO /
PLANETARY RANGE



Picture

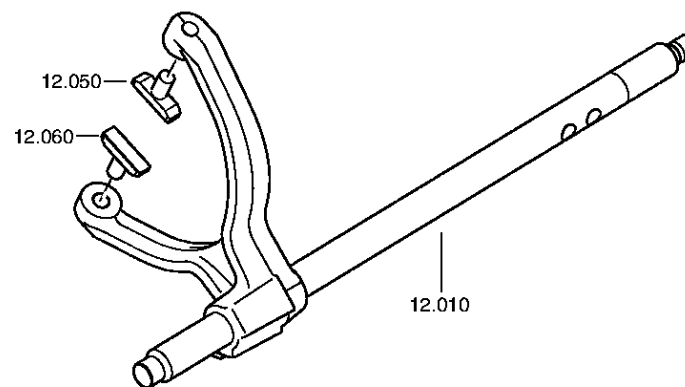
Page 1 from 2

Material number: 1356.007.165

Picture: 161.40.01-1

GV-SHIFT SYSTEM

16 S 2531 TO /
GV-SHIFT SYSTEM



Picture

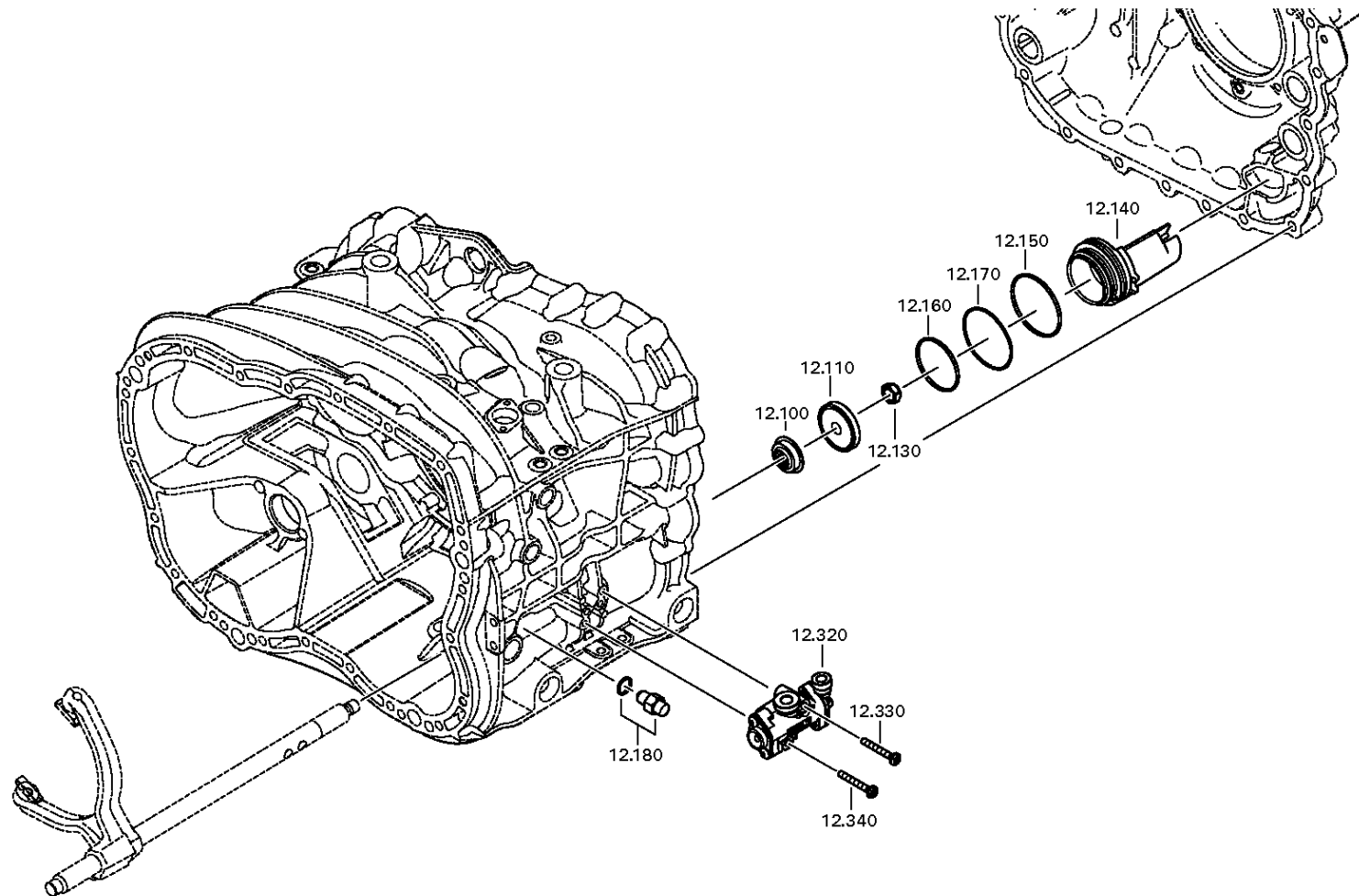
Page 2 from 2

Material number: 1356.007.165

Picture: 161.40.80-1

GV-SHIFT SYSTEM

16 S 2531 TO /
GV-SHIFT SYSTEM



Picture

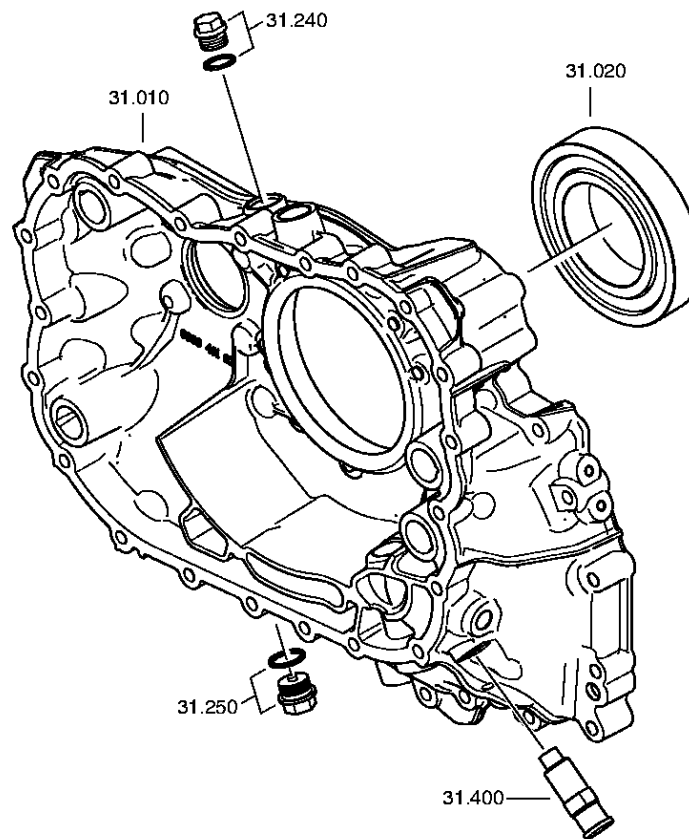
Page 1 from 2

Material number: 1356.007.165

Picture: 161.43.02-1

RC HOUSING

16 S 2531 TO /
RC HOUSING



Picture

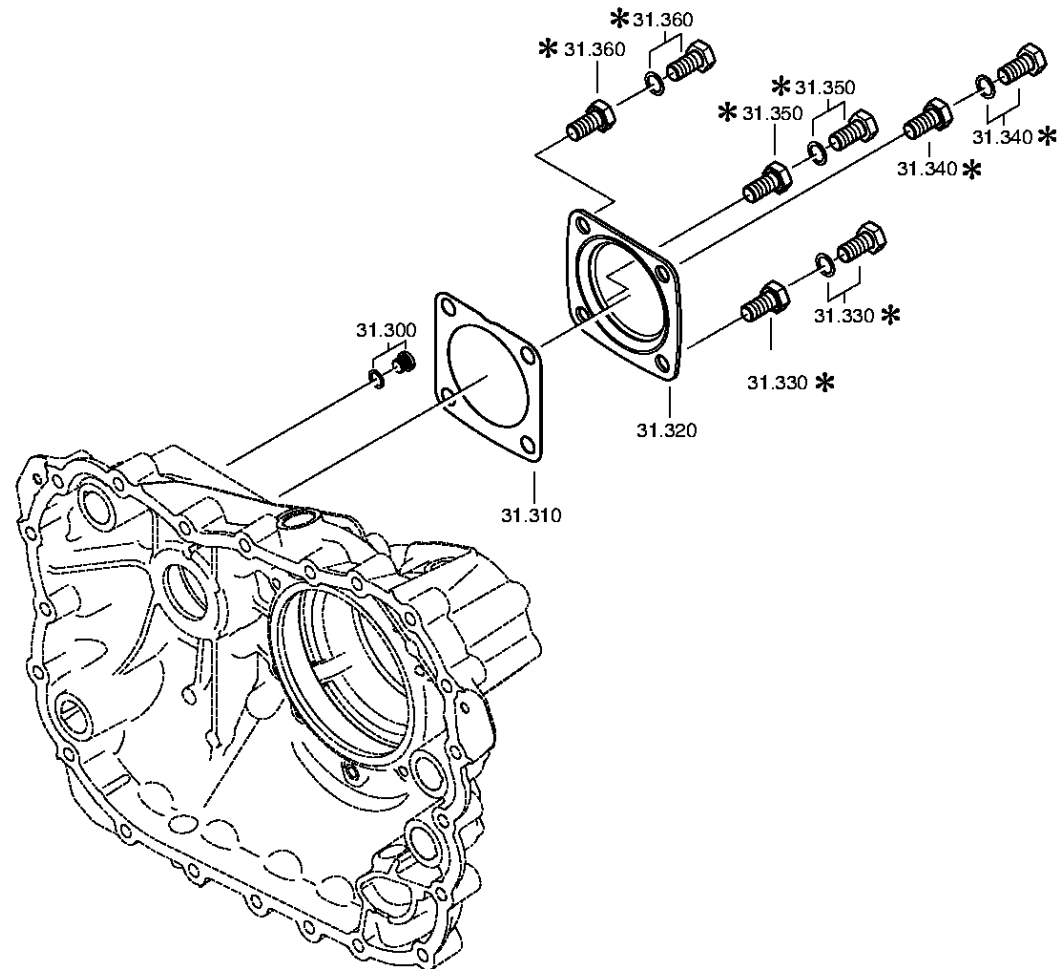
Page 2 from 2

Material number: 1356.007.165

Picture: 161.43.40-1

RC HOUSING

16 S 2531 TO /
RC HOUSING



Picture

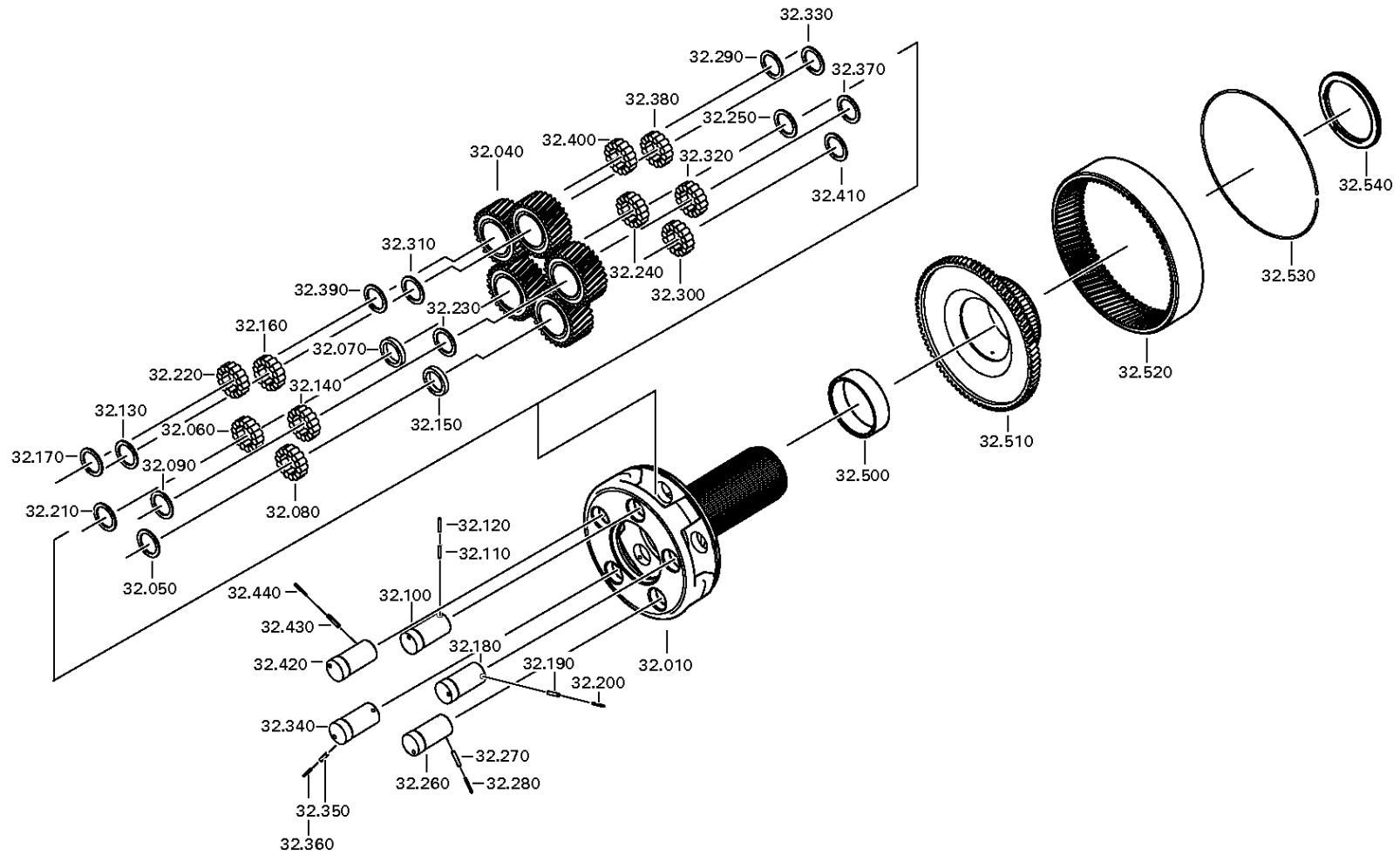
Page 1 from 2

Material number: 1356.007.165

Picture: 161.44.04-1

PLANETARY DRIVE

16 S 2531 TO /
PLANETARY DRIVE



Picture

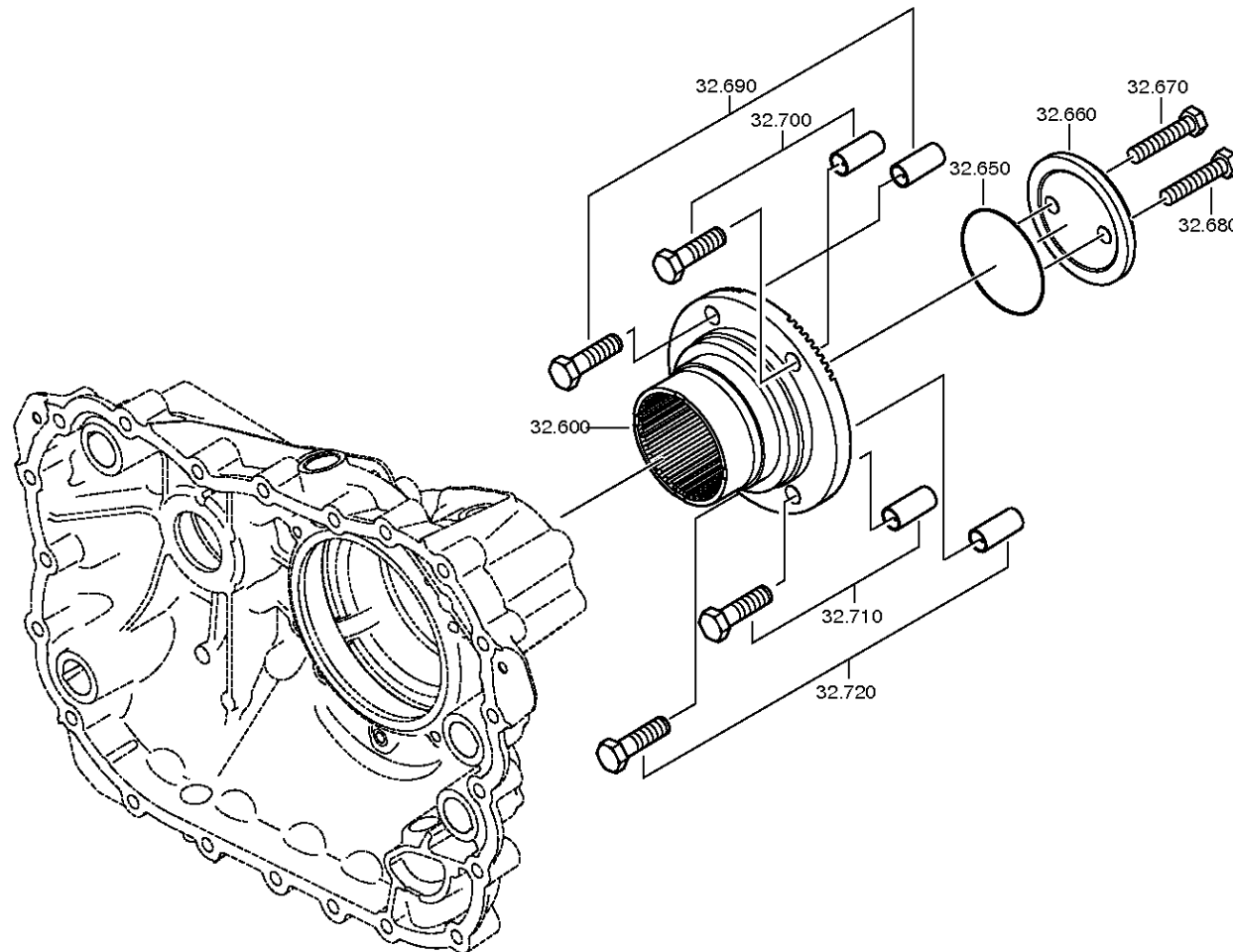
Page 2 from 2

Material number: 1356.007.165

Picture: 161.44.41-1

PLANETARY DRIVE

16 S 2531 TO /
PLANETARY DRIVE



Picture

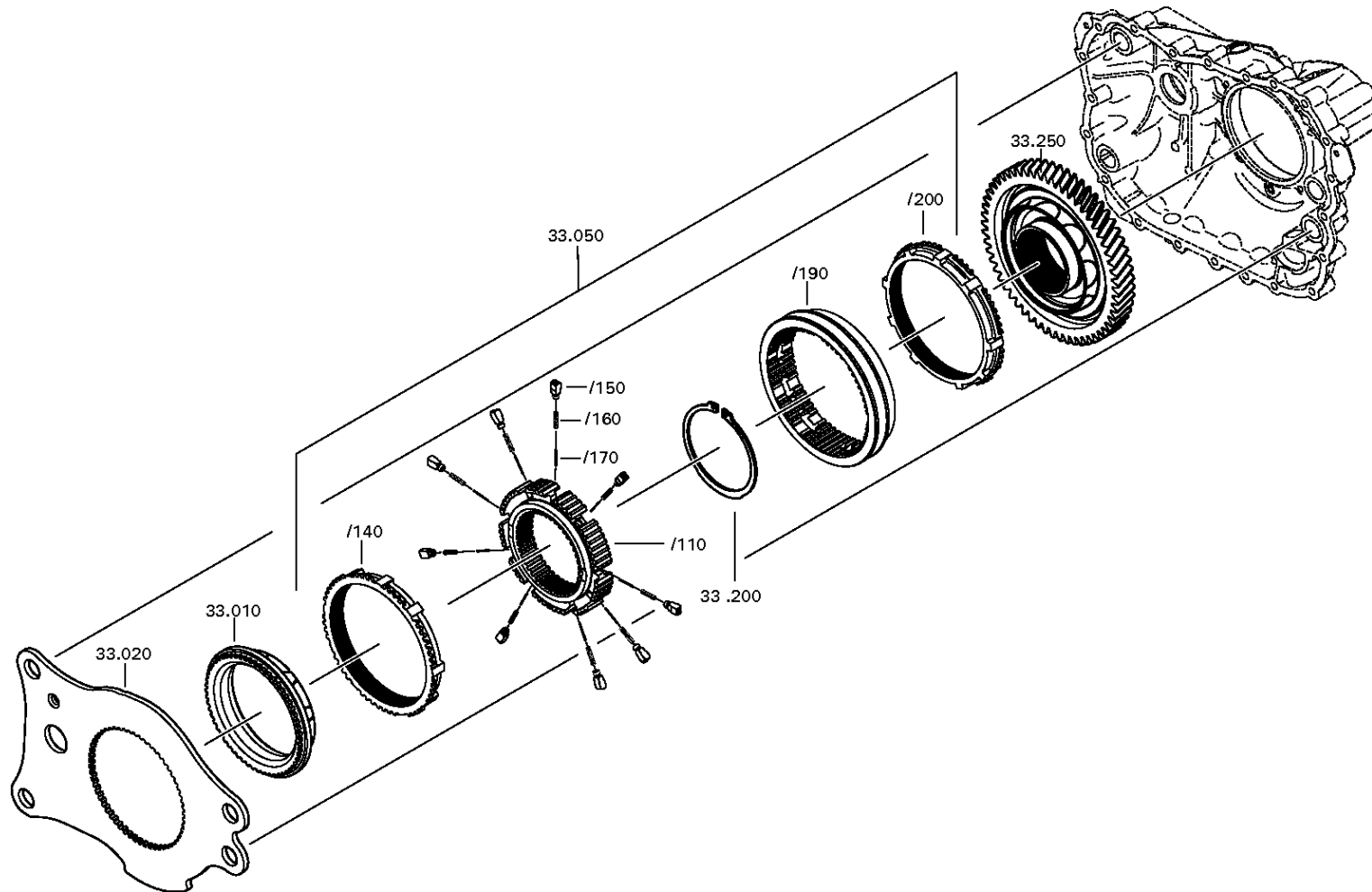
Page 1 from 1

Material number: 1356.007.165

Picture: 161.45.03-1

Material-assembly-group-no: 1325.133.007

16 S 2531 TO /
SYNCHRONIZER



Picture

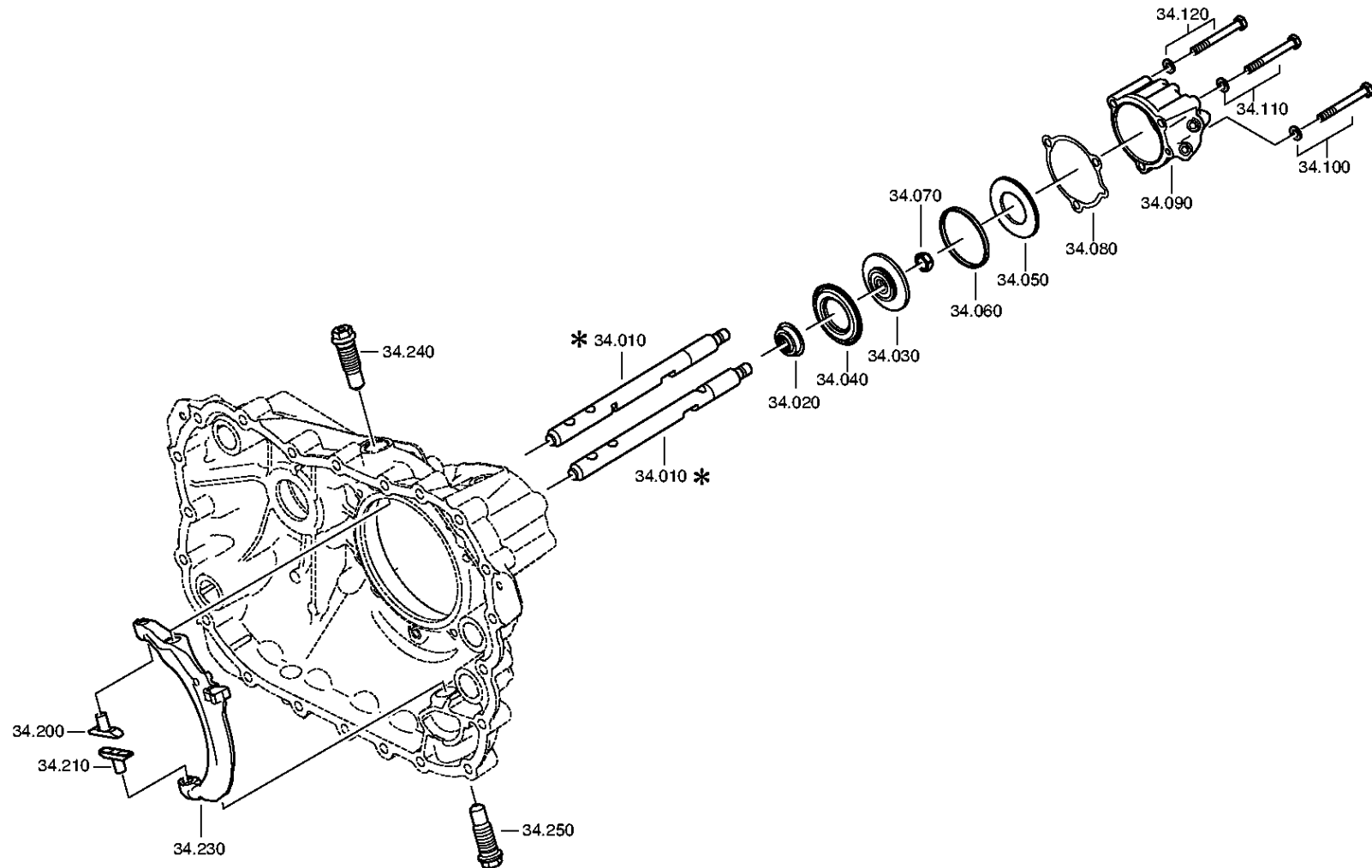
Page 1 from 2

Material number: 1356.007.165

Picture: 161.46.01-1

GP SHIFT SYSTEM

16 S 2531 TO /
GP SHIFT SYSTEM



Picture

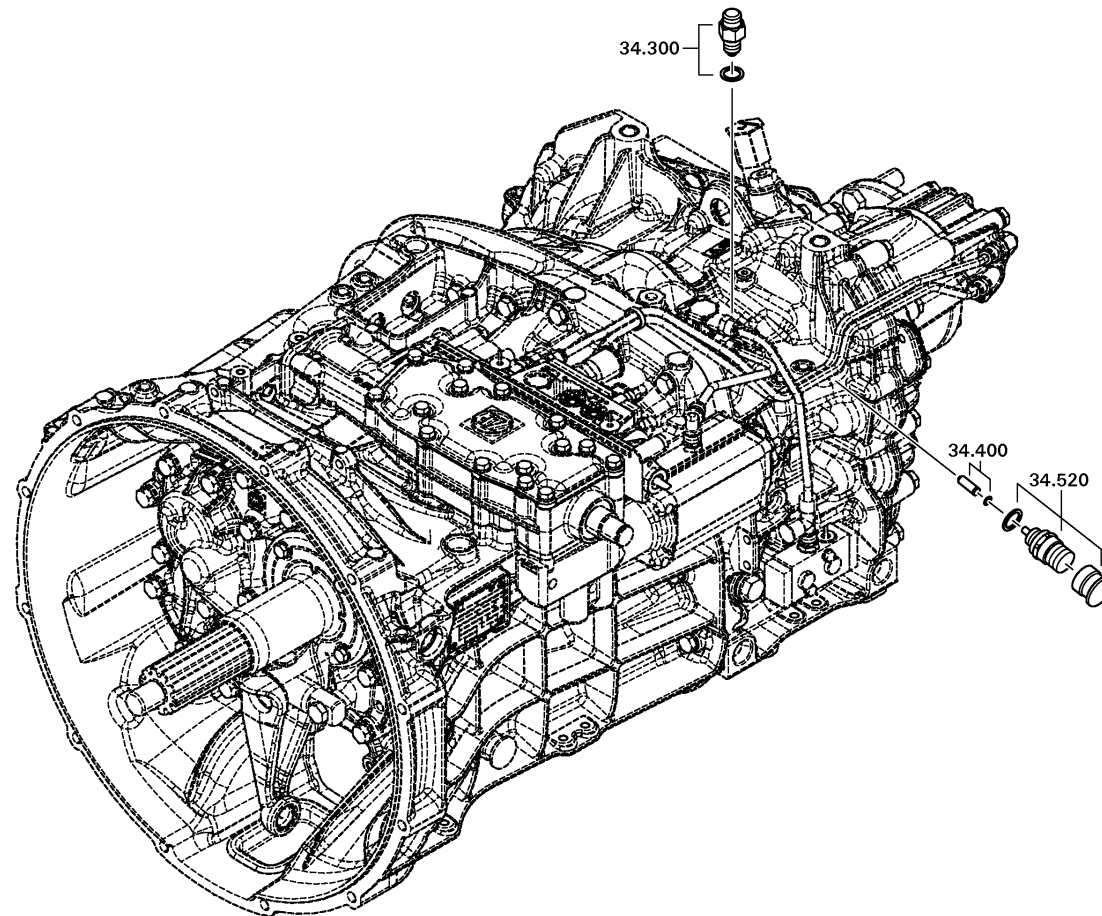
Page 2 from 2

Material number: 1356.007.165

Picture: 161.046.040-1

GP SHIFT SYSTEM

16 S 2531 TO /
GP SHIFT SYSTEM



Picture

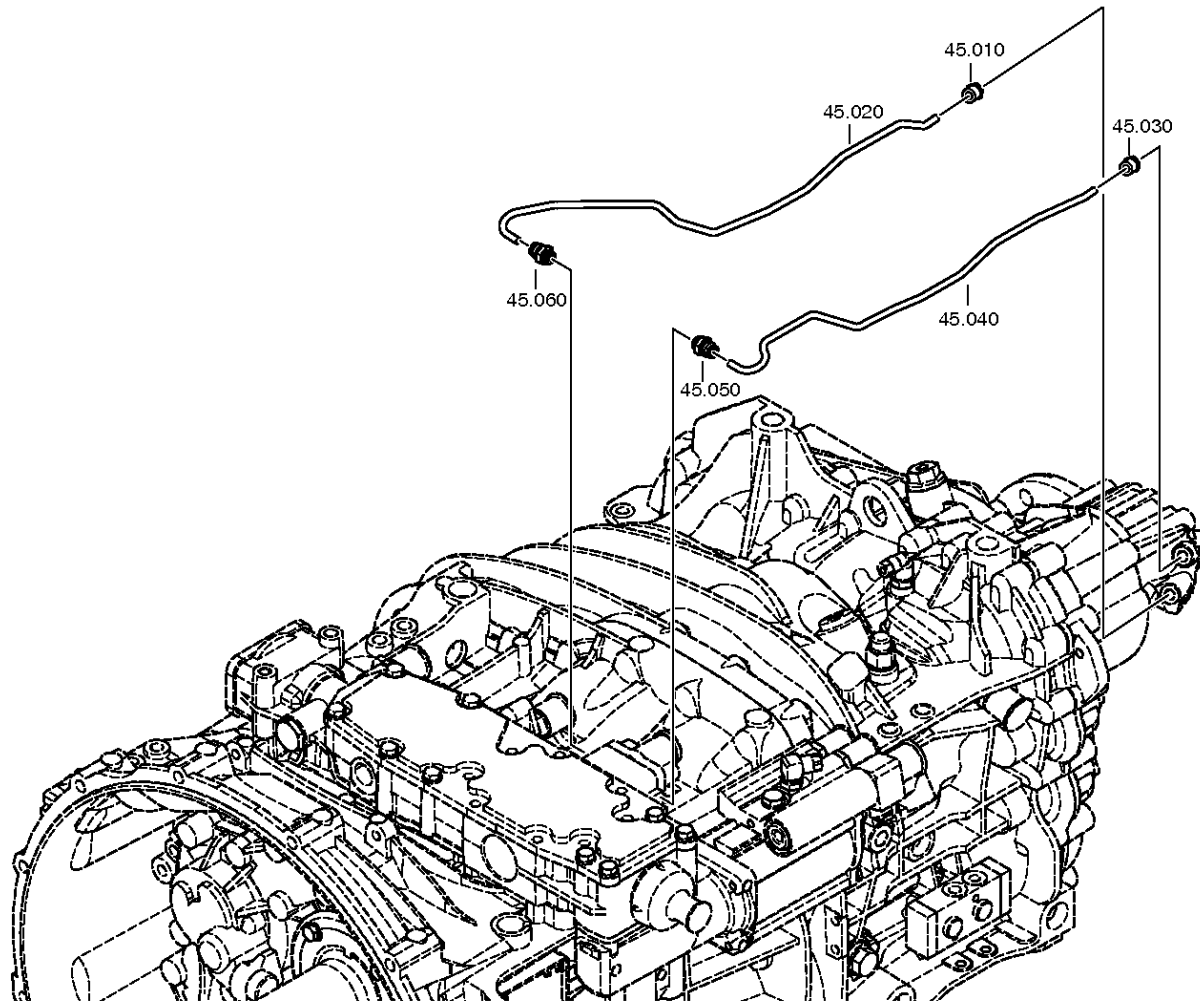
Page 1 from 1

Material number: 1356.007.165

Picture: 161.57.04-1

Material-assembly-group-no: 1325.145.007

16 S 2531 TO /
RANGE SELECTION



Picture

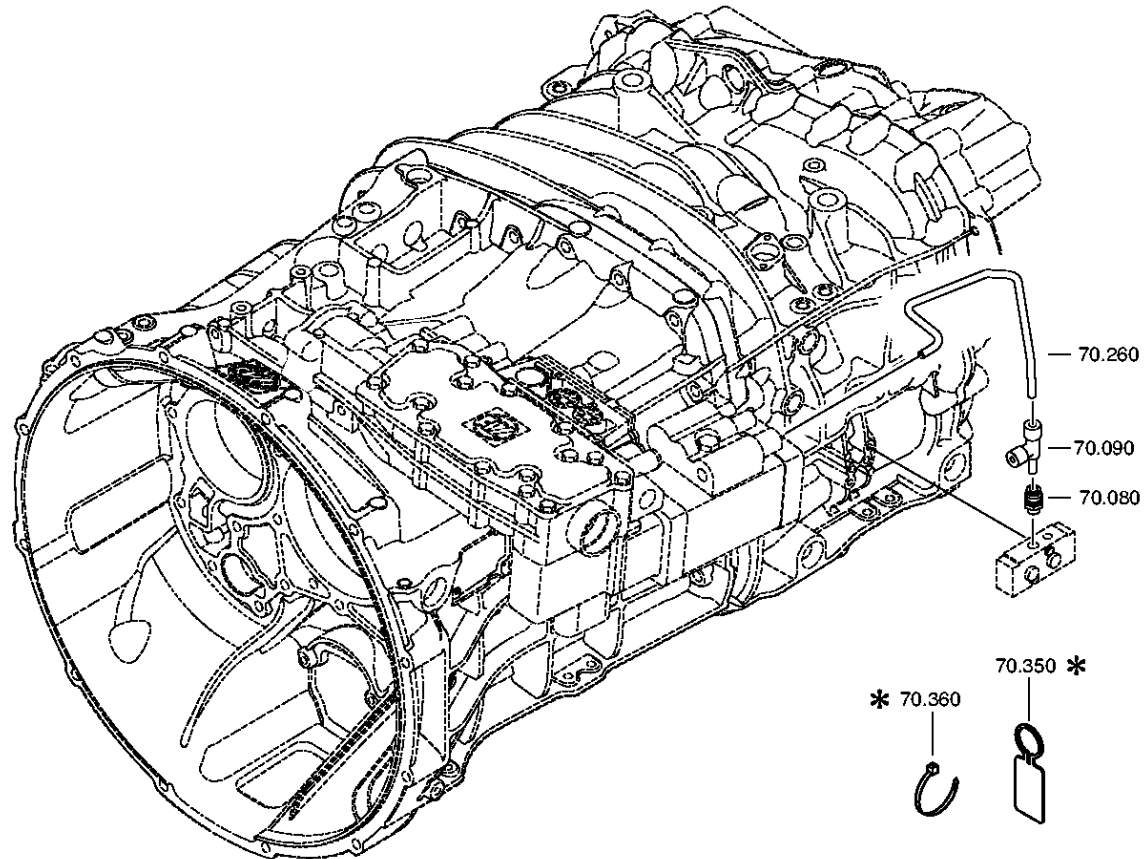
Page 1 from 1

Material number: 1356.007.165

Picture: 161.70.05-1

Material-assembly-group-no: 1356.170.003

16 S 2531 TO /
SHUT-OFF VALVE



Picture

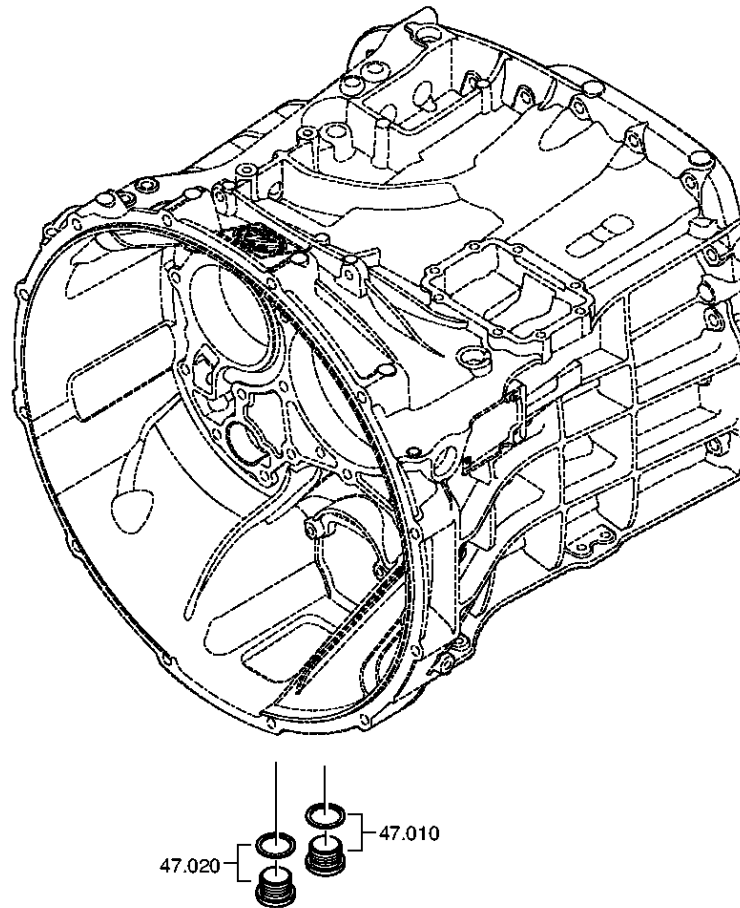
Page 1 from 1

Material number: 1356.007.165

Picture: 161.90.08

Material-assembly-group-no: 1325.147.009

16 S 2531 TO /
SCREW PLUG



Picture

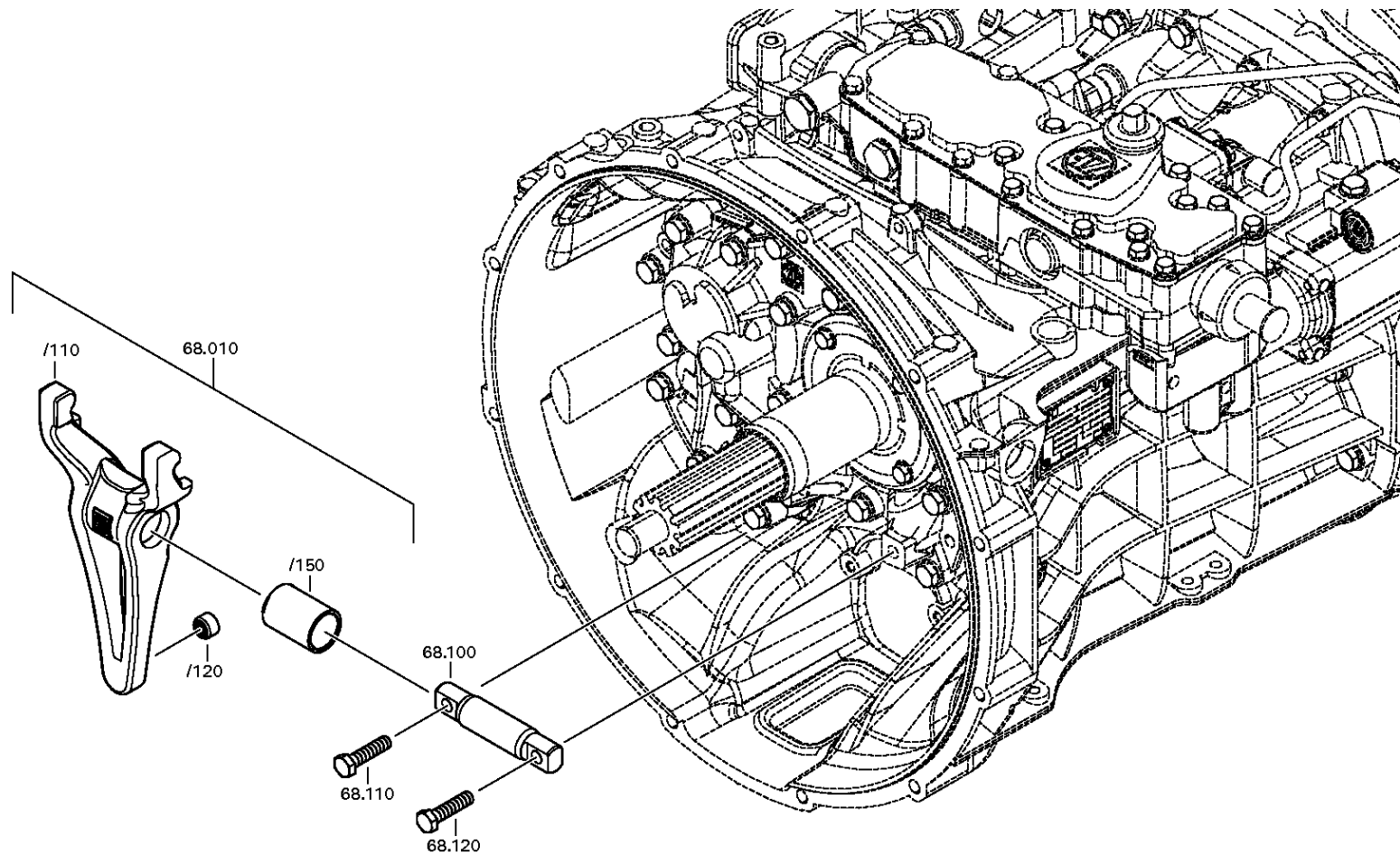
Page 1 from 2

Material number: 1356.007.165

Picture: 161.93.76-1

CLUTCH RELEASE DEVICE

16 S 2531 TO /
CLUTCH RELEASE DEVICE



Picture

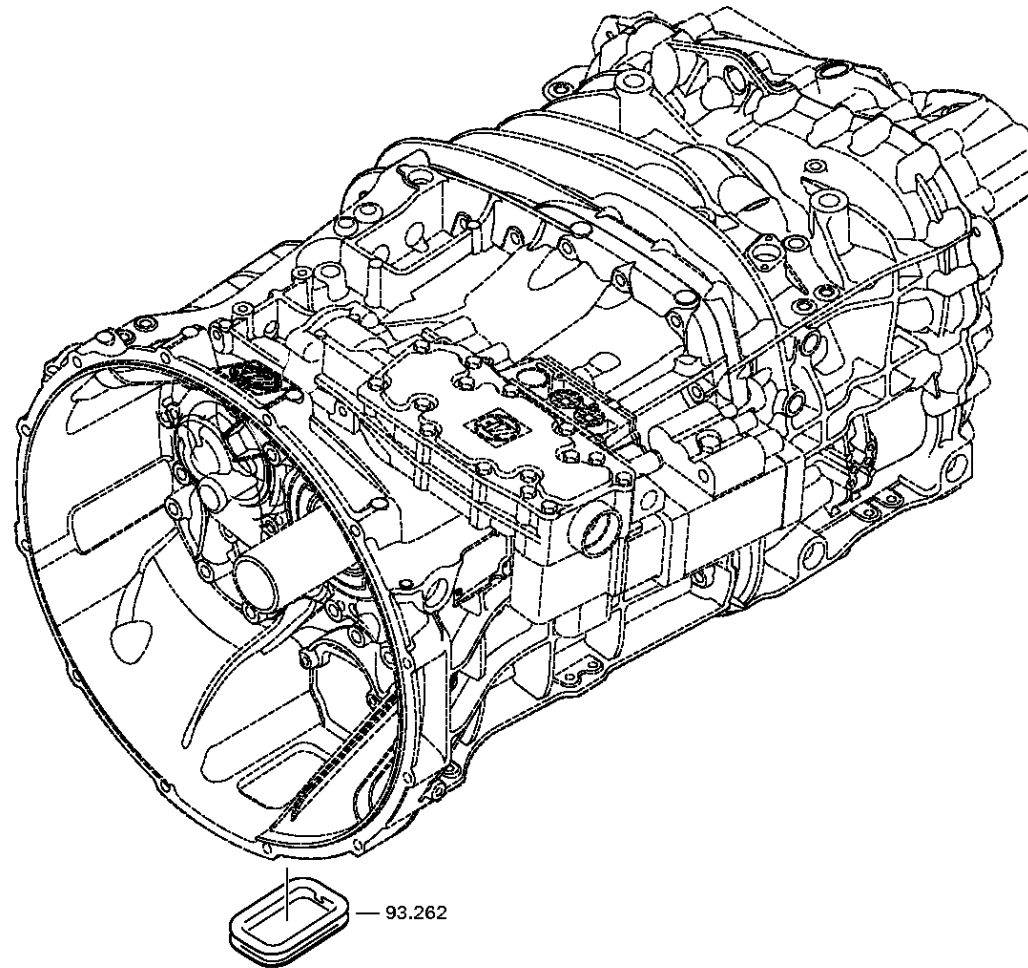
Page 2 from 2

Material number: 1356.007.165

Picture: 161.93.17-1

CLUTCH RELEASE DEVICE

16 S 2531 TO /
CLUTCH RELEASE DEVICE



Picture

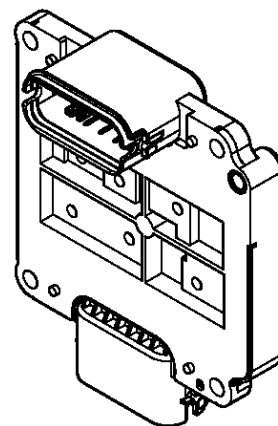
Page 1 from 1

Material number: 6093.050.100

Picture: 155.C2.03-1

Material-assembly-group-no: 6070.010.004

16 S 2531 TO /
EST 54 T



Picture

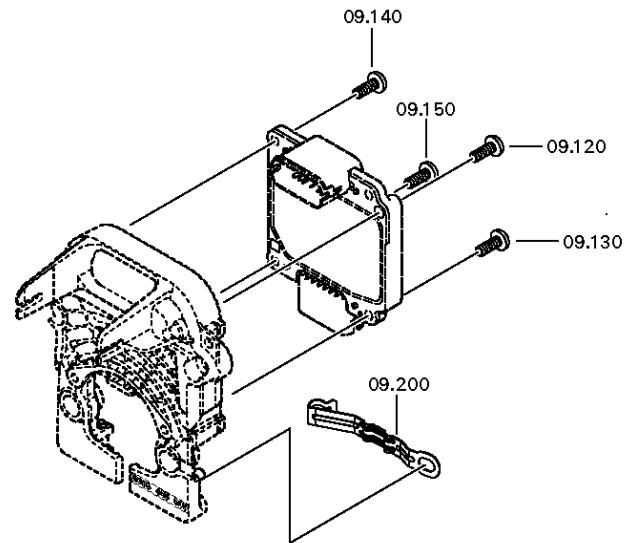
Page 1 from 1

Material number: 6093.050.100

Picture: 155.E2.01-1

Material-assembly-group-no: 6093.109.800

16 S 2531 TO /
ANCHORAGE



Picture

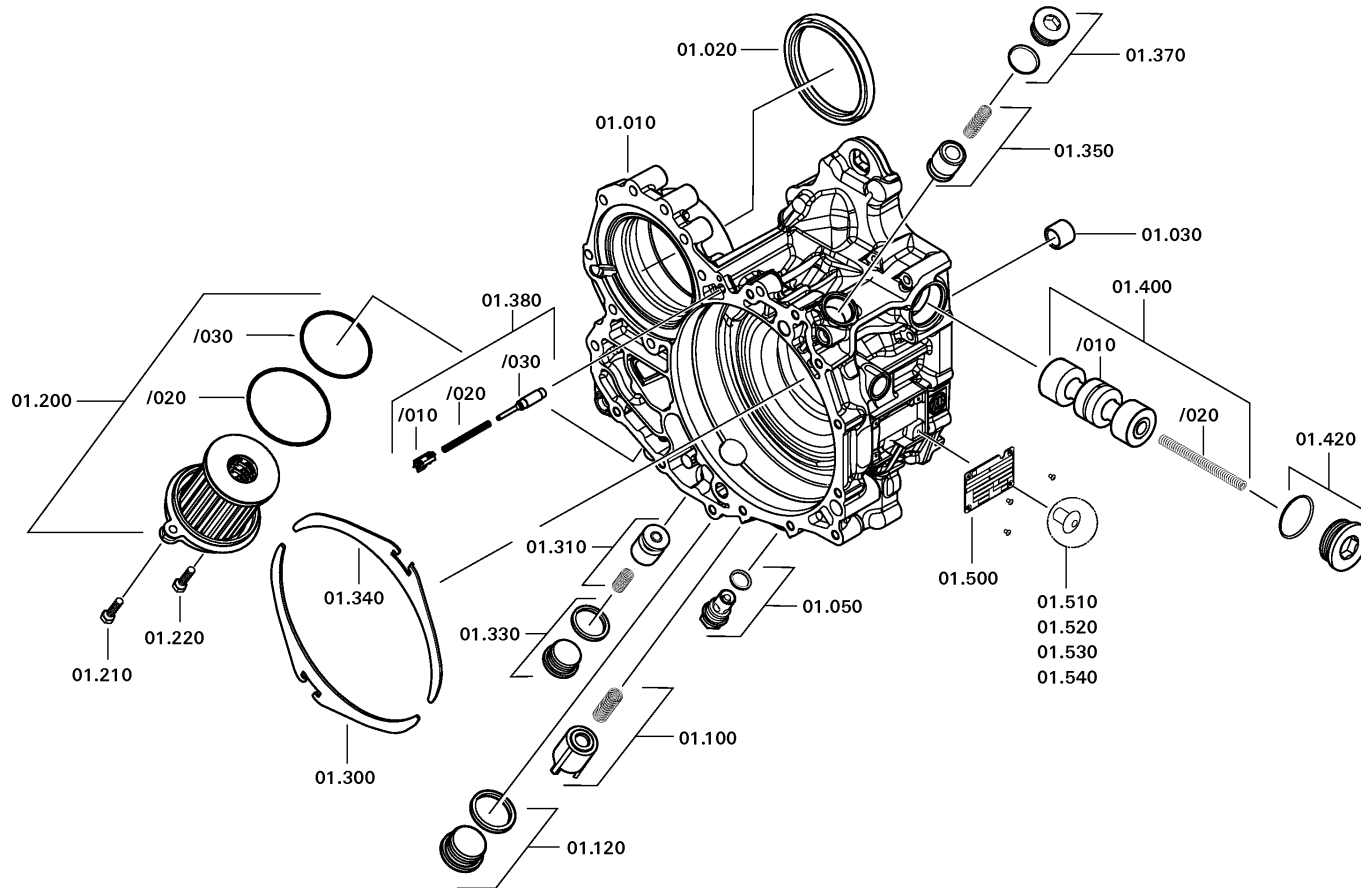
Page 1 from 1

Material number: 6093.001.031

Picture: 155.001.012-1

Material-assembly-group-no: 6093.101.012

16 S 2531 TO /
HOUSING



Picture

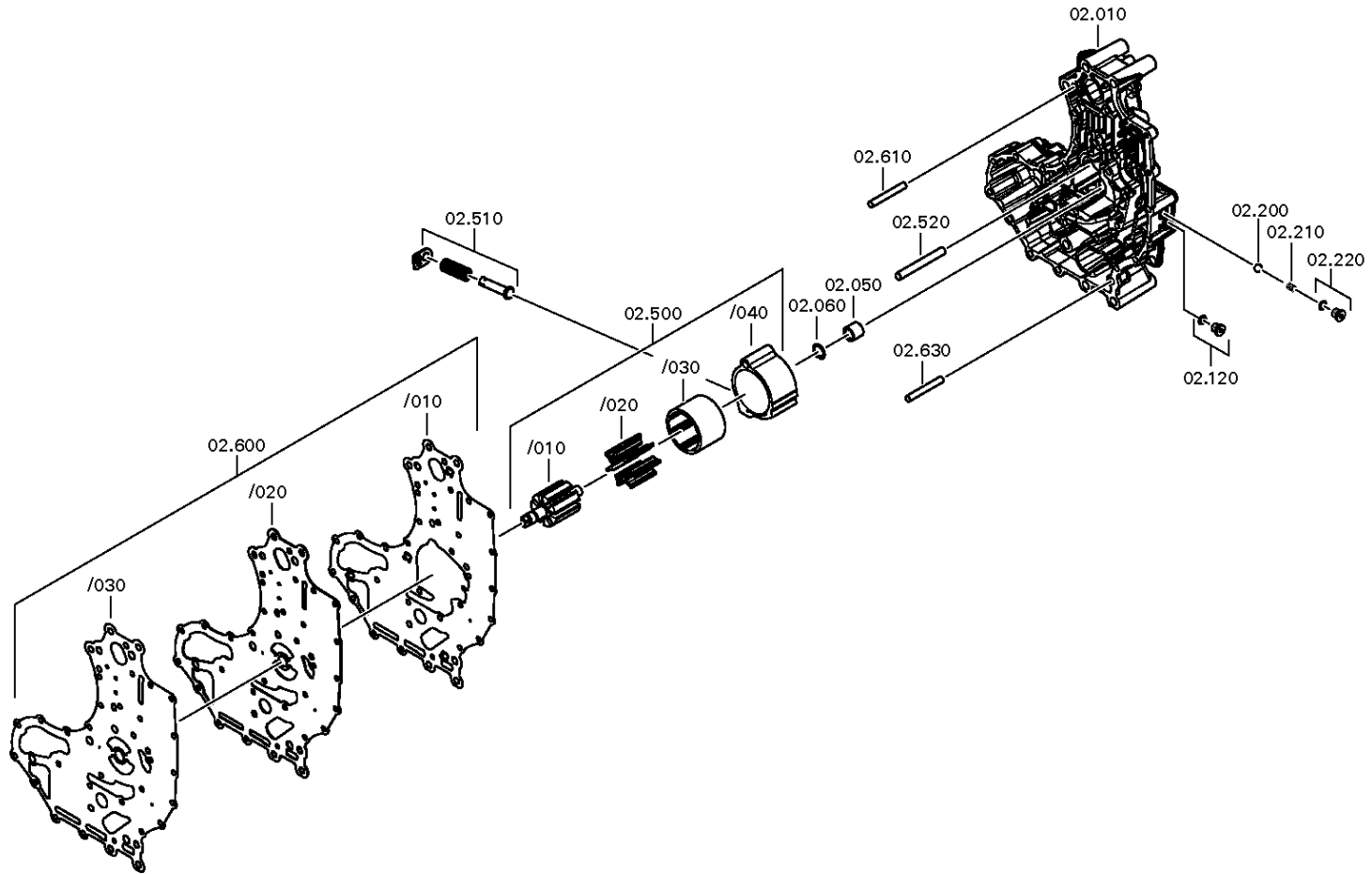
Page 1 from 3

Material number: 6093.001.031

Picture: 155.02.02-1

CONTROL UNIT

16 S 2531 TO /
CONTROL UNIT



Picture

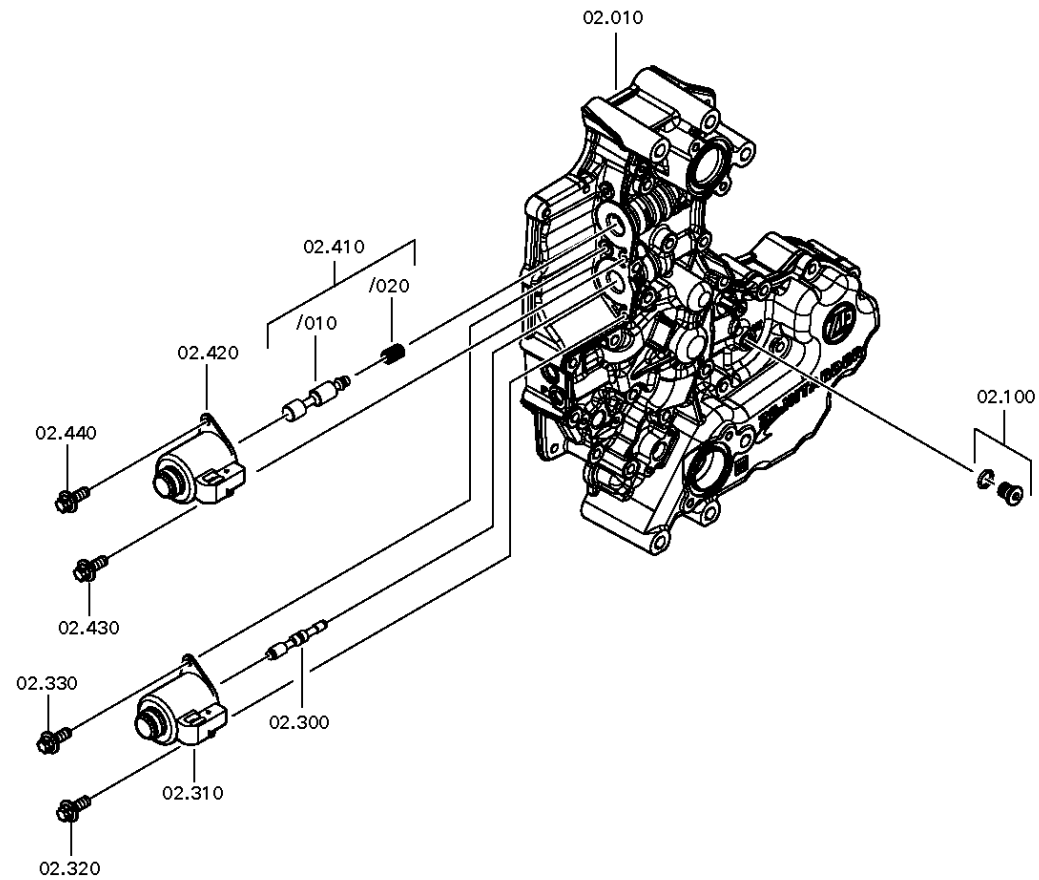
Page 2 from 3

Material number: 6093.001.031

Picture: 155.02.02-2

CONTROL UNIT

16 S 2531 TO /
CONTROL UNIT



Picture

Page 3 from 3

Material number: 6093.001.031

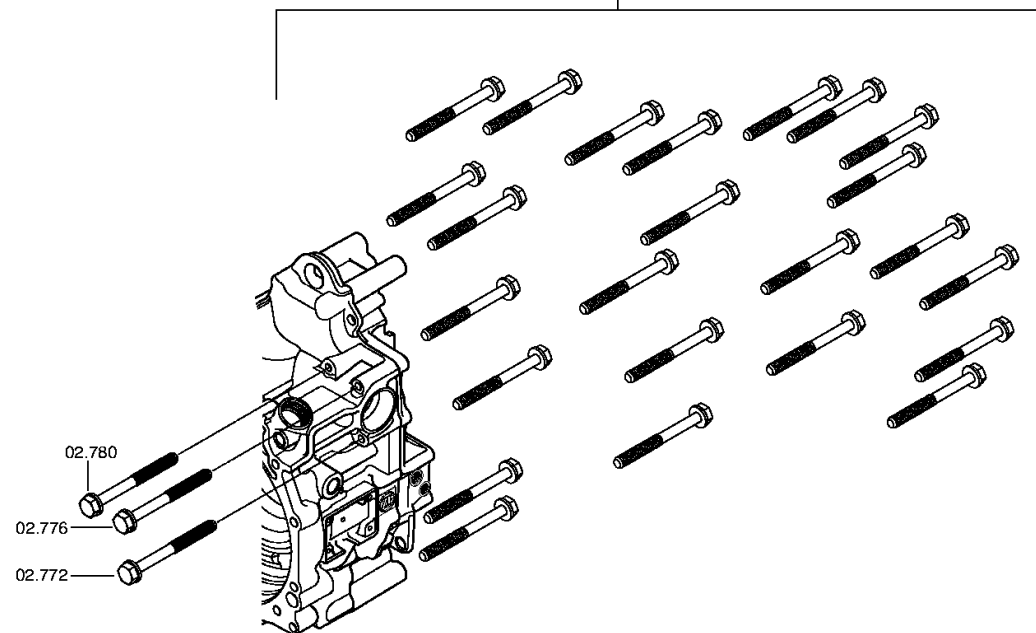
Picture: 155.02.80-1

CONTROL UNIT

16 S 2531 TO /
CONTROL UNIT

Bildtafel:
Figure: 155.02.80
Figure:
Figura:

02.700	02.716	02.732	02.748	02.764	02.792
02.704	02.720	02.736	02.752	02.768	02.796
02.708	02.724	02.740	02.756	02.784	02.800
02.712	02.728	02.744	02.760	02.788	02.804



Picture

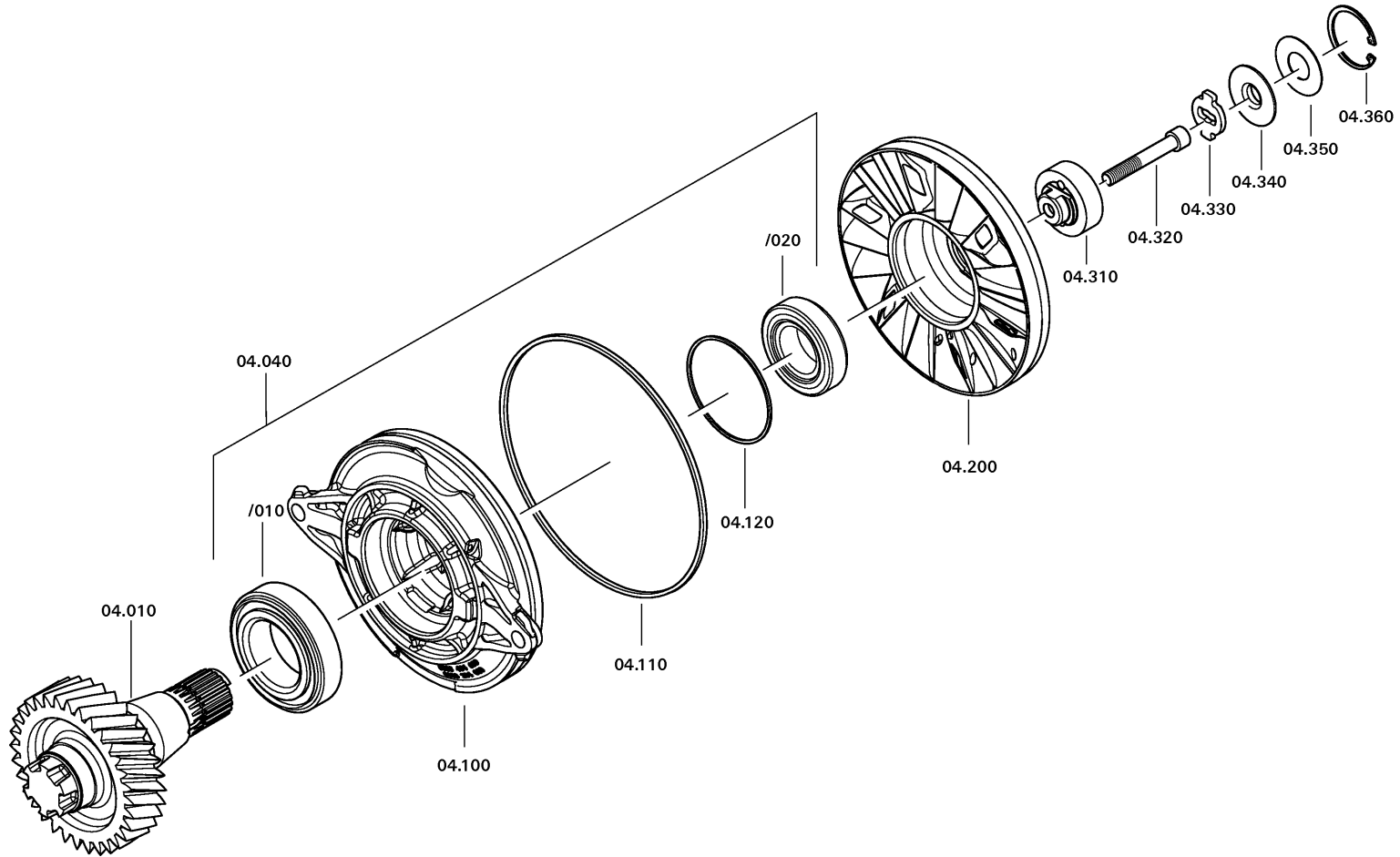
Page 1 from 2

Material number: 6093.001.031

Picture: 155.04.02-1

RETARDER

16 S 2531 TO /
RETARDER



Picture

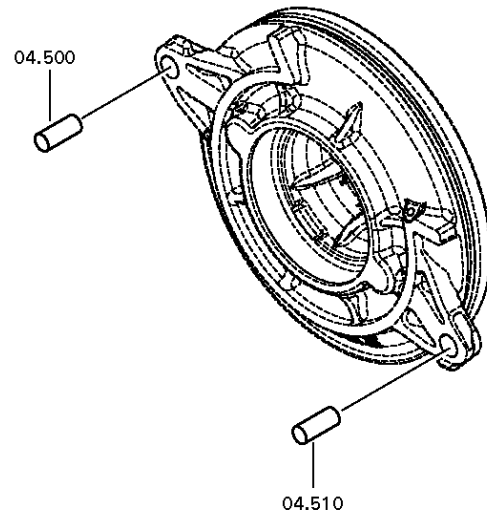
Page 2 from 2

Material number: 6093.001.031

Picture: 155.04.80-1

RETARDER

16 S 2531 TO /
RETARDER



Picture

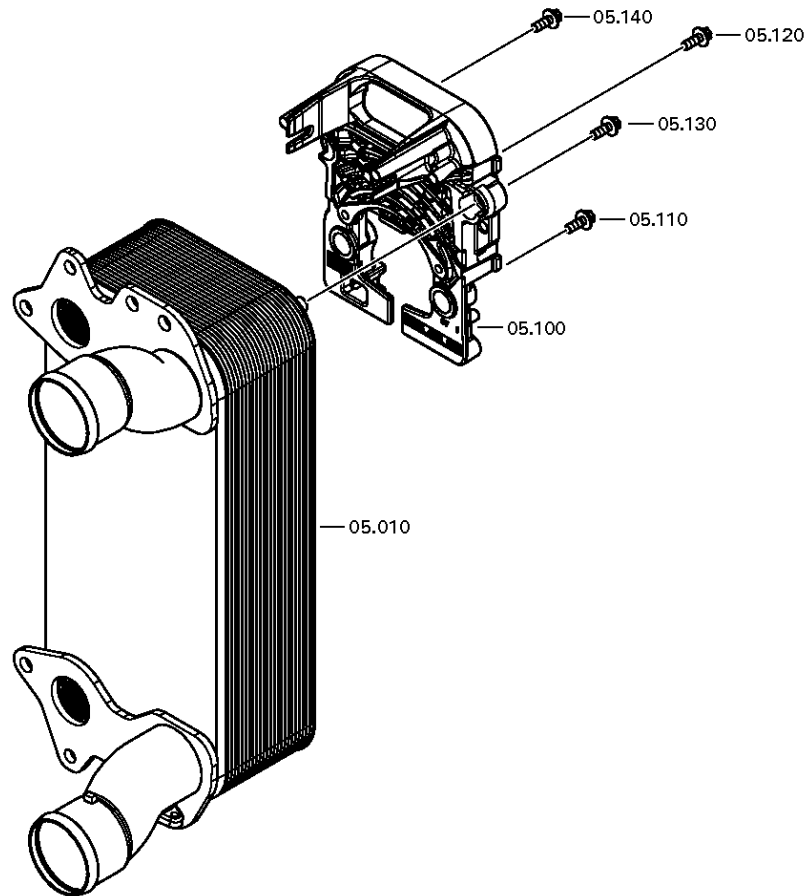
Page 1 from 2

Material number: 6093.001.031

Picture: 155.05.02-1

HEAT EXCHANGER

16 S 2531 TO /
HEAT EXCHANGER



Picture

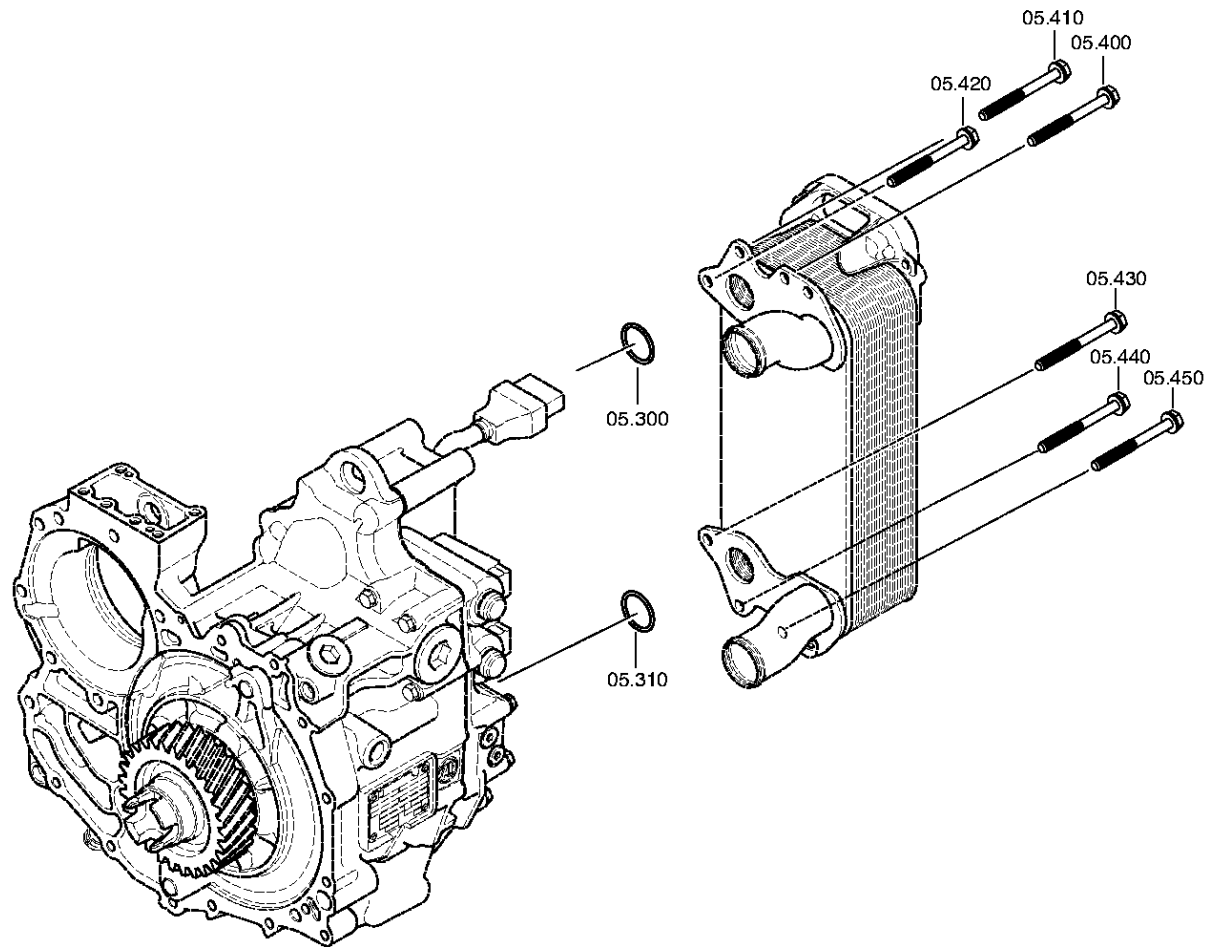
Page 2 from 2

Material number: 6093.001.031

Picture: 155.05.81-1

HEAT EXCHANGER

16 S 2531 TO /
HEAT EXCHANGER



Picture

Page 1 from 1

Material number: 6093.001.031

Picture: 155.007.007-1

Material-assembly-group-no: 6093.107.010

16 S 2531 TO /
WIRING

