



# Spare Parts Catalog

12 TX 2620 TD

Material number: 1358.001.067

Current date: 12.12.2020

ZF Friedrichshafen AG  
Hauptverwaltung  
80038 Friedrichshafen  
Deutschland

Telefon: +49 7541 77-0

Telefax: +49 7541 77-908000

[www.zf.com](http://www.zf.com)

zuständiges Werk:  
Friedrichshafen

# Notes relating to the spare parts catalog

## Setup of the spare parts catalog

- Cover sheet
- Technical Cover (only in SDM print)
- Overview of figures
- Figure
- Associated parts list
- Next figure
- Associated parts list
- ...

## Figure and parts list



## Overview of figures

Bildtafel Figure	Sachnummer Product number	Benennung (Description)	Technische Info Technical info	Description (Benennung)	Menge Quantity	Einheit Unit
068.08.17	1316.170.001	AUSLEGER	WL	SHIFT TURRET	1	Stk
068.08.06	1316.170.031	DECKEL	WL*H-H *VM	COVER	1	Stk
068.08.14	1316.170.808	DECKEL	WL*AUSL+GEH*H-H*HF160N	COVER	1	Stk
08	1316.170.441	ANSCHLUSSTEILE	WL*NG-VORB*RG-SCHL*168N *BAJONETT	CONNECTING PARTS	1	Stk

The "gap" indicates that there is no separate graphics panel (poster) for this assembly  
 The parts of this assembly are shown with the same mid-section number on the figure

### 1 Positions and subpositions

Pos.	Sachnummer Product number	Benennung (Description)	Technische Info Technical info	Description (Benennung)	Menge Quantity	Einheit Unit
0370	1315.201.054	RUECKLAUFBOLZEN	KPL.16S151*SG*L= 79	REV.IDLER SHAFT	1	Stk
/0120	0631.329.293	SPANNSTIFT		SLOT. PIN	1	Stk

Positions marked with "/" are the individual items of a completion  
 For example: Position 0370 contains a centering pin with the position /0120

### 2 Combinations with standardized parts

Pos.	Sachnummer Product number	Benennung (Description)	Technische Info Technical info	Description (Benennung)	Menge Quantity	Einheit Unit
0630		VERSCHL.SCHR.		SCREW PLUG	1	Stk
	0636.302.067	VERSCHL.SCHR.		SCREW PLUG	1	Stk
	0634.801.249	DICHTRING	A 26 X 31	SEALING RING	1	Stk

The parts list shows the components included in the combination of standardized parts

### 3 Depiction of position/item number on the figure and in the parts list

01.620 - on the figure      01 relates to the assembly in which the position is included. Due to program-related reasons, it is shown on the figure.

0620 - in the parts list

Pos.	Sachnummer Product number	Benennung (Description)	Technische Info Technical info	Description (Benennung)	Menge Quantity	Einheit Unit
0620	0732.040.736	DRUCKFEDER		COMPRESSION SPRING	1	Stk

### 4 \*-Positions

Positions marked with an \* are optional i.e. inclusion in the parts list is not mandatory.  
 The following note is shown on the figure

je nach Stücklistenausführung  
 depending on spec. number  
 \*  
 suivant la nomenclature  
 secondo la distinta base

### 5 Parts, dotted display

Parts with dotted display on the figure are only used for orientation of other parts

# Technical Cover

Page 1 from 3



Material number: 1358.001.067

12 TX 2620 TD /

Pos.	Information	Amendment number
001	Use case -----	
002	Customer DAF TRUCKS N.V.	
003	City EINDHOVEN	
004	DUNS 41-579-9402	
005	Classification use case -----	
006	APPROVAL NOTE 1 ERSTEINBAU*UEBERPRUEFUNG ERFORDERLICH	
008	Product description -----	
009	PRODUCT FAMILY TRAXON	
010	CO2-FAMILY 001.00	
011	CO2-CERTIFICATE 00G 0076	
012	E1 CERTIFICATE	
013	COMPANY NAME ON TYPE PLATE ZF-CUSTOMER	
014	TRANSMISSION ATTACHMENT FLANGE-MOUNTED	
015	LENGTH OF GEARBOX 910 mm	
016	DESIGN, SEPARATING CLUTCH AUTOMATED DOG CLUTCH SHIFT	
017	COLOR WITHOUT GROOVE	
018	PAINTING, ZF STANDARD WITHOUT	
019	CHECK INFO HG GESCHALTET NACH FUNKTIONSL.	
020	CLEANNES SPECIFICATION ZFN 5015	
021	DESIGN GEARING AT AN ANGLE	
022	TRANSMISSION VARIANT WITHOUT INTARDER	
023	ATTACHED AGRREGATES 1 WITHOUT GROOVE	
024	CODING OUTER CONSERVATION KA1+2	
025	OIL CAPACITY, GEARBOX 13.5 dm3	
026	OIL GRADE PERMISSIBLE ACC. TO TE-ML02	
027	ATTACHM.VAR,EMERG.STRG PUMP WITHOUT GROOVE	
028	DESIGN EMERGENCY STEERING PUMP WITHOUT	
029	POSITION STEERING PUMP WITHOUT	
030	ATTACHMENT VARIANT PTO WITHOUT	
031	DESIGN PTO WITHOUT	
032	POSITION PTO WITHOUT	
033	TYPE OF SHIFT CONTROL PTO WITHOUT	
034	POSITION SWITCH PTO WITHOUT	



Material number: 1358.001.067

12 TX 2620 TD /

Pos.	Information	Amendment number
035	NUMBER OF OUTPUT LOCATION PTO 0	
036	VALVE BLOCK, HEAT EXCHANGER WITHOUT	
037	HEAT EXCHANGER GEARBOX WITHOUT	
038	HEAT EXCHANGER INTARDER WITHOUT	
039	ATTACHM.POS.HEAT EXCHANGER WITHOUT GROOVE	
040	OIL FILL VARIANT EX WORKS	
041	NUMBER OF GEARS 12	
042	RATIO, BOTTOM GEAR 16.688	
043	RATIO, TOP GEAR 1	
044	RATIO, 1ST GEAR 16.688	
045	RATIO, 2ND GEAR 12.924	
046	RATIO, 3RD GEAR 9.926	
047	RATIO, 4TH GEAR 7.688	
048	RATIO, 5TH GEAR 5.895	
049	RATIO, 6TH GEAR 4.565	
050	RATIO, 7TH GEAR 3.655	
051	RATIO, 8TH GEAR 2.831	
052	RATIO, 9TH GEAR 2.174	
053	RATIO, 10TH GEAR 1.684	
054	RATIO, 11TH GEAR 1.291	
055	RATIO, 12TH GEAR 1	
056	RATIO REVERSE GEAR SLOWLY	
057	RATIO, 1ST GEAR REVERSE 16.918	
058	RATIO, 2ND GEAR REVERSE 13.102	
059	SET OF RATIOS DD	
060	SETUP GEARBOX TYP 12.2	
061	VARIANTE SYSTEM MATRIX 12TXTD	
062	DESIGN,CONN., CLUTCH HOUSING SAE 1	
063	CENTR.DIA,HSG/ENGINE CONNECT. 511.175 mm	
064	NUMBER OF BORES,ENGINE CONN. 14	
065	BORE DIA, ENGINE CONNECTION 11 mm	
066	MEASURE BELL HOUSING SCREWING 50 mm	
067	LENGTH, HOUSING1+BEARING BRACKET 605.25 mm	

# Technical Cover

Page 3 from 3



Material number: 1358.001.067

12 TX 2620 TD /

Pos.	Information	Amendment number
068	MEASURE BELL HOUSING TO OIL-CHARGE 460 mm	
069	MEASURE BELL HOUSING TO OIL DRAIN 745.9 mm	
070	DIM. HOUSING TO AX.WASH OP.FL 292.2 mm	
071	DESIGN, OUTPUT FLANGE CROSS-SERRATED	
072	REFERENCE LENGTH,OUTPUT FLANGE 109.5 mm	
073	OUTSIDE DIA., OUTPUT FLANGE 180 mm	
074	SURFACE TREATED OUTPUT FLANGE WITHOUT GROOVE	
075	NUMBER OF OUTPUT FLANGE BORES 4	
076	OUTPUT FLANGE BOLT WITHOUT	
077	DIMENSION OUTPUT FLANGE SCREW WITHOUT	
078	STANDARD	
079	CONACT EXTENDED 8	
080	CONACT EXTENDED -30	
081	PULSE SENSOR TRANSMISSION WITH	
082	PROT.CAP PULSE SENSOR GEARBOX WITHOUT	
083	PULSE RATE PULSE SENS GEARBOX 57 IMP/U	
084	TACHO PULSE SENSOR WITHOUT	
085	PROTECTING CAP SPEEDO PULSE SENSOR WITHOUT	
086	PULSE RATE, SPEEDO 8 IMP/U	
087	DESIG,CONN,SPEEDO PULSE SENSOR WITHOUT	
088	DESIGN, SPEEDO PULSE SENSOR WITHOUT GROOVE	
089	REFERENCE LENGTH INPUT SHAFT 113 mm	
090	STANDARD TYPE INPUT SHAFT SAE	
091	DIAMETER, JOURNAL, INPUT SHAFT 25 mm	
092	LENGTH, INPUT SHAFT JOURNAL 31.9 mm	
100	Alias ID -----	
101	DAF TRUCKS N.V. 2189392	

# Assembly group overview

Page 1 from 2



Material number: 1358.001.067

12 TX 2620 TD /

Picture	Pos.	Material number	Name	Quantity	Amend. no.	Techn. Info.
194.F5.01-1	990	6070.106.700	SOFTWARE	1		
194.01.31-1	10	1370.101.003	TYPE PLATE	1		
194.01.54-1	210	1358.170.014	RATIO	1		
194.01.02-1	301	1358.101.015	CLUTCH HOUSING	1		
194.02.01-1	10	1358.102.008	INPUT SHAFT	1		
194.02.40-1	30	1358.102.010	CONNECTION PLATE	1		
194.02.80-1	40	1358.102.802	CONNECTION PLATE	1		
194.02.20-1	311	1370.302.419	INPUT SHAFT	1		
194.03.20-1	21	1358.203.223	COUNTERSHAFT	0		
194.03.01-1	30	1372.103.001	COUNTERSHAFT	1		
194.03.40-1	31	1358.203.239	COUNTERSHAFT	0		
194.04.20-1	11	1372.304.029	HELICAL GEAR	0		
194.04.01-1	20	1358.104.004	MAIN SHAFT	1		
194.05.20-1	41	1358.305.206	HELICAL GEAR	0		
194.05.20-1	51	1358.305.206	HELICAL GEAR	0		
194.05.01-1	70	1370.105.001	RETURN	1		
194.06.03-1	80	1358.106.003	TRANSMISSION SHIFT SYSTEM	1		
194.07.02-1	60	1358.107.004	BRAKE	1		
194.08.01-1	50	1358.108.002	PUMP	1		
194.10.01-1	140	1358.110.002	OIL SUPPLY	1		
194.012.004-1	90	1358.112.005	GEARSHIFT SYST. GV	1		
194.27.02-1	260	1358.127.003	CONTROL UNIT	1		
194.27.80-1	270	1358.127.800	CONTROL UNIT	1		
194.31.02-1	10	1358.131.010	HOUSING GP	0		
194.31.40-1	12	1358.131.402	OUTPUT COVER	0		
194.31.80-1	230	1358.131.801	HOUSING GP	1		
194.31.51-1	341	0768.406.235	SCREW PLUG	1		
194.31.20-1	800	1358.131.007	ADAPTER	1		
194.032.002-1	10	1358.132.004	PLANETARY DRIVE	1		
194.32.81-1	120	1358.132.801	SLEEVE	1		

# Assembly group overview

Page 2 from 2



Material number: 1358.001.067

12 TX 2620 TD /

Picture	Pos.	Material number	Name	Quantity	Amend. no.	Techn. Info.
194.33.01-1	20	1358.133.002	SYNCHRONIZER GP	1		
194.33.30-1	61	1358.333.502	PLATE	0		
194.034.001-1	110	1358.134.003	GEARSHIFT SYST. GP	1		
194.35.02-1	321	1358.135.006	OUTPUT	1		
194.47.80-1	400	1358.147.801	SCREW PLUG	1		
194.59.01-1	370	1358.159.001	PNEUMATIC CONNECTION	1		
194.68.03-1	360	1372.168.002	CLUTCH RELEASE DEVICE	1		
194.71.01-1	220	1358.171.008	CONNECTION	1		
194.72.02-1	20	1358.172.004	IMPULSRAD	0		
194.R0.03-1	KIT	1358.298.001	REPAIR KIT	1		

# Picture

Page 1 from 1

Material number: 1358.001.067

Picture: 194.F5.01-1

Material-assembly-group-no: 6070.106.700



12 TX 2620 TD /  
SOFTWARE





# Picture

Page 1 from 3

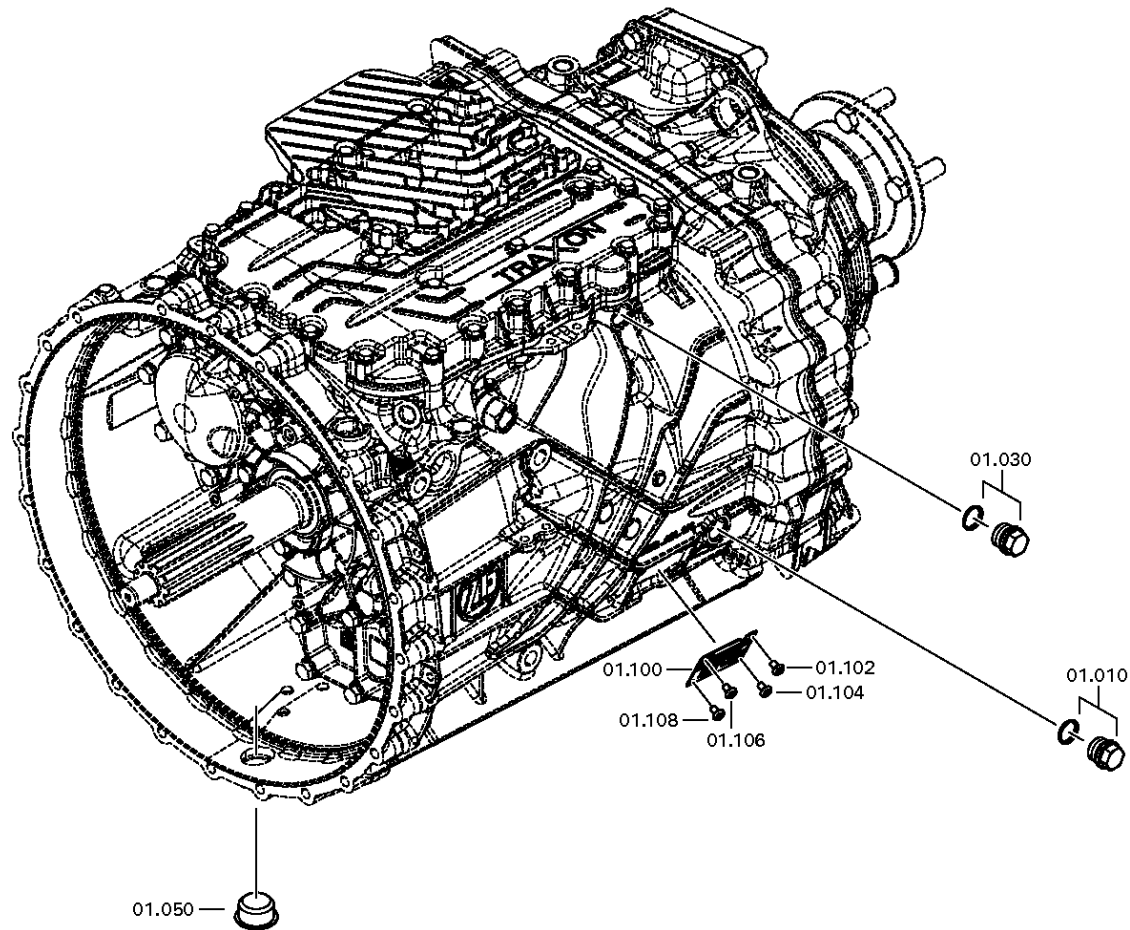
Material number: 1358.001.067

Picture: 194.01.31-1

TYPE PLATE



12 TX 2620 TD /  
TYPE PLATE



# Picture

Page 2 from 3

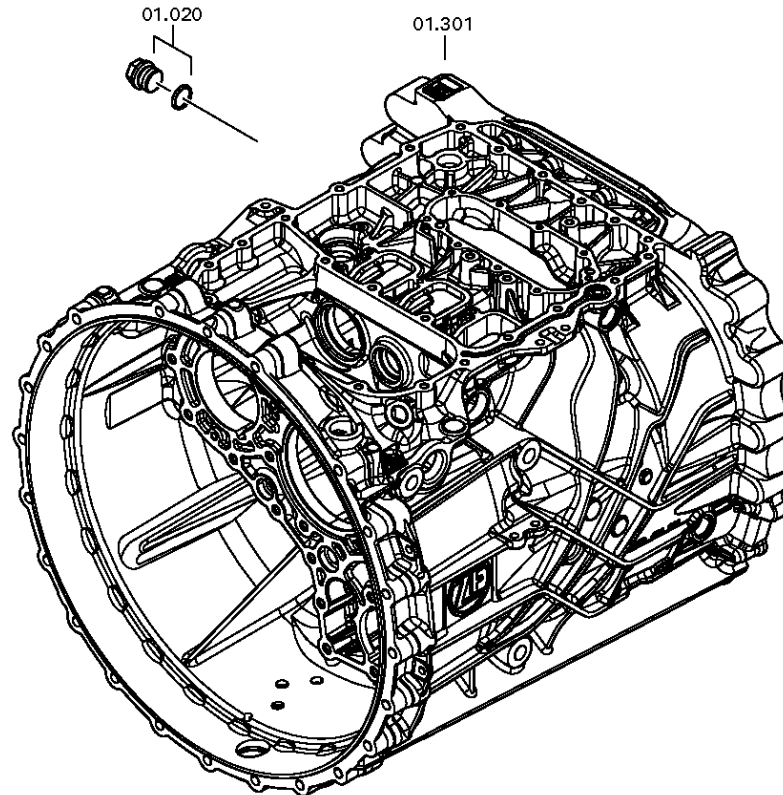
Material number: 1358.001.067

Picture: 194.01.02-1

TYPE PLATE



12 TX 2620 TD /  
TYPE PLATE



# Picture

Page 3 from 3

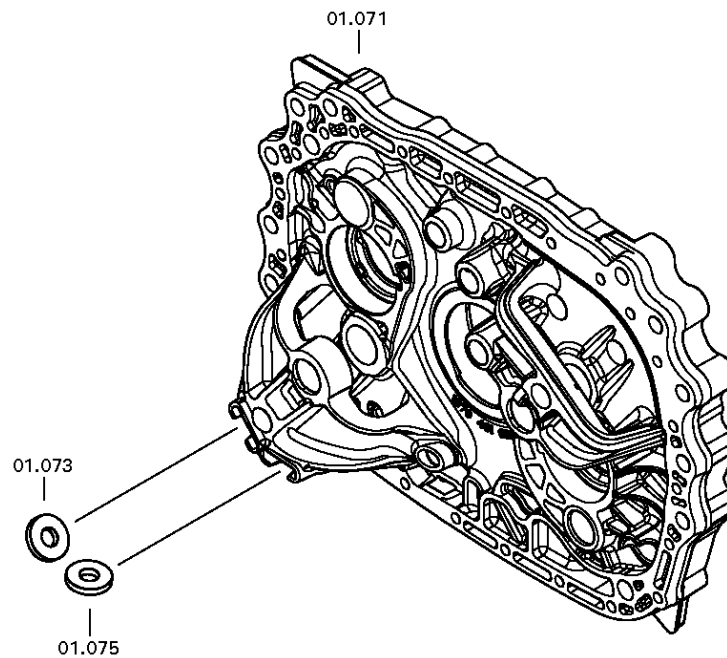
Material number: 1358.001.067

Picture: 194.01.54-1

TYPE PLATE



12 TX 2620 TD /  
TYPE PLATE



# Picture

Page 1 from 4

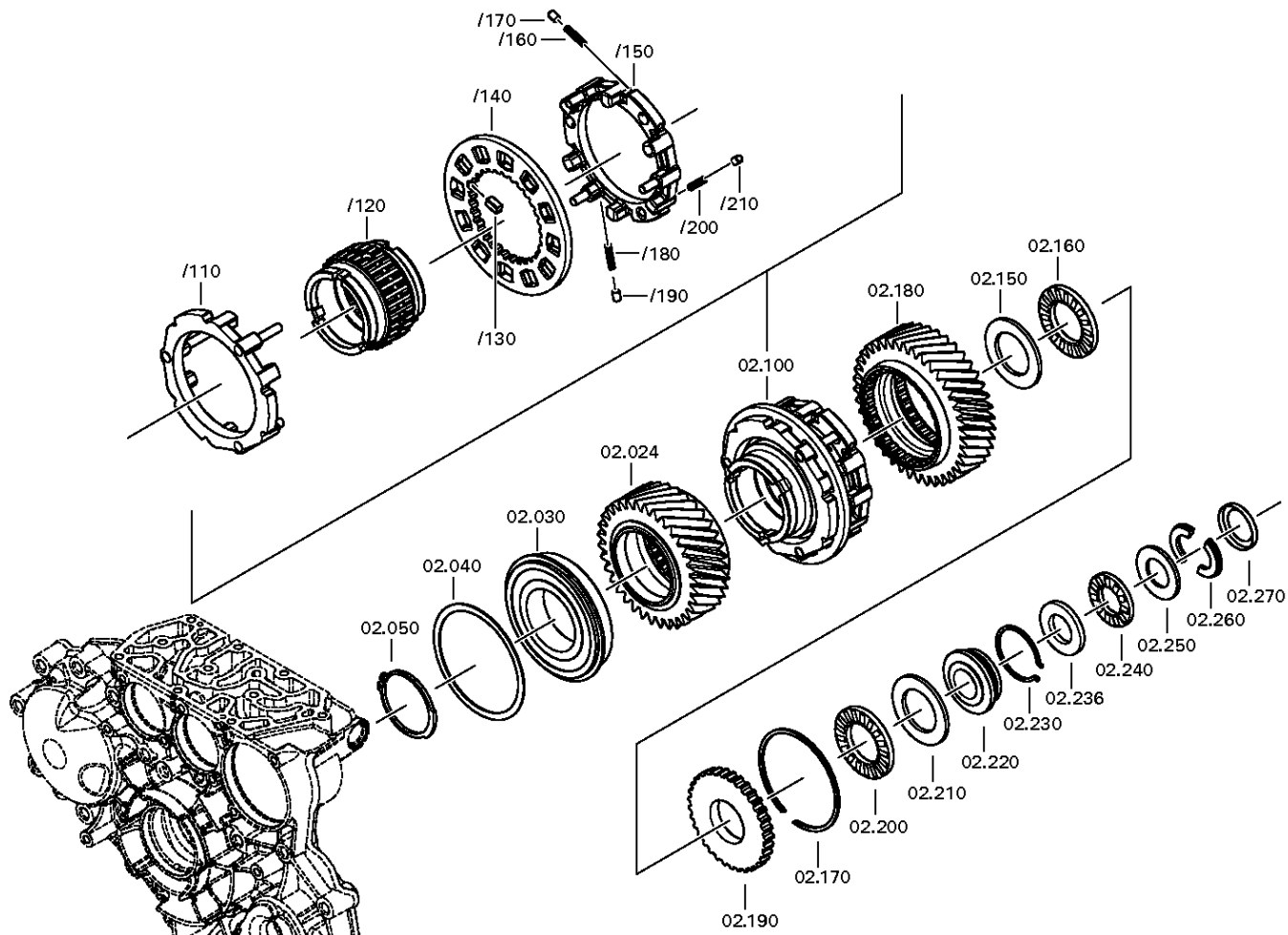
Material number: 1358.001.067

Picture: 194.02.01-1

INPUT SHAFT



12 TX 2620 TD /  
INPUT SHAFT



# Picture

Page 2 from 4

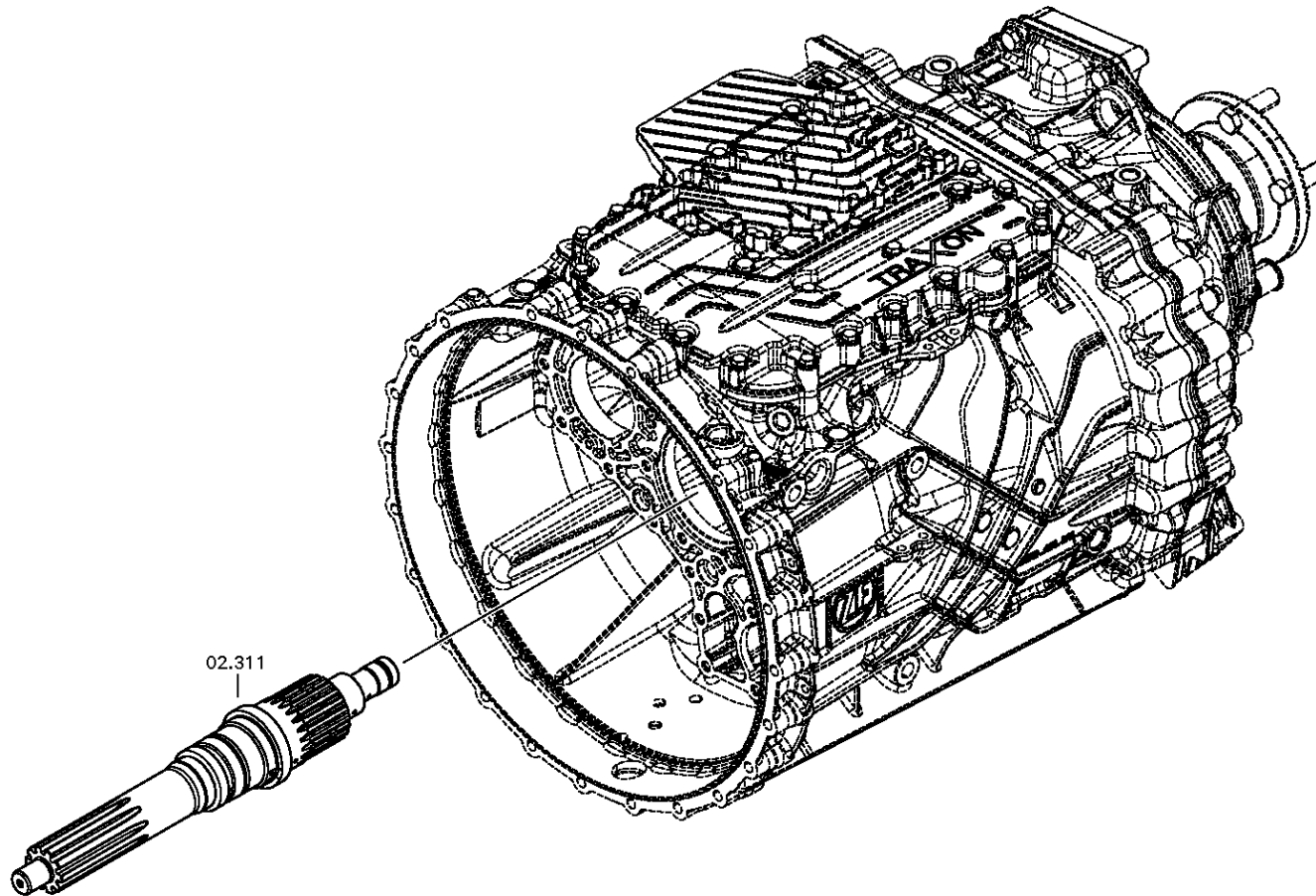
Material number: 1358.001.067

Picture: 194.02.20-1

INPUT SHAFT



12 TX 2620 TD /  
INPUT SHAFT



# Picture

Page 3 from 4

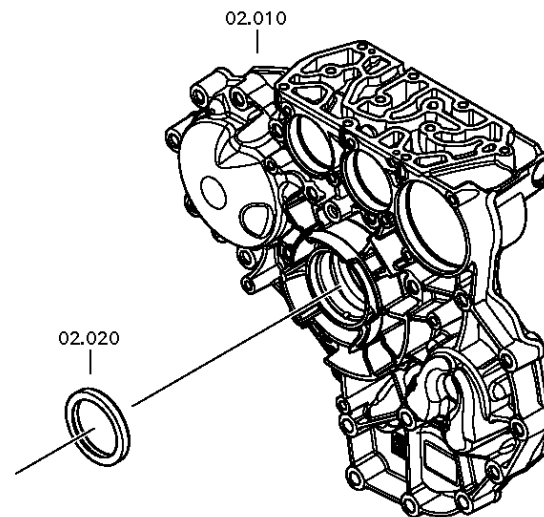
Material number: 1358.001.067

Picture: 194.02.40-1

INPUT SHAFT



12 TX 2620 TD /  
INPUT SHAFT



# Picture

Page 4 from 4

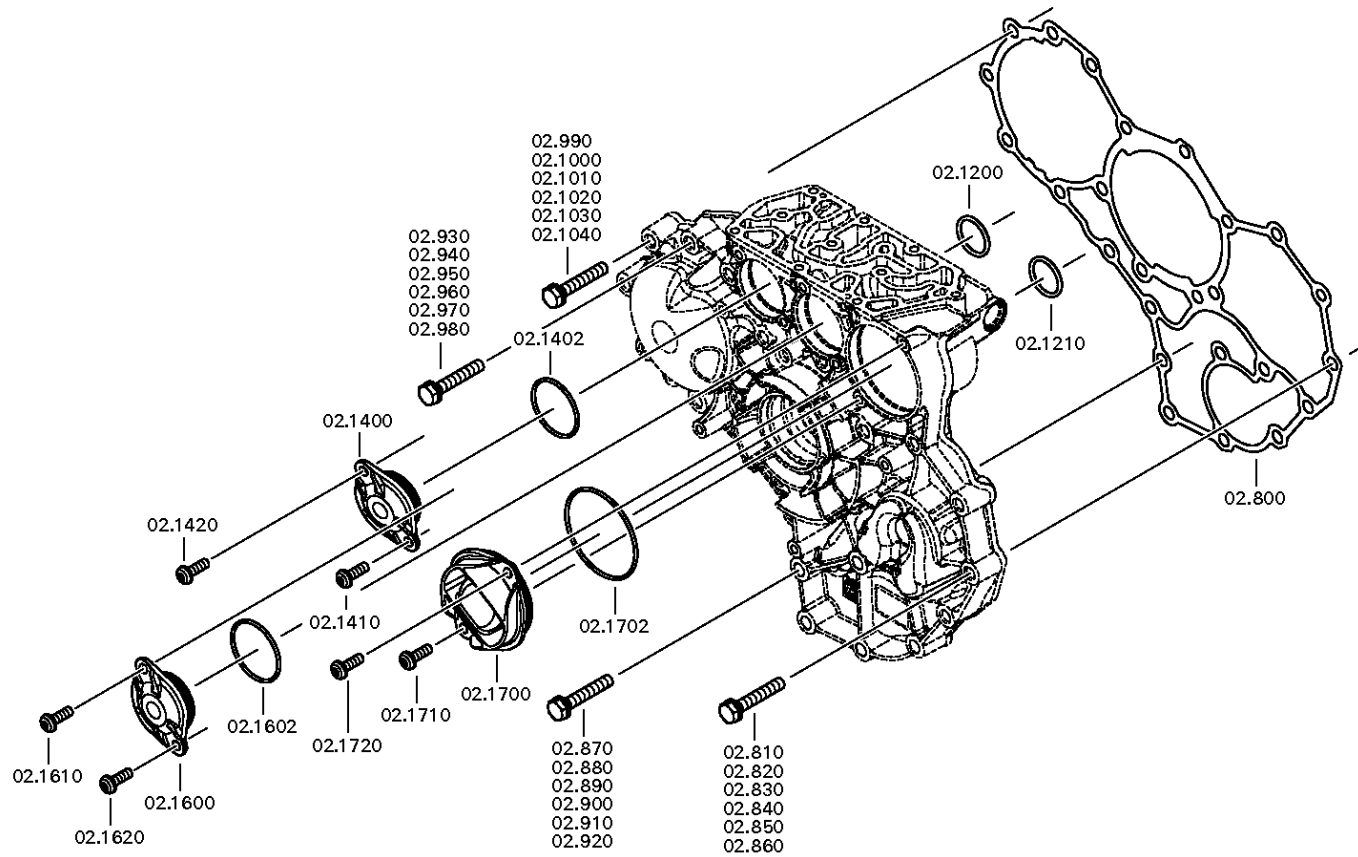
Material number: 1358.001.067

Picture: 194.02.80-1

INPUT SHAFT



12 TX 2620 TD /  
INPUT SHAFT



# Picture

Page 1 from 1

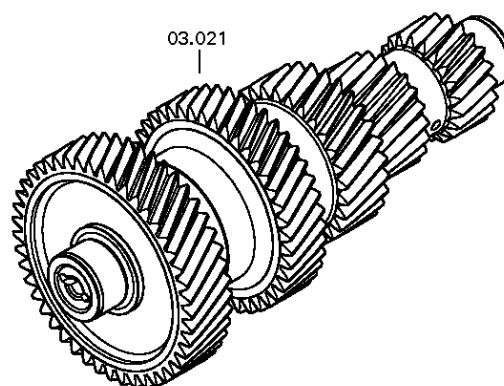
Material number: 1358.001.067

Picture: 194.03.20-1

Material-assembly-group-no: 1358.203.223



12 TX 2620 TD /  
COUNTERSHAFT





# Picture

Page 1 from 1

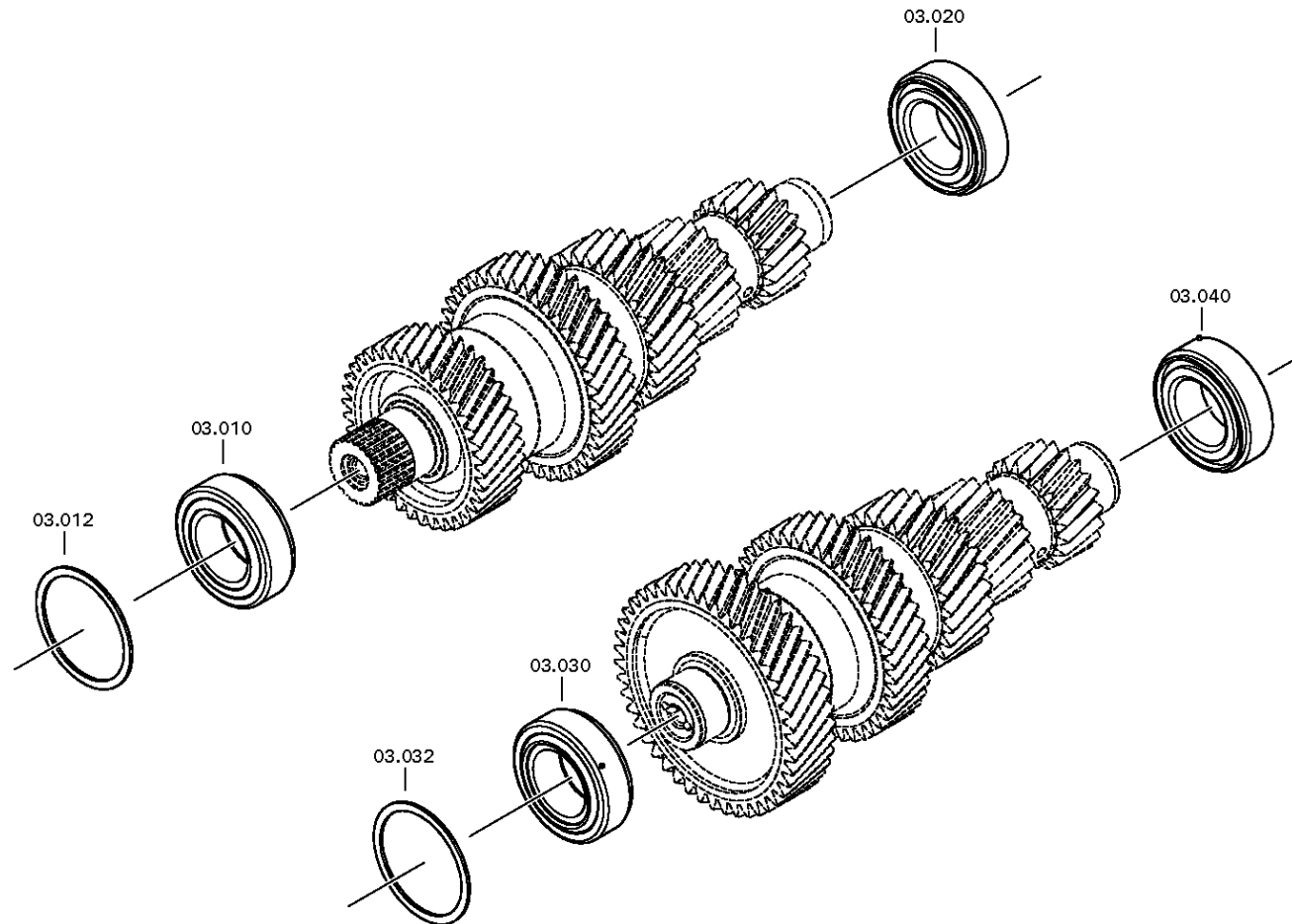
Material number: 1358.001.067

Picture: 194.03.01-1

Material-assembly-group-no: 1372.103.001



12 TX 2620 TD /  
COUNTERSHAFT



# Picture

Page 1 from 1

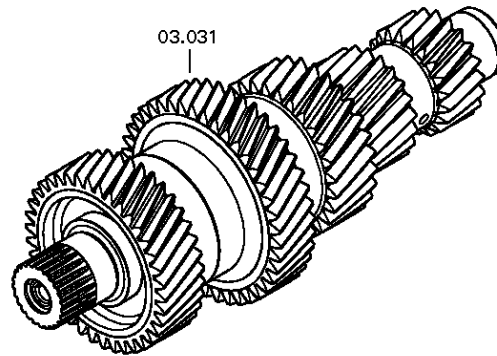
Material number: 1358.001.067

Picture: 194.03.40-1

Material-assembly-group-no: 1358.203.239



12 TX 2620 TD /  
COUNTERSHAFT



# Picture

Page 1 from 1

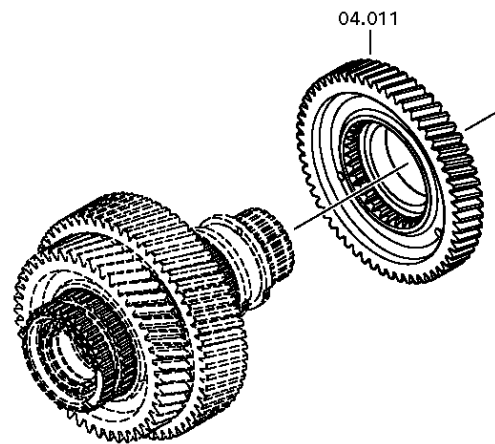
Material number: 1358.001.067

Picture: 194.04.20-1

Material-assembly-group-no: 1372.304.029



12 TX 2620 TD /  
HELICAL GEAR



# Picture

Page 1 from 1

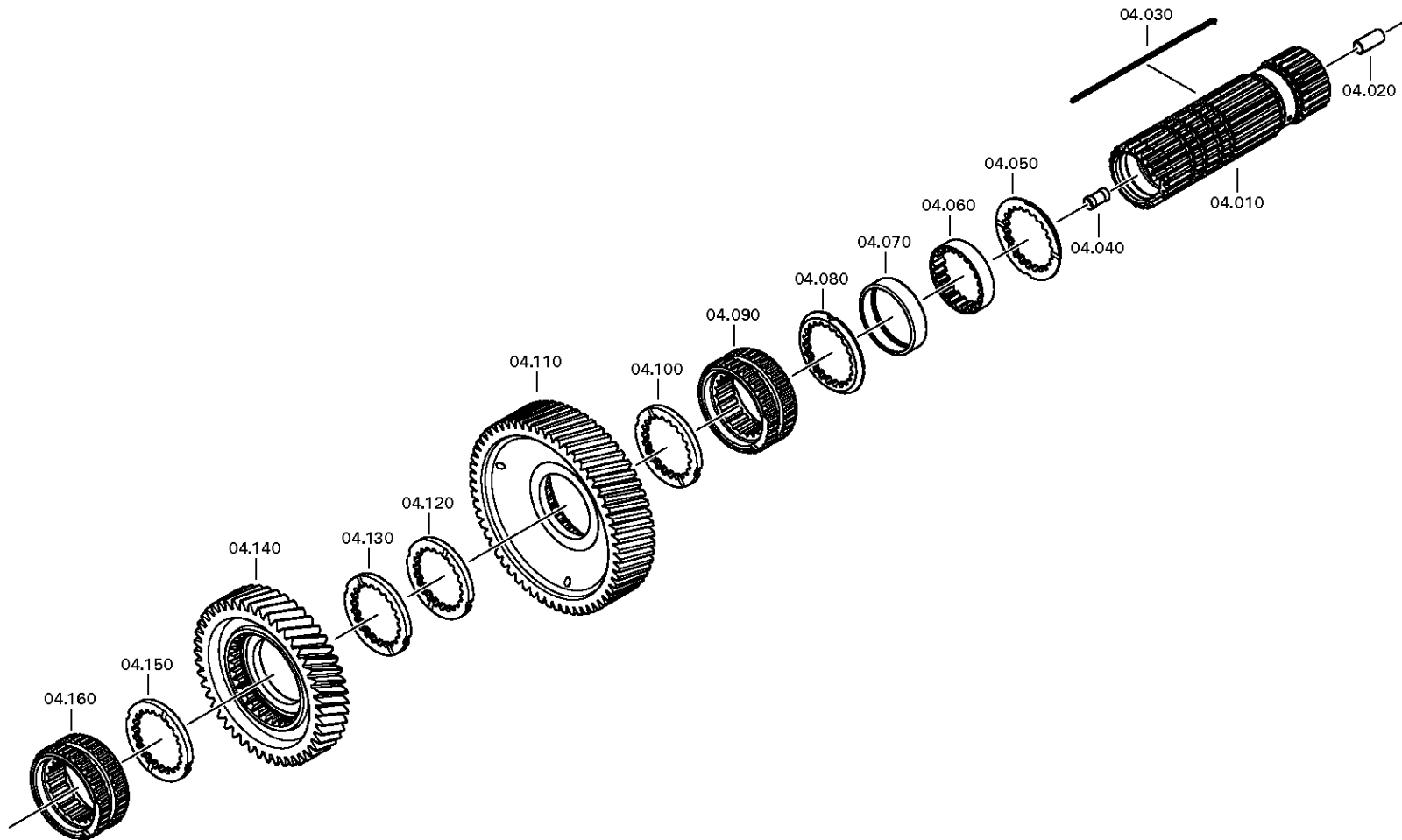
Material number: 1358.001.067

Picture: 194.04.01-1

Material-assembly-group-no: 1358.104.004



12 TX 2620 TD /  
MAIN SHAFT



# Picture

Page 1 from 1

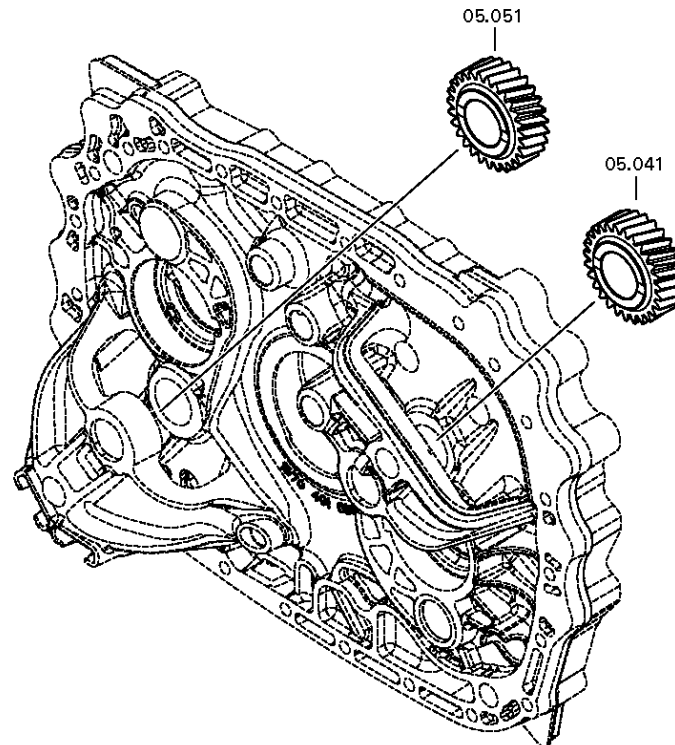
Material number: 1358.001.067

Picture: 194.05.20-1

Material-assembly-group-no: 1358.305.206



12 TX 2620 TD /  
HELICAL GEAR



# Picture

Page 1 from 1

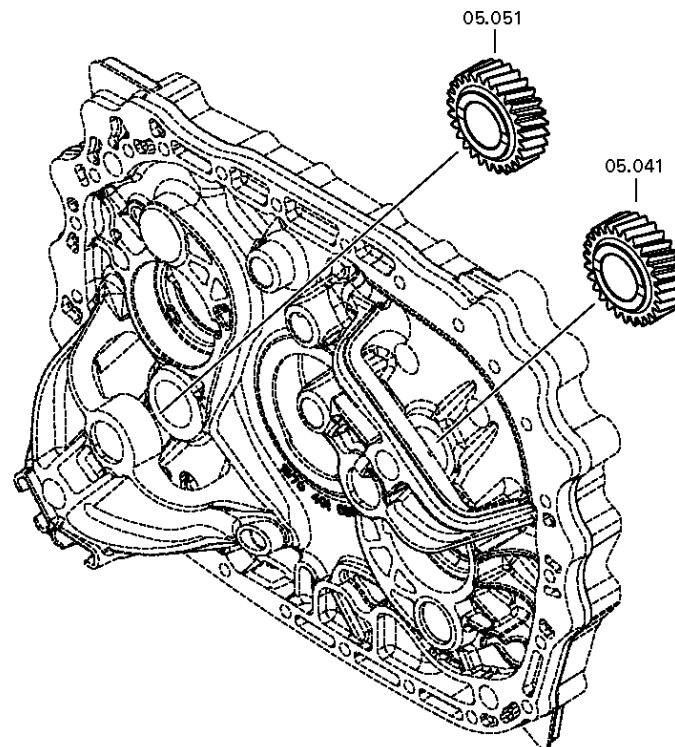
Material number: 1358.001.067

Picture: 194.05.20-1

Material-assembly-group-no: 1358.305.206



12 TX 2620 TD /  
HELICAL GEAR



# Picture

Page 1 from 1

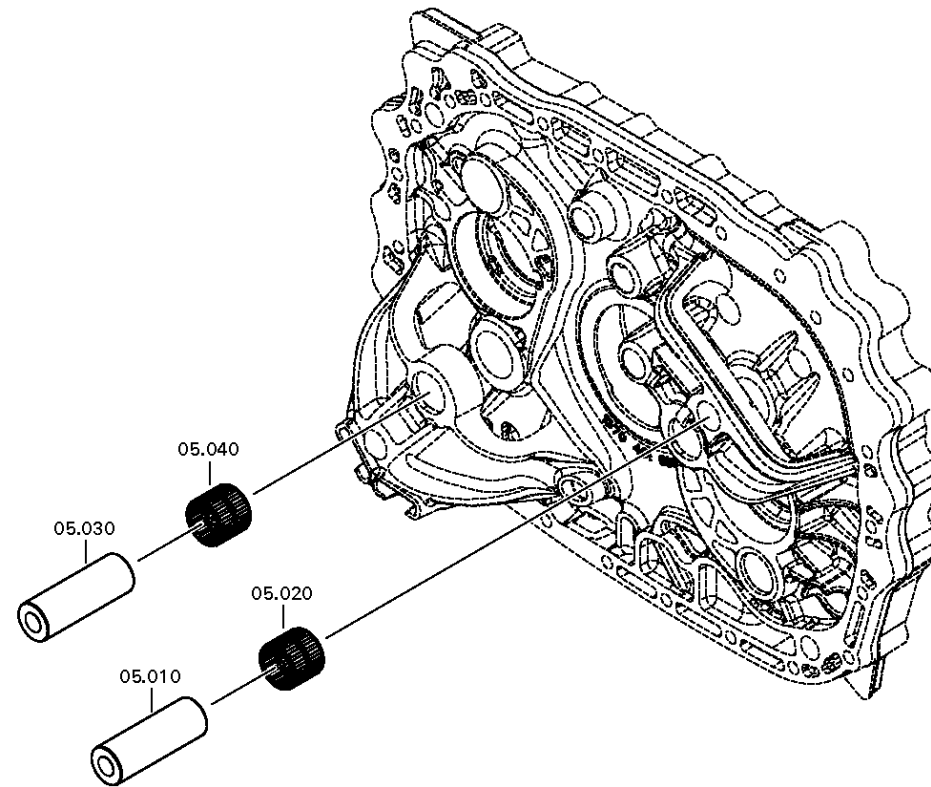
Material number: 1358.001.067

Picture: 194.05.01-1

Material-assembly-group-no: 1370.105.001



12 TX 2620 TD /  
RETURN



# Picture

Page 1 from 1

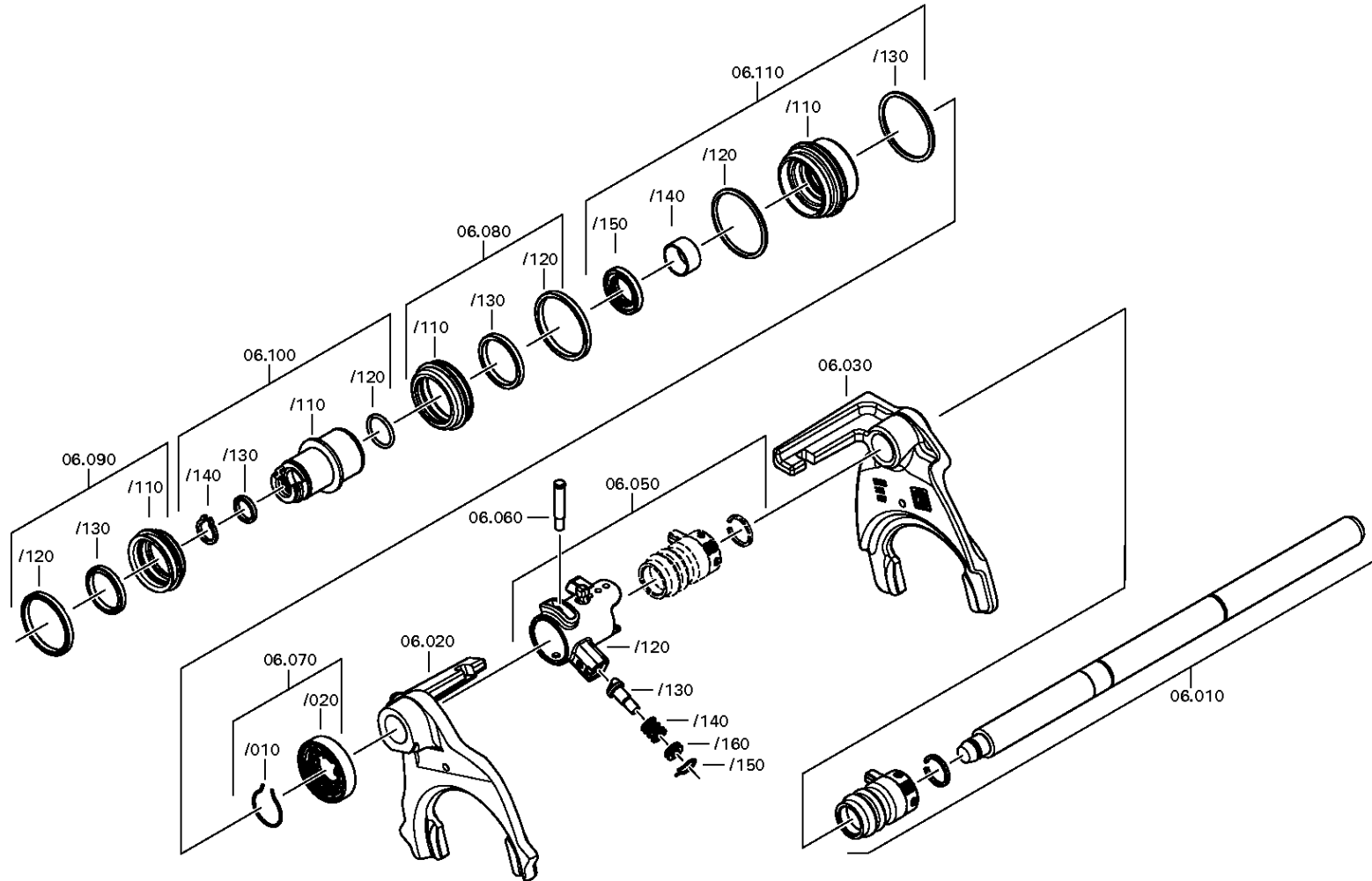
Material number: 1358.001.067

Picture: 194.06.03-1

Material-assembly-group-no: 1358.106.003



12 TX 2620 TD /  
TRANSMISSION SHIFT SYSTEM





# Picture

Page 1 from 1

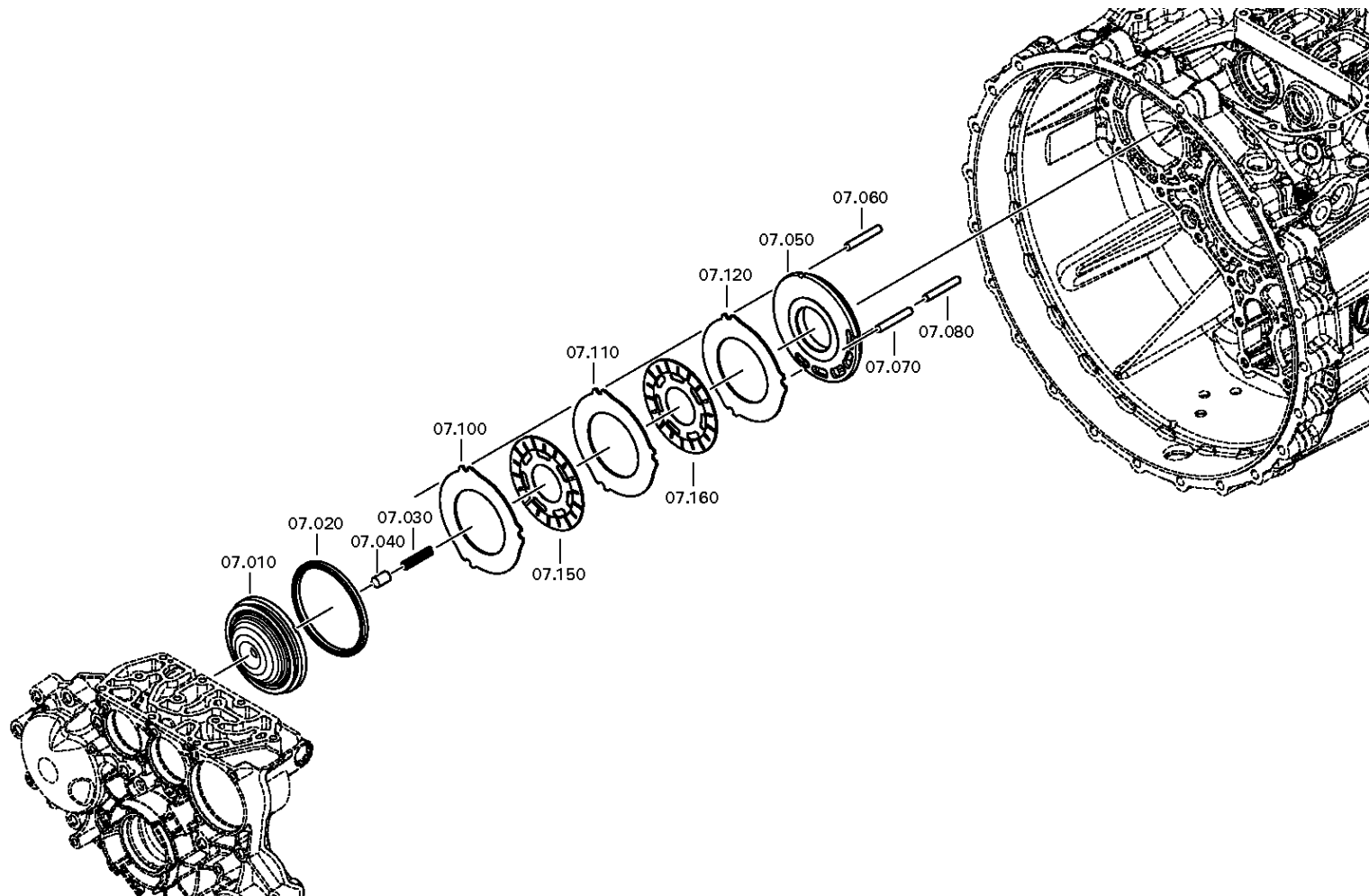
Material number: 1358.001.067

Picture: 194.07.02-1

Material-assembly-group-no: 1358.107.004



12 TX 2620 TD /  
BRAKE



# Picture

Page 1 from 1

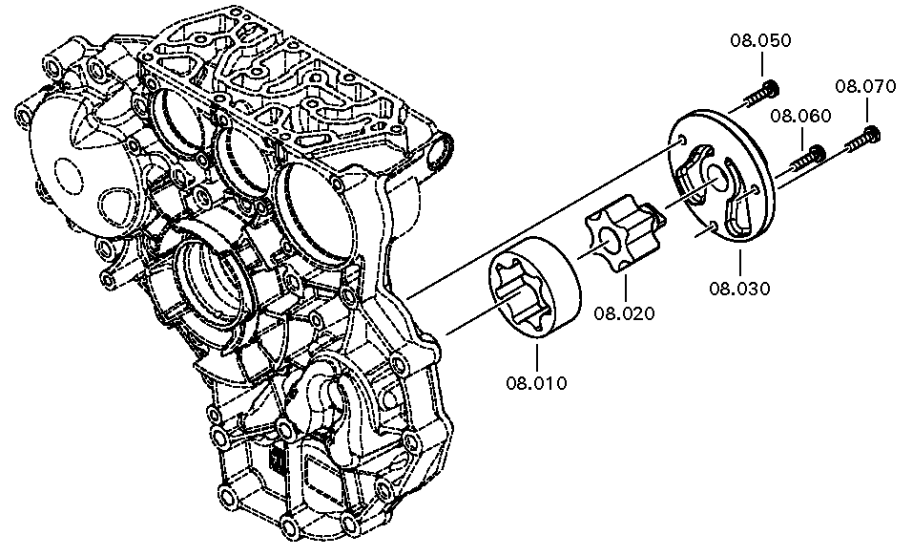
Material number: 1358.001.067

Picture: 194.08.01-1

Material-assembly-group-no: 1358.108.002



12 TX 2620 TD /  
PUMP



# Picture

Page 1 from 1

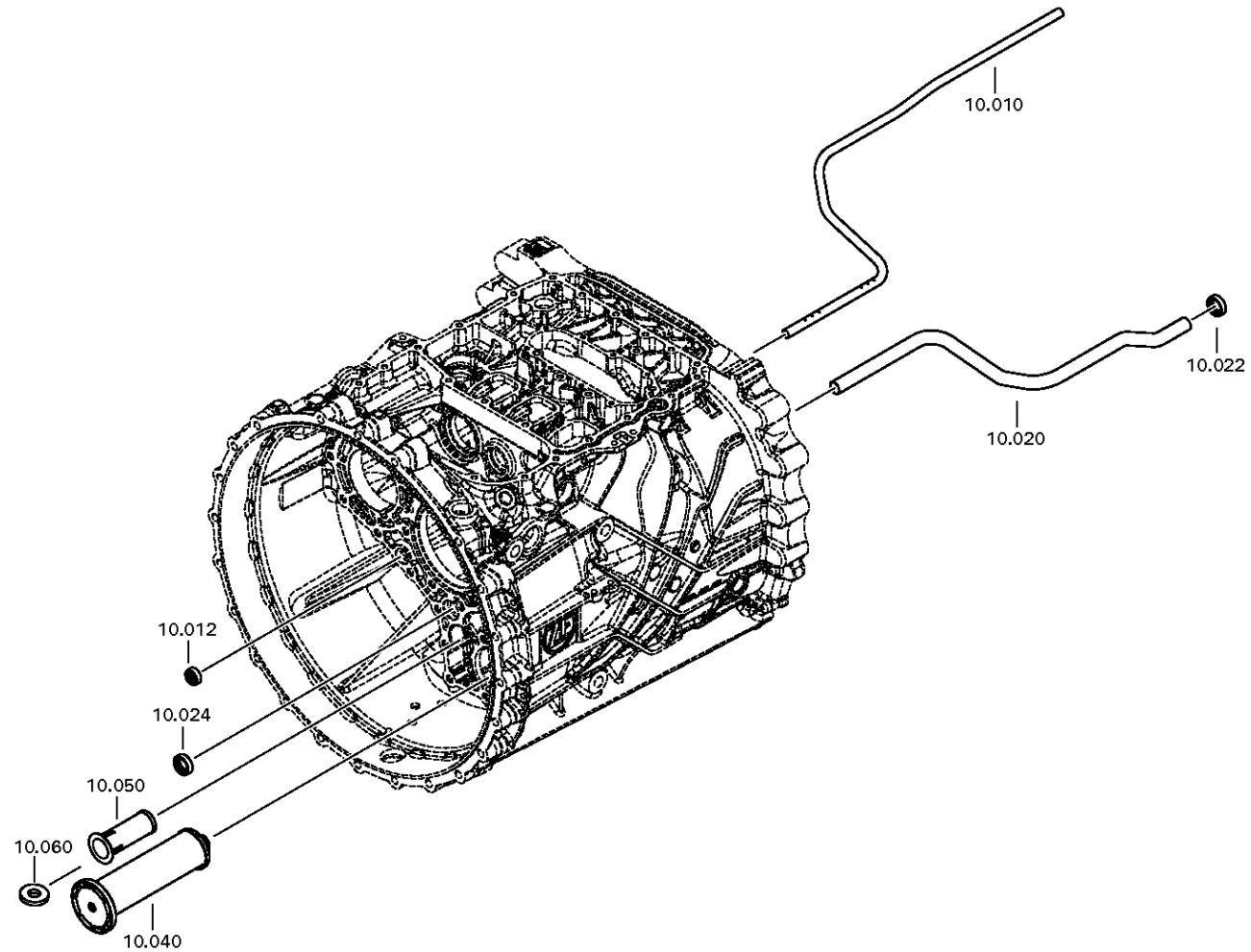
Material number: 1358.001.067

Picture: 194.10.01-1

Material-assembly-group-no: 1358.110.002



12 TX 2620 TD /  
OIL SUPPLY



# Picture

Page 1 from 1

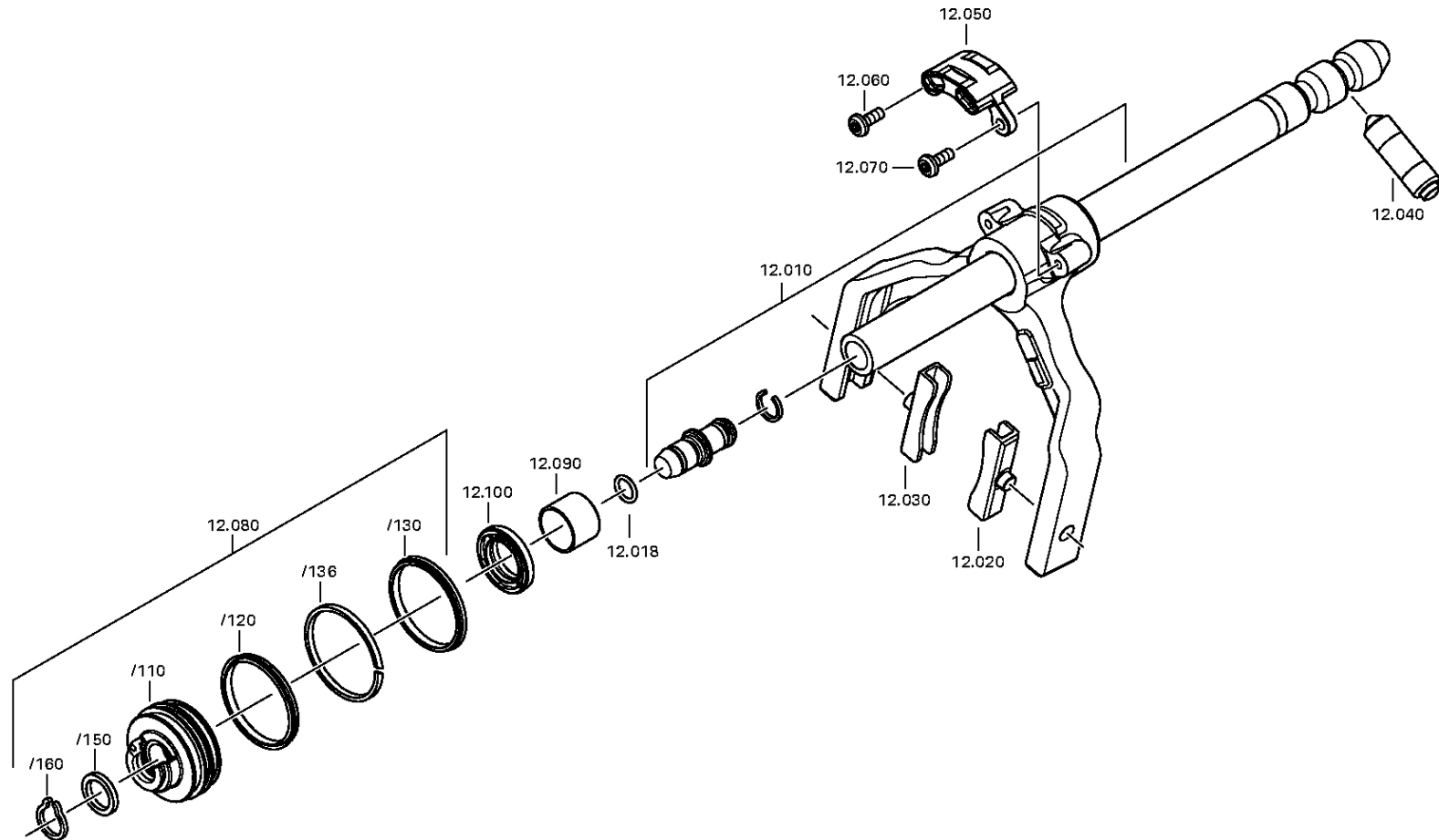
Material number: 1358.001.067

Picture: 194.012.004-1

Material-assembly-group-no: 1358.112.005



12 TX 2620 TD /  
GEARSHIFT SYST. GV



# Picture

Page 1 from 3

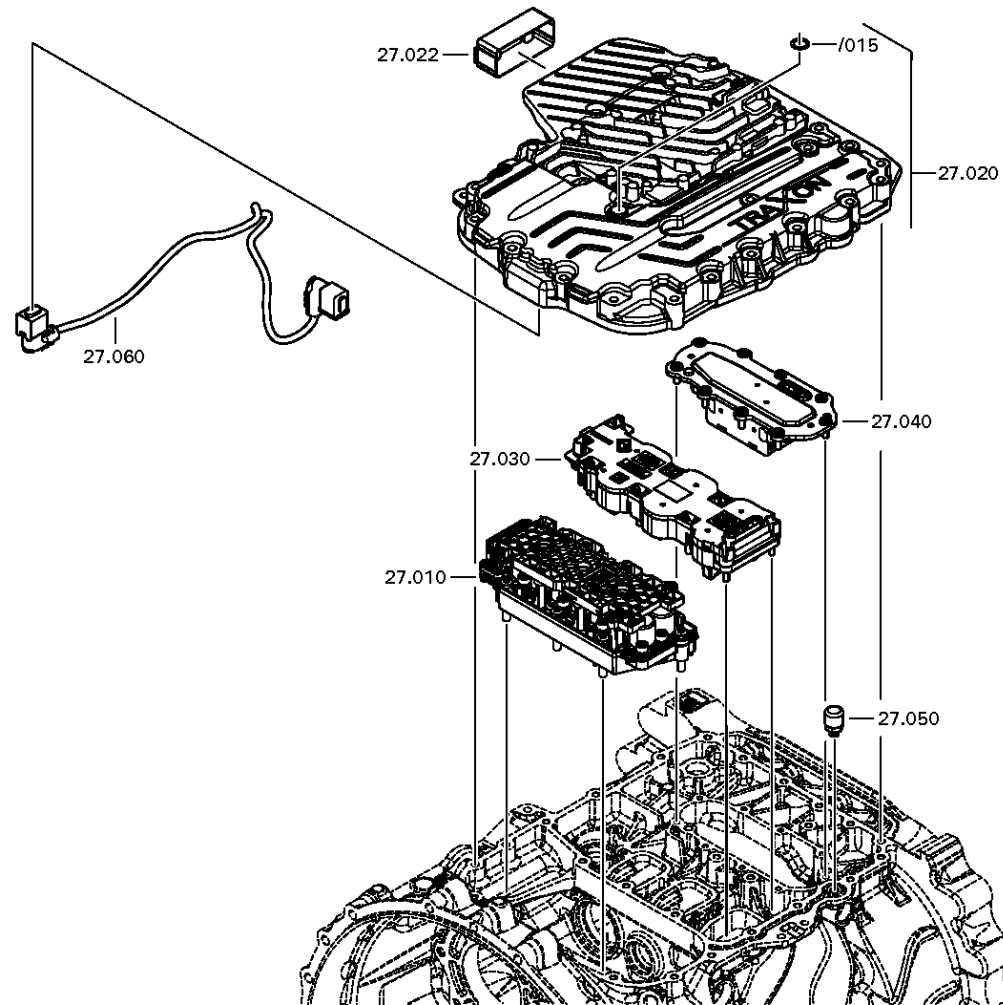
Material number: 1358.001.067

Picture: 194.27.02-1

CONTROL UNIT



12 TX 2620 TD /  
CONTROL UNIT



# Picture

Page 2 from 3

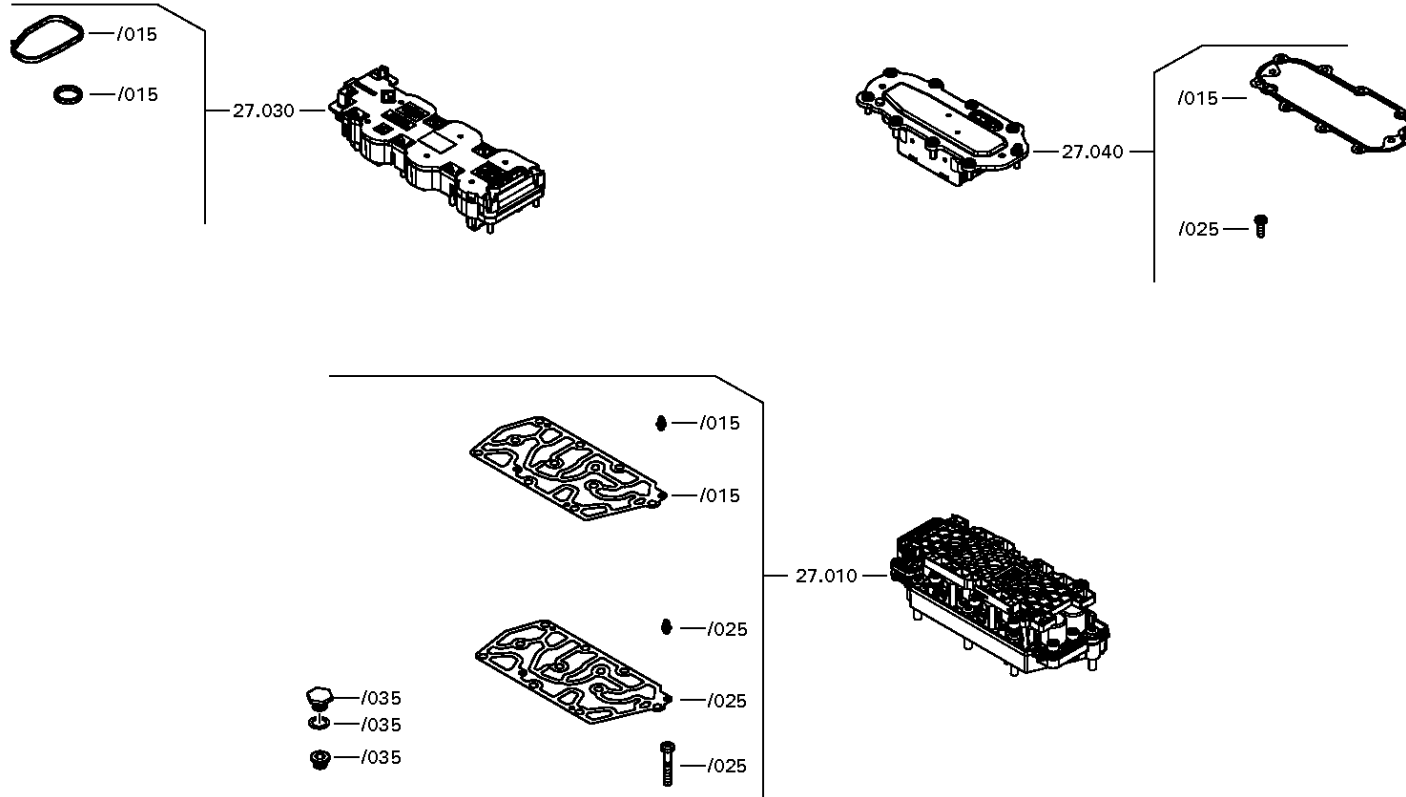
Material number: 1358.001.067

Picture: 194.27.02-2

CONTROL UNIT



12 TX 2620 TD /  
CONTROL UNIT



# Picture

Page 3 from 3

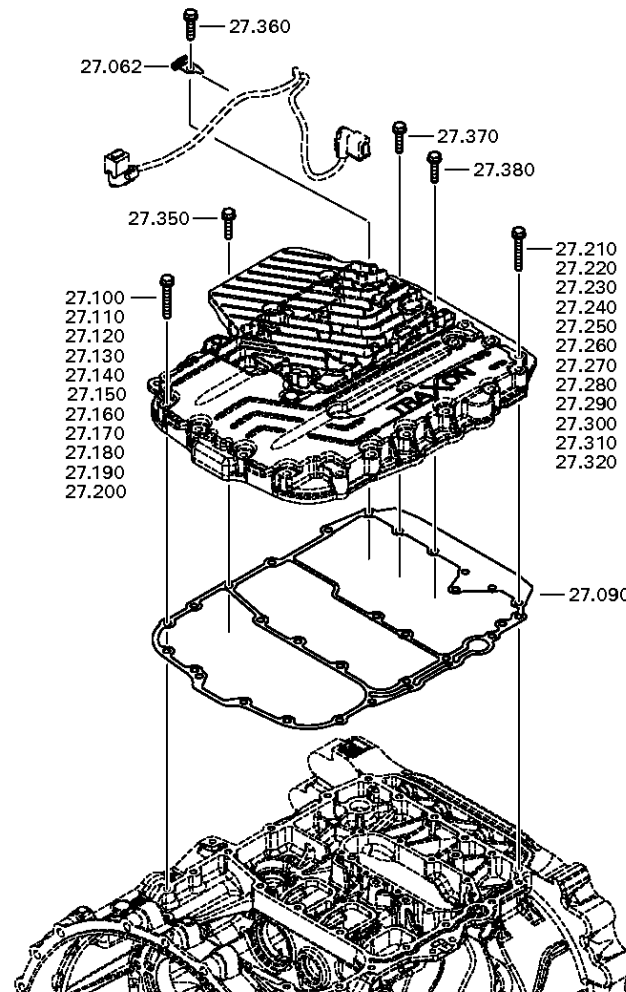
Material number: 1358.001.067

Picture: 194.27.80-1

CONTROL UNIT



12 TX 2620 TD /  
CONTROL UNIT



# Picture

Page 1 from 1

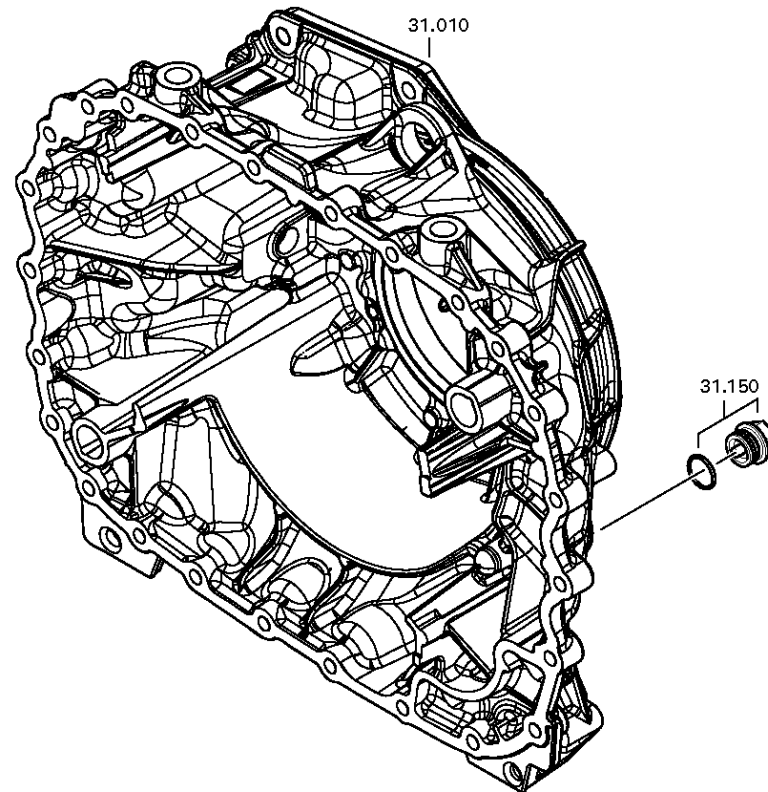
Material number: 1358.001.067

Picture: 194.31.02-1

Material-assembly-group-no: 1358.131.010



12 TX 2620 TD /  
HOUSING GP





# Picture

Page 1 from 1

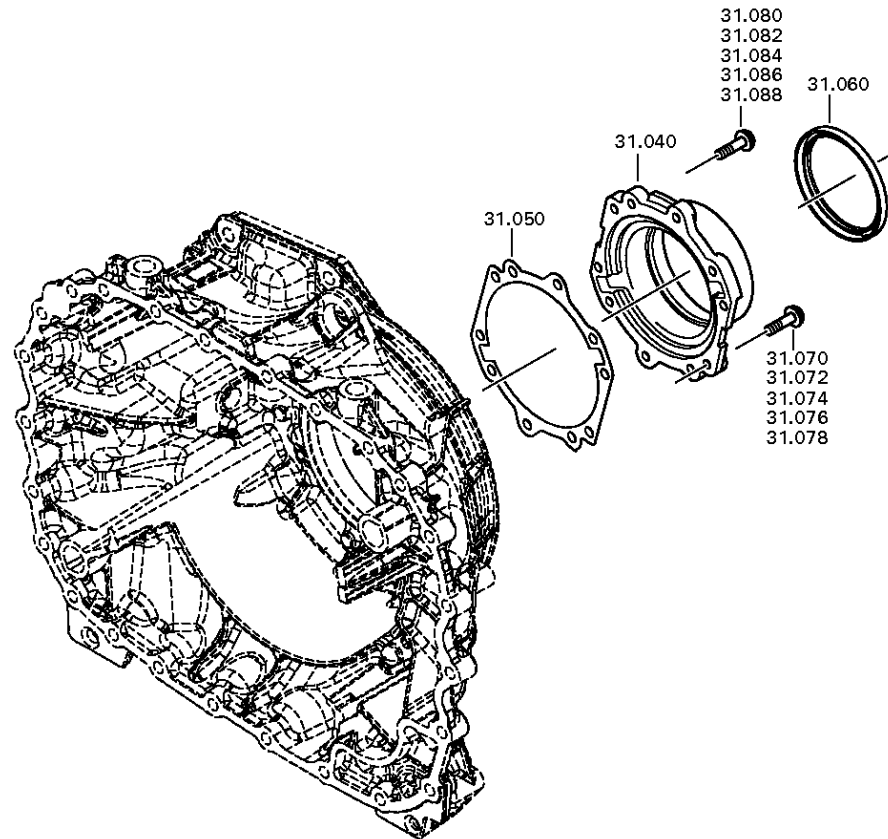
Material number: 1358.001.067

Picture: 194.31.40-1

Material-assembly-group-no: 1358.131.402



12 TX 2620 TD /  
OUTPUT COVER



# Picture

Page 1 from 3

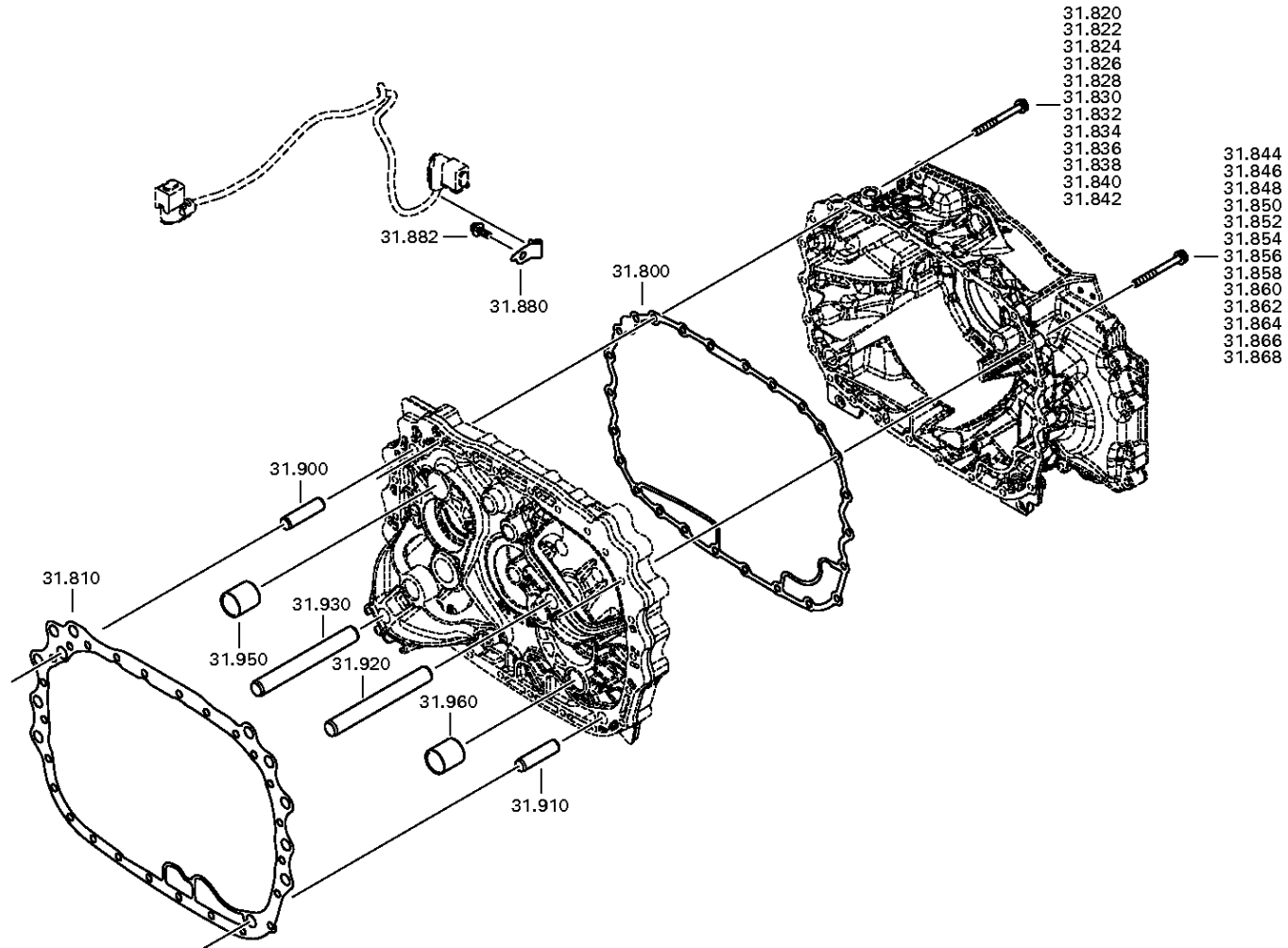
Material number: 1358.001.067

Picture: 194.31.80-1

HOUSING GP



12 TX 2620 TD /  
HOUSING GP



# Picture

Page 2 from 3

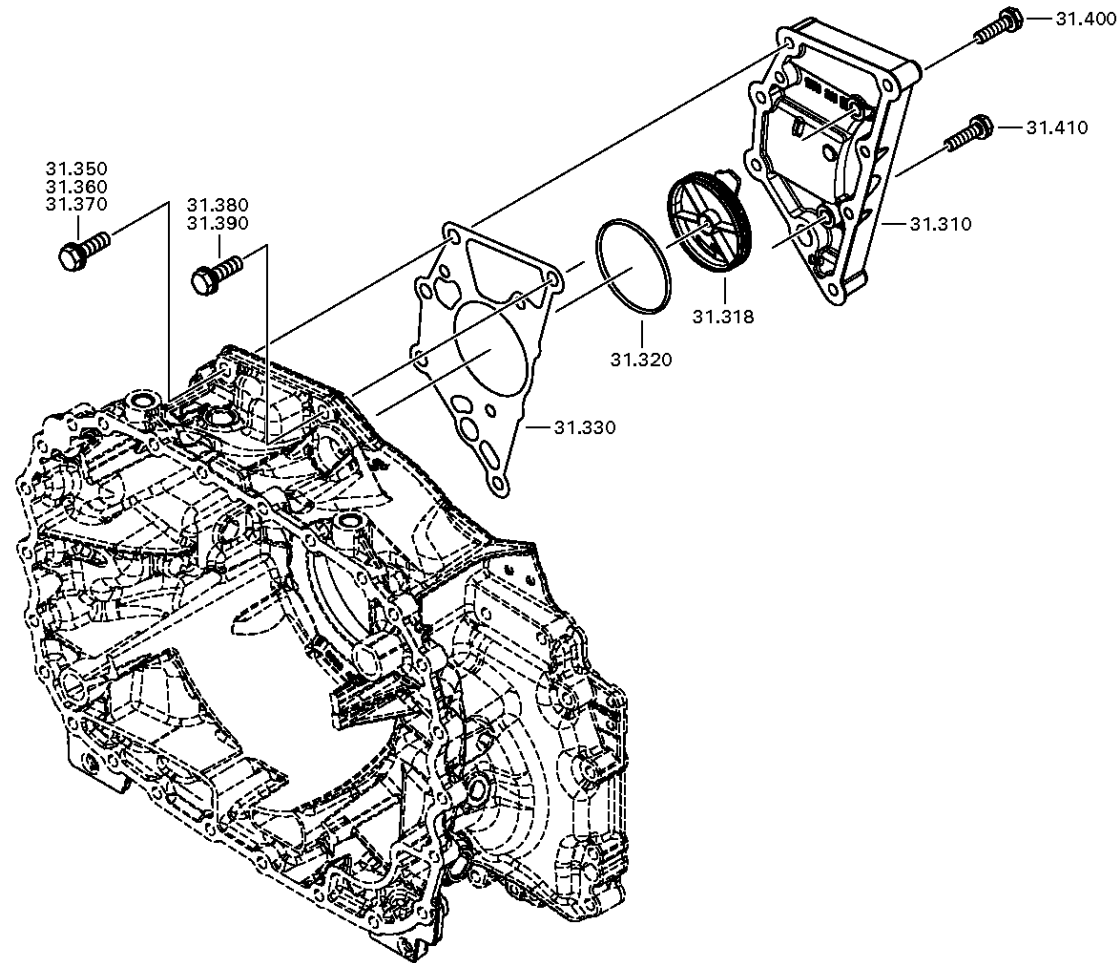
Material number: 1358.001.067

Picture: 194.31.20-1

HOUSING GP



12 TX 2620 TD /  
HOUSING GP



# Picture

Page 3 from 3

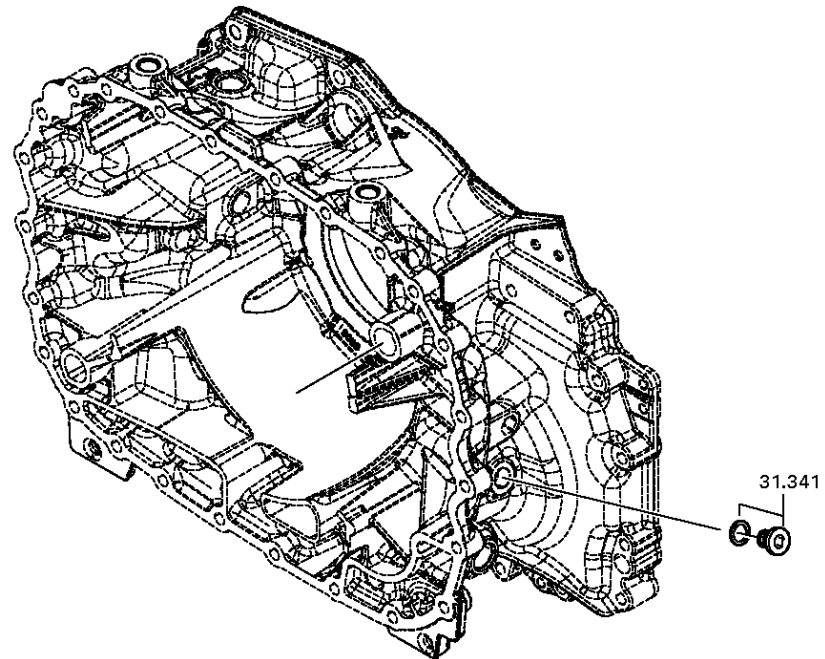
Material number: 1358.001.067

Picture: 194.31.51-1

HOUSING GP



12 TX 2620 TD /  
HOUSING GP



# Picture

Page 1 from 2

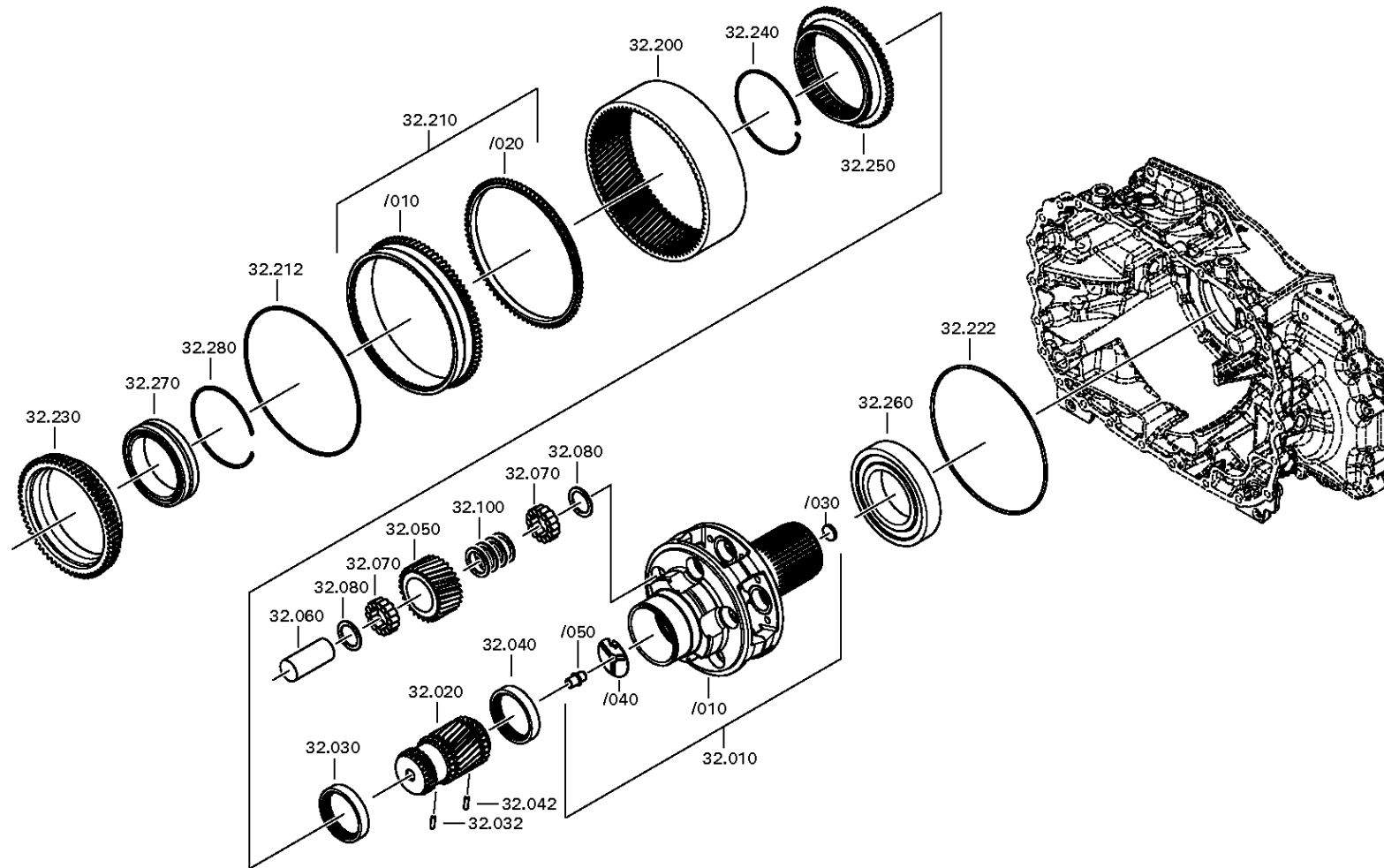
Material number: 1358.001.067

Picture: 194.032.002-1

PLANETARY DRIVE



12 TX 2620 TD /  
PLANETARY DRIVE



# Picture

Page 2 from 2

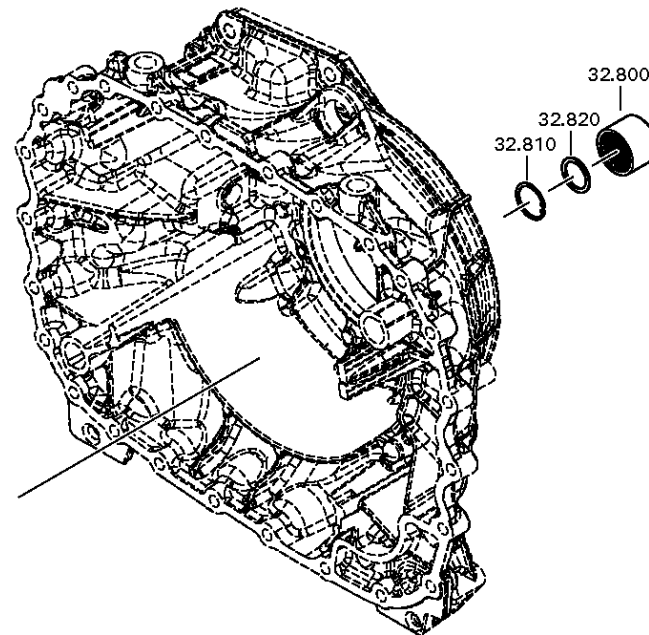
Material number: 1358.001.067

Picture: 194.32.81-1

PLANETARY DRIVE



12 TX 2620 TD /  
PLANETARY DRIVE



# Picture

Page 1 from 1

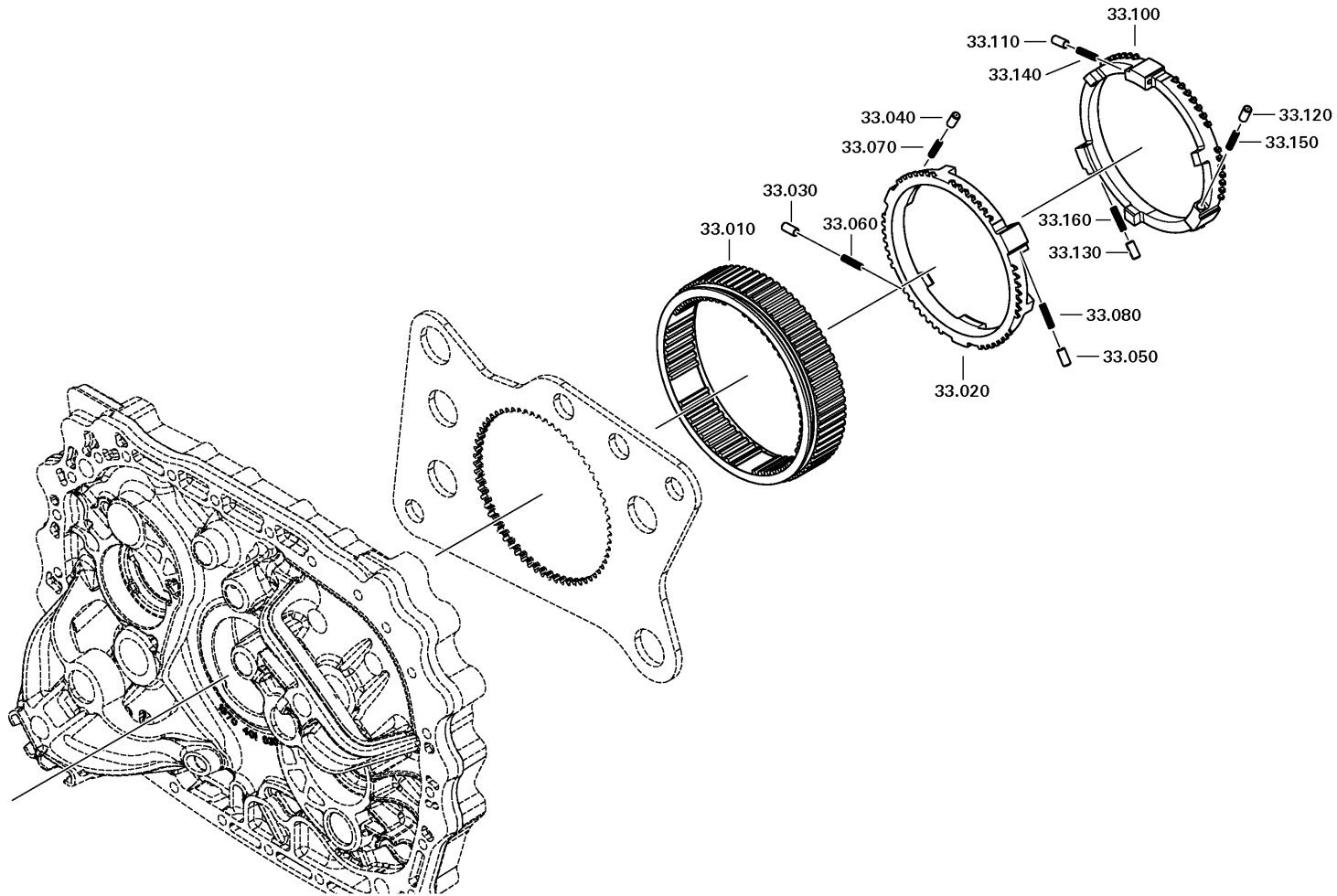
Material number: 1358.001.067

Picture: 194.33.01-1

Material-assembly-group-no: 1358.133.002



12 TX 2620 TD /  
SYNCHRONIZER GP



# Picture

Page 1 from 1

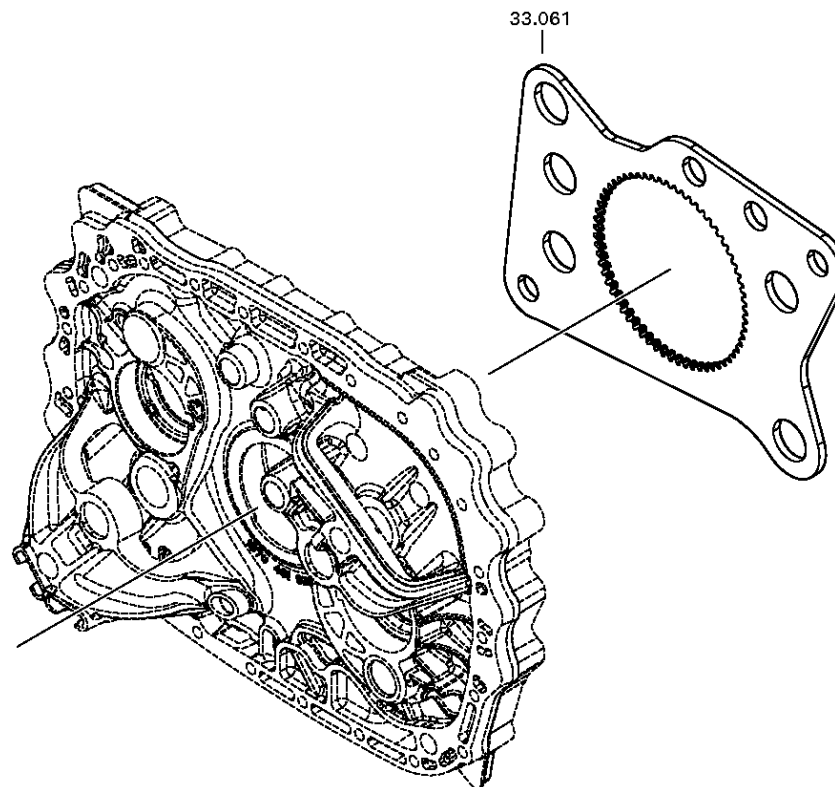
Material number: 1358.001.067

Picture: 194.33.30-1

Material-assembly-group-no: 1358.333.502



12 TX 2620 TD /  
PLATE





# Picture

Page 1 from 1

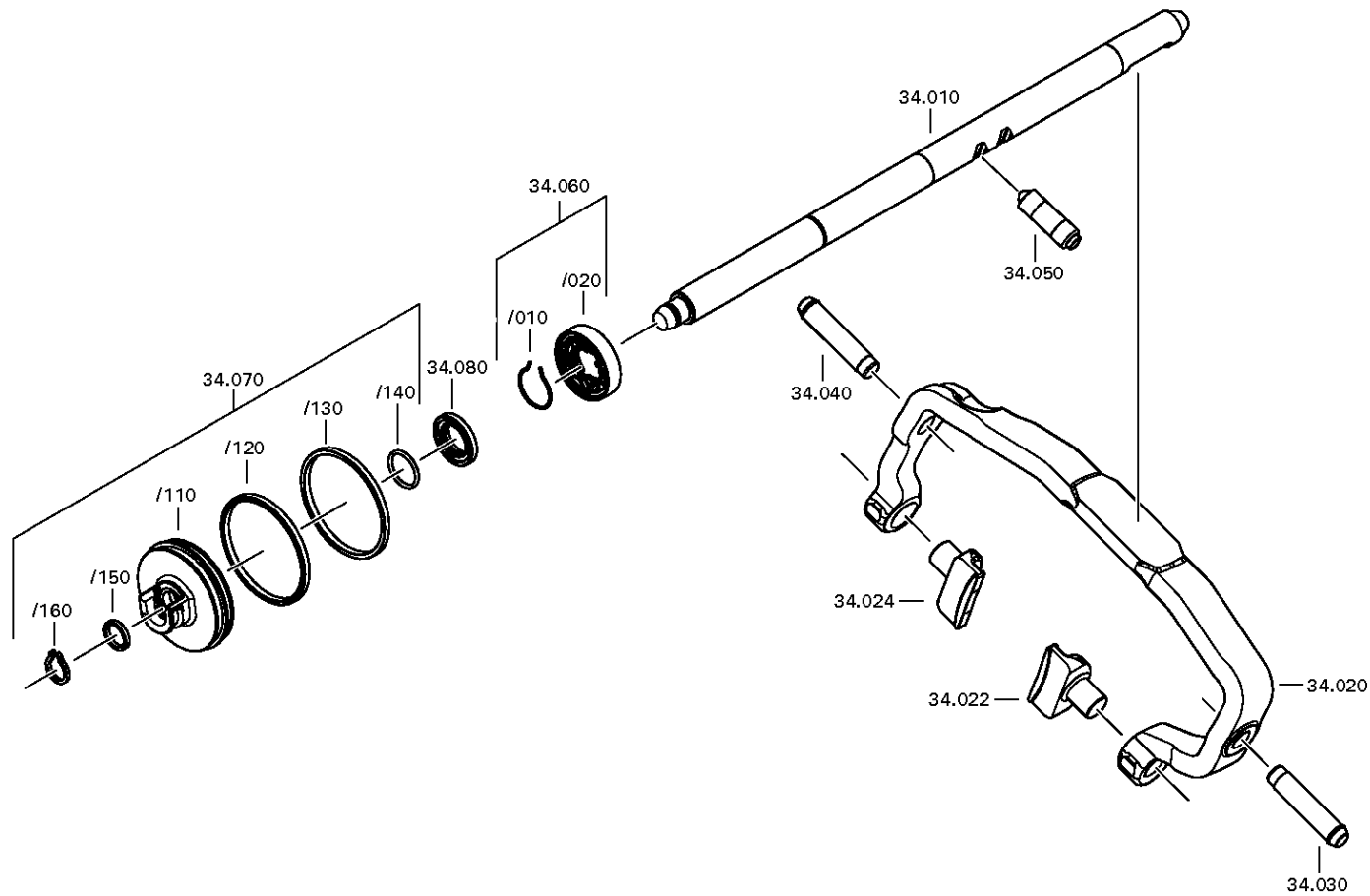
Material number: 1358.001.067

Picture: 194.034.001-1

Material-assembly-group-no: 1358.134.003



12 TX 2620 TD /  
GEARSHIFT SYST. GP



# Picture

Page 1 from 1

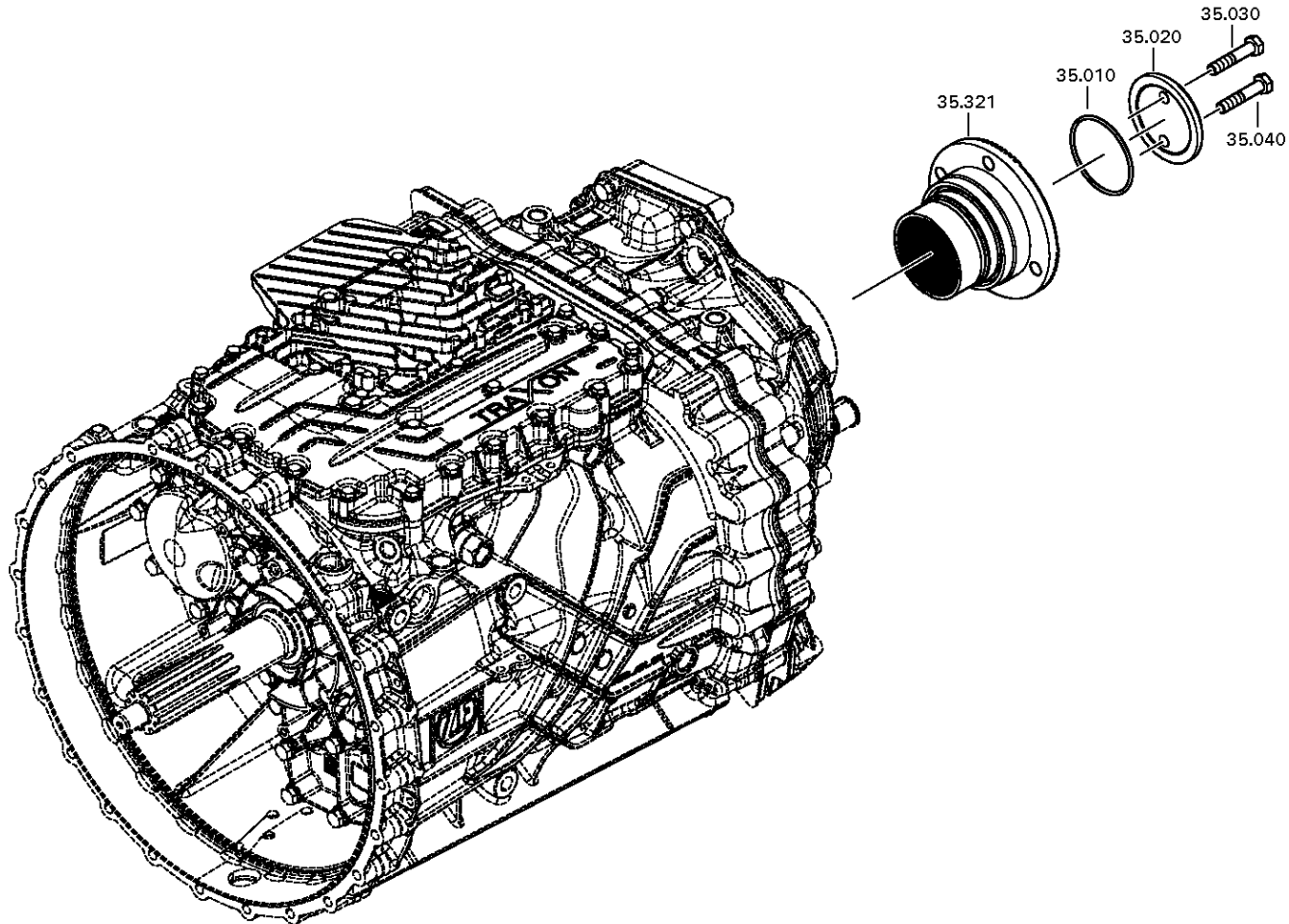
Material number: 1358.001.067

Picture: 194.35.02-1

Material-assembly-group-no: 1358.135.006



12 TX 2620 TD /  
OUTPUT



# Picture

Page 1 from 1

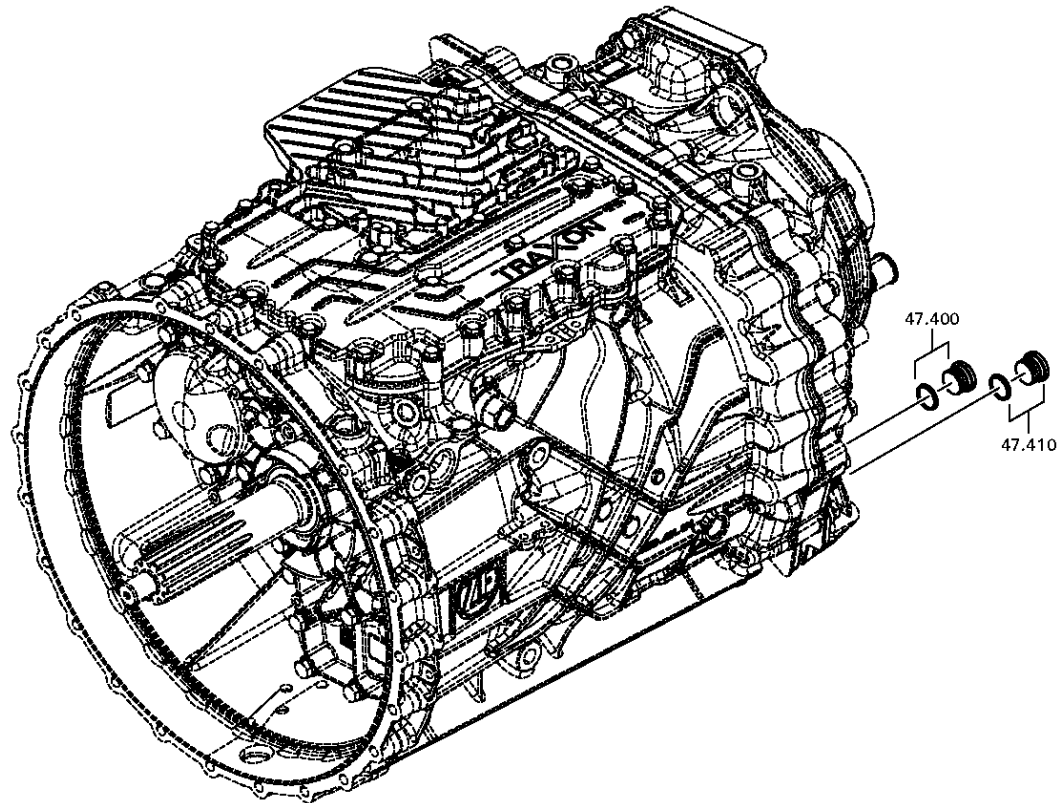
Material number: 1358.001.067

Picture: 194.47.80-1

Material-assembly-group-no: 1358.147.801



12 TX 2620 TD /  
SCREW PLUG



# Picture

Page 1 from 1

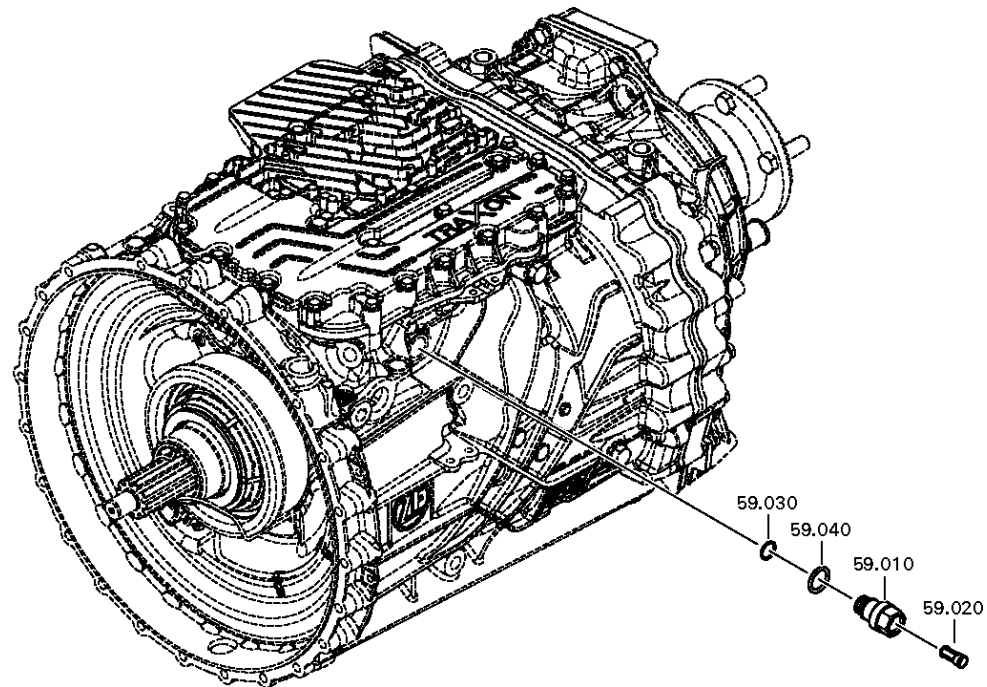
Material number: 1358.001.067

Picture: 194.59.01-1

Material-assembly-group-no: 1358.159.001



12 TX 2620 TD /  
PNEUMATIC CONNECTION



# Picture

Page 1 from 1

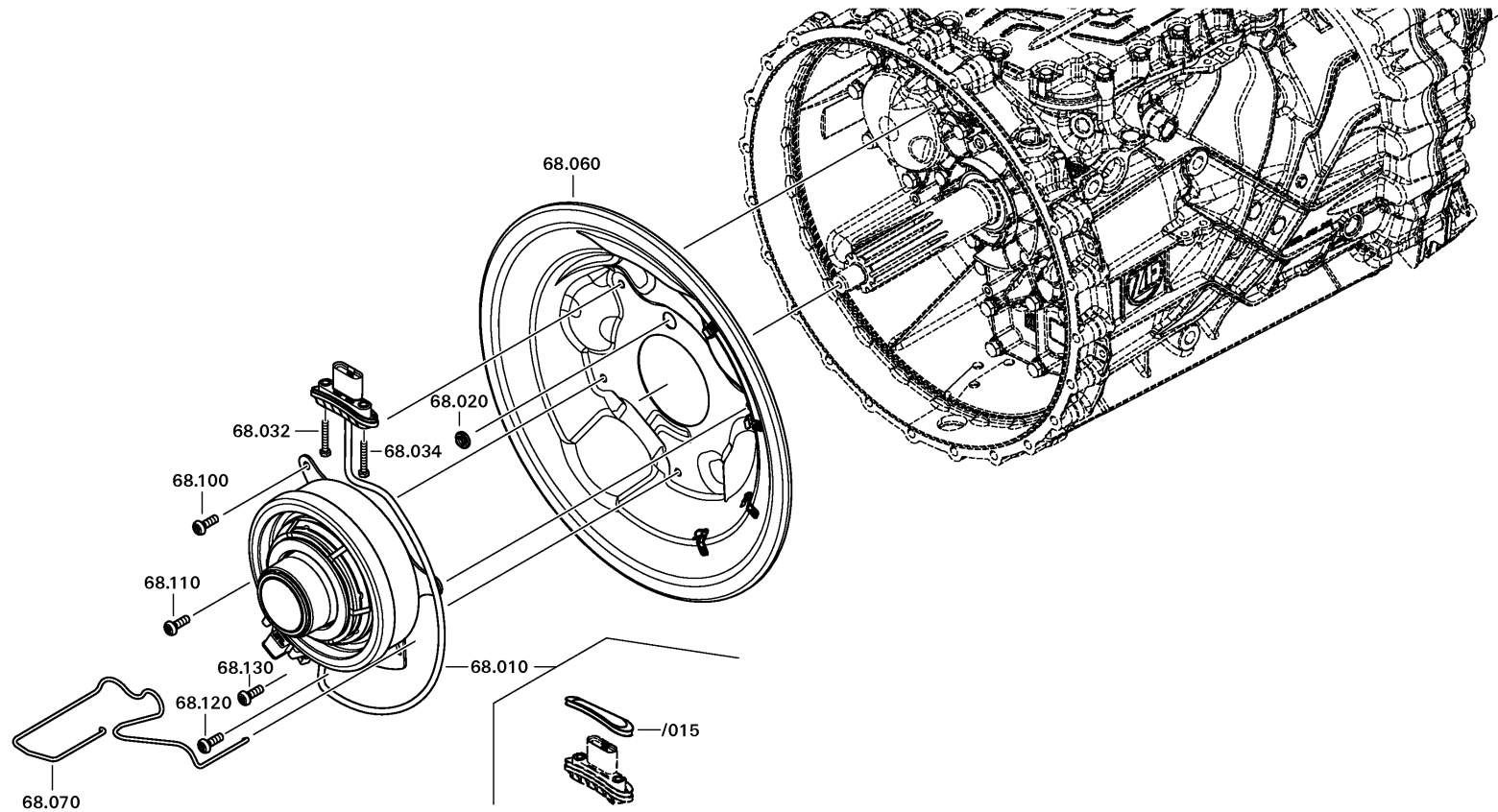
Material number: 1358.001.067

Picture: 194.68.03-1

Material-assembly-group-no: 1372.168.002



12 TX 2620 TD /  
CLUTCH RELEASE DEVICE



# Picture

Page 1 from 1

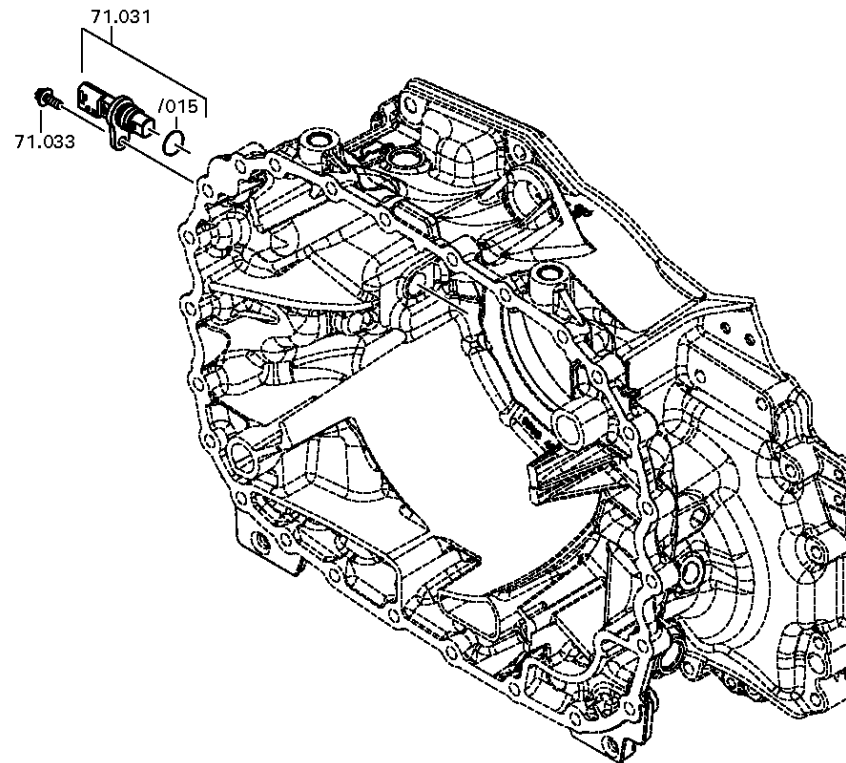
Material number: 1358.001.067

Picture: 194.71.01-1

Material-assembly-group-no: 1358.171.008



12 TX 2620 TD /  
CONNECTION



# Picture

Page 1 from 1

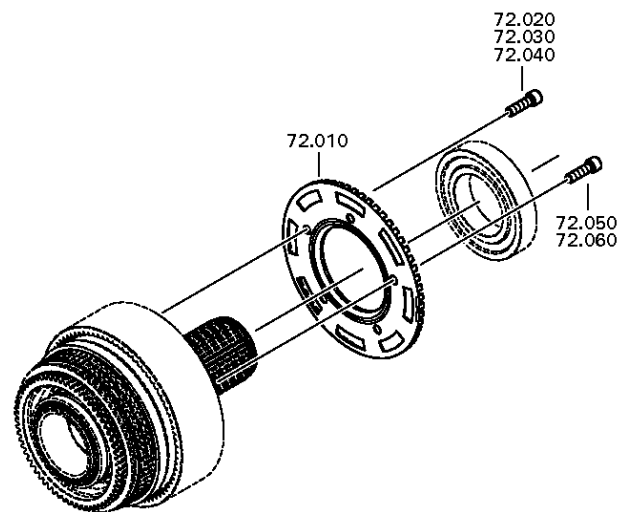
Material number: 1358.001.067

Picture: 194.72.02-1

Material-assembly-group-no: 1358.172.004



12 TX 2620 TD /  
IMPULSRAD



# Picture

Page 1 from 1

Material number: 1358.001.067

Picture: 194.R0.03-1

Material-assembly-group-no: 1358.298.001



12 TX 2620 TD /  
REPAIR KIT

