



# Spare Parts Catalog

12 TX 2820 TO

Material number: 1358.004.003

Current date: 08.01.2021

ZF Friedrichshafen AG  
Hauptverwaltung  
80038 Friedrichshafen  
Deutschland

Telefon: +49 7541 77-0

Telefax: +49 7541 77-908000

[www.zf.com](http://www.zf.com)

zuständiges Werk:  
Friedrichshafen

# Notes relating to the spare parts catalog

## Setup of the spare parts catalog

- Cover sheet
- Technical Cover (only in SDM print)
- Overview of figures
- Figure
- Associated parts list
- Next figure
- Associated parts list
- ...

## Figure and parts list



## Overview of figures

Bildtafel Figure	Sachnummer Product number	Benennung (Description)	Technische Info Technical info	Description (Benennung)	Menge Quantity	Einheit Unit
068.08.17	1316.170.001	AUSLEGER	WL	SHIFT TURRET	1	Stk
068.08.06	1316.170.031	DECKEL	WL*H-H *VM	COVER	1	Stk
068.08.14	1316.170.808	DECKEL	WL*AUSL+GEH*H-H*HF160N	COVER	1	Stk
08	1316.170.441	ANSCHLUSSTEILE	WL*NG-VORB*RG-SCHL*168N *BAJONETT	CONNECTING PARTS	1	Stk

The "gap" indicates that there is no separate graphics panel (poster) for this assembly  
The parts of this assembly are shown with the same mid-section number on the figure

### 1 Positions and subpositions

Pos.	Sachnummer Product number	Benennung (Description)	Technische Info Technical info	Description (Benennung)	Menge Quantity	Einheit Unit
0370	1315.201.054	RUECKLAUFBOLZEN	KPL.16S151*SG*L= 79	REV.IDLER SHAFT	1	Stk
/0120	0631.329.293	SPANNSTIFT		SLOT. PIN	1	Stk

Positions marked with "/" are the individual items of a completion  
For example: Position 0370 contains a centering pin with the position /0120

### 2 Combinations with standardized parts

Pos.	Sachnummer Product number	Benennung (Description)	Technische Info Technical info	Description (Benennung)	Menge Quantity	Einheit Unit
0630		VERSCHL.SCHR.		SCREW PLUG	1	Stk
	0636.302.067	VERSCHL.SCHR.		SCREW PLUG	1	Stk
	0634.801.249	DICHTRING	A 26 X 31	SEALING RING	1	Stk

The parts list shows the components included in the combination of standardized parts

### 3 Depiction of position/item number on the figure and in the parts list

01.620 - on the figure      01 relates to the assembly in which the position is included. Due to program-related reasons, it is shown on the figure.

0620 - in the parts list

Pos.	Sachnummer Product number	Benennung (Description)	Technische Info Technical info	Description (Benennung)	Menge Quantity	Einheit Unit
0620	0732.040.736	DRUCKFEDER		COMPRESSION SPRING	1	Stk

### 4 \*-Positions

Positions marked with an \* are optional i.e. inclusion in the parts list is not mandatory.  
The following note is shown on the figure

je nach Stücklistenausführung  
depending on spec. number  
\*  
suivant la nomenclature  
secondo la distinta base

### 5 Parts, dotted display

Parts with dotted display on the figure are only used for orientation of other parts

# Technical Cover

Page 1 from 3



Material number: 1358.004.003

12 TX 2820 TO /

Pos.	Information	Amendment number
001	Use case -----	
002	Customer MAN	
003	City NN	
004	DUNS	
005	Classification use case -----	
006	APPROVAL NOTE 1 ERSTEINBAU*UEBERPRUEFUNG ERFORDERLICH	
009	Product description -----	
010	PRODUCT FAMILY TRAXON	
011	CO2-FAMILY 002.00	
012	CO2-CERTIFICATE 00G 0080	
013	E1 CERTIFICATE	
014	COMPANY NAME ON TYPE PLATE ZF-CUSTOMER	
015	TRANSMISSION ATTACHMENT FLANGE-MOUNTED	
016	LENGTH OF GEARBOX 910.000 mm	
017	DESIGN, SEPARATING CLUTCH AUTOMATED DOG CLUTCH SHIFT	
018	COLOR JET BLACK	
019	PAINTING, ZF STANDARD 915	
020	CHECK INFO NG GESCHALTET NACH FUNKTIONSL.	
021	CLEANNES SPECIFICATION ZFN 5015	
022	DESIGN GEARING AT AN ANGLE	
023	TRANSMISSION VARIANT WITHOUT INTARDER	
024	ATTACHED AGRREGATES 1 WITHOUT GROOVE	
025	CODING OUTER CONSERVATION KA1	
026	OIL CAPACITY, GEARBOX 13.500 dm3	
027	OIL GRADE PERMISSIBLE ACC. TO TE-ML02	
028	ATTACHM.VAR,EMERG.STRG PUMP WITHOUT GROOVE	
029	DESIGN EMERGENCY STEERING PUMP WITHOUT	
030	POSITION STEERING PUMP WITHOUT	
031	ATTACHMENT VARIANT PTO WITHOUT	
032	DESIGN PTO WITHOUT	
033	POSITION PTO WITHOUT	
034	TYPE OF SHIFT CONTROL PTO WITHOUT	
035	POSITION SWITCH PTO WITHOUT	

# Technical Cover

Page 2 from 3



Material number: 1358.004.003

12 TX 2820 TO /

Pos.	Information	Amendment number
036	NUMBER OF OUTPUT LOCATION PTO 0	
037	VALVE BLOCK, HEAT EXCHANGER WITHOUT	
038	HEAT EXCHANGER GEARBOX WITHOUT	
039	HEAT EXCHANGER INTARDER WITHOUT	
040	ATTACHM.POS.HEAT EXCHANGER WITHOUT GROOVE	
041	OIL FILL VARIANT EX WORKS	
042	NUMBER OF GEARS 12	
043	RATIO, BOTTOM GEAR 12.924	
044	RATIO, TOP GEAR 0.772	
045	RATIO, 1ST GEAR 12.924	
046	RATIO, 2ND GEAR 9.982	
047	RATIO, 3RD GEAR 7.688	
048	RATIO, 4TH GEAR 5.938	
049	RATIO, 5TH GEAR 4.565	
050	RATIO, 6TH GEAR 3.526	
051	RATIO, 7TH GEAR 2.831	
052	RATIO, 8TH GEAR 2.187	
053	RATIO, 9TH GEAR 1.684	
054	RATIO, 10TH GEAR 1.301	
055	RATIO, 11TH GEAR 1.000	
056	RATIO, 12TH GEAR 0.772	
057	RATIO REVERSE GEAR STANDARD	
058	RATIO, 1ST GEAR REVERSE 12.033	
059	RATIO, 2ND GEAR REVERSE 9.293	
060	SET OF RATIOS OD	
061	SETUP GEARBOX TYP 12.2	
062	VARIANTE SYSTEM MATRIX 12TXTO	
063	DESIGN,CONN., CLUTCH HOUSING SAE 1	
064	CENTR.DIA,HSG/ENGINE CONNECT. 511.175 mm	
065	NUMBER OF BORES,ENGINE CONN. 12	
066	BORE DIA, ENGINE CONNECTION 12.500 mm	
067	MEASURE BELL HOUSING SCREWING 50.000 mm	
068	LENGTH, HOUSING1+BEARING BRACKET 605.250 mm	



Material number: 1358.004.003

12 TX 2820 TO /

Pos.	Information	Amendment number
069	MEASURE BELL HOUSING TO OIL-CHARGE 460.000 mm	
070	MEASURE BELL HOUSING TO OIL DRAIN 745.900 mm	
071	DIM. HOUSING TO AX.WASH OP.FL 292.200 mm	
072	DESIGN, OUTPUT FLANGE CROSS-SERRATED	
073	REFERENCE LENGTH,OUTPUT FLANGE 109.500 mm	
074	OUTSIDE DIA., OUTPUT FLANGE 180.000 mm	
075	SURFACE TREATED OUTPUT FLANGE CORROSION PROTECTION	
076	NUMBER OF OUTPUT FLANGE BORES 4	
077	OUTPUT FLANGE BOLT WITHOUT	
078	DIMENSION OUTPUT FLANGE SCREW WITHOUT	
079	STANDARD	
080	CONACT EXTENDED 8	
081	CONACT EXTENDED -30	
082	PULSE SENSOR TRANSMISSION WITH	
083	PROT.CAP PULSE SENSOR GEARBOX WITHOUT	
084	PULSE RATE PULSE SENS GEARBOX 57.000 IMP/U	
085	TACHO PULSE SENSOR WITHOUT	
086	PROTECTING CAP SPEEDO PULSE SENSOR WITHOUT	
087	PULSE RATE, SPEEDO 8.000 IMP/U	
088	DESIG,CONN,SPEEDO PULSE SENSOR WITHOUT	
089	DESIGN, SPEEDO PULSE SENSOR WITHOUT GROOVE	
090	REFERENCE LENGTH INPUT SHAFT 116.500 mm	
091	STANDARD TYPE INPUT SHAFT SAE	
092	DIAMETER, JOURNAL, INPUT SHAFT 25.000 mm	
093	LENGTH, INPUT SHAFT JOURNAL 32.400 mm	
100	Alias ID -----	
101	MAN 81.32004-6410	

# Assembly group overview

Page 1 from 2



Material number: 1358.004.003

12 TX 2820 TO /

Picture	Pos.	Material number	Name	Quantity	Amend. no.	Techn. Info.
194.F5.01-1	990	6070.106.800	SOFTWARE	1		
194.01.31-1	10	1370.101.003	TYPE PLATE	1		
194.01.53-1	210	1358.170.015	RATIO	1		
194.01.02-1	301	1358.101.010	CLUTCH HOUSING	1		
194.02.01-1	10	1358.102.009	INPUT SHAFT	1		
194.02.40-1	30	1358.102.010	CONNECTION PLATE	1		
194.02.80-1	40	1358.102.802	CONNECTION PLATE	1		
194.02.20-1	311	1370.302.412	INPUT SHAFT	1		
194.03.20-1	21	1358.203.221	COUNTERSHAFT	1		
194.03.01-1	30	1372.103.001	COUNTERSHAFT	1		
194.03.40-1	31	1358.203.238	COUNTERSHAFT	1		
194.04.20-1	11	1358.304.010	HELICAL GEAR	1		
194.04.01-1	20	1358.104.004	MAIN SHAFT	1		
194.05.20-1	41	1358.305.207	HELICAL GEAR	1		
194.05.20-1	51	1358.305.207	HELICAL GEAR	1		
194.05.01-1	70	1370.105.001	RETURN	1		
194.06.03-1	80	1358.106.003	TRANSMISSION SHIFT SYSTEM	1		
194.07.02-1	60	1358.107.004	BRAKE	1		
194.08.01-1	50	1358.108.002	PUMP	1		
194.10.01-1	140	1358.110.002	OIL SUPPLY	1		
194.012.004-1	90	1358.112.005	GEARSHIFT SYST. GV	1		
194.27.02-1	260	1358.127.003	CONTROL UNIT	1		
194.27.80-1	270	1358.127.800	CONTROL UNIT	1		
194.31.02-1	10	1358.131.010	HOUSING GP	1		
194.31.40-1	12	1358.131.402	OUTPUT COVER	1		
194.31.80-1	230	1358.131.801	HOUSING GP	1		
194.31.51-1	341	0768.406.235	SCREW PLUG	1		
194.31.20-1	800	1358.131.007	ADAPTER	1		
194.032.002-1	10	1358.132.004	PLANETARY DRIVE	1		
194.32.81-1	120	1358.132.801	SLEEVE	1		

# Assembly group overview

Page 2 from 2



Material number: 1358.004.003

12 TX 2820 TO /

Picture	Pos.	Material number	Name	Quantity	Amend. no.	Techn. Info.
194.33.01-1	20	1358.133.002	SYNCHRONIZER GP	1		
194.33.30-1	61	1358.333.503	PLATE	1		
194.034.001-1	110	1358.134.003	GEARSHIFT SYST. GP	1		
194.35.02-1	321	1358.135.007	OUTPUT	1		
194.47.80-1	400	1358.147.801	SCREW PLUG	1		
194.59.01-1	370	1358.159.001	PNEUMATIC CONNECTION	1		
194.68.03-1	360	1372.168.002	CLUTCH RELEASE DEVICE	1		
194.71.01-1	220	1358.171.008	CONNECTION	1		
194.72.02-1	20	1358.172.004	IMPULSRAD	1		

# Picture

Page 1 from 1

Material number: 1358.004.003

Picture: 194.F5.01-1

Material-assembly-group-no: 6070.106.800



12 TX 2820 TO /  
SOFTWARE





# Picture

Page 1 from 3

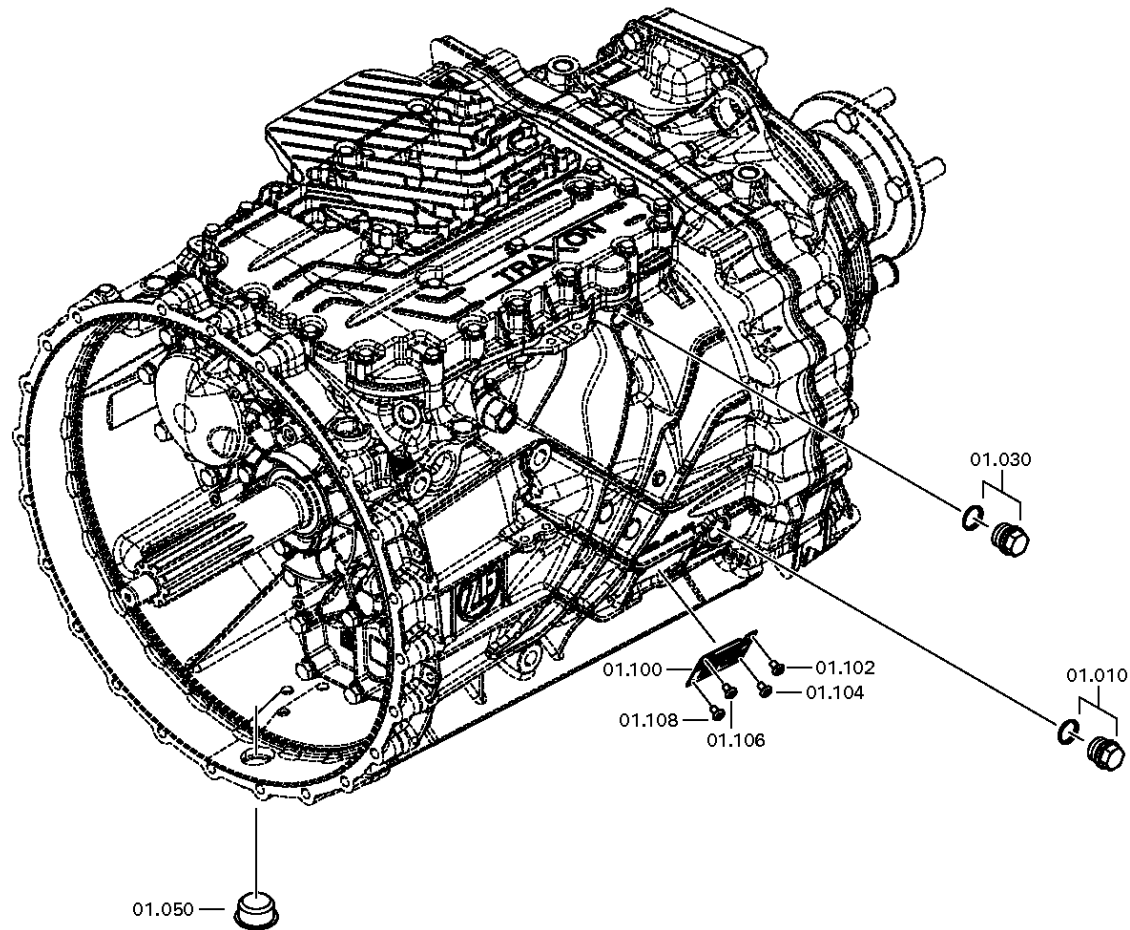
Material number: 1358.004.003

Picture: 194.01.31-1

TYPE PLATE



12 TX 2820 TO /  
TYPE PLATE



# Picture

Page 2 from 3

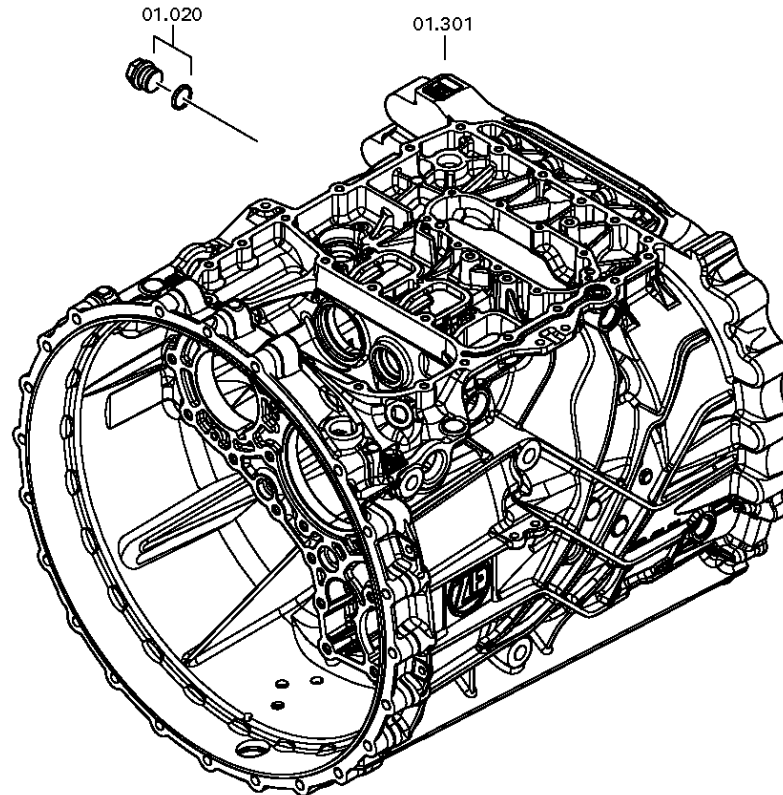
Material number: 1358.004.003

Picture: 194.01.02-1

TYPE PLATE



12 TX 2820 TO /  
TYPE PLATE



# Picture

Page 3 from 3

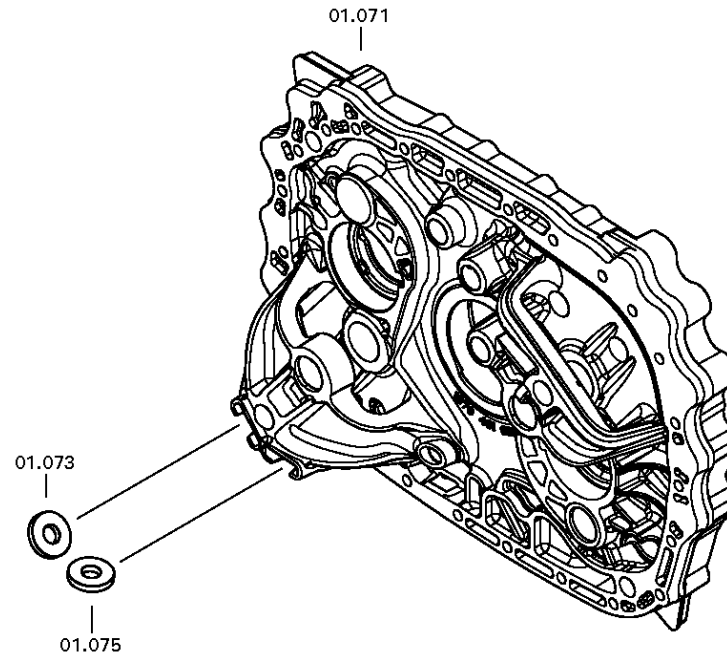
Material number: 1358.004.003

Picture: 194.01.53-1

TYPE PLATE



12 TX 2820 TO /  
TYPE PLATE





# Picture

Page 2 from 4

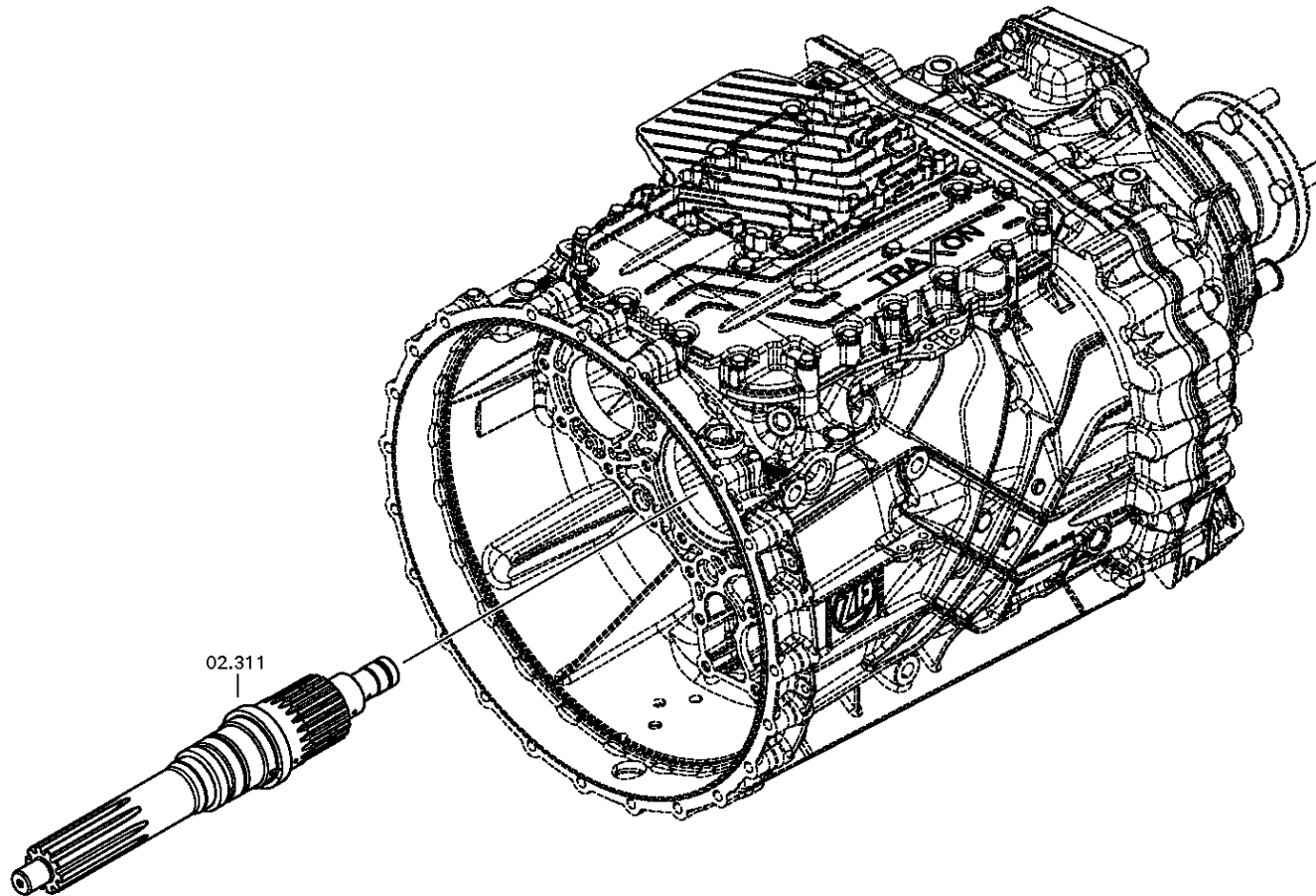
Material number: 1358.004.003

Picture: 194.02.20-1

INPUT SHAFT



12 TX 2820 TO /  
INPUT SHAFT



# Picture

Page 3 from 4

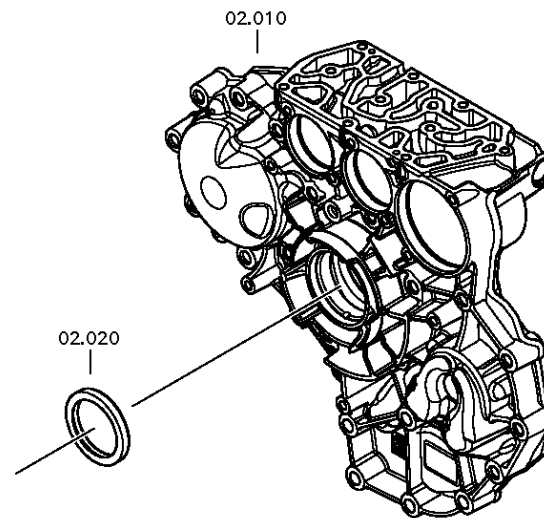
Material number: 1358.004.003

Picture: 194.02.40-1

INPUT SHAFT



12 TX 2820 TO /  
INPUT SHAFT



# Picture

Page 4 from 4

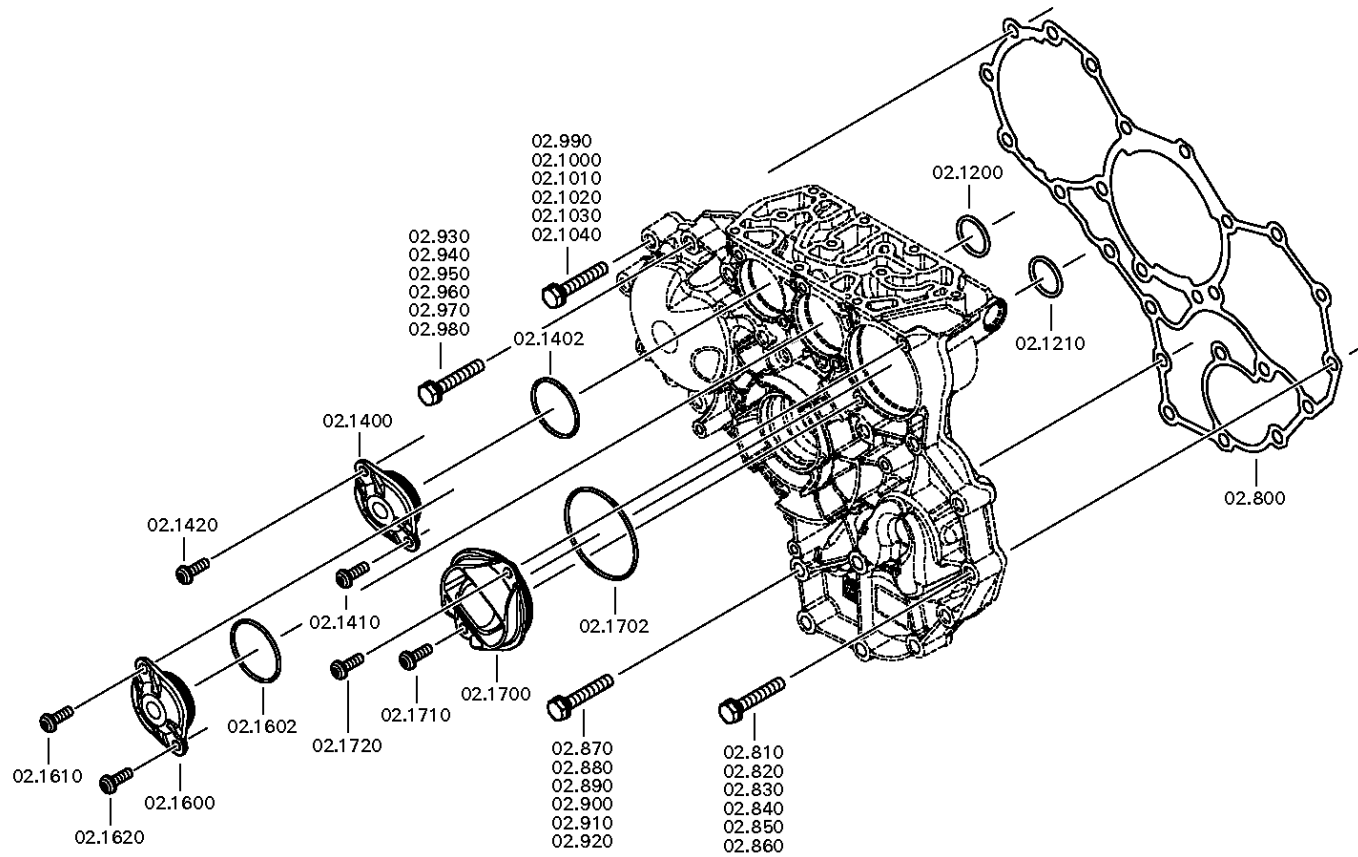
Material number: 1358.004.003

Picture: 194.02.80-1

INPUT SHAFT



12 TX 2820 TO /  
INPUT SHAFT



# Picture

Page 1 from 3

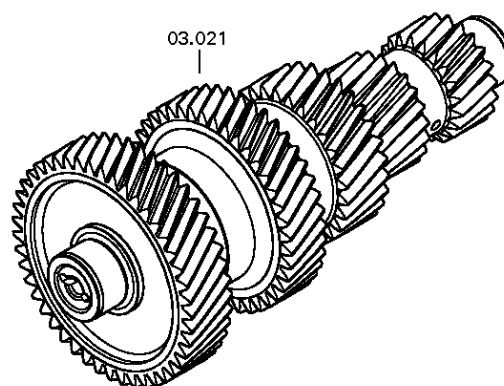
Material number: 1358.004.003

Picture: 194.03.20-1

COUNTERSHAFT



12 TX 2820 TO /  
COUNTERSHAFT





# Picture

Page 2 from 3

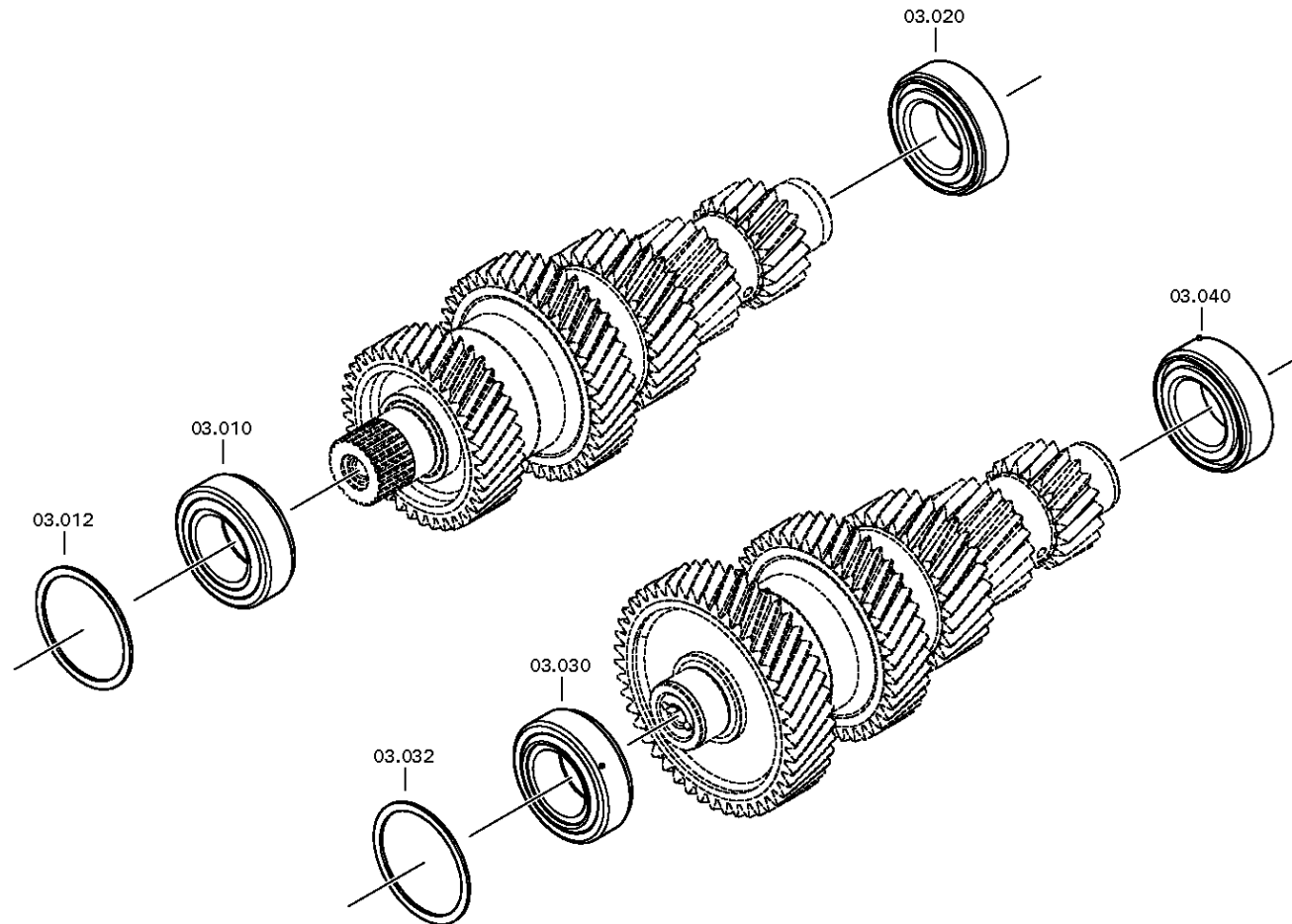
Material number: 1358.004.003

Picture: 194.03.01-1

COUNTERSHAFT



12 TX 2820 TO /  
COUNTERSHAFT



# Picture

Page 3 from 3

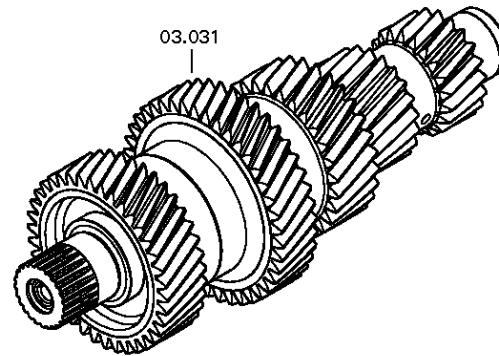
Material number: 1358.004.003

Picture: 194.03.40-1

COUNTERSHAFT



12 TX 2820 TO /  
COUNTERSHAFT



# Picture

Page 1 from 2

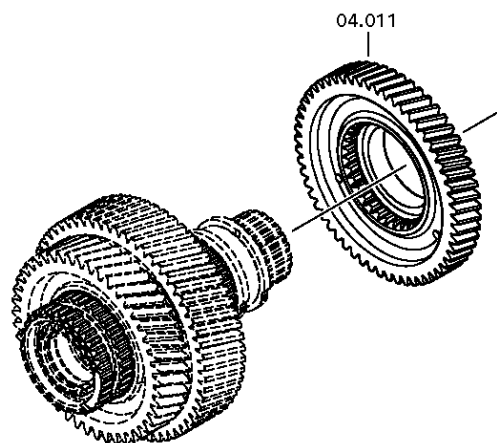
Material number: 1358.004.003

Picture: 194.04.20-1

HELICAL GEAR



12 TX 2820 TO /  
HELICAL GEAR



# Picture

Page 2 from 2

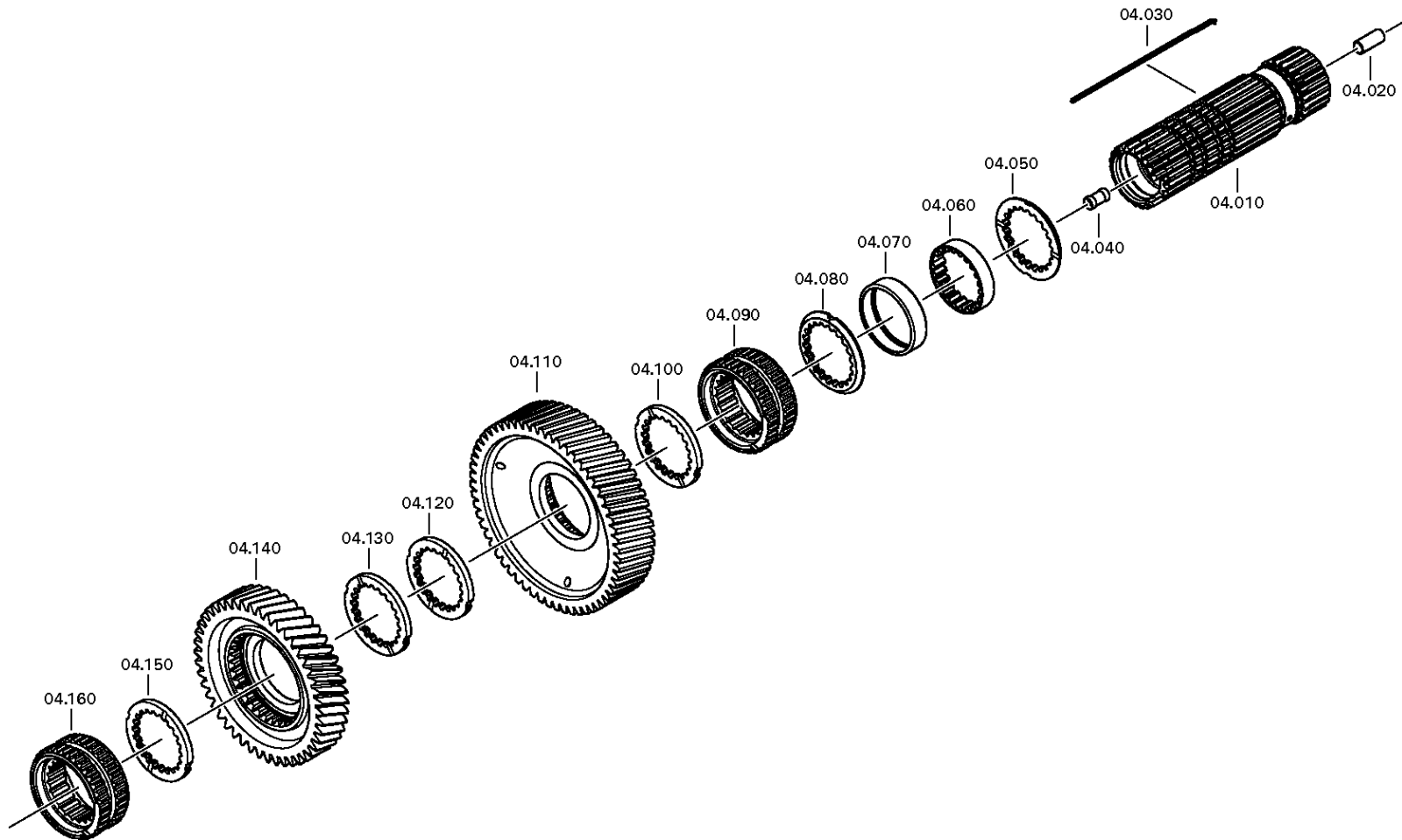
Material number: 1358.004.003

Picture: 194.04.01-1

HELICAL GEAR



12 TX 2820 TO /  
HELICAL GEAR



# Picture

Page 1 from 2

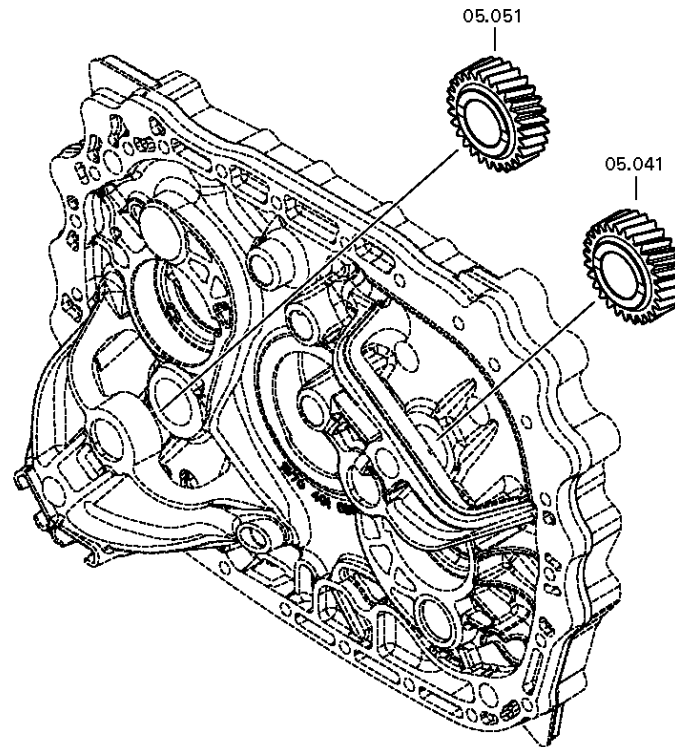
Material number: 1358.004.003

Picture: 194.05.20-1

HELICAL GEAR



12 TX 2820 TO /  
HELICAL GEAR



# Picture

Page 2 from 2

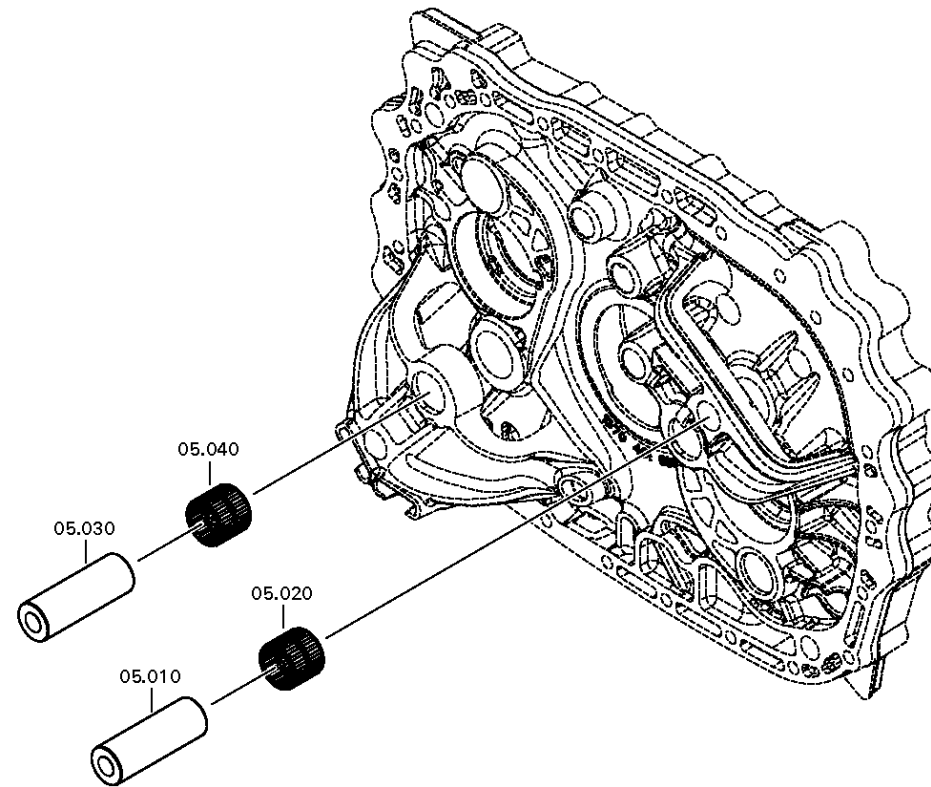
Material number: 1358.004.003

Picture: 194.05.01-1

HELICAL GEAR



12 TX 2820 TO /  
HELICAL GEAR



# Picture

Page 1 from 1

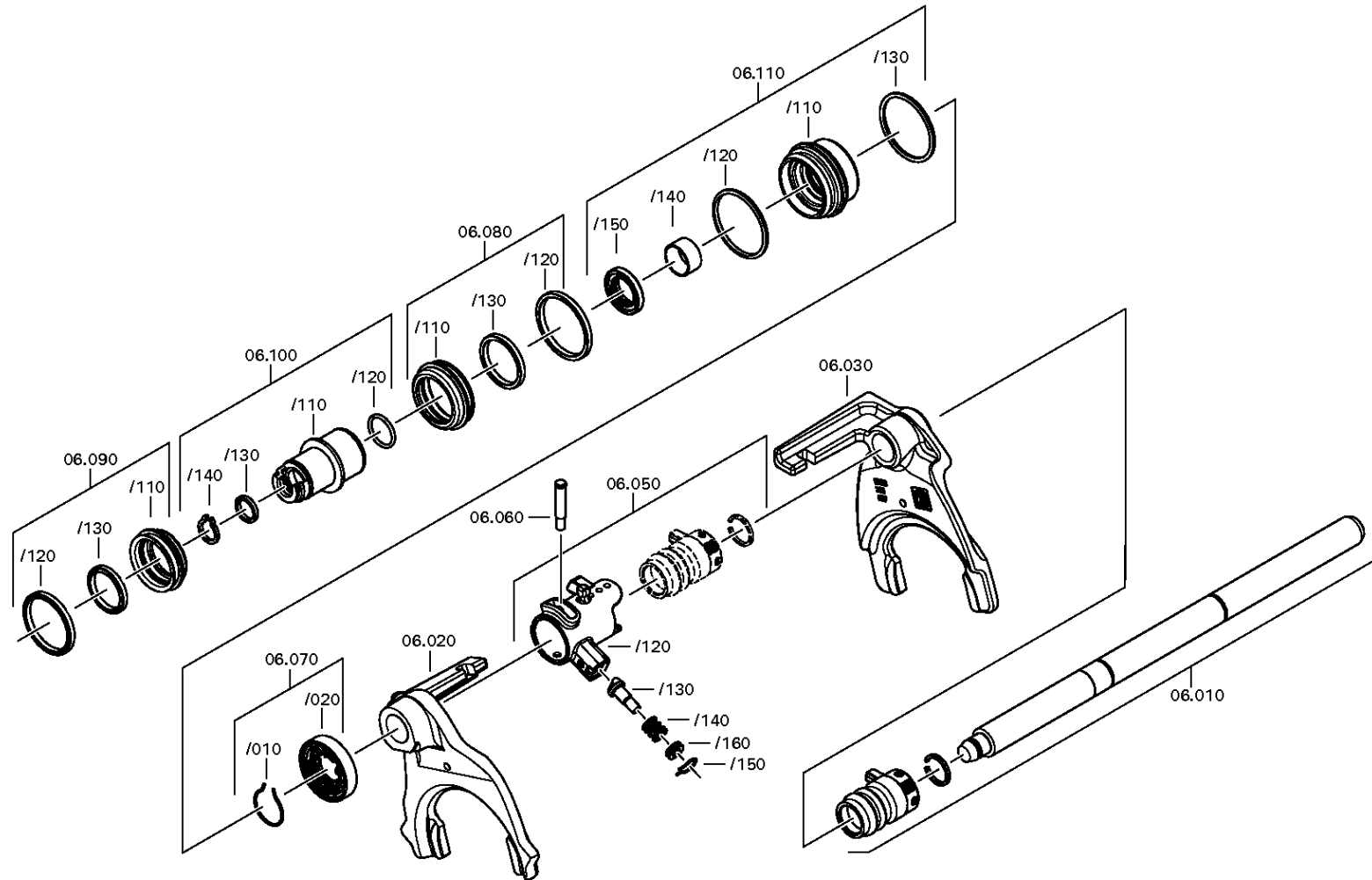
Material number: 1358.004.003

Picture: 194.06.03-1

Material-assembly-group-no: 1358.106.003



12 TX 2820 TO /  
TRANSMISSION SHIFT SYSTEM



# Picture

Page 1 from 1

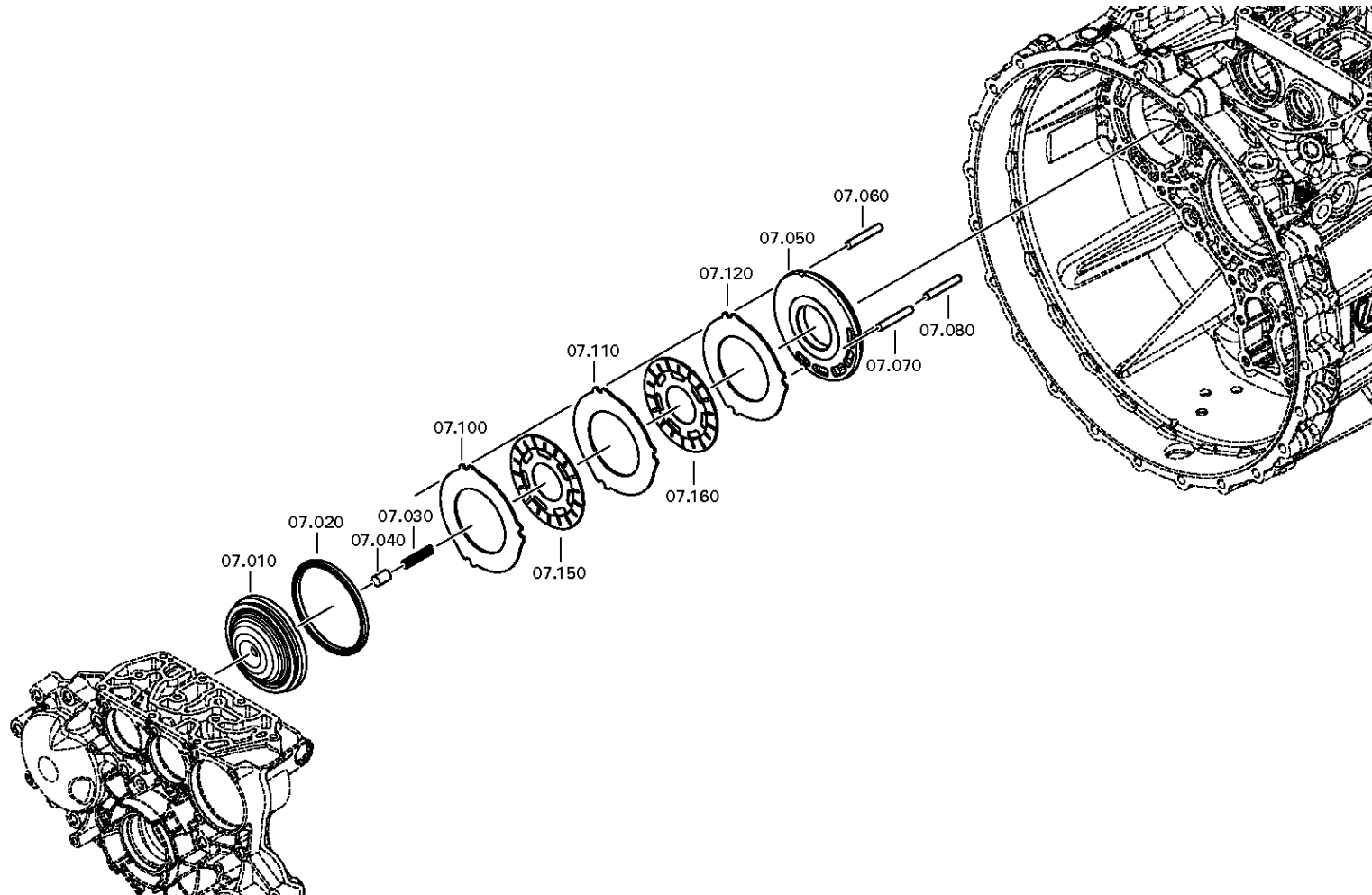
Material number: 1358.004.003

Picture: 194.07.02-1

Material-assembly-group-no: 1358.107.004



12 TX 2820 TO /  
BRAKE





# Picture

Page 1 from 1

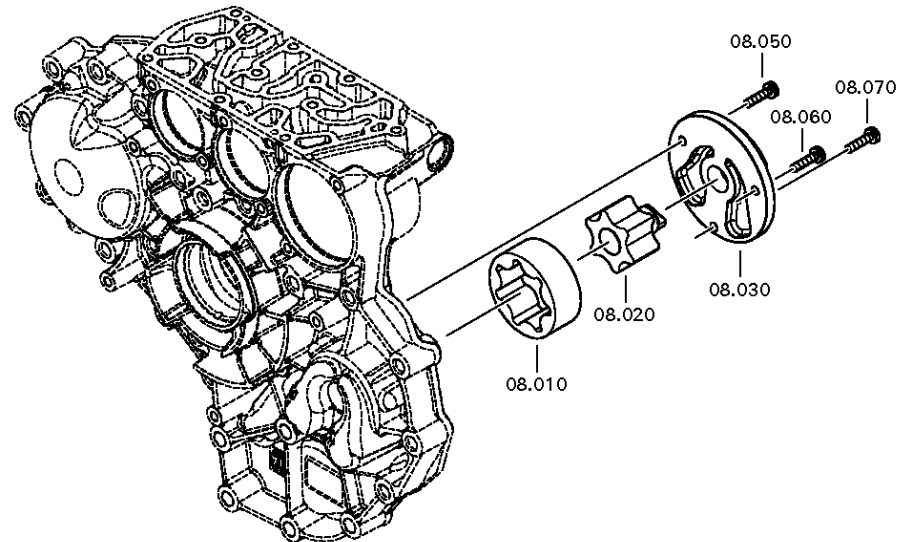
Material number: 1358.004.003

Picture: 194.08.01-1

Material-assembly-group-no: 1358.108.002



12 TX 2820 TO /  
PUMP



# Picture

Page 1 from 1

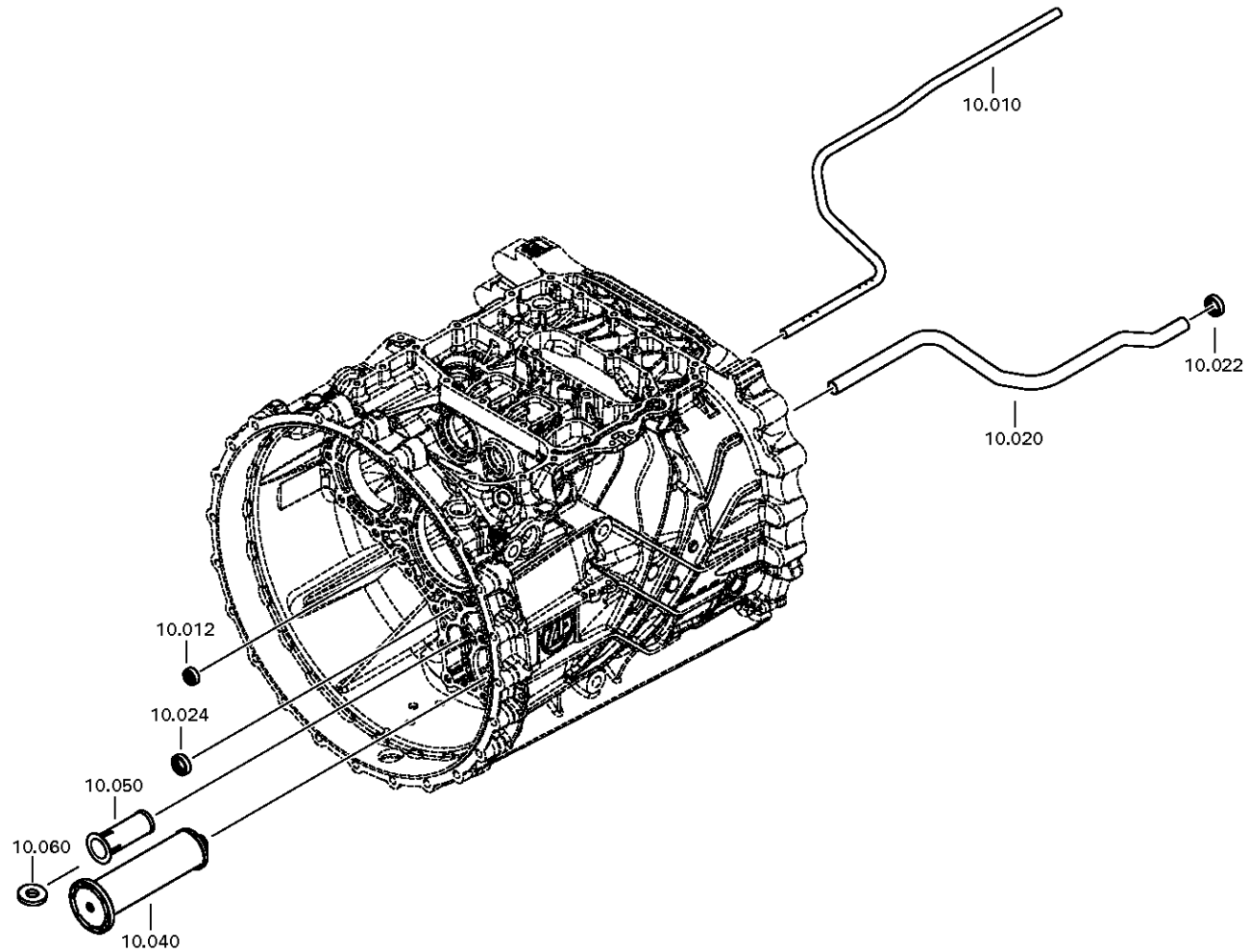
Material number: 1358.004.003

Picture: 194.10.01-1

Material-assembly-group-no: 1358.110.002



12 TX 2820 TO /  
OIL SUPPLY



# Picture

Page 1 from 1

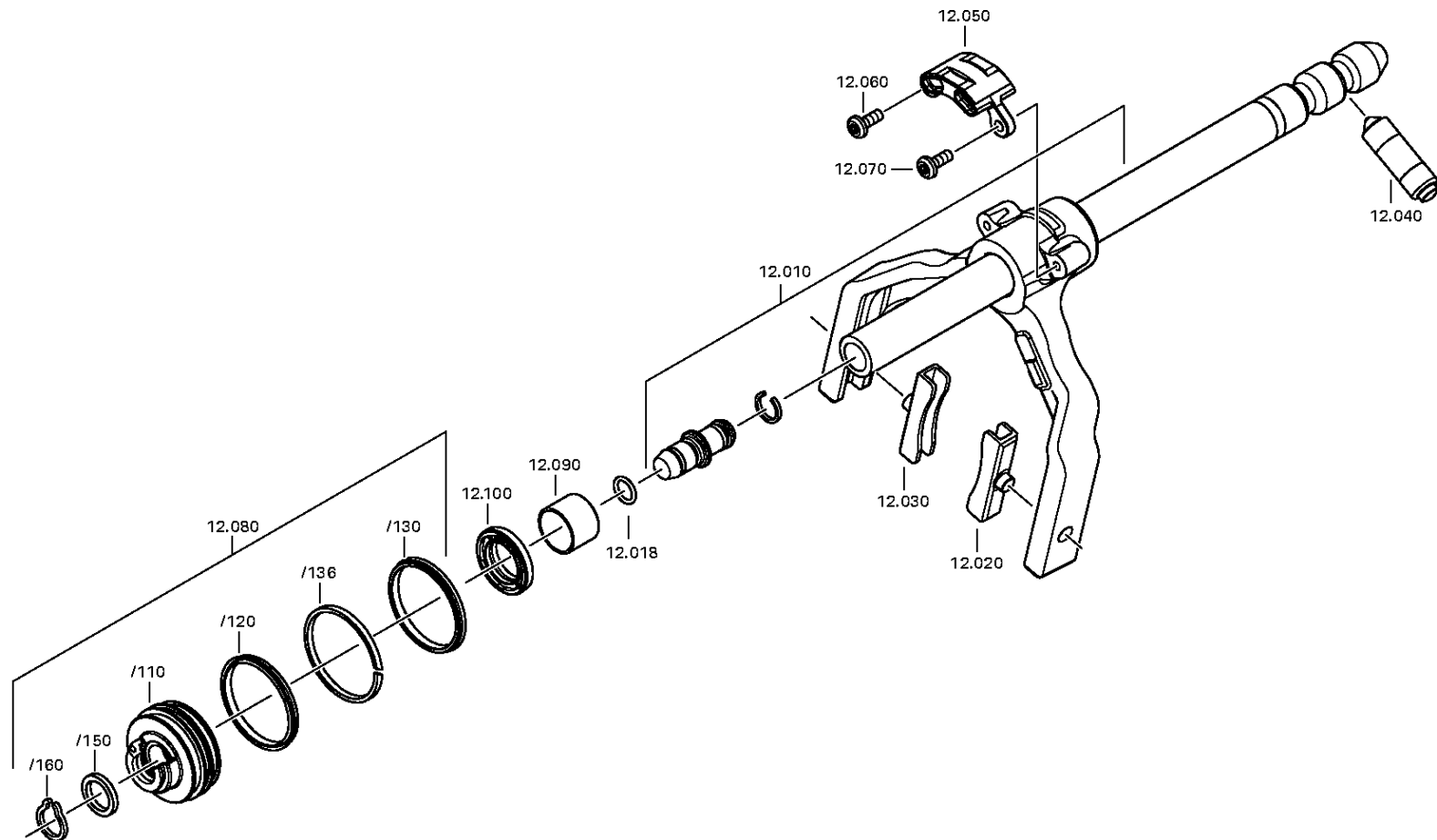
Material number: 1358.004.003

Picture: 194.012.004-1

Material-assembly-group-no: 1358.112.005



12 TX 2820 TO /  
GEARSHIFT SYST. GV



# Picture

Page 1 from 3

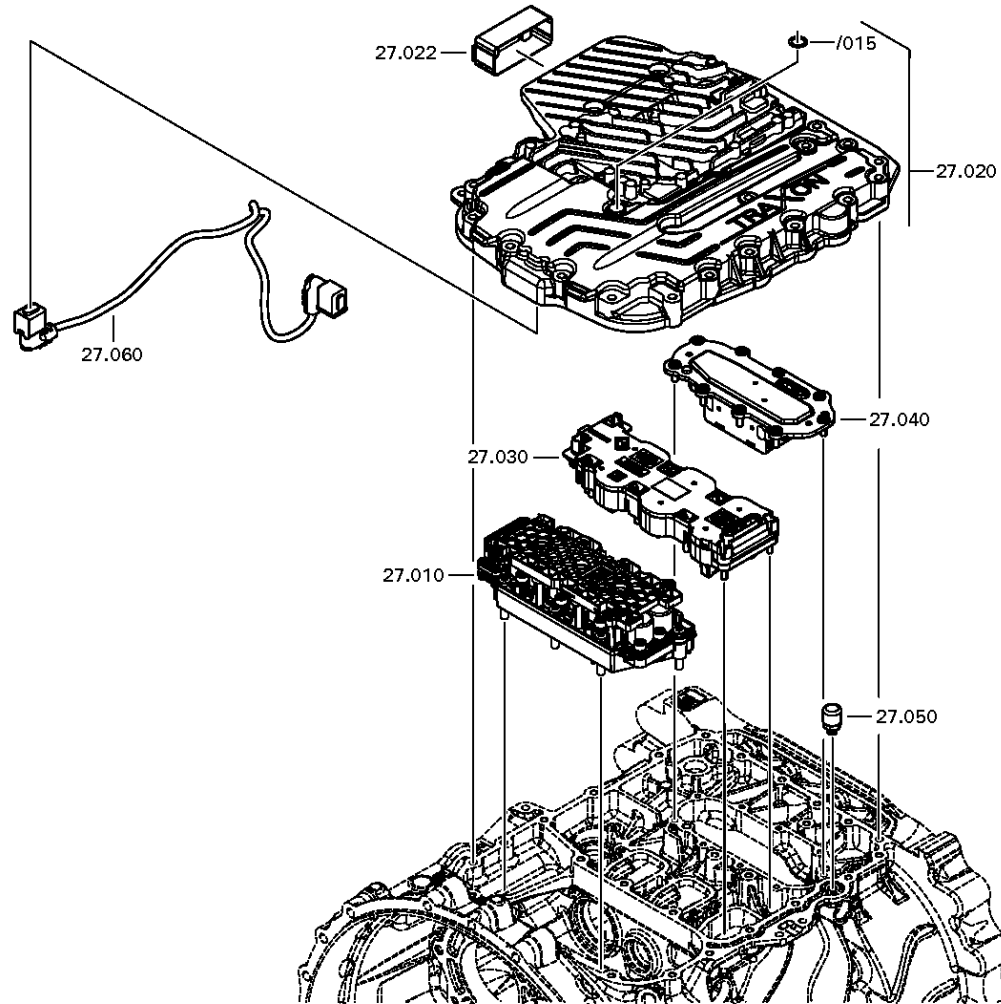
Material number: 1358.004.003

Picture: 194.27.02-1

CONTROL UNIT



12 TX 2820 TO /  
CONTROL UNIT



# Picture

Page 2 from 3

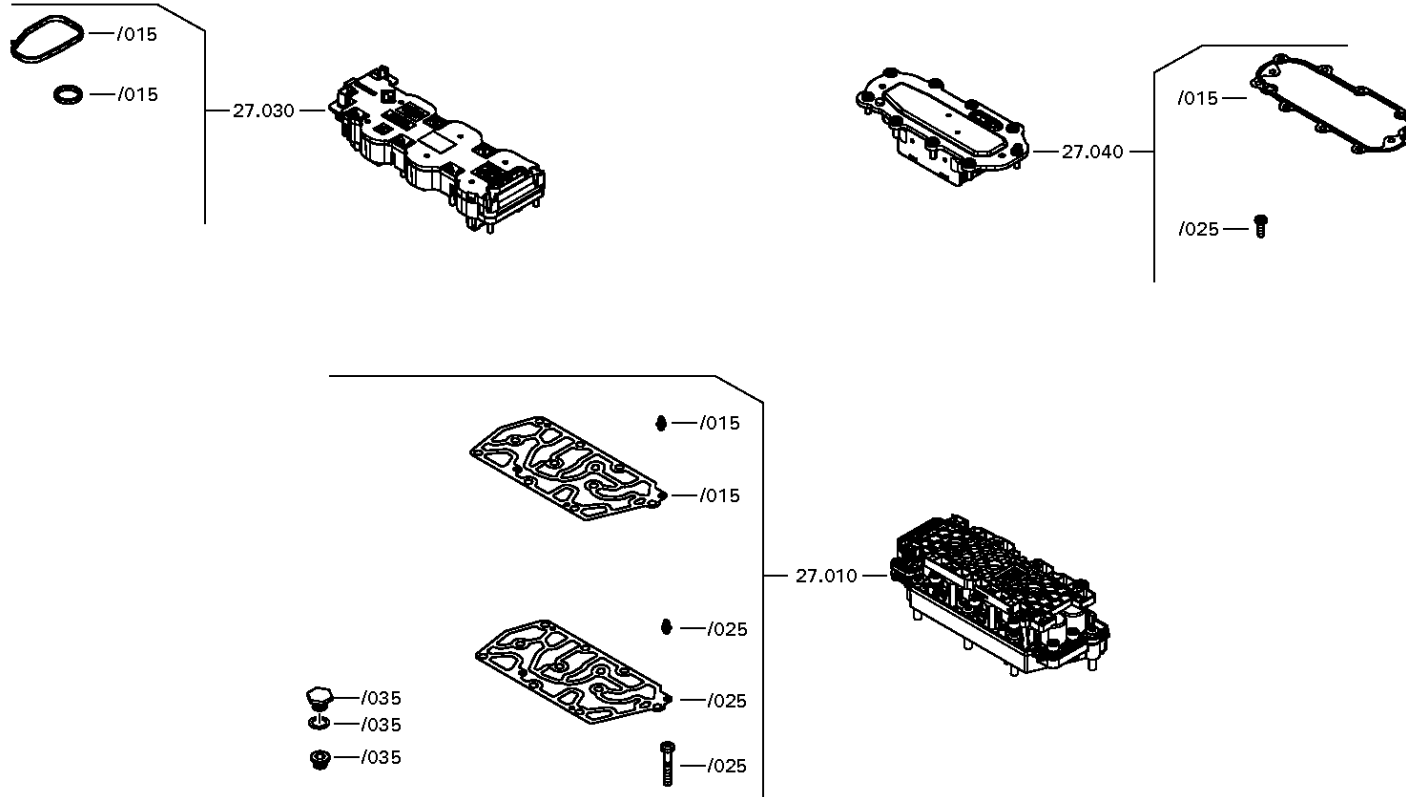
Material number: 1358.004.003

Picture: 194.27.02-2

CONTROL UNIT



12 TX 2820 TO /  
CONTROL UNIT



# Picture

Page 3 from 3

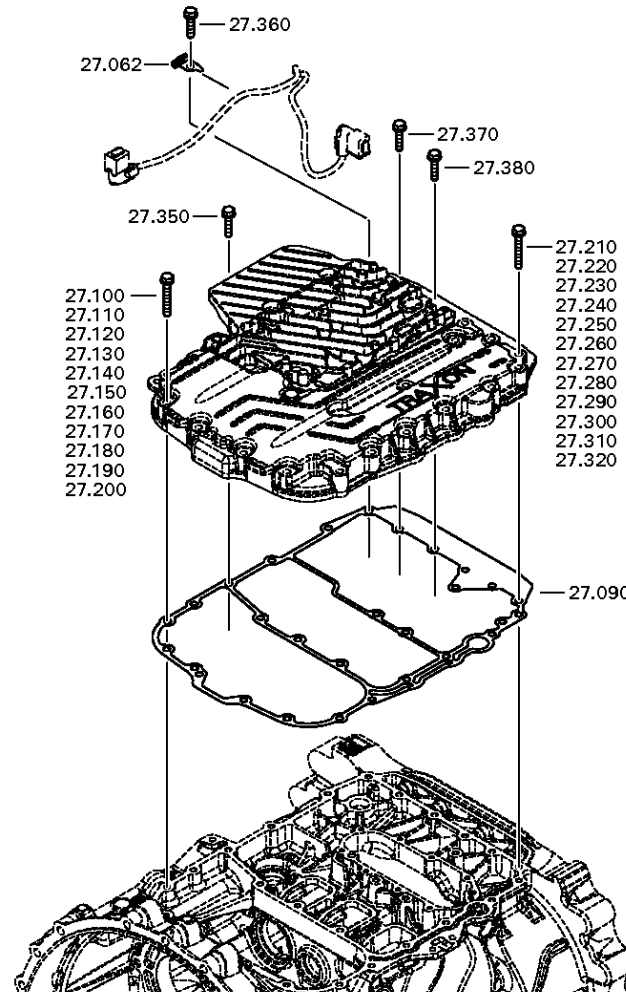
Material number: 1358.004.003

Picture: 194.27.80-1

CONTROL UNIT



12 TX 2820 TO /  
CONTROL UNIT



# Picture

Page 1 from 5

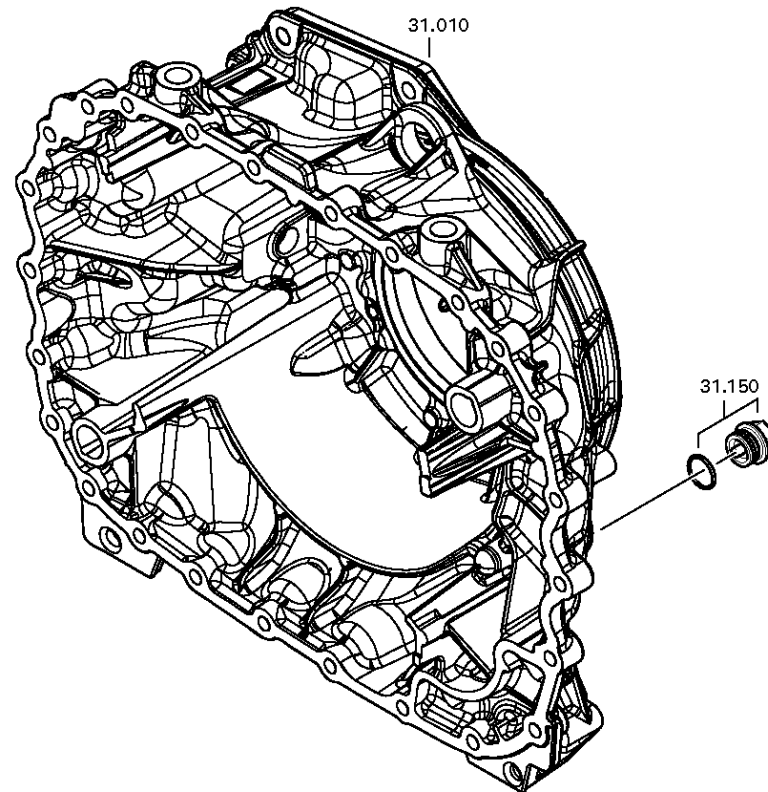
Material number: 1358.004.003

Picture: 194.31.02-1

HOUSING GP



12 TX 2820 TO /  
HOUSING GP



# Picture

Page 2 from 5

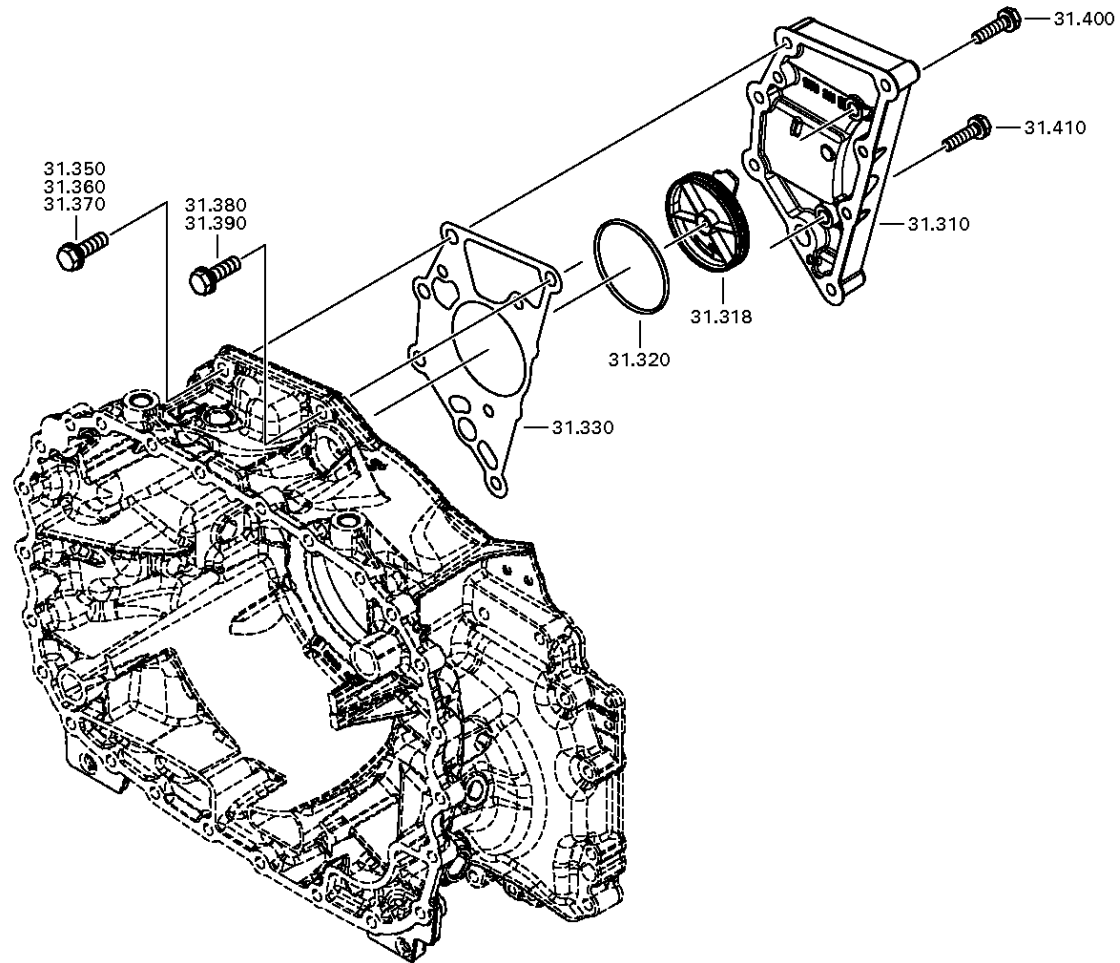
Material number: 1358.004.003

Picture: 194.31.20-1

HOUSING GP



12 TX 2820 TO /  
HOUSING GP





# Picture

Page 3 from 5

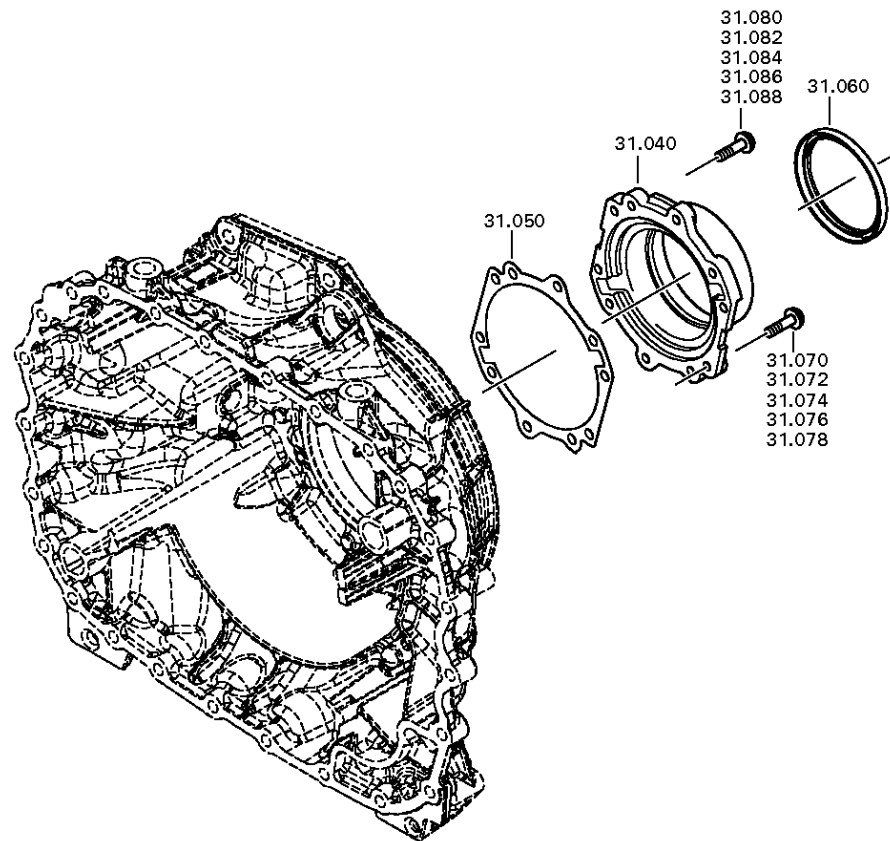
Material number: 1358.004.003

Picture: 194.31.40-1

HOUSING GP



12 TX 2820 TO /  
HOUSING GP



# Picture

Page 4 from 5

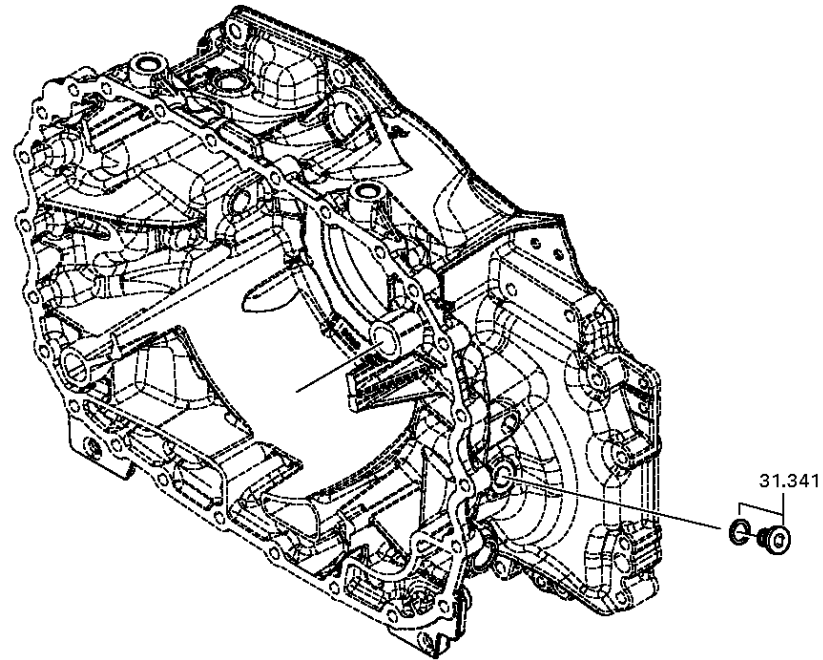
Material number: 1358.004.003

Picture: 194.31.51-1

HOUSING GP



12 TX 2820 TO /  
HOUSING GP



# Picture

Page 5 from 5

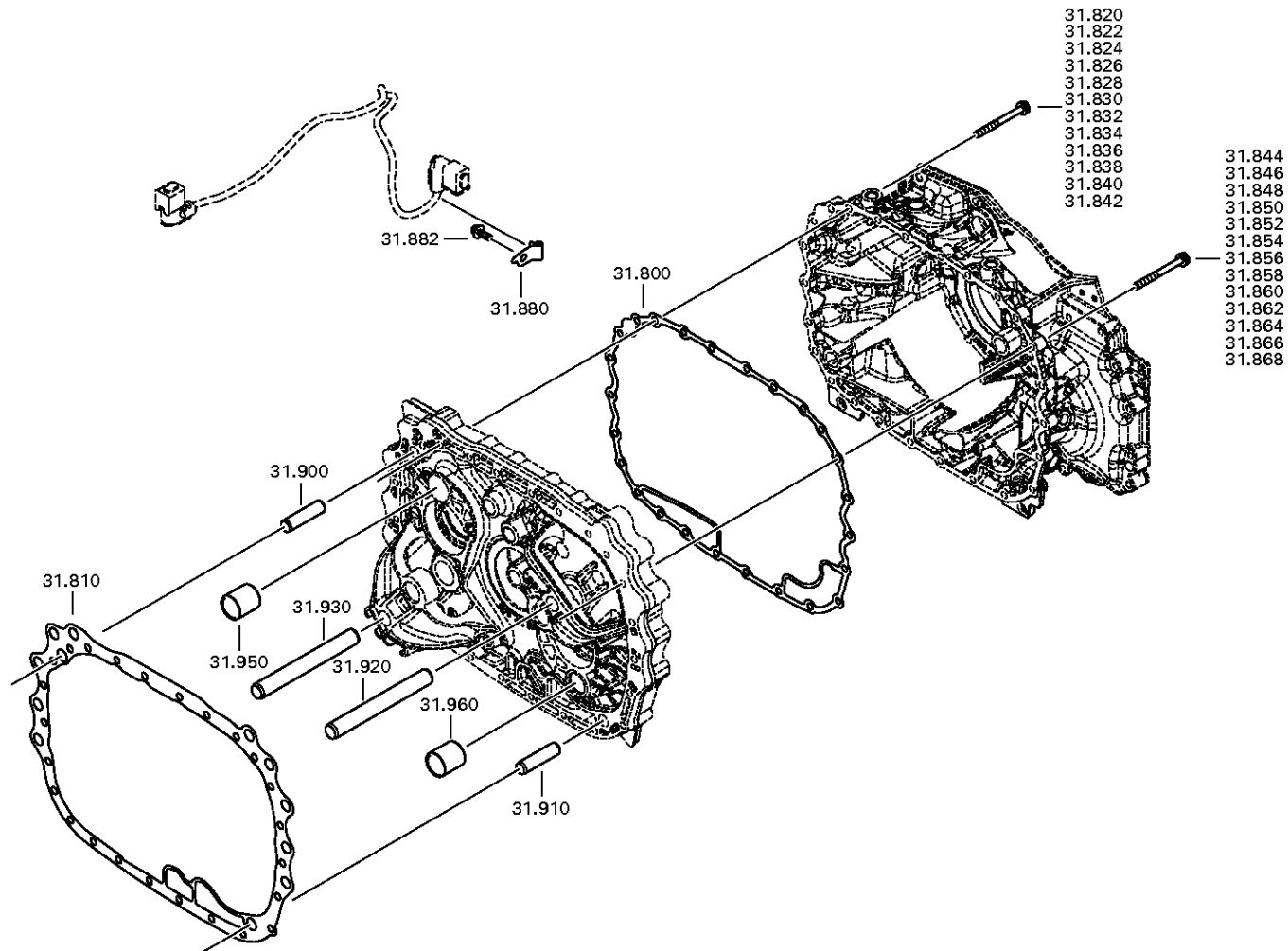
Material number: 1358.004.003

Picture: 194.31.80-1

HOUSING GP



12 TX 2820 TO /  
HOUSING GP





# Picture

Page 2 from 2

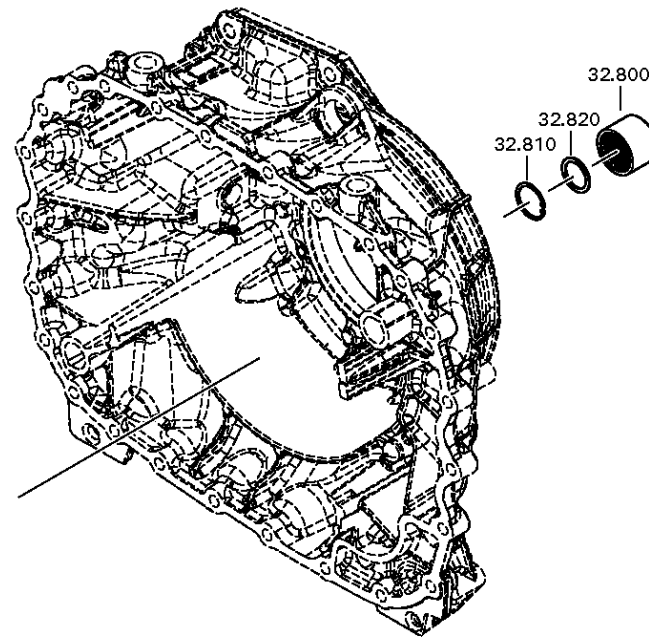
Material number: 1358.004.003

Picture: 194.32.81-1

PLANETARY DRIVE



12 TX 2820 TO /  
PLANETARY DRIVE



# Picture

Page 1 from 2

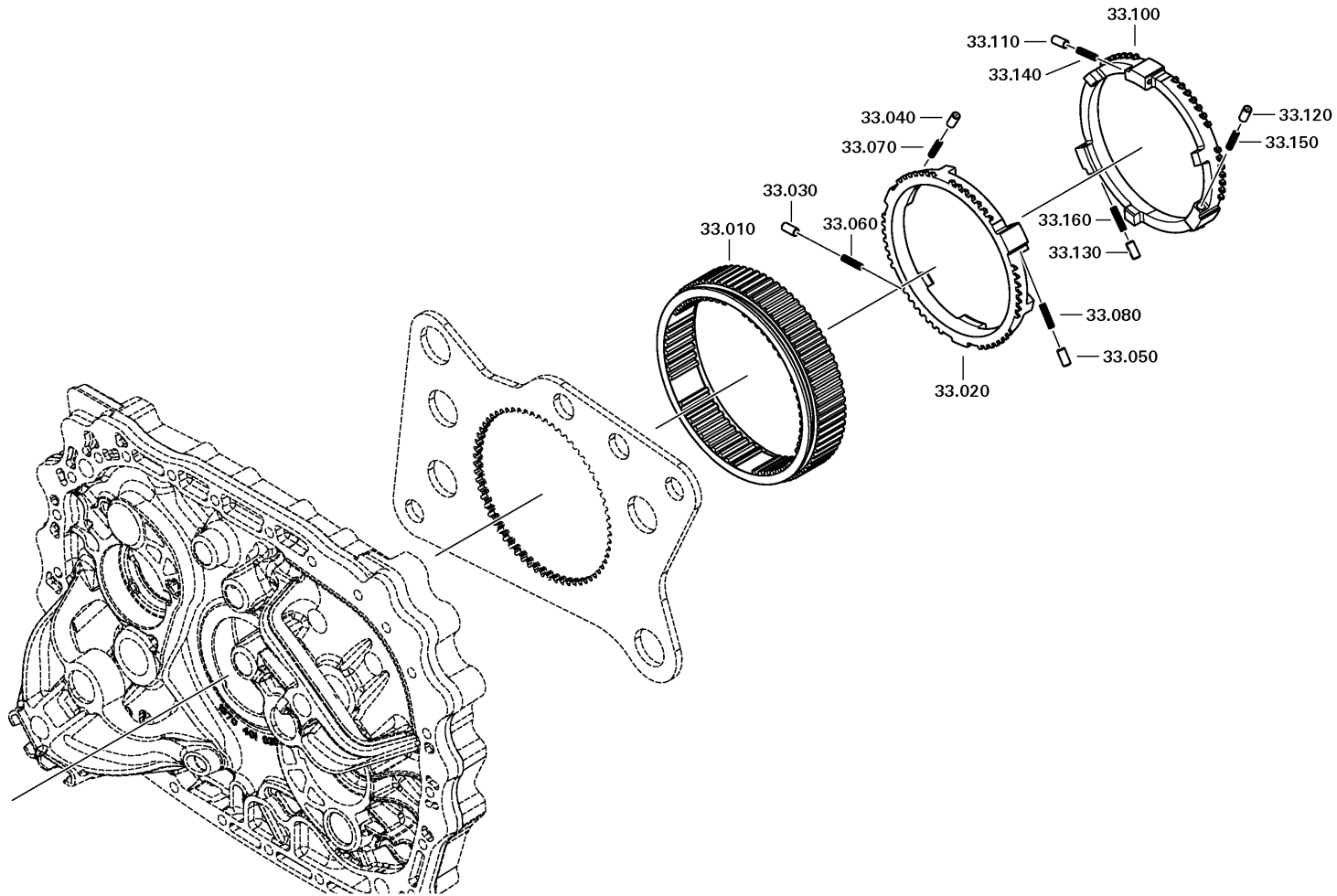
Material number: 1358.004.003

Picture: 194.33.01-1

SYNCHRONIZER GP



12 TX 2820 TO /  
SYNCHRONIZER GP



# Picture

Page 2 from 2

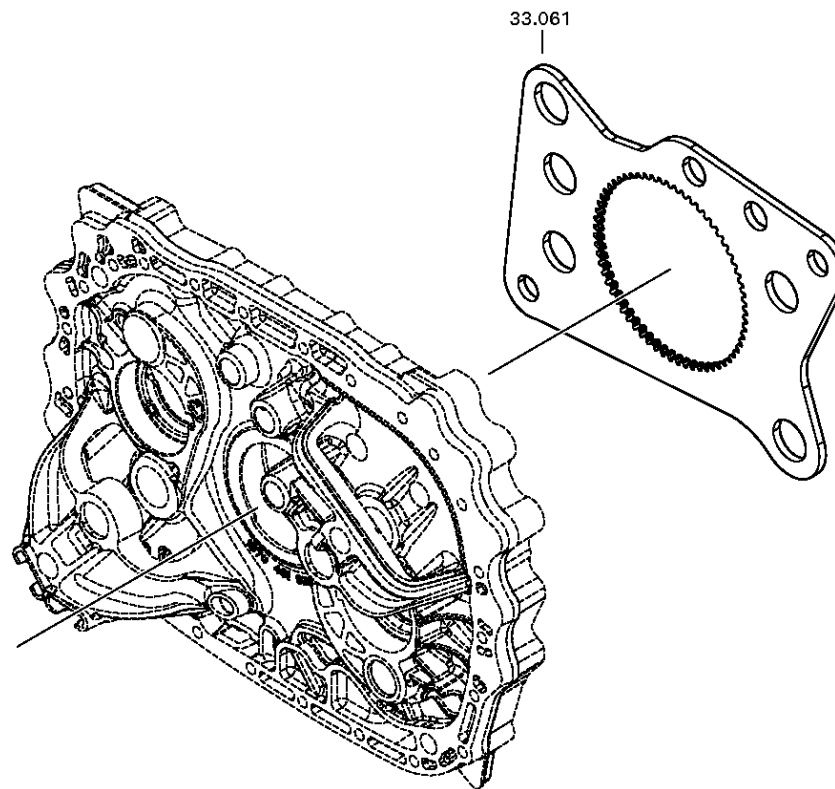
Material number: 1358.004.003

Picture: 194.33.30-1

SYNCHRONIZER GP



12 TX 2820 TO /  
SYNCHRONIZER GP



# Picture

Page 1 from 1

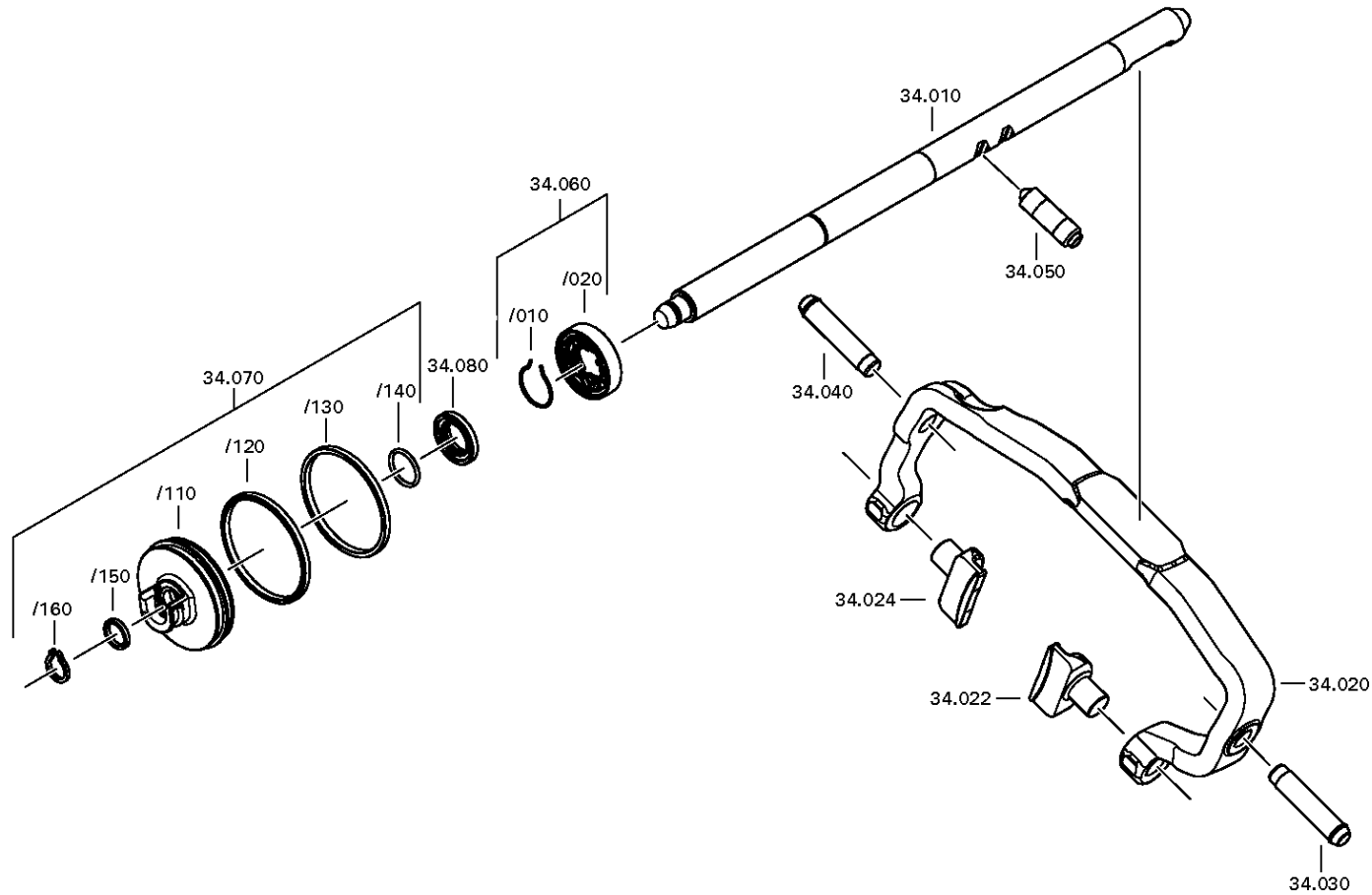
Material number: 1358.004.003

Picture: 194.034.001-1

Material-assembly-group-no: 1358.134.003



12 TX 2820 TO /  
GEARSHIFT SYST. GP





# Picture

Page 1 from 1

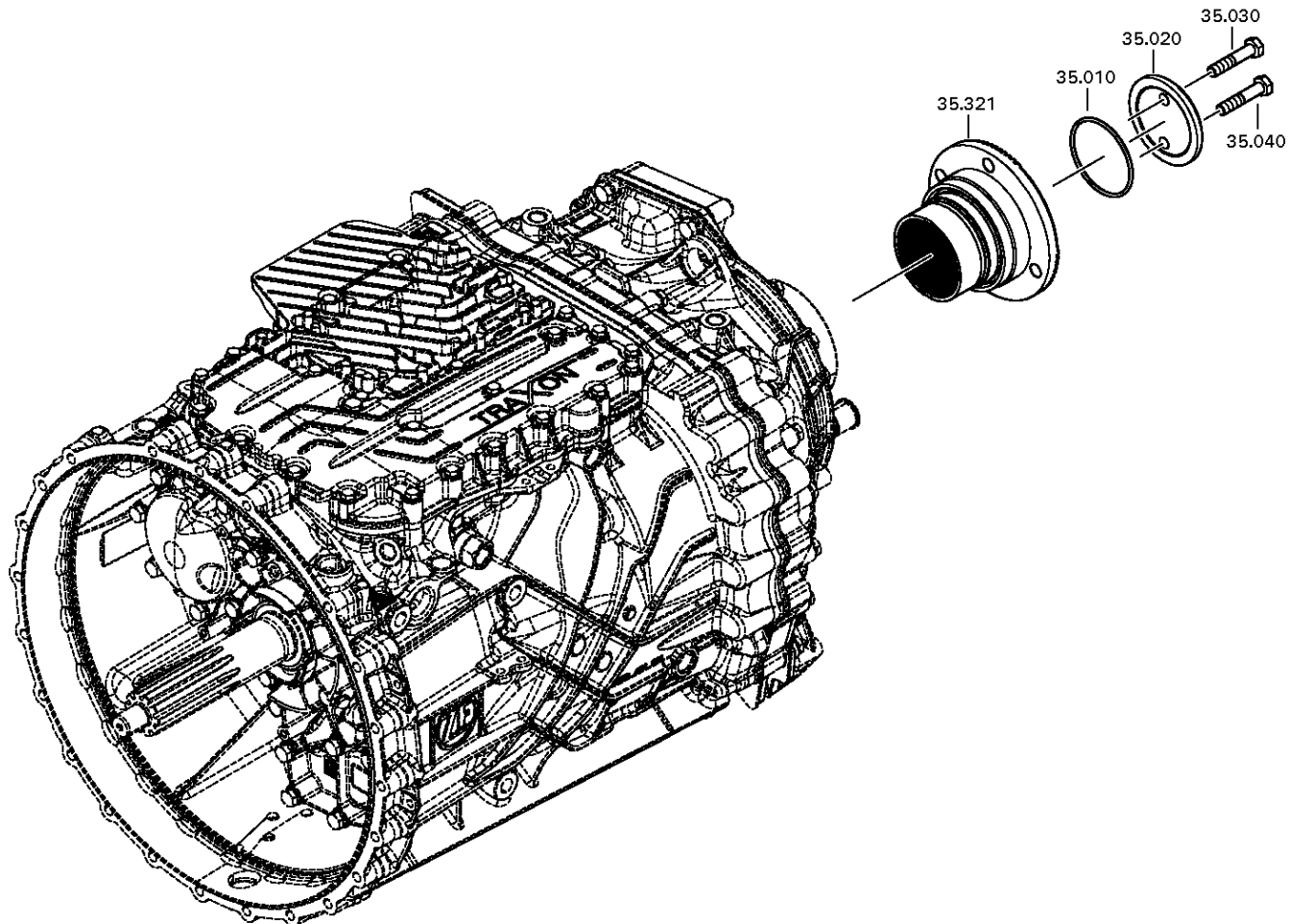
Material number: 1358.004.003

Picture: 194.35.02-1

Material-assembly-group-no: 1358.135.007



12 TX 2820 TO /  
OUTPUT



# Picture

Page 1 from 1

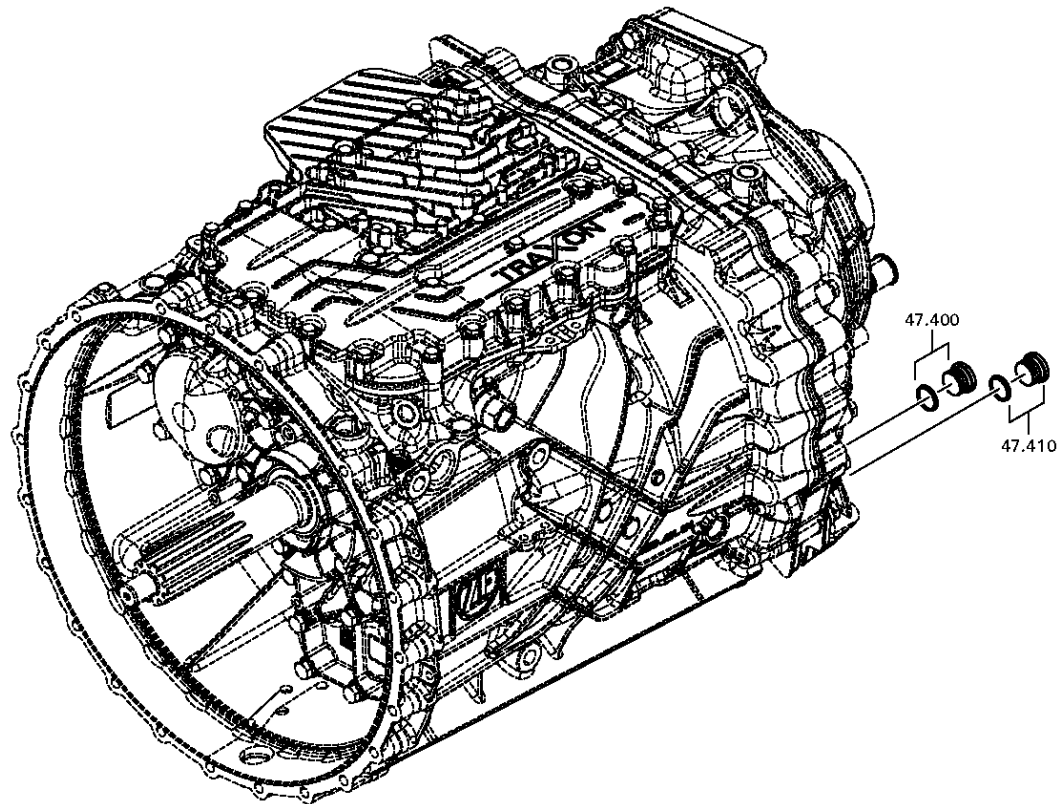
Material number: 1358.004.003

Picture: 194.47.80-1

Material-assembly-group-no: 1358.147.801



12 TX 2820 TO /  
SCREW PLUG



# Picture

Page 1 from 1

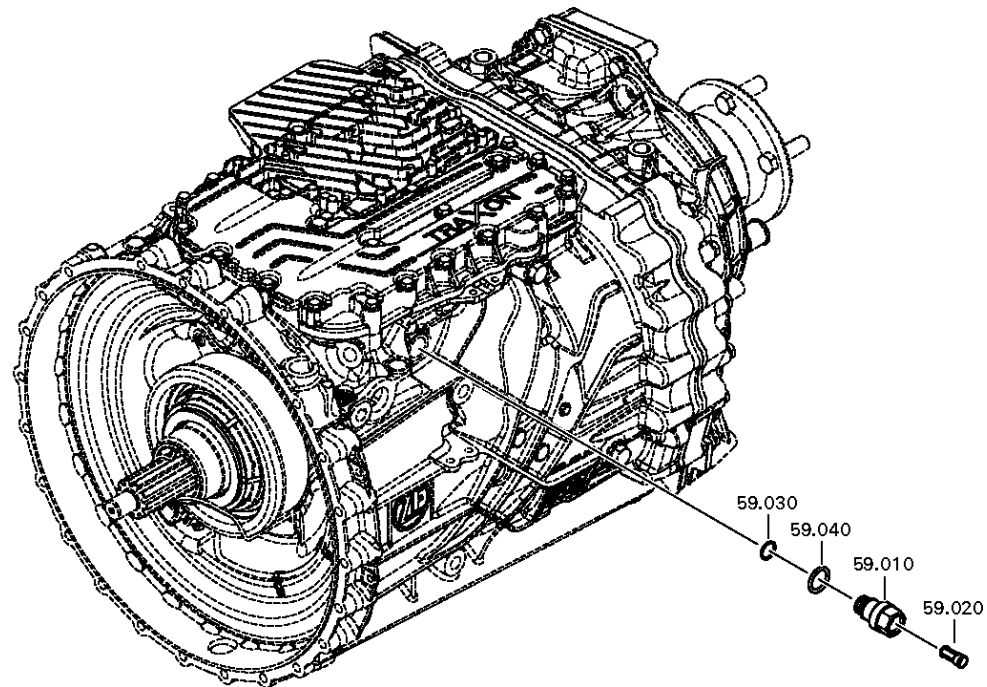
Material number: 1358.004.003

Picture: 194.59.01-1

Material-assembly-group-no: 1358.159.001



12 TX 2820 TO /  
PNEUMATIC CONNECTION



# Picture

Page 1 from 1

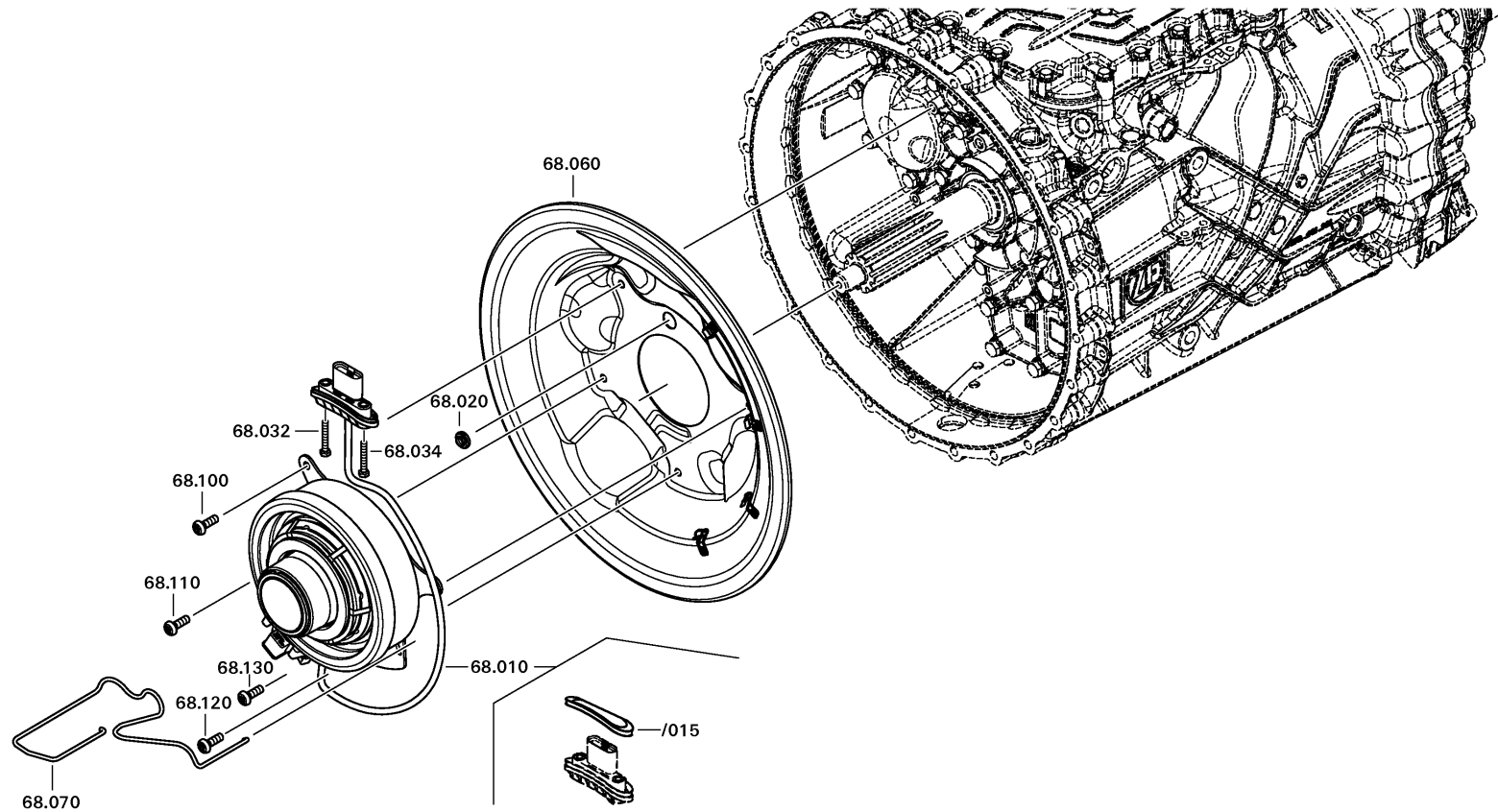
Material number: 1358.004.003

Picture: 194.68.03-1

Material-assembly-group-no: 1372.168.002



12 TX 2820 TO /  
CLUTCH RELEASE DEVICE



# Picture

Page 1 from 1

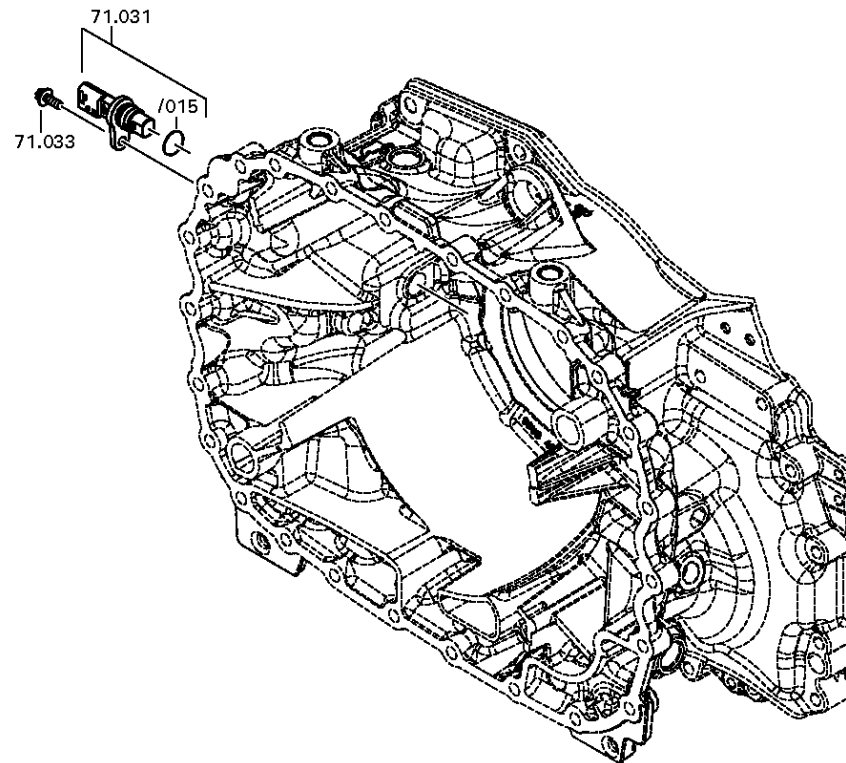
Material number: 1358.004.003

Picture: 194.71.01-1

Material-assembly-group-no: 1358.171.008



12 TX 2820 TO /  
CONNECTION



# Picture

Page 1 from 1

Material number: 1358.004.003

Picture: 194.72.02-1

Material-assembly-group-no: 1358.172.004



12 TX 2820 TO /  
IMPULSRAD

