



Spare Parts Catalog

12 S 2333 TD

Material number: 1366.004.034

Current date: 26.10.2016

ZF Friedrichshafen AG
Hauptverwaltung
80038 Friedrichshafen
Deutschland

Telefon: +49 7541 77-0

Telefax: +49 7541 77-908000

www.zf.com

zuständiges Werk:
Friedrichshafen

Notes relating to the spare parts catalog

Setup of the spare parts catalog

- Cover sheet
- Technical Cover (only in SDM print)
- Overview of figures
- Figure
- Associated parts list
- Next figure
- Associated parts list
- ...

Figure and parts list



Overview of figures

Bildtafel Figure	Sachnummer Product number	Benennung (Description)	Technische Info Technical info	Description (Benennung)	Menge Quantity	Einheit Unit
068.08.17	1316.170.001	AUSLEGER	WL	SHIFT TURRET	1	Stk
068.08.06	1316.170.031	DECKEL	WL*H-H *VM	COVER	1	Stk
068.08.14	1316.170.808	DECKEL	WL*AUSL+GEH*H-H*HF160N	COVER	1	Stk
08	1316.170.441	ANSCHLUSSTEILE	WL*NG-VORB*RG-SCHL*168N *BAJONETT	CONNECTING PARTS	1	Stk

The "gap" indicates that there is no separate graphics panel (poster) for this assembly
The parts of this assembly are shown with the same mid-section number on the figure

1 Positions and subpositions

Pos.	Sachnummer Product number	Benennung (Description)	Technische Info Technical info	Description (Benennung)	Menge Quantity	Einheit Unit
0370	1315.201.054	RUECKLAUFBOLZEN	KPL.16S151*SG*L= 79	REV.IDLER SHAFT	1	Stk
/0120	0631.329.293	SPANNSTIFT		SLOT. PIN	1	Stk

Positions marked with "/" are the individual items of a completion
For example: Position 0370 contains a centering pin with the position /0120

2 Combinations with standardized parts

Pos.	Sachnummer Product number	Benennung (Description)	Technische Info Technical info	Description (Benennung)	Menge Quantity	Einheit Unit
0630		VERSCHL.SCHR.		SCREW PLUG	1	Stk
	0636.302.067	VERSCHL.SCHR.		SCREW PLUG	1	Stk
	0634.801.249	DICHTRING	A 26 X 31	SEALING RING	1	Stk

The parts list shows the components included in the combination of standardized parts

3 Depiction of position/item number on the figure and in the parts list

01.620 - on the figure 01 relates to the assembly in which the position is included. Due to program-related reasons, it is shown on the figure.

0620 - in the parts list

Pos.	Sachnummer Product number	Benennung (Description)	Technische Info Technical info	Description (Benennung)	Menge Quantity	Einheit Unit
0620	0732.040.736	DRUCKFEDER		COMPRESSION SPRING	1	Stk

4 *-Positions

Positions marked with an * are optional i.e. inclusion in the parts list is not mandatory.
The following note is shown on the figure

je nach Stücklistenausführung
depending on spec. number
*
suivant la nomenclature
secondo la distinta base

5 Parts, dotted display

Parts with dotted display on the figure are only used for orientation of other parts

Technical Cover

Page 1 from 4

Material number: 1366.004.034



12 S 2333 TD /

Pos.	Information	Amendment number
001	Use case -----	
002	Customer DAF TRUCKS N.V.	
003	City EINDHOVEN	
004	DUNS 41-579-9402	
005	Vehicle / Apparatus -----	
006	Sales Name F105XF	
007	Manufacturer DAF TRUCKS N.V.	
008	Engineering Name	
009	Product Use TRUCK	
010	Vehicle/Hardware Type ROAD TRACTOR	
011	SOP	
012	Engine	
013	Sales Designation	
014	Manufacturer DAF TRUCKS N.V.	
015	Eng.Displ.	
016	Cylinder	
017	Nom. power 340 kW	
018	RPM at nom. power 1900 1/min	
019	Nom. torque 2300 Nm	
020	RPM at nom. torque 1450 1/min	
021	Classification use case -----	
024	TOTAL NUMBER OF WHEELS 6	
025	NUMBER OF DRIVING WHEELS 2	
026	DYNAMIC TYRE RADIUS 522 mm	
027	REAR AXLE RATIO 3.07	
031	PERMISS.GROSS COMBIN.WEIGHT 50 t	
032	Product description -----	
033	INSTALLATION POS TRANSMISSION HORIZONTAL LEFT	
034	TRANSMISSION ATTACHMENT FLANGE-MOUNTED	
035	COMPANY NAME ON TYPE PLATE	
041	NUMBER OF GEARS 12	
042	RATIO, BOTTOM GEAR 15.57	
043	RATIO, TOP GEAR 1	



Pos.	Information	Amendment number
044	SET OF RATIOS DG	
045	NOTE ON TYPE OF GEAR SHIFT SYS TURNING SHAFT	
046	POSITION, GEAR SHIFT SYSTEM HORIZONTAL LEFT	
047	DESIGN, SHIFT PATTERN UEH	
048	VERSION SHIFT SUPPORT GATE DEPENDENT SERVO	
049	VERSION ACTUATION SHIFT SYSTEM MECHANICAL	
050	DESIGN, SHIFT SYSTEM E13MP	
051	DESIGN PSE PSE9	
053	DESIGN, VALVE BLOCK MIT LUFTVERTEILER	
057	DESIGN 1TH GEAR/REVERSE GEAR TUMBLER YOKE	
058	DESIGN AIR SHUT-OFF GV-VALVE	
059	DIA.THROTTLE VALVE AIR SUPPLY mm	
060	SELECTION PATTERN VARIANT GEAR SHIFT PATTERN 1	
061	VERSION OF SYNCHRONIZER 1 1.GEAR BK-SYNCHR.CARBON	
062	VERSION OF SYNCHRONIZER 2 2+3 GEAR BK-SYNCHR.CARBON	
063	REFERENCE LENGTH INPUT SHAFT 109 mm	
064	STANDARD TYPE INPUT SHAFT SAE	
065	NUMBER OF WEDGES INPUT SHAFT 10	
066	VERSION OF INPUT SHAFT FORM C	
067	NOMINAL DIAMETER INPUT SHAFT 2 in	
068	DIAMETER, JOURNAL, INPUT SHAFT 25 mm	
069	TYPE FIT SPIGOTS INPUT SHAFT F7	
070	VER. BEAR. SPIGOTS INPUT SHAFT AXIAL AND RADIAL	
073	DESIGN,CONN., CLUTCH HOUSING SAE 1	
074	CENTR.DIA,HSG/ENGINE CONNECT. 511.175 mm	
075	NUMBER OF BORES,ENGINE CONN. 12	
076	BORE DIA, ENGINE CONNECTION 11 mm	
077	DESIGN, RELEASE SHAFT	
078	WIDTH ACROSS FLATS,RELEAS.FORK 116 mm	
081	REF.LENGTH,RELEASE BEAR.FLAN -24.2 mm	
082	DIAMETER, RELEASE FLANGE 62.62 mm	
083	DESIGN RELEASE CYLINDER WITHOUT GROOVE	
084	OUTER DIA. OUTPUT FLANGE RA 180 mm	



Pos.	Information	Amendment number
085	NO.OF BORES OUTPUT FLANGE HA1 4	
087	BORE DIA. OUTPUT FLANGE RA 15 mm	
092	DIMENSION SHIFT TURRET DIST. 300 mm	
093	MEAS. LOC. SHIFT TURRET DIST. SHIFT LEVER-LOCATION	
094	SELECTOR LEVER n	
099	SHIFT LEVER n	
103	SHIFT LEVER CONNECTION GROVE	
110	SPRING ARRANGEMENT Q1	
111	SPRING FORCE DETENT PLUNGER RG 200 N	
114	SELECTOR SPRING FORCE, OUTSIDE 100 N	
122	SWITCH, REVERSE GEAR y	
123	DESIGN, RG (REV.GEAR) SWITCH CLOSING	
124	DESIGN, CONNECTION, RG SWITCH DIN BAYONET	
125	CODE SWITCH RG A2	
126	PROT.CAP SWITCH, REVERSE GEAR y	
127	SWITCH, NEUTRAL GEAR y	
128	DESIGN,NG(NEUTRAL GEAR)SWITCH CLOSING	
129	DESIGN, CONNECTION, NG SWITCH DIN BAYONET	
130	CODE SWITCH NG A1	
131	PROT.CAP SWITCH, NEUTRAL GEAR y	
132	PRESSURE SWITCH y	
133	DESIGN PRESSURE SWITCH CLOSING	
134	DESIGN CONN. PRESSURE SWITCH DIN BAYONET	
135	CODE PRESSURE SWITCH A3	
136	PROTECTING CAP PRESS.SWITCH y	
137	RG-GATE-IDENTIFICATION SWITCH n	
142	SWITCH RG-ENGAGED n	
147	SWITCH GP y	
148	DESIGN, GP SWITCH CLOSING	
149	DESIGN, CONNECTION, GP SWITCH DIN BAYONET	
150	CODE SWITCH GP A1	
151	PROTECTING CAP GP SWITCH y	
152	SWITCH GP-END POSITION n	



Pos.	Information	Amendment number
157	SWITCH GV y	
158	DESIGN, GV SWITCH CLOSING	
159	DESIGN, CONNECTION, GV SWITCH DIN BAYONET	
160	PROTECTING CAP GV SWITCH y	
161	CODE SWITCH GV A1	
162	SWITCH HG n	
163	DESIGN, HG (TOP GEAR) SWITCH PREPARED	
167	SWITCH 1 GEAR n	
168	DESIGN SWITCH 1G PREPARED	
172	ATTACHM.POS.HEAT EXCHANGER IN FRONT RIGHT	
173	DES.CONN.HEAT EXCHANGER PREPARED	
174	VER. TRANSMISSION VENTILATION PREPARED	
181	PULSE SENSOR TRANSMISSION WITH	
182	PULSE RATE PULSE SENS GEARBOX 6 IMP/U	
183	PROT.CAP PULSE SENSOR GEARBOX y	
184	DES.CONN.PULSE SENSOR GEARBOX DIN BAYONET	
185	DESIGN PULSE SENSOR GEARBOX KITAS II	
191	OIL CAPACITY, GEARBOX 15.5 dm3	
192	OIL FILL VARIANT EX WORKS	
193	OIL GRADE PERMISSIBLE ACC. TO TE-ML01	
194	OIL CLASS FIRST FILLING E	
195	CODING OUTER CONSERVATION KA1+2	
196	SCOPE OUTER CONSERVATION T	
197	CODING INNER CONSERVATION KI1	
198	CONSERVATION SPECIFICATION ZFN 916	
199	COLOR NOT	
255	Alias ID -----	
256	DAF TRUCKS N.V. 1854535	

Assembly group overview

Page 1 from 2



Material number: 1366.004.034

12 S 2333 TD /

Graphics	Pos.	Material number	Name	Quantity	Amend. no.	Techn. Info.
161.01.06-1	110	1325.101.011	TRANSMISSION HOUSING	1		
161.01.81-1	180	1325.101.811	CLUTCH HOUSING	1		
161.02.02-1	10	1325.102.013	INPUT SHAFT	1		
161.02.80-1	240	1325.102.802	CONNECTION PLATE	1		
161.02.01-1	910	1325.102.016	CONNECTION PLATE	1		
161.03.01-1	20	1325.103.007	COUNTERSHAFT	1		
161.04.01-1	30	1325.104.012	MAIN SHAFT	1		
161.05.01-1	130	1325.105.001	RETURN	1		
161.06.05-1	40	1325.106.005	TRANSMISSION SHIFT SYSTEM	1		
161.06.02-1	44	1325.106.803	TRANSMISSION SHIFT SYSTEM	1		
161.06.83-1	160	1325.106.802	TRANSMISSION SHIFT SYSTEM	1		
161.06.80-1	410	1325.106.400	SWITCH	1		
161.07.81-1	460	1316.108.828	GEAR SHIFT HOUSING	1		
161.07.04-1	910	1325.108.014	GEAR SHIFT HOUSING	1		
068.07.47-1	914	1341.108.412	GEARSHIFT SHAFT	1		
068.07.82-1	924	1341.108.002	DETENT	1		
068.07.83-1	930	1341.108.800	COVER	1		
062.08.30-1	954	1316.171.403	END COVER	1		
068.08.19-1	960	1316.171.438	PNEUMATIC SERVO UNIT	1		
161.09.12-1	934	1325.109.008	VALVE BLOCK	1		
161.09.03-1	940	1325.109.409	SWITCH	1		
161.10.02-1	200	1325.110.007	OIL SUPPLY	1		
161.10.01-1	920	1325.110.005	PUMP	1		
068.12.24-1	920	1341.149.003	SET OF SPRINGS	1		
161.28.01-1	370	1325.128.806	PLANETARY RANGE	1		
161.40.01-1	50	1325.112.006	GV-SHIFT SYSTEM	1		
161.40.80-1	340	1325.112.811	GV-SHIFT SYSTEM	1		
161.40.41-1	380	1325.112.401	SWITCH	1		
161.43.01-1	40	1325.131.009	RC HOUSING	1		
161.43.40-1	50	1325.131.400	CLOSING COMPONENTS	1		
161.44.03-1	10	1325.132.003	PLANETARY DRIVE	1		
161.44.40-1	60	1325.132.401	OUTPUT FLANGE	1		

Assembly group overview

Page 2 from 2



Material number: 1366.004.034

12 S 2333 TD /

Graphics	Pos.	Material number	Name	Quantity	Amend. no.	Techn. Info.
161.45.01-1	20	1325.133.004	SYNCHRONIZER	1		
161.46.01-1	30	1325.134.006	GP SHIFT SYSTEM	1		
161.46.40-1	400	1325.134.404	SWITCH	1		
161.57.01-1	510	1325.145.003	RANGE SELECTION	1		
161.70.02-1	480	1325.170.005	SHUT-OFF VALVE	1		
161.90.08	320	1325.147.009	SCREW PLUG	1		
161.93.25-1	260	1325.168.005	CLUTCH RELEASE DEVICE	1		
161.93.17-1	262	1315.301.230	PROTECTION CAP	1		
	KIT	1356.298.001	REPAIR KIT	1		

Plant

Page 1 from 2

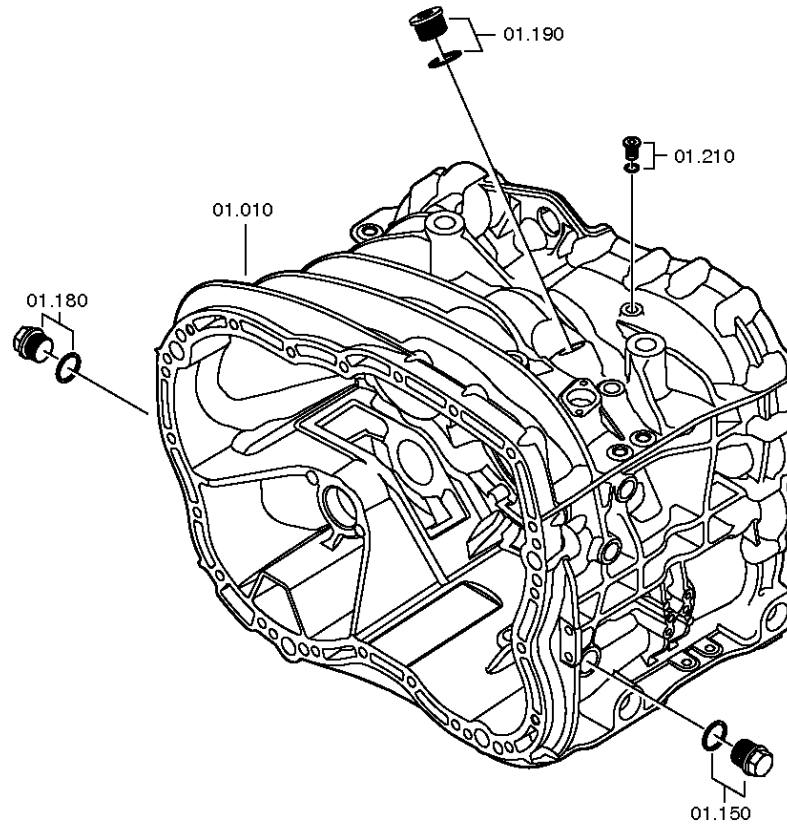
Material number: 1366.004.034

Plant: 161.01.06-1

TRANSMISSION HOUSING



12 S 2333 TD /
TRANSMISSION HOUSING



Plant

Page 2 from 2

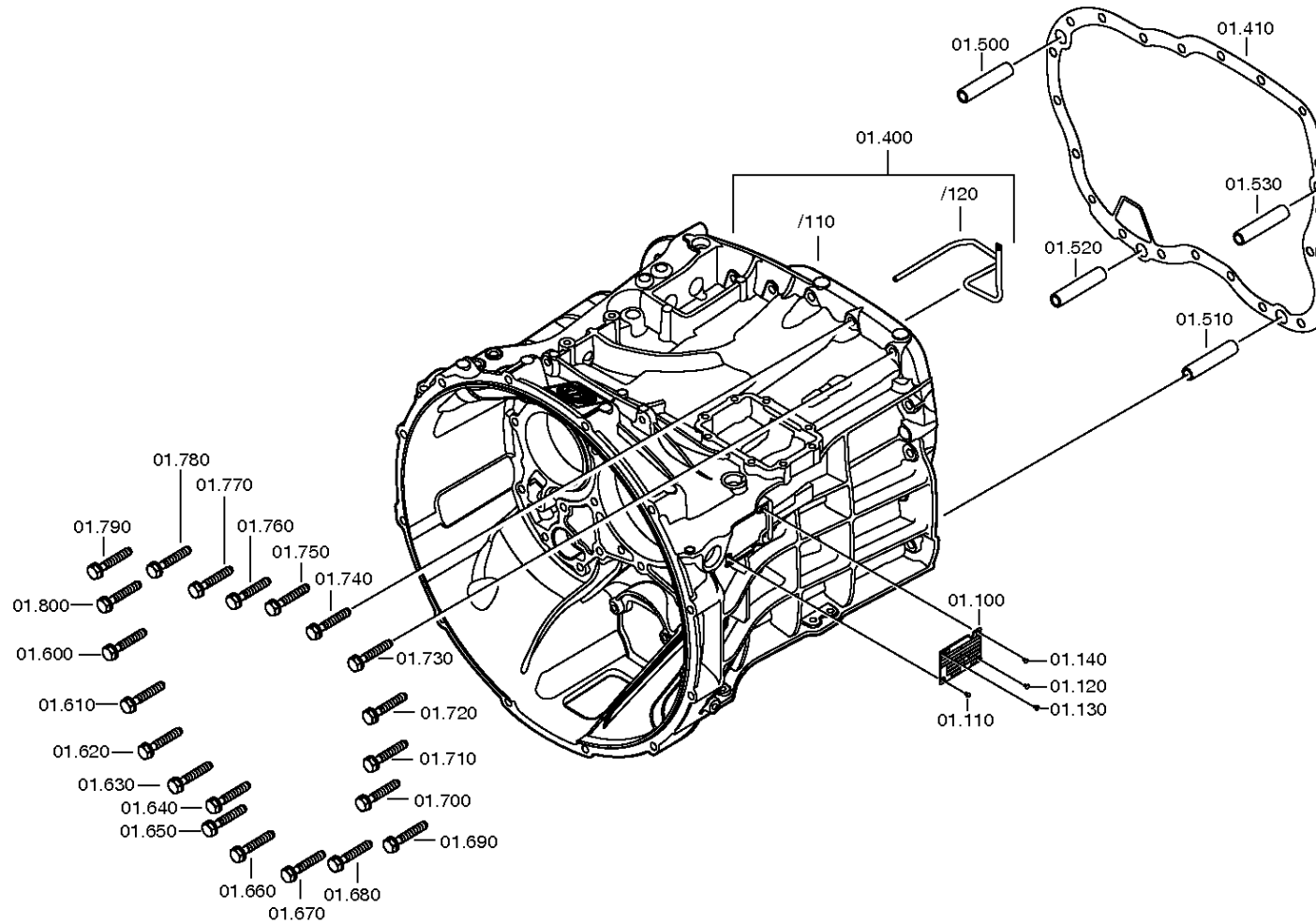
Material number: 1366.004.034

Plant: 161.01.81-1

TRANSMISSION HOUSING



12 S 2333 TD /
TRANSMISSION HOUSING



Plant

Page 1 from 3

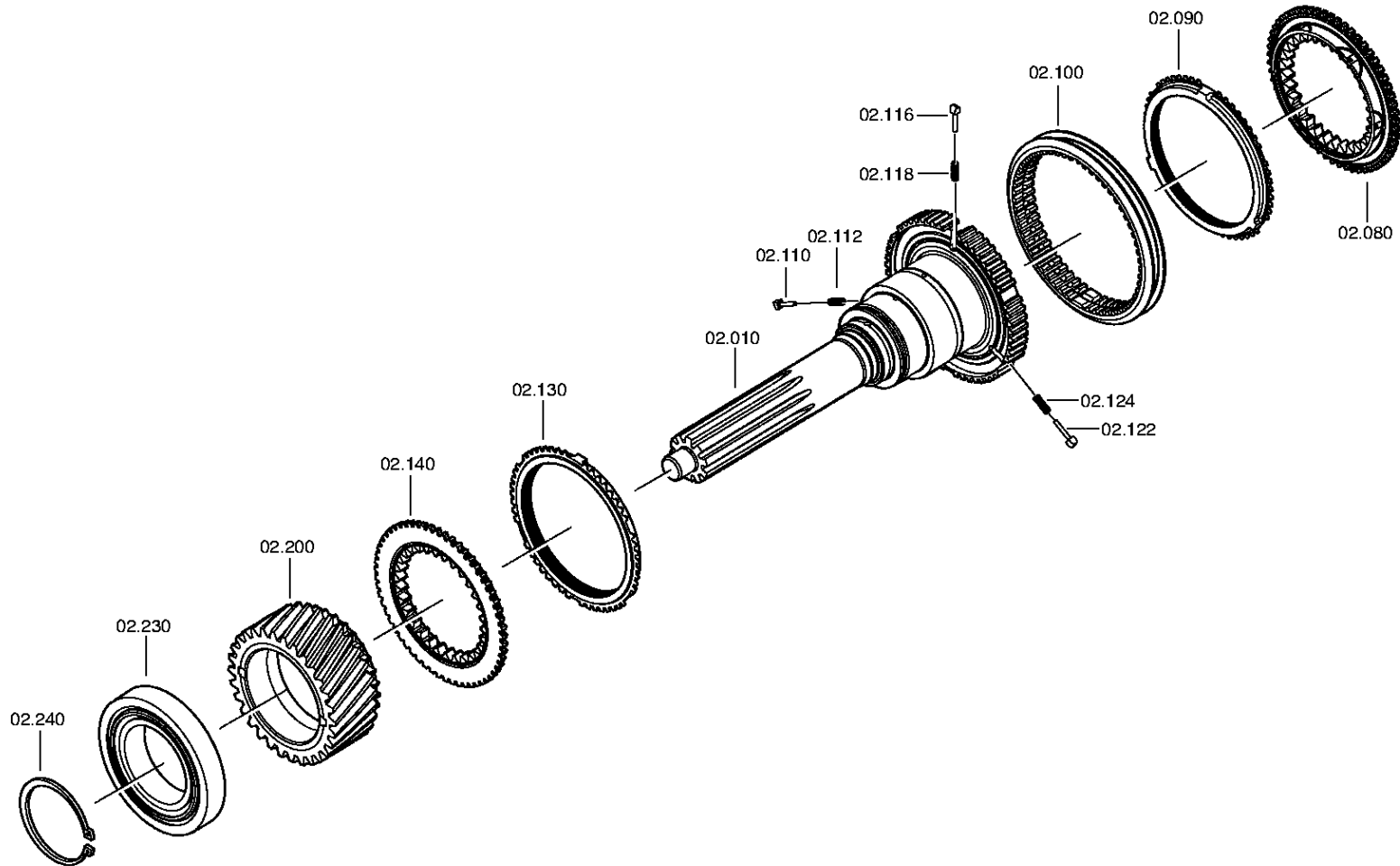
Material number: 1366.004.034

Plant: 161.02.02-1

INPUT SHAFT



12 S 2333 TD /
INPUT SHAFT



Plant

Page 2 from 3

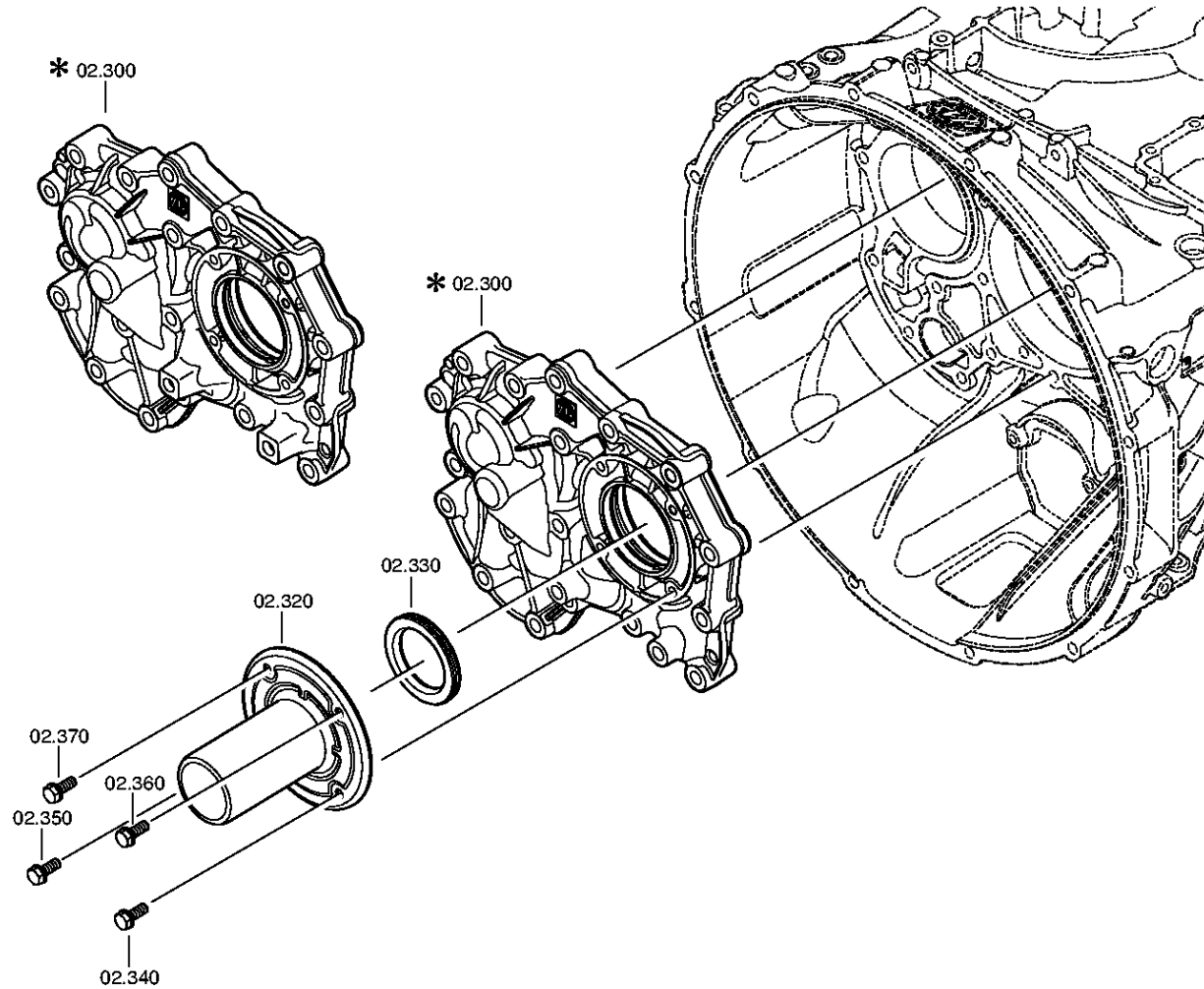
Material number: 1366.004.034

Plant: 161.02.01-1

INPUT SHAFT



12 S 2333 TD /
INPUT SHAFT



Plant

Page 3 from 3

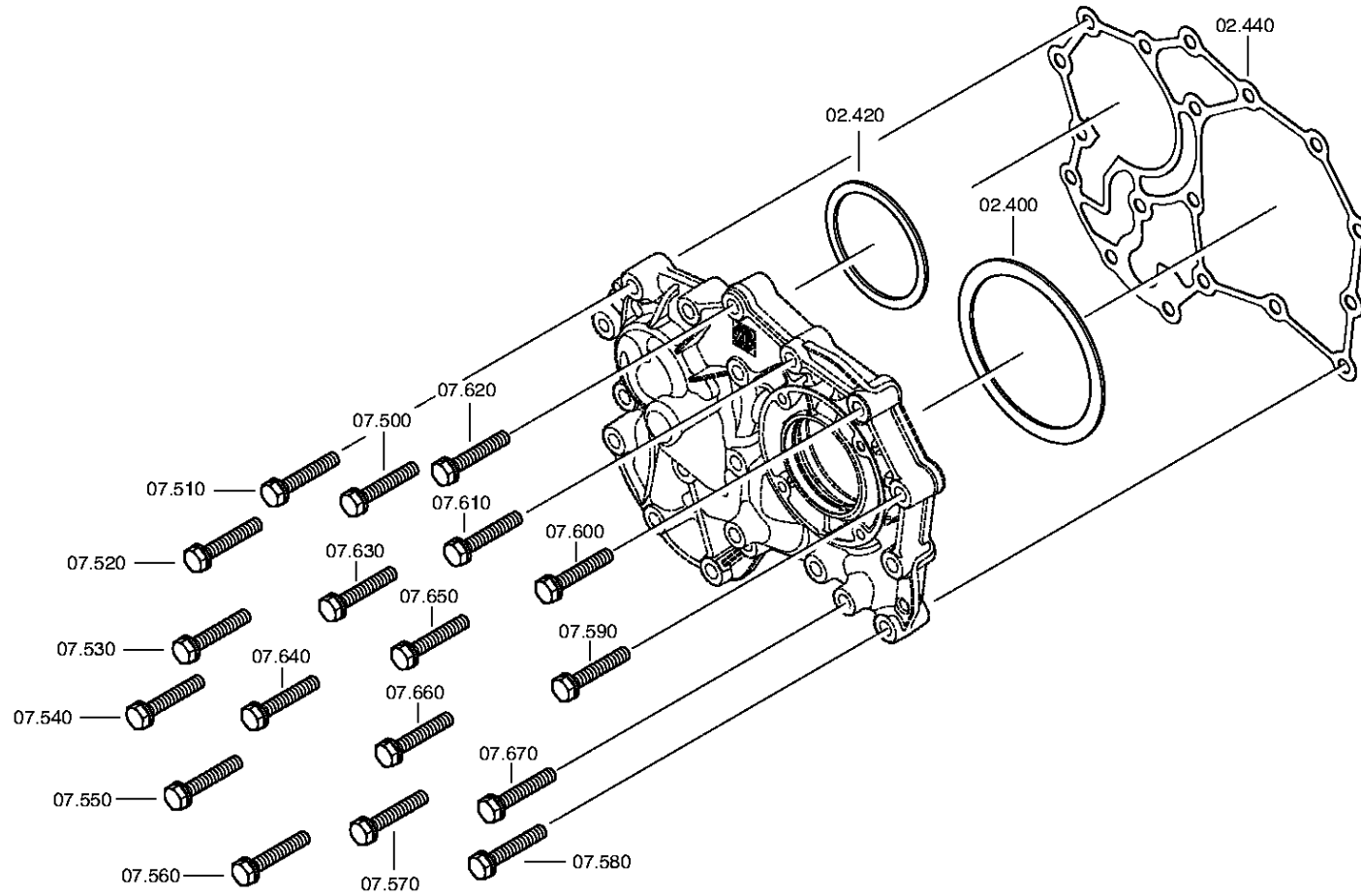
Material number: 1366.004.034

Plant: 161.02.80-1

INPUT SHAFT



12 S 2333 TD /
INPUT SHAFT



Plant

Page 1 from 1

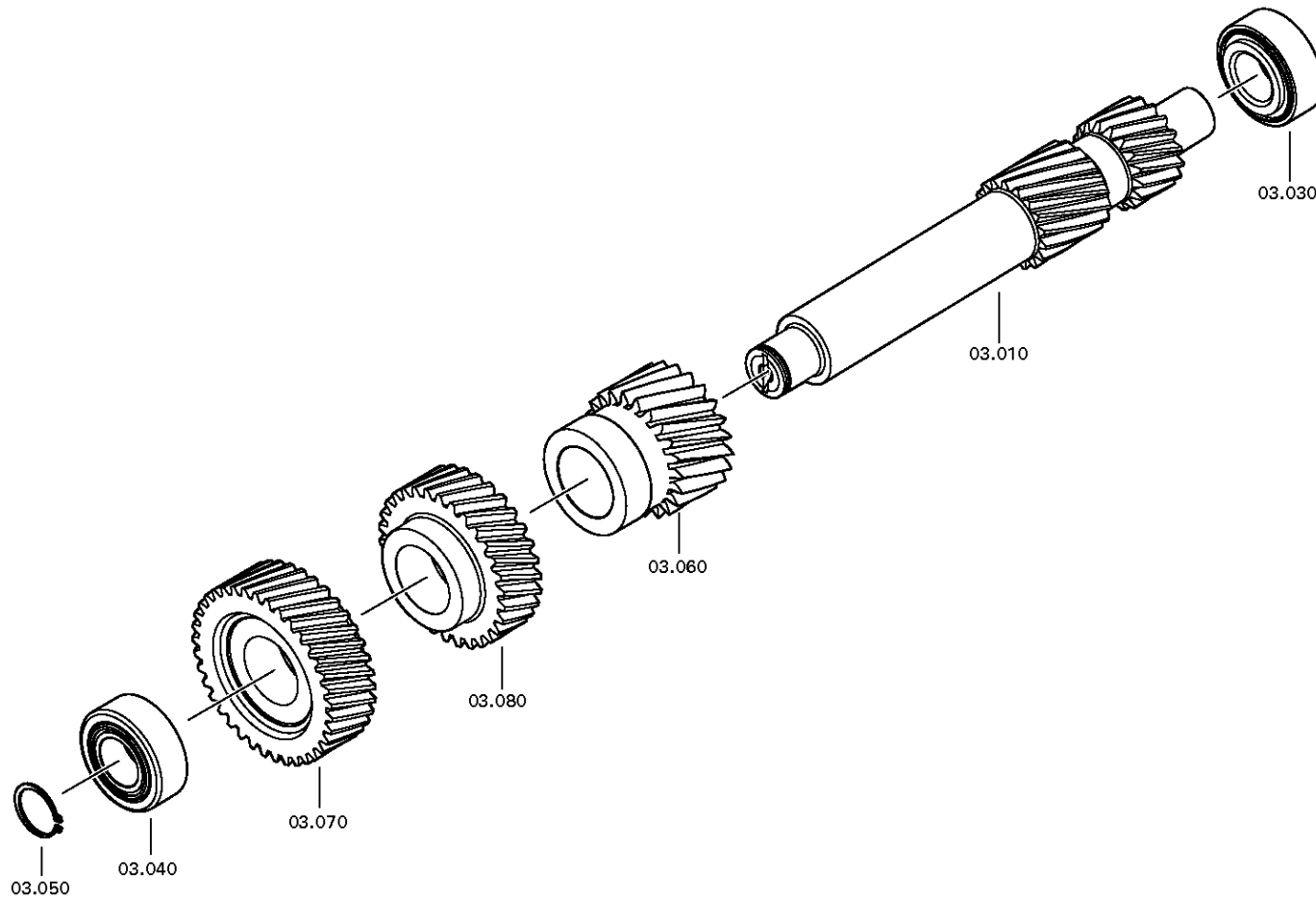
Material number: 1366.004.034

Plant: 161.03.01-1

Material-assembly-group-no: 1325.103.007



12 S 2333 TD /
COUNTERSHAFT



Plant

Page 1 from 2

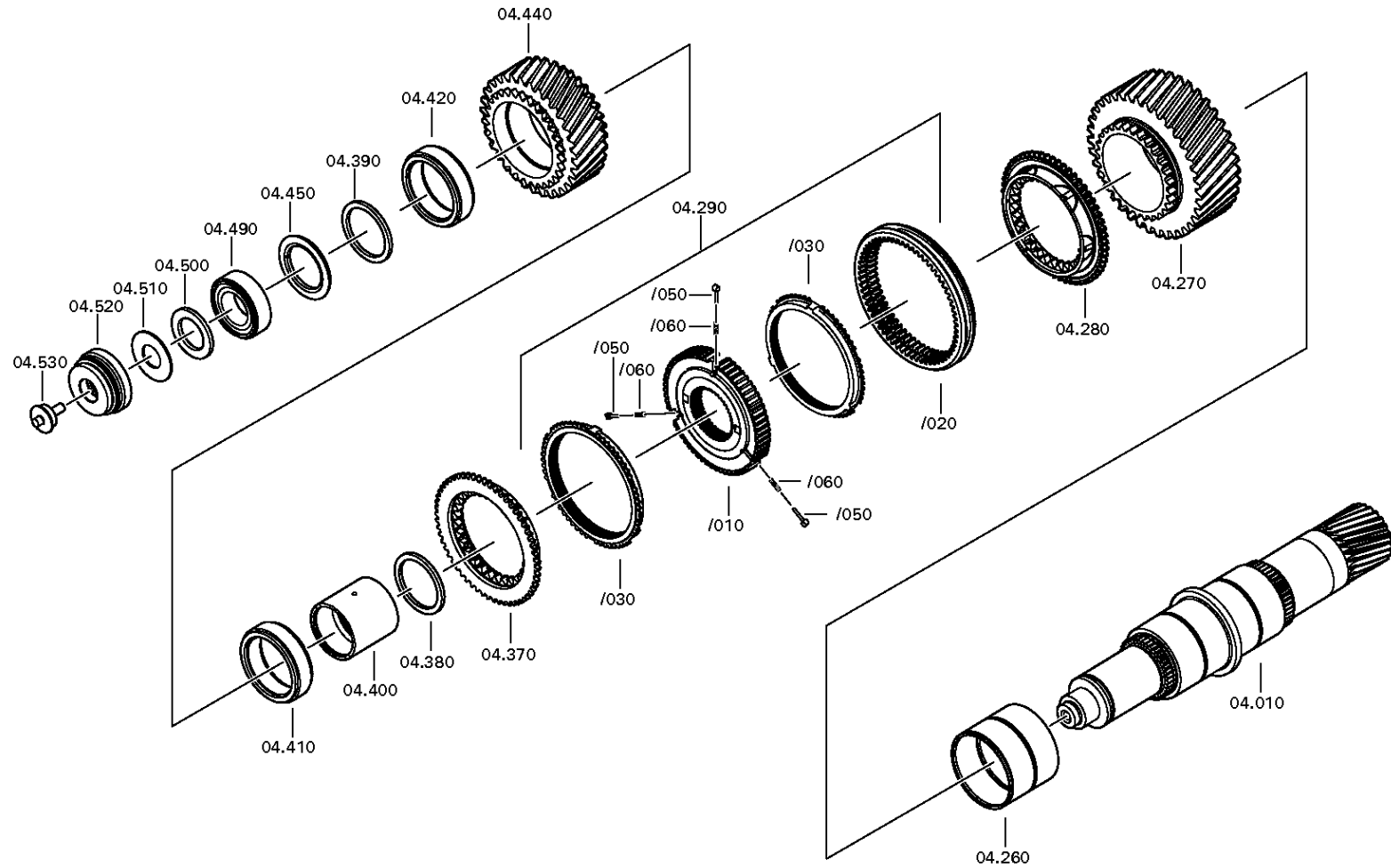
Material number: 1366.004.034

Plant: 161.04.01-1

Material-assembly-group-no: 1325.104.012



12 S 2333 TD /
MAIN SHAFT



Plant

Page 2 from 2

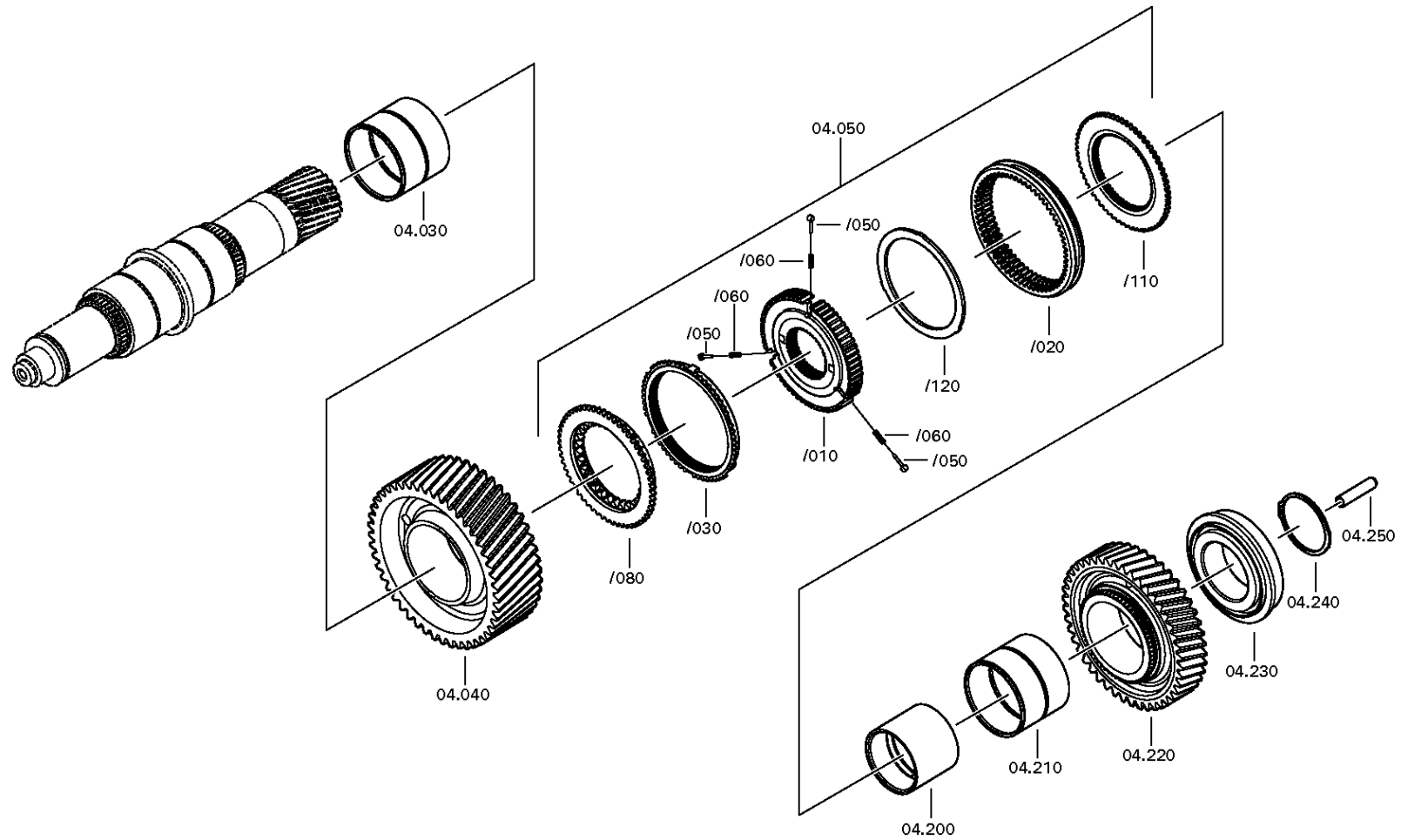
Material number: 1366.004.034

Plant: 161.04.01-2

Material-assembly-group-no: 1325.104.012



12 S 2333 TD /
MAIN SHAFT



Plant

Page 1 from 1

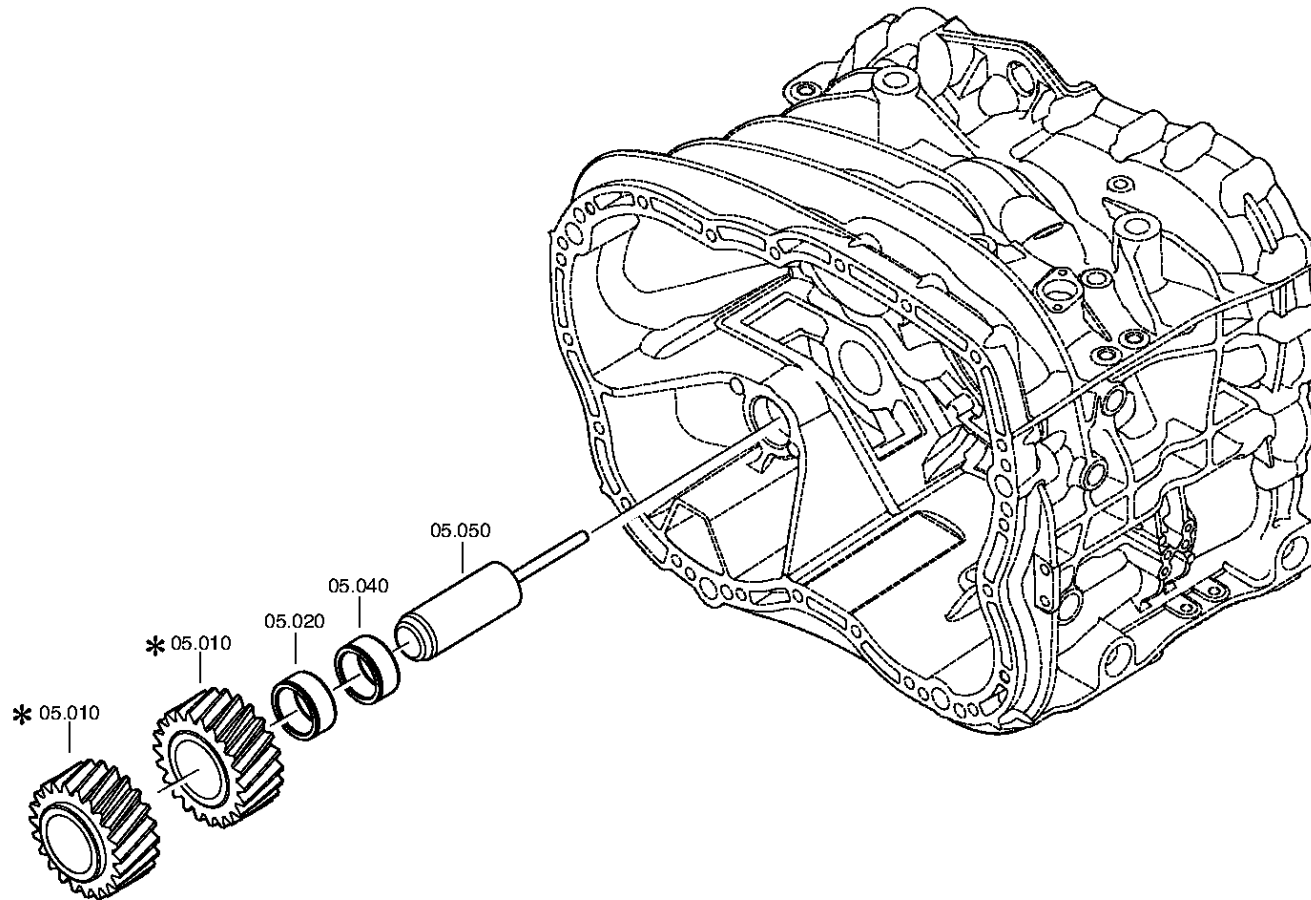
Material number: 1366.004.034

Plant: 161.05.01-1

Material-assembly-group-no: 1325.105.001



12 S 2333 TD /
RETURN



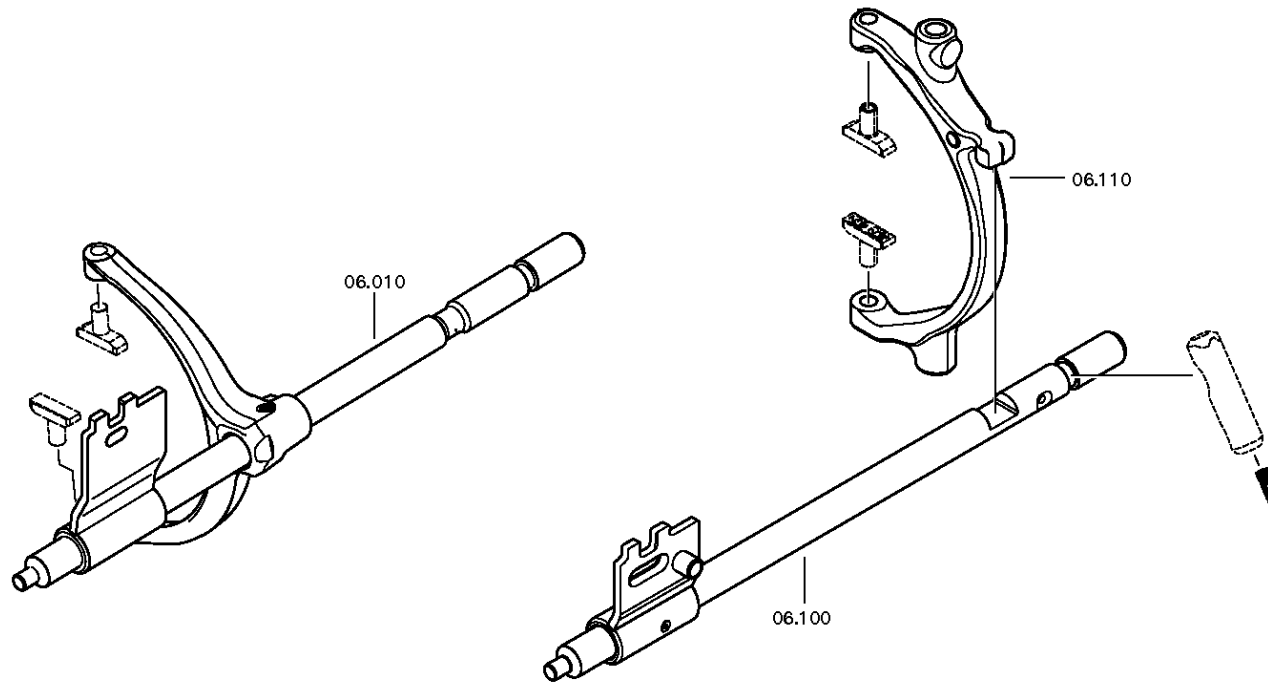
Plant

Page 1 from 4

Material number: 1366.004.034
Plant: 161.06.05-1
TRANSMISSION SHIFT SYSTEM



12 S 2333 TD /
TRANSMISSION SHIFT SYSTEM



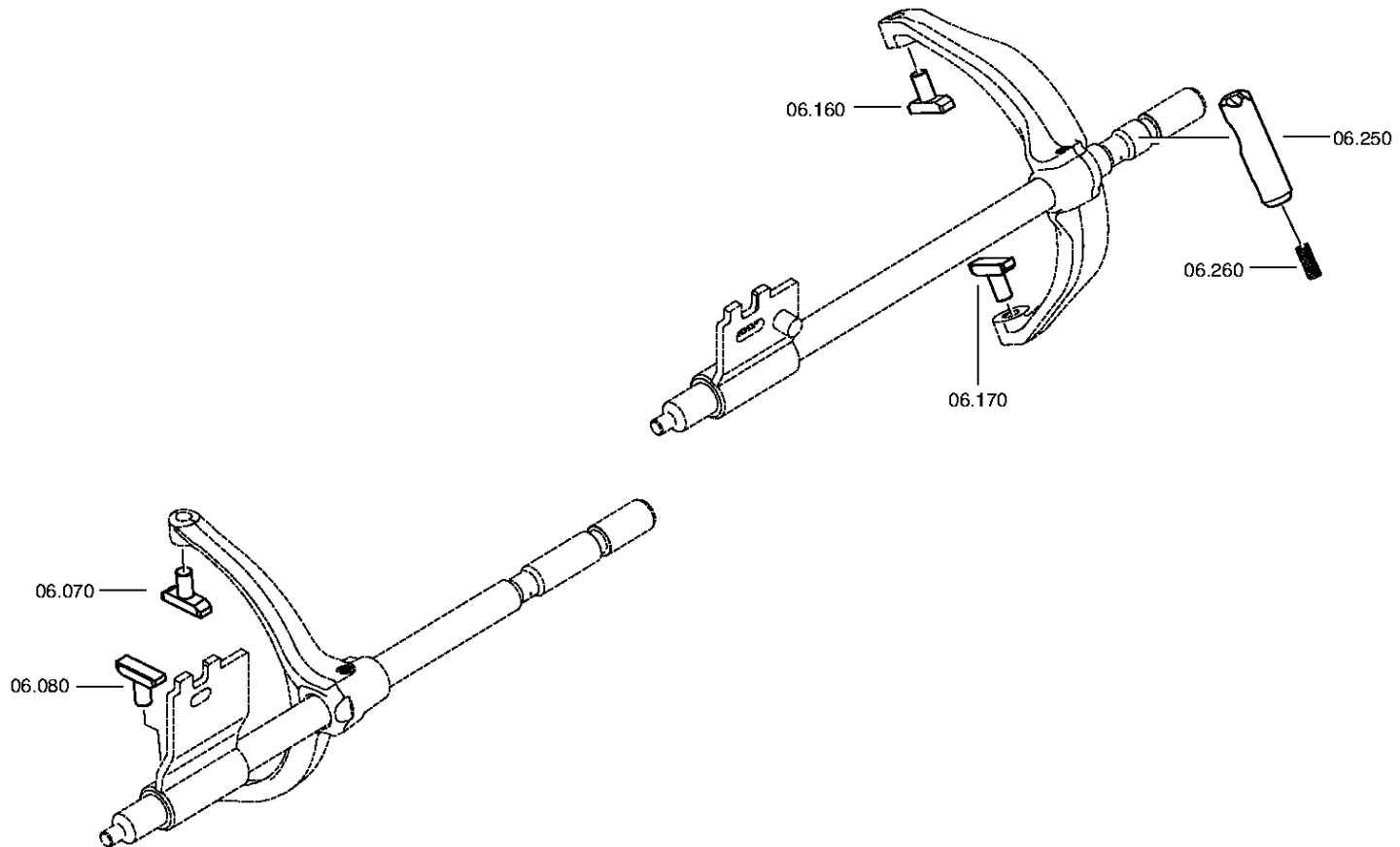
Plant

Page 2 from 4

Material number: 1366.004.034
Plant: 161.06.02-1
TRANSMISSION SHIFT SYSTEM



12 S 2333 TD /
TRANSMISSION SHIFT SYSTEM



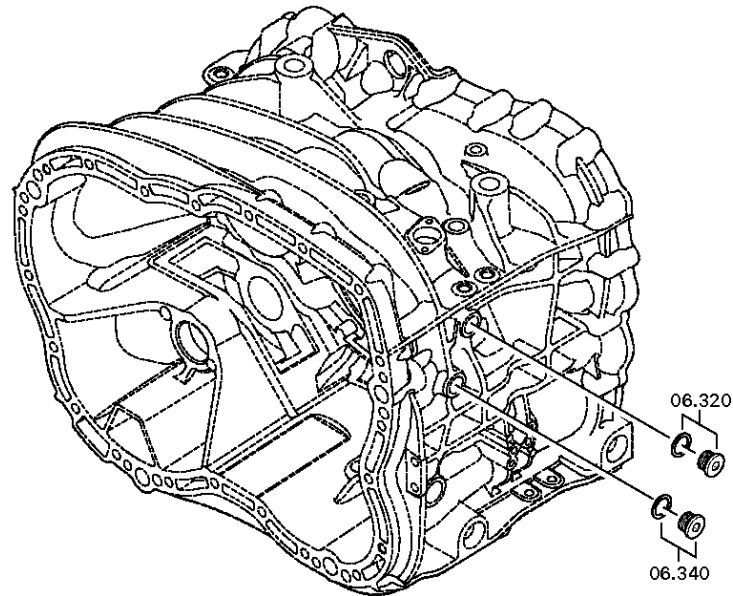
Plant

Page 3 from 4

Material number: 1366.004.034
Plant: 161.06.80-1
TRANSMISSION SHIFT SYSTEM



12 S 2333 TD /
TRANSMISSION SHIFT SYSTEM



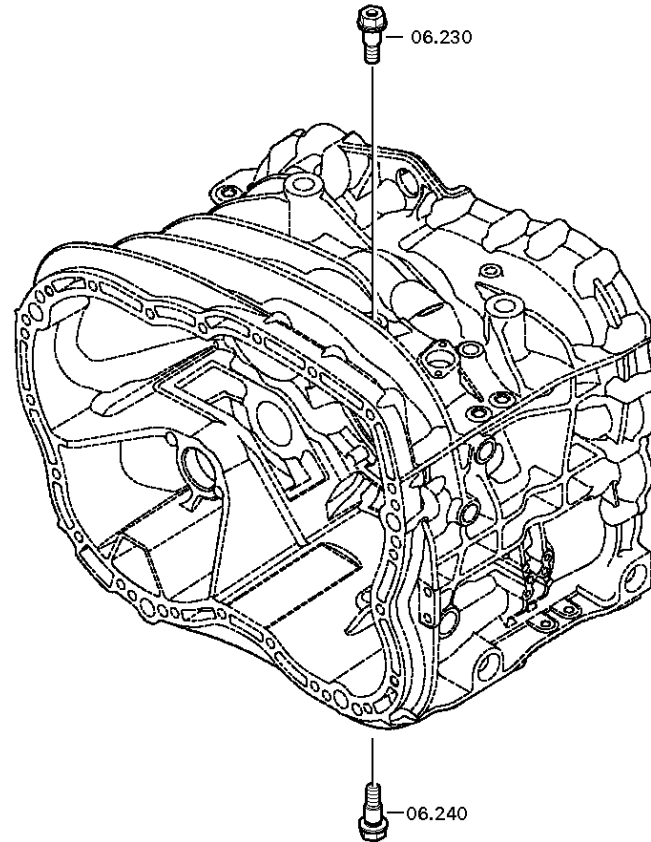
Plant

Page 4 from 4

Material number: 1366.004.034
Plant: 161.06.83-1
TRANSMISSION SHIFT SYSTEM



12 S 2333 TD /
TRANSMISSION SHIFT SYSTEM



Plant

Page 1 from 5

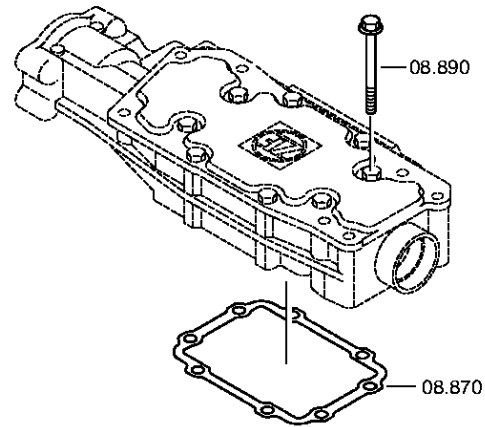
Material number: 1366.004.034

Plant: 161.07.81-1

GEAR SHIFT HOUSING



12 S 2333 TD /
GEAR SHIFT HOUSING



Plant

Page 2 from 5

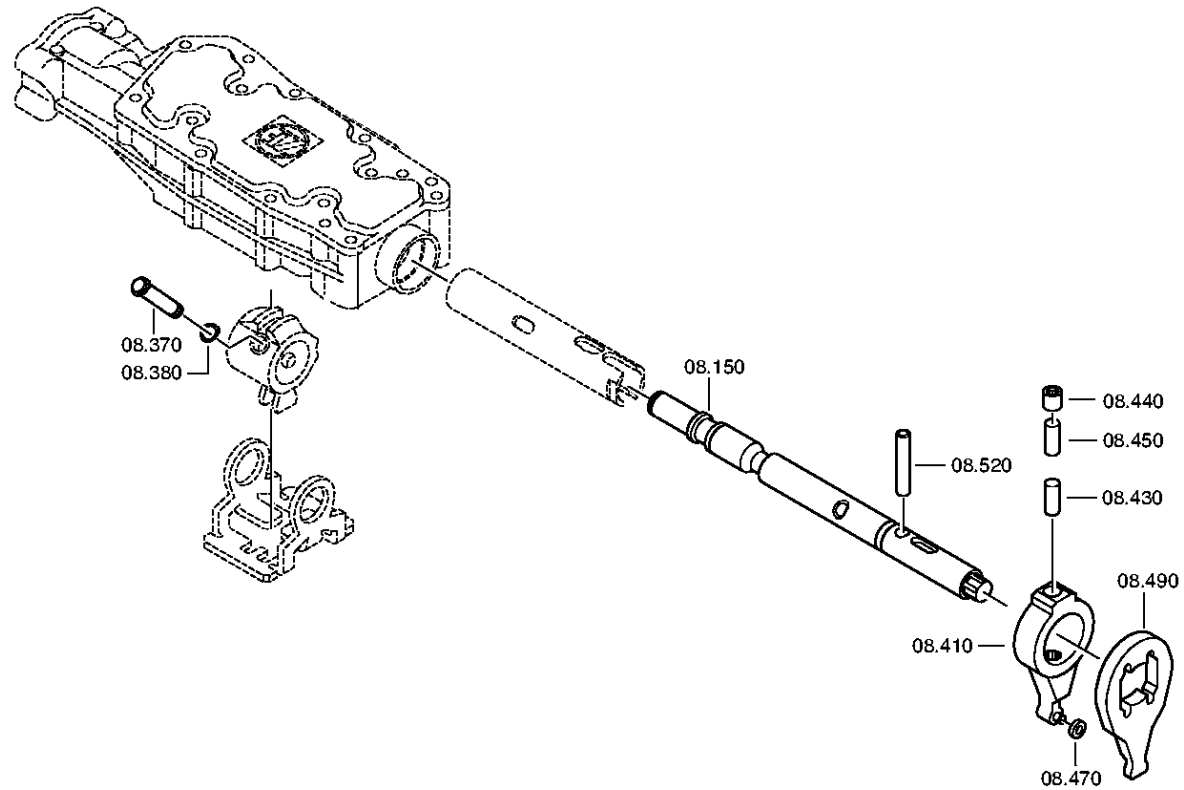
Material number: 1366.004.034

Plant: 068.07.47-1

GEAR SHIFT HOUSING



12 S 2333 TD /
GEAR SHIFT HOUSING



Plant

Page 3 from 5

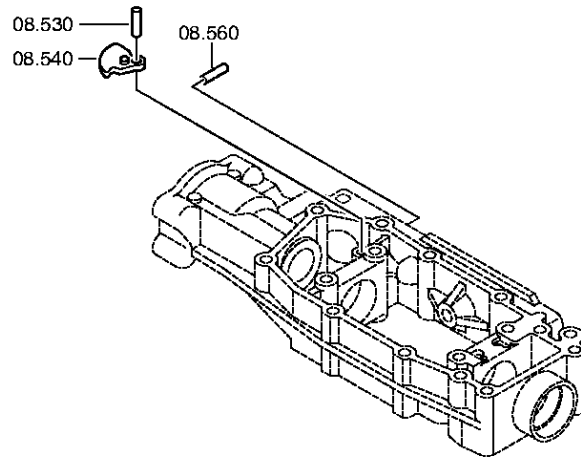
Material number: 1366.004.034

Plant: 068.07.82-1

GEAR SHIFT HOUSING



12 S 2333 TD /
GEAR SHIFT HOUSING



Plant

Page 4 from 5

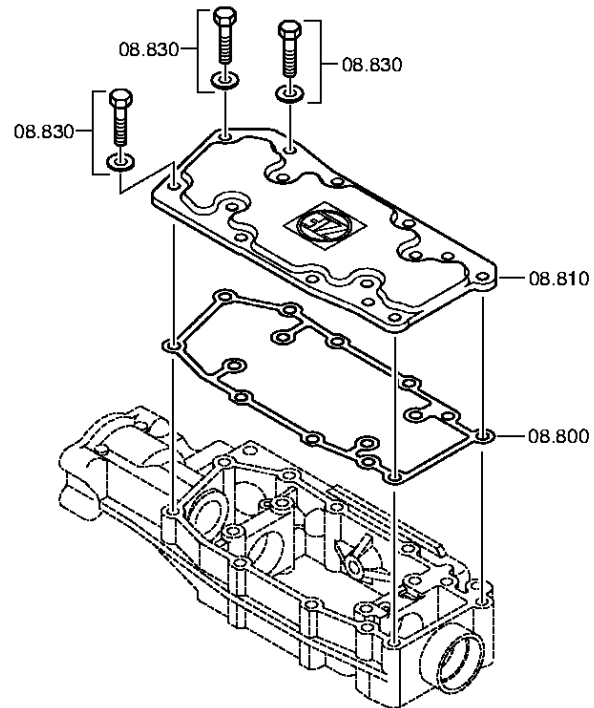
Material number: 1366.004.034

Plant: 068.07.83-1

GEAR SHIFT HOUSING



12 S 2333 TD /
GEAR SHIFT HOUSING



Plant

Page 5 from 5

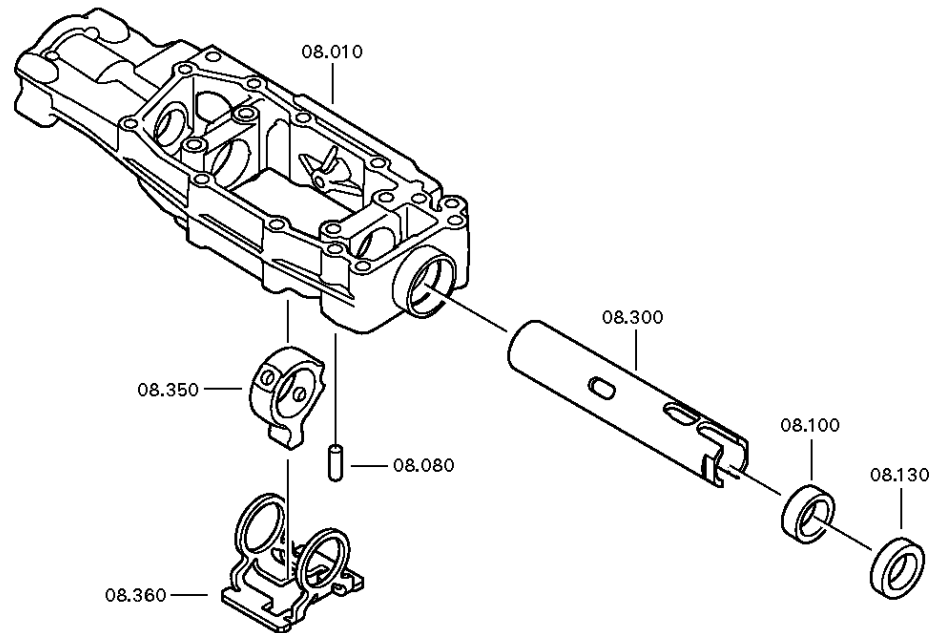
Material number: 1366.004.034

Plant: 161.07.04-1

GEAR SHIFT HOUSING



12 S 2333 TD /
GEAR SHIFT HOUSING



Plant

Page 1 from 2

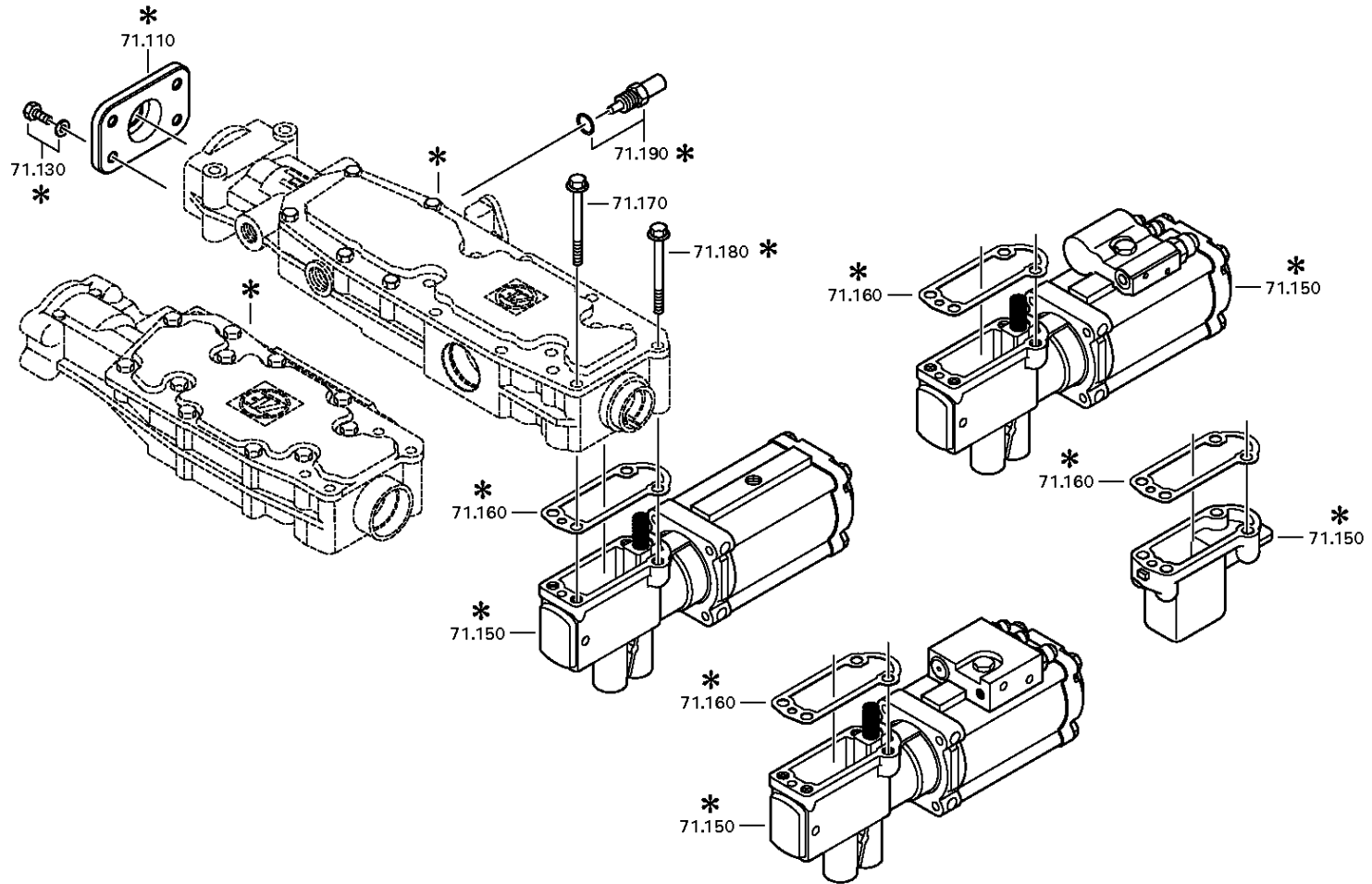
Material number: 1366.004.034

Plant: 062.08.30-1

END COVER



12 S 2333 TD /
END COVER



Plant

Page 2 from 2

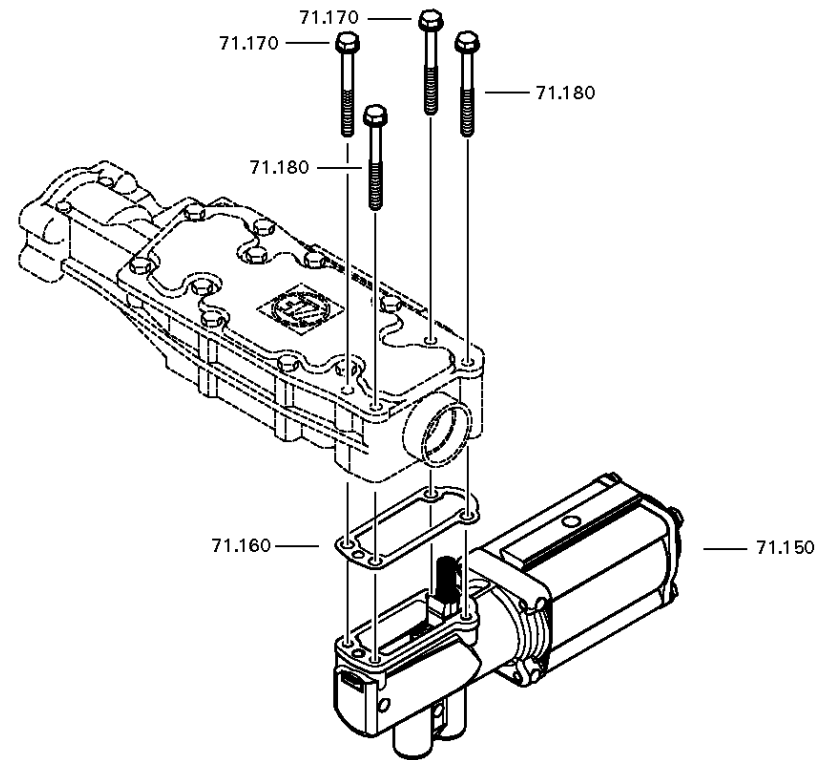
Material number: 1366.004.034

Plant: 068.08.19-1

END COVER



12 S 2333 TD /
END COVER



Plant

Page 1 from 2

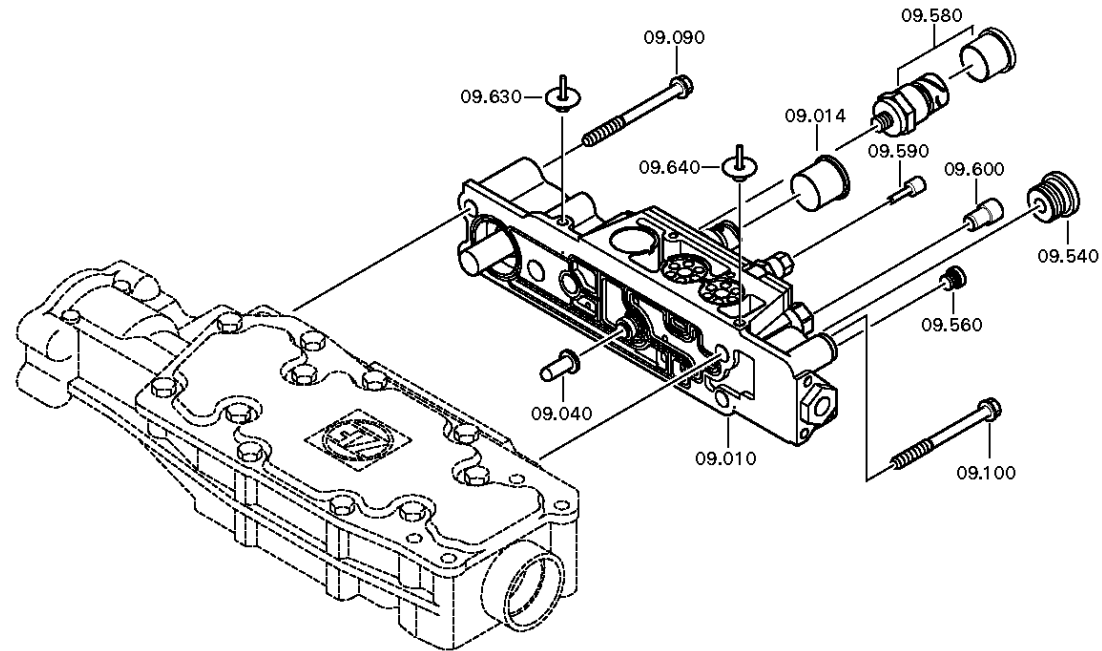
Material number: 1366.004.034

Plant: 161.09.12-1

VALVE BLOCK



12 S 2333 TD /
VALVE BLOCK



Plant

Page 2 from 2

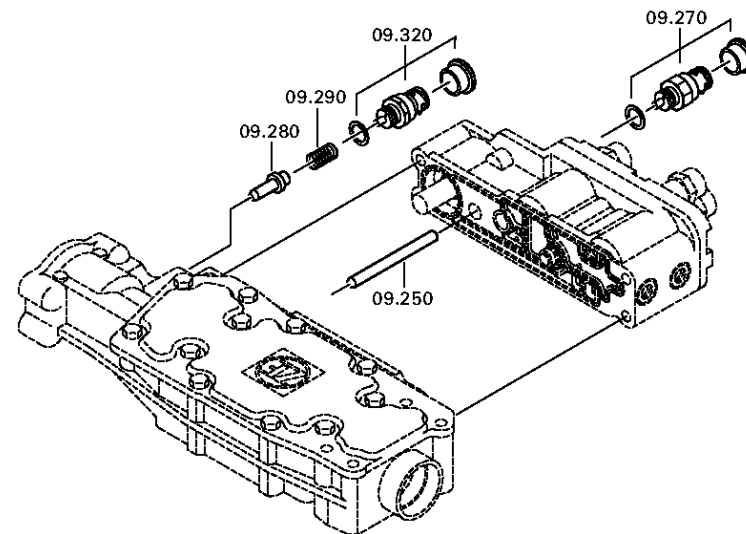
Material number: 1366.004.034

Plant: 161.09.03-1

VALVE BLOCK



12 S 2333 TD /
VALVE BLOCK



Plant

Page 1 from 2

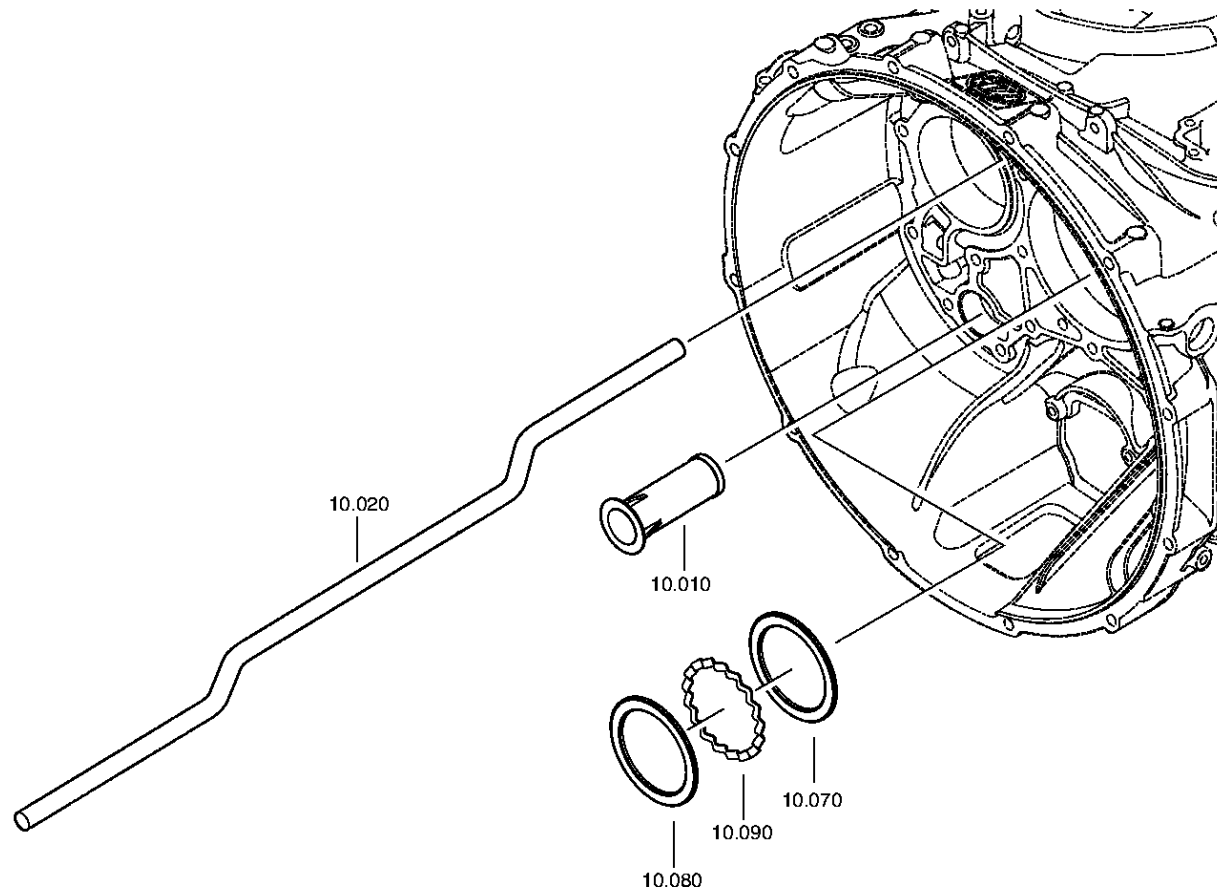
Material number: 1366.004.034

Plant: 161.10.02-1

OIL SUPPLY



12 S 2333 TD /
OIL SUPPLY



Plant

Page 2 from 2

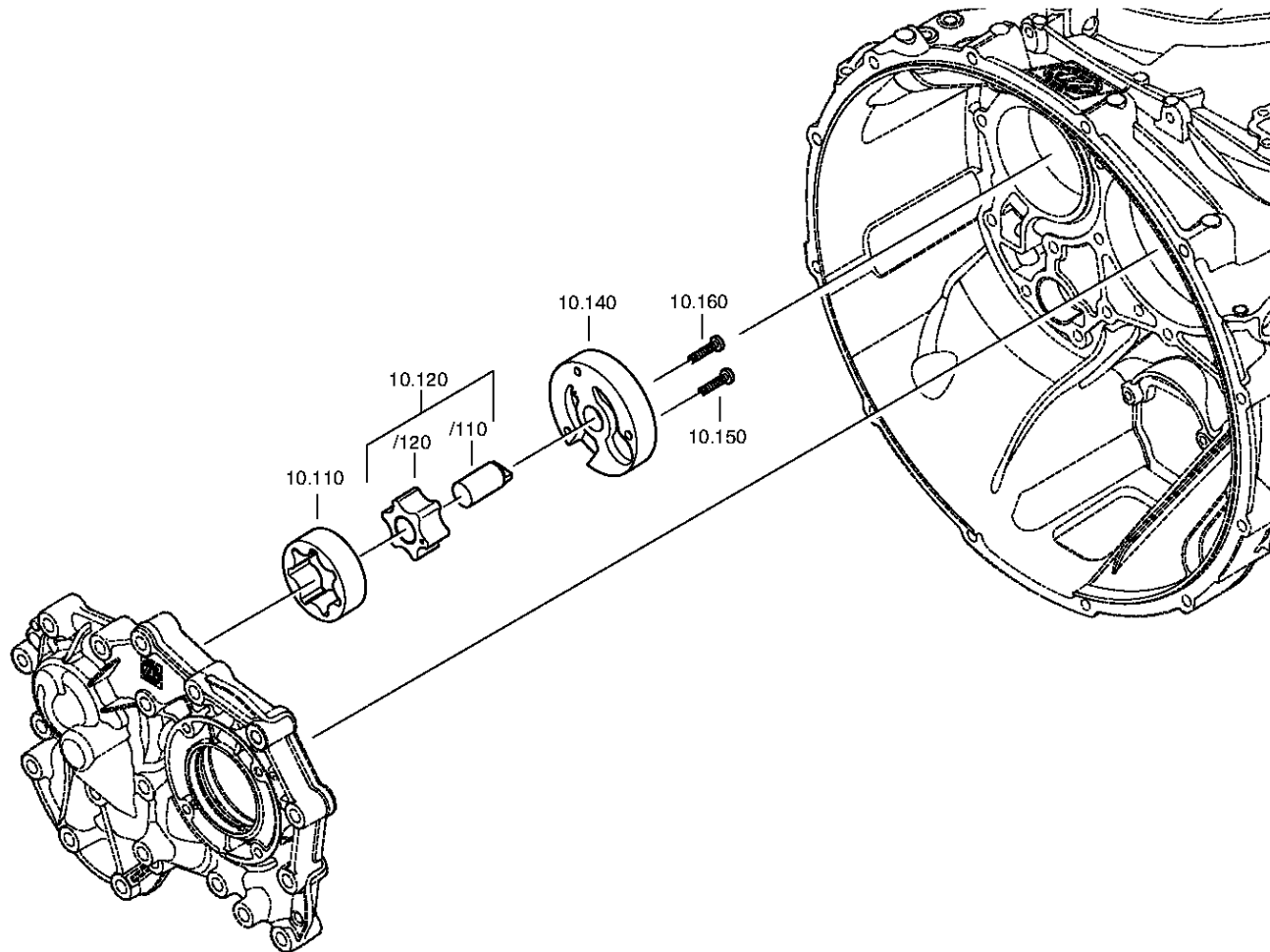
Material number: 1366.004.034

Plant: 161.10.01-1

OIL SUPPLY



12 S 2333 TD /
OIL SUPPLY



Plant

Page 1 from 1

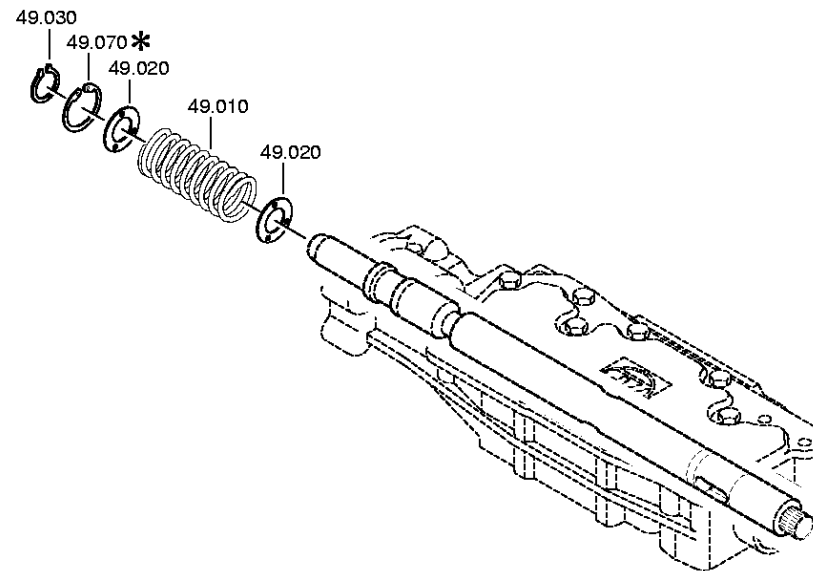
Material number: 1366.004.034

Plant: 068.12.24-1

Material-assembly-group-no: 1341.149.003



12 S 2333 TD /
SET OF SPRINGS



Plant

Page 1 from 1

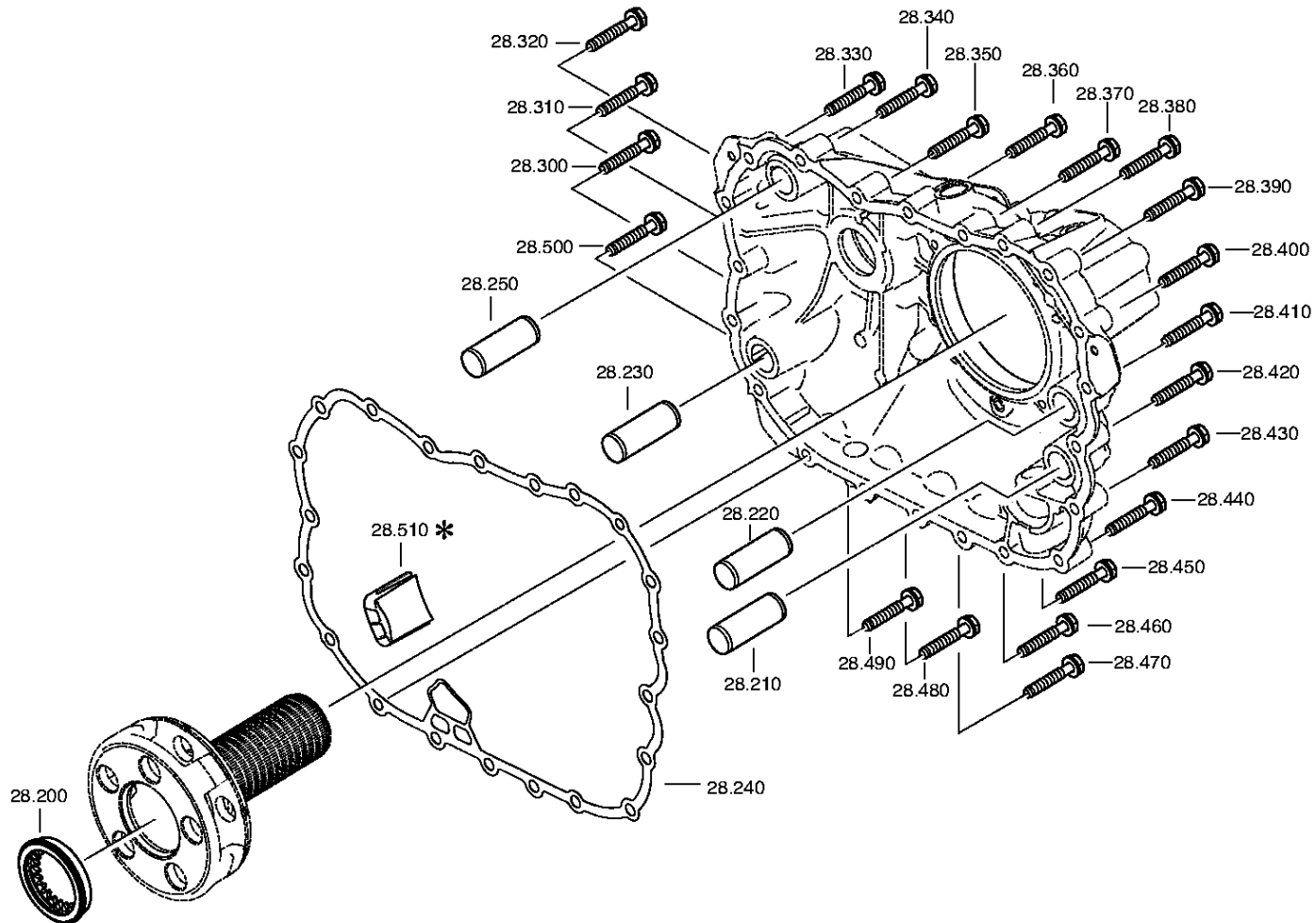
Material number: 1366.004.034

Plant: 161.28.01-1

Material-assembly-group-no: 1325.128.806



12 S 2333 TD /
PLANETARY RANGE



Plant

Page 1 from 3

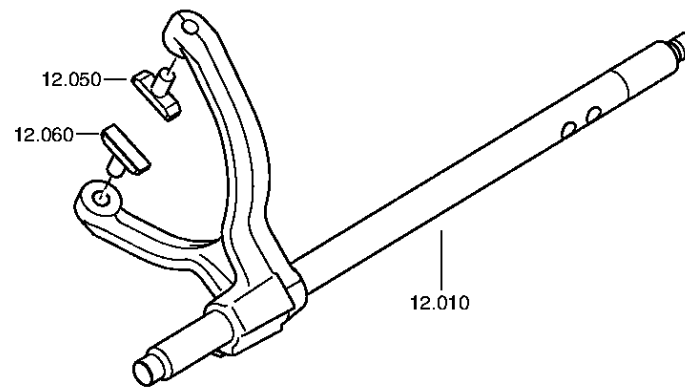
Material number: 1366.004.034

Plant: 161.40.01-1

GV-SHIFT SYSTEM



12 S 2333 TD /
GV-SHIFT SYSTEM



Plant

Page 2 from 3

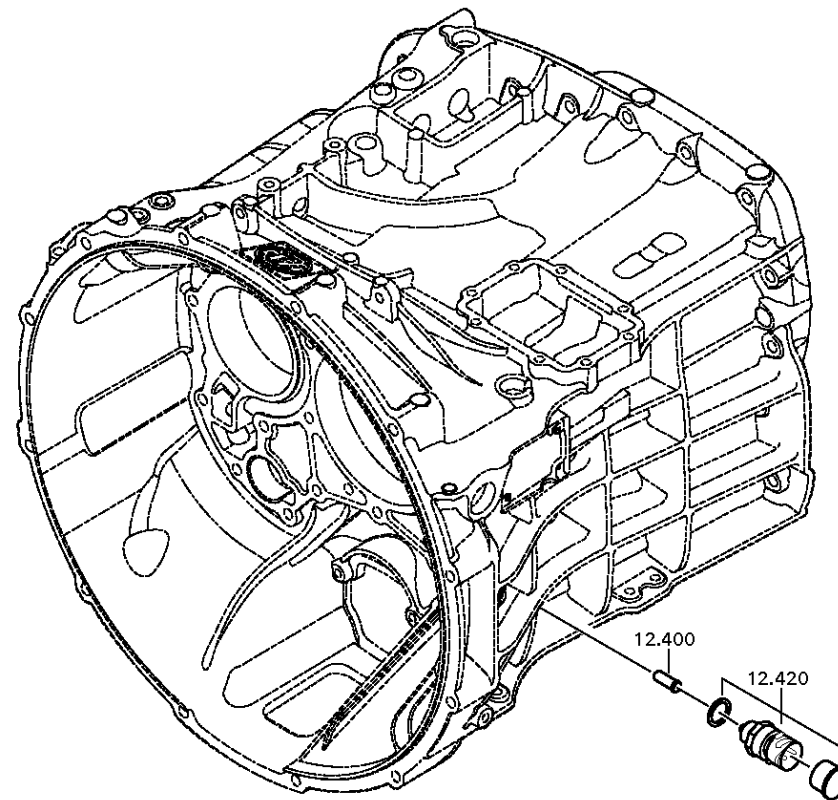
Material number: 1366.004.034

Plant: 161.40.41-1

GV-SHIFT SYSTEM



12 S 2333 TD /
GV-SHIFT SYSTEM



Plant

Page 3 from 3

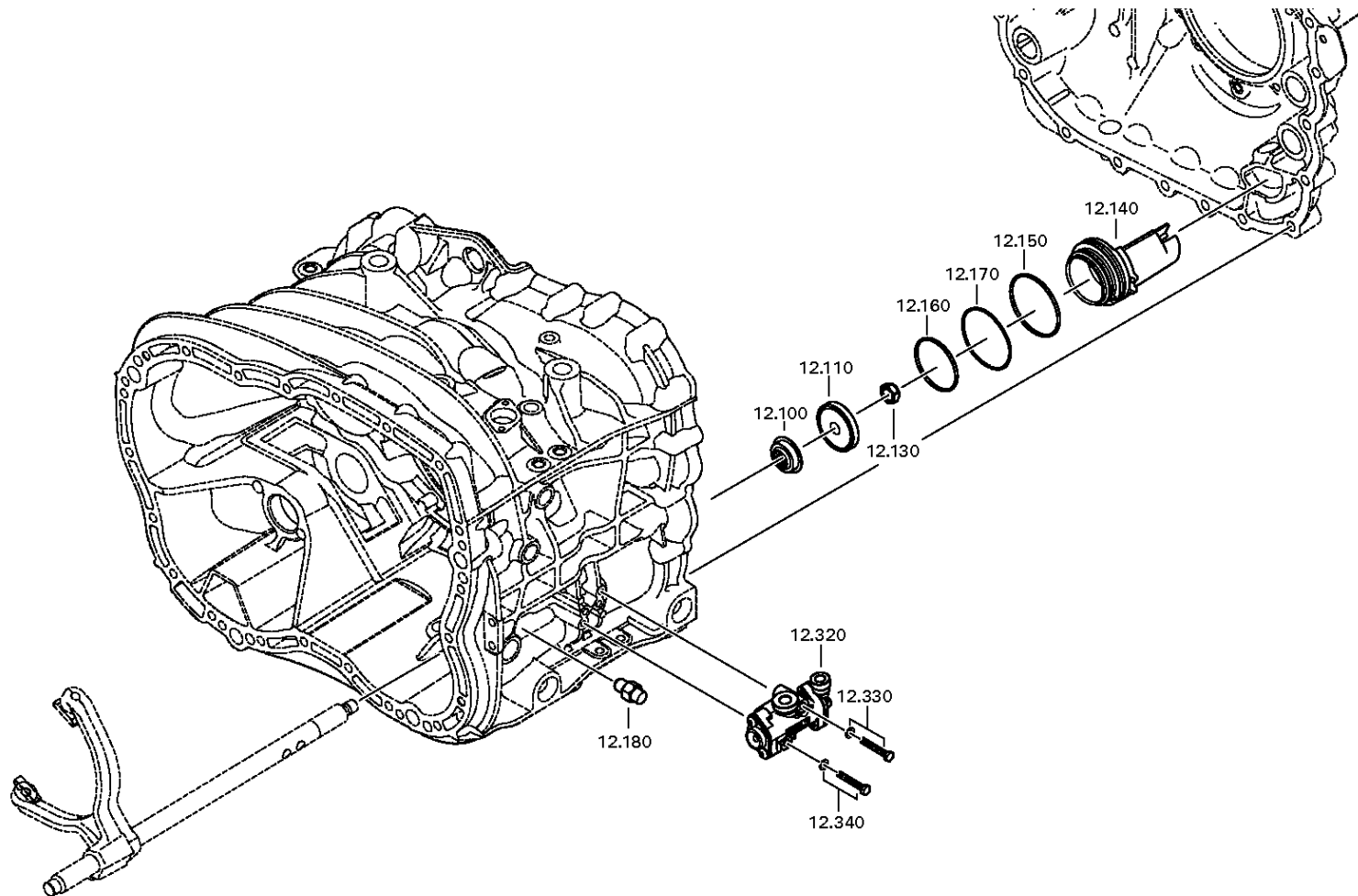
Material number: 1366.004.034

Plant: 161.40.80-1

GV-SHIFT SYSTEM



12 S 2333 TD /
GV-SHIFT SYSTEM



Plant

Page 1 from 2

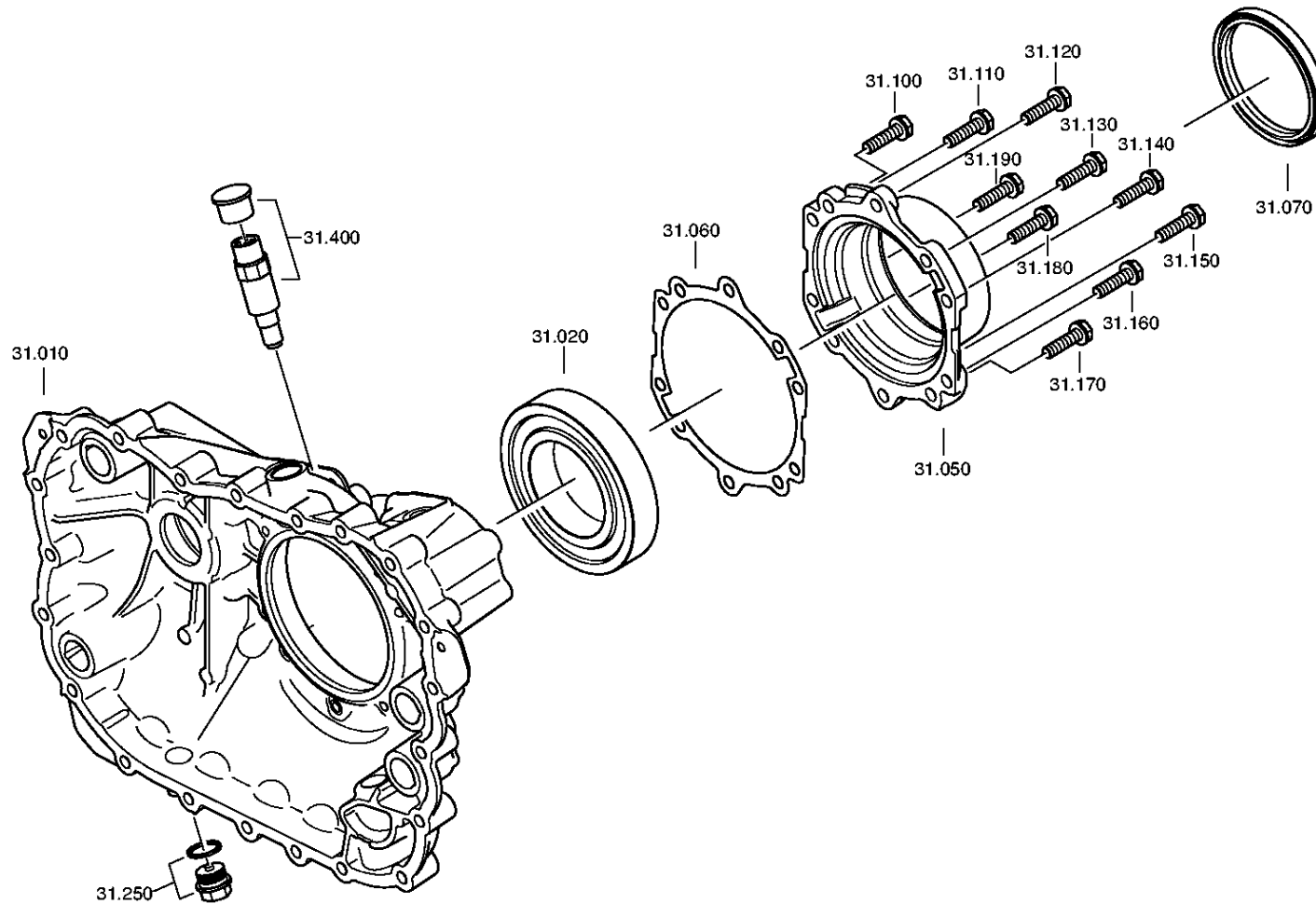
Material number: 1366.004.034

Plant: 161.43.01-1

RC HOUSING



12 S 2333 TD /
RC HOUSING



Plant

Page 2 from 2

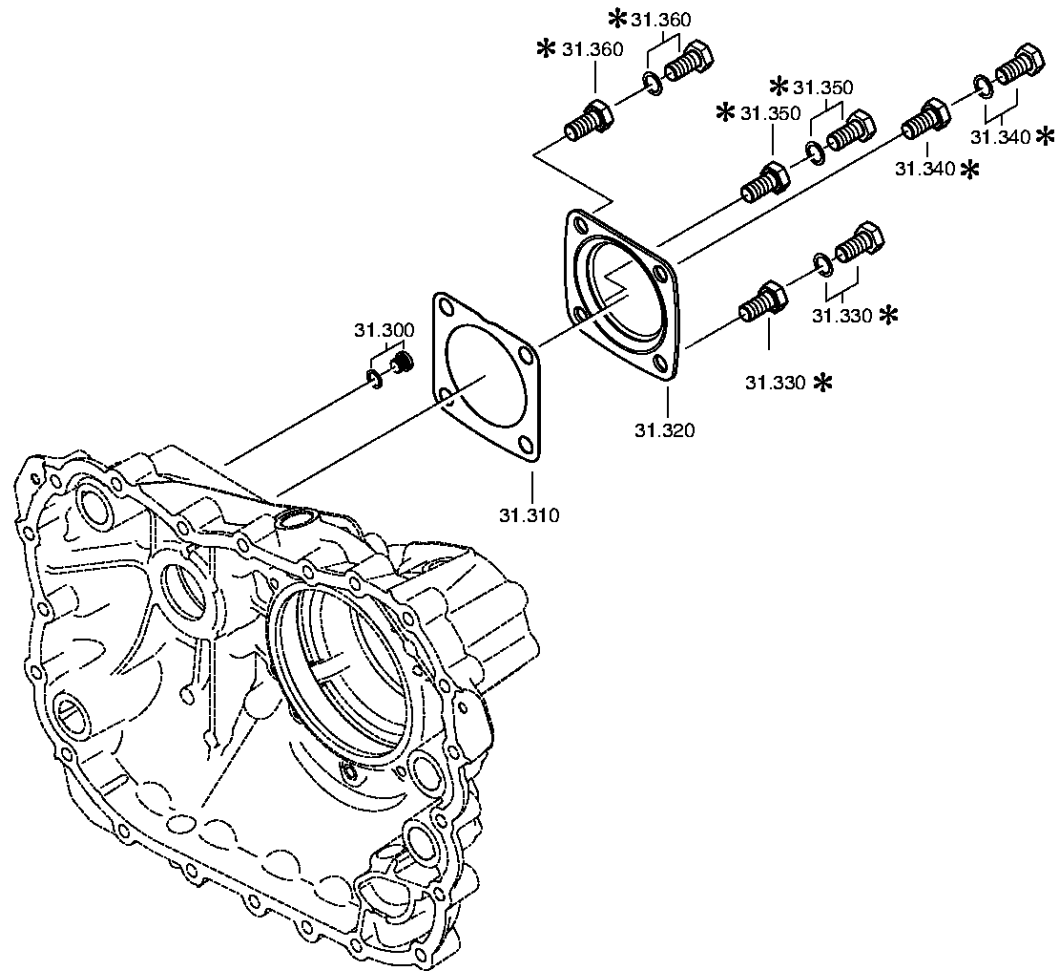
Material number: 1366.004.034

Plant: 161.43.40-1

RC HOUSING



12 S 2333 TD /
RC HOUSING



Plant

Page 1 from 2

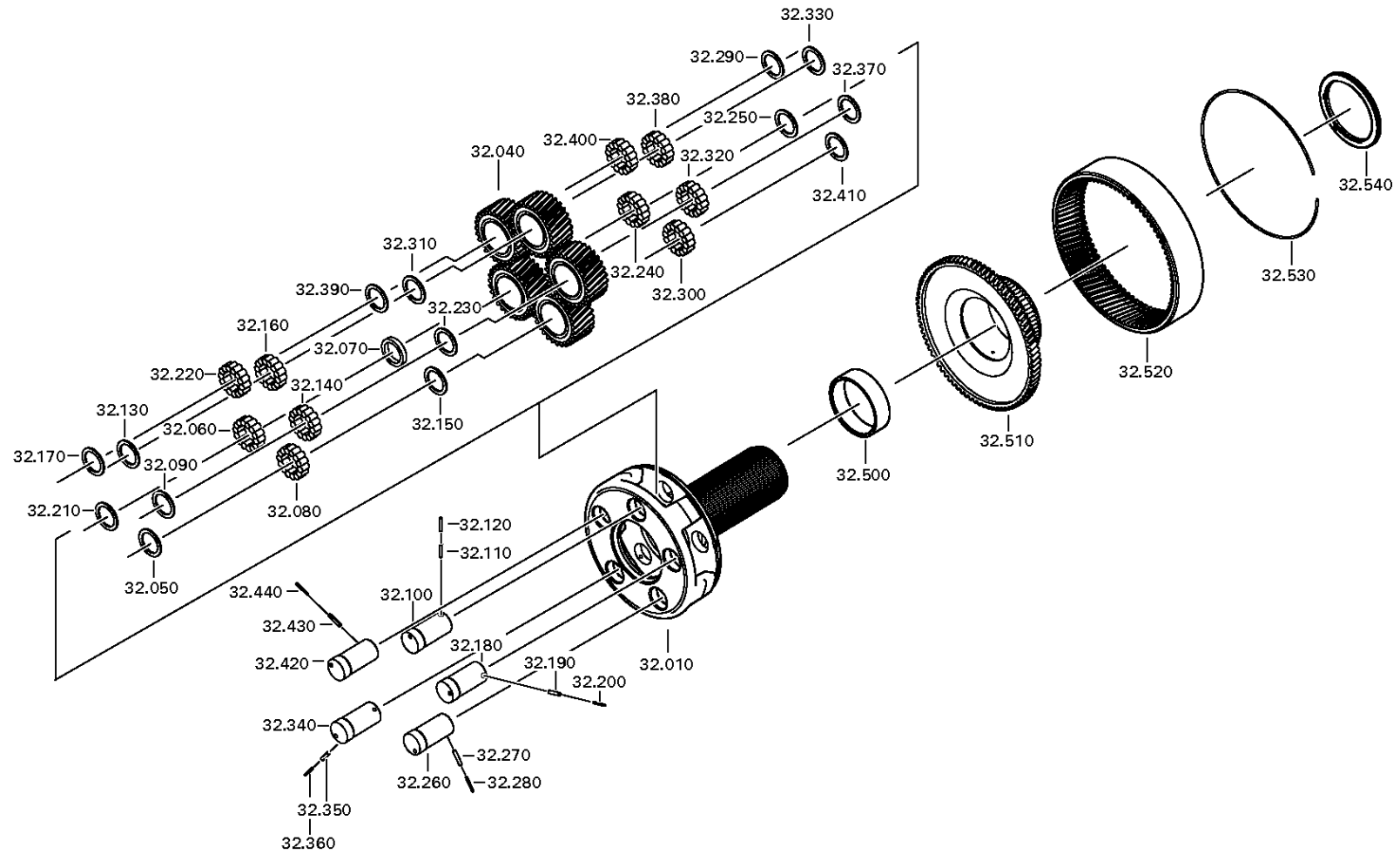
Material number: 1366.004.034

Plant: 161.44.03-1

PLANETARY DRIVE



12 S 2333 TD /
PLANETARY DRIVE



Plant

Page 2 from 2

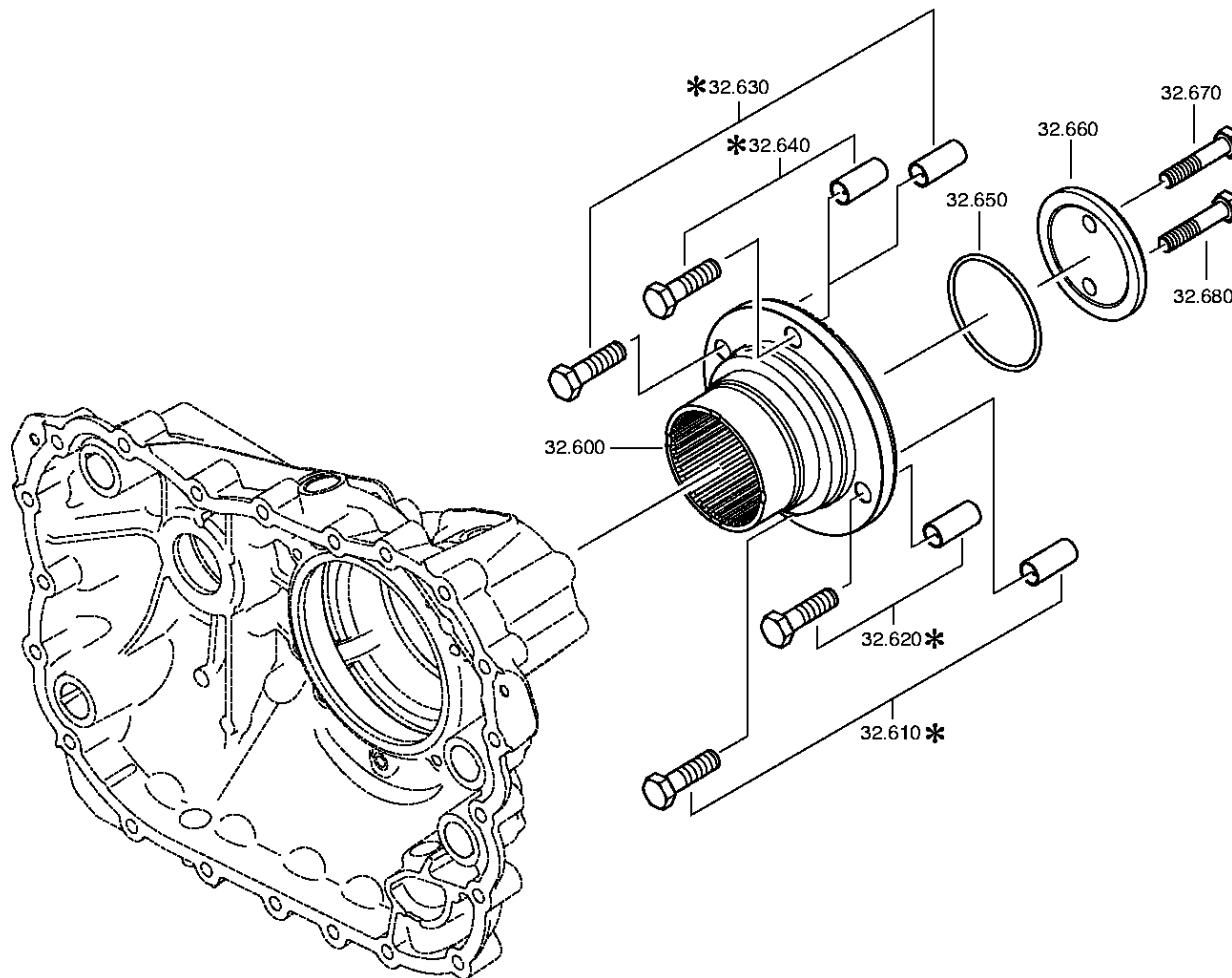
Material number: 1366.004.034

Plant: 161.44.40-1

PLANETARY DRIVE



12 S 2333 TD /
PLANETARY DRIVE



Plant

Page 1 from 1

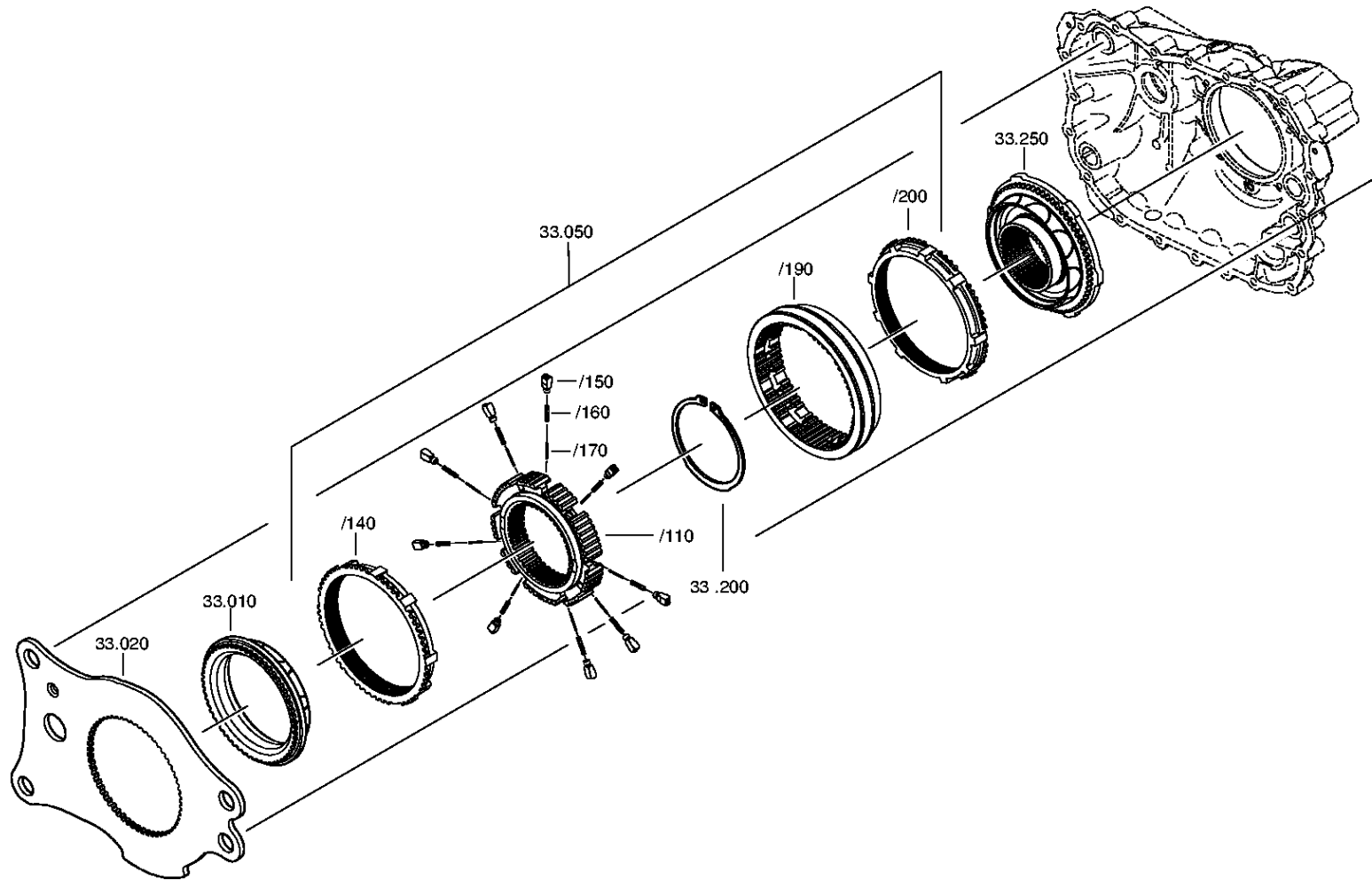
Material number: 1366.004.034

Plant: 161.45.01-1

Material-assembly-group-no: 1325.133.004



12 S 2333 TD /
SYNCHRONIZER



Plant

Page 1 from 2

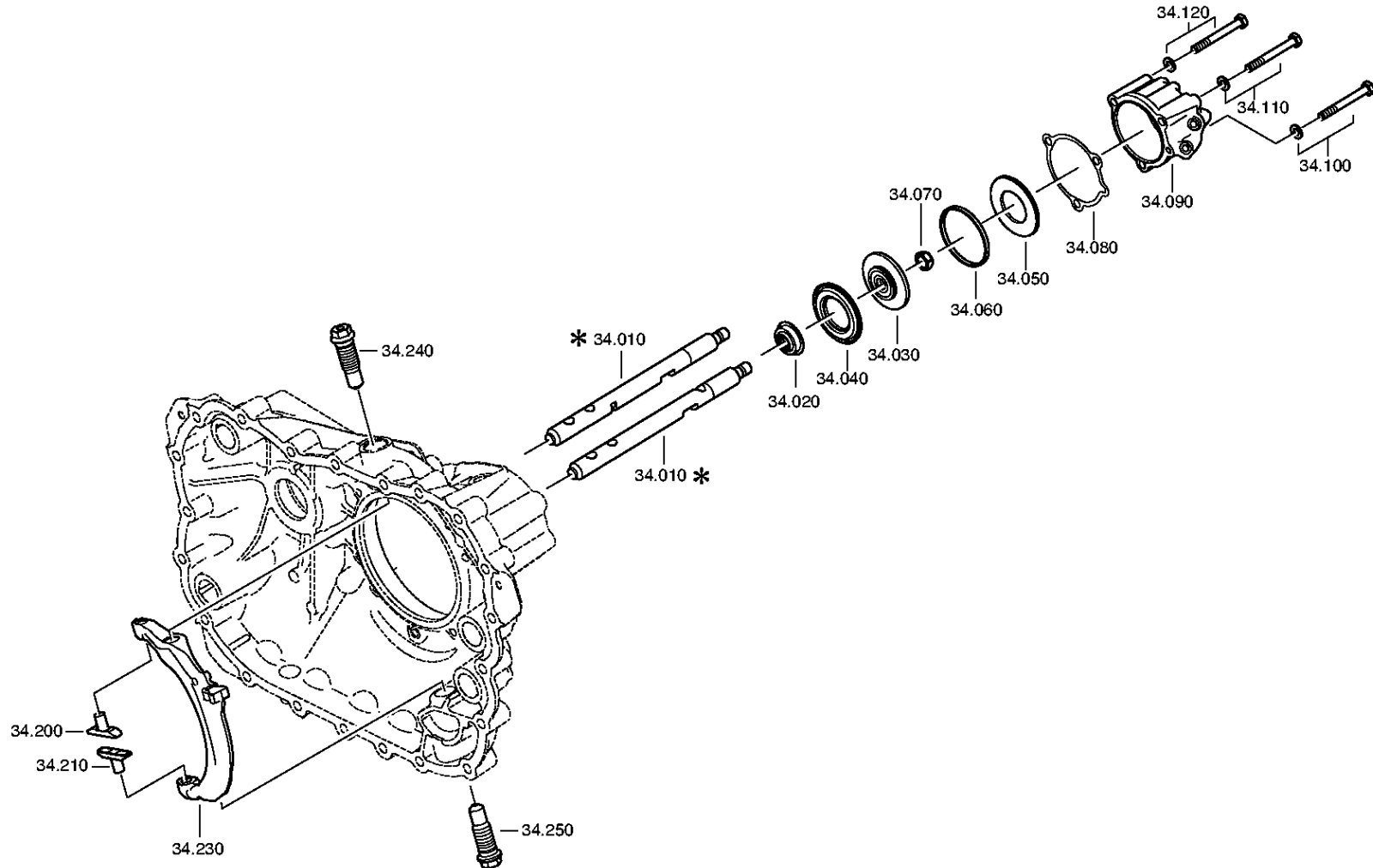
Material number: 1366.004.034

Plant: 161.46.01-1

GP SHIFT SYSTEM



12 S 2333 TD /
GP SHIFT SYSTEM



Plant

Page 2 from 2

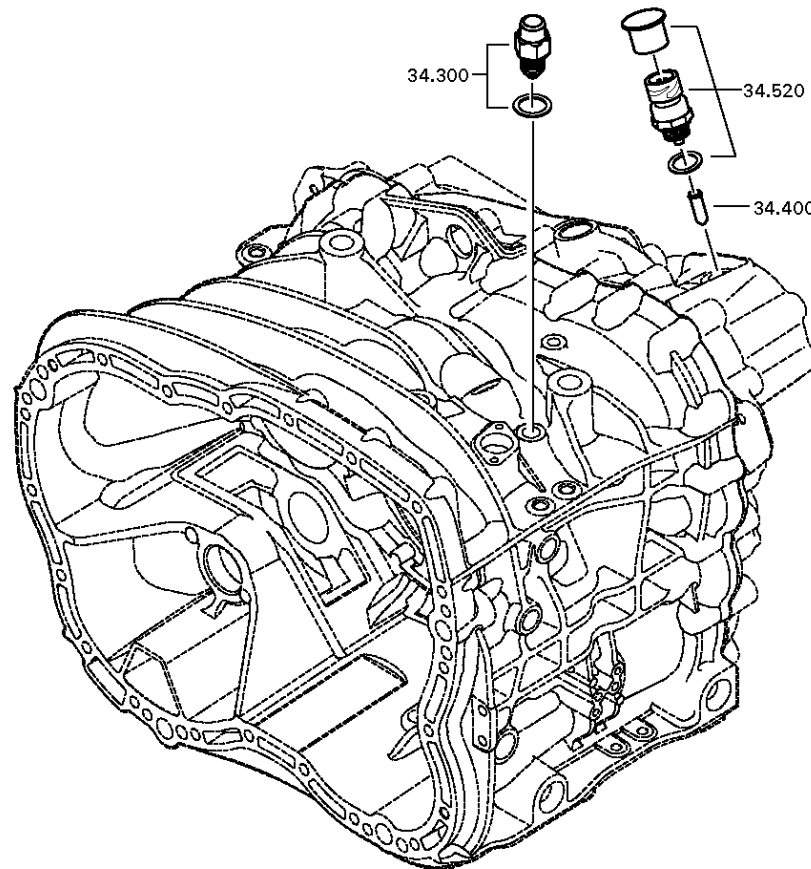
Material number: 1366.004.034

Plant: 161.46.40-1

GP SHIFT SYSTEM



12 S 2333 TD /
GP SHIFT SYSTEM



Plant

Page 1 from 1

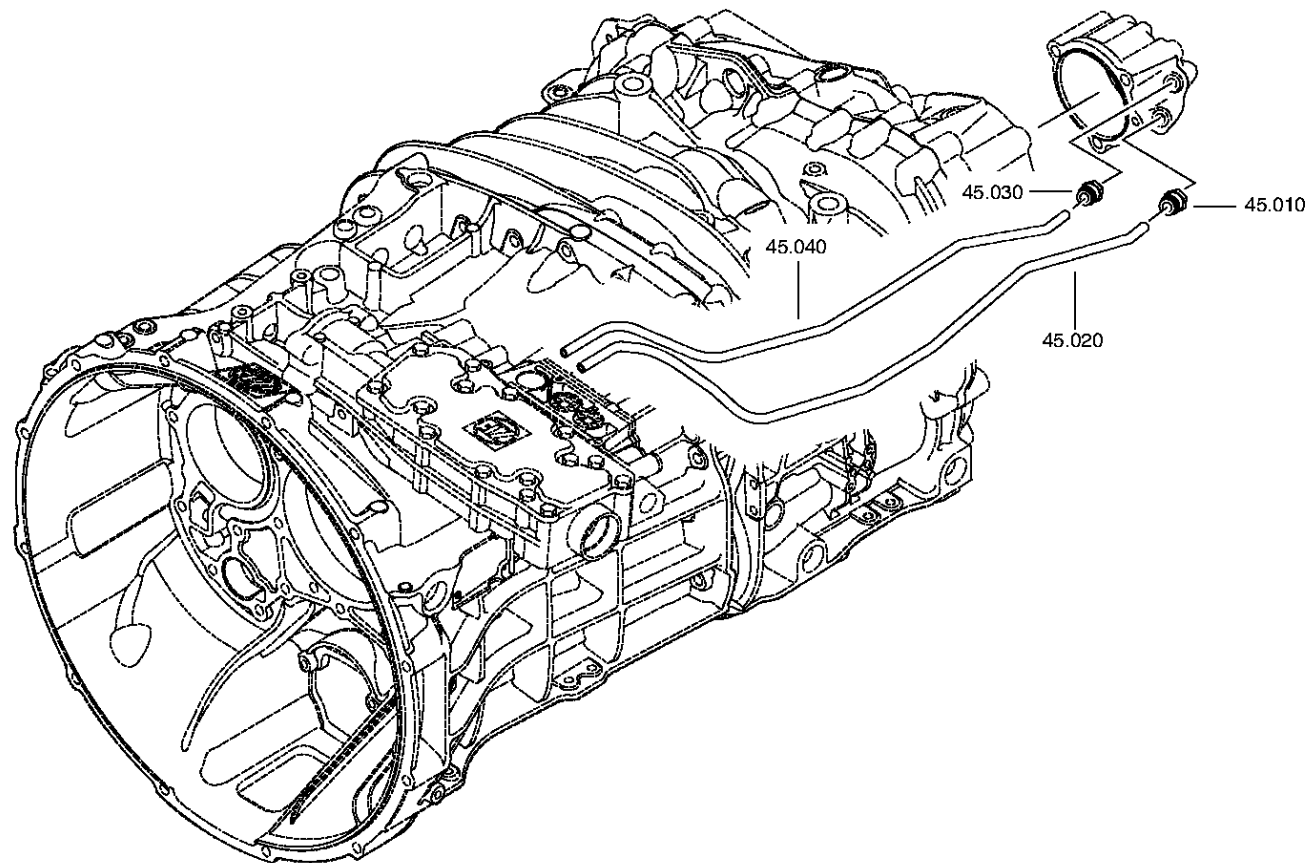
Material number: 1366.004.034

Plant: 161.57.01-1

Material-assembly-group-no: 1325.145.003



12 S 2333 TD /
RANGE SELECTION



Plant

Page 1 from 1

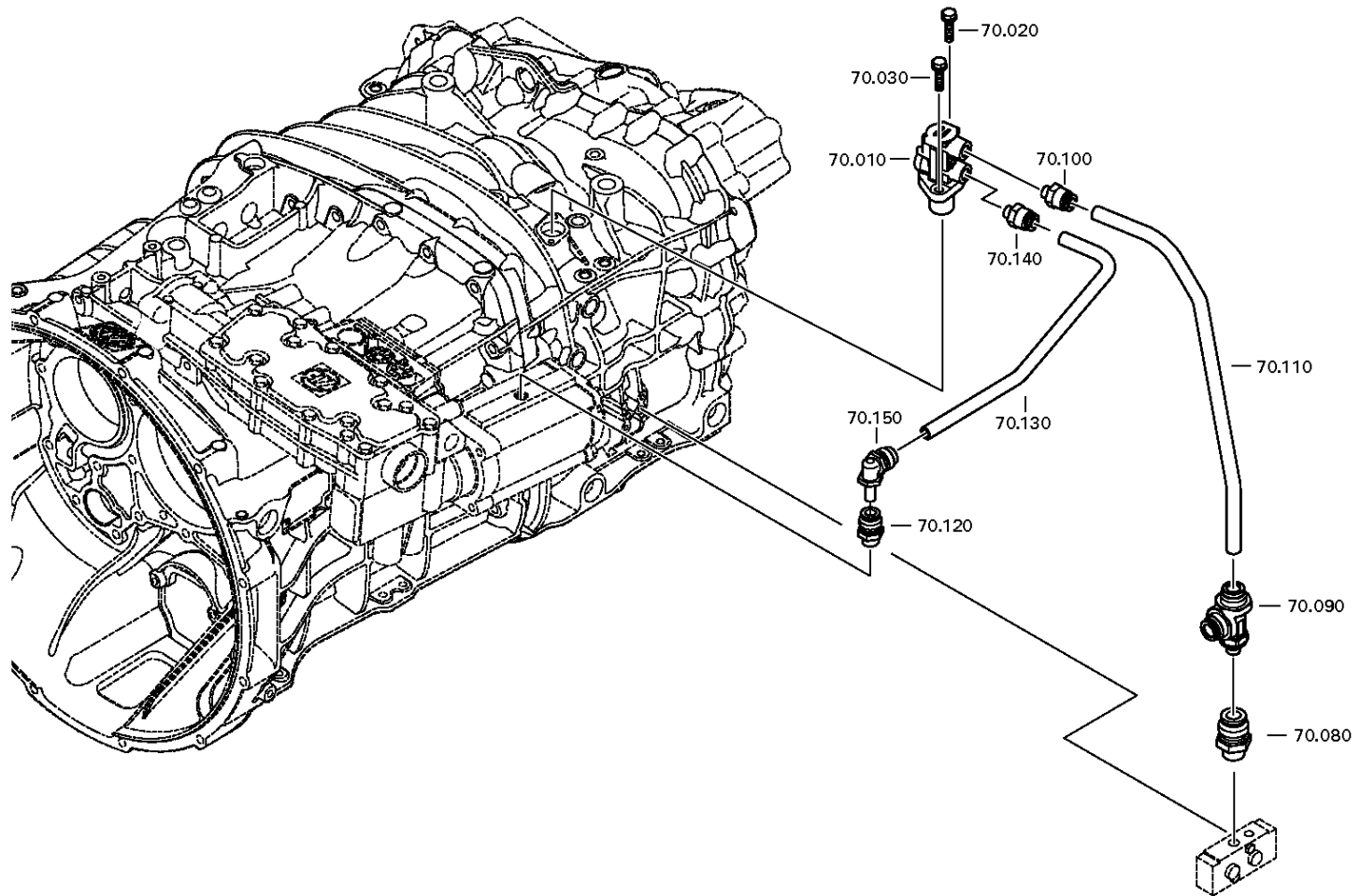
Material number: 1366.004.034

Plant: 161.70.02-1

Material-assembly-group-no: 1325.170.005



12 S 2333 TD /
SHUT-OFF VALVE



Plant

Page 1 from 1

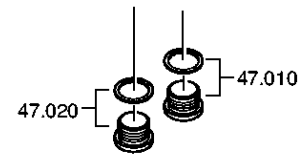
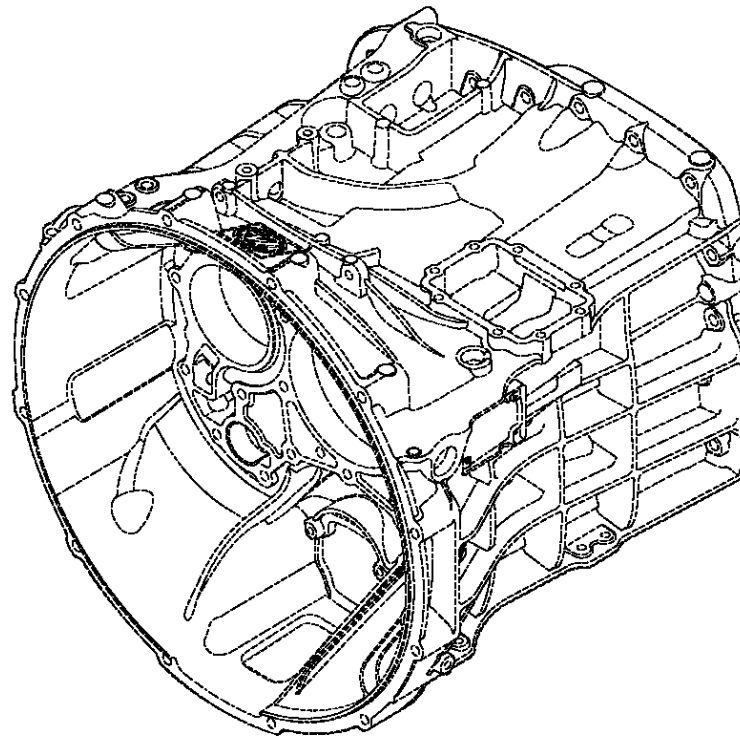
Material number: 1366.004.034

Plant: 161.90.08

Material-assembly-group-no: 1325.147.009



12 S 2333 TD /
SCREW PLUG



Plant

Page 1 from 2

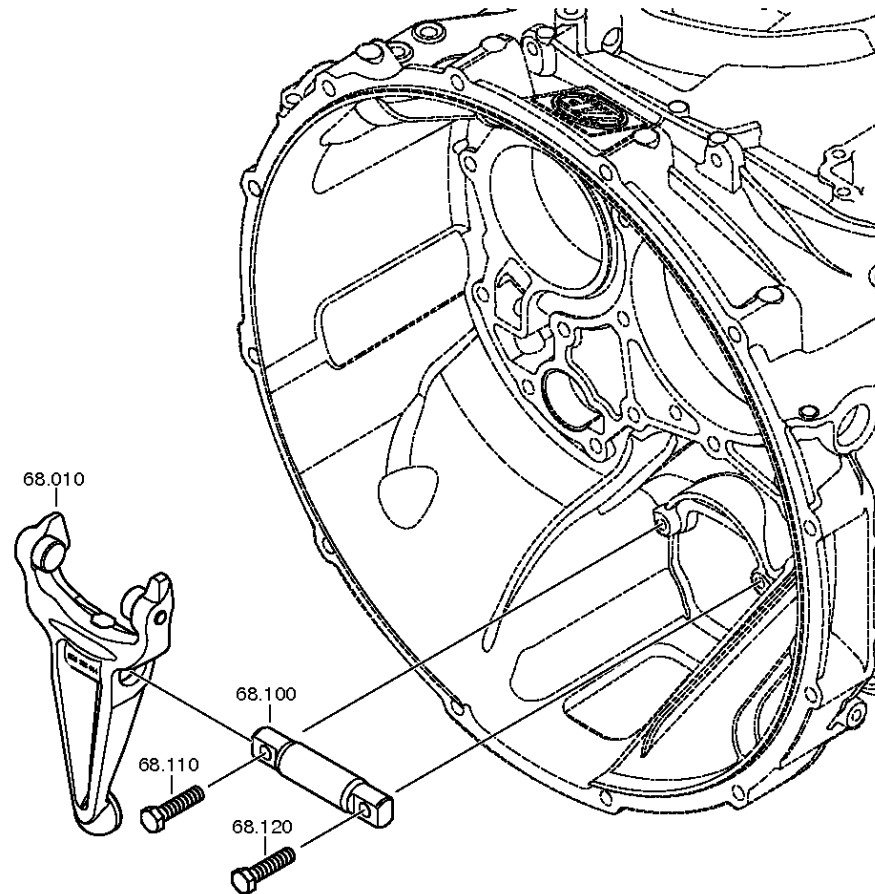
Material number: 1366.004.034

Plant: 161.93.25-1

CLUTCH RELEASE DEVICE



12 S 2333 TD /
CLUTCH RELEASE DEVICE



Plant

Page 2 from 2

Material number: 1366.004.034

Plant: 161.93.17-1

CLUTCH RELEASE DEVICE



12 S 2333 TD /
CLUTCH RELEASE DEVICE

