



# Spare Parts Catalog

TPT 20

Material number: 2093.019.006

Current date: 12.11.2020

ZF Friedrichshafen AG  
Hauptverwaltung  
80038 Friedrichshafen  
Deutschland

Telefon: +49 7541 77-0

Telefax: +49 7541 77-908000

[www.zf.com](http://www.zf.com)

zuständiges Werk:  
Passau

# Notes relating to the spare parts catalog

## Setup of the spare parts catalog

- Cover sheet
- Technical Cover (only in SDM print)
- Overview of figures
- Figure
- Associated parts list
- Next figure
- Associated parts list
- ...

## Figure and parts list



## Overview of figures

Bildtafel Figure	Sachnummer Product number	Benennung (Description)	Technische Info Technical info	Description (Benennung)	Menge Quantity	Einheit Unit
068.08.17	1316.170.001	AUSLEGER	WL	SHIFT TURRET	1	Stk
068.08.06	1316.170.031	DECKEL	WL*H-H *VM	COVER	1	Stk
068.08.14	1316.170.808	DECKEL	WL*AUSL+GEH*H-H*HF160N	COVER	1	Stk
08	1316.170.441	ANSCHLUSSTEILE	WL*NG-VORB*RG-SCHL*168N *BAJONETT	CONNECTING PARTS	1	Stk

The "gap" indicates that there is no separate graphics panel (poster) for this assembly  
The parts of this assembly are shown with the same mid-section number on the figure

### 1 Positions and subpositions

Pos.	Sachnummer Product number	Benennung (Description)	Technische Info Technical info	Description (Benennung)	Menge Quantity	Einheit Unit
0370	1315.201.054	RUECKLAUFBOLZEN	KPL.16S151*SG*L= 79	REV.IDLER SHAFT	1	Stk
/0120	0631.329.293	SPANNSTIFT		SLOT. PIN	1	Stk

Positions marked with "/" are the individual items of a completion  
For example: Position 0370 contains a centering pin with the position /0120

### 2 Combinations with standardized parts

Pos.	Sachnummer Product number	Benennung (Description)	Technische Info Technical info	Description (Benennung)	Menge Quantity	Einheit Unit
0630		VERSCHL.SCHR.		SCREW PLUG	1	Stk
	0636.302.067	VERSCHL.SCHR.		SCREW PLUG	1	Stk
	0634.801.249	DICHTRING	A 26 X 31	SEALING RING	1	Stk

The parts list shows the components included in the combination of standardized parts

### 3 Depiction of position/item number on the figure and in the parts list

01.620 - on the figure      01 relates to the assembly in which the position is included. Due to program-related reasons, it is shown on the figure.

0620 - in the parts list

Pos.	Sachnummer Product number	Benennung (Description)	Technische Info Technical info	Description (Benennung)	Menge Quantity	Einheit Unit
0620	0732.040.736	DRUCKFEDER		COMPRESSION SPRING	1	Stk

### 4 \*-Positions

Positions marked with an \* are optional i.e. inclusion in the parts list is not mandatory.  
The following note is shown on the figure

je nach Stücklistenausführung  
depending on spec. number  
\*  
suivant la nomenclature  
secondo la distinta base

### 5 Parts, dotted display

Parts with dotted display on the figure are only used for orientation of other parts

# Technical Cover

Page 1 from 1

Material number: 2093.019.006



TPT 20 /

Pos.	Information	Amendment number
	STUECKLISTE	
	TRIEBWERKSBEZEICHNUNG	
	KUNDE	
	KUNDEN-NR.	
	LIEFERUMFANG	
	ELEKTRONISCHES STEUERGERAET	
	GRUNDIERUNG	
	GESAMT-TROCKENMASSE	
	TECHNISCHE SPEZIFIKATION	
	ÖLSORTE GETRIEBE:	
	FÜLLMENGE GETRIEBEÖL:	
	ÖLSORTE HINTERACHSTRICHTER:	
	FÜLLMENGE JE HINTERACHSTRICHTER:	
	HYDRAULIKSCHEMA:	
	STROMLAUFPLAN:	
	EINBAUZEICHNUNG:	

# Assembly group overview

Page 1 from 1

Material number: 2093.019.006



Picture	Pos.	Material number	Name	Quantity	Amend. no.	Techn. Info.
209302900600	10	2093.029.006	TPG 20	1		
209307002200	20	2093.070.022	TRA 20	1		

# Picture

Page 1 from 1

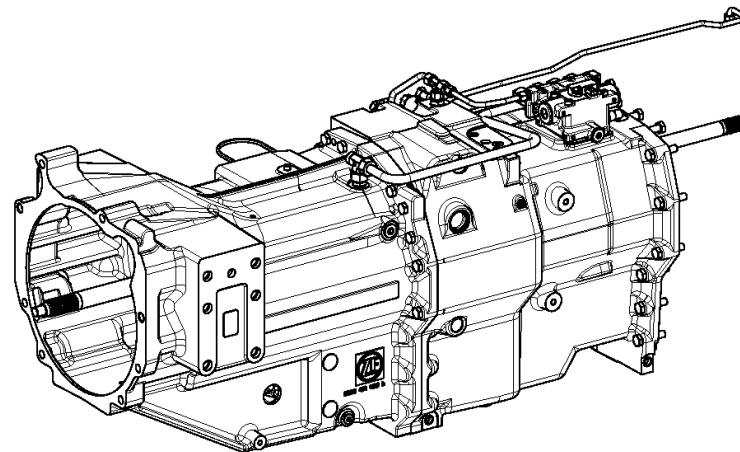
Material number: 2093.019.006

Picture: 209302900600

Material-assembly-group-no: 2093.029.006



TPT 20 /  
TPG 20



# Picture

Page 1 from 1

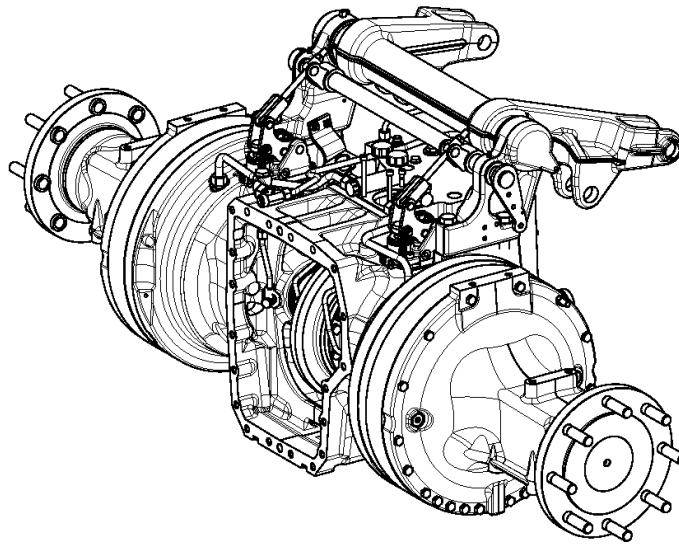
Material number: 2093.019.006

Picture: 209307002200

Material-assembly-group-no: 2093.070.022



TPT 20 /  
TRA 20



# Picture

Page 1 from 1

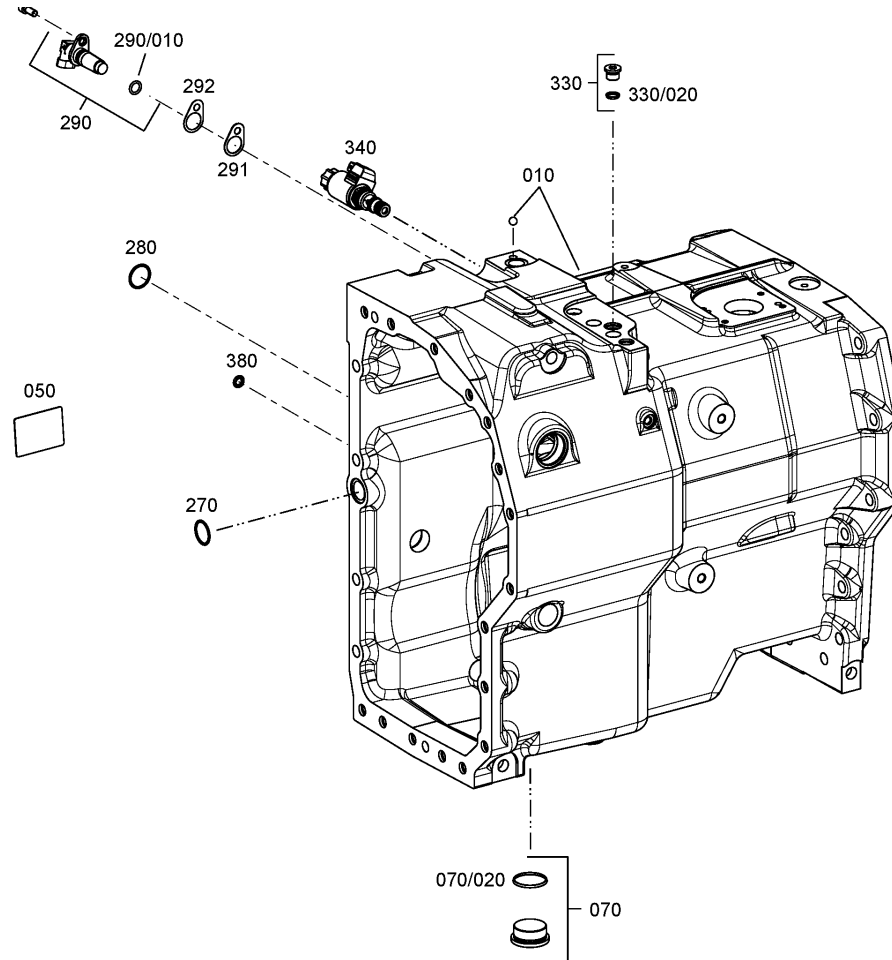
Material number: 2093.029.006

Picture: 209310106100

Material-assembly-group-no: 2093.101.061



TPT 20 /  
HOUSING



# Picture

Page 1 from 1

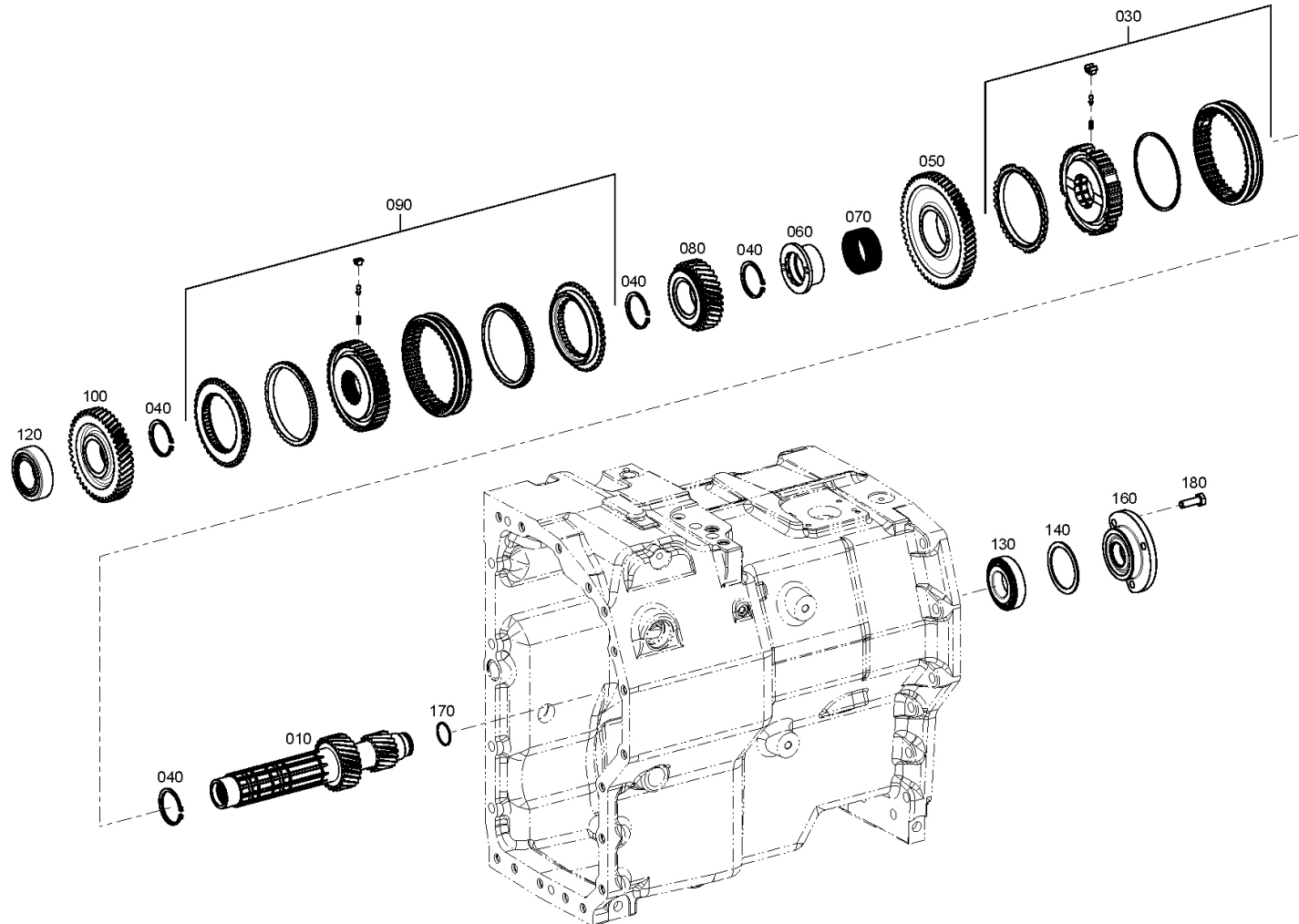
Material number: 2093.029.006

Picture: 209310304200

Material-assembly-group-no: 2093.103.042



TPT 20 /  
COUNTERSHAFT





# Picture

Page 1 from 1

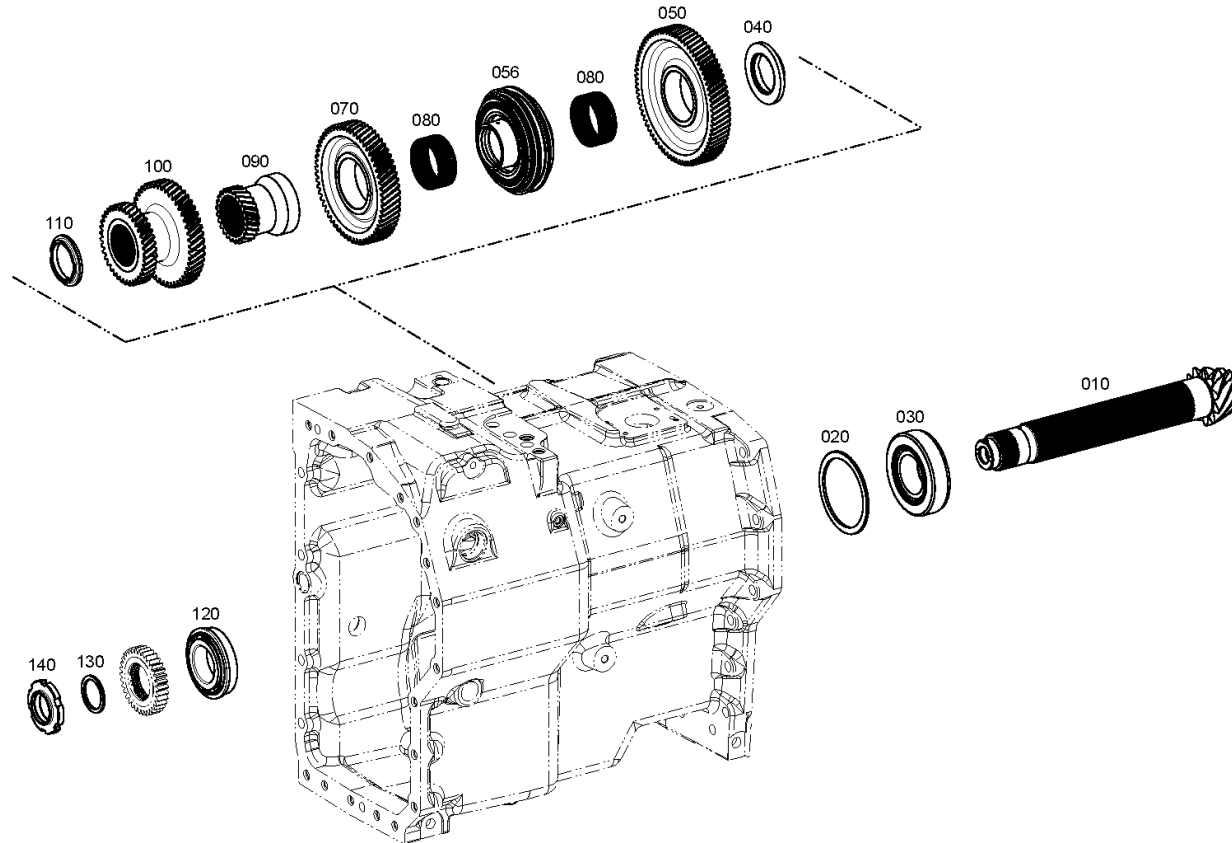
Material number: 2093.029.006

Picture: 209310403100

Material-assembly-group-no: 2093.104.031



TPT 20 /  
MAIN SHAFT



# Picture

Page 1 from 1

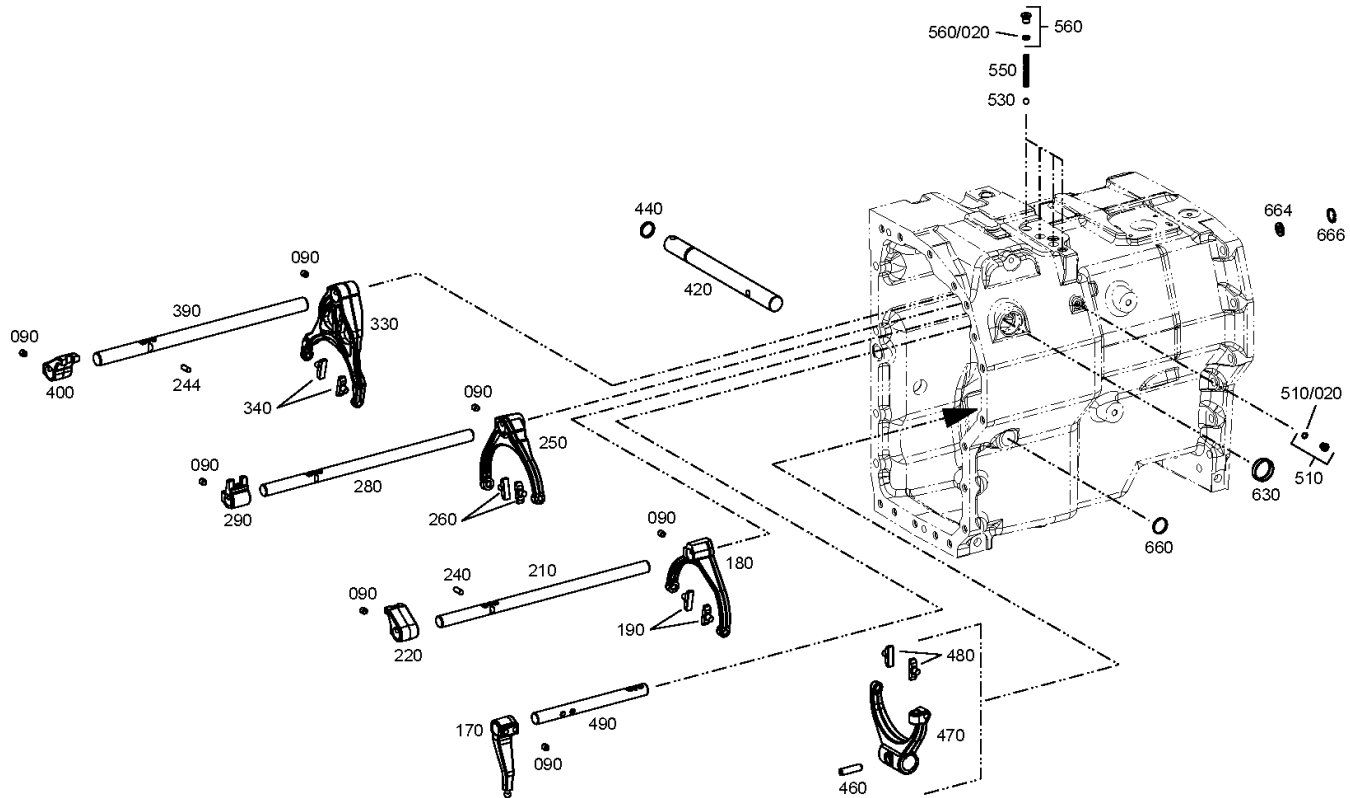
Material number: 2093.029.006

Picture: 209310605300

Material-assembly-group-no: 2093.106.053



TPT 20 /  
SHIFT SYSTEM



# Picture

Page 1 from 1

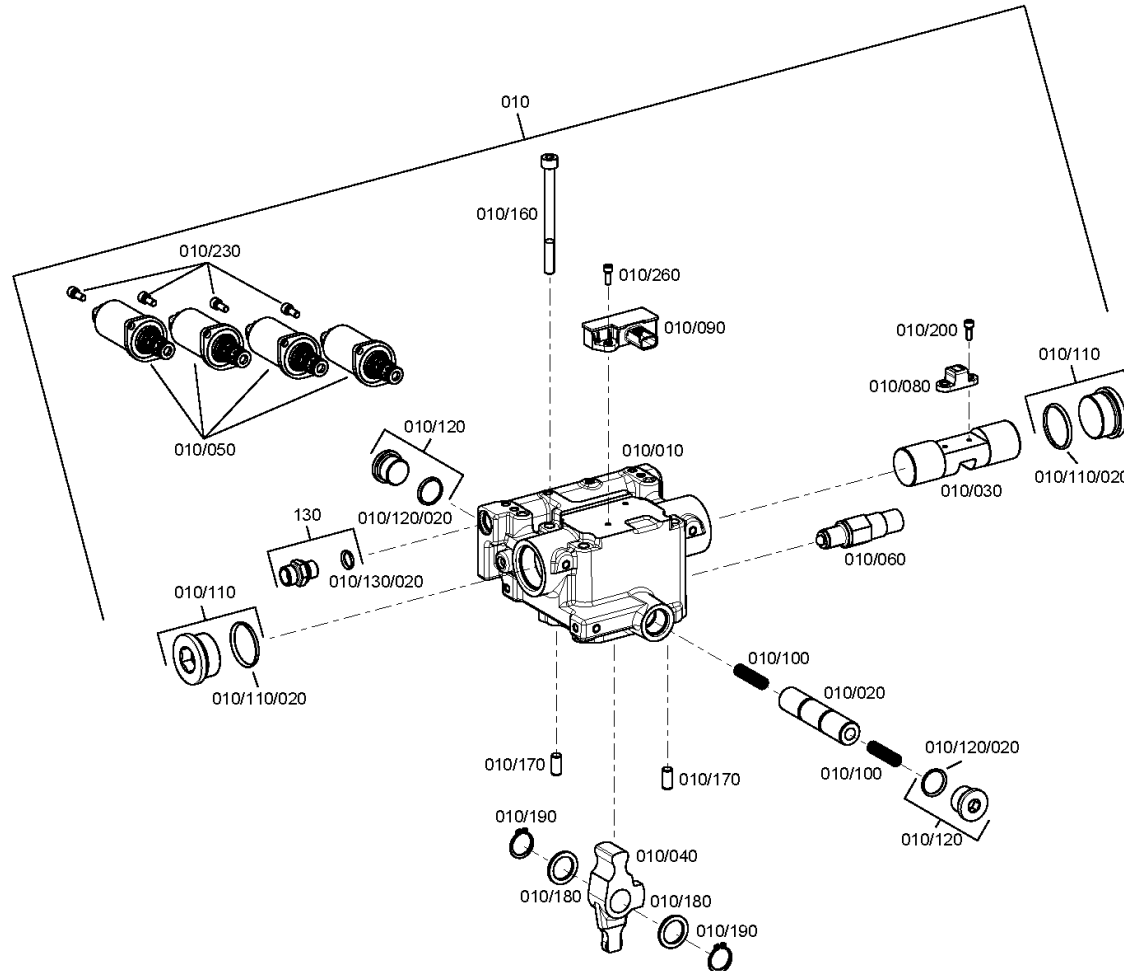
Material number: 2093.029.006

Picture: 209315300100

Material-assembly-group-no: 2093.153.001



TPT 20 /  
HYDR.CONTROL



# Picture

Page 1 from 1

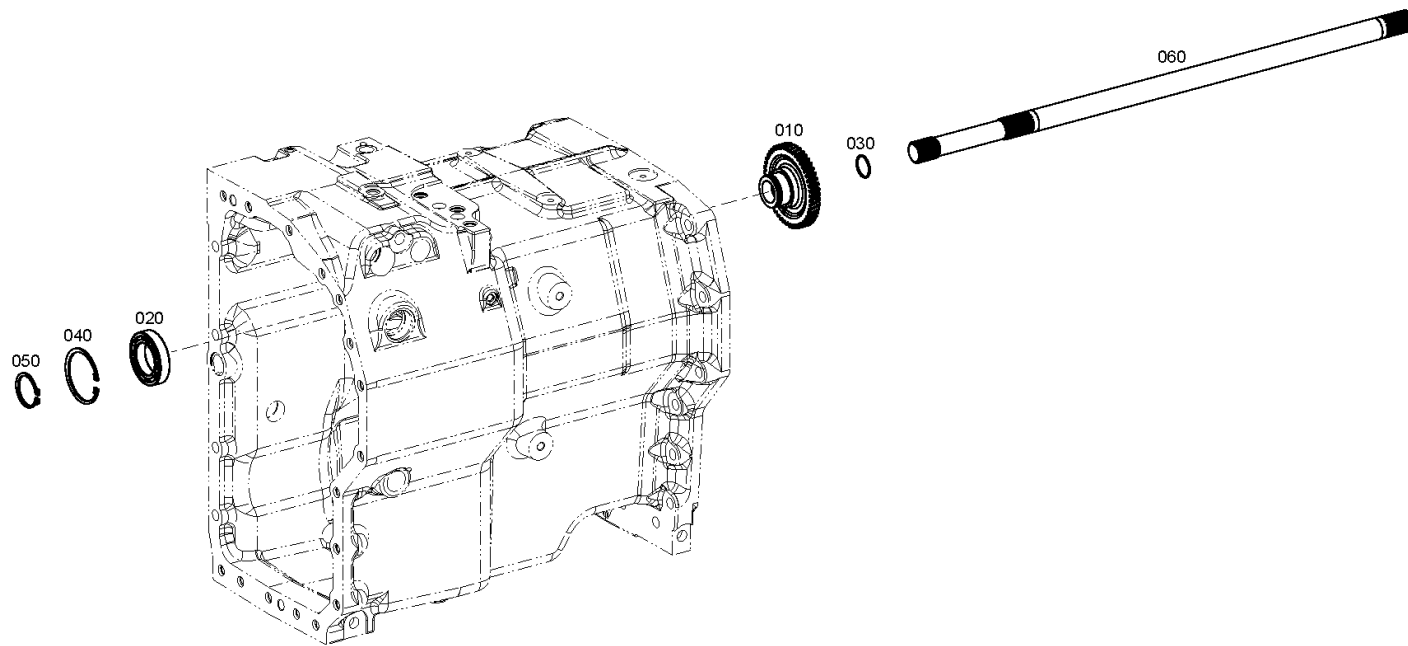
Material number: 2093.029.006

Picture: 209311002400

Material-assembly-group-no: 2093.110.024



TPT 20 /  
P.T.O. SHAFT



# Picture

Page 1 from 1

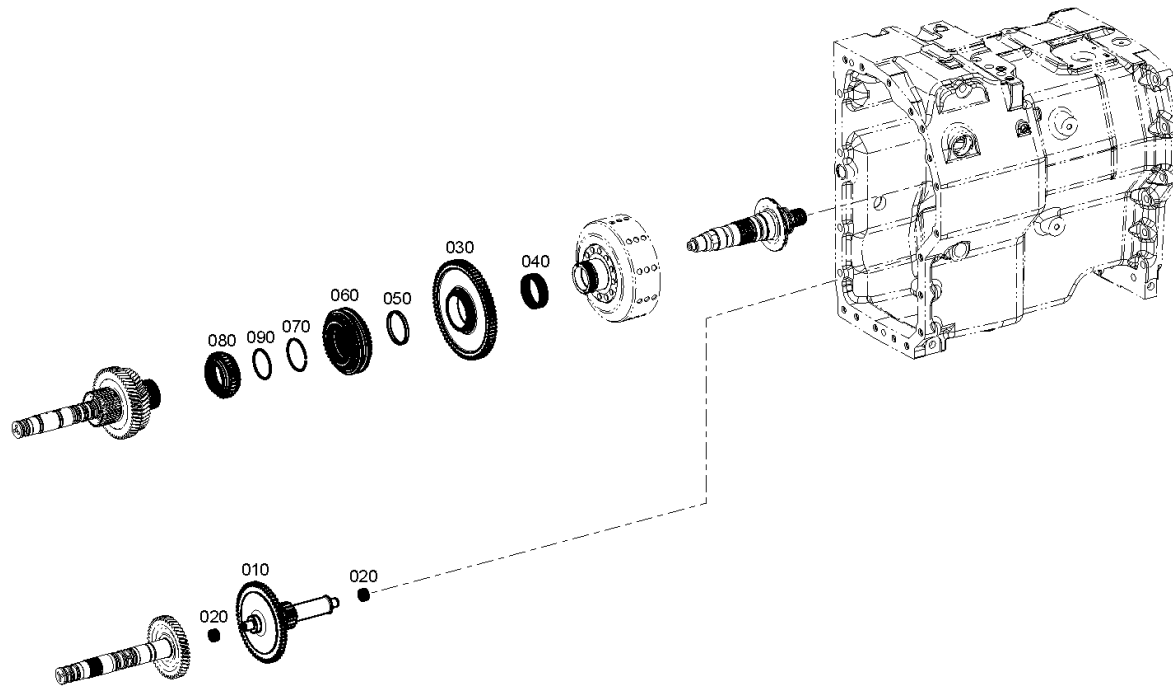
Material number: 2093.029.006

Picture: 209311401000

Material-assembly-group-no: 2093.114.010



TPT 20 /  
CRAWLER



# Picture

Page 1 from 2

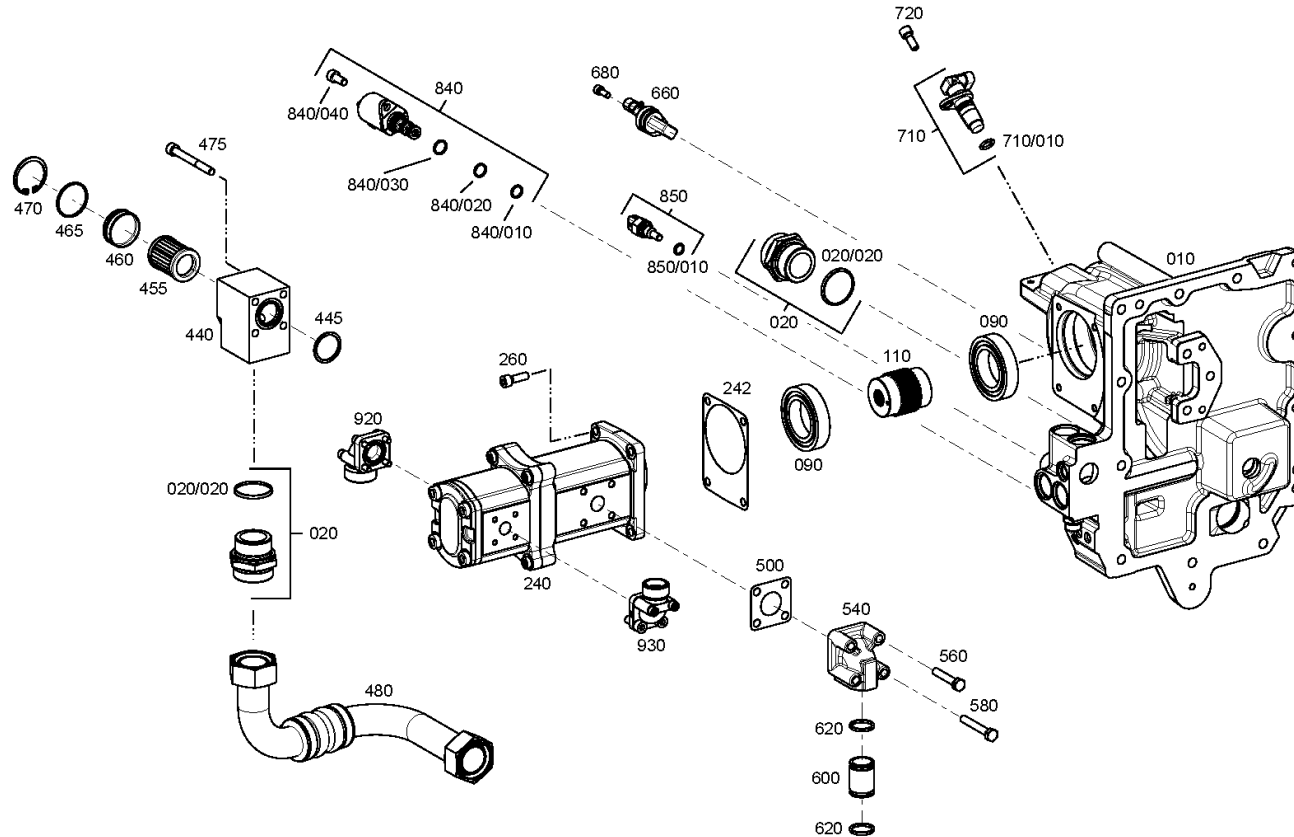
Material number: 2093.029.006

Picture: 209312203801

Material-assembly-group-no: 2093.122.038



TPT 20 /  
PUMP DRIVE



# Picture

Page 2 from 2

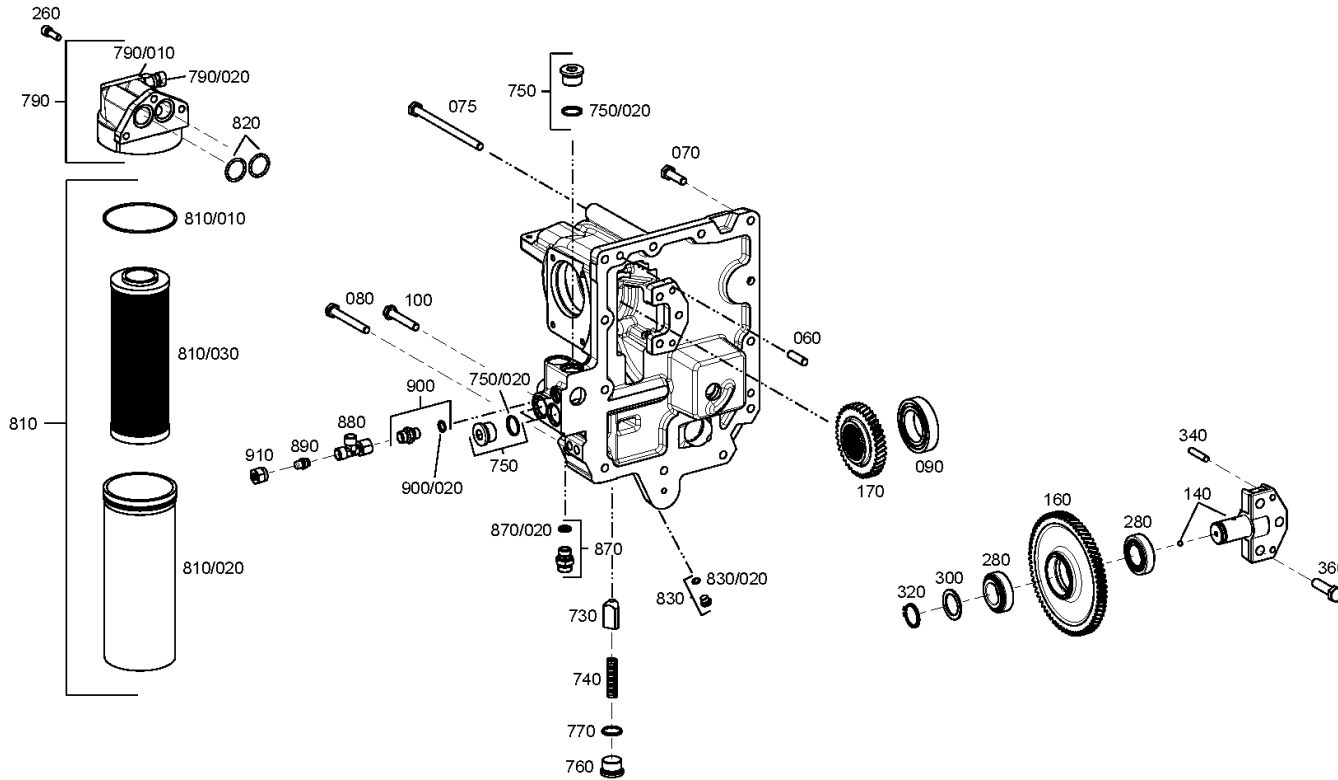
Material number: 2093.029.006

Picture: 209312203802

Material-assembly-group-no: 2093.122.038



TPT 20 /  
PUMP DRIVE



# Picture

Page 1 from 1

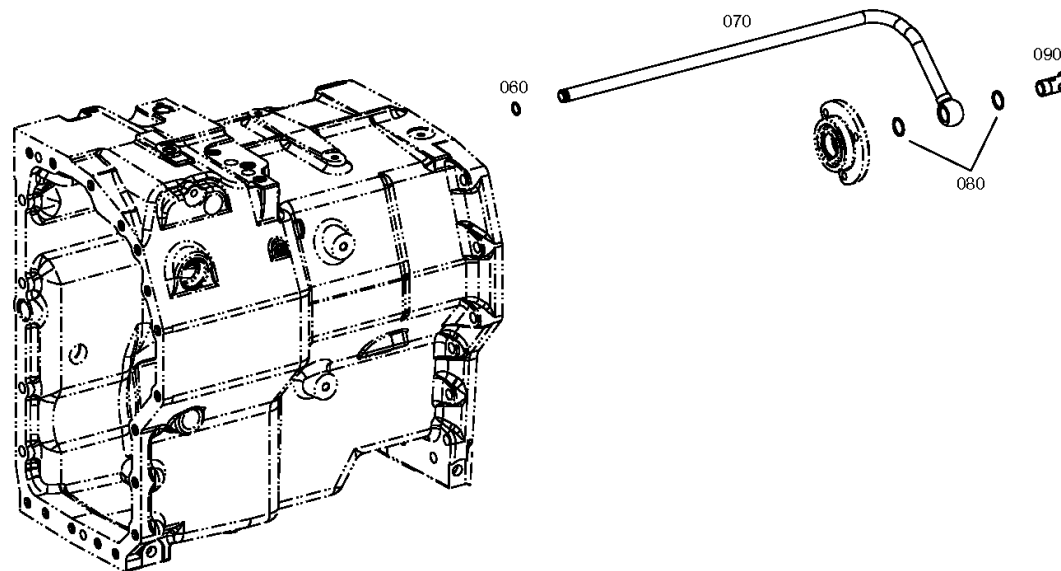
Material number: 2093.029.006

Picture: 209313600600

Material-assembly-group-no: 2093.136.006



TPT 20 /  
OIL SUPPLY





# Picture

Page 1 from 1

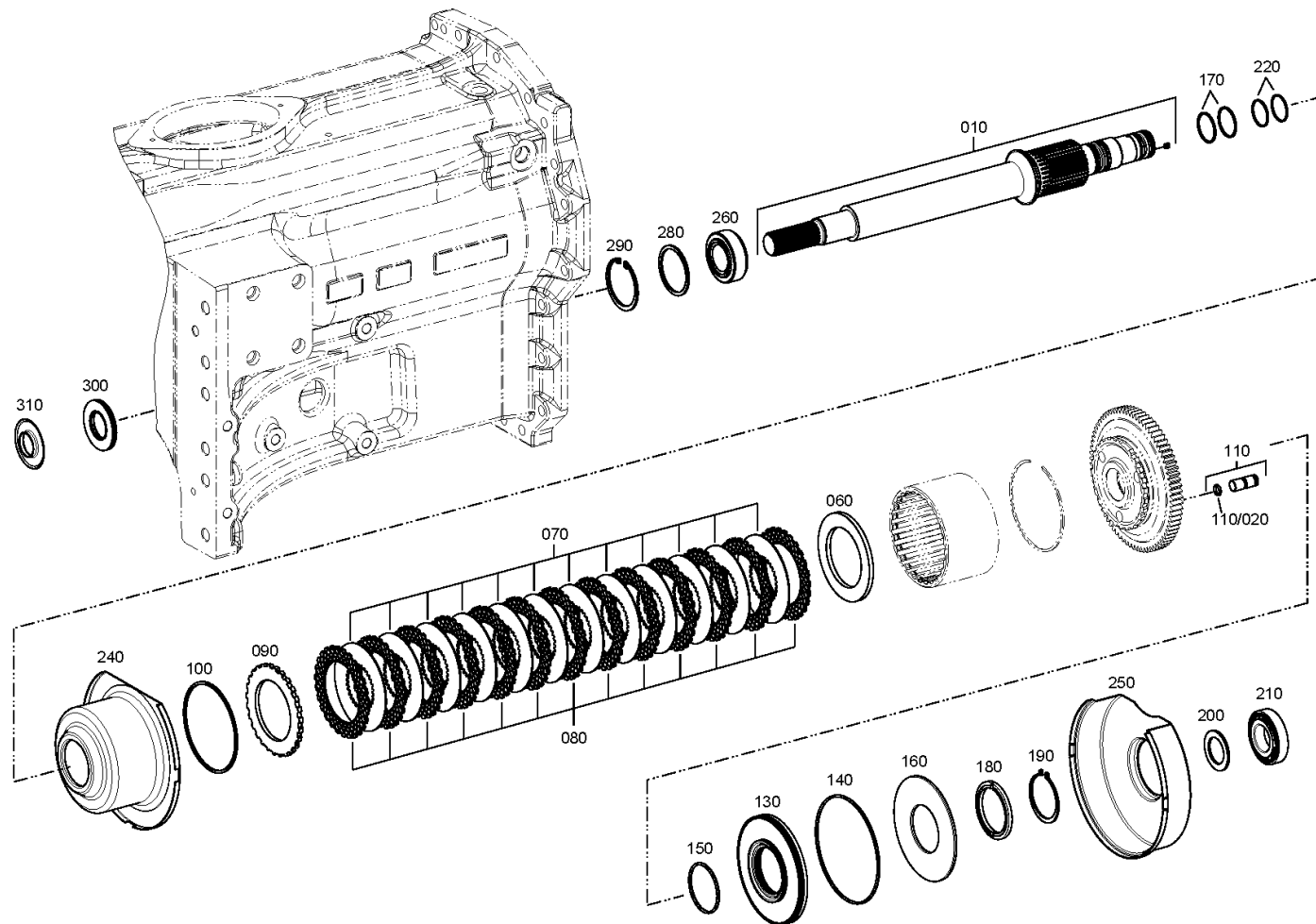
Material number: 2093.029.006

Picture: 209314602100

Material-assembly-group-no: 2093.146.021



TPT 20 /  
FRONT WH.DRIVE



# Picture

Page 1 from 1

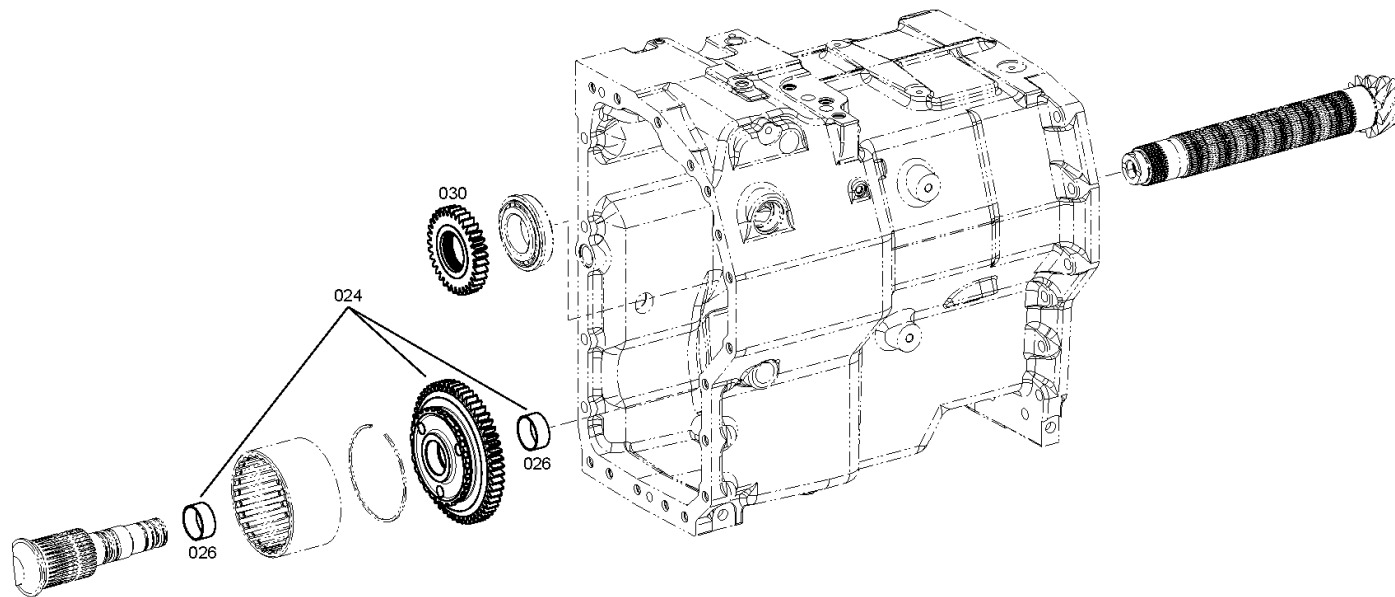
Material number: 2093.029.006

Picture: 209314641800

Material-assembly-group-no: 2093.146.418



TPT 20 /  
FRONT WH.DRIVE



# Picture

Page 1 from 1

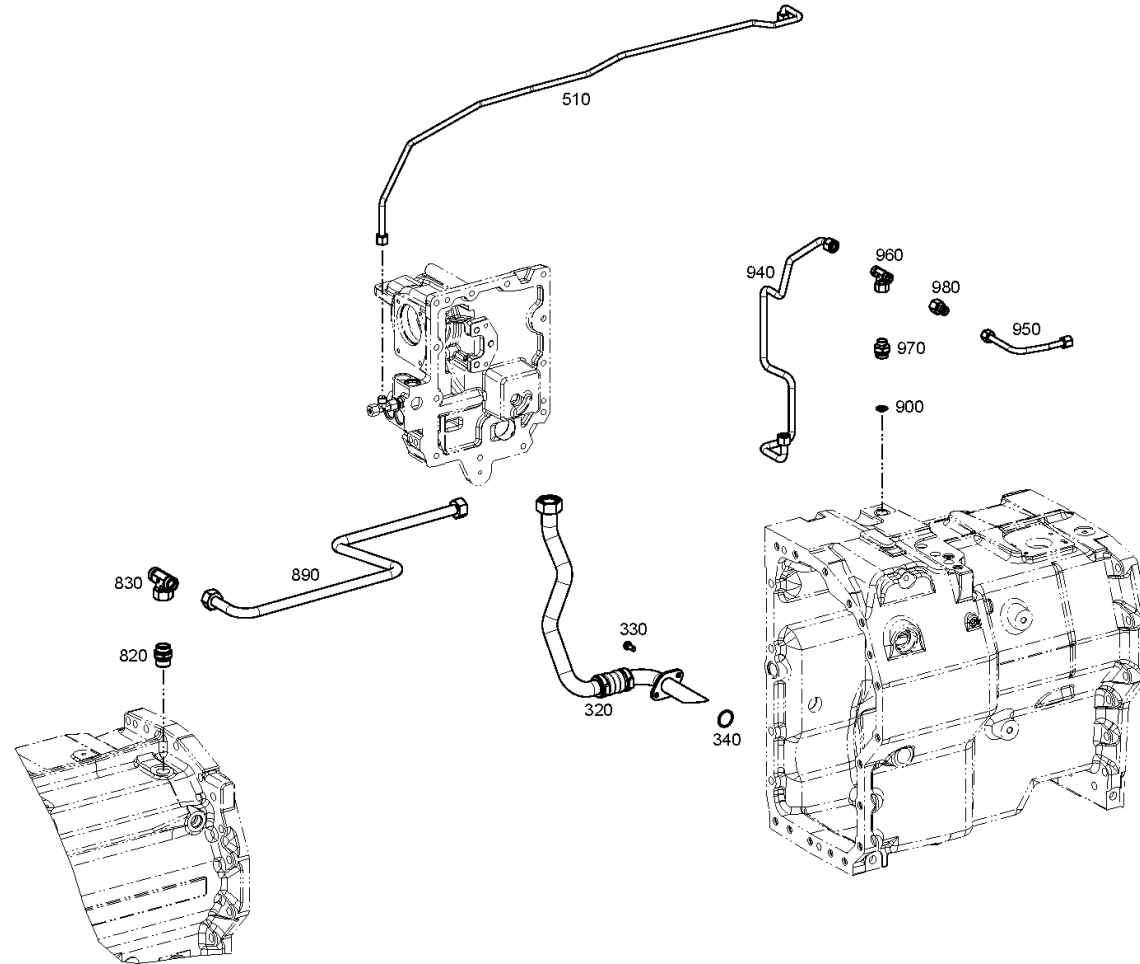
Material number: 2093.029.006

Picture: 209314708600

Material-assembly-group-no: 2093.147.086



TPT 20 /  
OIL SUPPLY



# Picture

Page 1 from 1

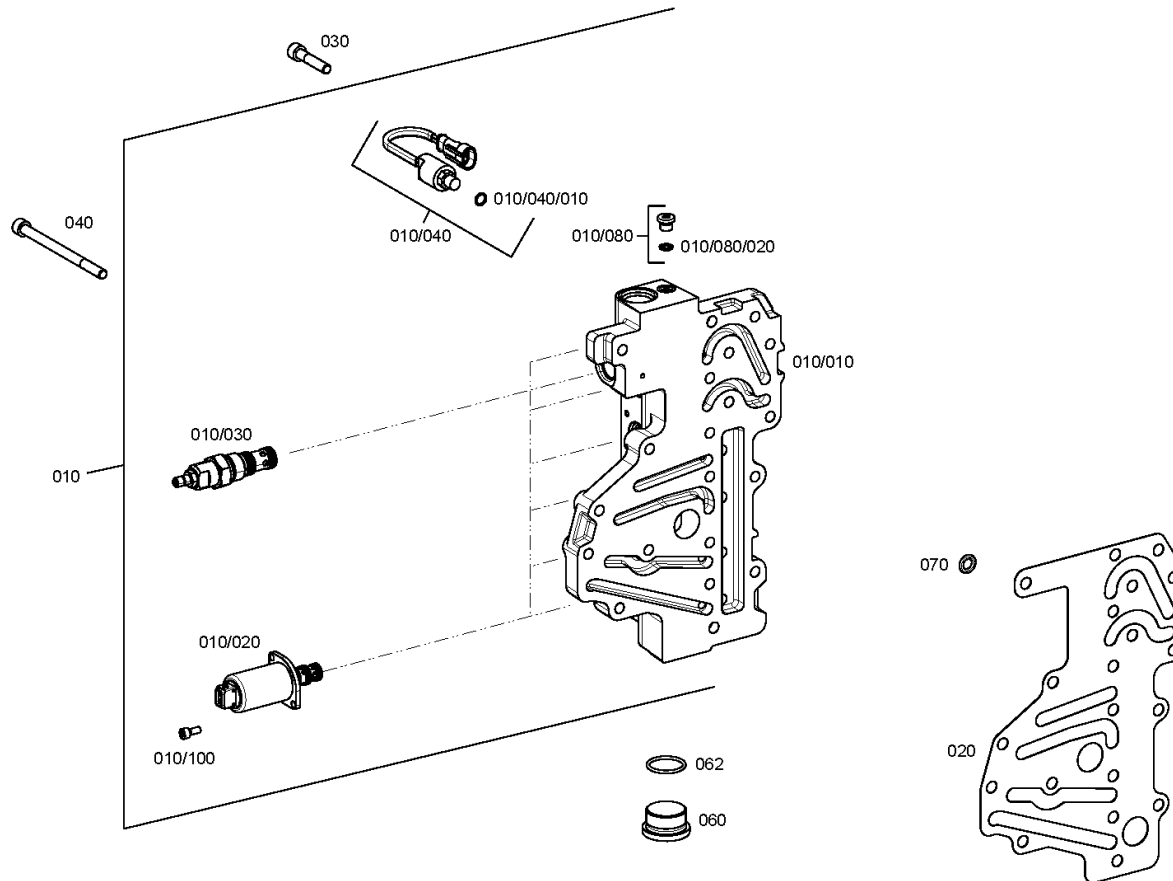
Material number: 2093.029.006

Picture: 20931520200

Material-assembly-group-no: 2093.152.020



TPT 20 /  
HYDR.CONTROL



# Picture

Page 1 from 1

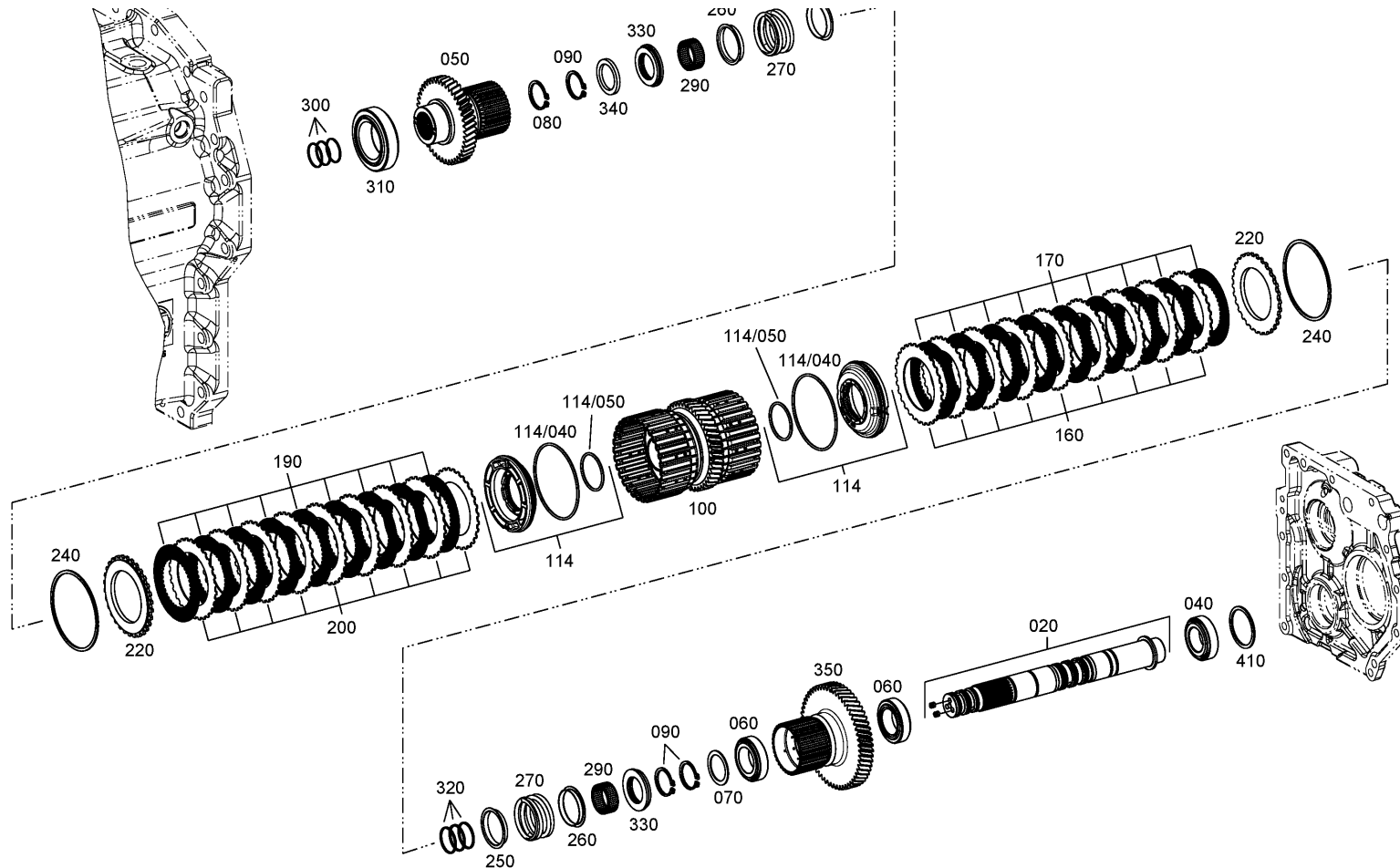
Material number: 2093.029.006

Picture: 209315904700

Material-assembly-group-no: 2093.159.047



TPT 20 /  
POWER-SHIFT GROUP



# Picture

Page 1 from 1

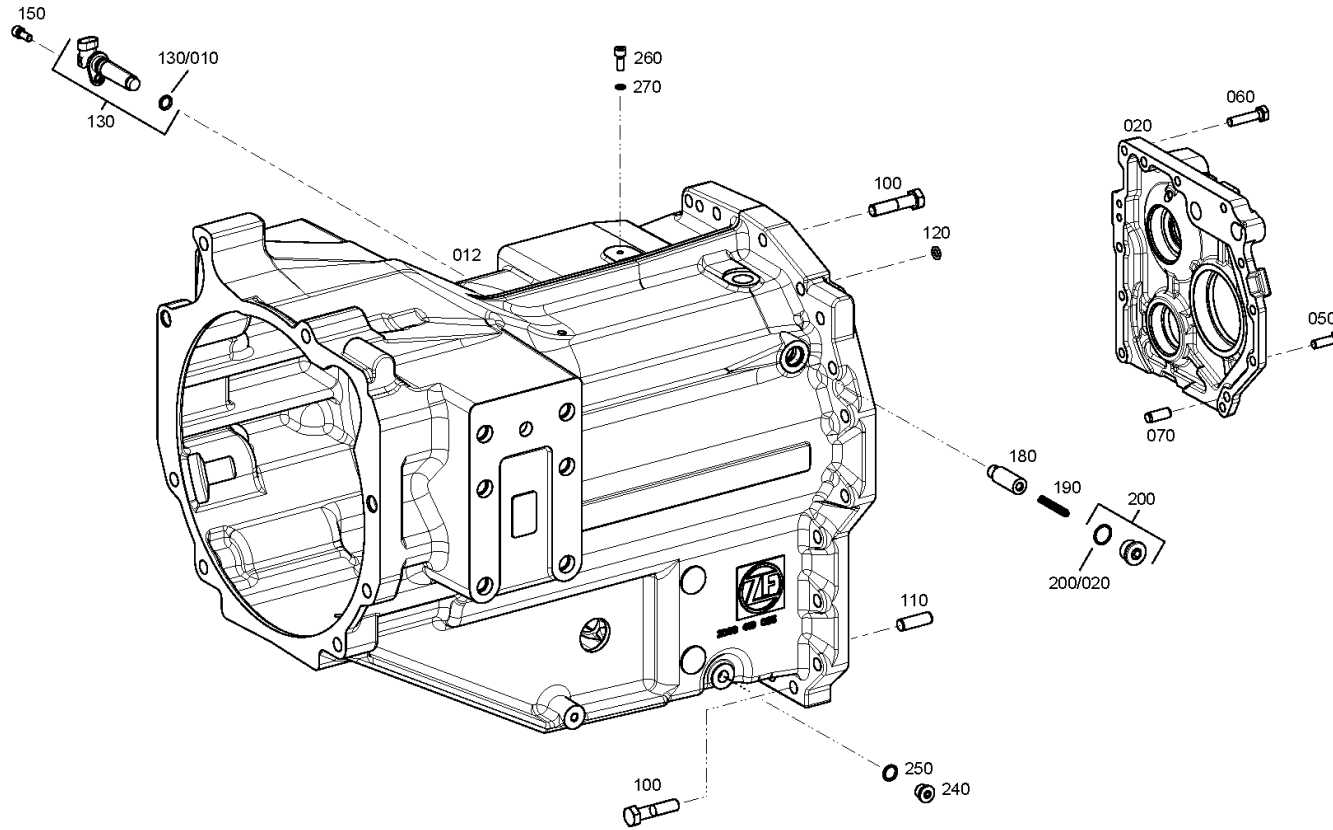
Material number: 2093.029.006

Picture: 209316003200

Material-assembly-group-no: 2093.160.032



TPT 20 /  
HOUSING



# Picture

Page 1 from 2

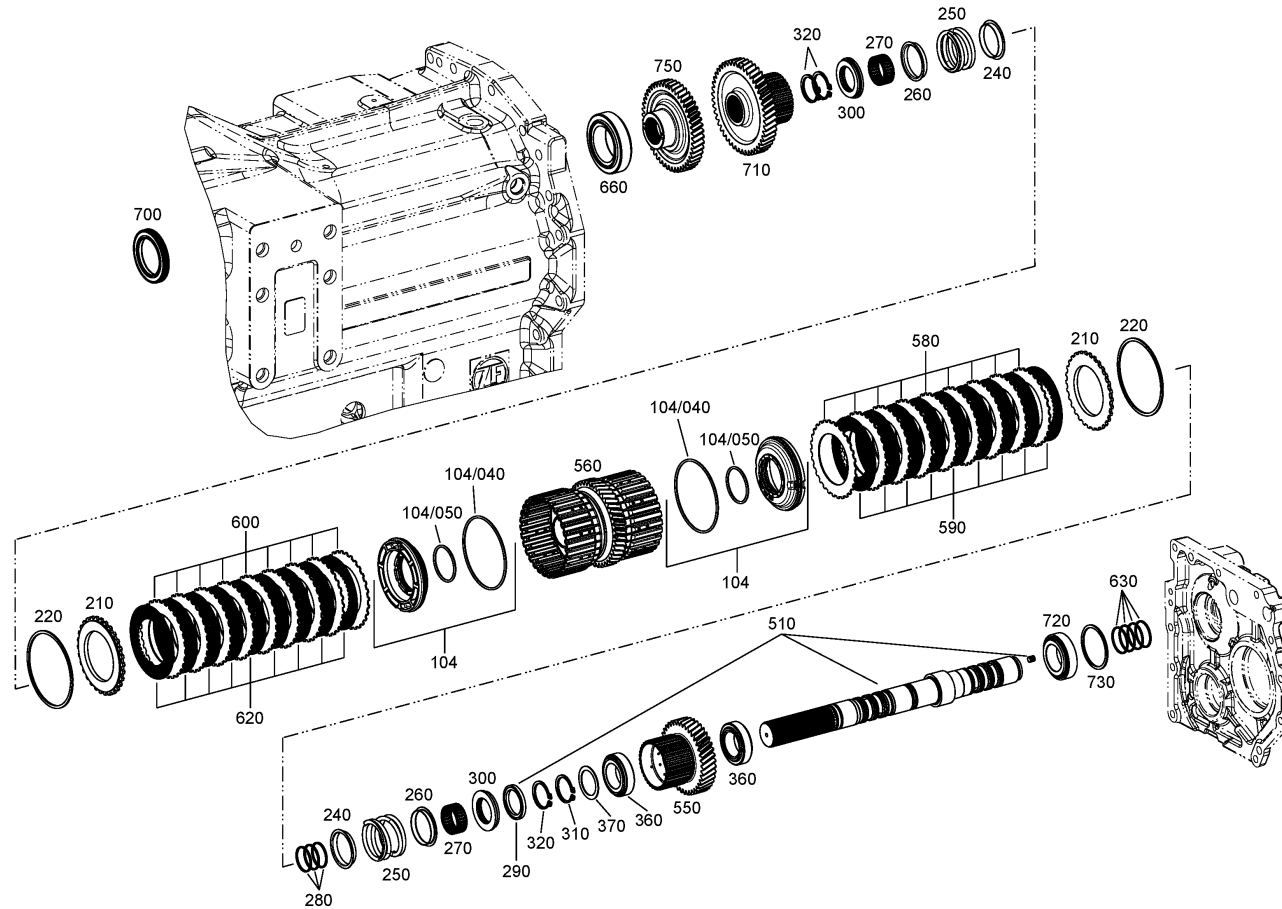
Material number: 2093.029.006

Picture: 209316806401

Material-assembly-group-no: 2093.168.064



TPT 20 /  
SPLITTER BOX



# Picture

Page 2 from 2

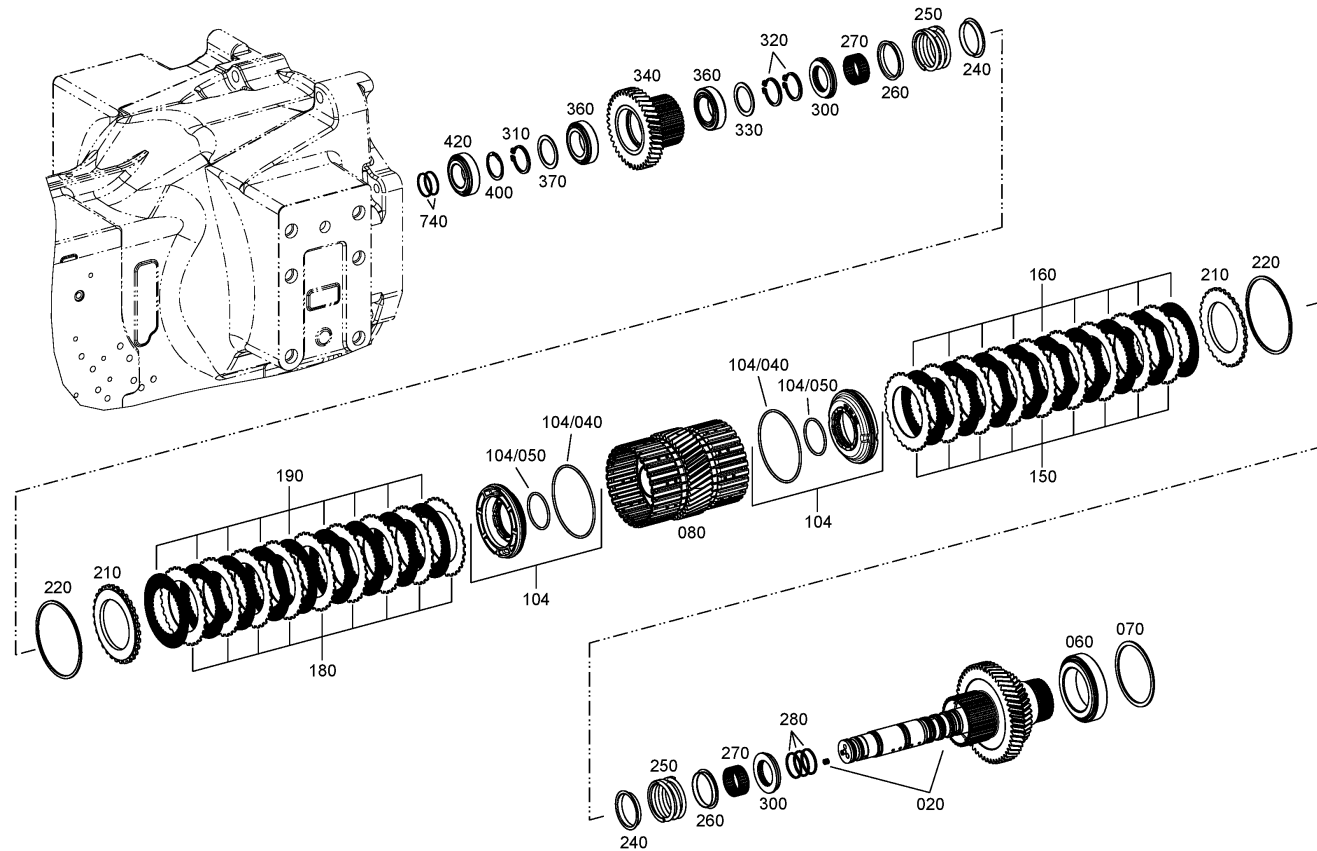
Material number: 2093.029.006

Picture: 209316806402

Material-assembly-group-no: 2093.168.064



TPT 20 /  
SPLITTER BOX





# Picture

Page 1 from 1

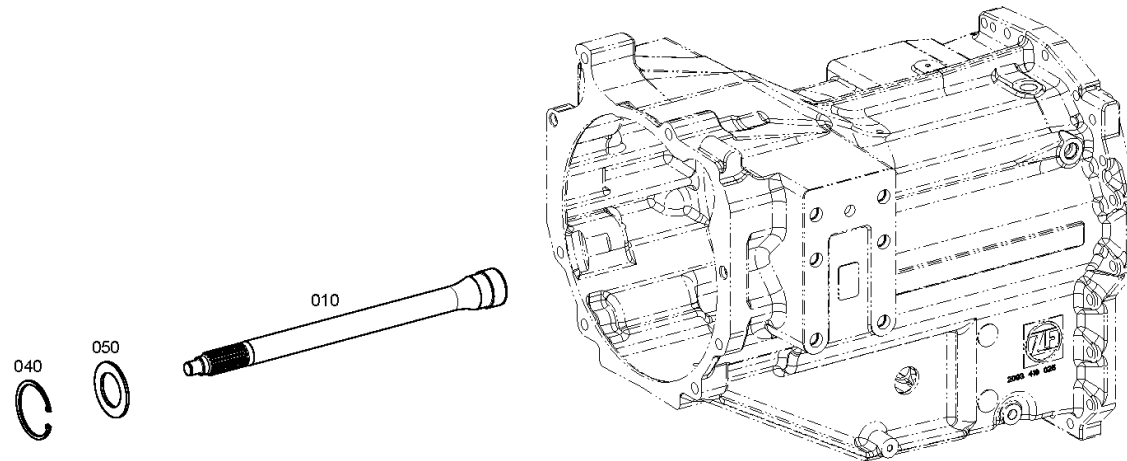
Material number: 2093.029.006

Picture: 209314901800

Material-assembly-group-no: 2093.149.018



TPT 20 /  
INPUT SHAFT



# Picture

Page 1 from 1

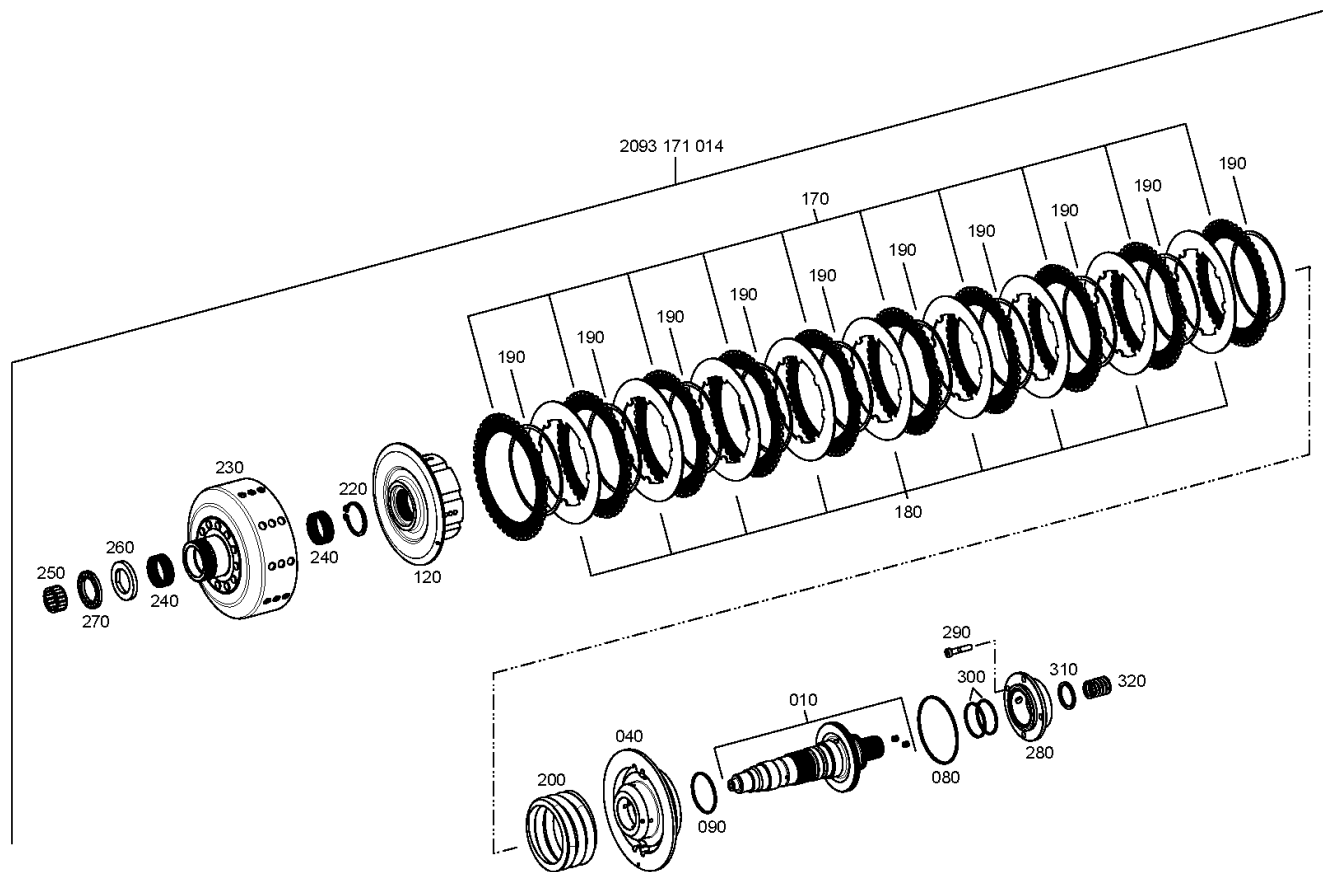
Material number: 2093.029.006

Picture: 209317101400

Material-assembly-group-no: 2093.171.014



TPT 20 /  
MAIN CLUTCH



# Picture

Page 1 from 1

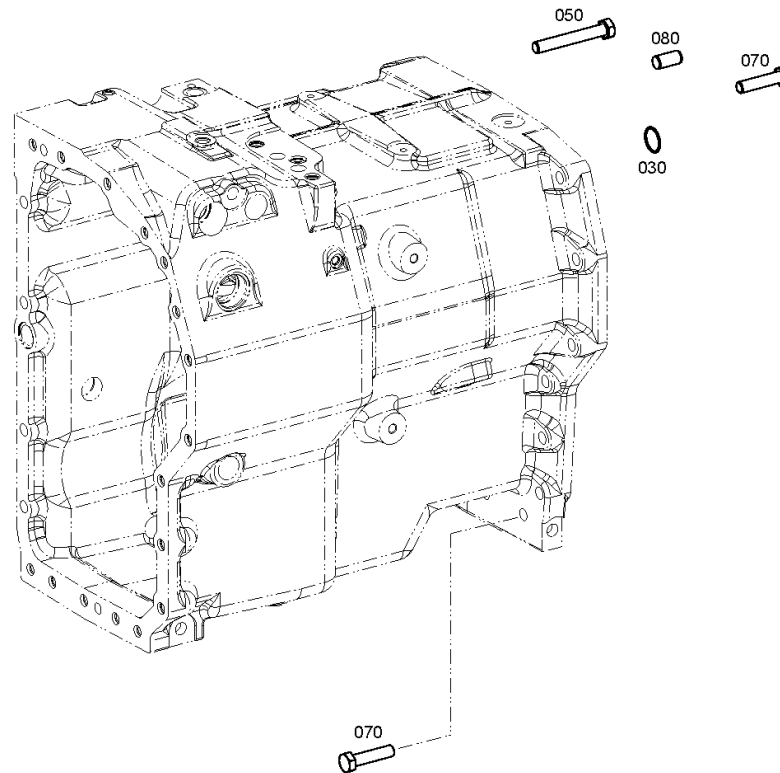
Material number: 2093.029.006

Picture: 209319101200

Material-assembly-group-no: 2093.191.012



TPT 20 /  
ACCESSORIES



# Picture

Page 1 from 1

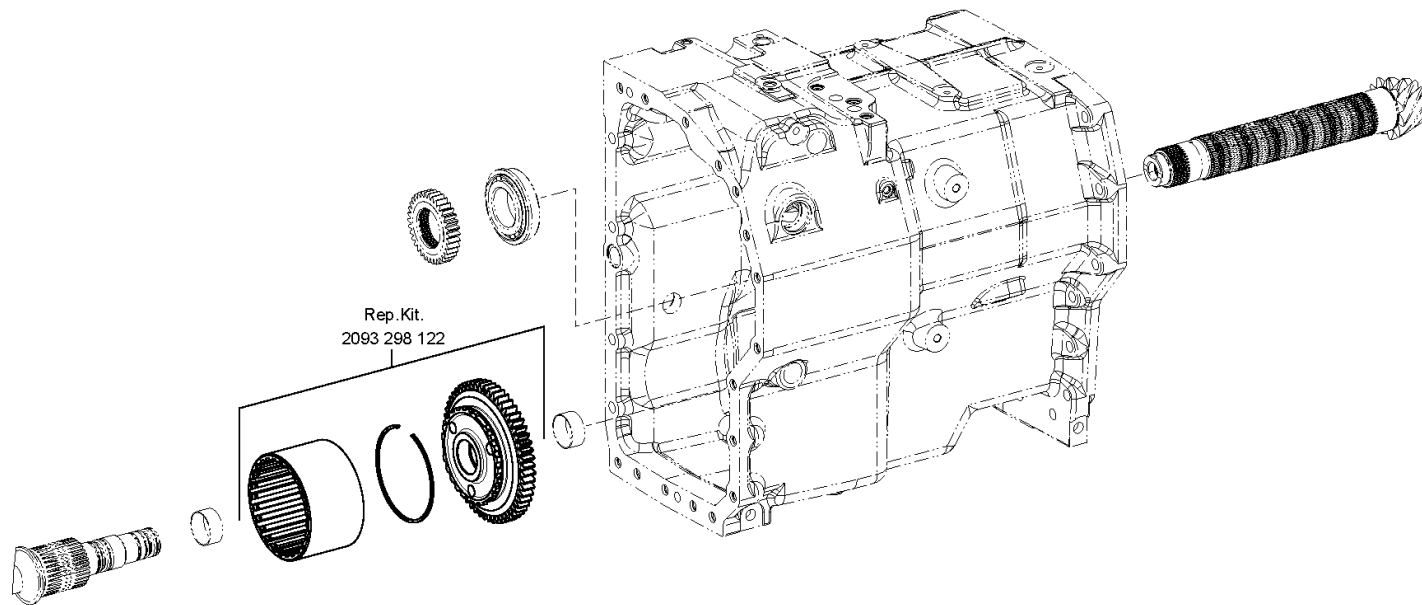
Material number: 2093.029.006

Picture: 209329812200

Material-assembly-group-no: 2093.298.122



TPT 20 /  
GEAR



# Picture

Page 1 from 1

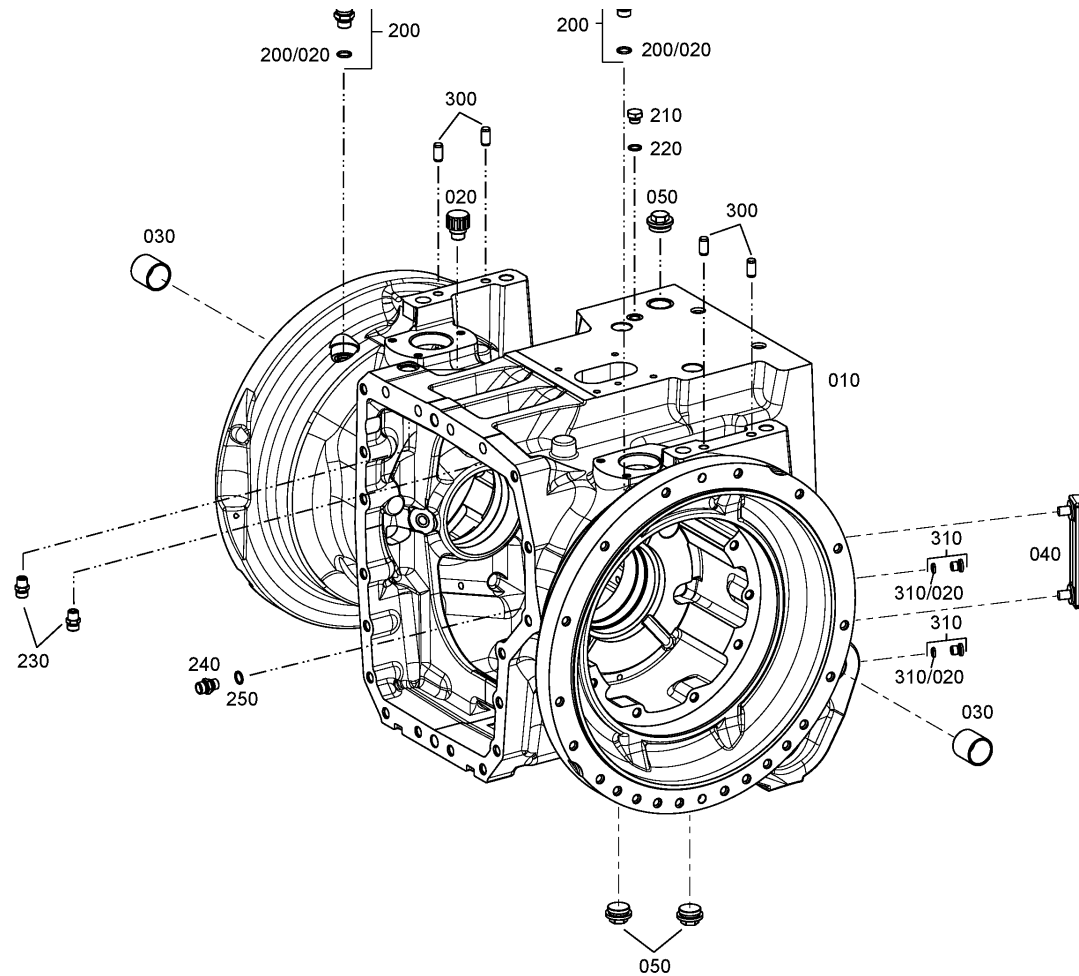
Material number: 2093.070.022

Picture: 209311703000

Material-assembly-group-no: 2093.117.030



TPT 20 /  
REAR AXLE HOUS.



# Picture

Page 1 from 1

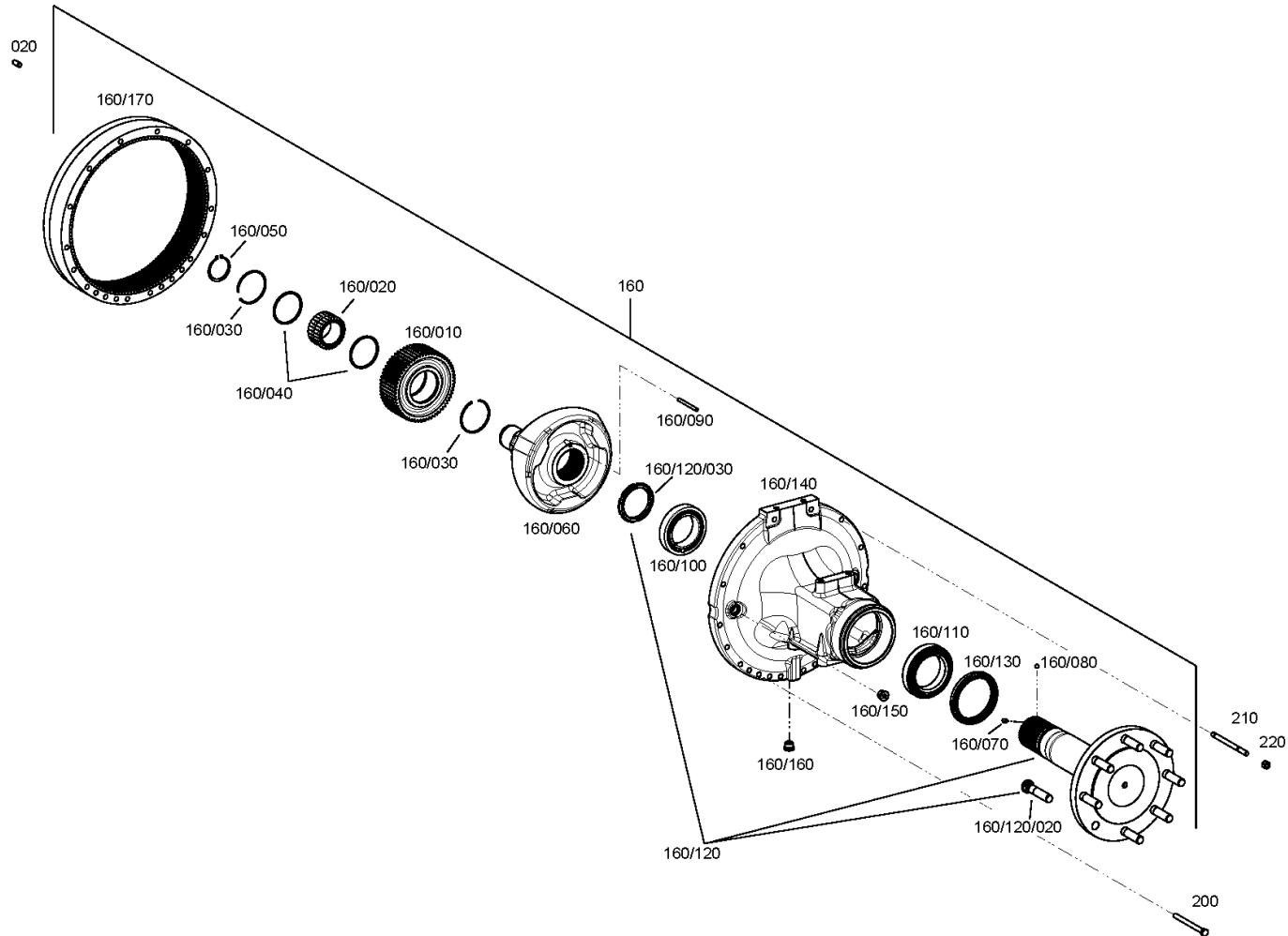
Material number: 2093.070.022

Picture: 209311102300

Material-assembly-group-no: 2093.111.023



TPT 20 /  
OUTPUT



# Picture

Page 1 from 1

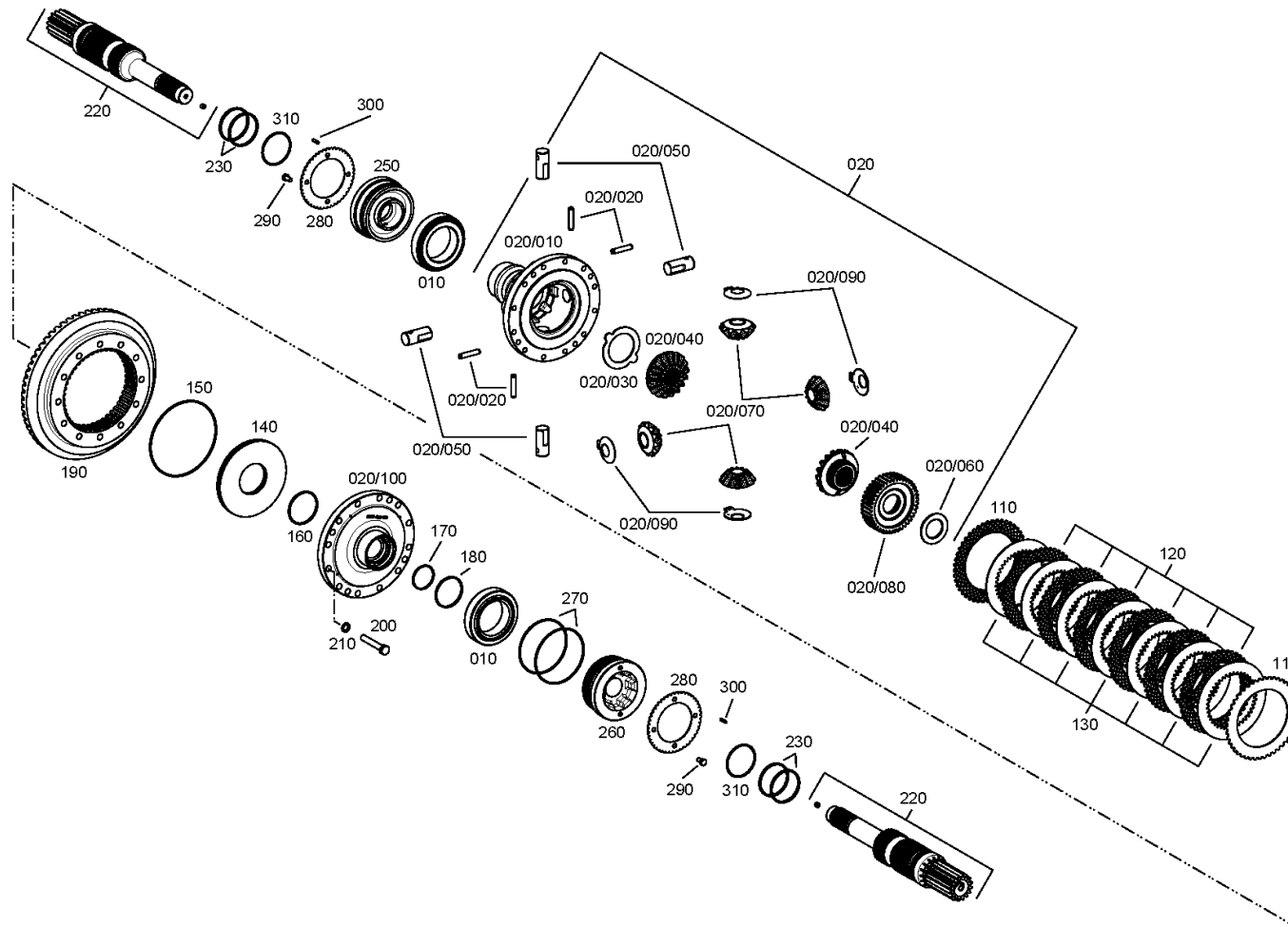
Material number: 2093.070.022

Picture: 209310902800

Material-assembly-group-no: 2093.109.028



TPT 20 /  
DIFFERENTIAL



# Picture

Page 1 from 1

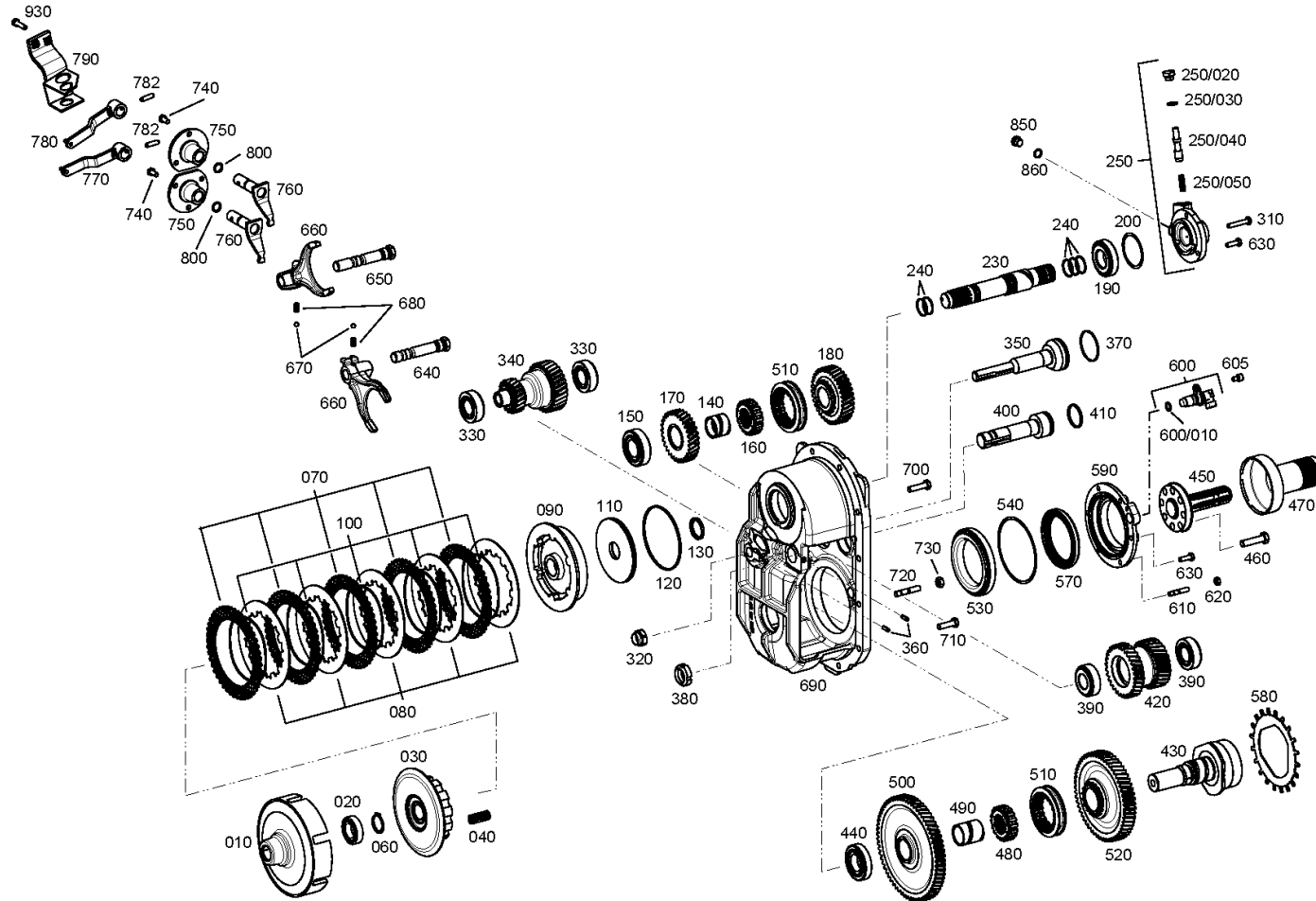
Material number: 2093.070.022

Picture: 209311005800

Material-assembly-group-no: 2093.110.058



TPT 20 /  
P.T.O. SHAFT





# Picture

Page 1 from 1

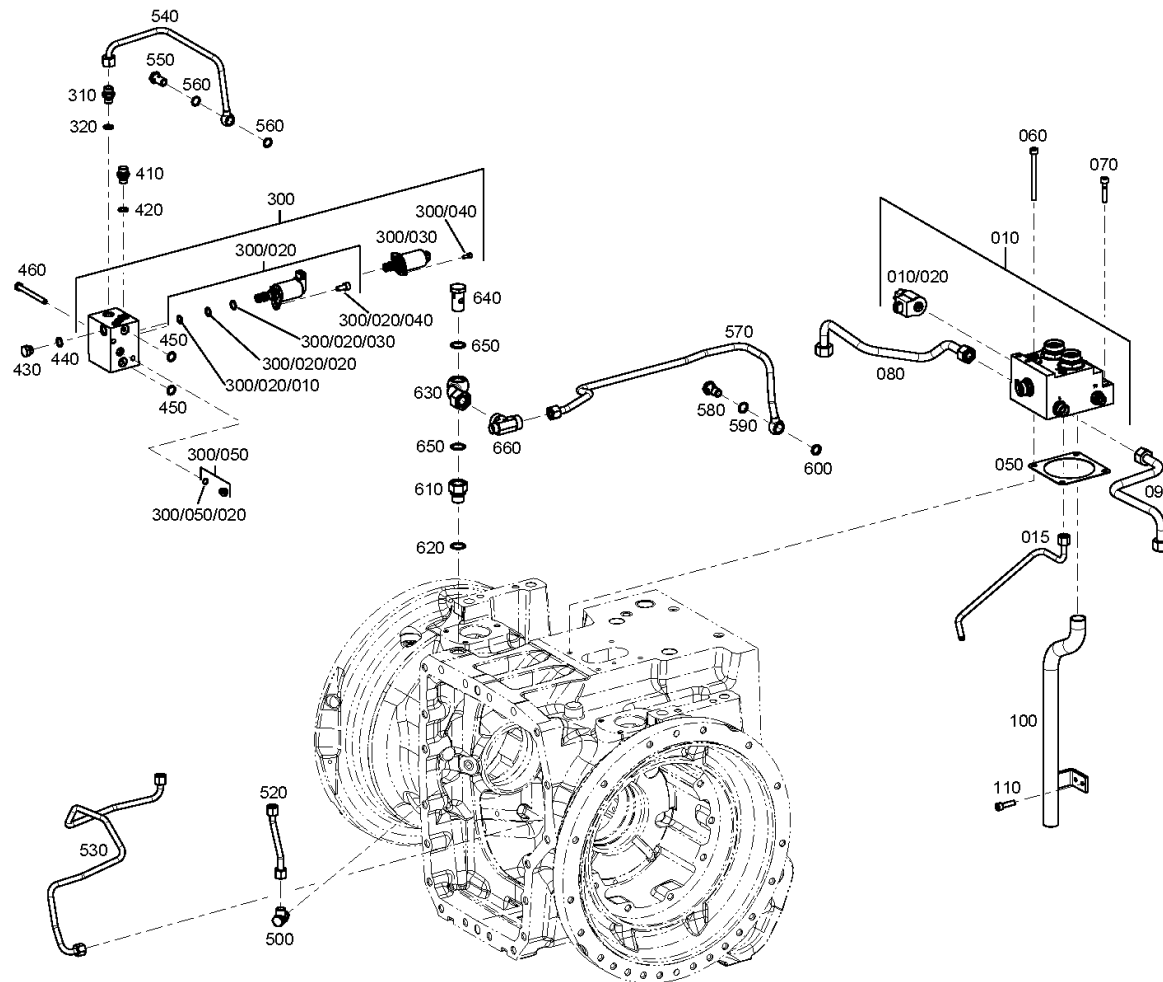
Material number: 2093.070.022

Picture: 209314708500

Material-assembly-group-no: 2093.147.085



TPT 20 /  
OIL SUPPLY



# Picture

Page 1 from 1

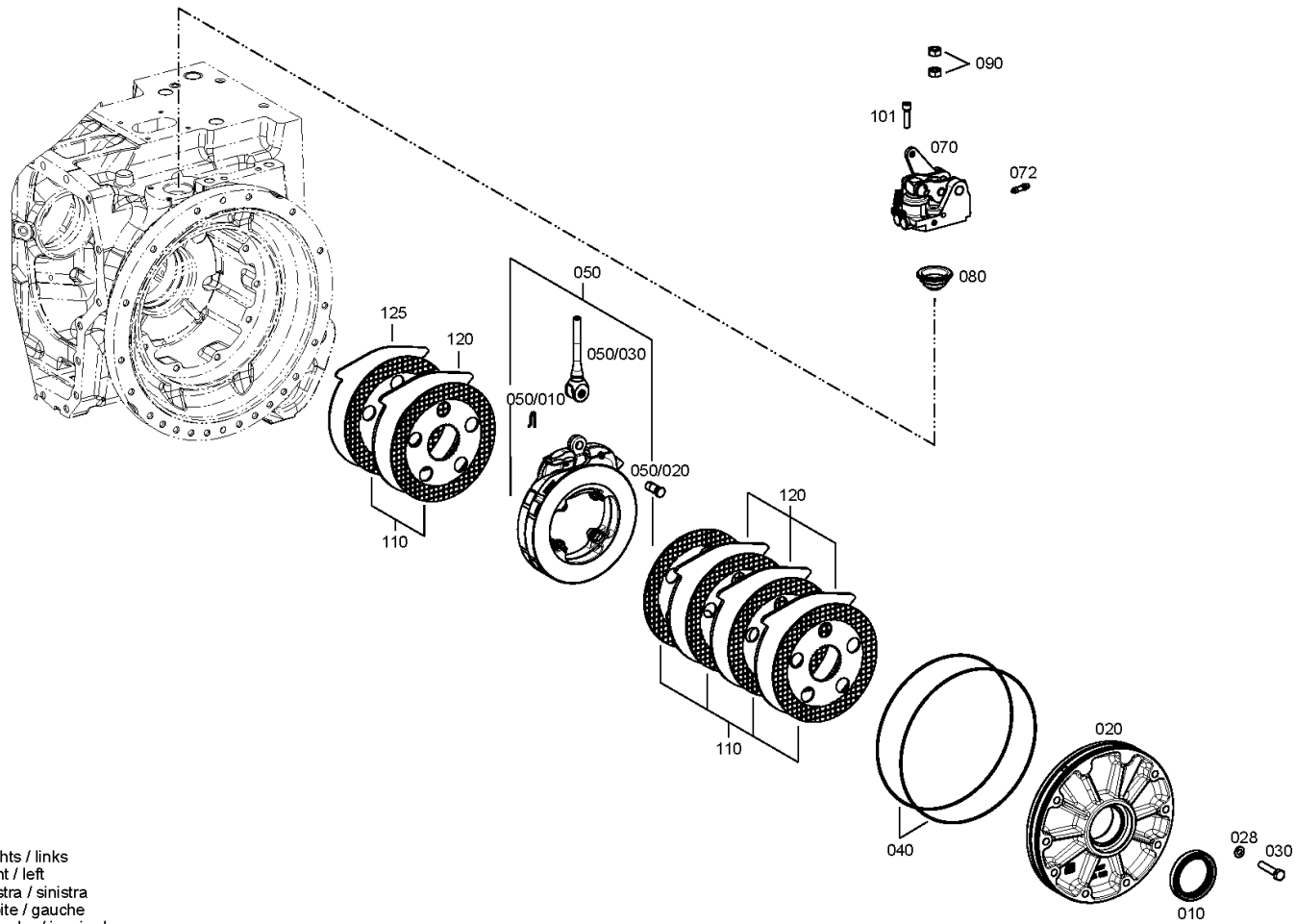
Material number: 2093.070.022

Picture: 209312400600

Material-assembly-group-no: 2093.124.006



TPT 20 /  
BRAKE



# Picture

Page 1 from 1

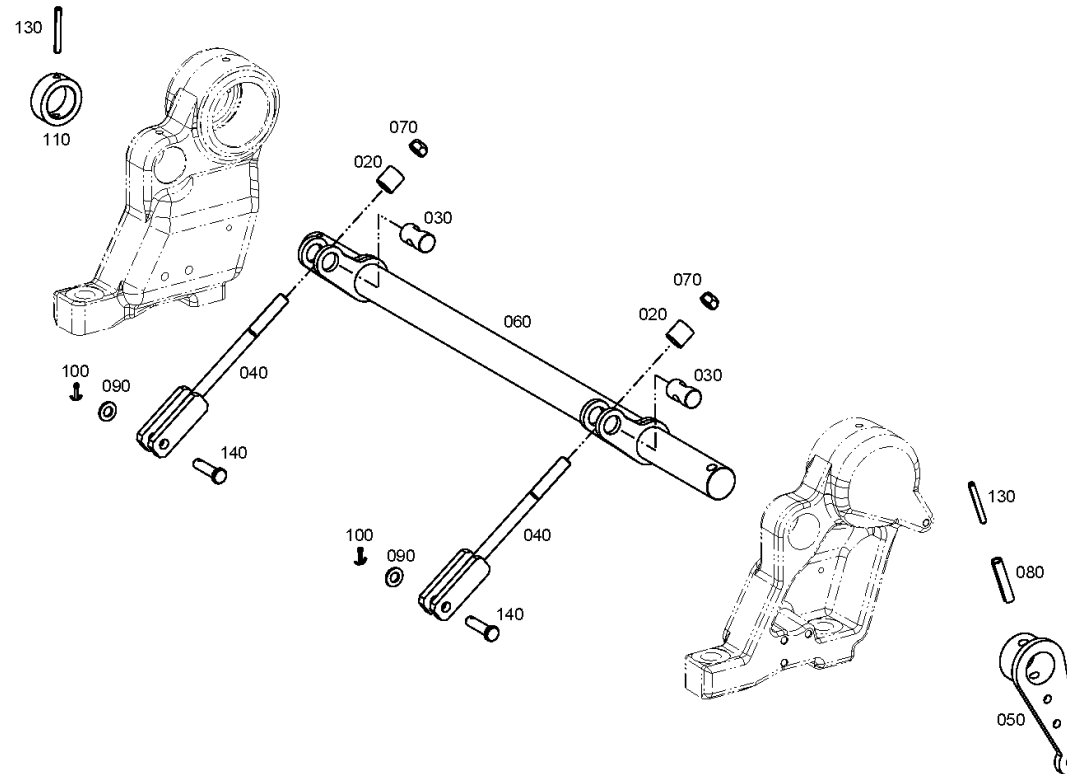
Material number: 2093.070.022

Picture: 209712900300

Material-assembly-group-no: 2097.129.003



TPT 20 /  
BRAKE SHAFT



# Picture

Page 1 from 1

Material number: 2093.070.022

Picture: 209314000700

Material-assembly-group-no: 2093.140.007



TPT 20 /  
HOISTING UNIT

