



Spare Parts Catalog

T 7336 L

Material number: 2094.009.025

Current date: 23.10.2014

ZF Friedrichshafen AG
Hauptverwaltung
80038 Friedrichshafen
Deutschland

Telefon: +49 7541 77-0

Telefax: +49 7541 77-908000

www.zf.com

zuständiges Werk:
Passau

Notes relating to the spare parts catalog

Setup of the spare parts catalog

- Cover sheet
- Technical Cover (only in SDM print)
- Overview of figures
- Figure
- Associated parts list
- Next figure
- Associated parts list
- ...

Figure and parts list



Overview of figures

Bildtafel Figure	Sachnummer Product number	Benennung (Description)	Technische Info Technical info	Description (Benennung)	Menge Quantity	Einheit Unit
068.08.17	1316.170.001	AUSLEGER	WL	SHIFT TURRET	1	Stk
068.08.06	1316.170.031	DECKEL	WL*H-H *VM	COVER	1	Stk
068.08.14	1316.170.808	DECKEL	WL*AUSL+GEH*H-H*HF160N	COVER	1	Stk
08	1316.170.441	ANSCHLUSSTEILE	WL*NG-VORB*RG-SCHL*168N *BAJONETT	CONNECTING PARTS	1	Stk

The "gap" indicates that there is no separate graphics panel (poster) for this assembly
The parts of this assembly are shown with the same mid-section number on the figure

1 Positions and subpositions

Pos.	Sachnummer Product number	Benennung (Description)	Technische Info Technical info	Description (Benennung)	Menge Quantity	Einheit Unit
0370	1315.201.054	RUECKLAUFBOLZEN	KPL.16S151*SG*L= 79	REV.IDLER SHAFT	1	Stk
/0120	0631.329.293	SPANNSTIFT		SLOT. PIN	1	Stk

Positions marked with "/" are the individual items of a completion
For example: Position 0370 contains a centering pin with the position /0120

2 Combinations with standardized parts

Pos.	Sachnummer Product number	Benennung (Description)	Technische Info Technical info	Description (Benennung)	Menge Quantity	Einheit Unit
0630		VERSCHL.SCHR.		SCREW PLUG	1	Stk
	0636.302.067	VERSCHL.SCHR.		SCREW PLUG	1	Stk
	0634.801.249	DICHTRING	A 26 X 31	SEALING RING	1	Stk

The parts list shows the components included in the combination of standardized parts

3 Depiction of position/item number on the figure and in the parts list

01.620 - on the figure 01 relates to the assembly in which the position is included. Due to program-related reasons, it is shown on the figure.

0620 - in the parts list

Pos.	Sachnummer Product number	Benennung (Description)	Technische Info Technical info	Description (Benennung)	Menge Quantity	Einheit Unit
0620	0732.040.736	DRUCKFEDER		COMPRESSION SPRING	1	Stk

4 *-Positions

Positions marked with an * are optional i.e. inclusion in the parts list is not mandatory.
The following note is shown on the figure

je nach Stücklistenausführung
depending on spec. number
*
suivant la nomenclature
secondo la distinta base

5 Parts, dotted display

Parts with dotted display on the figure are only used for orientation of other parts

Technical Cover

Page 1 from 1

Material number: 2094.009.025



T 7336 L /

Pos.	Information	Amendment number
	*	

Assembly group overview

Page 1 from 2



T 7336 L /

Material number: 2094.009.025

Picture	Pos.	Material number	Name	Quantity	Amend. no.	Techn. Info.
	500	2094.027.015	T 7336 L	1		
209410101700	10	2094.101.017	TRANSMISSION HOUSING	1		
209412201200	230	2094.122.012	PUMP DRIVE	1		
209414701500	350	2094.147.015	OIL SUPPLY	1		
209414740600	360	2094.147.406	OIL SUPPLY	1		
209416801201	470	2094.168.012	SPLITTER BOX	1		
	700	2094.198.037	REPAIR KIT	1		
209413600100	270	2094.136.001	OIL SUPPLY	1		
209415900901	450	2094.159.009	LASTSCHALTGR	1		
	900	2094.198.039	REPAIR KIT	1		
209414601000	330	2094.146.010	FRONT WH.DRIVE	1		
209414641000	340	2094.146.410	FRONT WH.DRIVE	1		
209411400200	190	2094.114.006	CRAWLER	1		
209410401200	50	2094.104.012	MAIN SHAFT	1		
209410301100	30	2094.103.011	COUNTERSHAFT	1		
209410340700	40	2094.103.407	COUNTERSHAFT	1		
209410601300	70	2094.106.013	SHIFT SYSTEM	1		
209415201000	410	2094.152.010	HYDR.CONTROL	1		

Assembly group overview

Page 2 from 2

Material number: 2094.009.025



T 7336 L /

Picture	Pos.	Material number	Name	Quantity	Amend. no.	Techn. Info.
209415240000	412	2094.152.400	HYDR.CONTROL	1		
209417701000	490	2094.177.010	HYDRAUL.CONTROL	1		
209417740300	492	2094.177.403	HYDR.CONTROL	1		
209411001300	80	2094.110.013	P.T.O. SHAFT	1		
209417100600	170	2094.171.006	MAIN CLUTCH	1		
209412401200	250	2094.124.012	CLOSING COMPONENTS	1		
	KIT	2094.298.031	REPAIR KIT	1		
	KIT	2094.298.042	HYDRAUL.CONTROL	1		

Picture

Page 1 from 2

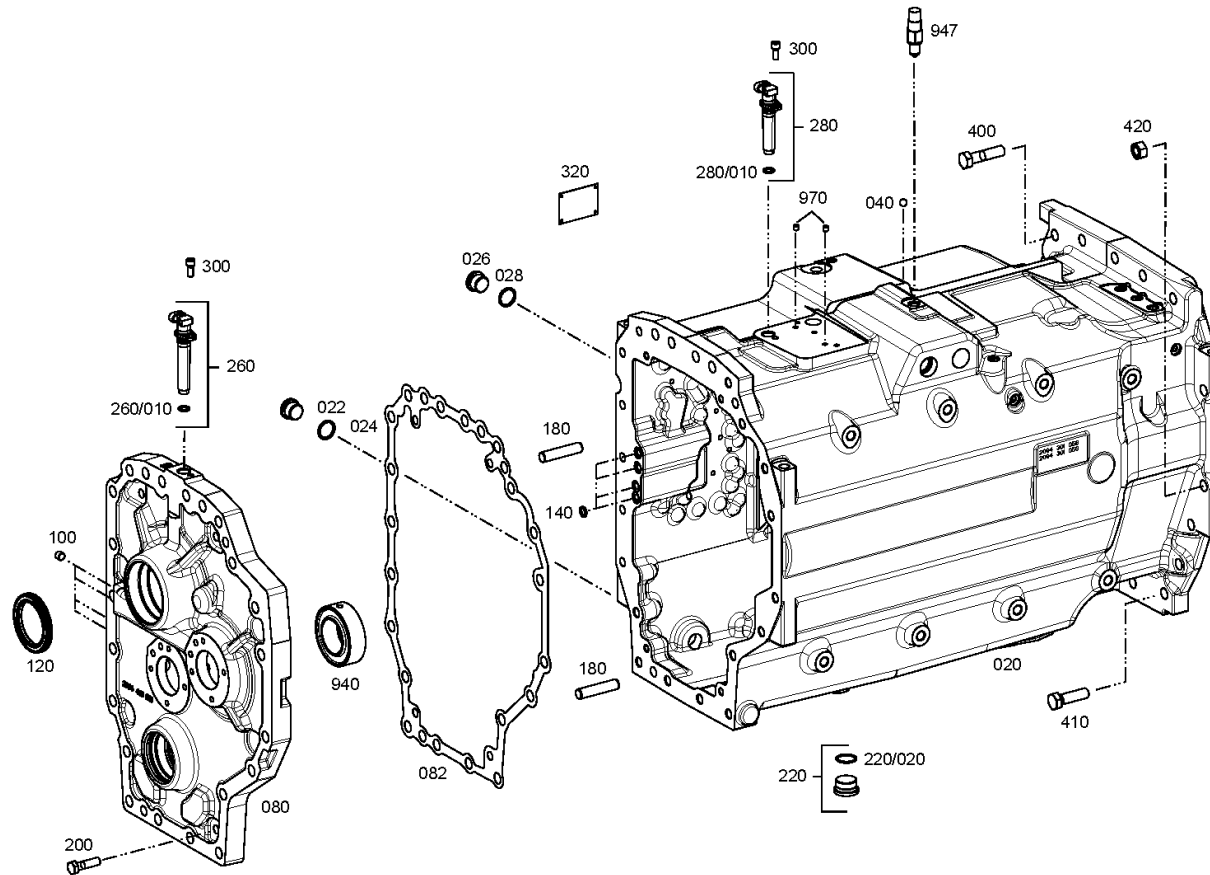
Material number: 2094.009.025

Picture: 209410101700

Material-assembly-group-no: 2094.101.017



T 7336 L /
TRANSMISSION HOUSING



Picture

Page 2 from 2

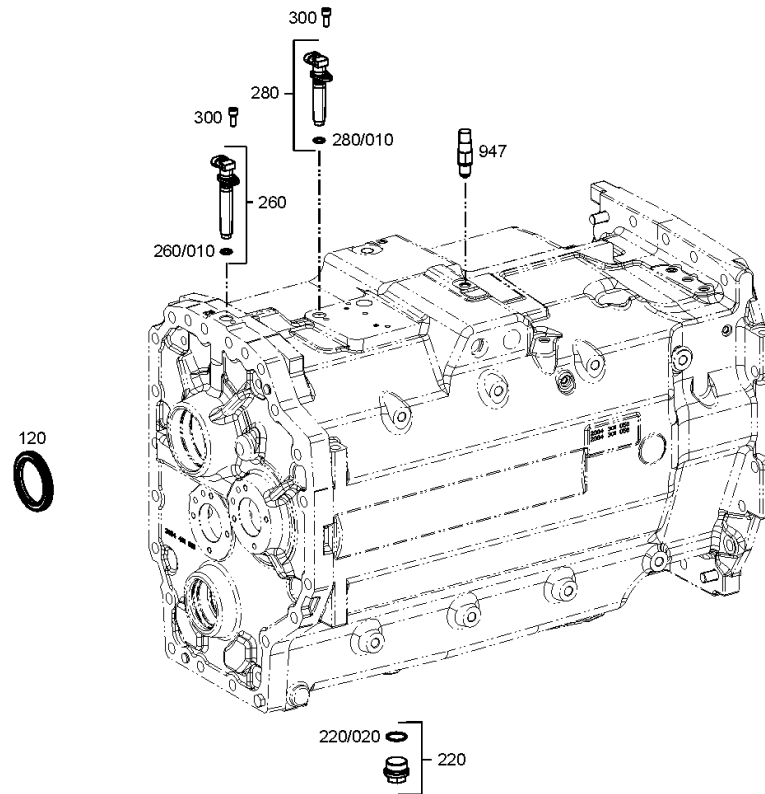
Material number: 2094.009.025

Picture: 209410101780

Material-assembly-group-no: 2094.101.017



T 7336 L /
TRANSMISSION HOUSING



Picture

Page 1 from 1

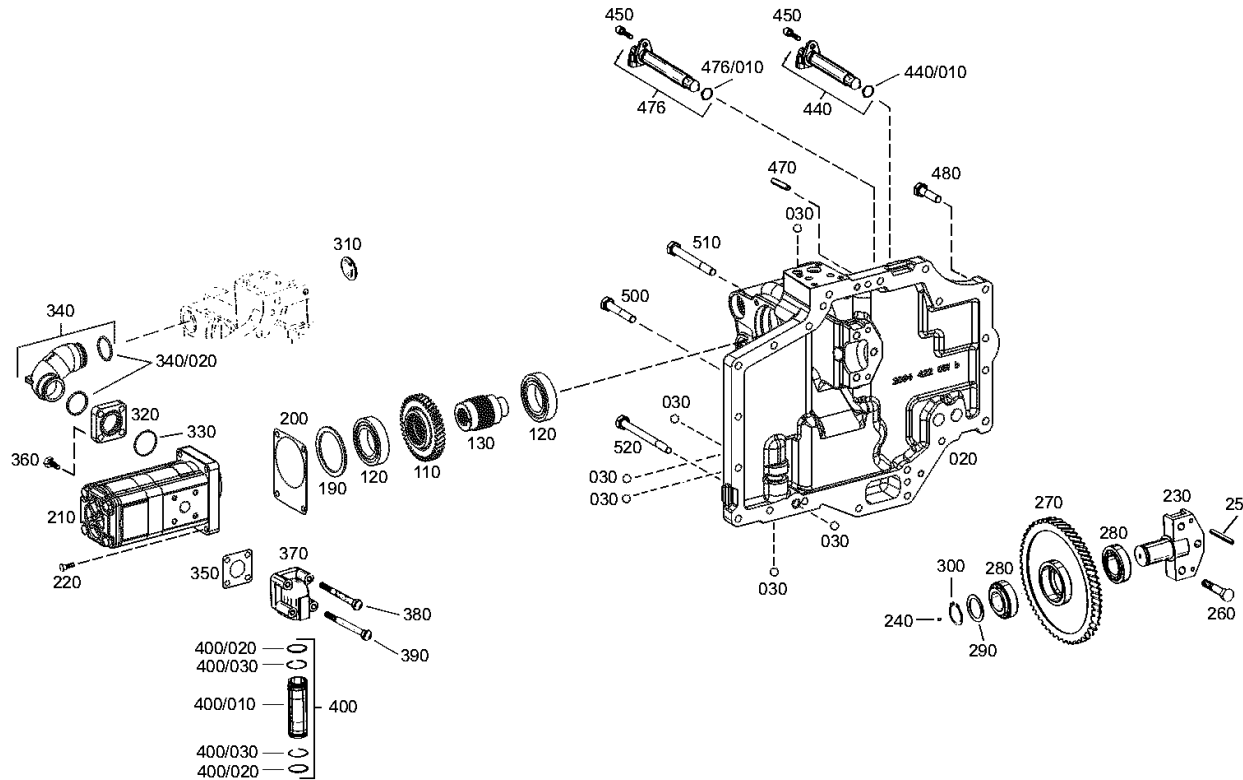
Material number: 2094.009.025

Picture: 209412201200

Material-assembly-group-no: 2094.122.012



T 7336 L /
PUMP DRIVE



Picture

Page 1 from 2

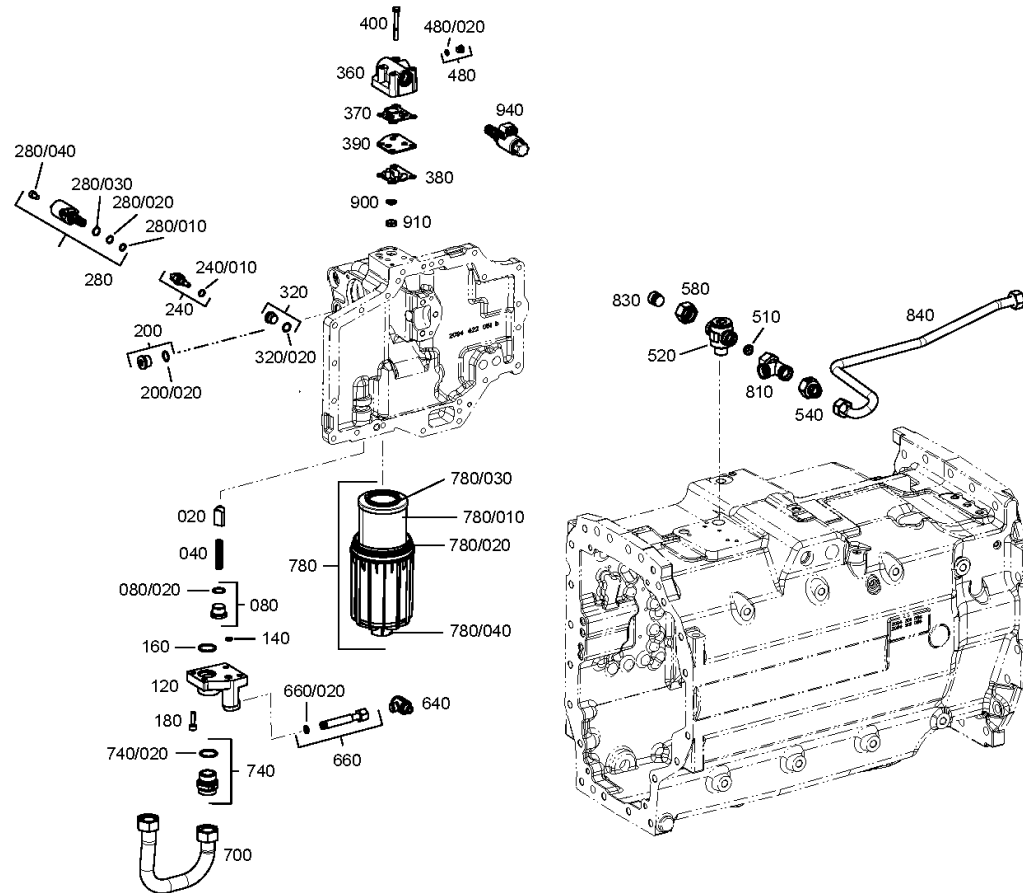
Material number: 2094.009.025

Picture: 209414701500

Material-assembly-group-no: 2094.147.015



T 7336 L /
OIL SUPPLY



Picture

Page 2 from 2

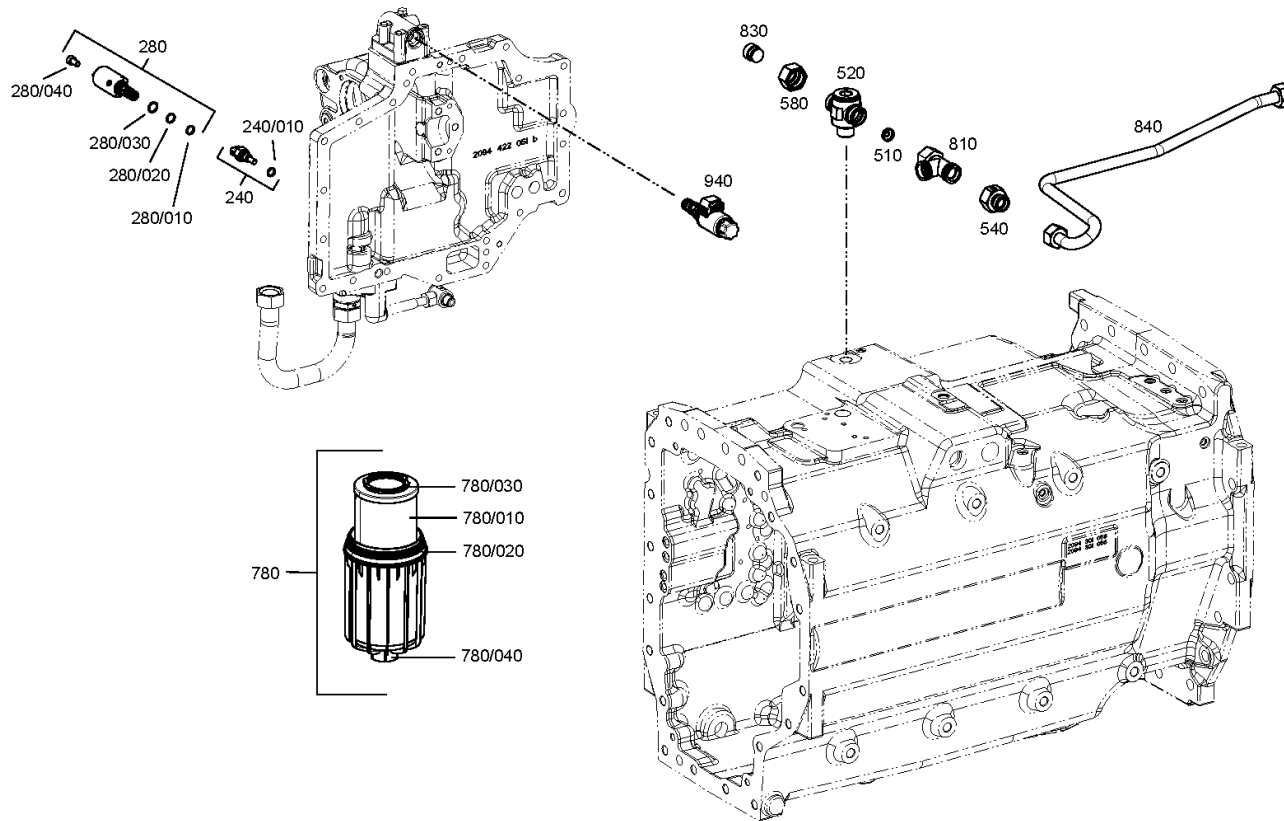
Material number: 2094.009.025

Picture: 209414701580

Material-assembly-group-no: 2094.147.015



T 7336 L /
OIL SUPPLY



Picture

Page 1 from 1

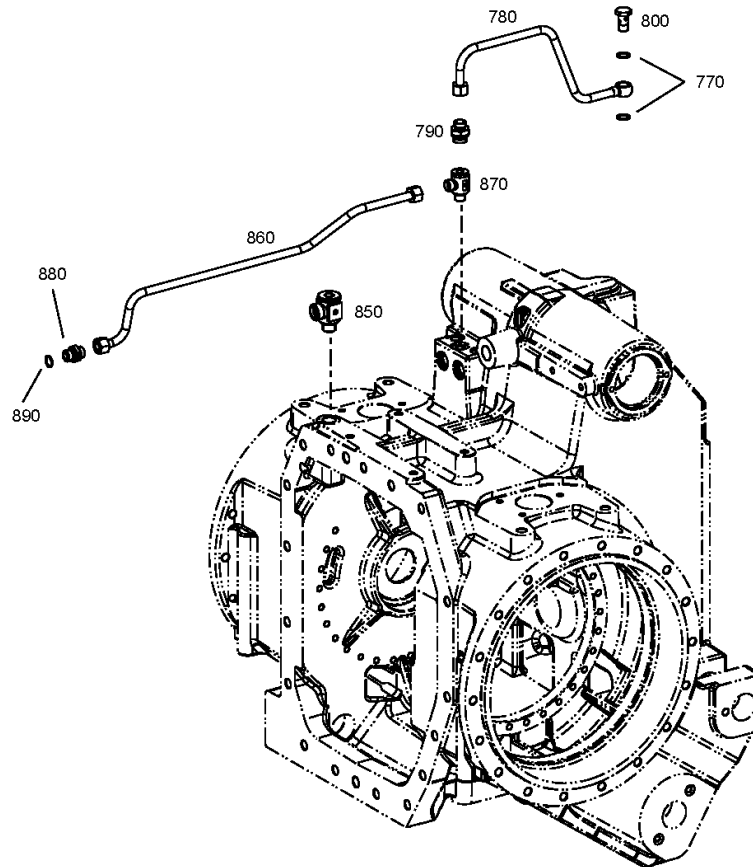
Material number: 2094.009.025

Picture: 209414740600

Material-assembly-group-no: 2094.147.406



T 7336 L /
OIL SUPPLY



Picture

Page 1 from 3

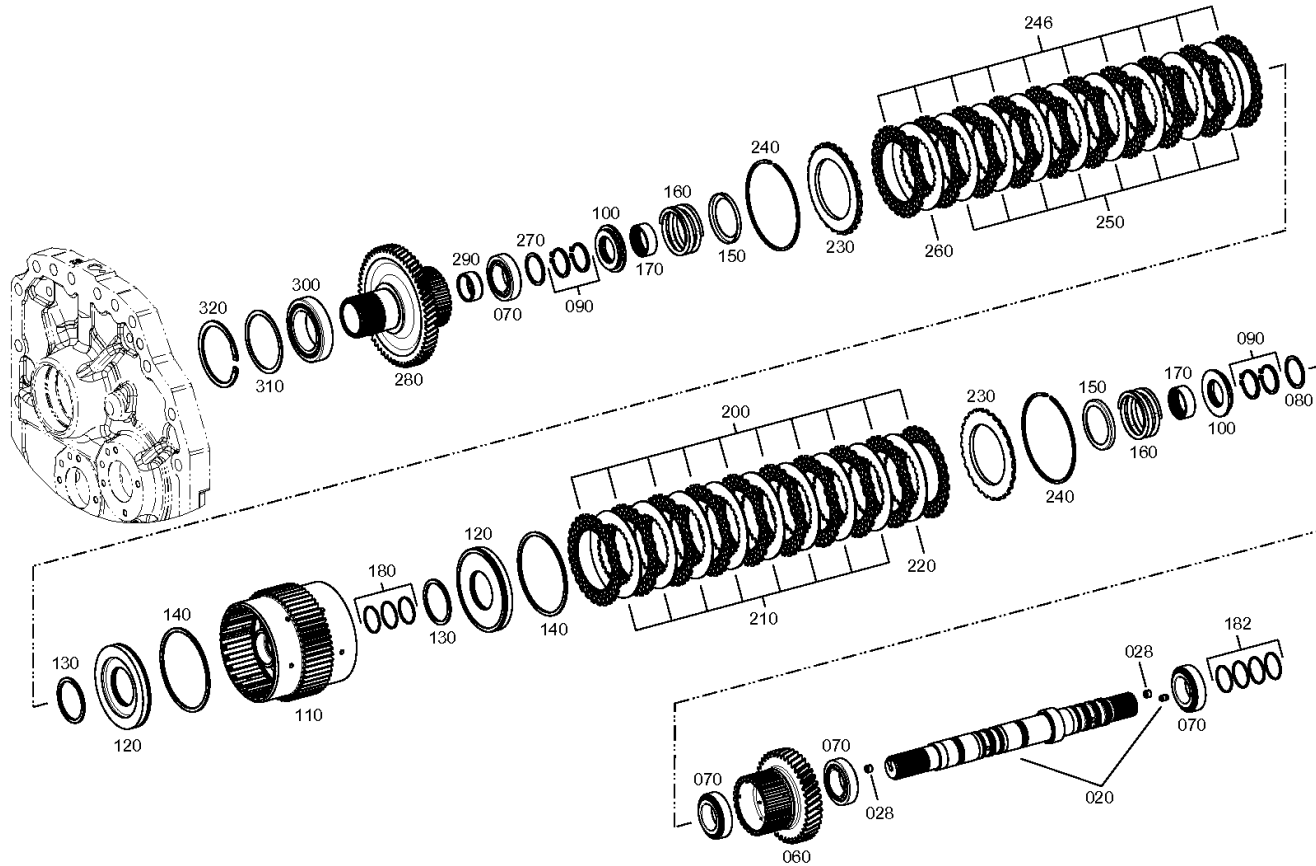
Material number: 2094.009.025

Picture: 209416801201

SPLITTER BOX



T 7336 L /
SPLITTER BOX



Picture

Page 2 from 3

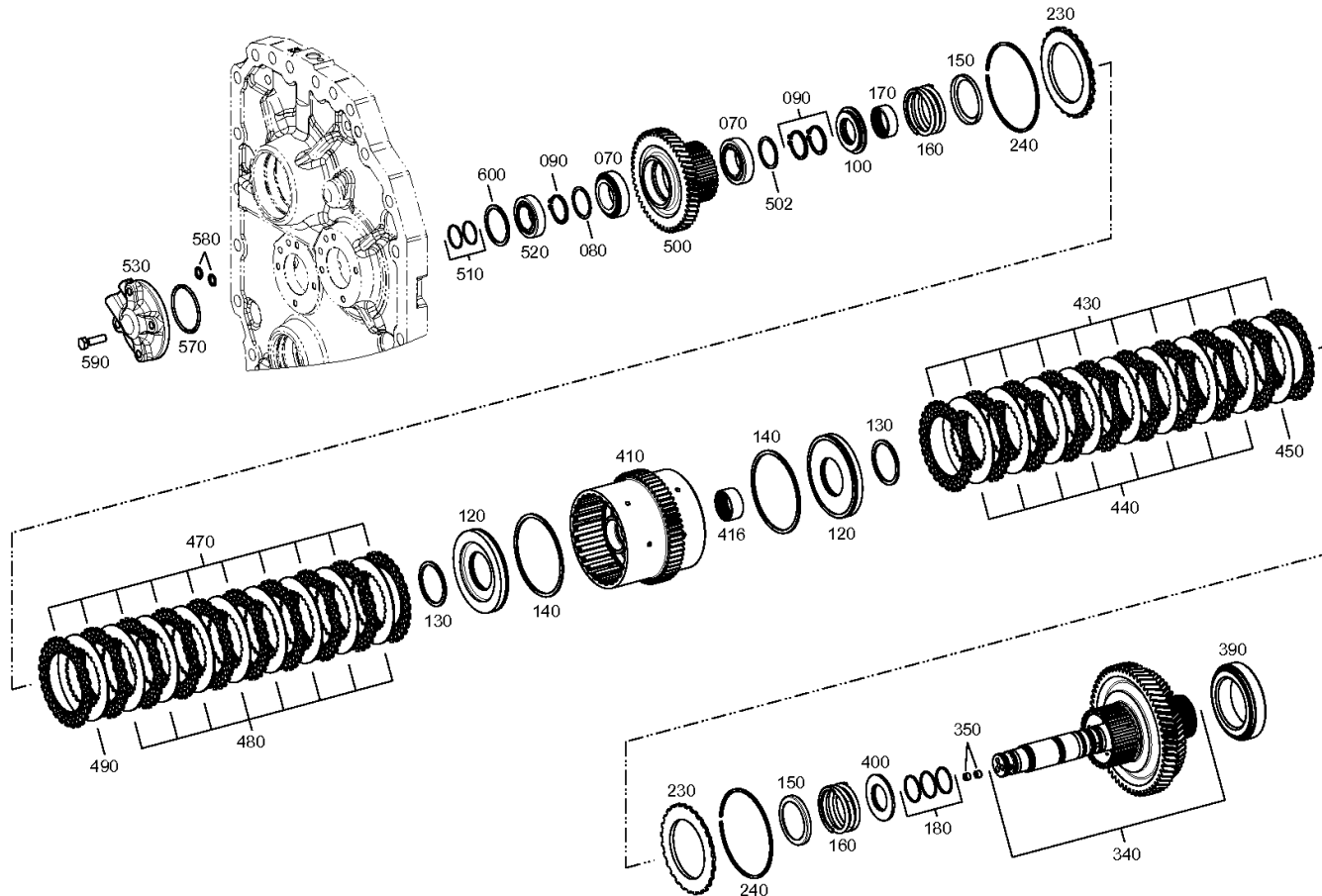
Material number: 2094.009.025

Picture: 209416801202

SPLITTER BOX



T 7336 L /
SPLITTER BOX



Picture

Page 3 from 3

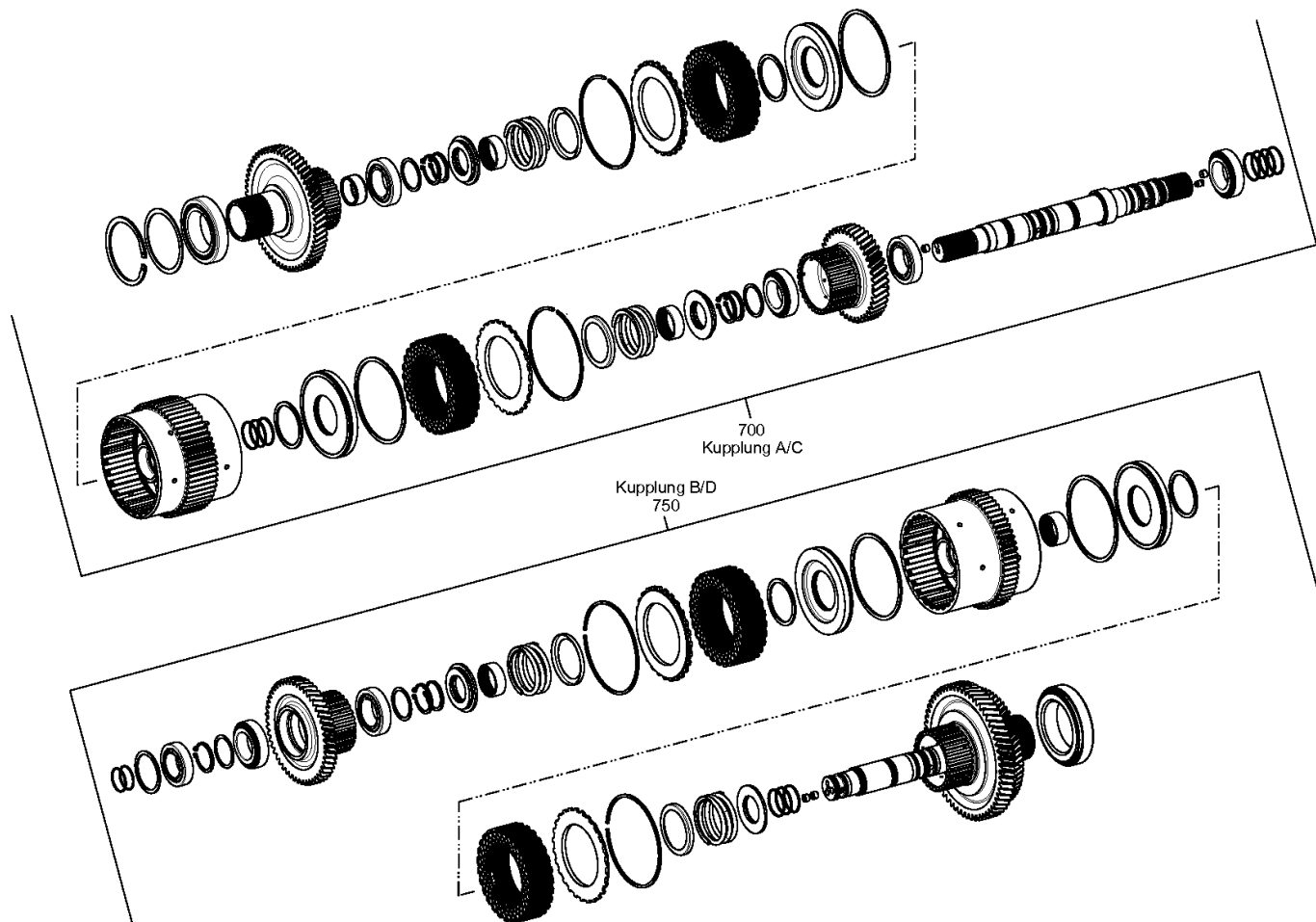
Material number: 2094.009.025

Picture: 209416801203

SPLITTER BOX



T 7336 L /
SPLITTER BOX



Picture

Page 1 from 1

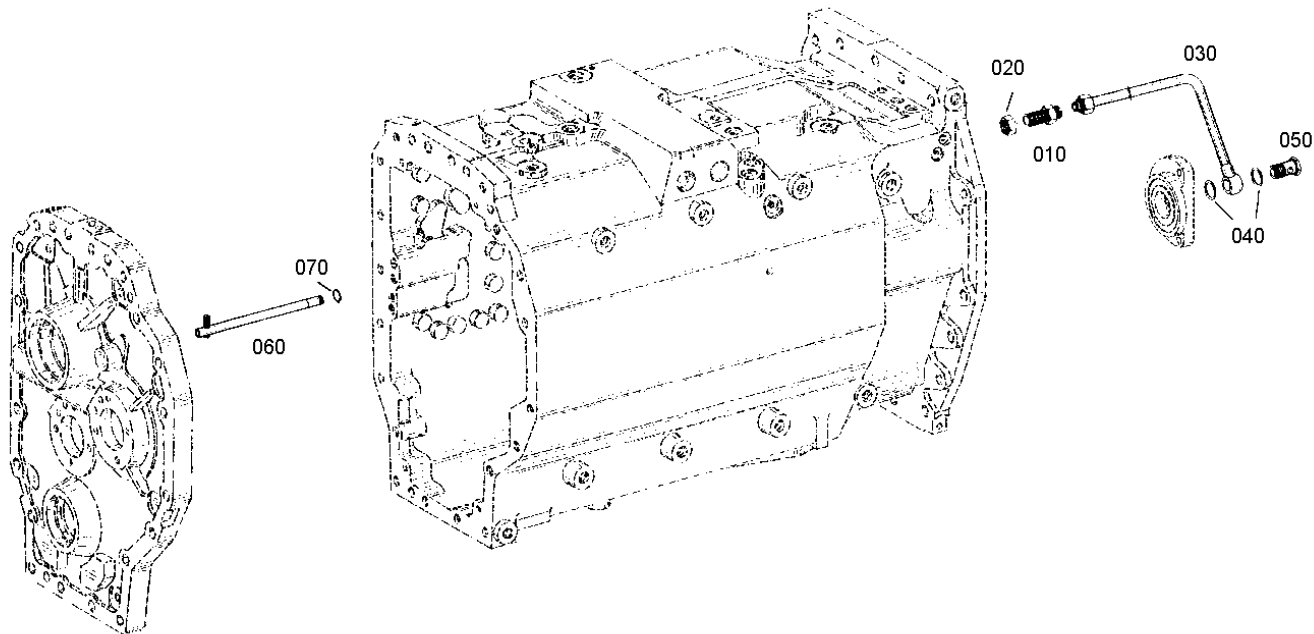
Material number: 2094.009.025

Picture: 209413600100

Material-assembly-group-no: 2094.136.001



T 7336 L /
OIL SUPPLY



Picture

Page 1 from 2

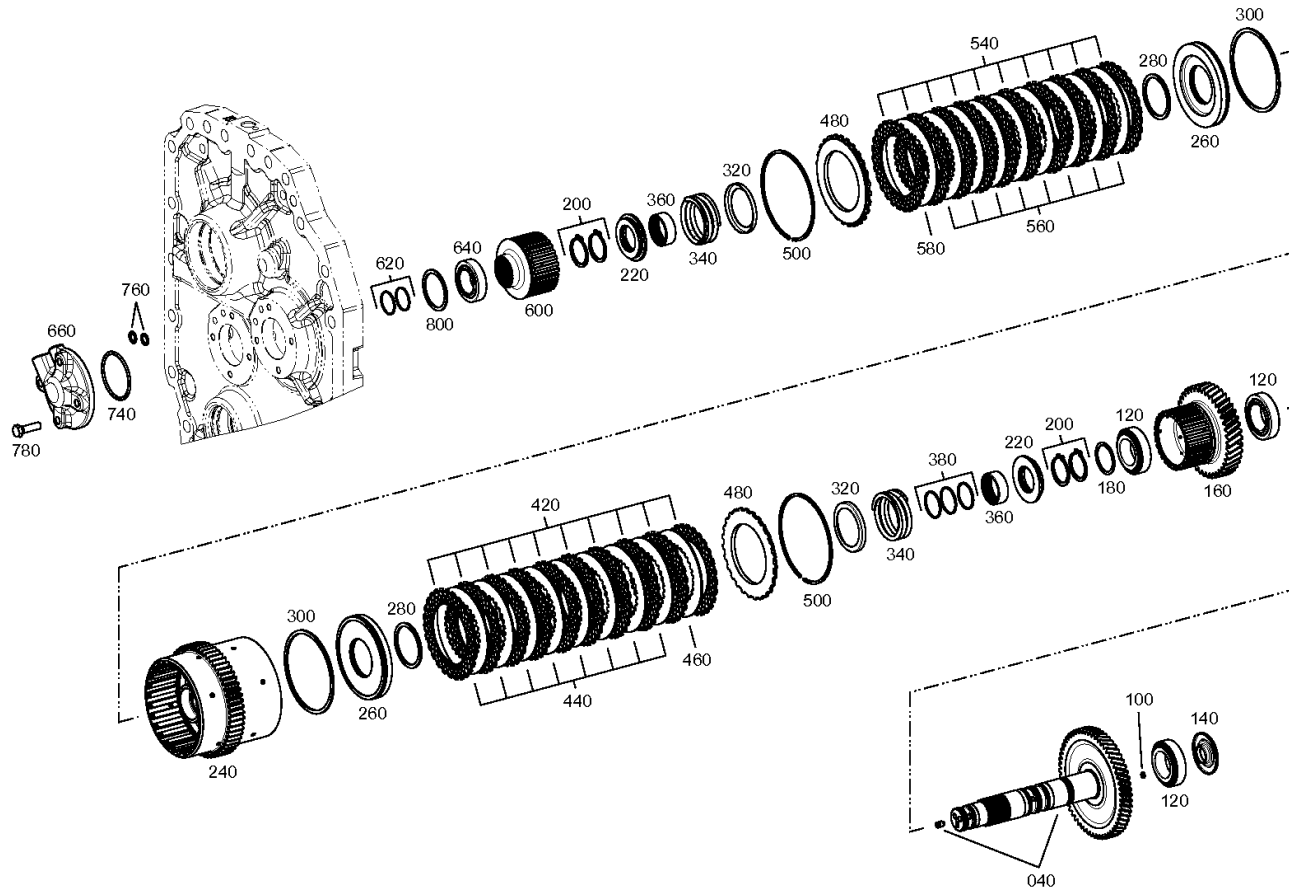
Material number: 2094.009.025

Picture: 209415900901

LASTSCHALTGR



T 7336 L /
LASTSCHALTGR



Picture

Page 2 from 2

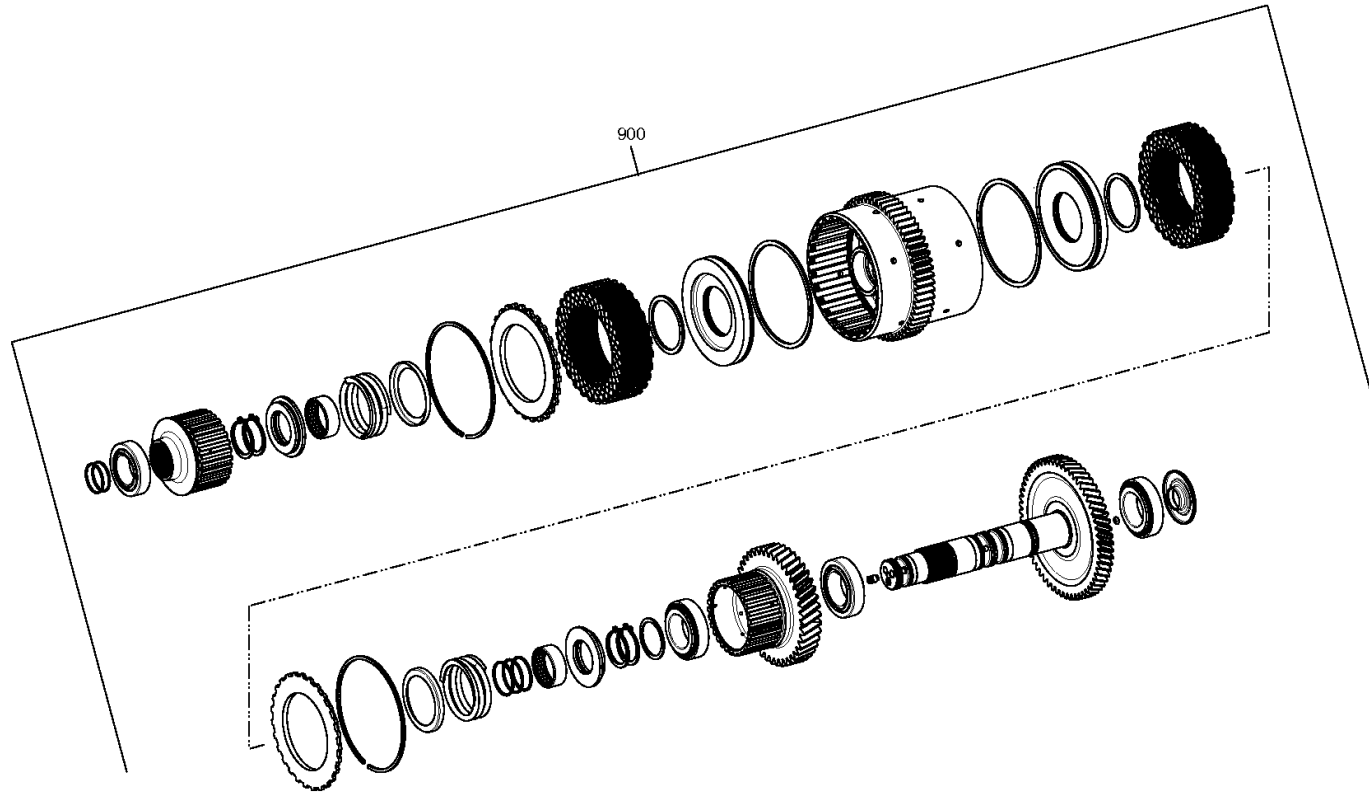
Material number: 2094.009.025

Picture: 209415900902

LASTSCHALTGR



T 7336 L /
LASTSCHALTGR



Picture

Page 1 from 2

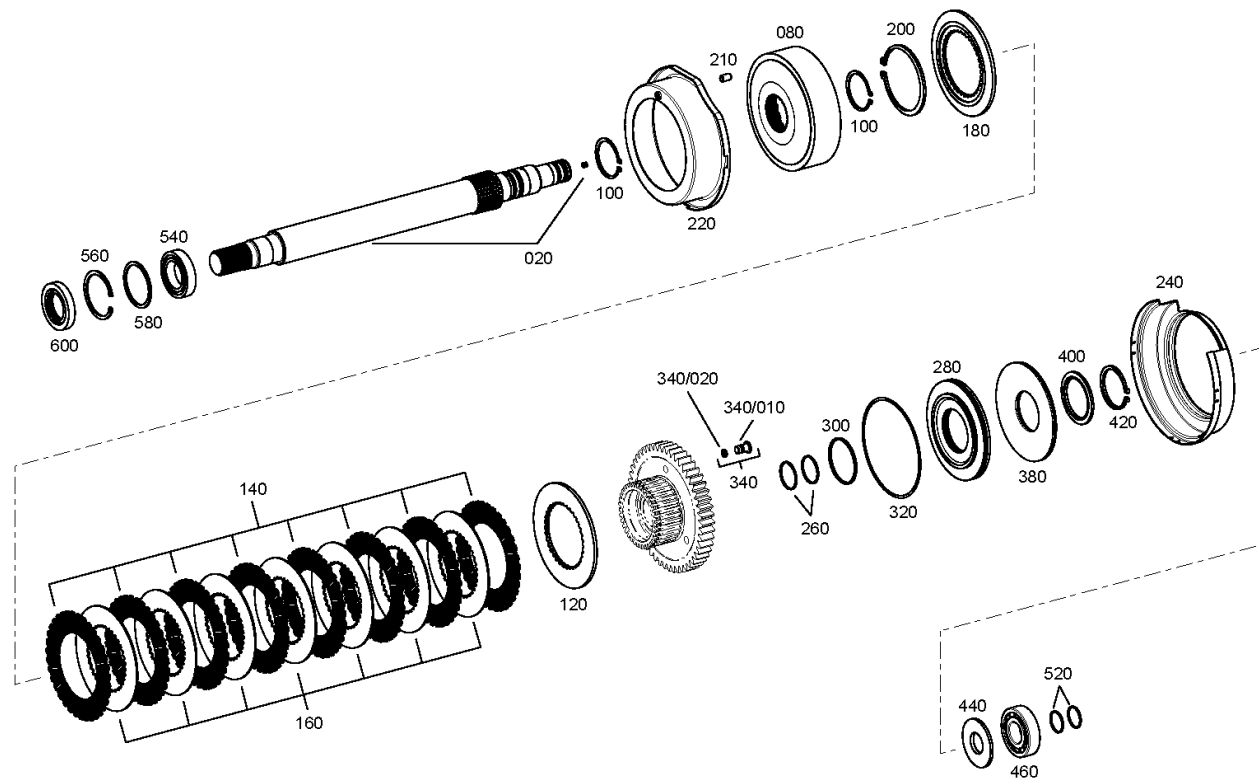
Material number: 2094.009.025

Picture: 209414601000

Material-assembly-group-no: 2094.146.010



T 7336 L /
FRONT WH.DRIVE



Picture

Page 2 from 2

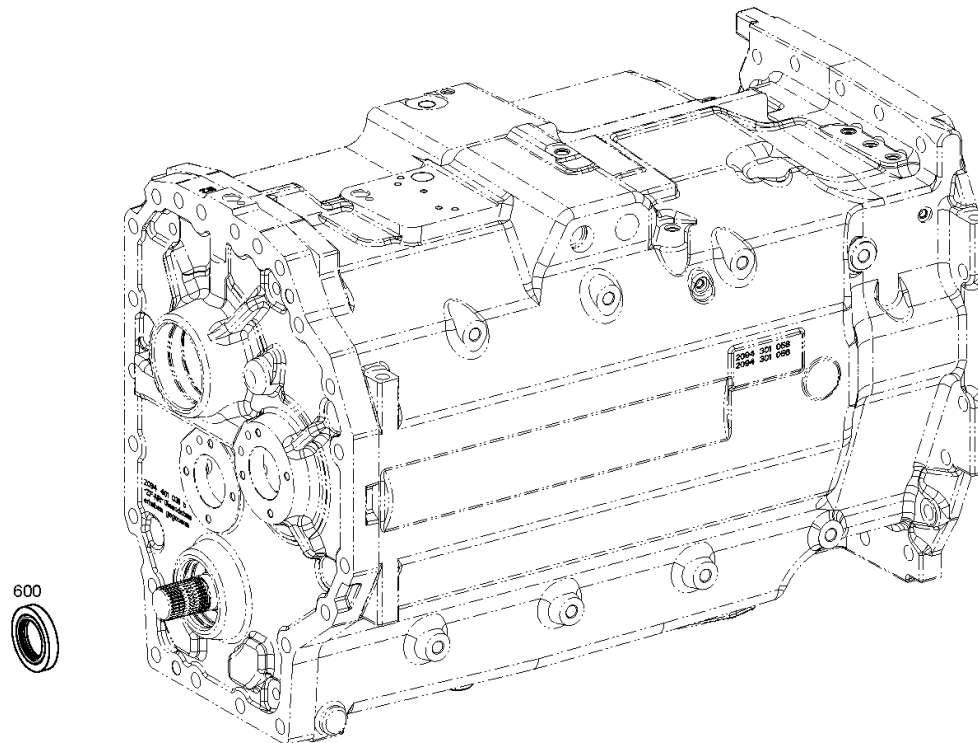
Material number: 2094.009.025

Picture: 209414601080

Material-assembly-group-no: 2094.146.010



T 7336 L /
FRONT WH.DRIVE



Picture

Page 1 from 1

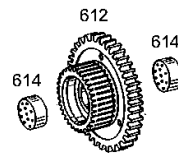
Material number: 2094.009.025

Picture: 209414641000

Material-assembly-group-no: 2094.146.410



T 7336 L /
FRONT WH.DRIVE



Picture

Page 1 from 1

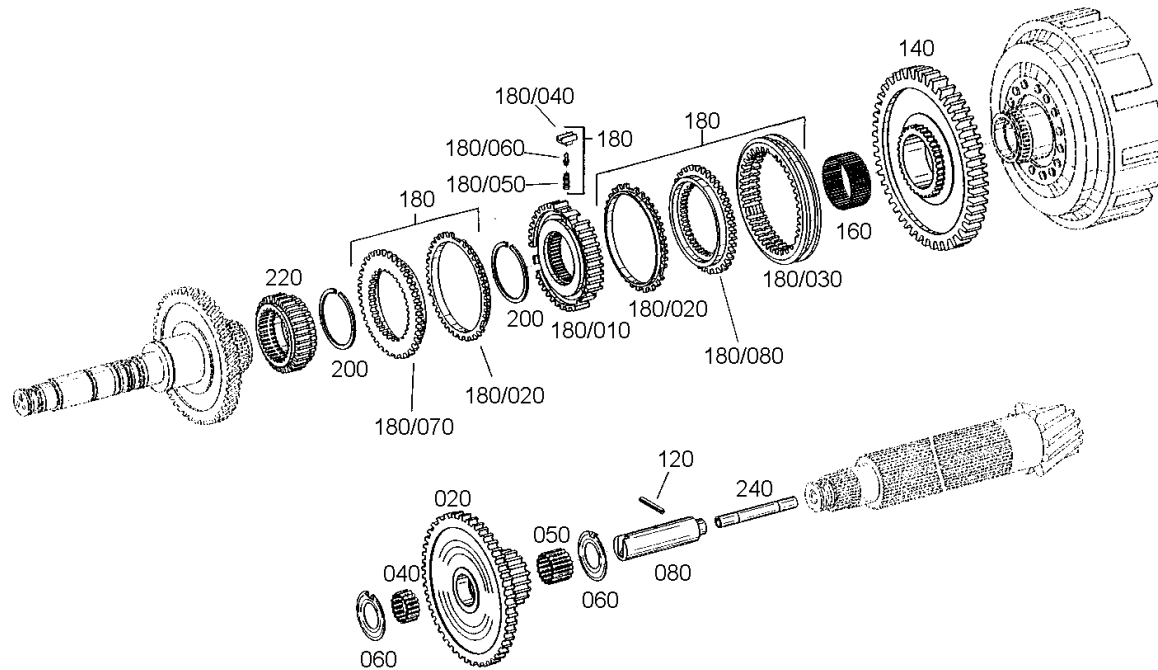
Material number: 2094.009.025

Picture: 209411400200

Material-assembly-group-no: 2094.114.006



T 7336 L /
CRAWLER



Picture

Page 1 from 1

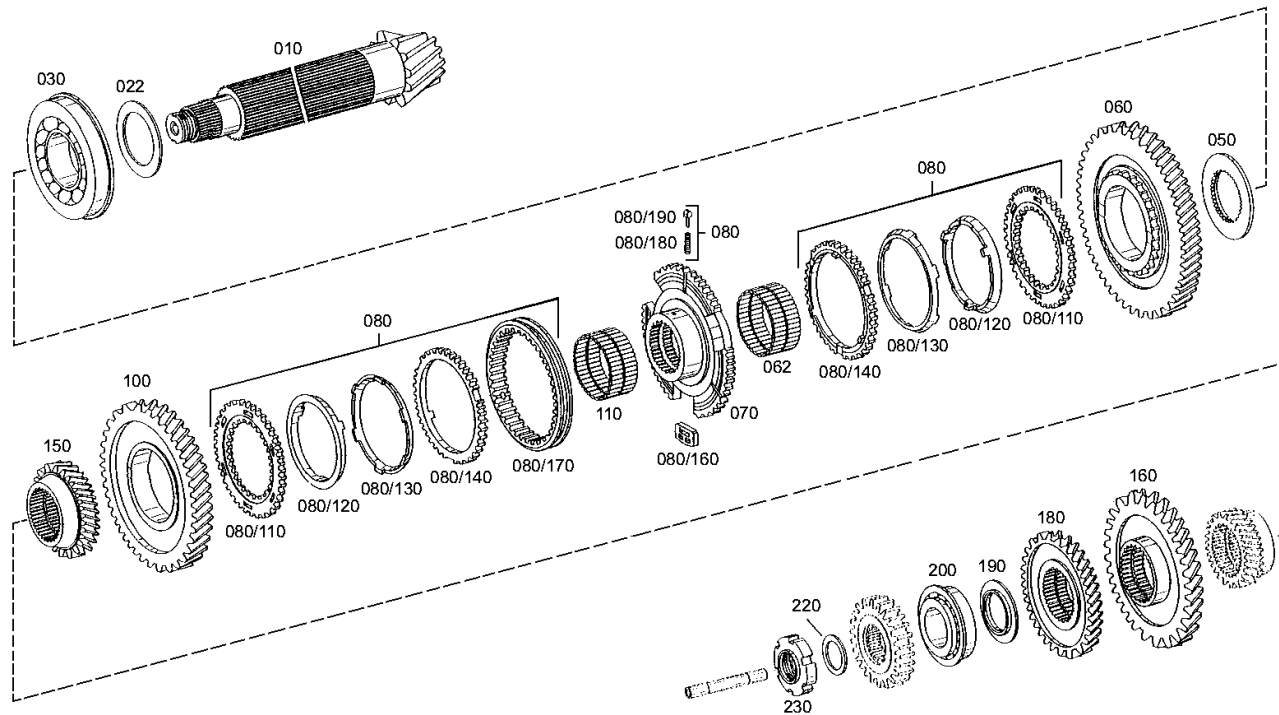
Material number: 2094.009.025

Picture: 209410401200

Material-assembly-group-no: 2094.104.012



T 7336 L /
MAIN SHAFT



Picture

Page 1 from 1

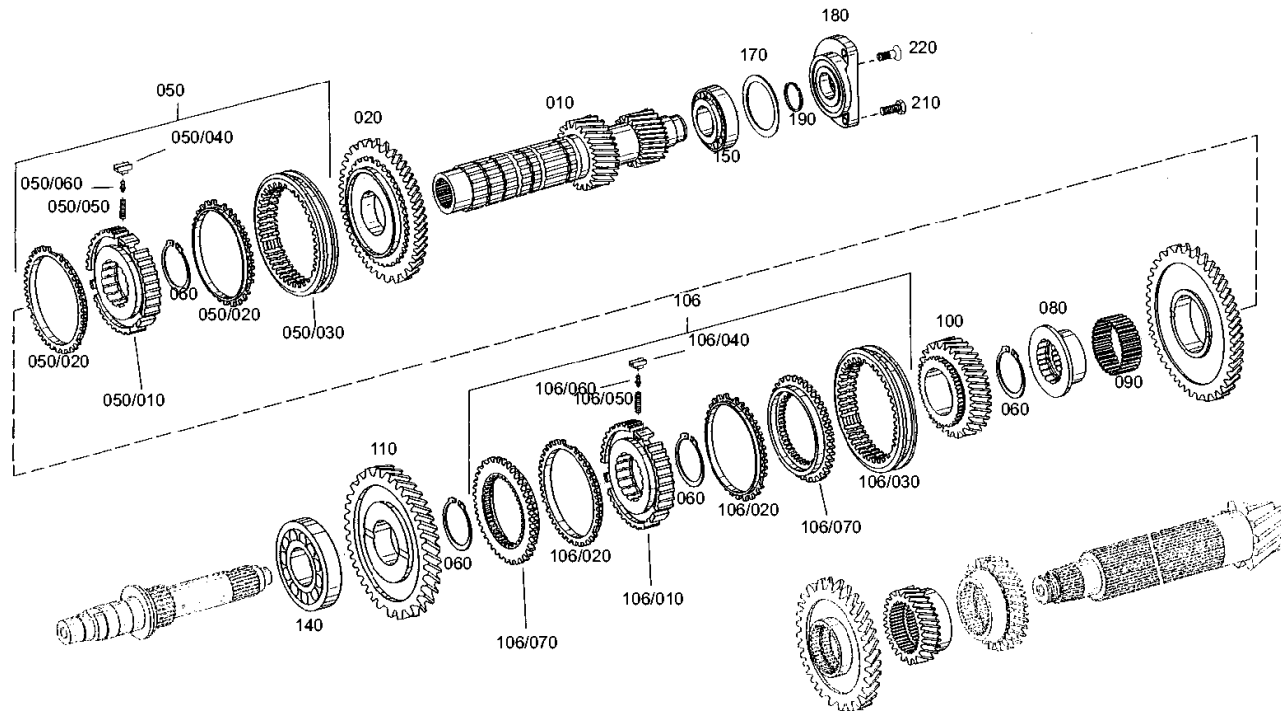
Material number: 2094.009.025

Picture: 209410301100

Material-assembly-group-no: 2094.103.011



T 7336 L /
COUNTERSHAFT



Picture

Page 1 from 1

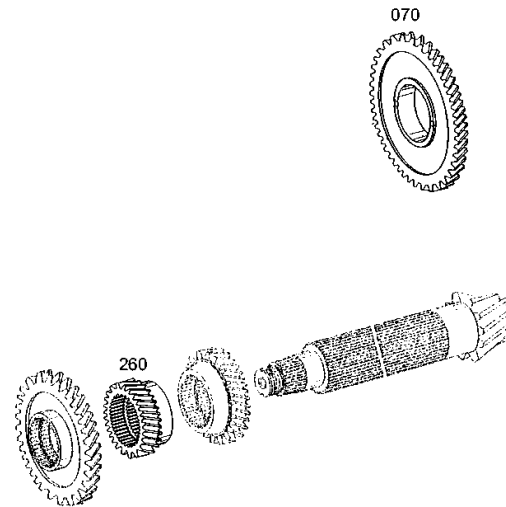
Material number: 2094.009.025

Picture: 209410340700

Material-assembly-group-no: 2094.103.407



T 7336 L /
COUNTERSHAFT



Picture

Page 1 from 1

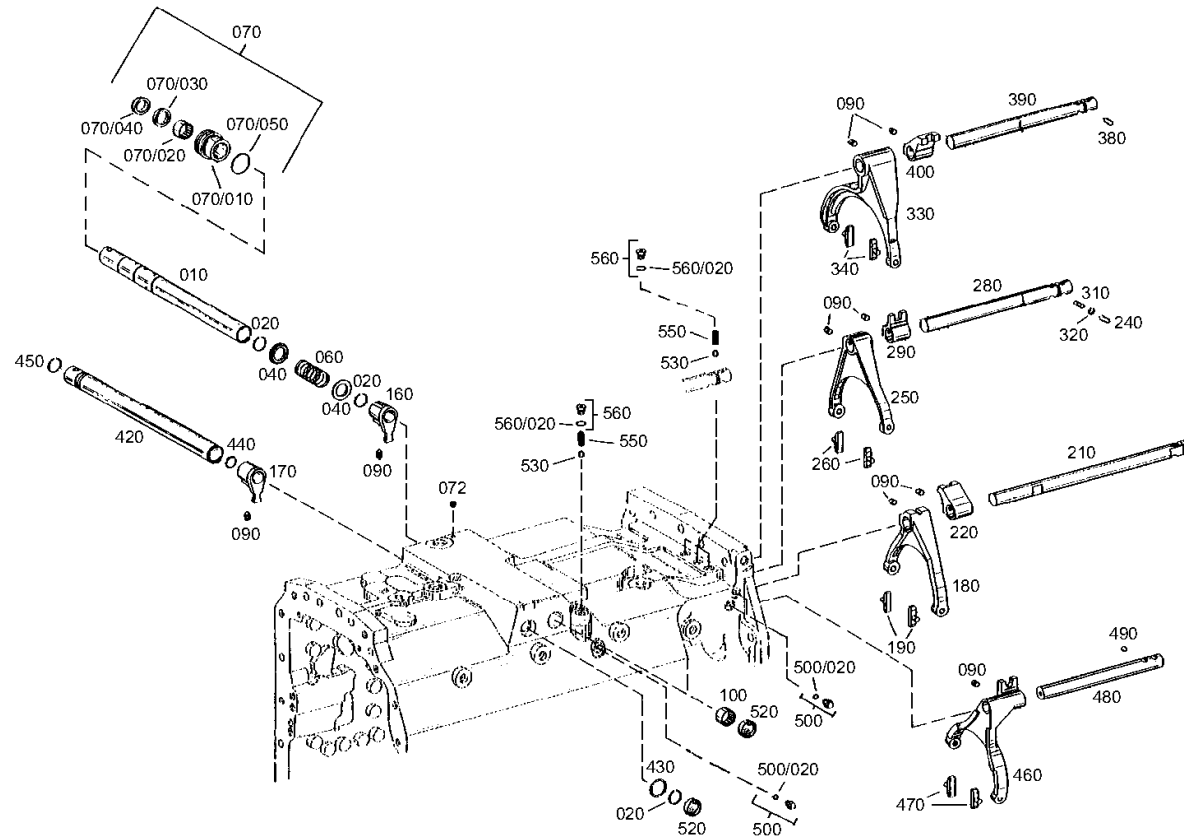
Material number: 2094.009.025

Picture: 209410601300

Material-assembly-group-no: 2094.106.013



T 7336 L /
SHIFT SYSTEM



Picture

Page 1 from 2

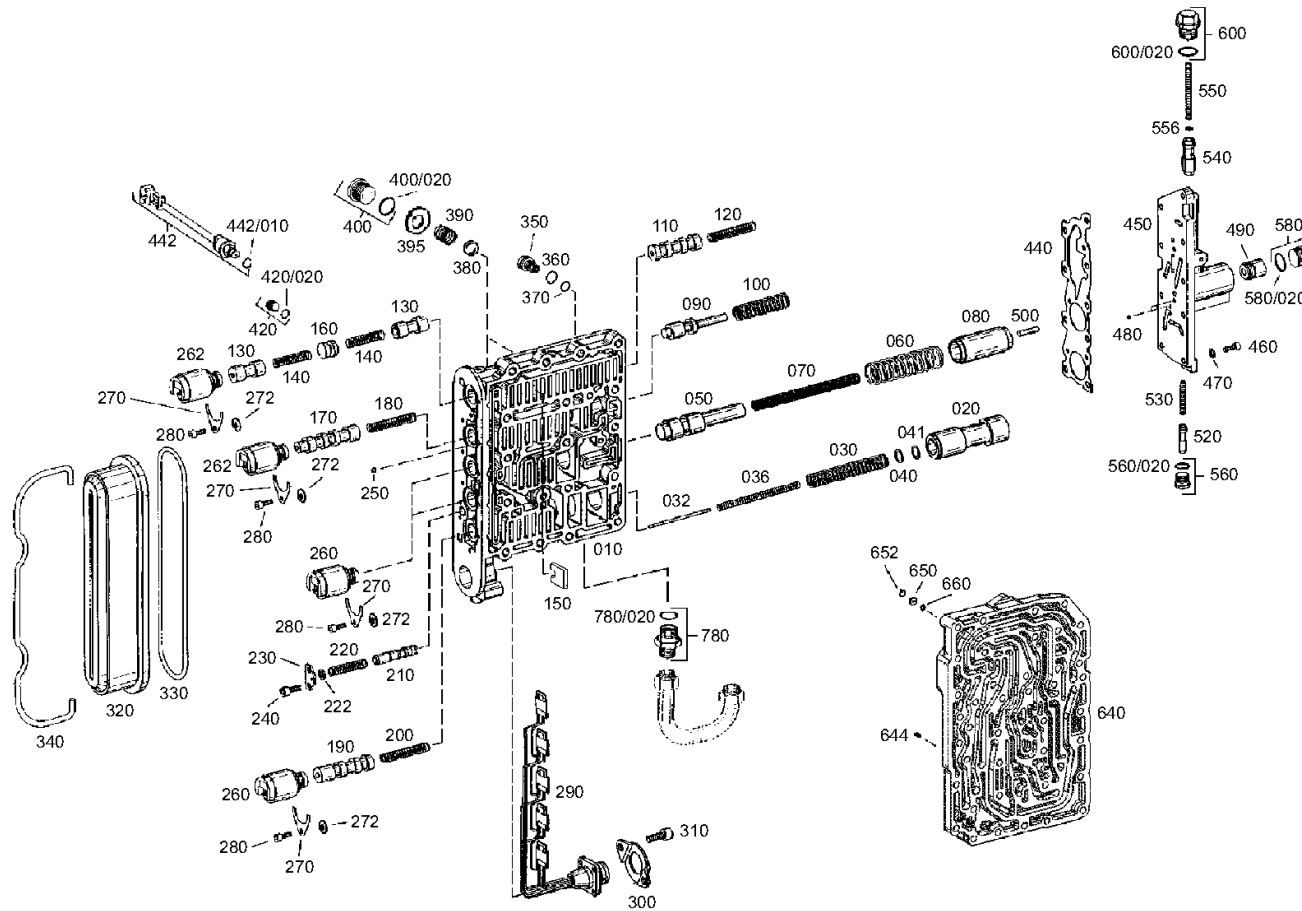
Material number: 2094.009.025

Picture: 209415201000

Material-assembly-group-no: 2094.152.010



T 7336 L /
HYDR.CONTROL



Picture

Page 2 from 2

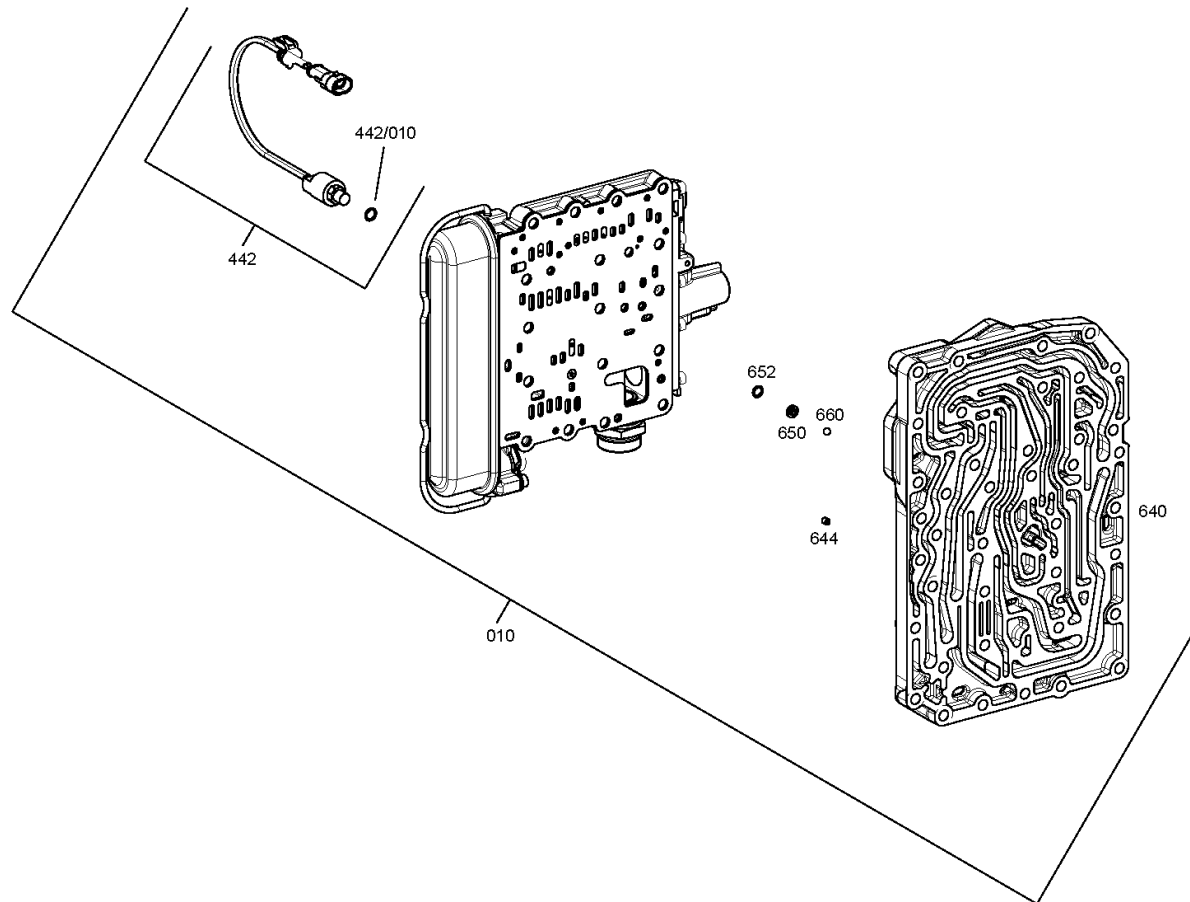
Material number: 2094.009.025

Picture: 209415201080

Material-assembly-group-no: 2094.152.010



T 7336 L /
HYDR.CONTROL



Picture

Page 1 from 1

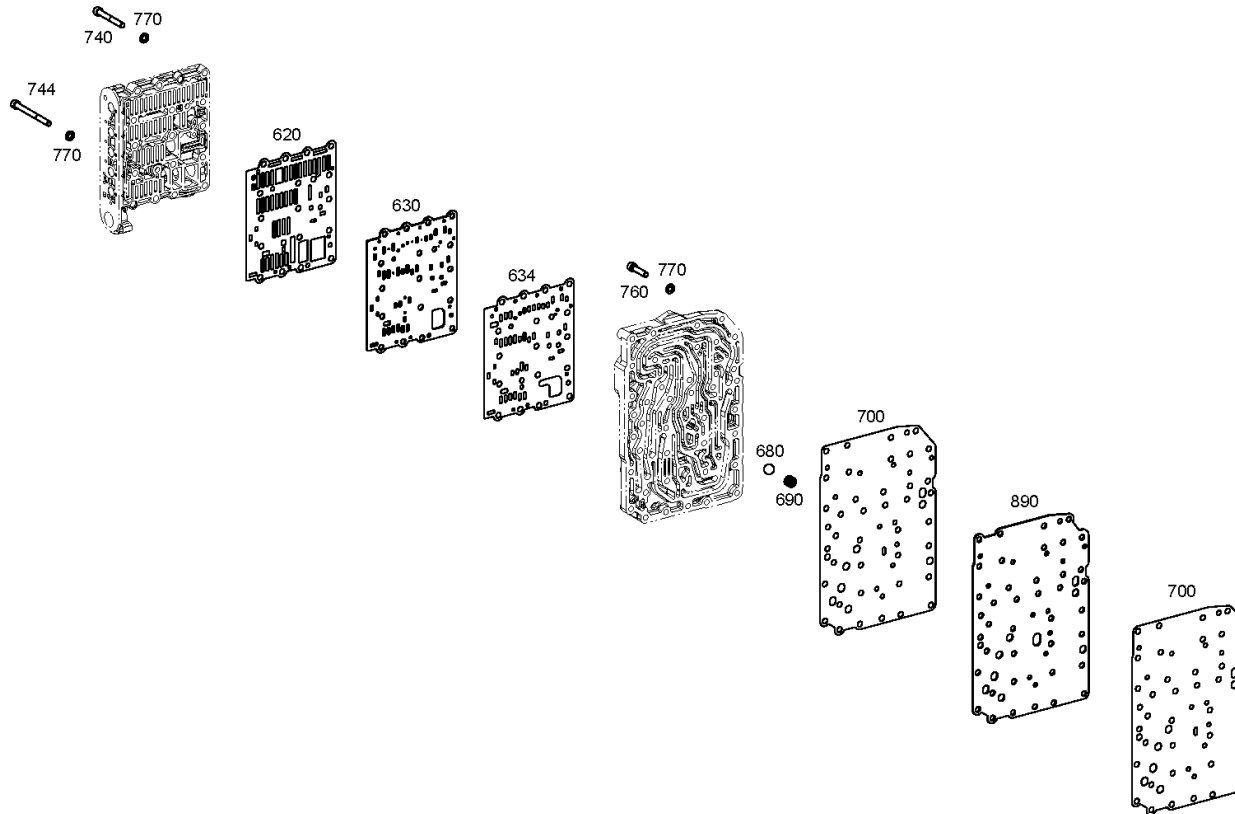
Material number: 2094.009.025

Picture: 209415240000

Material-assembly-group-no: 2094.152.400



T 7336 L /
HYDR.CONTROL



Picture

Page 1 from 2

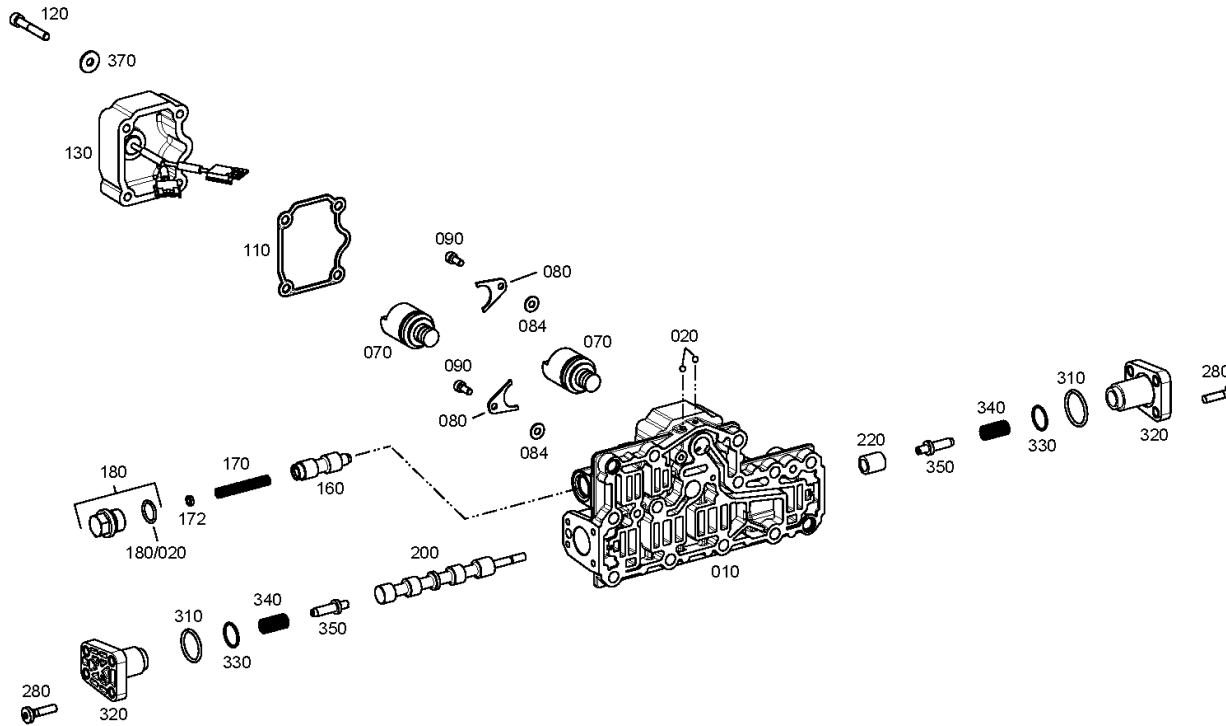
Material number: 2094.009.025

Picture: 209417701000

Material-assembly-group-no: 2094.177.010



T 7336 L /
HYDRAUL.CONTROL



Picture

Page 2 from 2

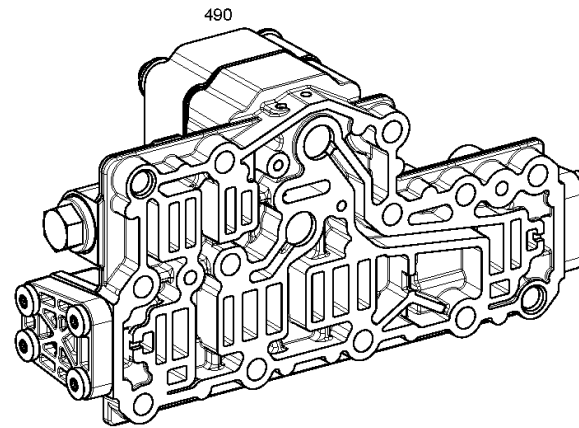
Material number: 2094.009.025

Picture: 209417701080

Material-assembly-group-no: 2094.177.010



T 7336 L /
HYDRAUL.CONTROL



Picture

Page 1 from 1

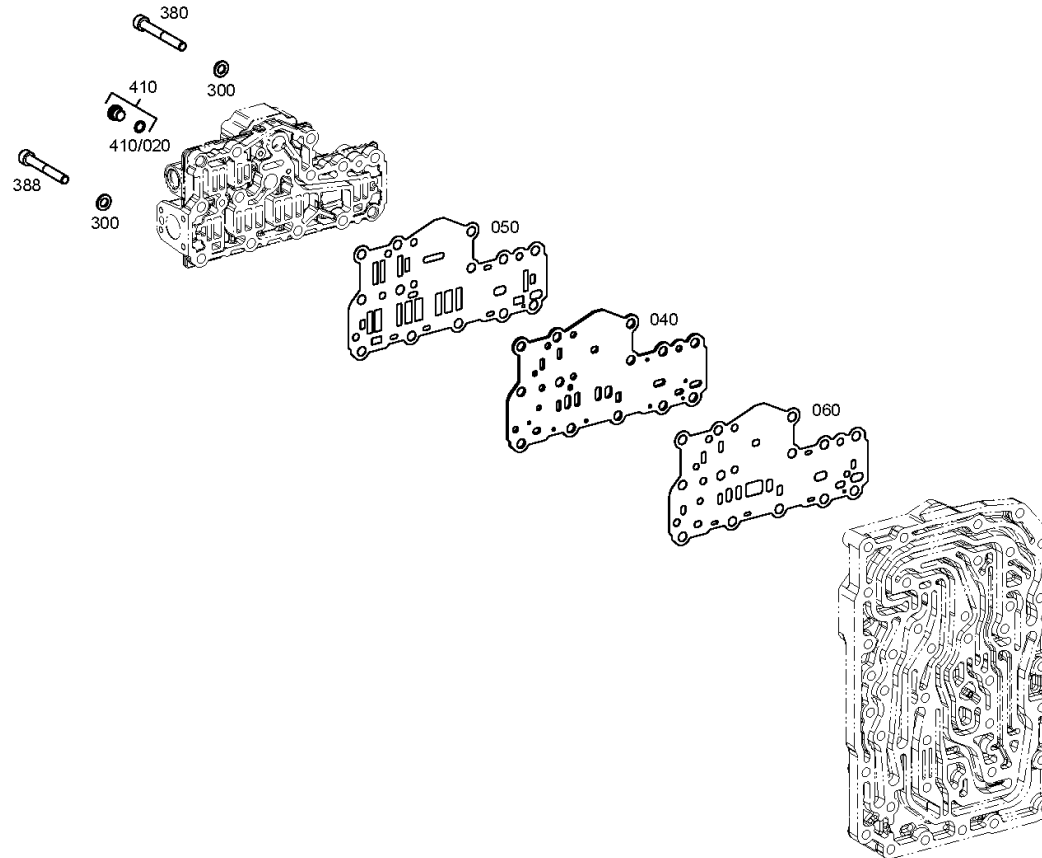
Material number: 2094.009.025

Picture: 209417740300

Material-assembly-group-no: 2094.177.403



T 7336 L /
HYDR.CONTROL



Picture

Page 1 from 1

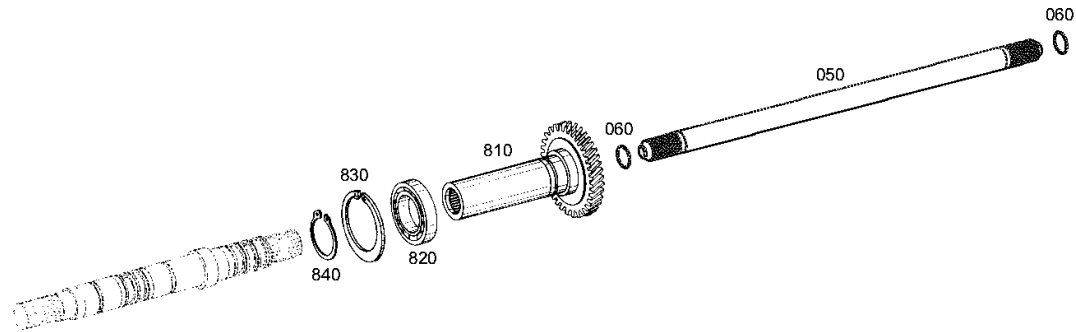
Material number: 2094.009.025

Picture: 209411001300

Material-assembly-group-no: 2094.110.013



T 7336 L /
P.T.O. SHAFT



Picture

Page 1 from 1

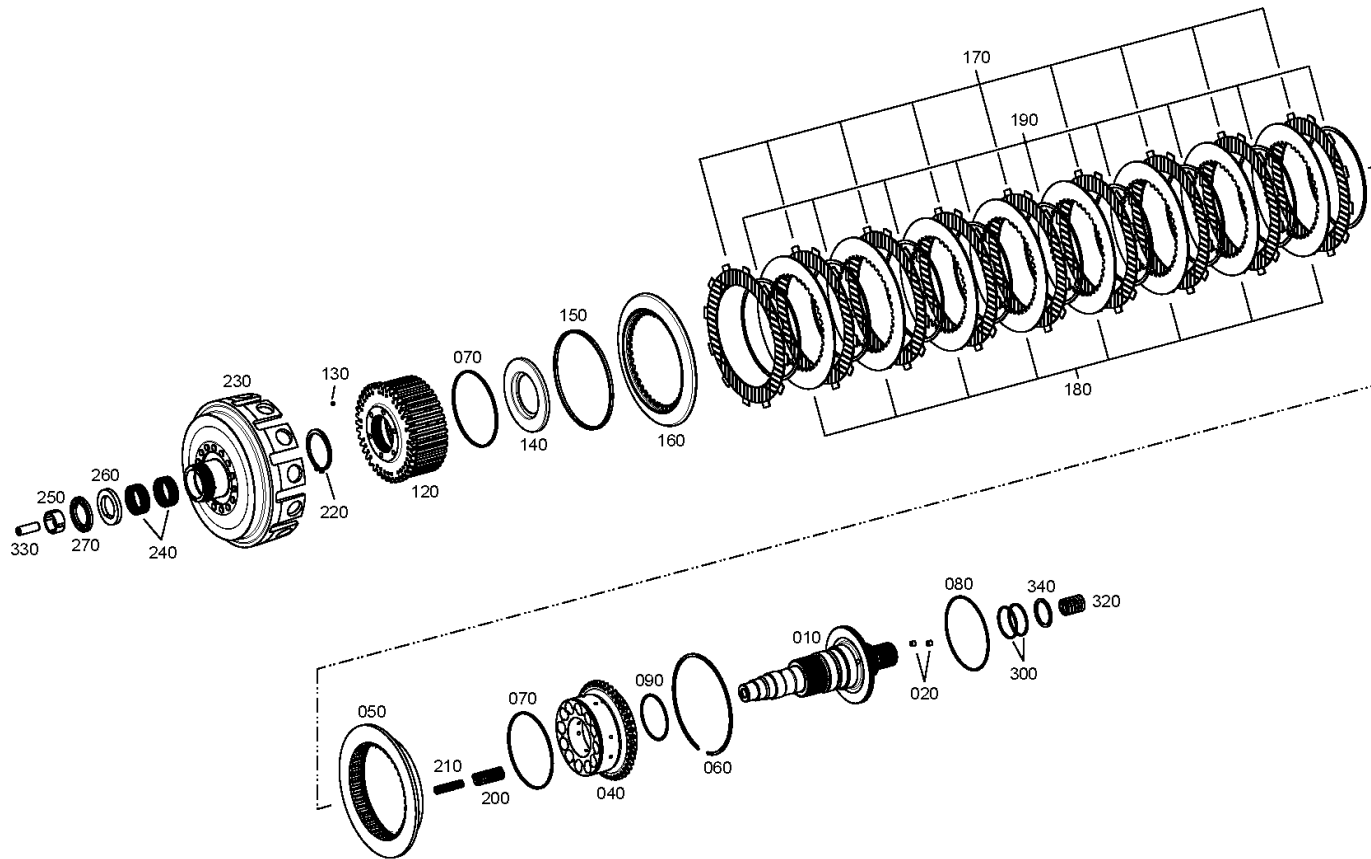
Material number: 2094.009.025

Picture: 209417100600

Material-assembly-group-no: 2094.171.006



T 7336 L /
MAIN CLUTCH



Picture

Page 1 from 1

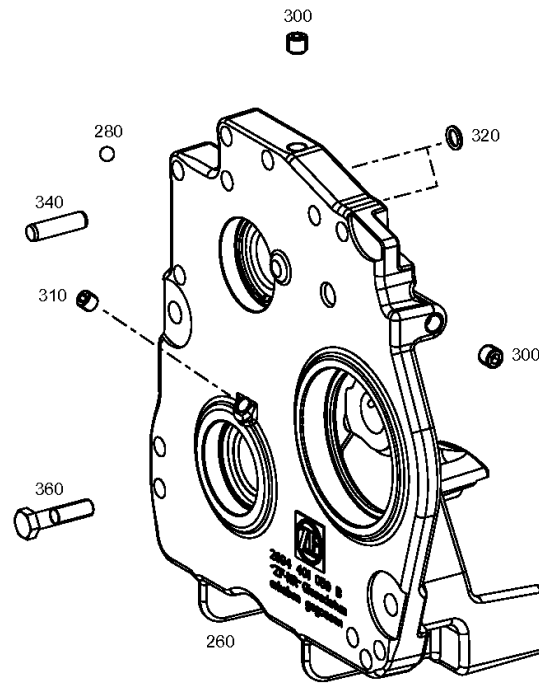
Material number: 2094.009.025

Picture: 209412401200

Material-assembly-group-no: 2094.124.012



T 7336 L /
CLOSING COMPONENTS



Picture

Page 1 from 1

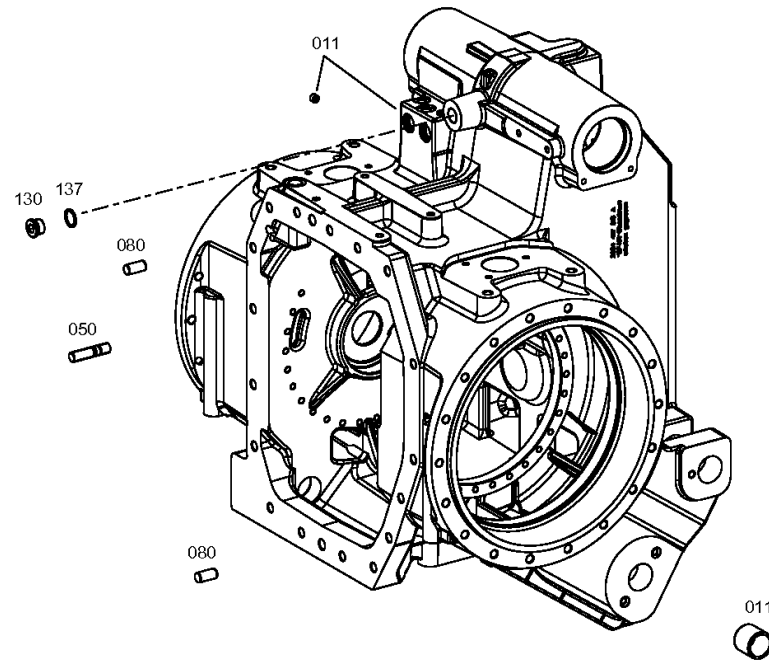
Material number: 2094.027.015

Picture: 209411700700

Material-assembly-group-no: 2094.117.007



T 7336 L /
REAR AXLE HOUS.



Picture

Page 1 from 2

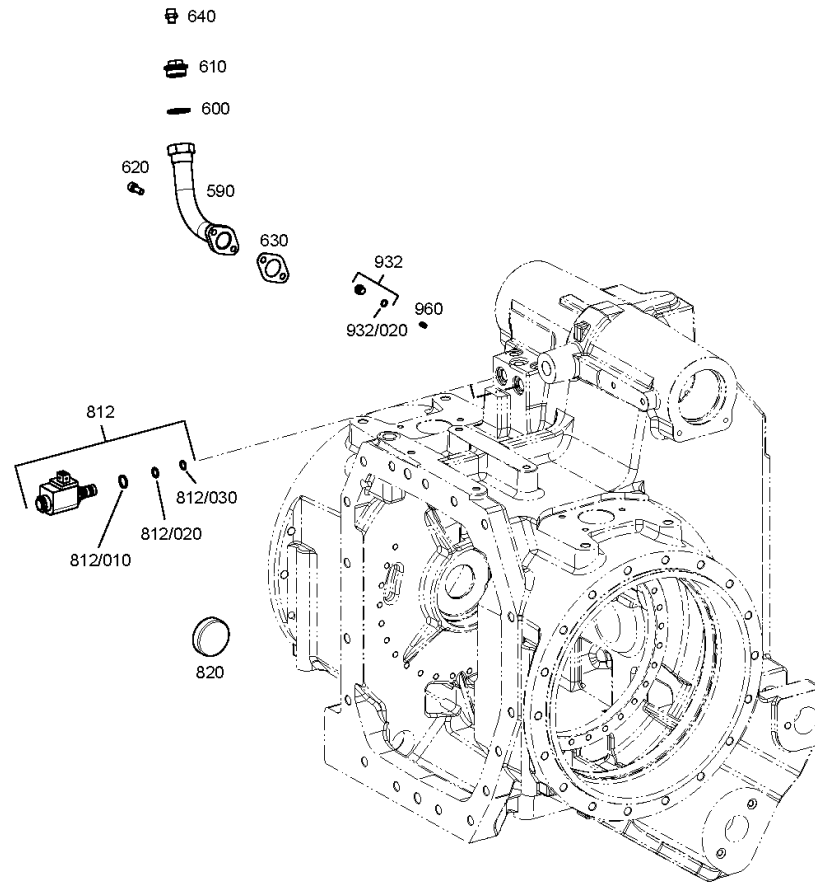
Material number: 2094.027.015

Picture: 209414700900

Material-assembly-group-no: 2094.147.009



T 7336 L /
OIL SUPPLY



Picture

Page 2 from 2

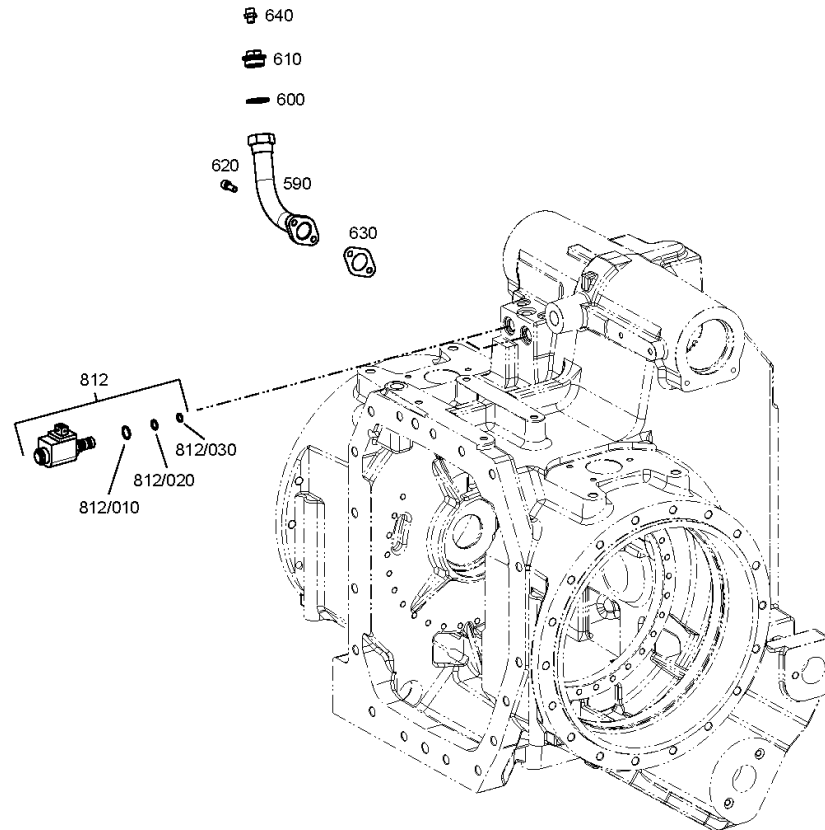
Material number: 2094.027.015

Picture: 209414700980

Material-assembly-group-no: 2094.147.009



T 7336 L /
OIL SUPPLY



Picture

Page 1 from 1

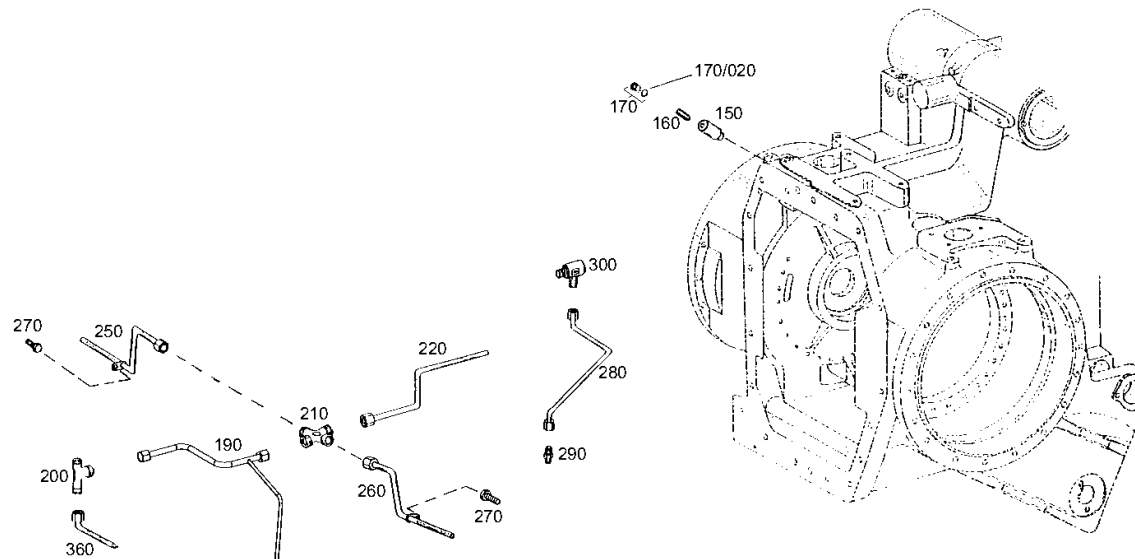
Material number: 2094.027.015

Picture: 209413600300

Material-assembly-group-no: 2094.136.003



T 7336 L /
OIL SUPPLY



Picture

Page 1 from 1

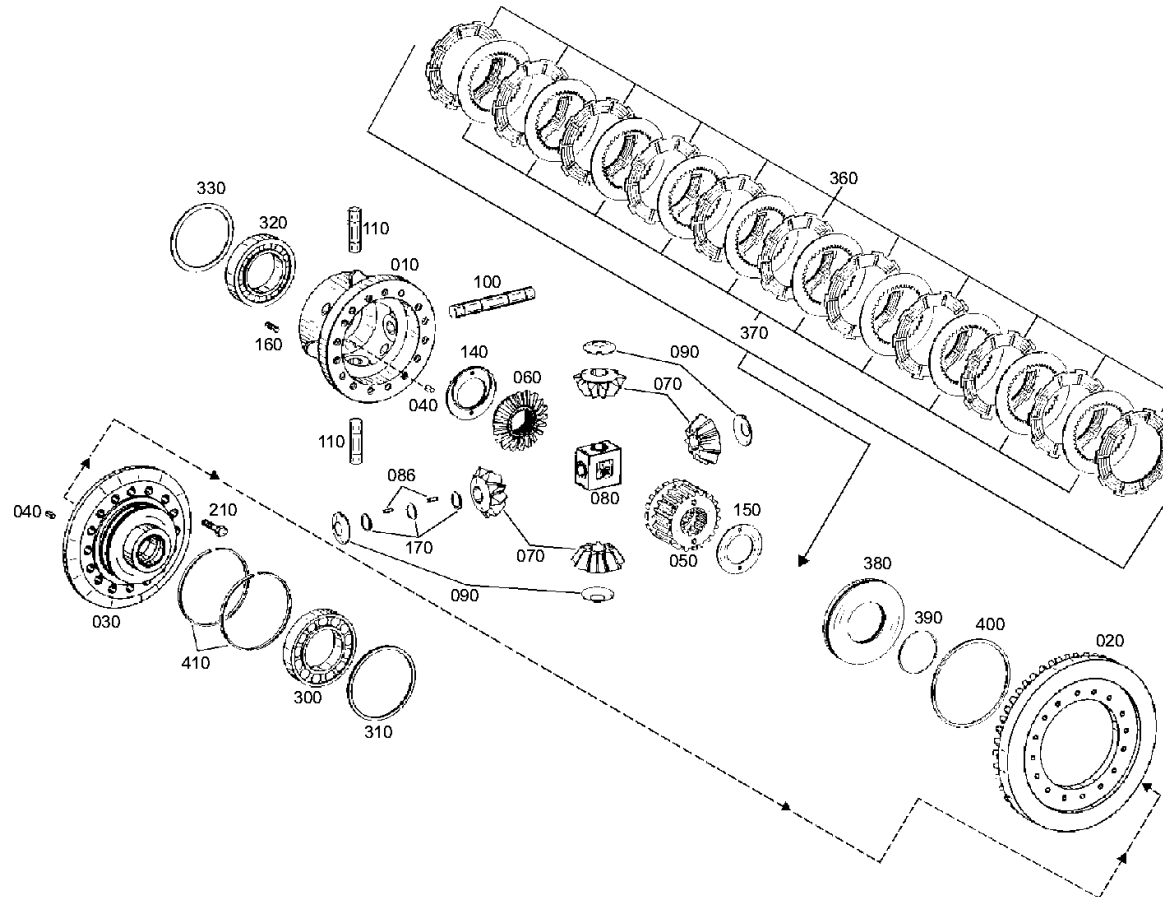
Material number: 2094.027.015

Picture: 209410900300

Material-assembly-group-no: 2094.109.003



T 7336 L /
DIFFERENTIAL



Picture

Page 1 from 2

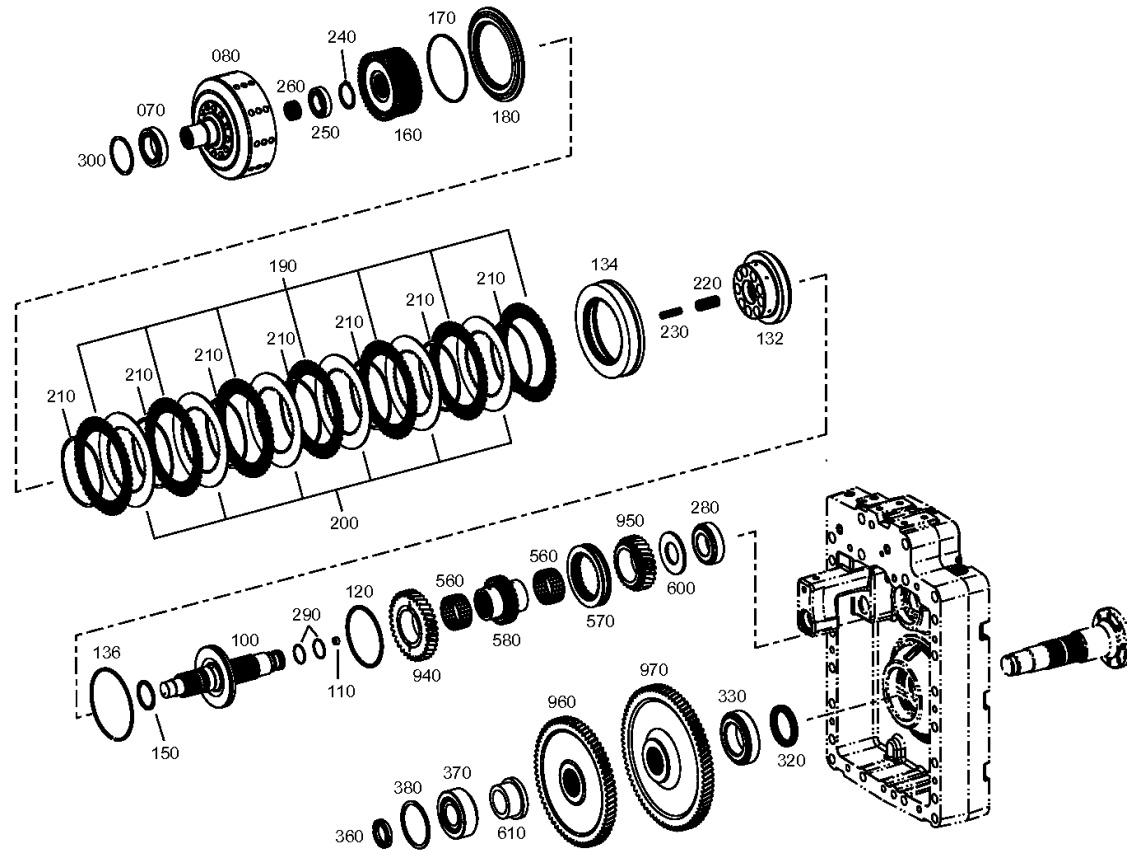
Material number: 2094.027.015

Picture: 209411001401

Material-assembly-group-no: 2094.110.014



T 7336 L /
P.T.O. SHAFT



Picture

Page 2 from 2

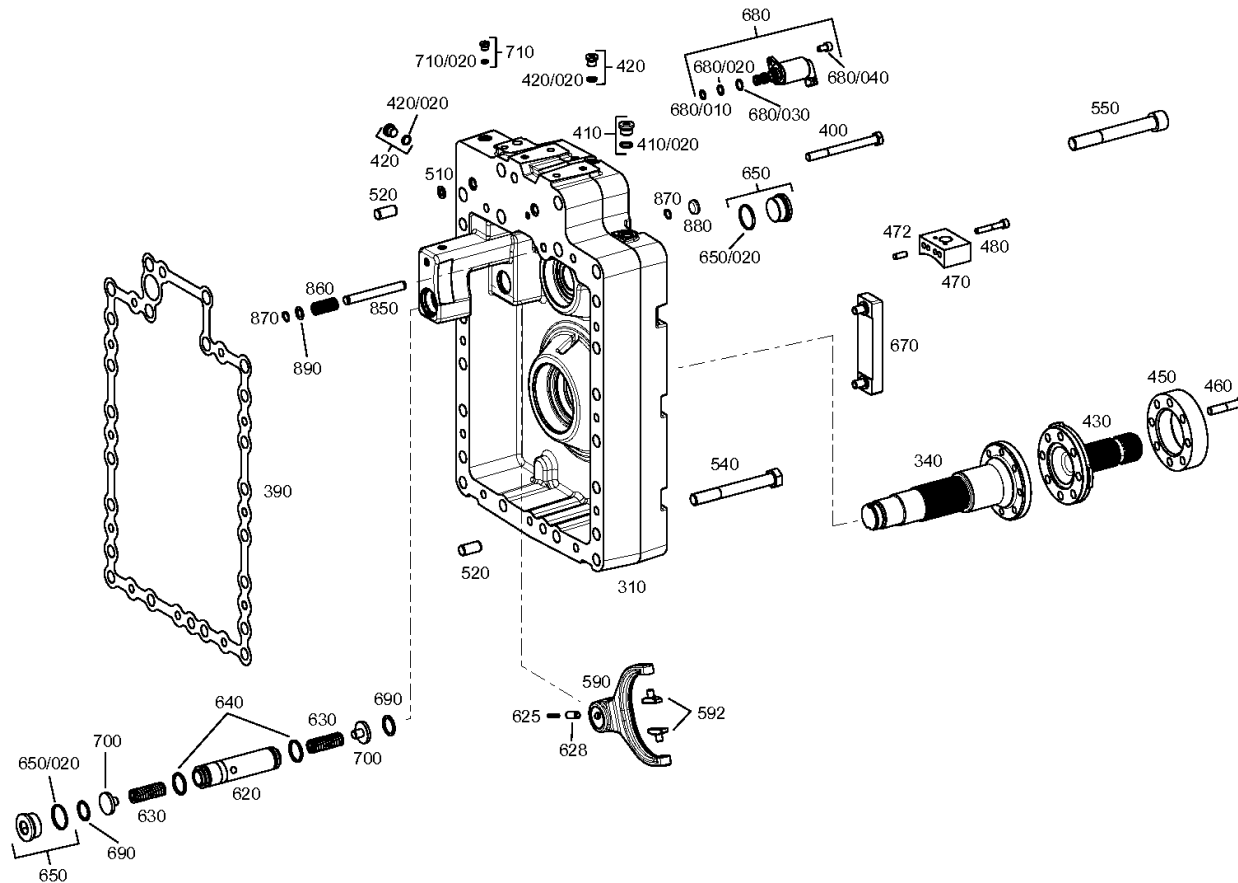
Material number: 2094.027.015

Picture: 209411001402

Material-assembly-group-no: 2094.110.014



T 7336 L /
P.T.O. SHAFT



Picture

Page 1 from 2

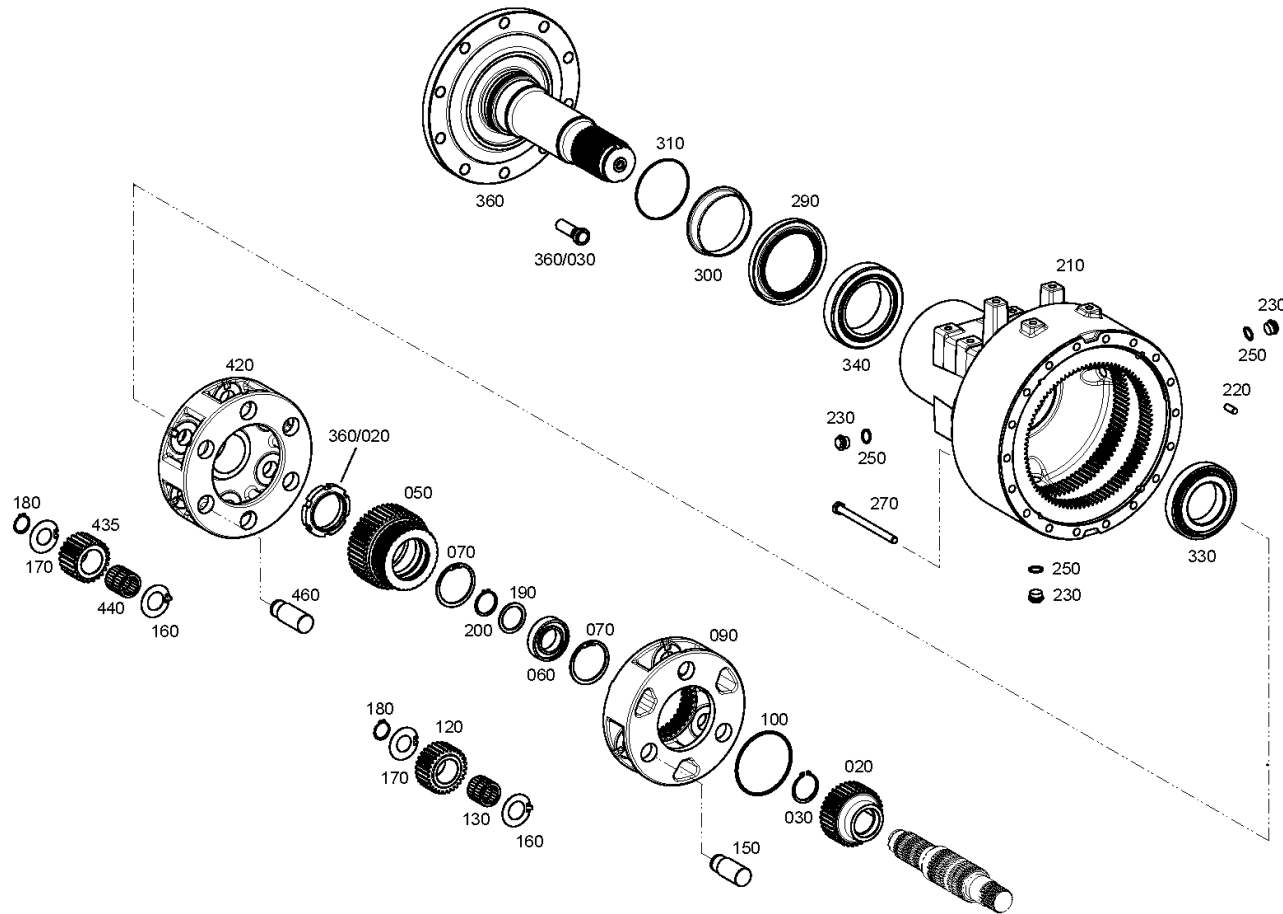
Material number: 2094.027.015

Picture: 209411101401

Material-assembly-group-no: 2094.111.014



T 7336 L /
OUTPUT



Picture

Page 2 from 2

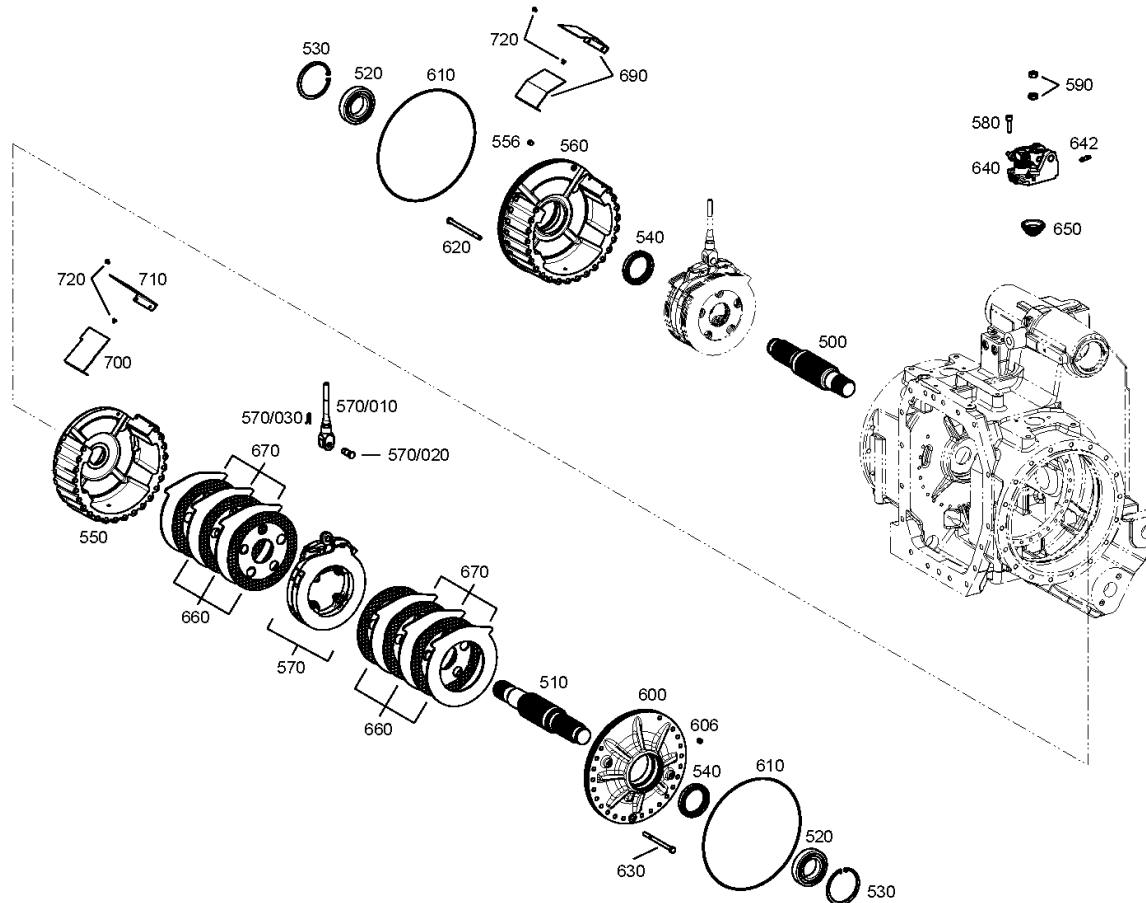
Material number: 2094.027.015

Picture: 209411101402

Material-assembly-group-no: 2094.111.014



T 7336 L /
OUTPUT



Picture

Page 1 from 1

Material number: 2094.027.015

Picture: 209414000600

Material-assembly-group-no: 2094.140.006



T 7336 L /
POWER LIFT

