



Spare Parts Catalog

T 7334

Material number: 2094.011.008

Current date: 14.12.2021

ZF Friedrichshafen AG
Hauptverwaltung
80038 Friedrichshafen
Deutschland

Telefon: +49 7541 77-0

Telefax: +49 7541 77-908000

www.zf.com

zuständiges Werk:
Passau

Notes relating to the spare parts catalog

Setup of the spare parts catalog

- Cover sheet
- Technical Cover (only in SDM print)
- Overview of figures
- Figure
- Associated parts list
- Next figure
- Associated parts list
- ...

Figure and parts list



Overview of figures

Bildtafel Figure	Sachnummer Product number	Benennung (Description)	Technische Info Technical info	Description (Benennung)	Menge Quantity	Einheit Unit
068.08.17	1316.170.001	AUSLEGER	WL	SHIFT TURRET	1	Stk
068.08.06	1316.170.031	DECKEL	WL*H-H *VM	COVER	1	Stk
068.08.14	1316.170.808	DECKEL	WL*AUSL+GEH*H-H*HF160N	COVER	1	Stk
08	1316.170.441	ANSCHLUSSTEILE	WL*NG-VORB*RG-SCHL*168N *BAJONETT	CONNECTING PARTS	1	Stk

The "gap" indicates that there is no separate graphics panel (poster) for this assembly
The parts of this assembly are shown with the same mid-section number on the figure

1 Positions and subpositions

Pos.	Sachnummer Product number	Benennung (Description)	Technische Info Technical info	Description (Benennung)	Menge Quantity	Einheit Unit
0370	1315.201.054	RUECKLAUFBOLZEN	KPL.16S151*SG*L= 79	REV.IDLER SHAFT	1	Stk
/0120	0631.329.293	SPANNSTIFT		SLOT. PIN	1	Stk

Positions marked with "/" are the individual items of a completion
For example: Position 0370 contains a centering pin with the position /0120

2 Combinations with standardized parts

Pos.	Sachnummer Product number	Benennung (Description)	Technische Info Technical info	Description (Benennung)	Menge Quantity	Einheit Unit
0630		VERSCHL.SCHR.		SCREW PLUG	1	Stk
	0636.302.067	VERSCHL.SCHR.		SCREW PLUG	1	Stk
	0634.801.249	DICHTRING	A 26 X 31	SEALING RING	1	Stk

The parts list shows the components included in the combination of standardized parts

3 Depiction of position/item number on the figure and in the parts list

01.620 - on the figure 01 relates to the assembly in which the position is included. Due to program-related reasons, it is shown on the figure.

0620 - in the parts list

Pos.	Sachnummer Product number	Benennung (Description)	Technische Info Technical info	Description (Benennung)	Menge Quantity	Einheit Unit
0620	0732.040.736	DRUCKFEDER		COMPRESSION SPRING	1	Stk

4 *-Positions

Positions marked with an * are optional i.e. inclusion in the parts list is not mandatory.
The following note is shown on the figure

je nach Stücklistenausführung
depending on spec. number
*
suivant la nomenclature
secondo la distinta base

5 Parts, dotted display

Parts with dotted display on the figure are only used for orientation of other parts

Assembly group overview

Page 1 from 1

Material number: 2094.011.008



T 7334 /

Picture	Pos.	Material number	Name	Quantity	Amend. no.	Techn. Info.
209402100300	10	2094.021.003	T 7334	1		
209408000100	20	2094.080.001	TRA 25	1		

Picture

Page 1 from 1

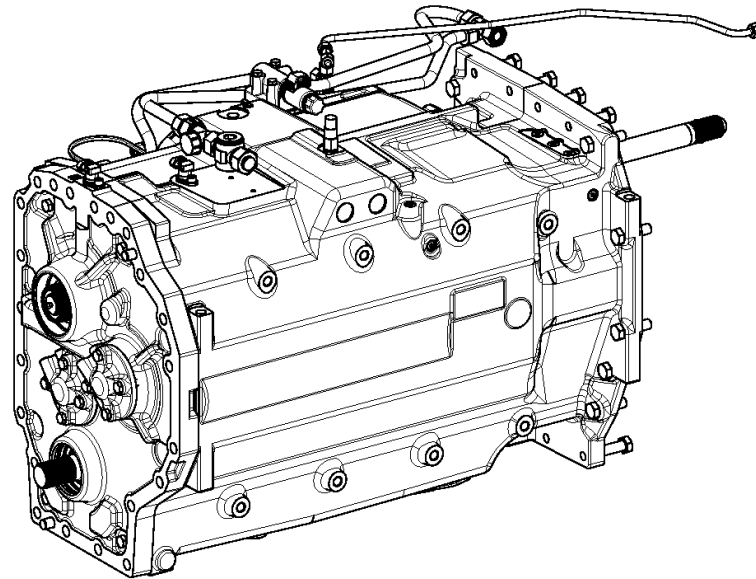
Material number: 2094.011.008

Picture: 209402100300

Material-assembly-group-no: 2094.021.003



T 7334 /
T 7334



Picture

Page 1 from 1

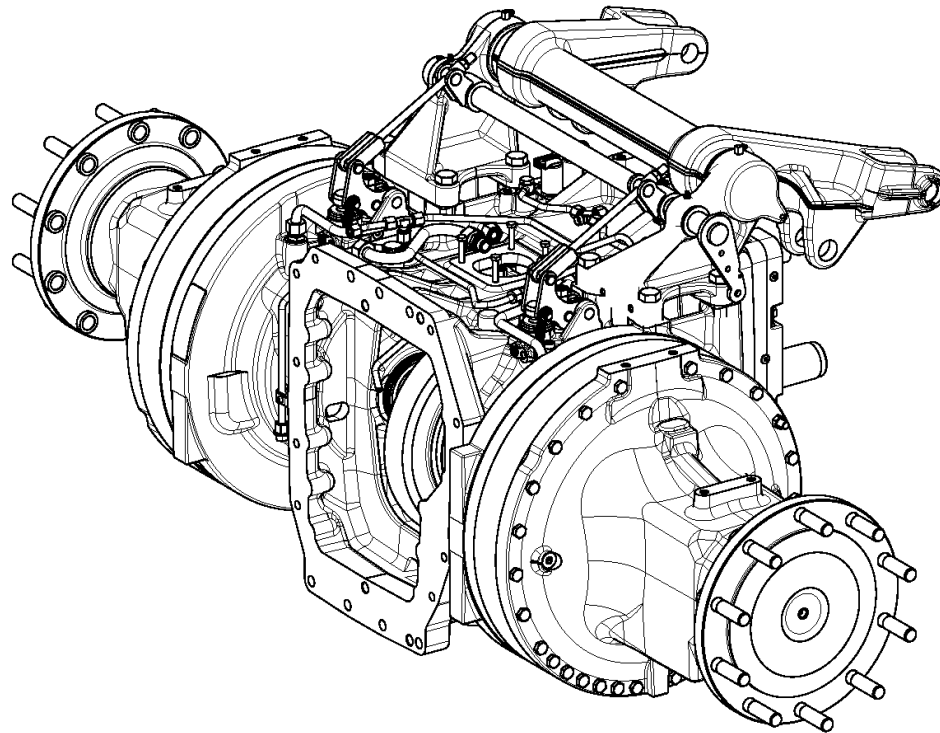
Material number: 2094.011.008

Picture: 209408000100

Material-assembly-group-no: 2094.080.001



T 7334 /
TRA 25



Picture

Page 1 from 2

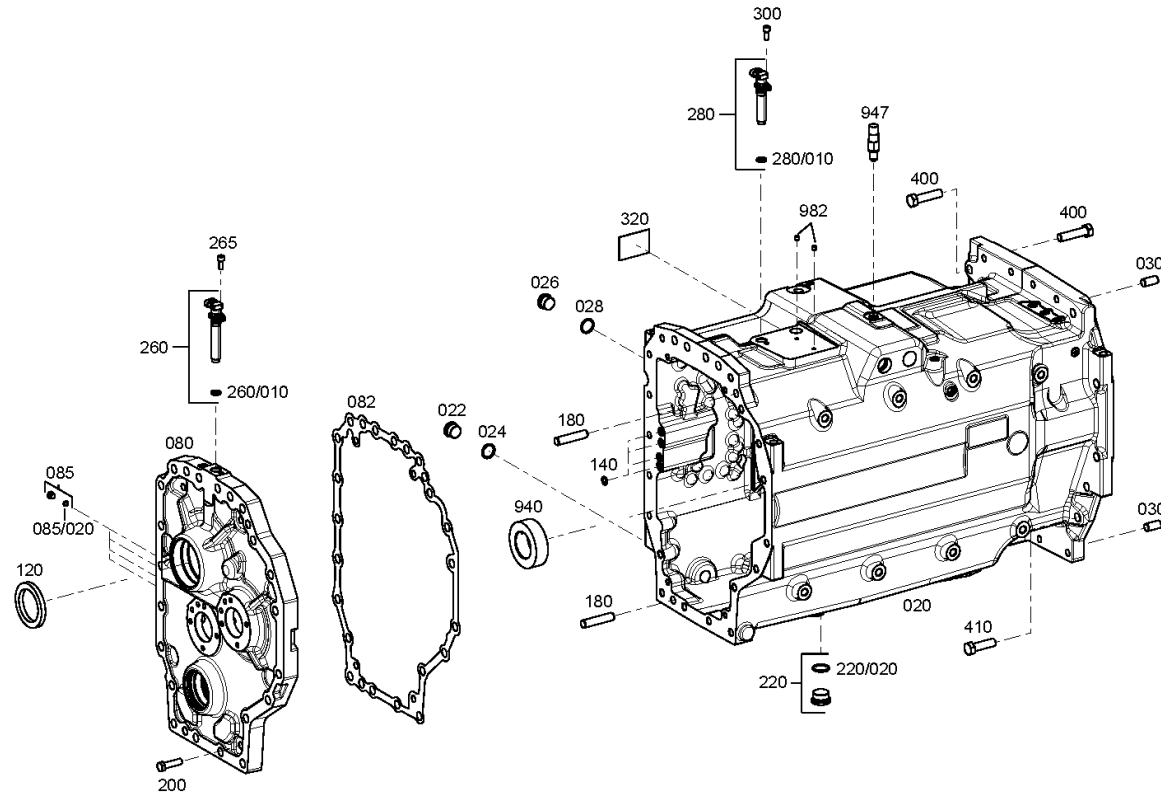
Material number: 2094.021.003

Picture: 209410102700

Material-assembly-group-no: 2094.101.027



T 7334 /
TRANSMISSION HOUSING



Picture

Page 2 from 2

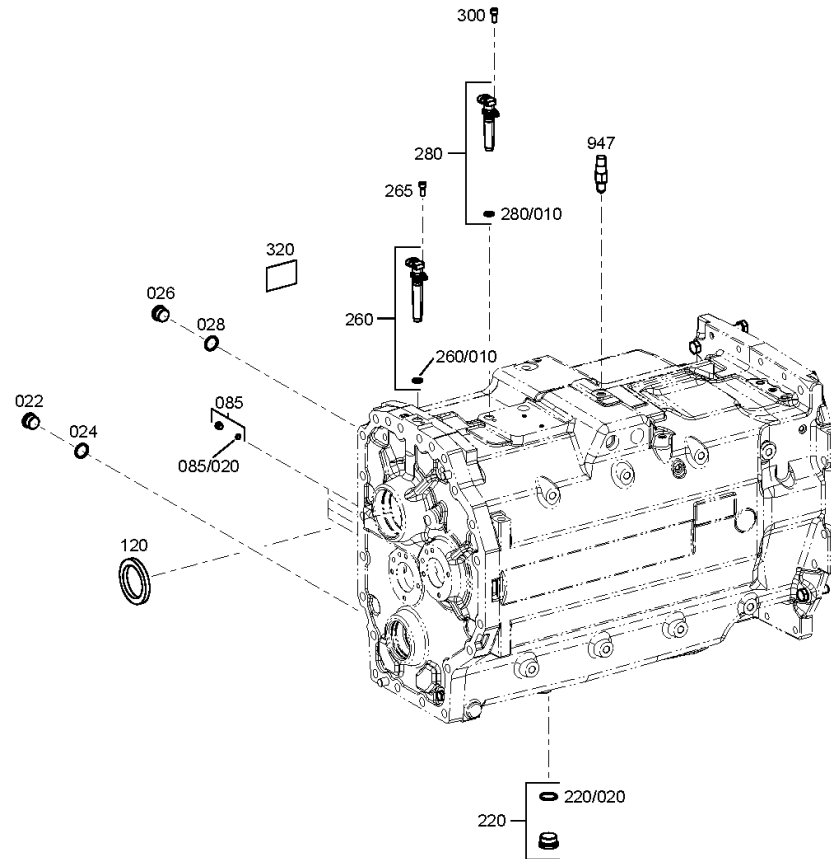
Material number: 2094.021.003

Picture: 209410102780

Material-assembly-group-no: 2094.101.027



T 7334 /
TRANSMISSION HOUSING



Picture

Page 1 from 2

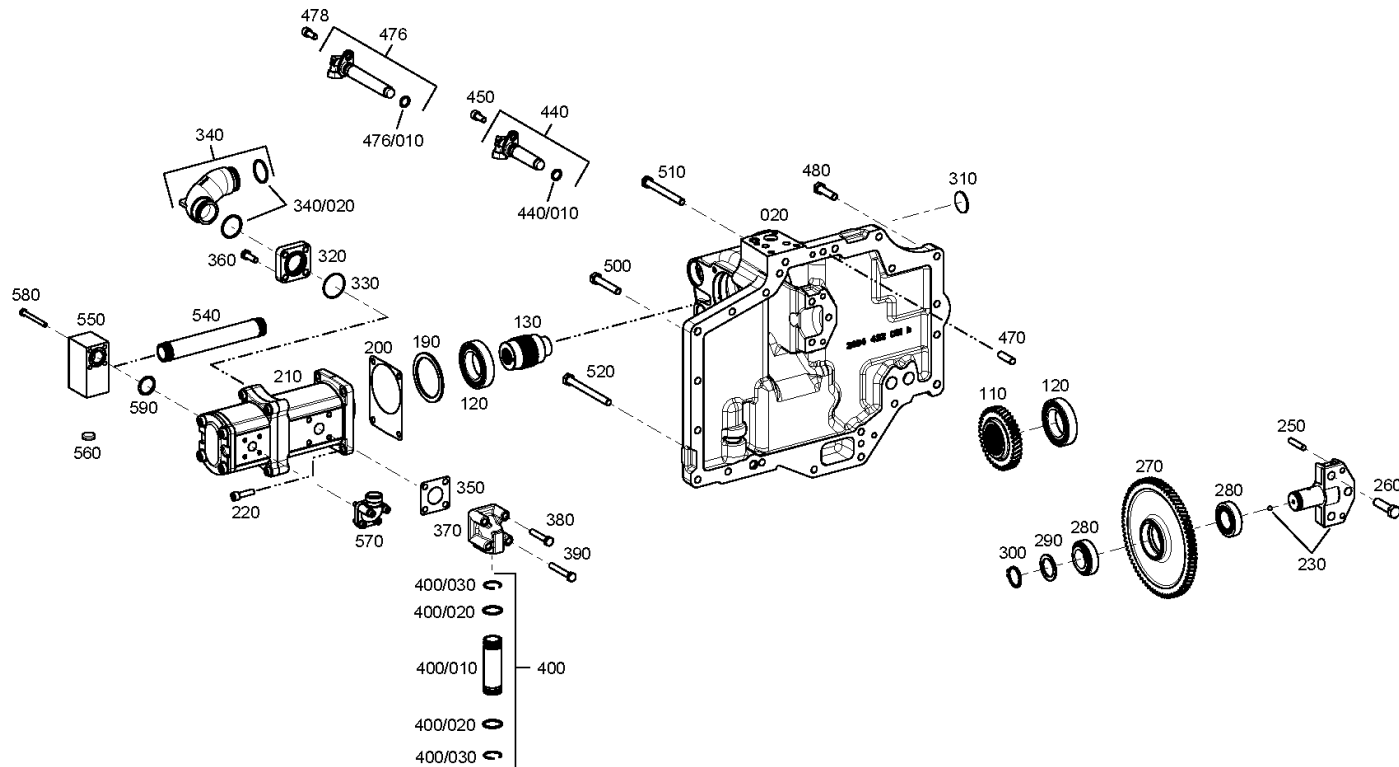
Material number: 2094.021.003

Picture: 209412201700

Material-assembly-group-no: 2094.122.017



T 7334 /
PUMP DRIVE



Picture

Page 2 from 2

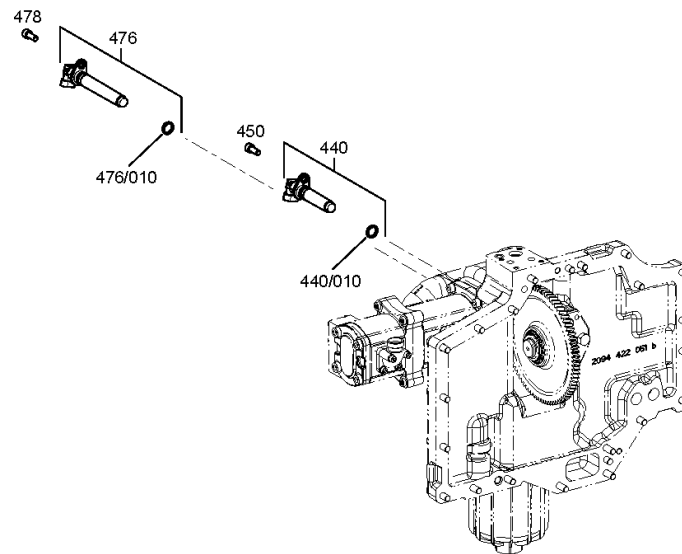
Material number: 2094.021.003

Picture: 209412201780

Material-assembly-group-no: 2094.122.017



T 7334 /
PUMP DRIVE



Picture

Page 1 from 2

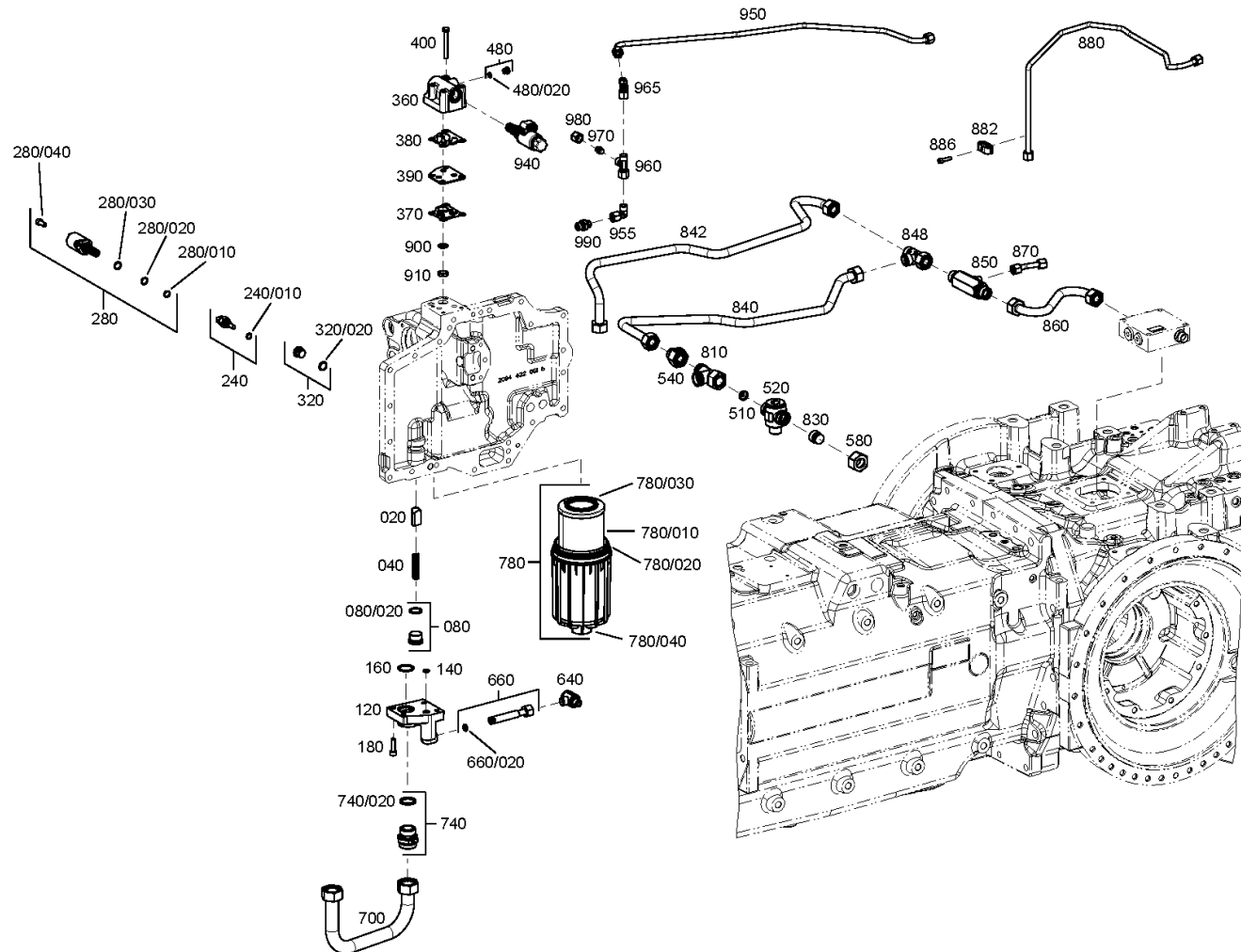
Material number: 2094.021.003

Picture: 209414704000

Material-assembly-group-no: 2094.147.040



T 7334 /
OIL SUPPLY



Picture

Page 2 from 2

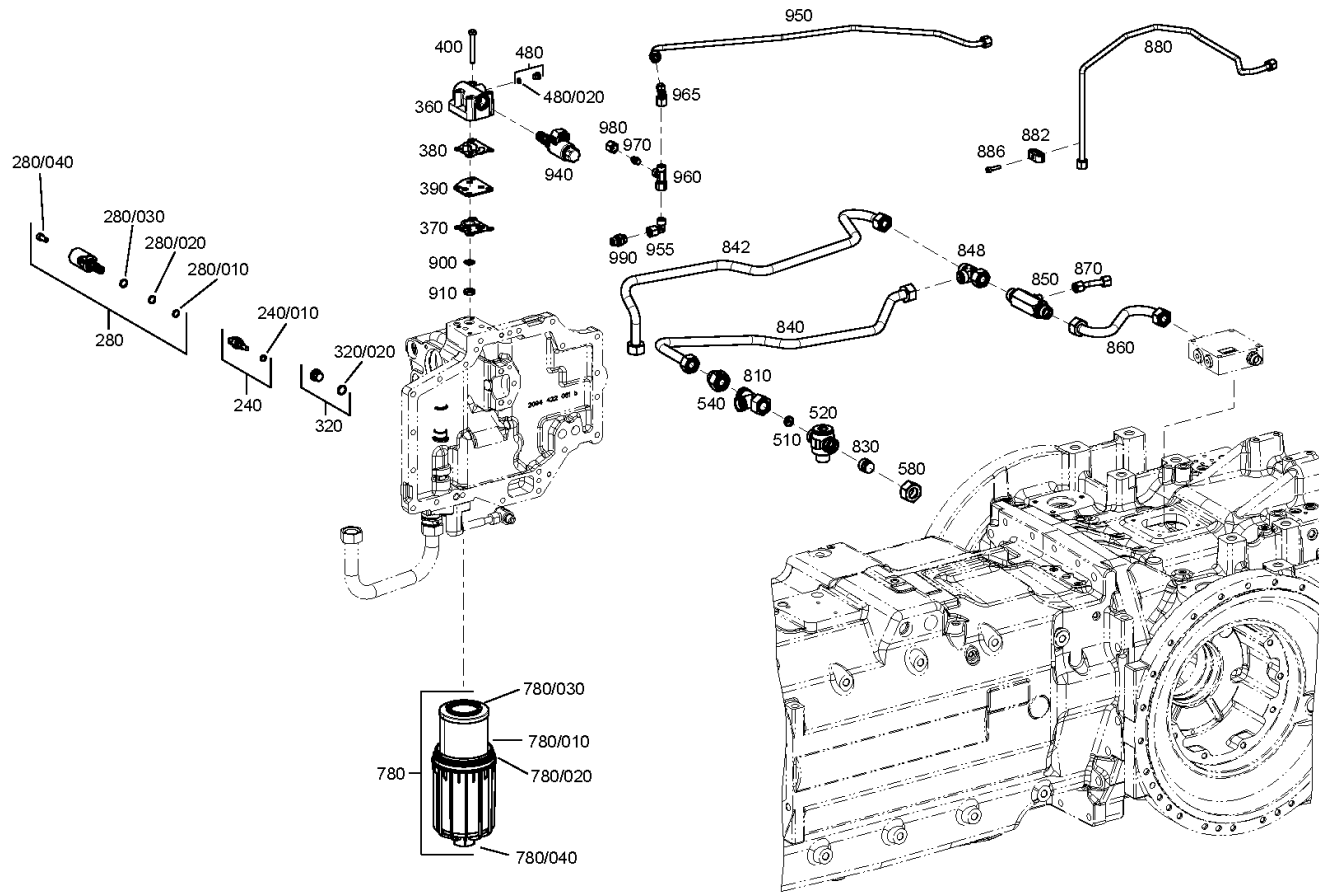
Material number: 2094.021.003

Picture: 209414704080

Material-assembly-group-no: 2094.147.040



T 7334 /
OIL SUPPLY



Picture

Page 1 from 2

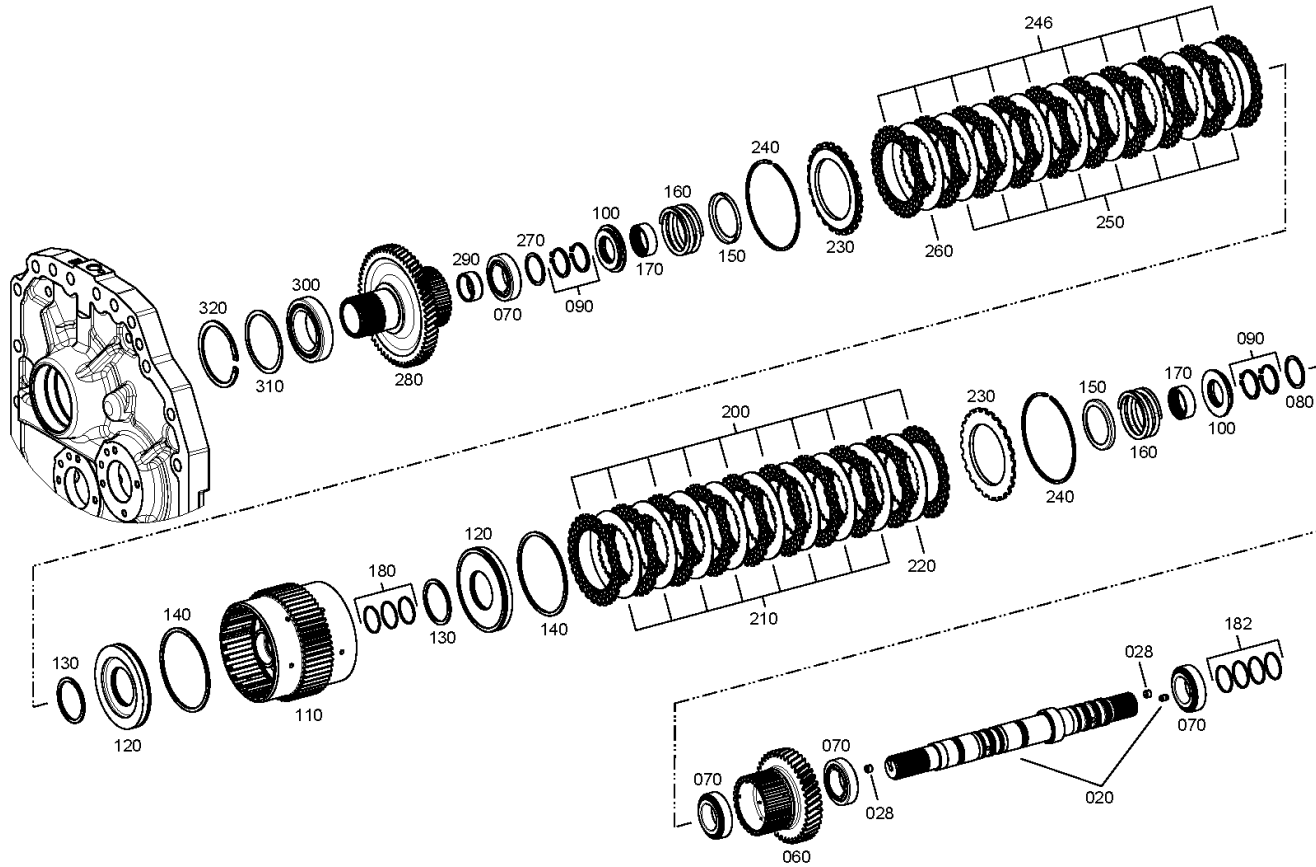
Material number: 2094.021.003

Picture: 209416801901

Material-assembly-group-no: 2094.168.019



T 7334 /
SPLITTER BOX



Picture

Page 2 from 2

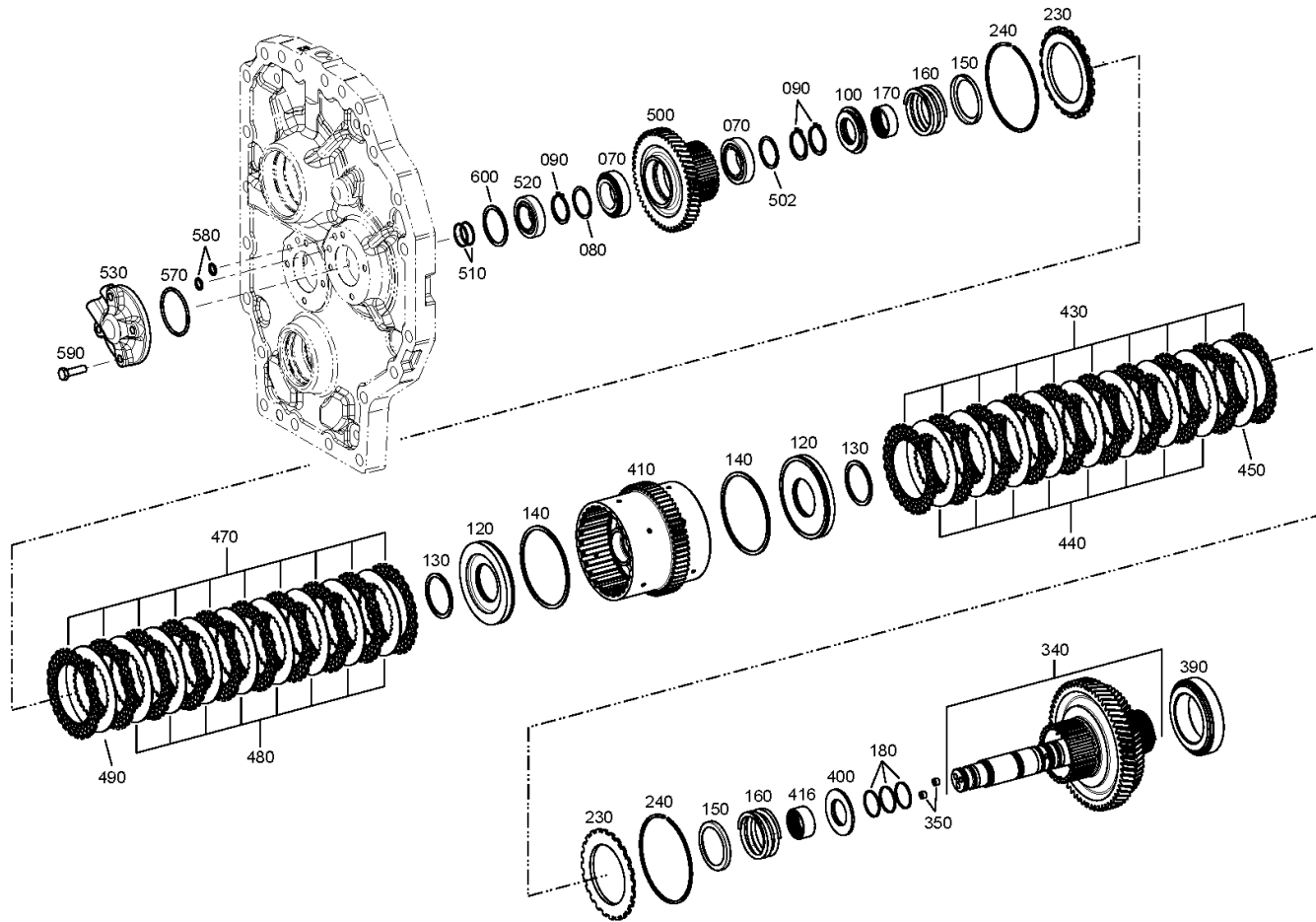
Material number: 2094.021.003

Picture: 209416801902

Material-assembly-group-no: 2094.168.019



T 7334 /
SPLITTER BOX



Picture

Page 1 from 1

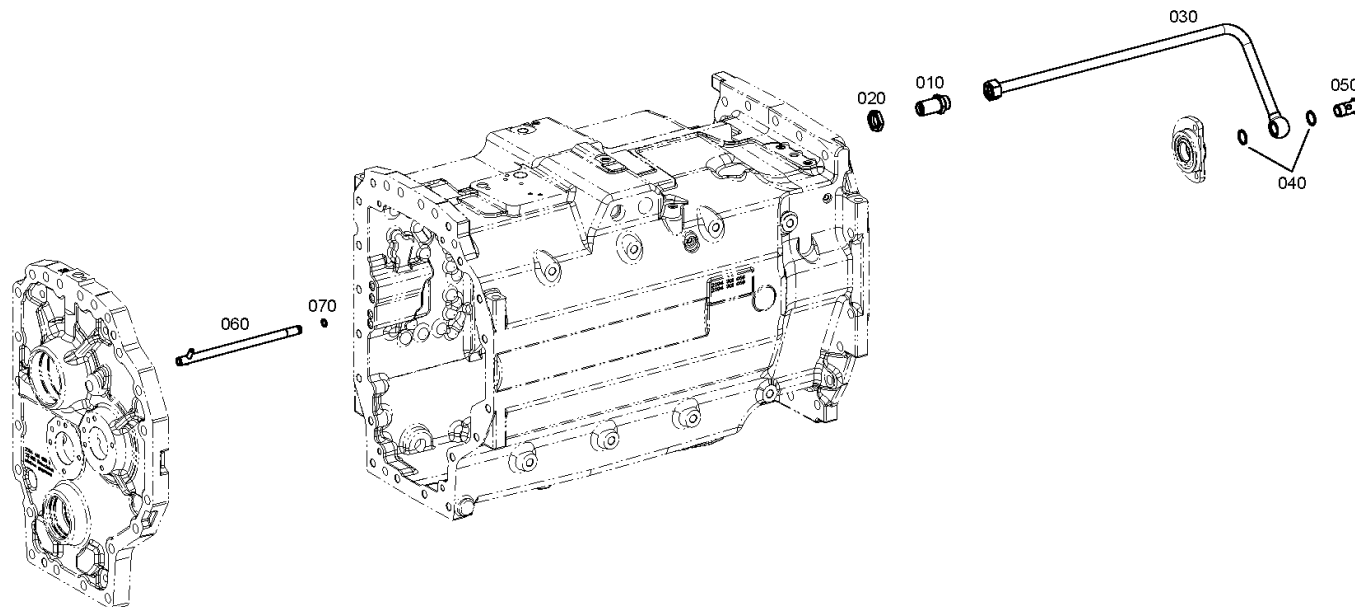
Material number: 2094.021.003

Picture: 209413600100

Material-assembly-group-no: 2094.136.001



T 7334 /
OIL SUPPLY



Picture

Page 1 from 1

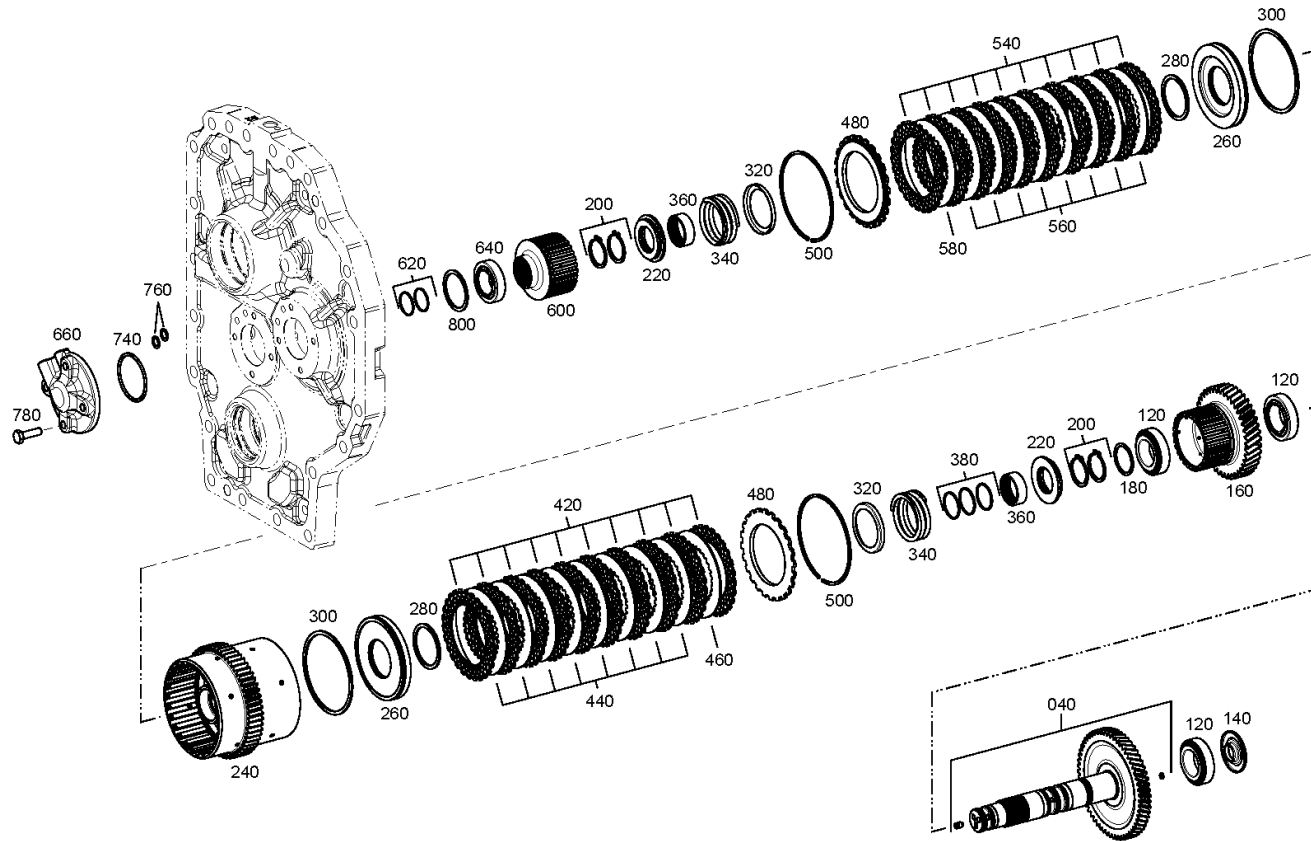
Material number: 2094.021.003

Picture: 209415901400

Material-assembly-group-no: 2094.159.014



T 7334 /
POWER-SHIFT GROUP



Picture

Page 1 from 2

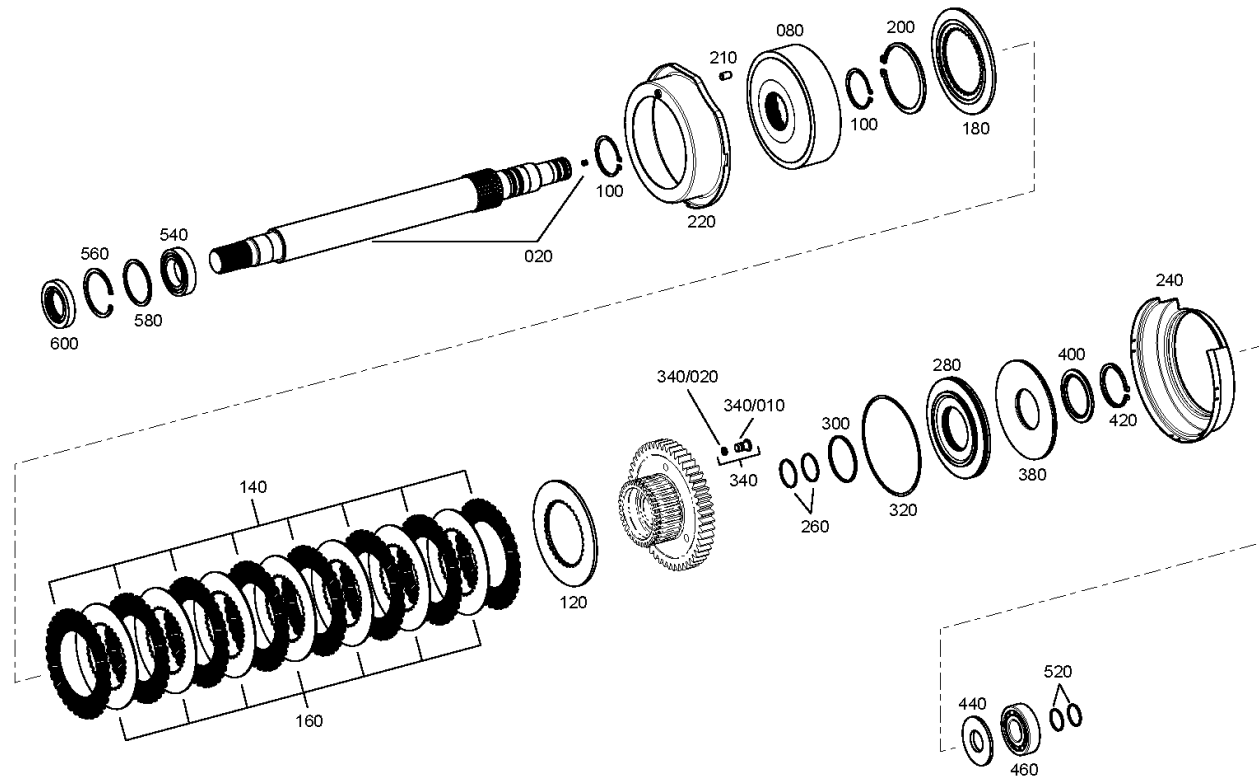
Material number: 2094.021.003

Picture: 209414601000

Material-assembly-group-no: 2094.146.010



T 7334 /
FRONT WH.DRIVE



Picture

Page 2 from 2

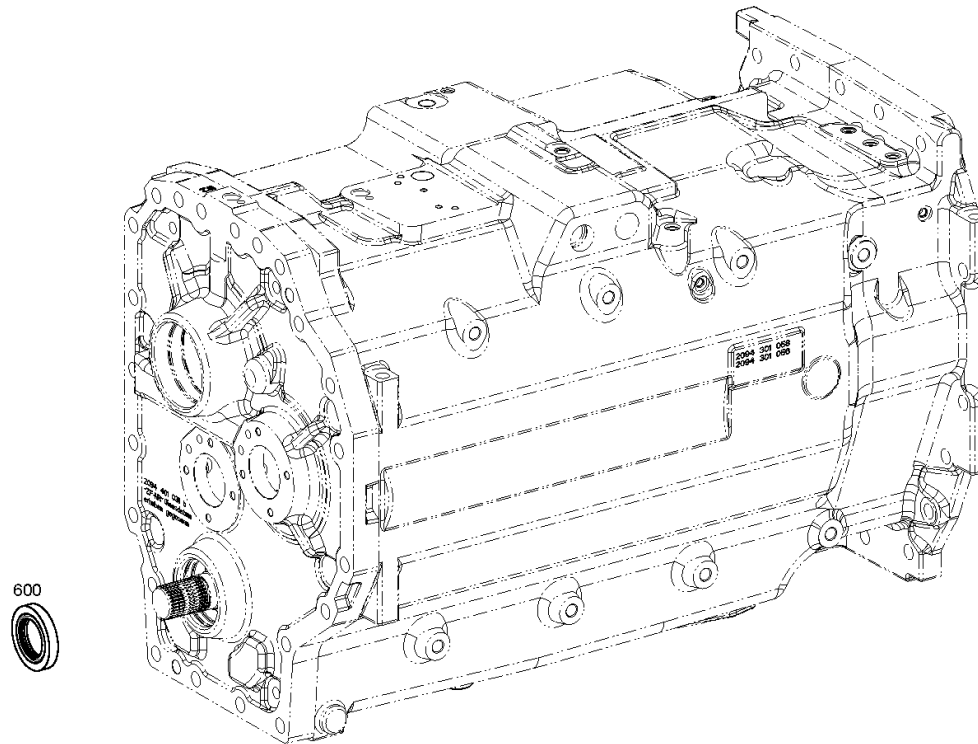
Material number: 2094.021.003

Picture: 209414601080

Material-assembly-group-no: 2094.146.010



T 7334 /
FRONT WH.DRIVE



Picture

Page 1 from 1

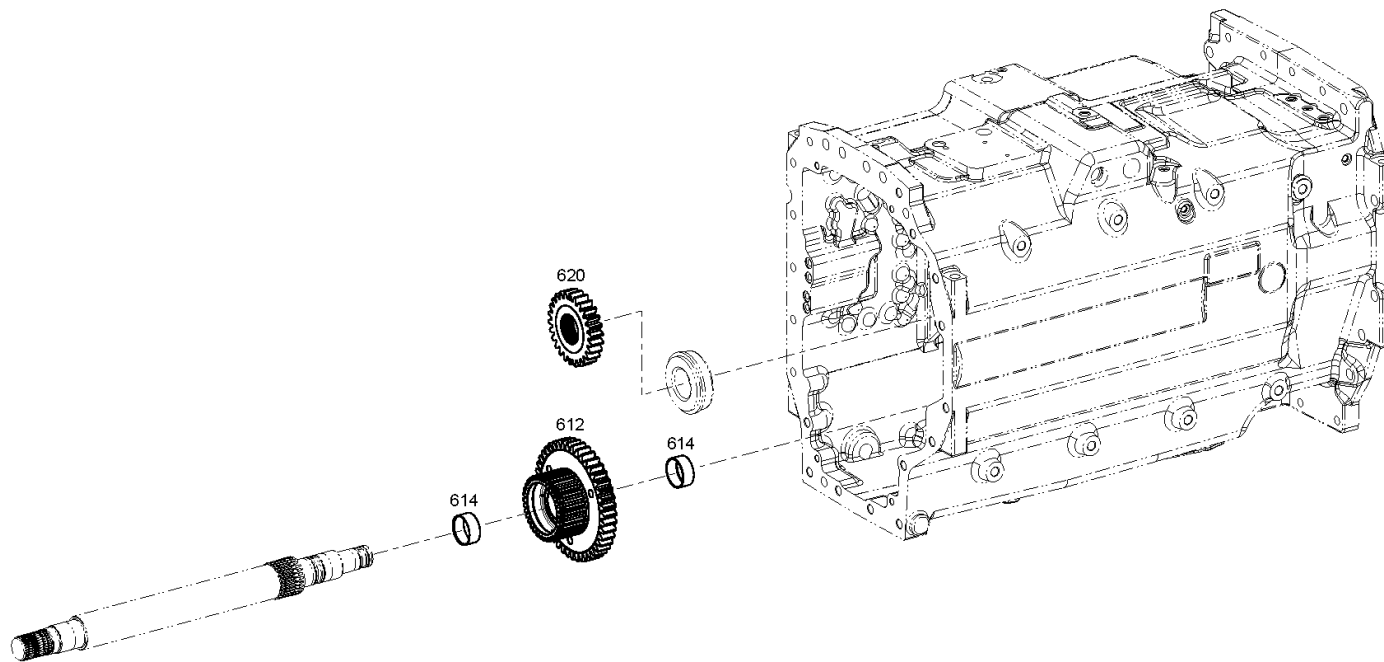
Material number: 2094.021.003

Picture: 209414641800

Material-assembly-group-no: 2094.146.418



T 7334 /
FRONT WH.DRIVE



Picture

Page 1 from 1

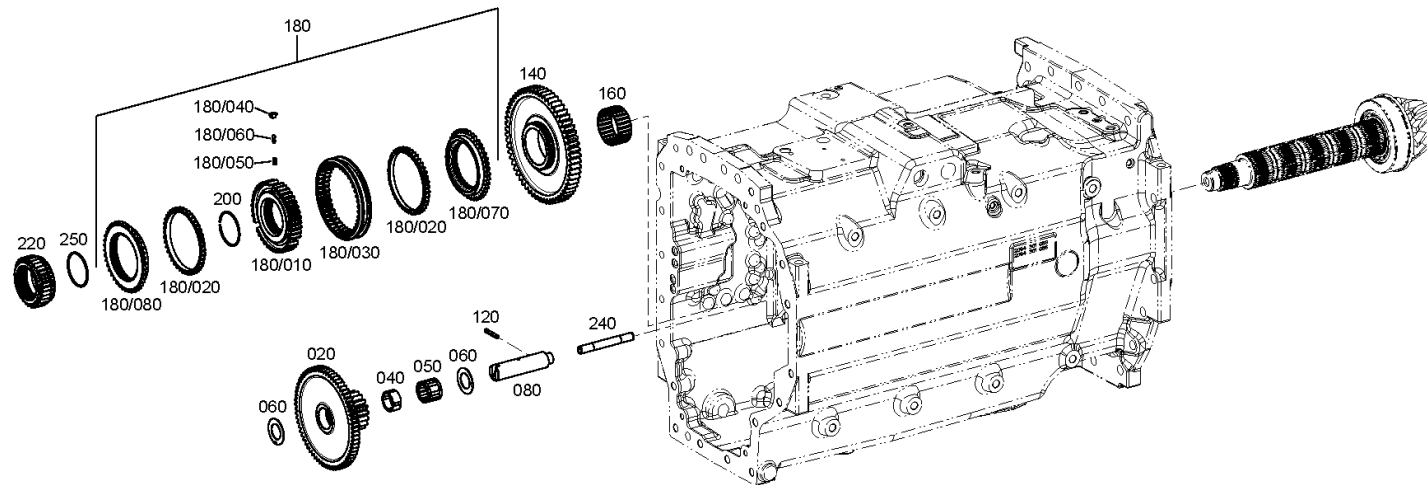
Material number: 2094.021.003

Picture: 209411400600

Material-assembly-group-no: 2094.114.006



T 7334 /
CRAWLER



Picture

Page 1 from 1

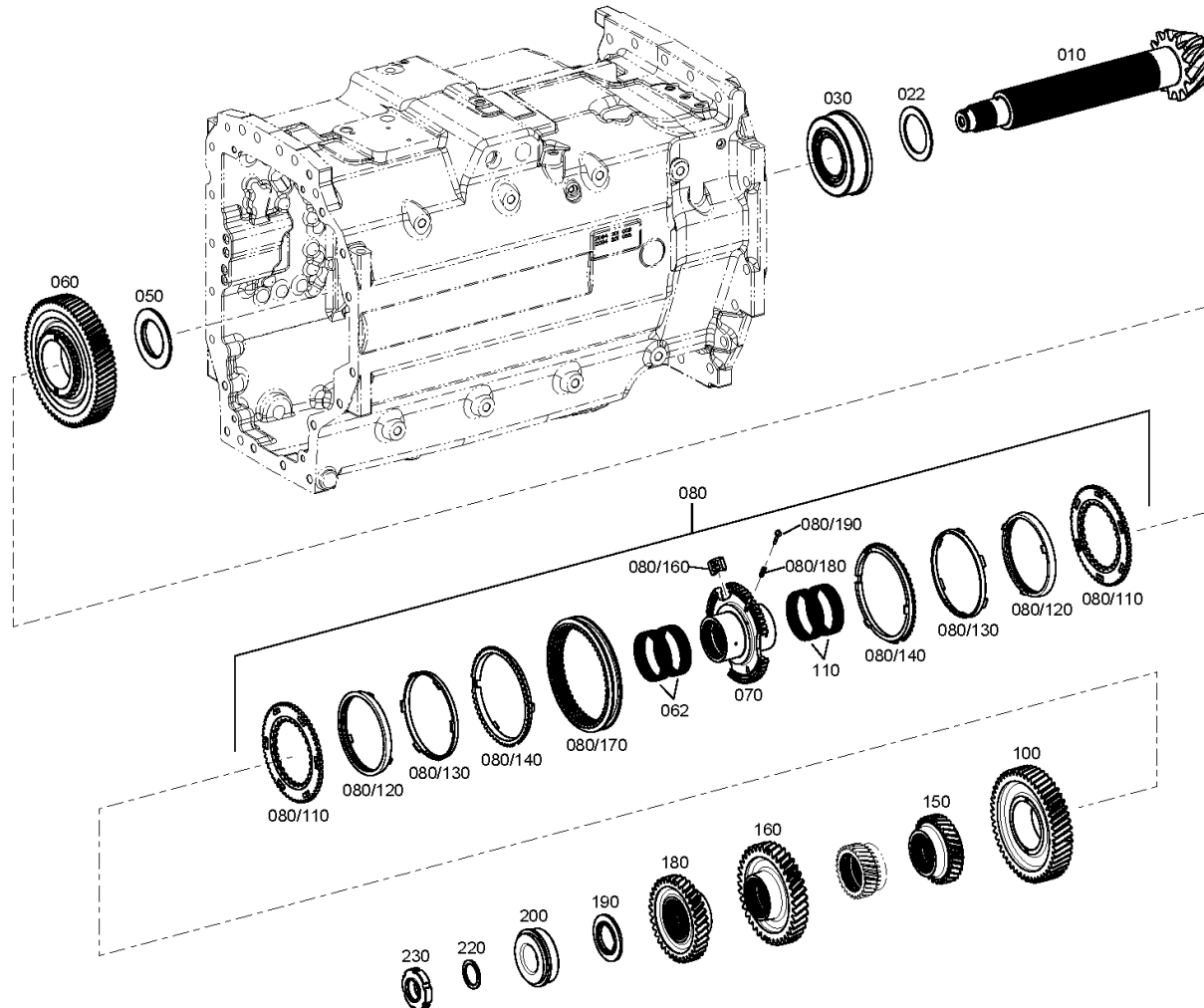
Material number: 2094.021.003

Picture: 209410401600

Material-assembly-group-no: 2094.104.016



T 7334 /
MAIN SHAFT



Picture

Page 1 from 1

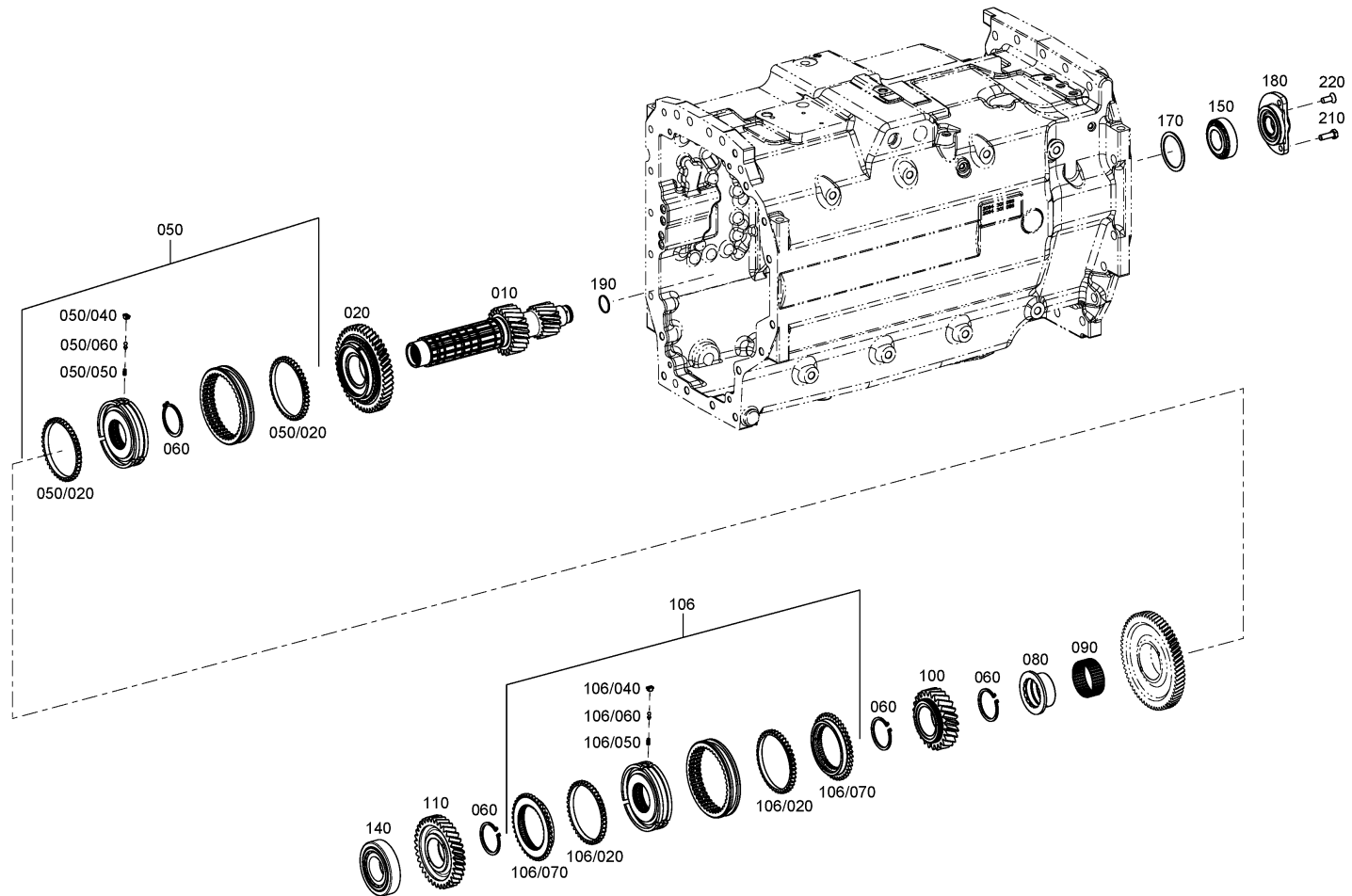
Material number: 2094.021.003

Picture: 209410301100

Material-assembly-group-no: 2094.103.011



T 7334 /
COUNTERSHAFT



Picture

Page 1 from 1

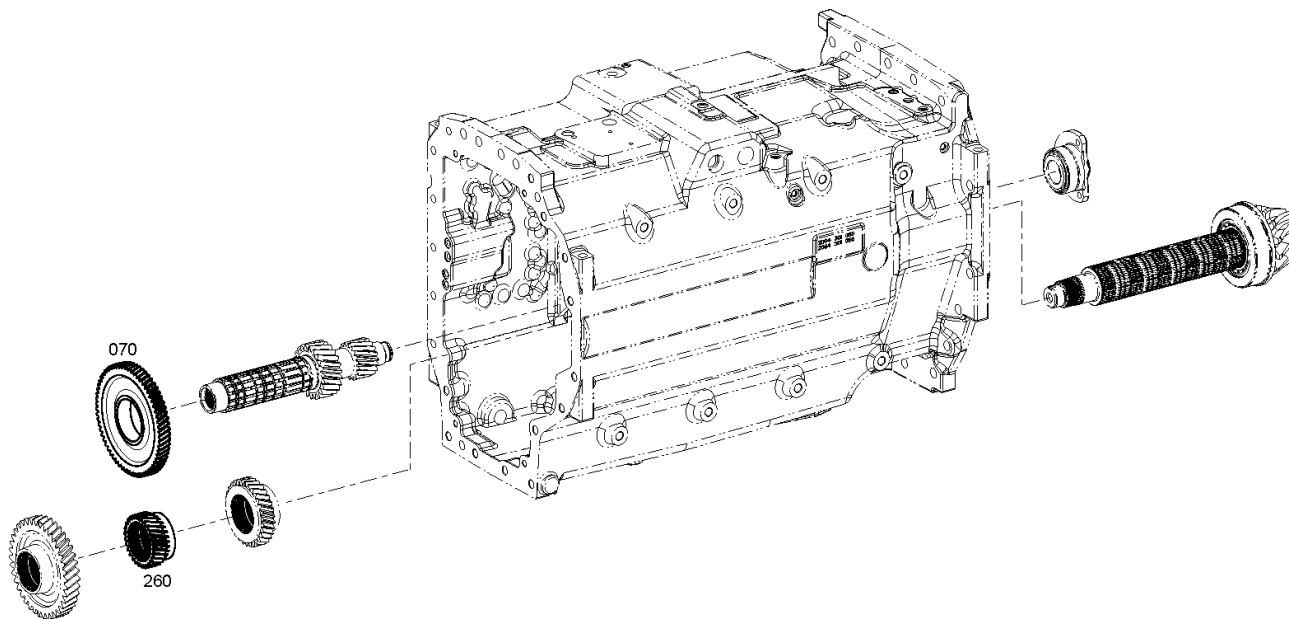
Material number: 2094.021.003

Picture: 209410340700

Material-assembly-group-no: 2094.103.407



T 7334 /
COUNTERSHAFT



Picture

Page 1 from 2

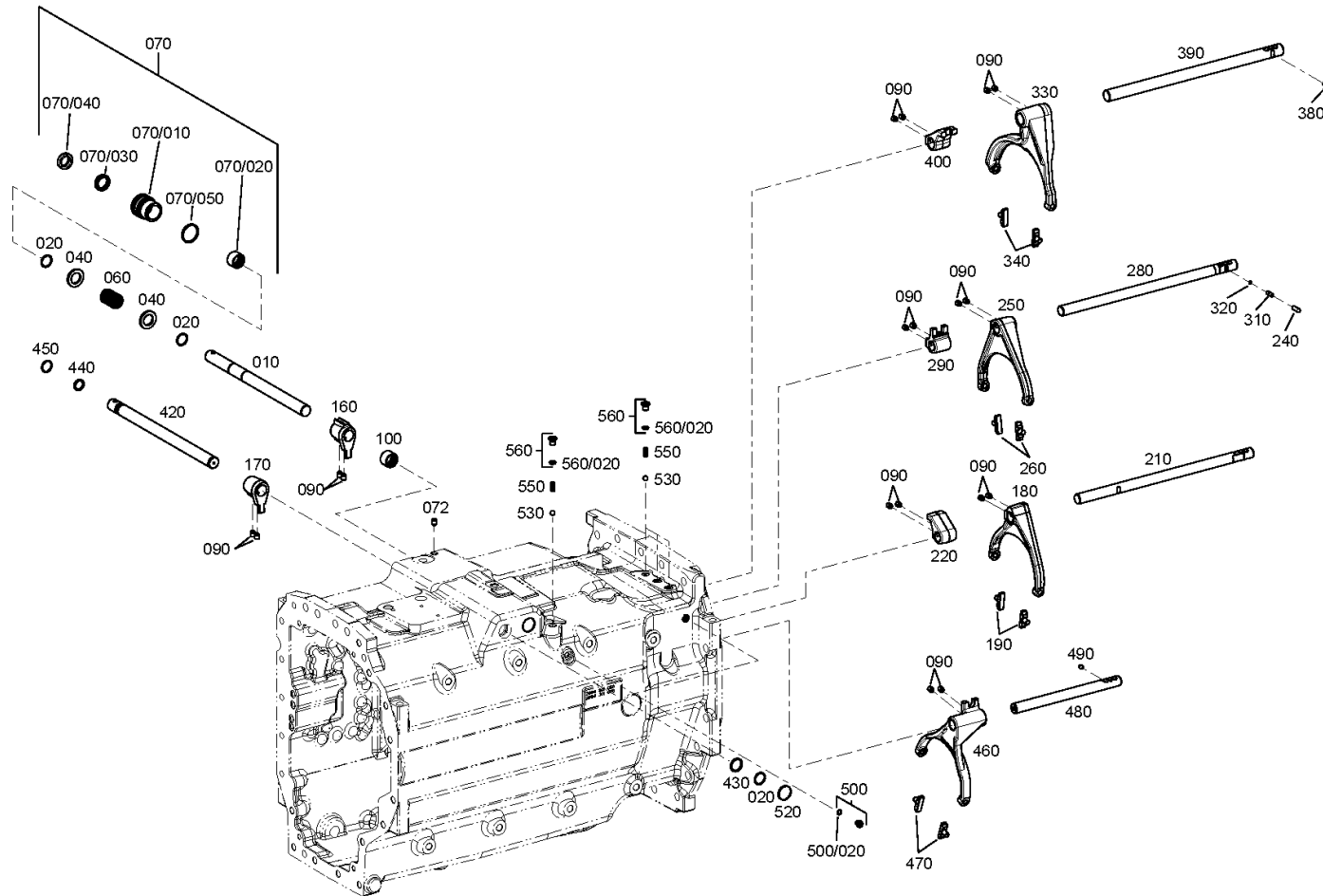
Material number: 2094.021.003

Picture: 209410601300

Material-assembly-group-no: 2094.106.013



T 7334 /
SHIFT SYSTEM



Picture

Page 2 from 2

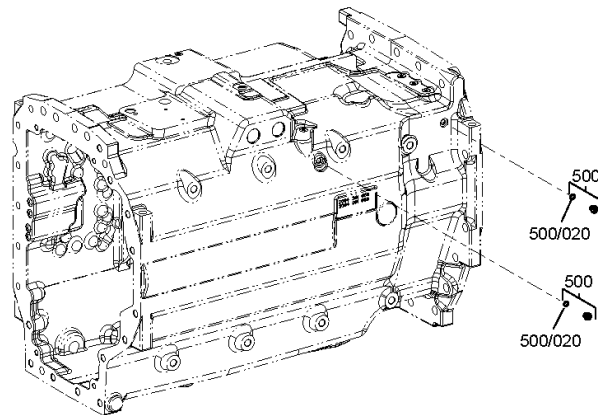
Material number: 2094.021.003

Picture: 209410601380

Material-assembly-group-no: 2094.106.013



T 7334 /
SHIFT SYSTEM



Picture

Page 1 from 2

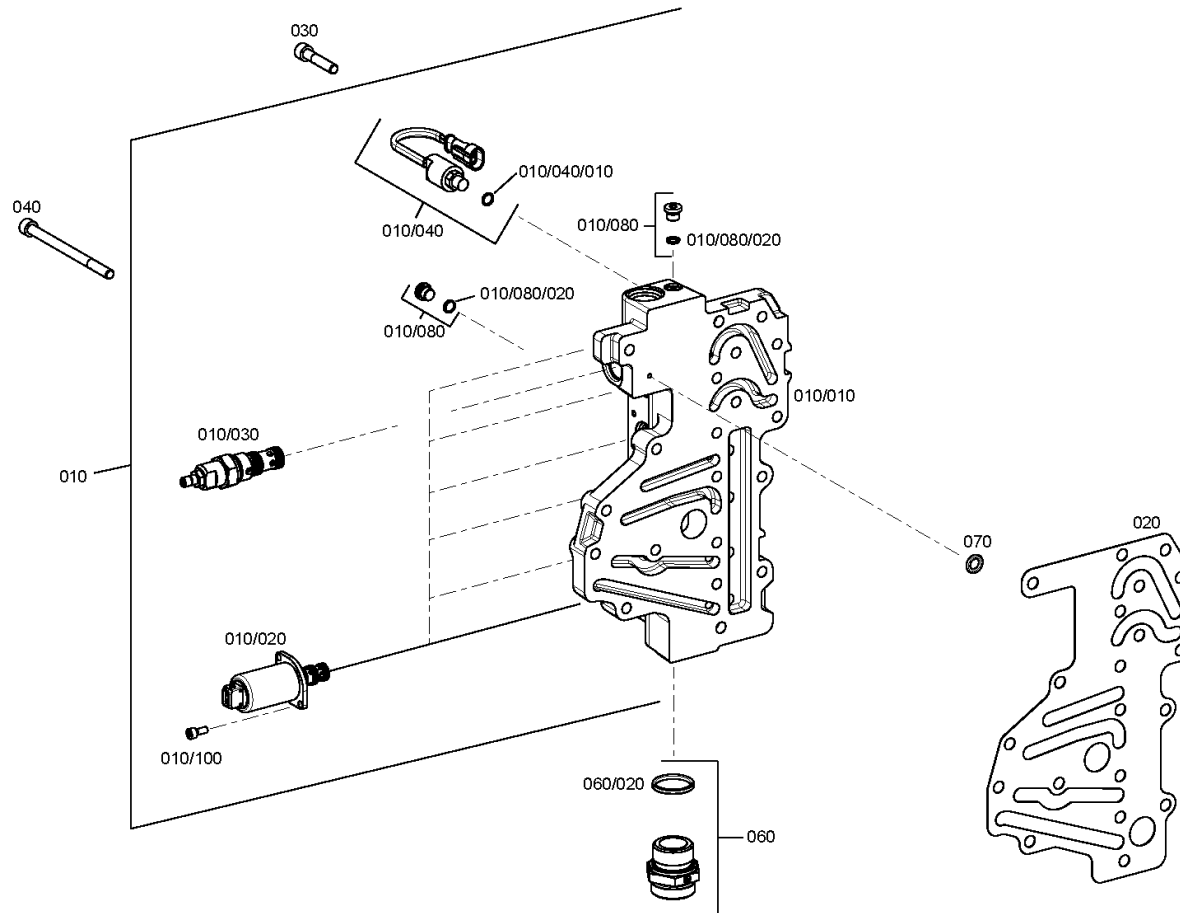
Material number: 2094.021.003

Picture: 209415201200

Material-assembly-group-no: 2094.152.012



T 7334 /
HYDR.CONTROL



Picture

Page 2 from 2

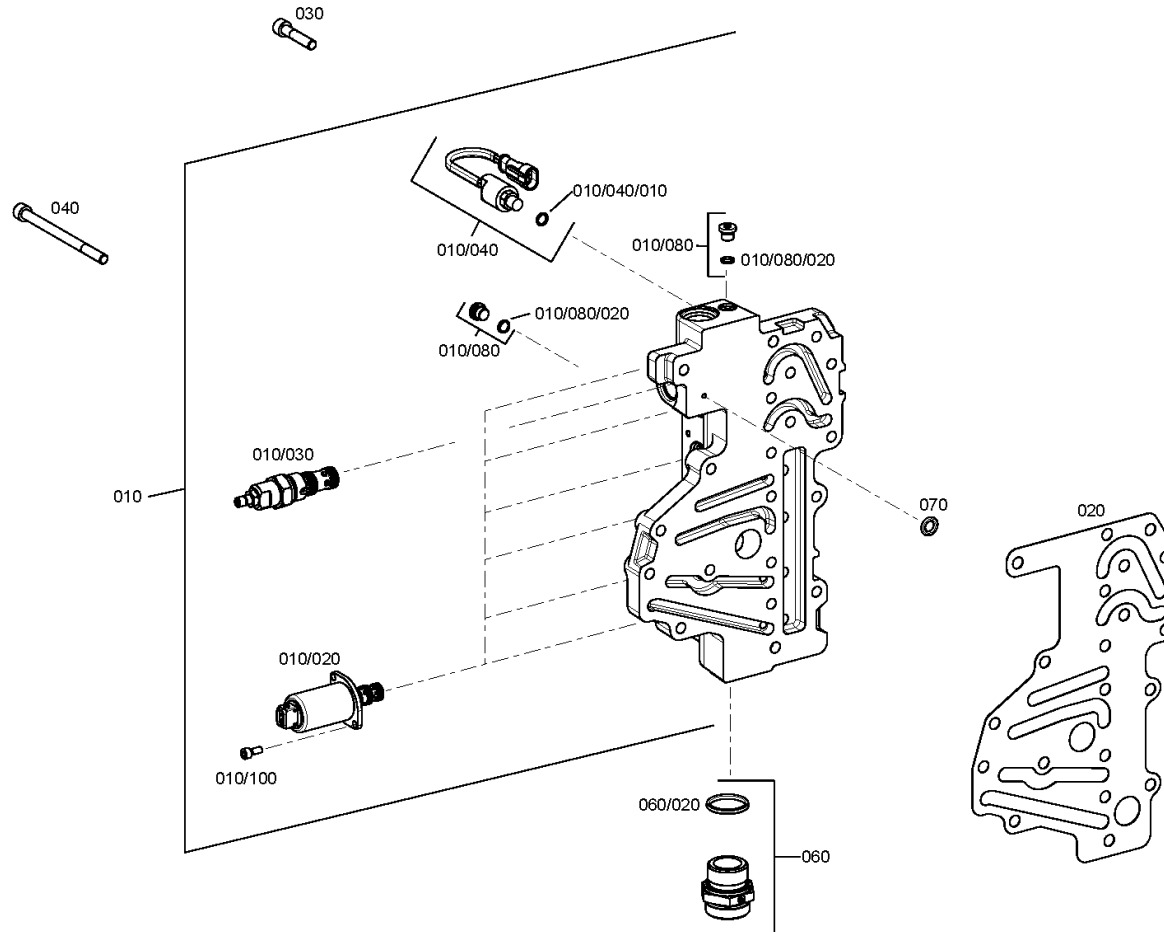
Material number: 2094.021.003

Picture: 209415201280

Material-assembly-group-no: 2094.152.012



T 7334 /
HYDR.CONTROL



Picture

Page 1 from 1

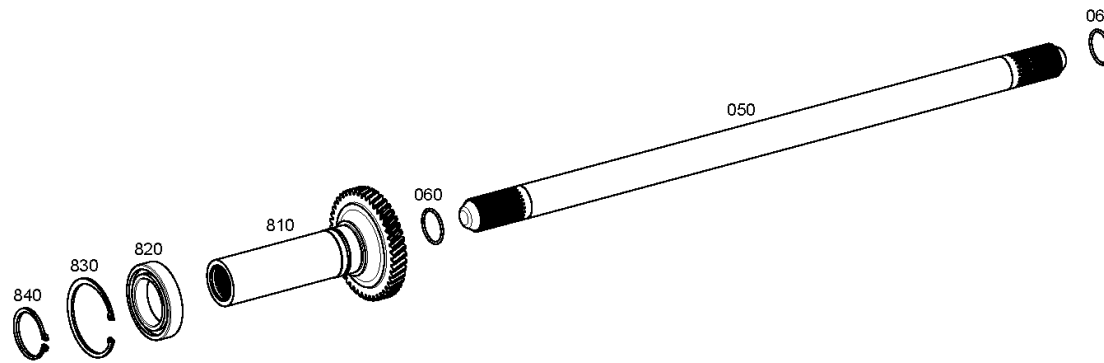
Material number: 2094.021.003

Picture: 209411001900

Material-assembly-group-no: 2094.110.019



T 7334 /
P.T.O. SHAFT



Picture

Page 1 from 1

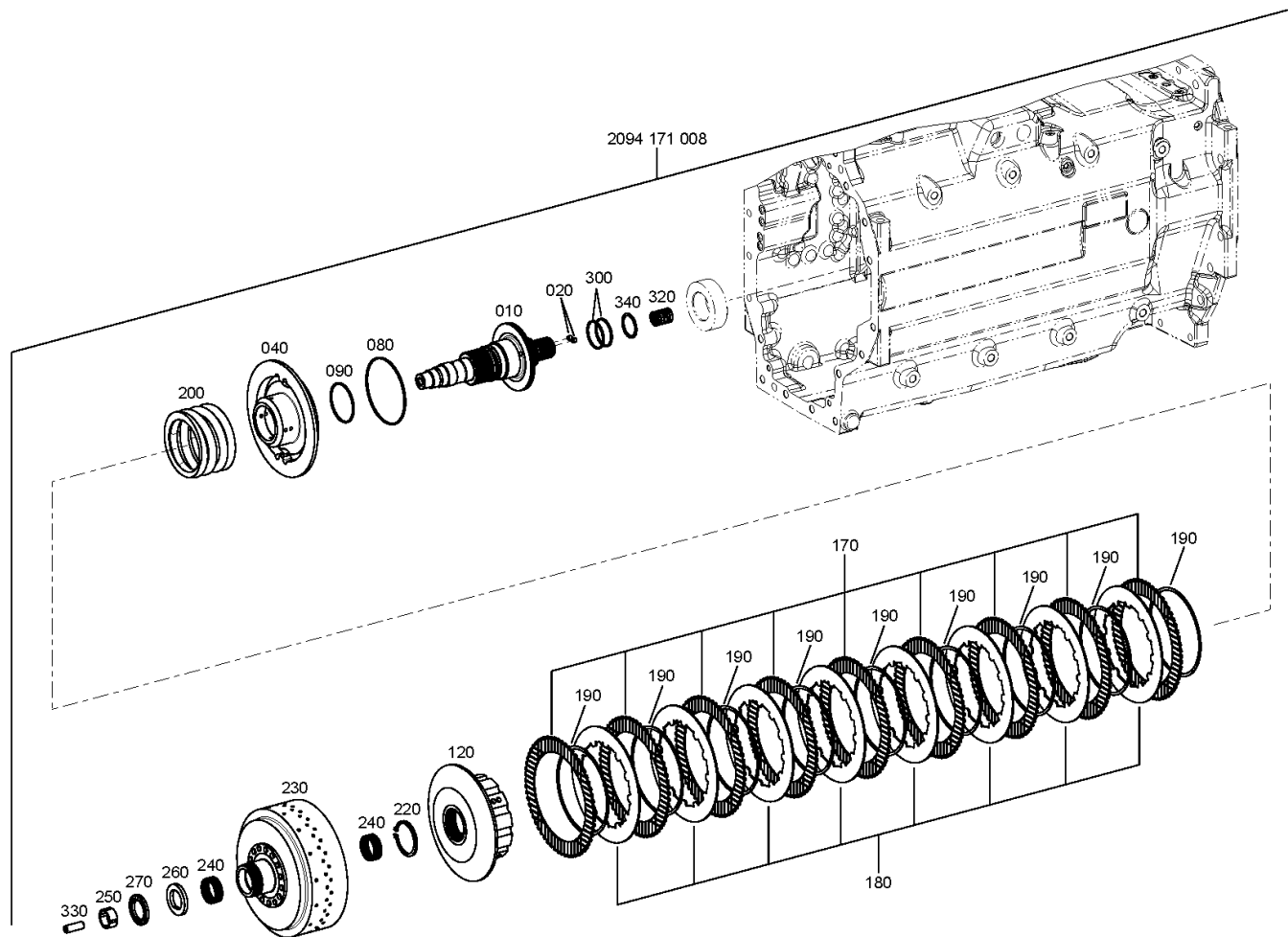
Material number: 2094.021.003

Picture: 209417100800

Material-assembly-group-no: 2094.171.008



T 7334 /
MAIN CLUTCH



Picture

Page 1 from 1

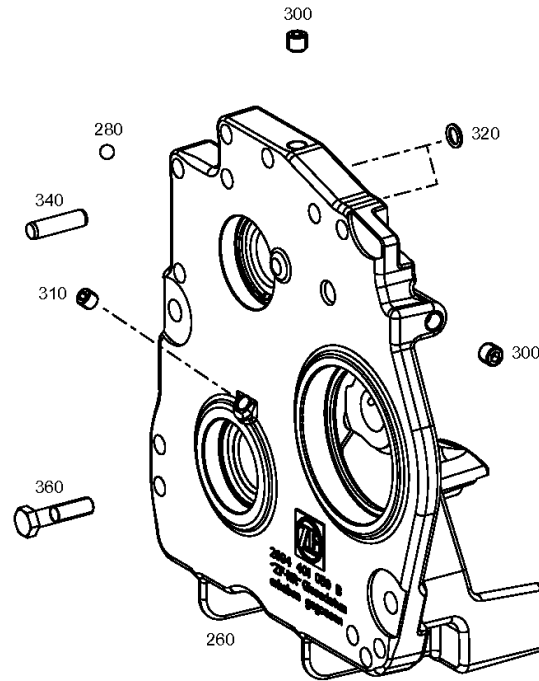
Material number: 2094.021.003

Picture: 209412401200

Material-assembly-group-no: 2094.124.012



T 7334 /
CLOSING COMPONENTS



Picture

Page 1 from 1

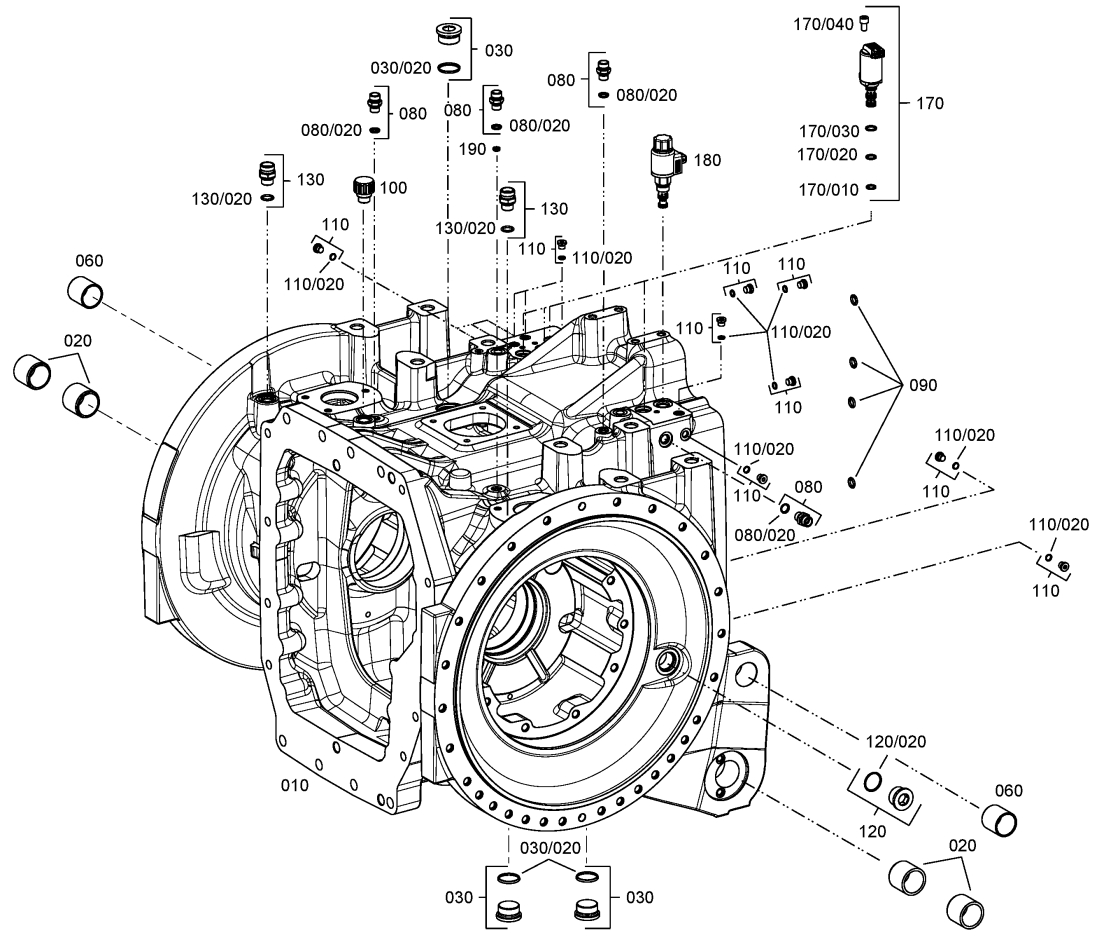
Material number: 2094.080.001

Picture: 209411701600

Material-assembly-group-no: 2094.117.016



T 7334 /
REAR AXLE HOUS.



Picture

Page 1 from 1

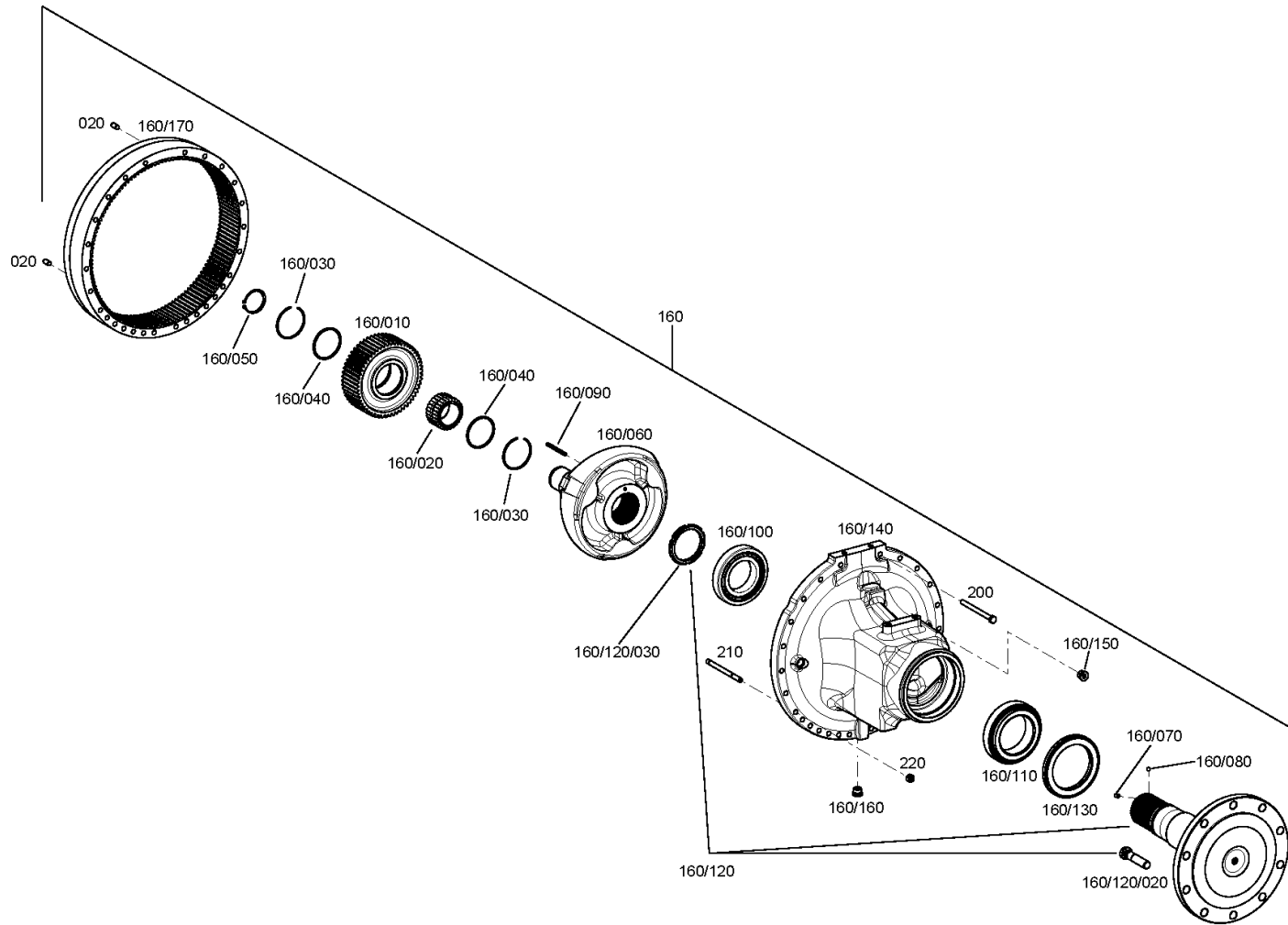
Material number: 2094.080.001

Picture: 209911102700

Material-assembly-group-no: 2099.111.027



T 7334 /
OUTPUT



Picture

Page 1 from 1

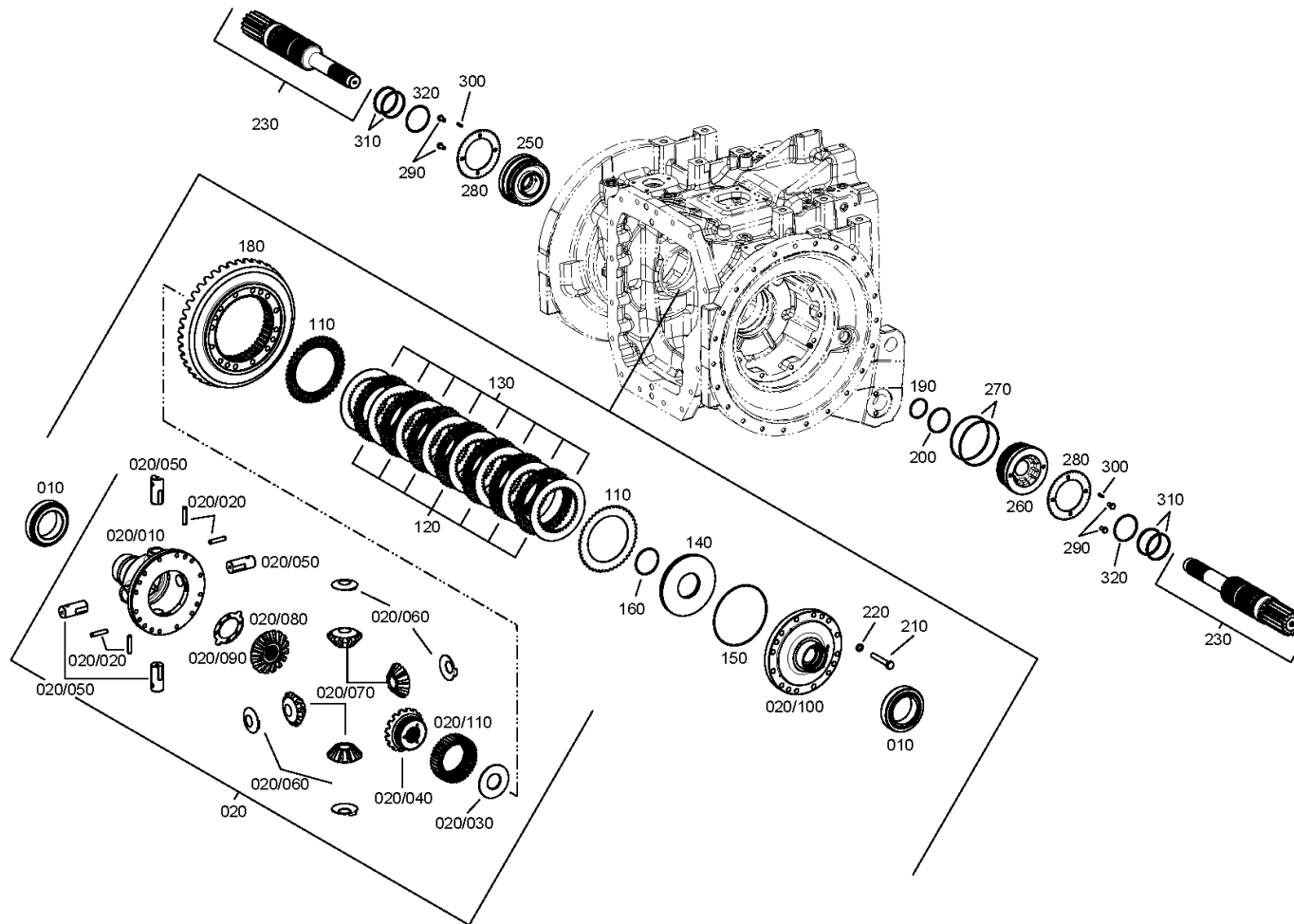
Material number: 2094.080.001

Picture: 209410900700

Material-assembly-group-no: 2094.109.007



T 7334 /
DIFFERENTIAL



Picture

Page 1 from 2

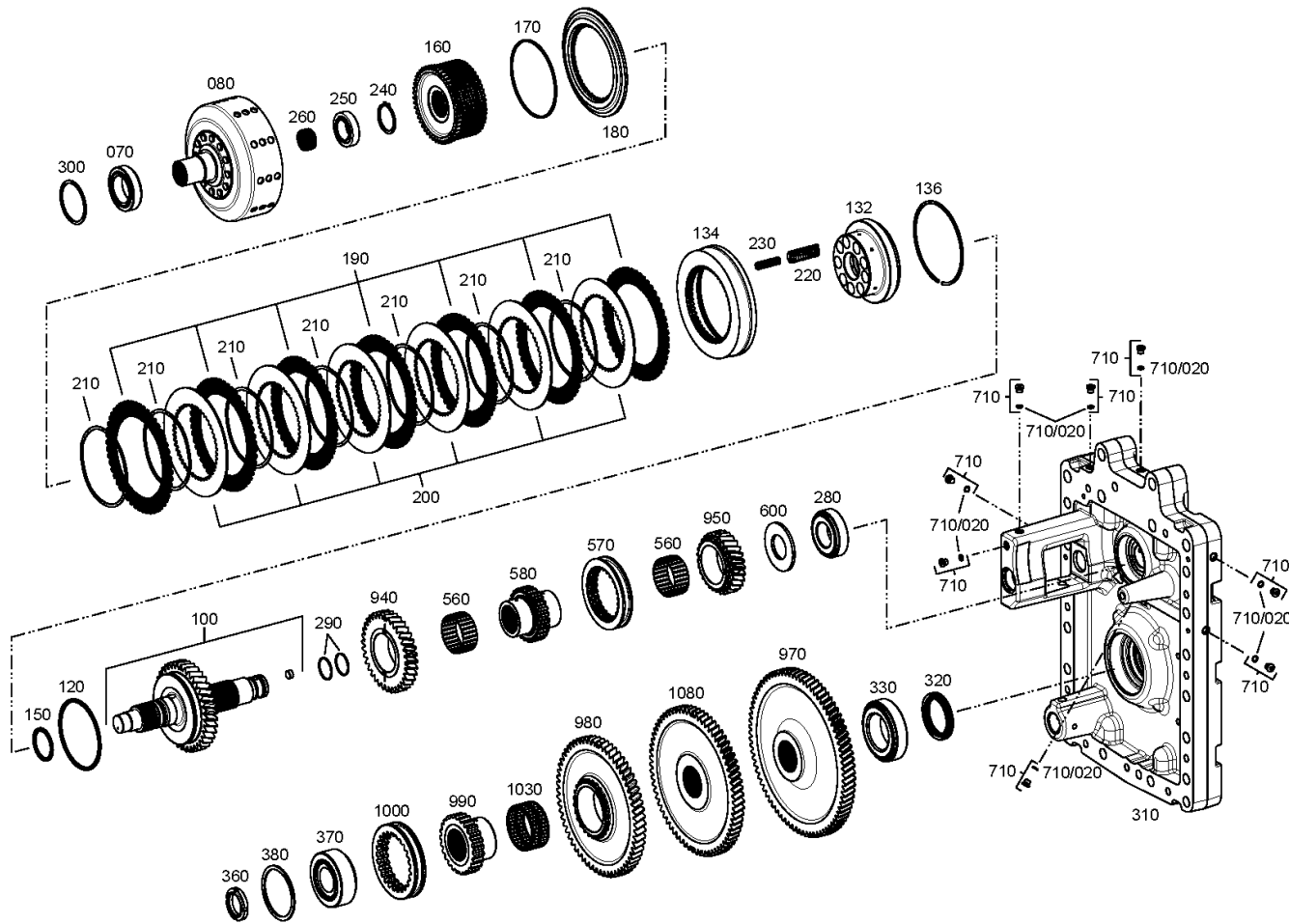
Material number: 2094.080.001

Picture: 209411002301

Material-assembly-group-no: 2094.110.023



T 7334 /
P.T.O. SHAFT



Picture

Page 2 from 2

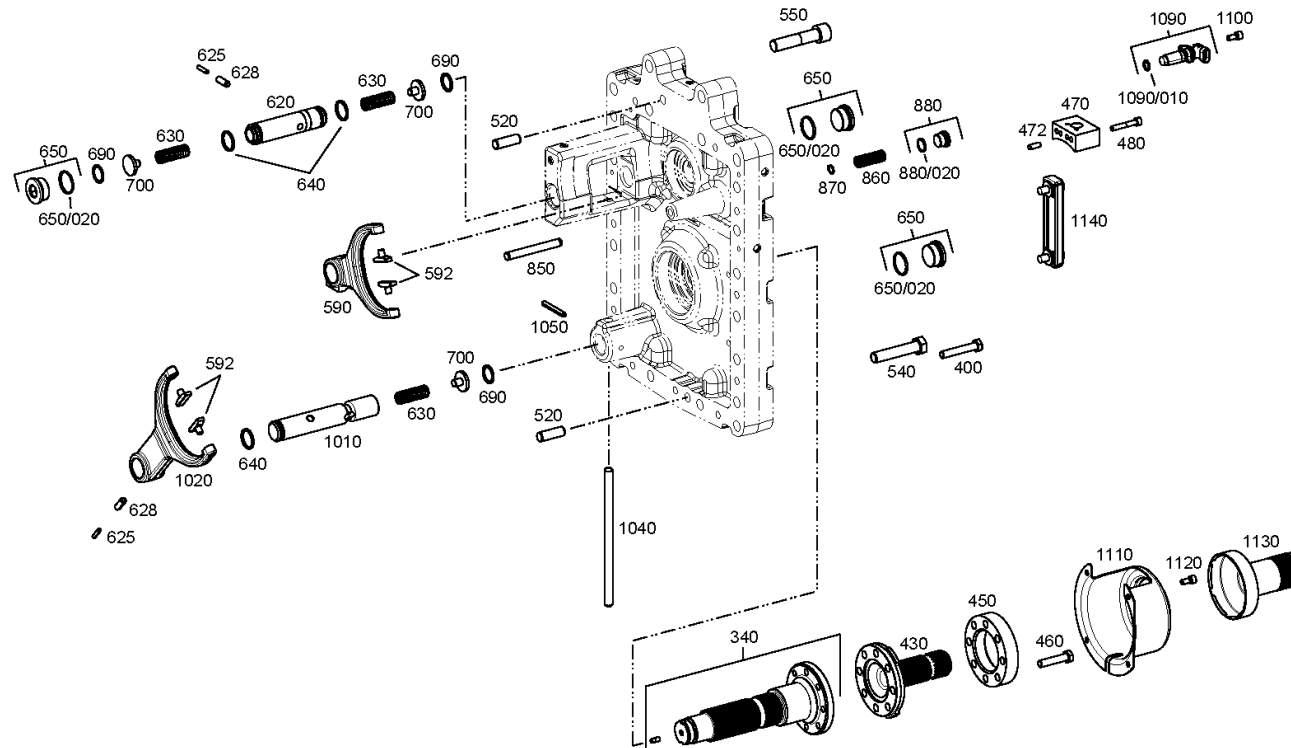
Material number: 2094.080.001

Picture: 209411002302

Material-assembly-group-no: 2094.110.023



T 7334 /
P.T.O. SHAFT



Picture

Page 1 from 1

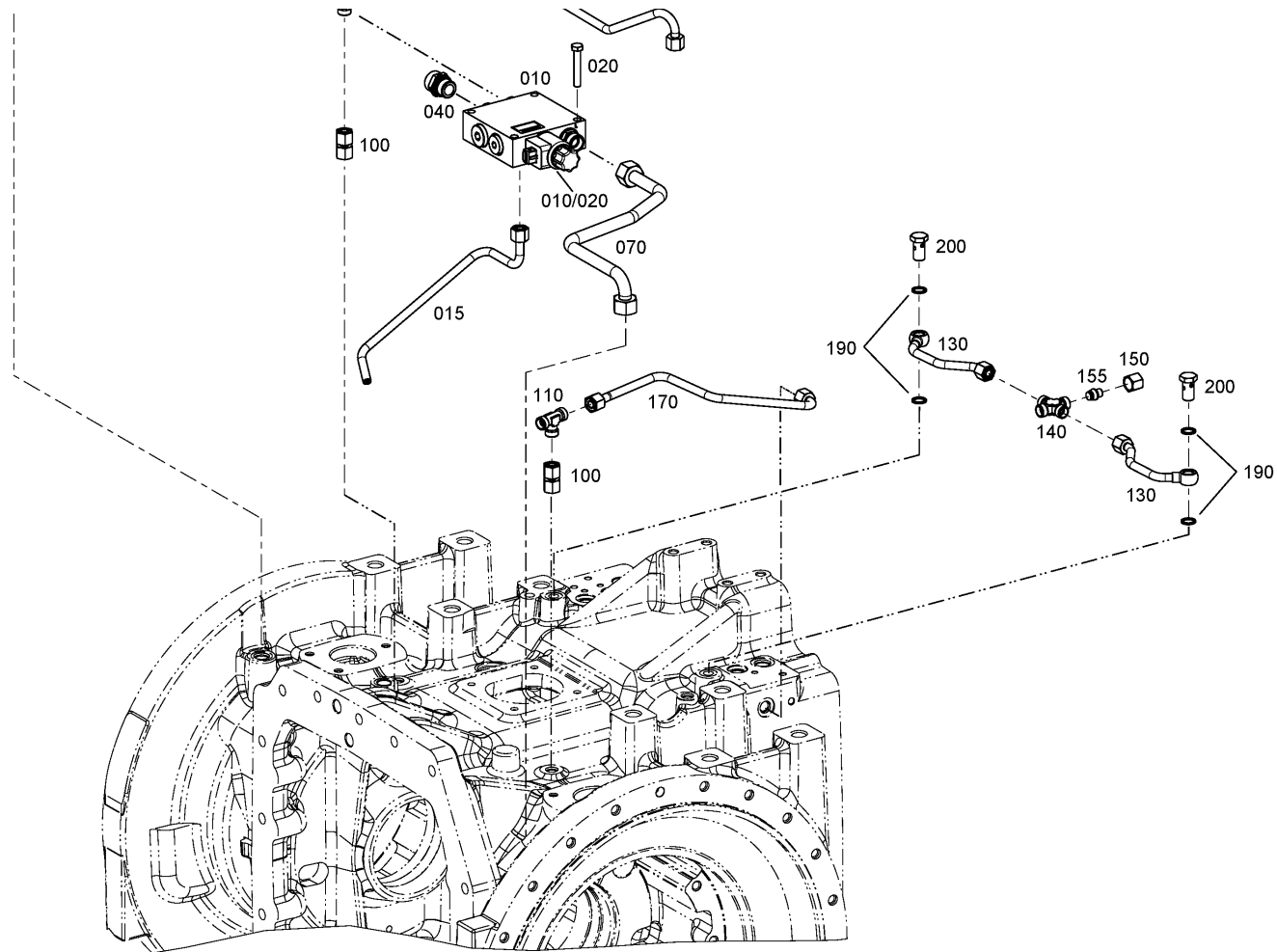
Material number: 2094.080.001

Picture: 209414704500

Material-assembly-group-no: 2094.147.045



T 7334 /
OIL SUPPLY



Picture

Page 1 from 1

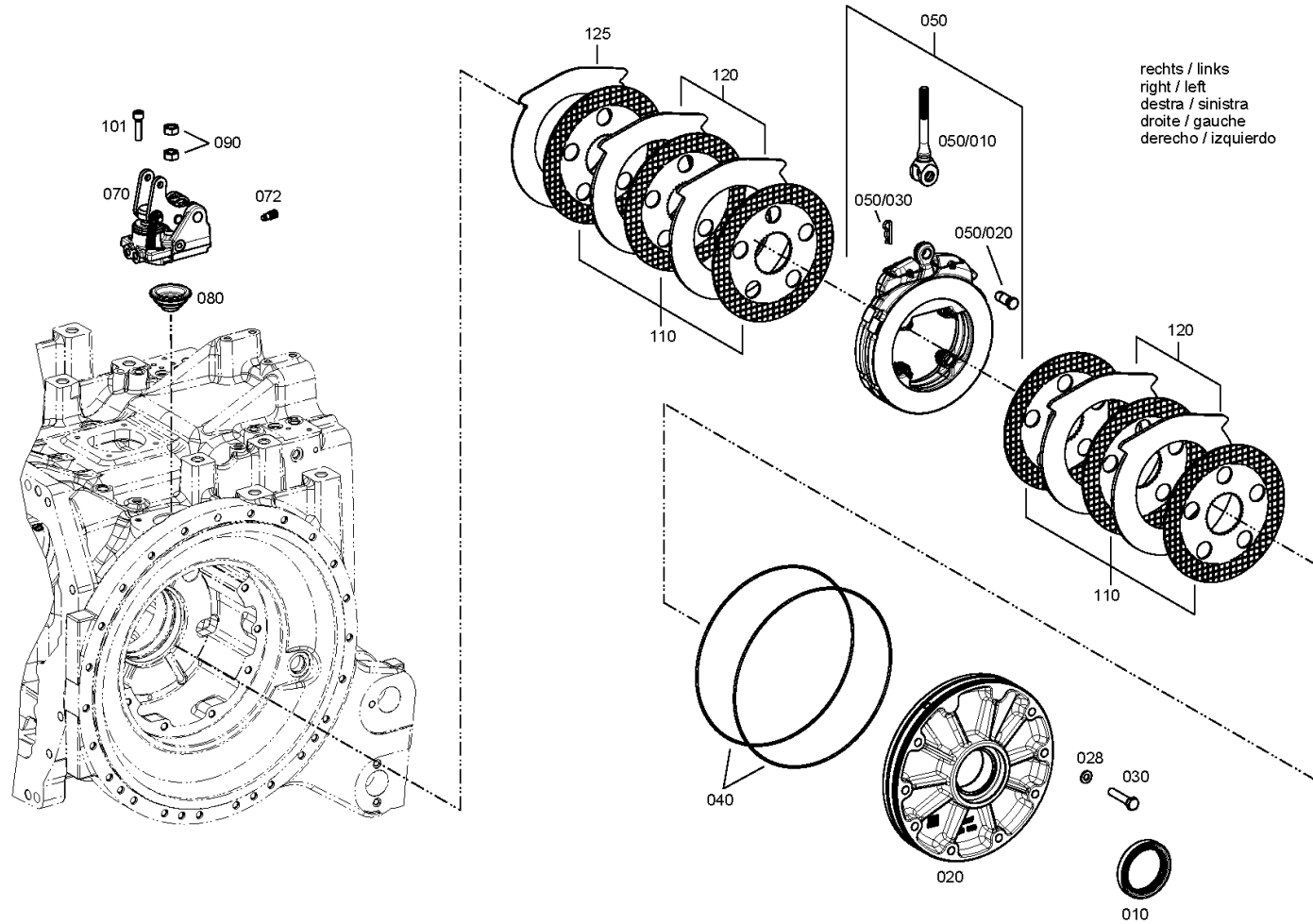
Material number: 2094.080.001

Picture: 209912400500

Material-assembly-group-no: 2099.124.005



T 7334 /
BRAKE



Picture

Page 1 from 1

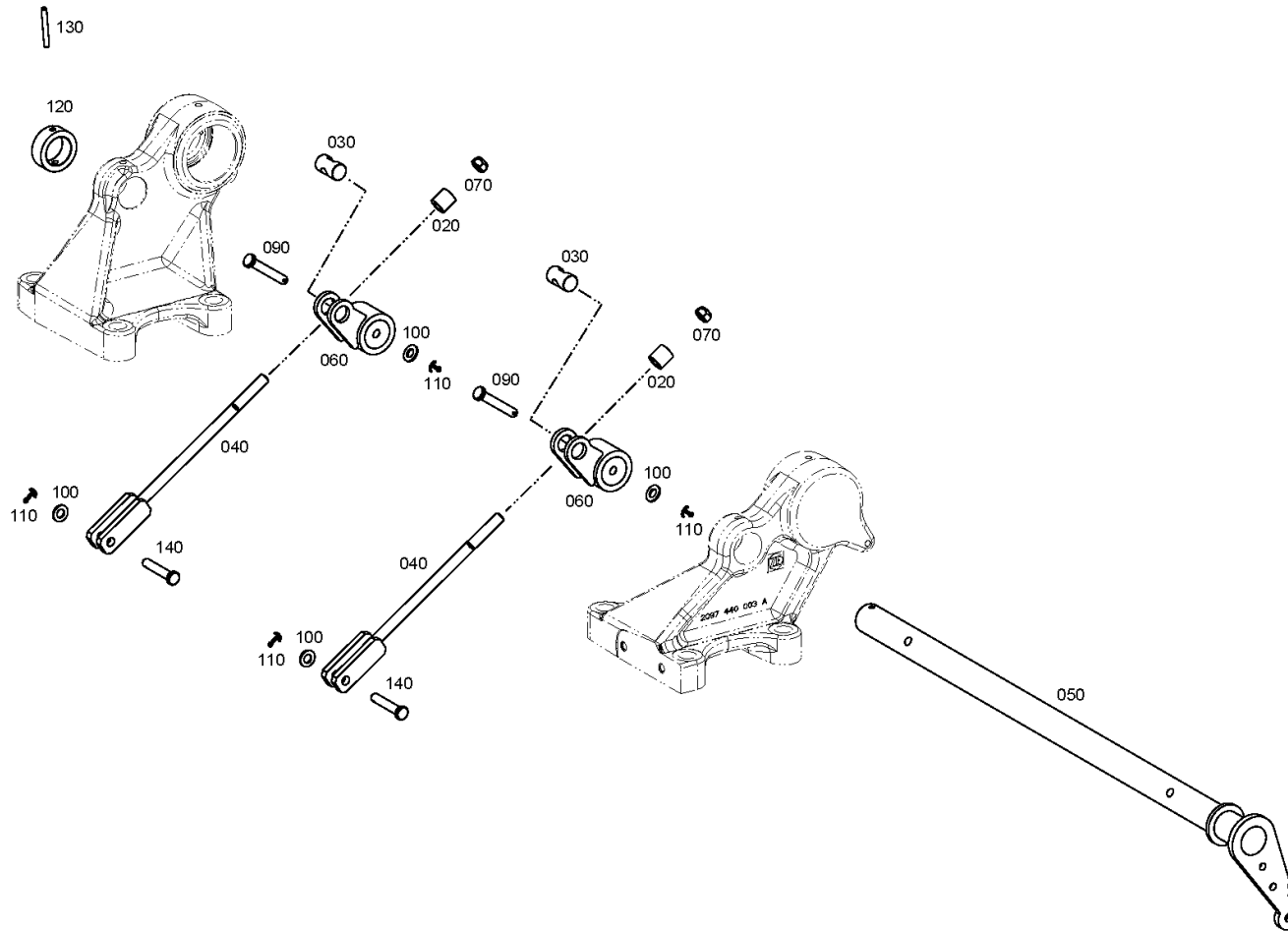
Material number: 2094.080.001

Picture: 209912900200

Material-assembly-group-no: 2099.129.002



T 7334 /
BRAKE SHAFT



Picture

Page 1 from 1

Material number: 2094.080.001

Picture: 209914001000

Material-assembly-group-no: 2099.140.010



T 7334 /
HOISTING UNIT

