



Spare Parts Catalog

ECCOM 3.0

Material number: 2096.040.009

Current date: 02.03.2022

ZF Friedrichshafen AG
Hauptverwaltung
80038 Friedrichshafen
Deutschland

Telefon: +49 7541 77-0

Telefax: +49 7541 77-908000

www.zf.com

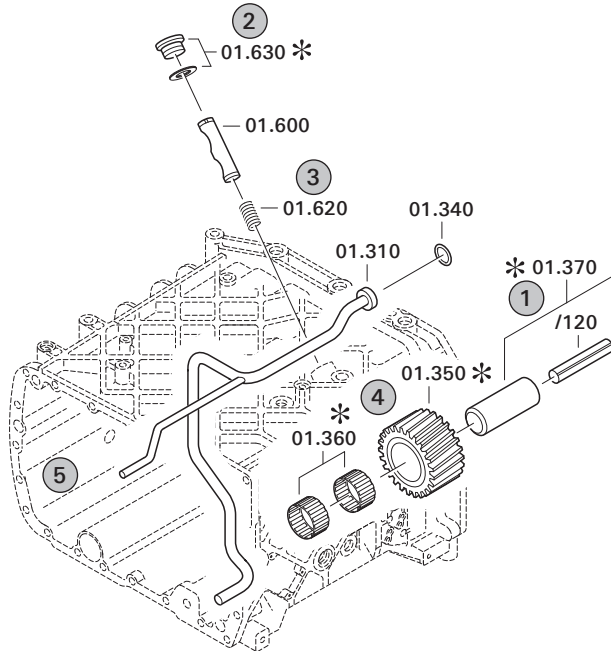
zuständiges Werk:
Passau

Notes relating to the spare parts catalog

Setup of the spare parts catalog

- Cover sheet
- Technical Cover (only in SDM print)
- Overview of figures
- Figure
- Associated parts list
- Next figure
- Associated parts list
- ...

Figure and parts list



Overview of figures

Bildtafel Figure	Sachnummer Product number	Benennung (Description)	Technische Info Technical info	Description (Benennung)	Menge Quantity	Einheit Unit
068.08.17	1316.170.001	AUSLEGER	WL	SHIFT TURRET	1	Stk
068.08.06	1316.170.031	DECKEL	WL*H-H *VM	COVER	1	Stk
068.08.14	1316.170.808	DECKEL	WL*AUSL+GEH*H-H*HF160N	COVER	1	Stk
08	1316.170.441	ANSCHLUSSTEILE	WL*NG-VORB*RG-SCHL*168N *BAJONETT	CONNECTING PARTS	1	Stk

The "gap" indicates that there is no separate graphics panel (poster) for this assembly
The parts of this assembly are shown with the same mid-section number on the figure

1 Positions and subpositions

Pos.	Sachnummer Product number	Benennung (Description)	Technische Info Technical info	Description (Benennung)	Menge Quantity	Einheit Unit
0370	1315.201.054	RUECKLAUFBOLZEN	KPL.16S151*SG*L= 79	REV.IDLER SHAFT	1	Stk
/0120	0631.329.293	SPANNSTIFT		SLOT. PIN	1	Stk

Positions marked with "/" are the individual items of a completion
For example: Position 0370 contains a centering pin with the position /0120

2 Combinations with standardized parts

Pos.	Sachnummer Product number	Benennung (Description)	Technische Info Technical info	Description (Benennung)	Menge Quantity	Einheit Unit
0630		VERSCHL.SCHR.		SCREW PLUG	1	Stk
	0636.302.067	VERSCHL.SCHR.		SCREW PLUG	1	Stk
	0634.801.249	DICHTRING	A 26 X 31	SEALING RING	1	Stk

The parts list shows the components included in the combination of standardized parts

3 Depiction of position/item number on the figure and in the parts list

01.620 - on the figure 01 relates to the assembly in which the position is included. Due to program-related reasons, it is shown on the figure.

0620 - in the parts list

Pos.	Sachnummer Product number	Benennung (Description)	Technische Info Technical info	Description (Benennung)	Menge Quantity	Einheit Unit
0620	0732.040.736	DRUCKFEDER		COMPRESSION SPRING	1	Stk

4 *-Positions

Positions marked with an * are optional i.e. inclusion in the parts list is not mandatory.
The following note is shown on the figure

je nach Stücklistenausführung
depending on spec. number
*
suivant la nomenclature
secondo la distinta base

5 Parts, dotted display

Parts with dotted display on the figure are only used for orientation of other parts

Assembly group overview

Page 1 from 1

Material number: 2096.040.009



ECCOM 3.0 /

Graphics	Pos.	Material number	Name	Quantity	Amend. no.	Techn. Info.
209610102400	10	2096.101.024	HOUSING	1		
209610202600	20	2096.102.026	INPUT	1		
209610701100	30	2096.107.011	HYDRAUL.CONTROL	1		
209615200250	40	2096.152.002	HYDRAUL.CONTROL	1		
209615901700	50	2096.159.017	INPUT	1		
209616000900	60	2096.160.009	PLANETARY DRIVE	1		
209616101200	70	2096.161.012	COUPLING	1		
209617101400	110	2096.171.014	PLANETARY DRIVE	1		
209616300600	90	2096.163.006	BRAKE	1		
209616201800	80	2096.162.018	COUPLING	1		
209616401900	100	2096.164.019	COUPLING	1		
209617402000	120	2096.174.020	OUTPUT	1		
	KIT	2096.260.007	PLANET CARRIER	1		
	KIT	2096.260.008	PLANET CARRIER	1		
	KIT	2096.260.009	PLANET CARRIER	1		
	KIT	2096.261.004	SPLINED TUBE	1		
	KIT	2096.261.005	CYLINDER	1		
	KIT	2096.298.062	RING GEAR	1		

Plant

Page 1 from 1

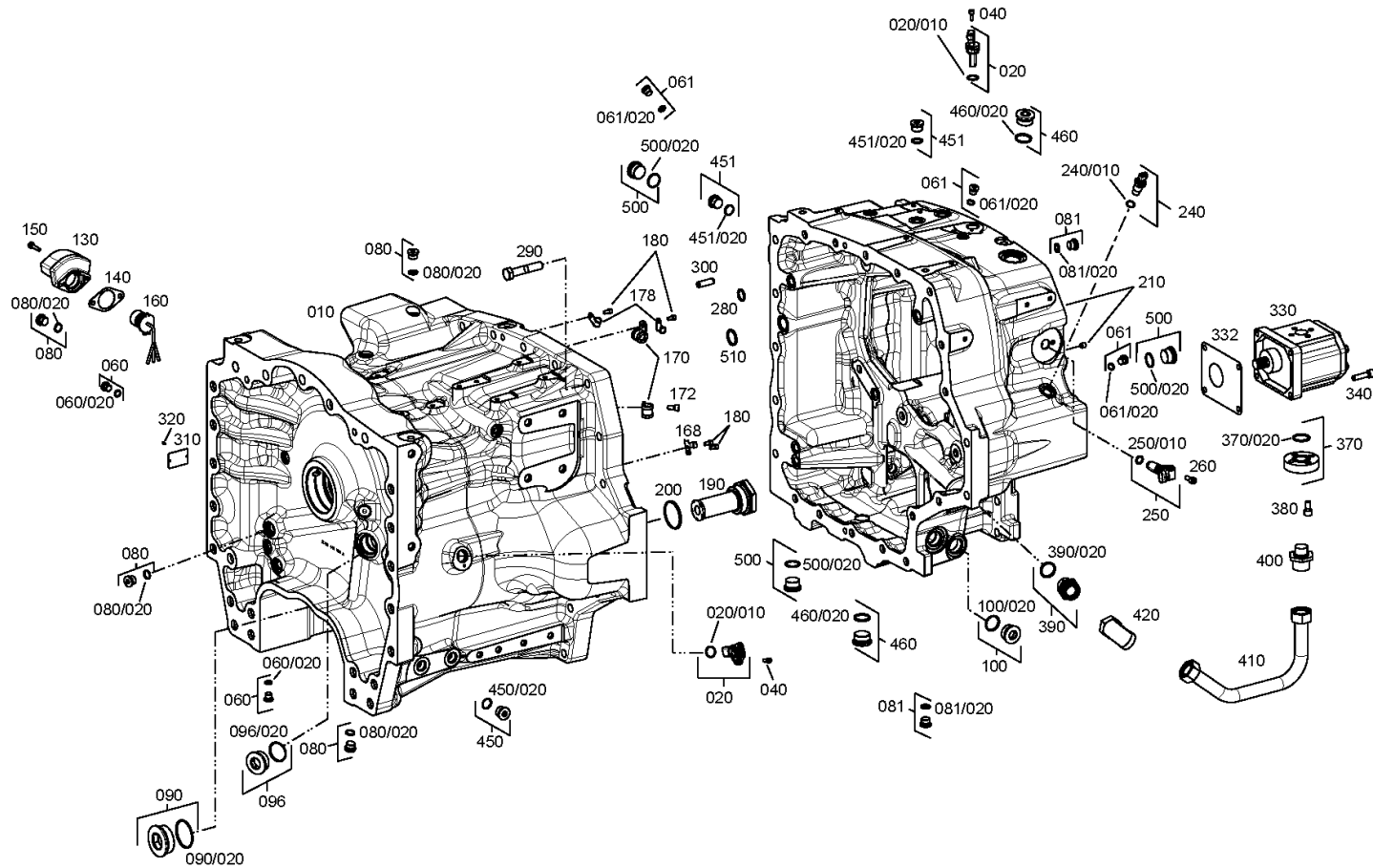
Material number: 2096.040.009

Plant: 209610102400

Material-assembly-group-no: 2096.101.024



ECCOM 3.0 /
HOUSING



Plant

Page 1 from 2

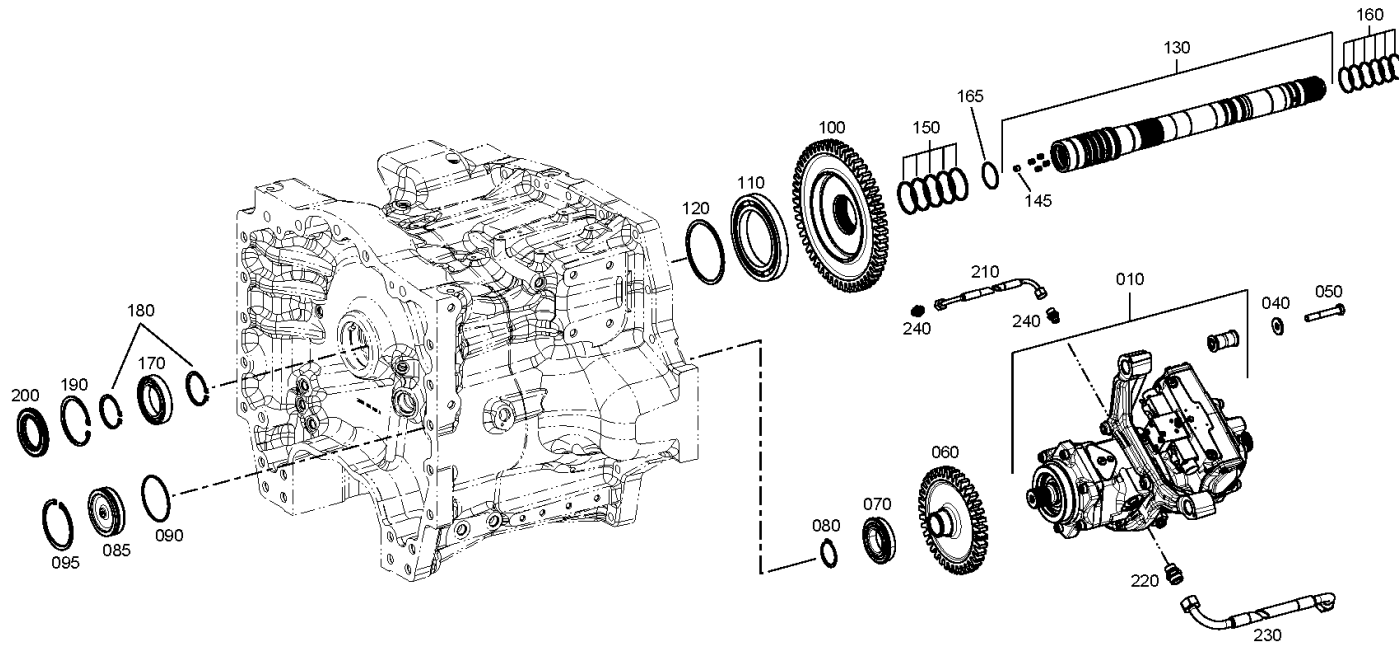
Material number: 2096.040.009

Plant: 209610202600

Material-assembly-group-no: 2096.102.026



ECCOM 3.0 /
INPUT



Plant

Page 2 from 2

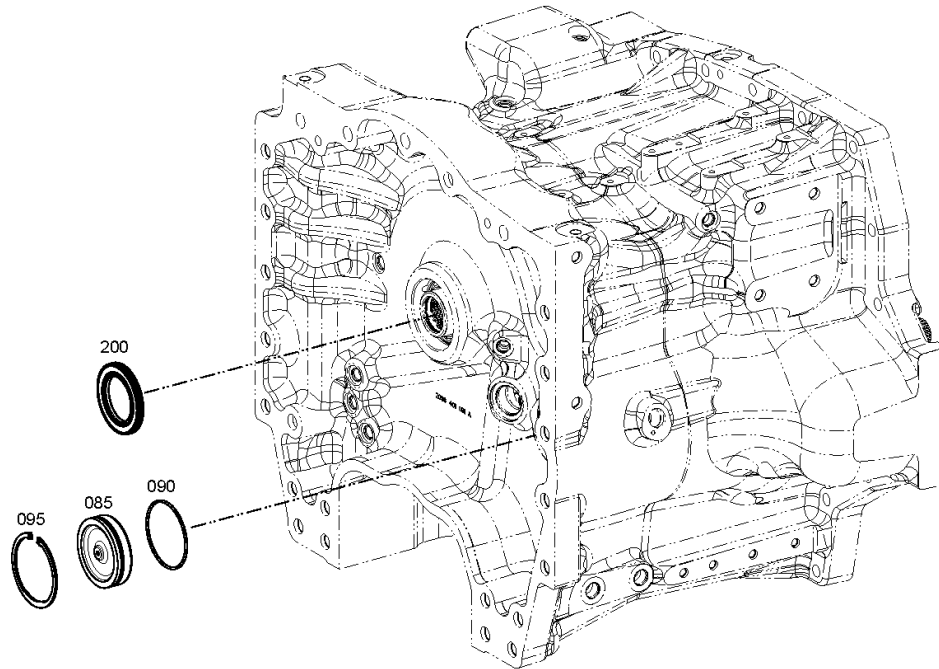
Material number: 2096.040.009

Plant: 209610202680

Material-assembly-group-no: 2096.102.026



ECCOM 3.0 /
INPUT



Plant

Page 1 from 2

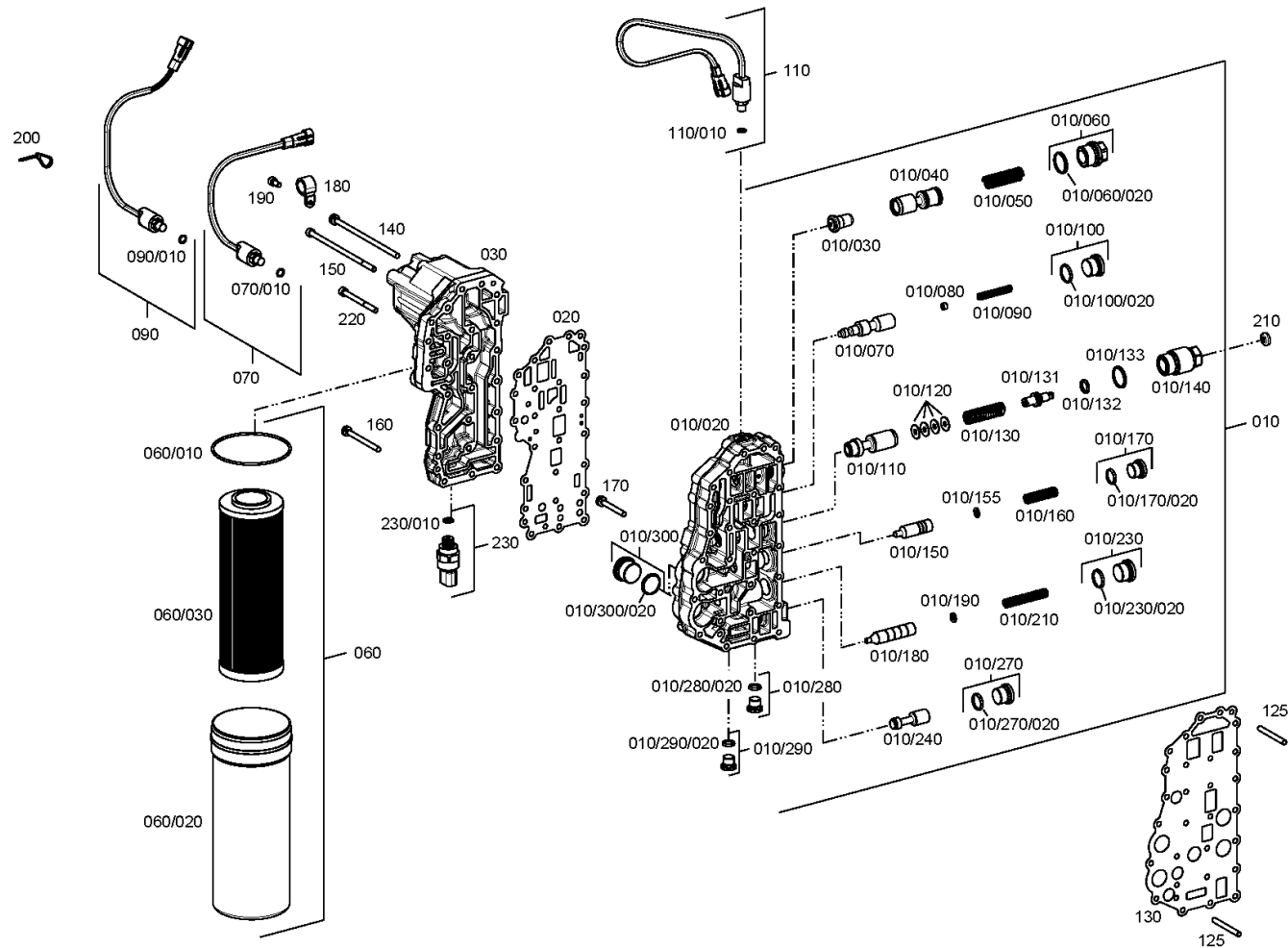
Material number: 2096.040.009

Plant: 209610701100

Material-assembly-group-no: 2096.107.011



ECCOM 3.0 /
HYDRAUL.CONTROL



Plant

Page 2 from 2

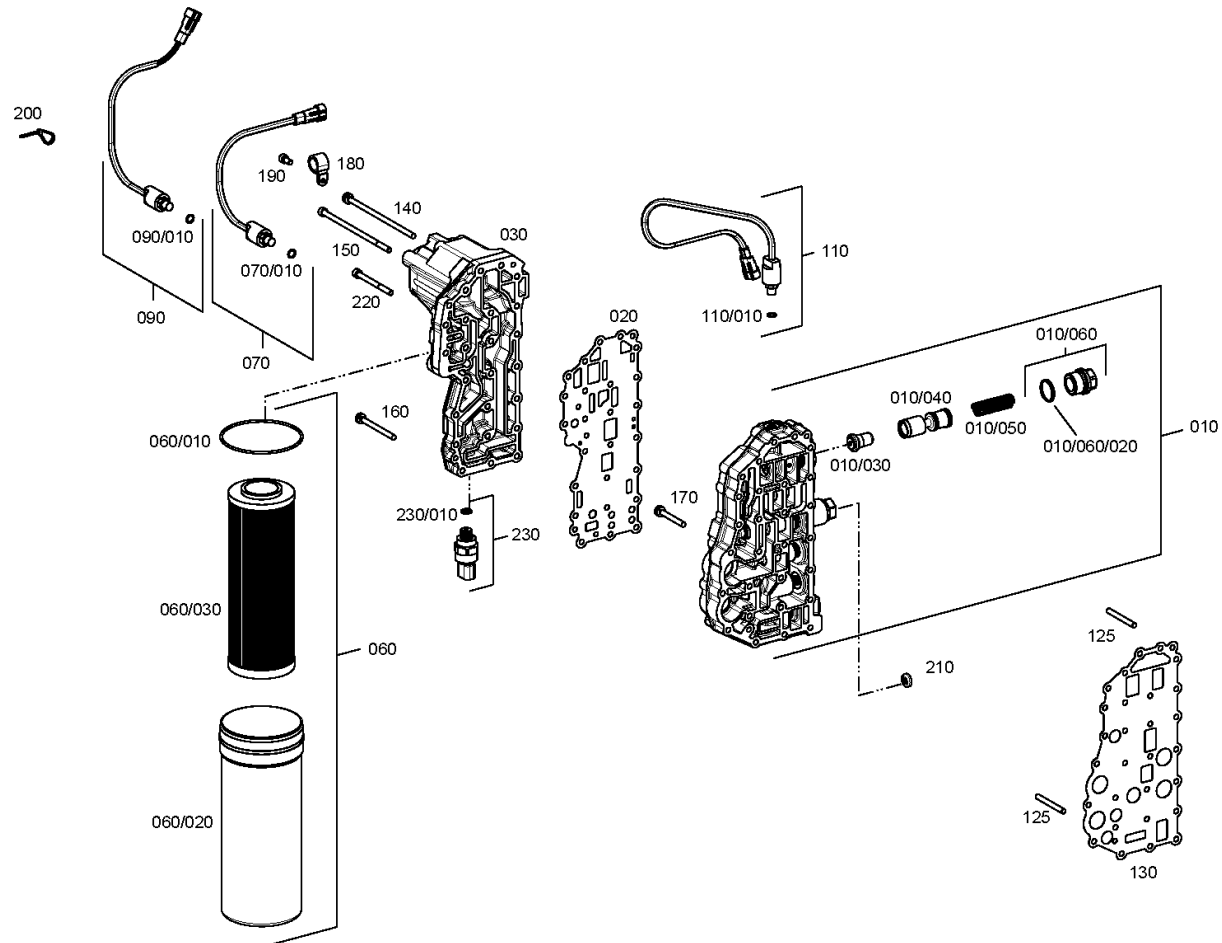
Material number: 2096.040.009

Plant: 209610701180

Material-assembly-group-no: 2096.107.011



ECCOM 3.0 /
HYDRAUL.CONTROL



Plant

Page 1 from 2

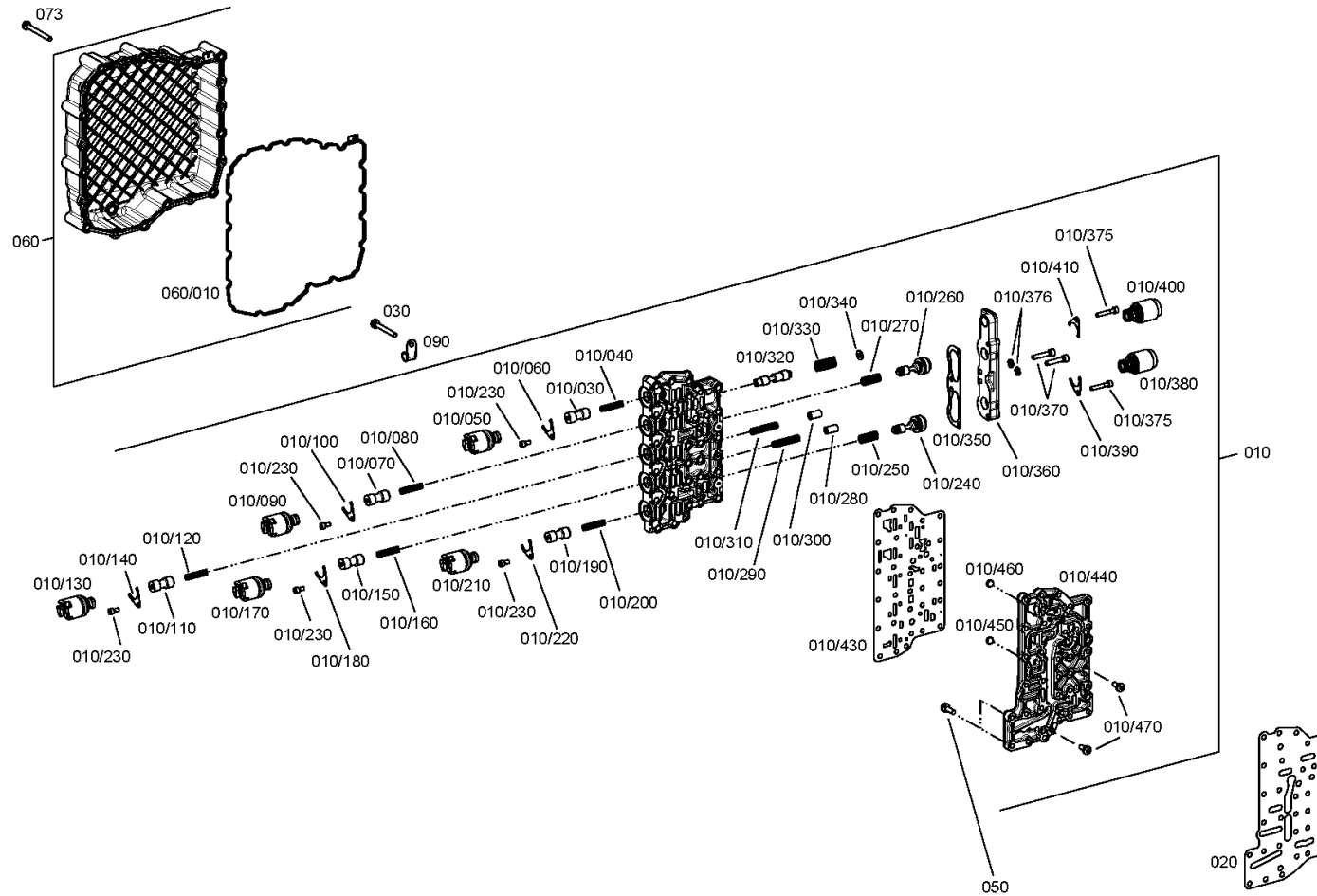
Material number: 2096.040.009

Plant: 209615200250

Material-assembly-group-no: 2096.152.002



ECCOM 3.0 /
HYDRAUL.CONTROL



Plant

Page 2 from 2

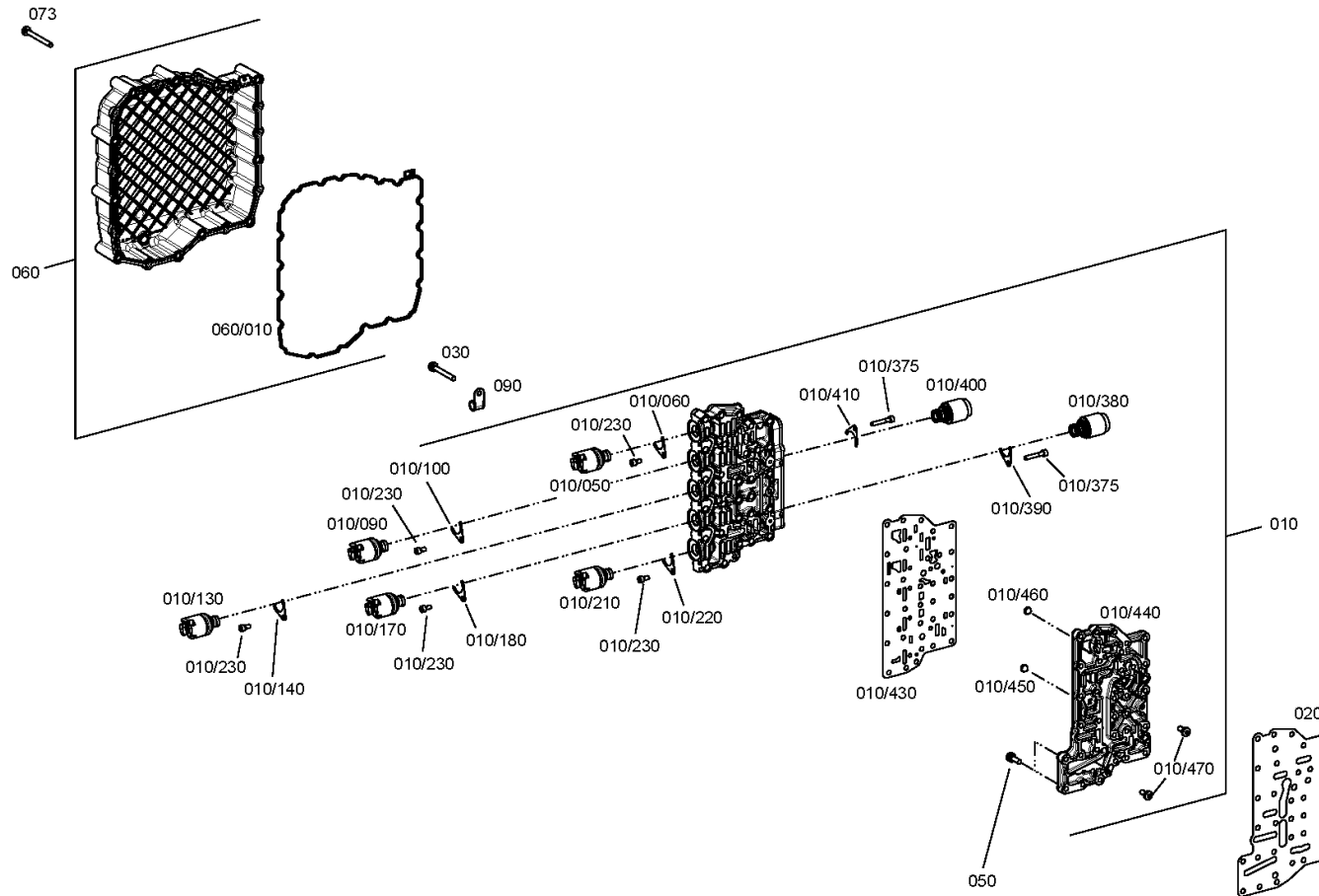
Material number: 2096.040.009

Plant: 209615200251

Material-assembly-group-no: 2096.152.002



ECCOM 3.0 /
HYDRAUL.CONTROL



Plant

Page 1 from 1

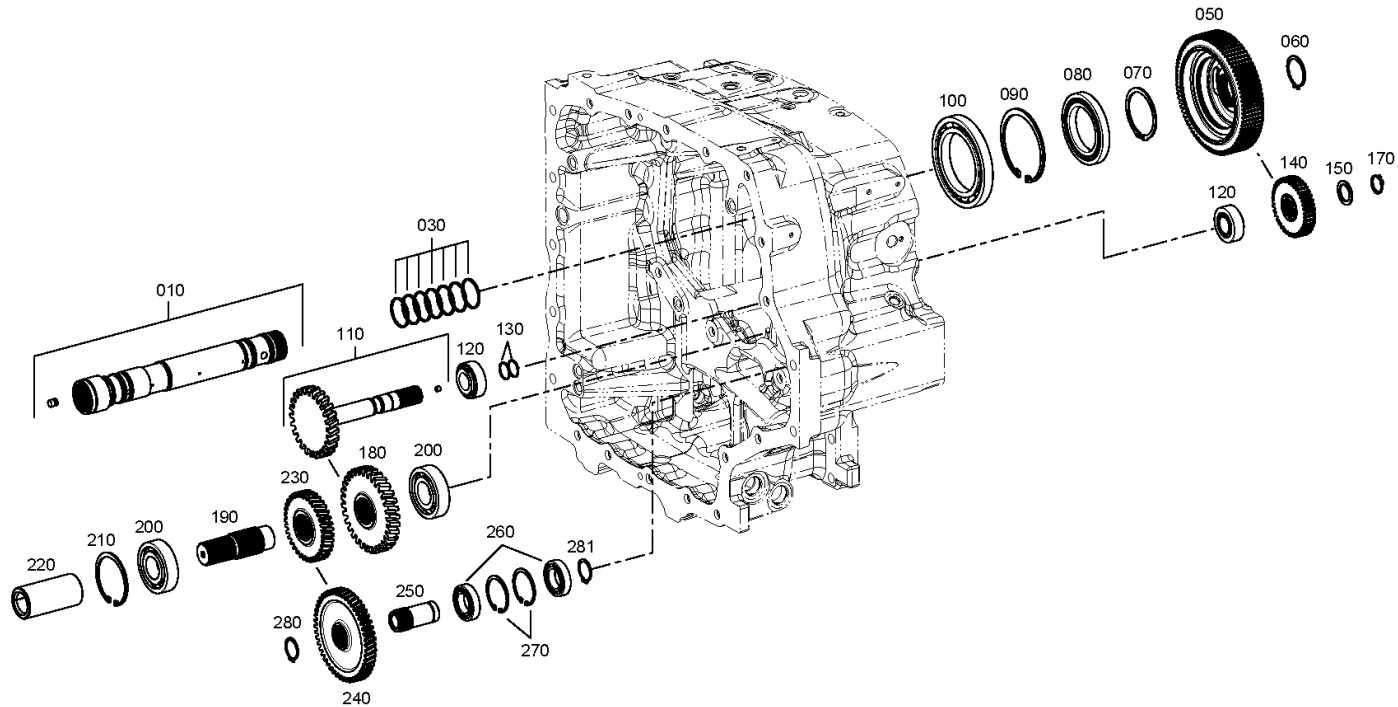
Material number: 2096.040.009

Plant: 209615901700

Material-assembly-group-no: 2096.159.017



ECCOM 3.0 /
INPUT



Plant

Page 1 from 1

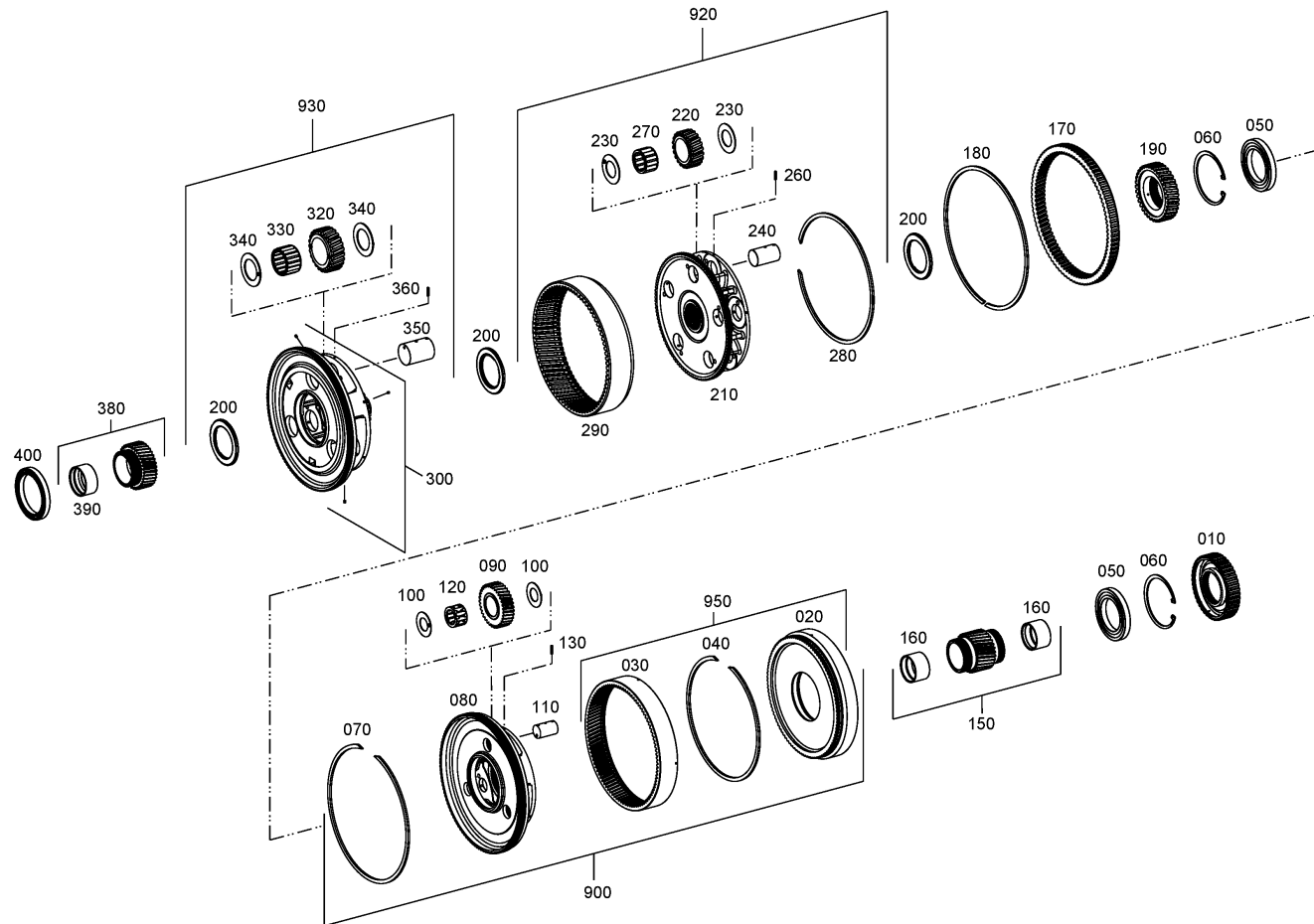
Material number: 2096.040.009

Plant: 209616000900

Material-assembly-group-no: 2096.160.009



ECCOM 3.0 /
PLANETARY DRIVE



Plant

Page 1 from 1

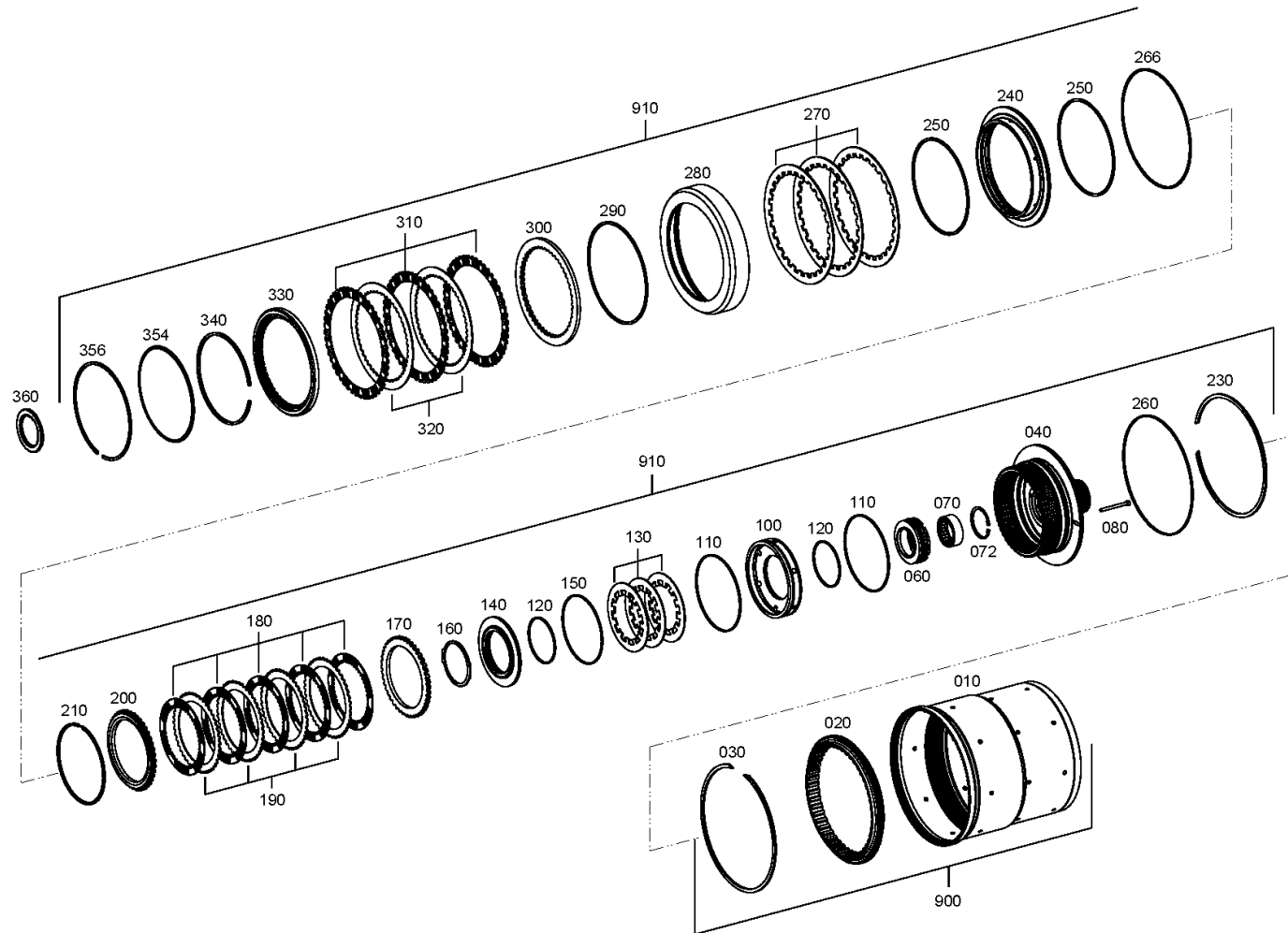
Material number: 2096.040.009

Plant: 209616101200

COUPLING



ECCOM 3.0 /
COUPLING



Plant

Page 1 from 1

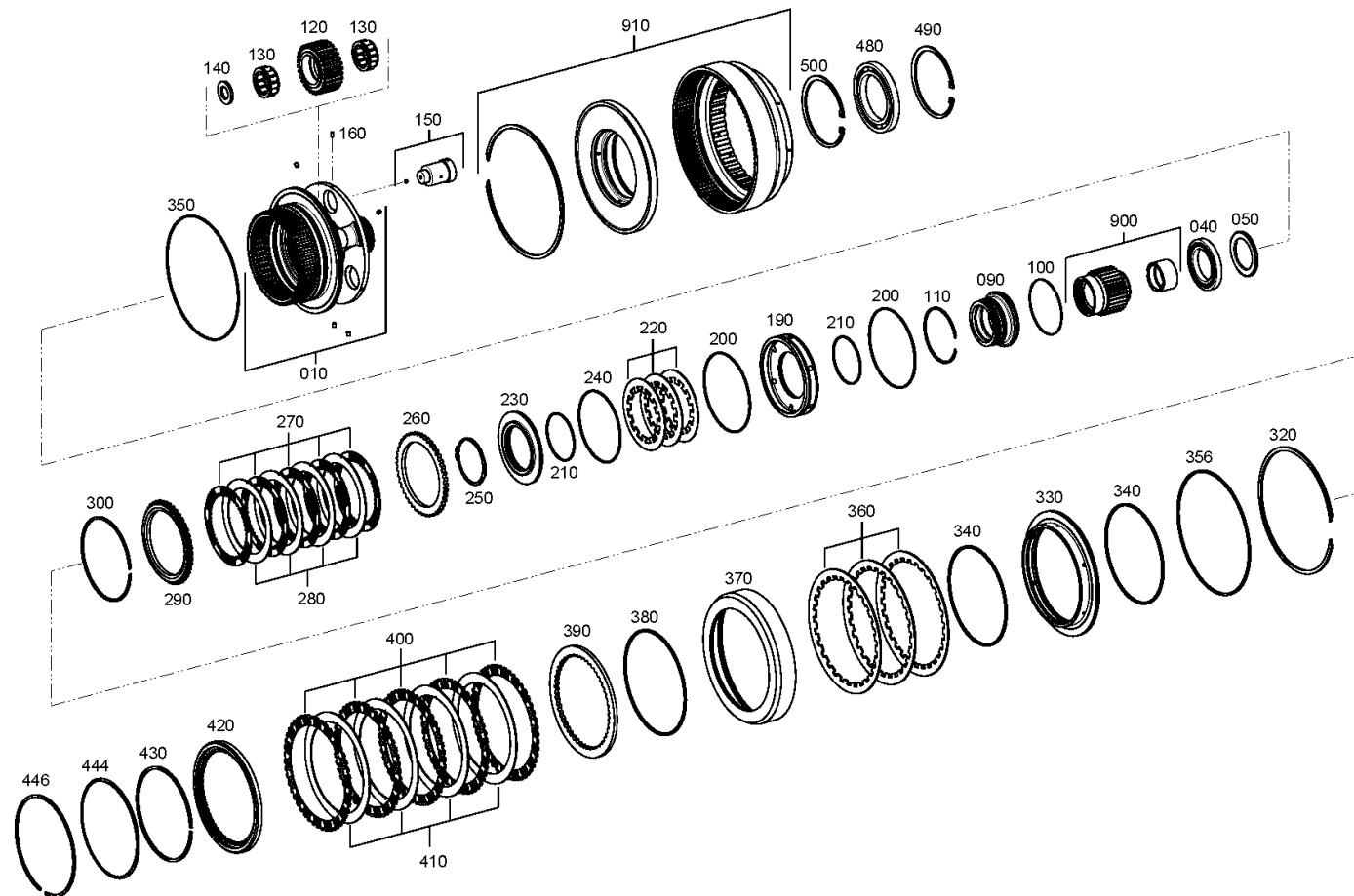
Material number: 2096.040.009

Plant: 209617101400

Material-assembly-group-no: 2096.171.014



ECCOM 3.0 /
PLANETARY DRIVE



Plant

Page 1 from 1

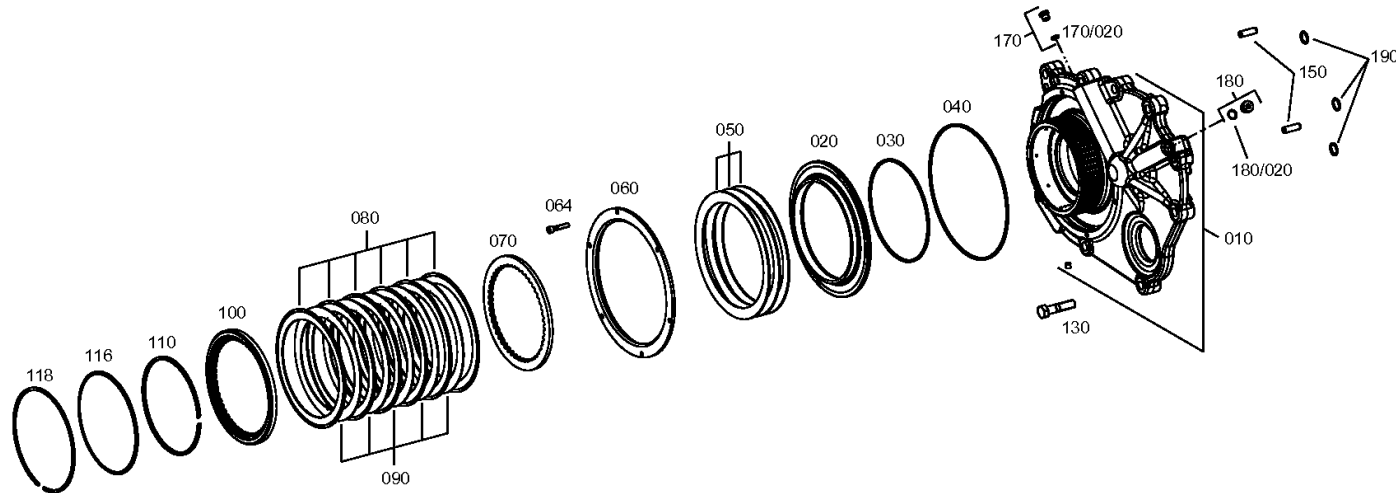
Material number: 2096.040.009

Plant: 209616300600

Material-assembly-group-no: 2096.163.006



ECCOM 3.0 /
BRAKE



Plant

Page 1 from 1

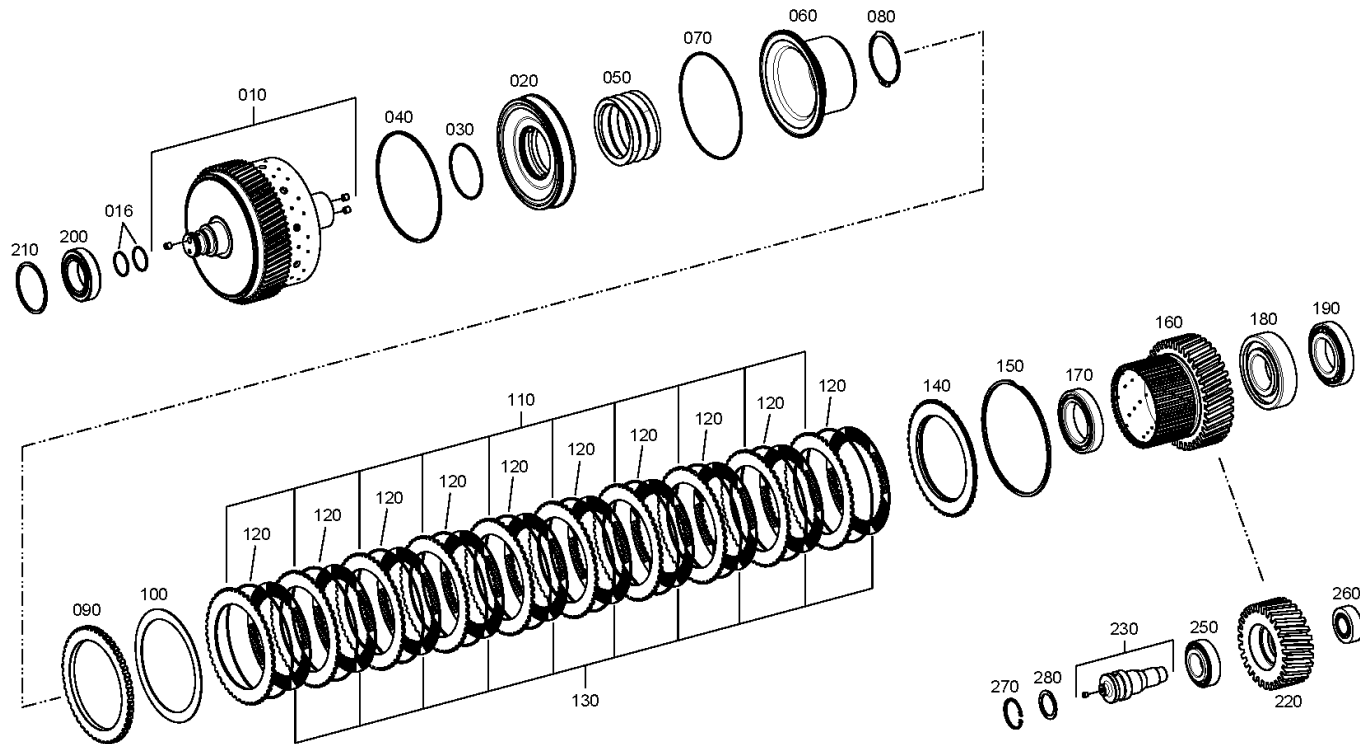
Material number: 2096.040.009

Plant: 209616401900

Material-assembly-group-no: 2096.164.019



ECCOM 3.0 /
COUPLING



Plant

Page 1 from 1

Material number: 2096.040.009

Plant: 209617402000

Material-assembly-group-no: 2096.174.020



ECCOM 3.0 /
OUTPUT

