



Spare Parts Catalog

ECCOM 5.0

Material number: 2096.050.028

Current date: 28.06.2018

ZF Friedrichshafen AG
Hauptverwaltung
80038 Friedrichshafen
Deutschland

Telefon: +49 7541 77-0

Telefax: +49 7541 77-908000

www.zf.com

zuständiges Werk:
Passau

Notes relating to the spare parts catalog

Setup of the spare parts catalog

- Cover sheet
- Technical Cover (only in SDM print)
- Overview of figures
- Figure
- Associated parts list
- Next figure
- Associated parts list
- ...

Figure and parts list



Overview of figures

Bildtafel Figure	Sachnummer Product number	Benennung (Description)	Technische Info Technical info	Description (Benennung)	Menge Quantity	Einheit Unit
068.08.17	1316.170.001	AUSLEGER	WL	SHIFT TURRET	1	Stk
068.08.06	1316.170.031	DECKEL	WL*H-H *VM	COVER	1	Stk
068.08.14	1316.170.808	DECKEL	WL*AUSL+GEH*H-H*HF160N	COVER	1	Stk
08	1316.170.441	ANSCHLUSSTEILE	WL*NG-VORB*RG-SCHL*168N *BAJONETT	CONNECTING PARTS	1	Stk

The "gap" indicates that there is no separate graphics panel (poster) for this assembly
The parts of this assembly are shown with the same mid-section number on the figure

1 Positions and subpositions

Pos.	Sachnummer Product number	Benennung (Description)	Technische Info Technical info	Description (Benennung)	Menge Quantity	Einheit Unit
0370	1315.201.054	RUECKLAUFBOLZEN	KPL.16S151*SG*L= 79	REV.IDLER SHAFT	1	Stk
/0120	0631.329.293	SPANNSTIFT		SLOT. PIN	1	Stk

Positions marked with "/" are the individual items of a completion
For example: Position 0370 contains a centering pin with the position /0120

2 Combinations with standardized parts

Pos.	Sachnummer Product number	Benennung (Description)	Technische Info Technical info	Description (Benennung)	Menge Quantity	Einheit Unit
0630		VERSCHL.SCHR.		SCREW PLUG	1	Stk
	0636.302.067	VERSCHL.SCHR.		SCREW PLUG	1	Stk
	0634.801.249	DICHTRING	A 26 X 31	SEALING RING	1	Stk

The parts list shows the components included in the combination of standardized parts

3 Depiction of position/item number on the figure and in the parts list

01.620 - on the figure 01 relates to the assembly in which the position is included. Due to program-related reasons, it is shown on the figure.

0620 - in the parts list

Pos.	Sachnummer Product number	Benennung (Description)	Technische Info Technical info	Description (Benennung)	Menge Quantity	Einheit Unit
0620	0732.040.736	DRUCKFEDER		COMPRESSION SPRING	1	Stk

4 *-Positions

Positions marked with an * are optional i.e. inclusion in the parts list is not mandatory.
The following note is shown on the figure

je nach Stücklistenausführung
depending on spec. number
*
suivant la nomenclature
secondo la distinta base

5 Parts, dotted display

Parts with dotted display on the figure are only used for orientation of other parts

Assembly group overview

Page 1 from 2

Material number: 2096.050.028



ECCOM 5.0 /

Picture	Pos.	Material number	Name	Quantity	Amend. no.	Techn. Info.
209610103801	10	2096.101.038	HOUSING	1		
209610701000	20	2096.107.010	CONTROL UNIT	1		
209615200200	30	2096.152.002	HYDRAUL.CONTROL	1		
209614701500	40	2096.147.015	OIL SUPPLY	1		
209610203200	50	2096.102.032	INPUT	1		
209615901100	60	2096.159.011	INPUT	1		
209612201100	70	2096.122.011	PUMP DRIVE	1		
209616001100	80	2096.160.011	PLANETARY DRIVE	1		
209616100700	90	2096.161.007	COUPLING	1		
209617101000	100	2096.171.010	PLANETARY DRIVE	1		
209616300400	110	2096.163.004	BRAKE	1		
	900	2096.263.001	BRAKE	0		
209616402400	120	2096.164.024	COUPLING	1		
	910	2096.262.014	SPUR GEAR	0		
209616201100	130	2096.162.011	COUPLING	1		
209617401600	140	2096.174.016	OUTPUT	1		
209614600300	150	2096.146.003	FRONT WH.DRIVE	1		

Assembly group overview

Page 2 from 2

Material number: 2096.050.028



ECCOM 5.0 /

Picture	Pos.	Material number	Name	Quantity	Amend. no.	Techn. Info.
2096110019 00	160	2096.110.019	P.T.O. SHAFT	1		
	KIT	2096.260.007	PLANET CARRIER	0		
	KIT	2096.260.009	PLANET CARRIER	0		
	KIT	2096.261.004	SPLINED TUBE	0		
	KIT	2096.261.005	CYLINDER	0		
	KIT	2096.298.022	INTERMEDIATE SHAFT	0		
	KIT	2096.298.043	PLANET CARRIER	0		
	KIT	2096.298.062	RING GEAR	0		

Picture

Page 1 from 3

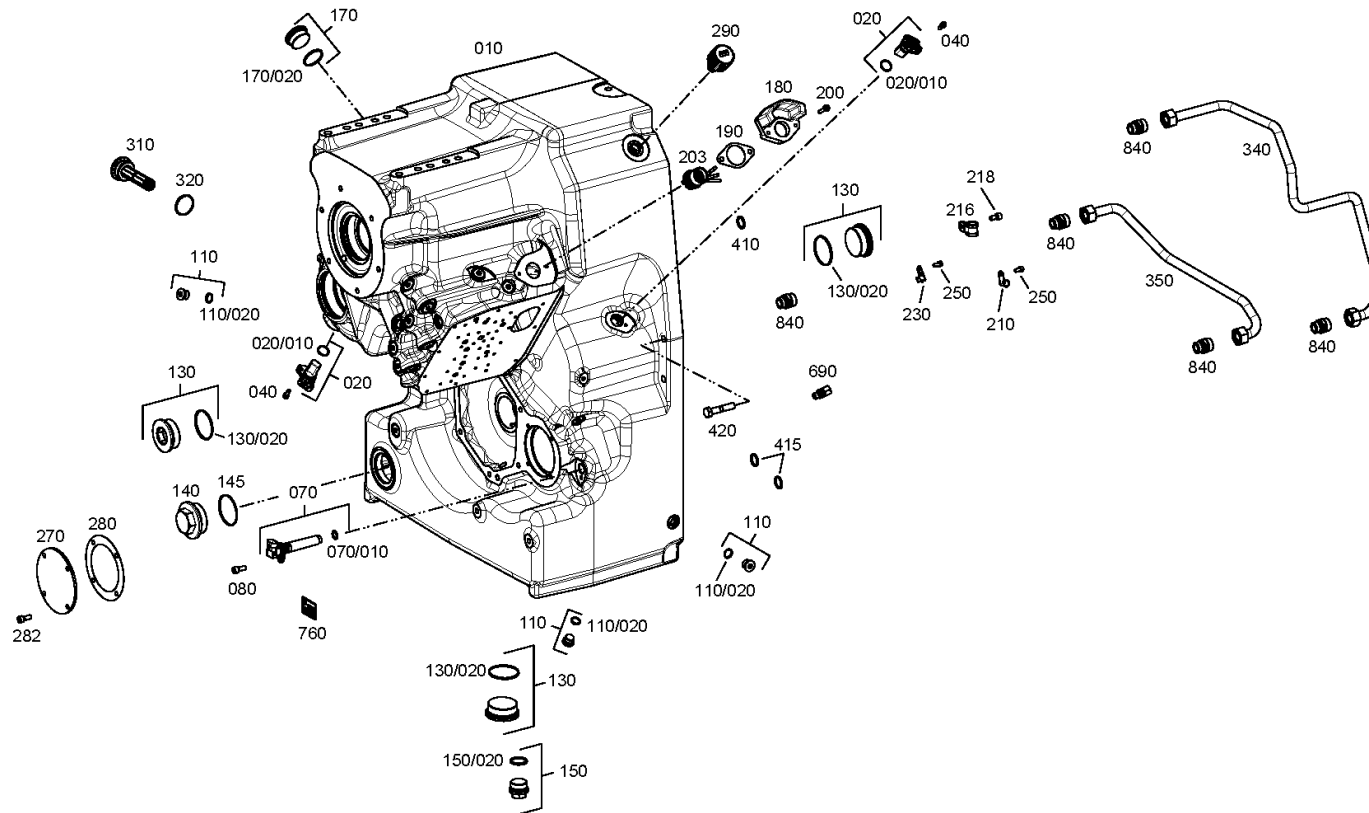
Material number: 2096.050.028

Picture: 209610103801

Material-assembly-group-no: 2096.101.038



ECCOM 5.0 /
HOUSING



Picture

Page 2 from 3

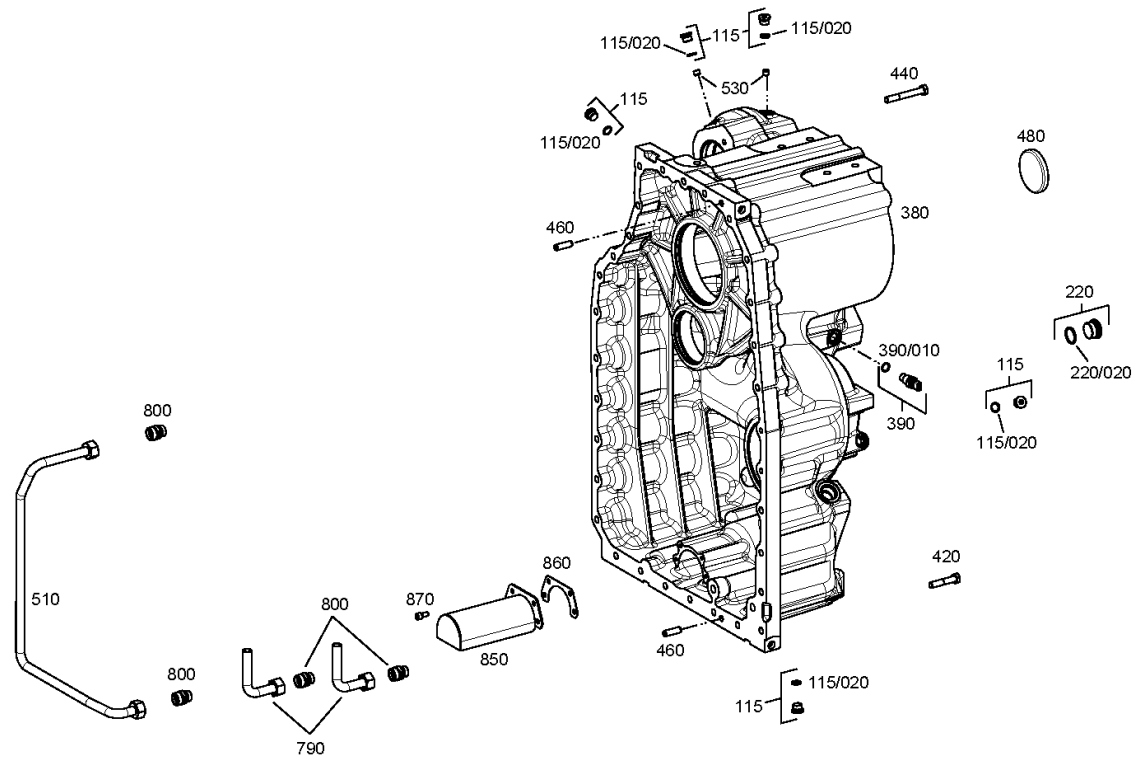
Material number: 2096.050.028

Picture: 209610103802

Material-assembly-group-no: 2096.101.038



ECCOM 5.0 /
HOUSING



Picture

Page 3 from 3

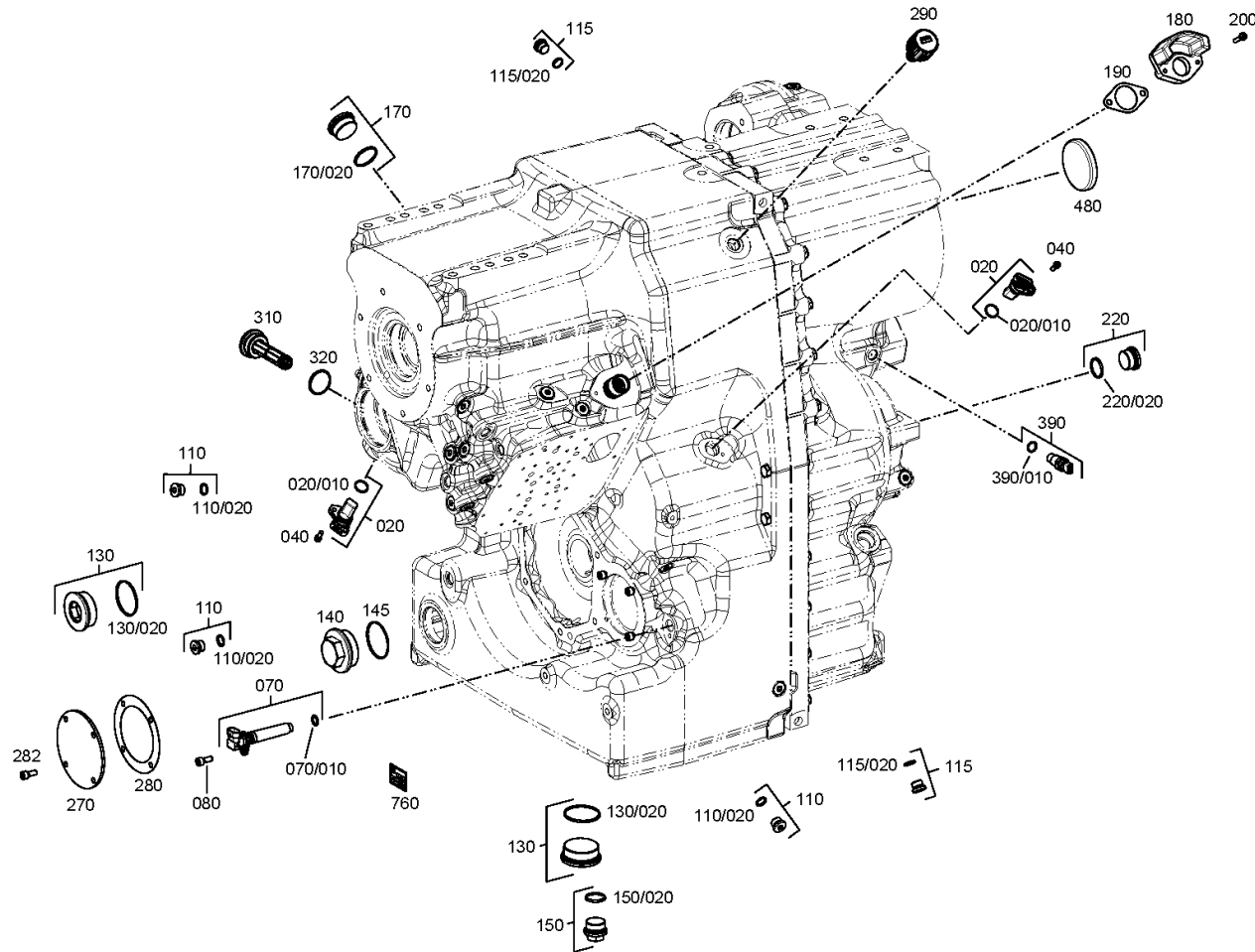
Material number: 2096.050.028

Picture: 209610103880

Material-assembly-group-no: 2096.101.038



ECCOM 5.0 /
HOUSING



Picture

Page 1 from 2

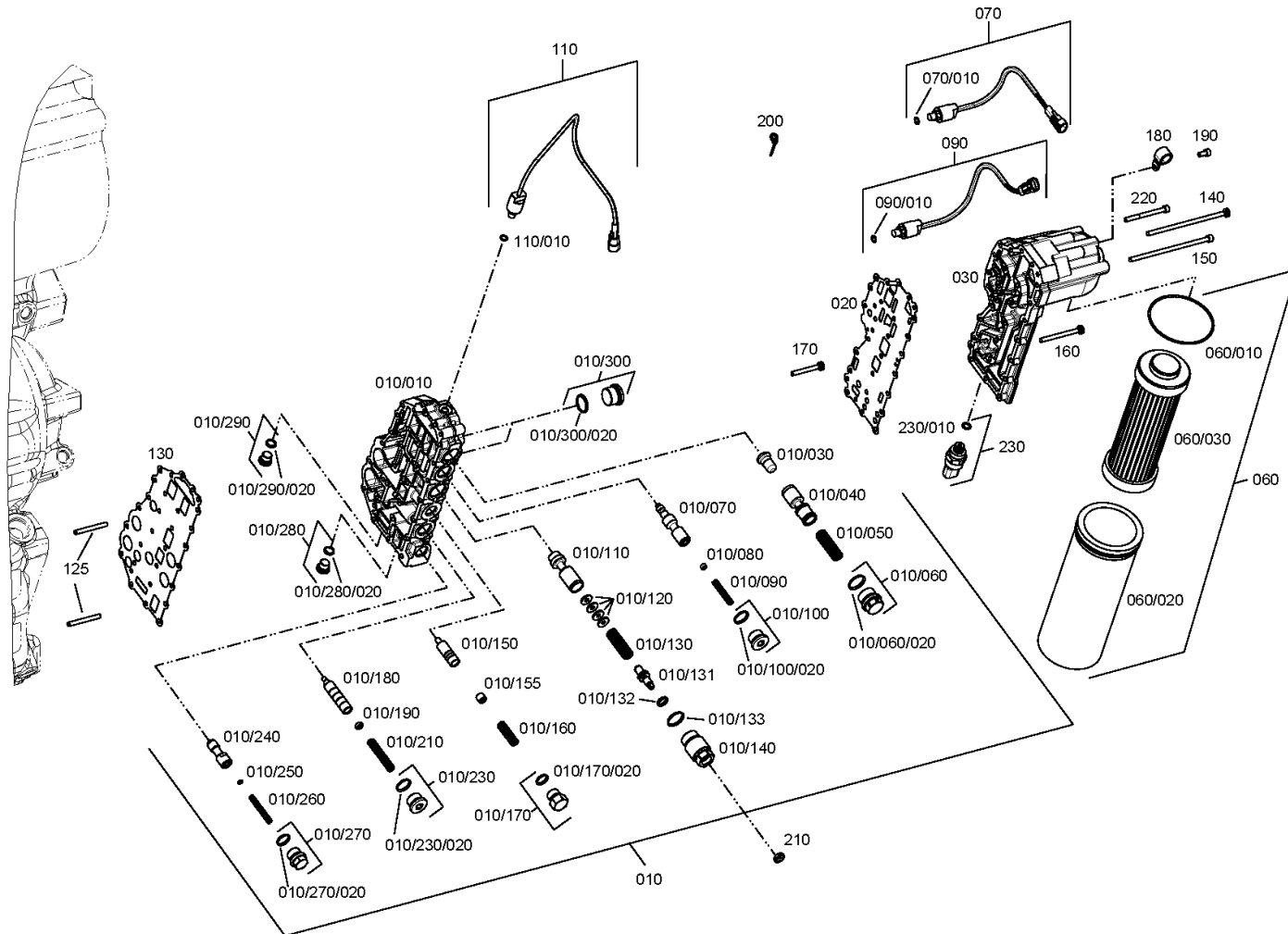
Material number: 2096.050.028

Picture: 209610701000

Material-assembly-group-no: 2096.107.010



ECCOM 5.0 /
CONTROL UNIT



Picture

Page 2 from 2

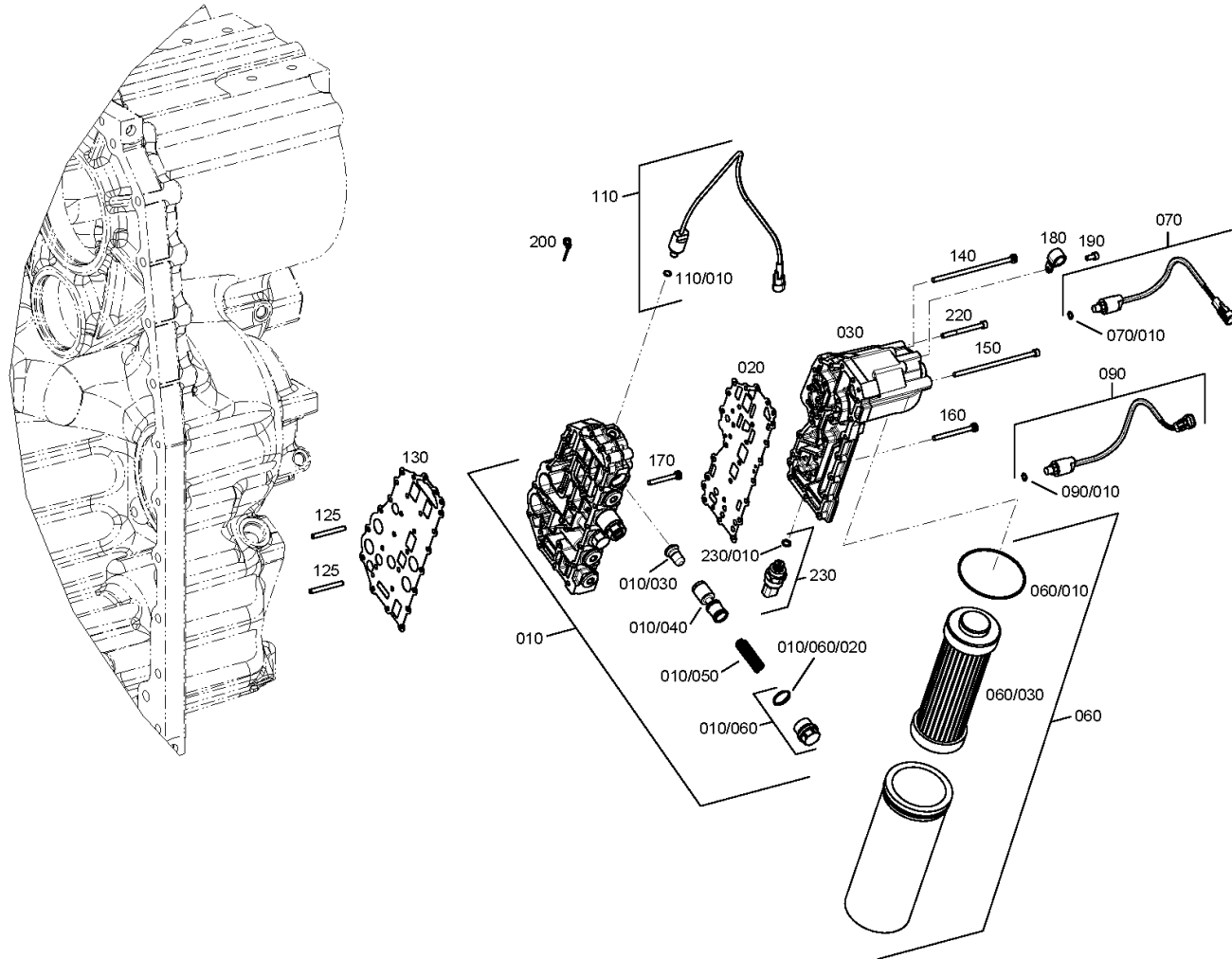
Material number: 2096.050.028

Picture: 209610701081

Material-assembly-group-no: 2096.107.010



ECCOM 5.0 /
CONTROL UNIT



Picture

Page 1 from 2

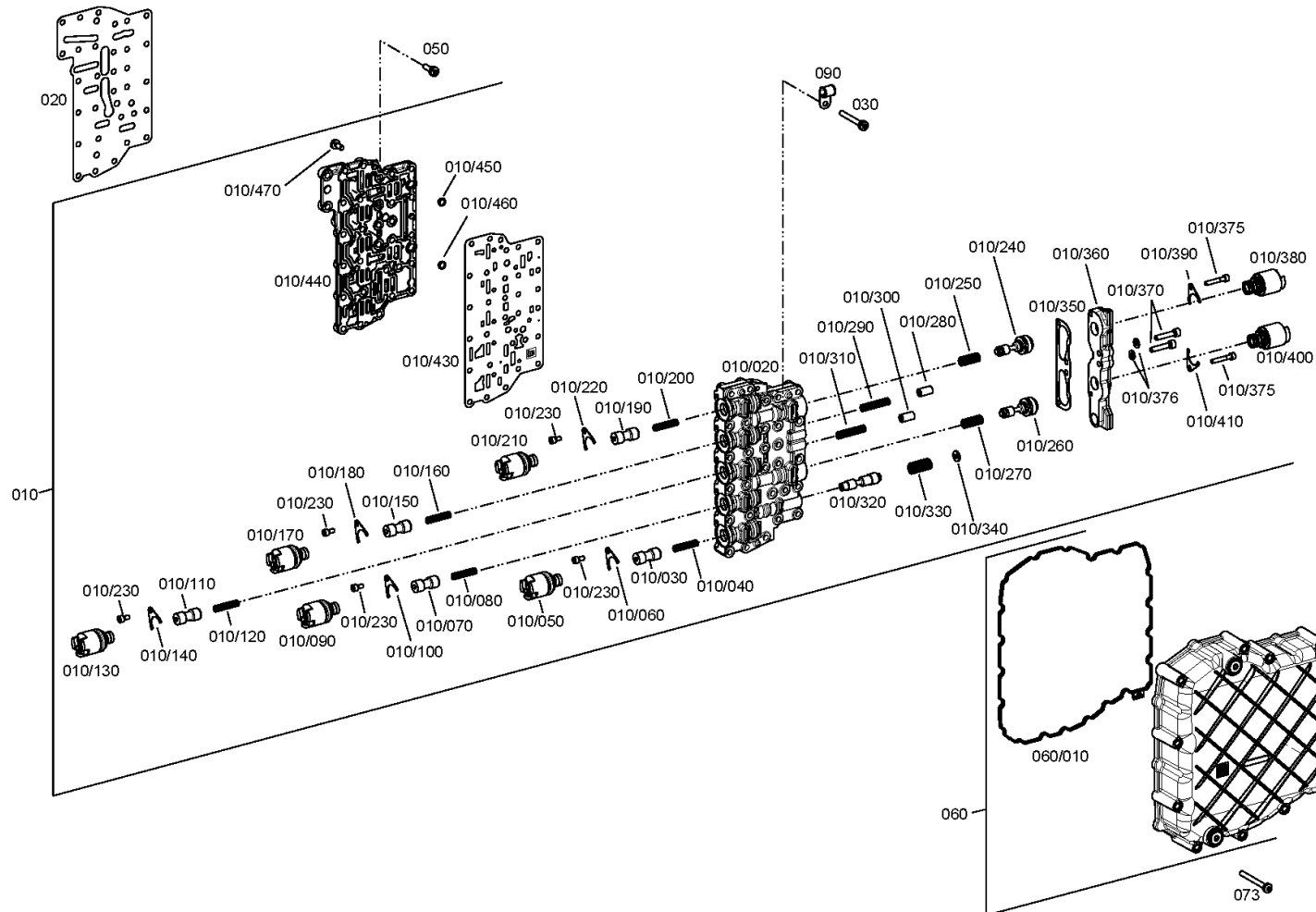
Material number: 2096.050.028

Picture: 209615200200

Material-assembly-group-no: 2096.152.002



ECCOM 5.0 /
HYDRAUL.CONTROL



Picture

Page 2 from 2

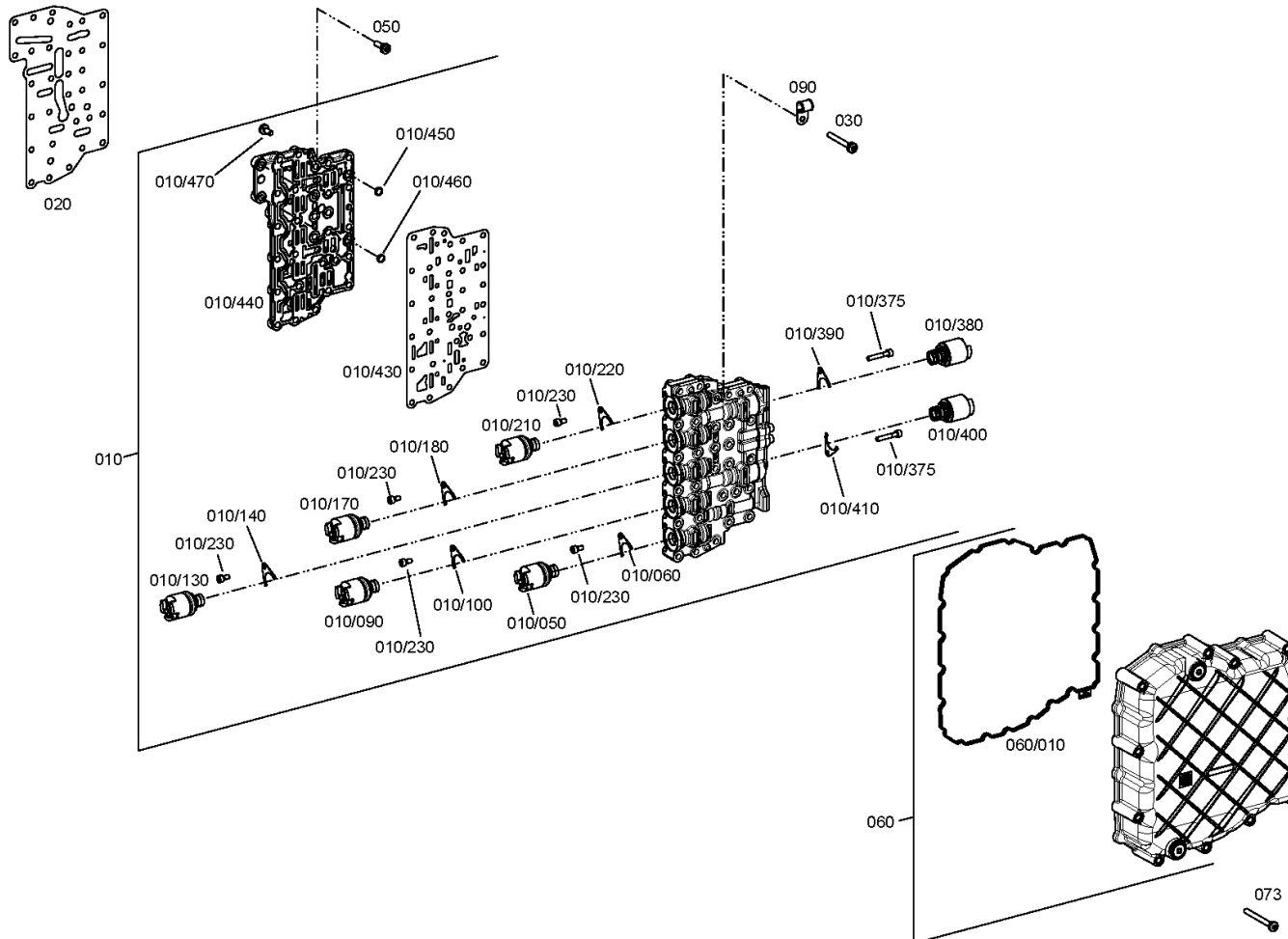
Material number: 2096.050.028

Picture: 209615200281

Material-assembly-group-no: 2096.152.002



ECCOM 5.0 /
HYDRAUL.CONTROL



Picture

Page 1 from 1

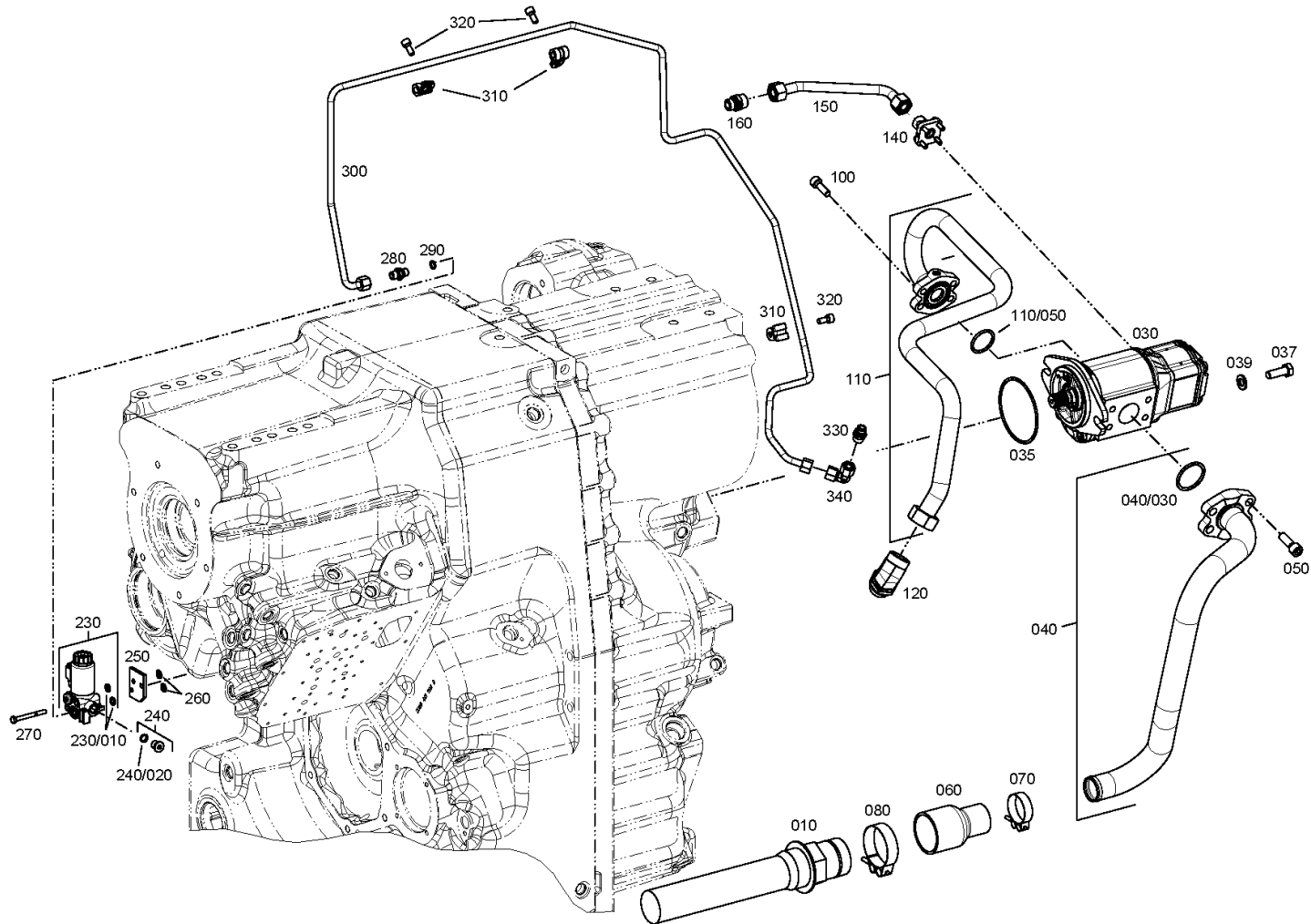
Material number: 2096.050.028

Picture: 209614701500

Material-assembly-group-no: 2096.147.015



ECCOM 5.0 /
OIL SUPPLY



Picture

Page 1 from 2

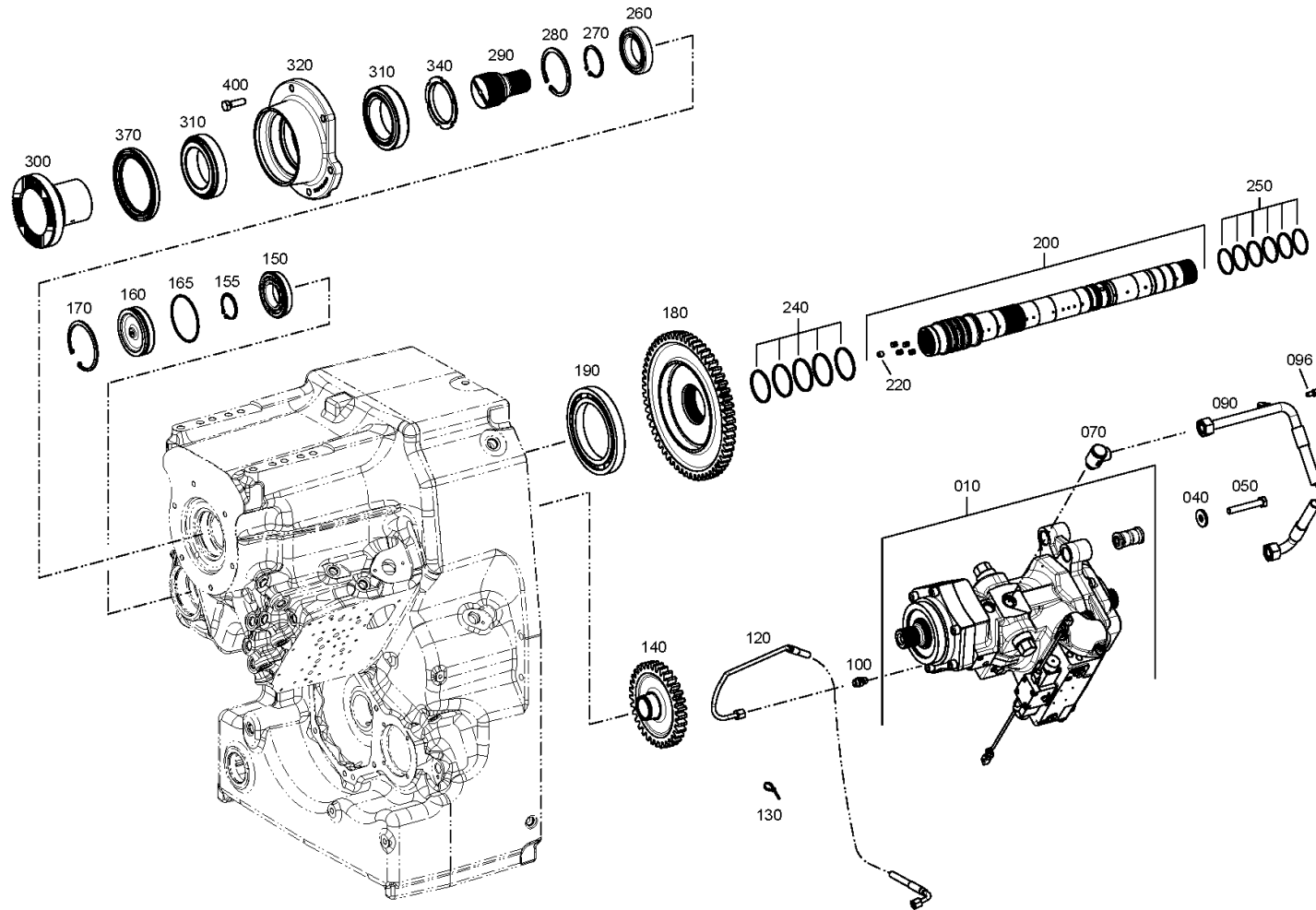
Material number: 2096.050.028

Picture: 209610203200

Material-assembly-group-no: 2096.102.032



ECCOM 5.0 /
INPUT



Picture

Page 2 from 2

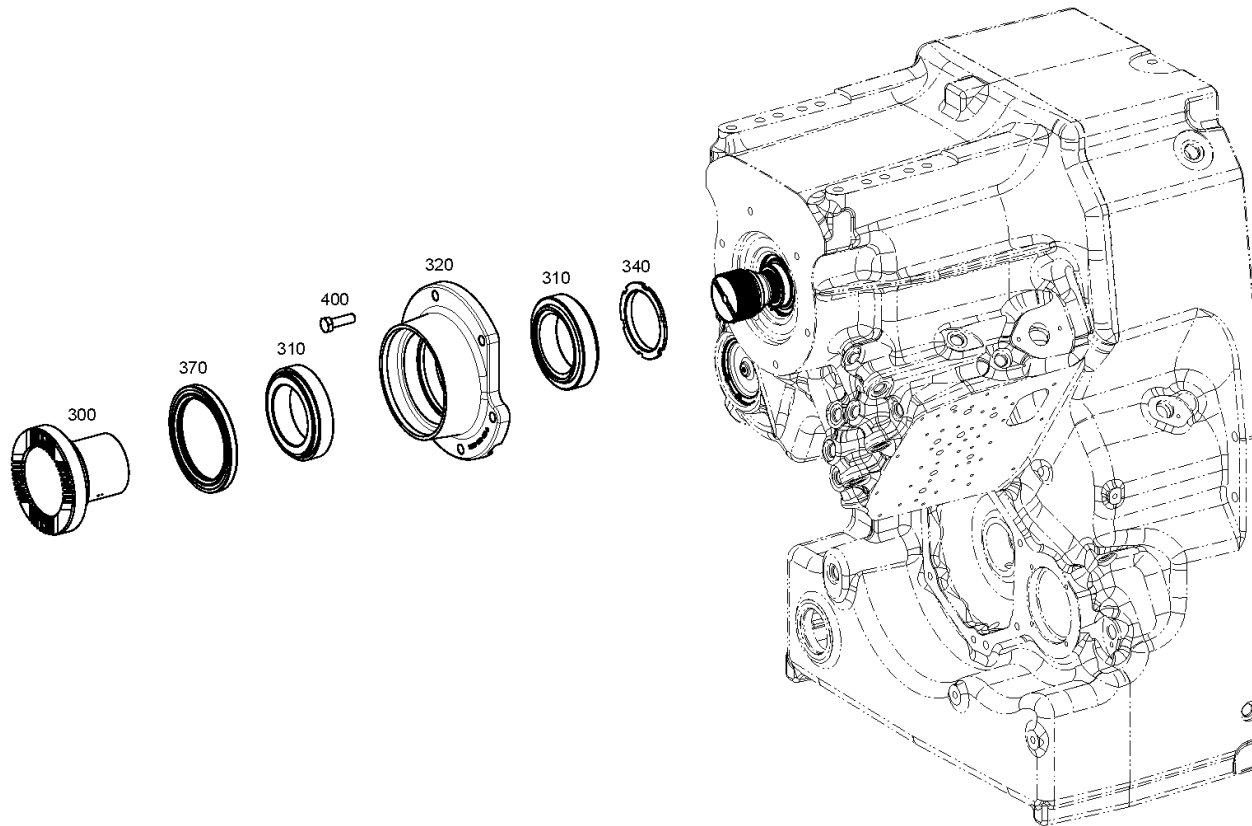
Material number: 2096.050.028

Picture: 209610203280

Material-assembly-group-no: 2096.102.032



ECCOM 5.0 /
INPUT



Picture

Page 1 from 1

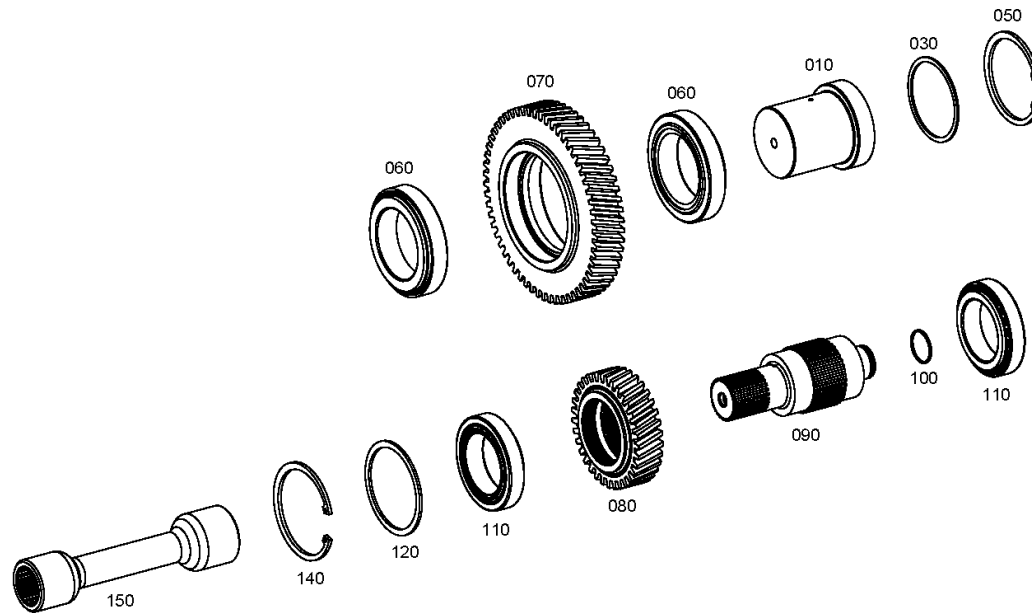
Material number: 2096.050.028

Picture: 209615901100

Material-assembly-group-no: 2096.159.011



ECCOM 5.0 /
INPUT



Picture

Page 1 from 1

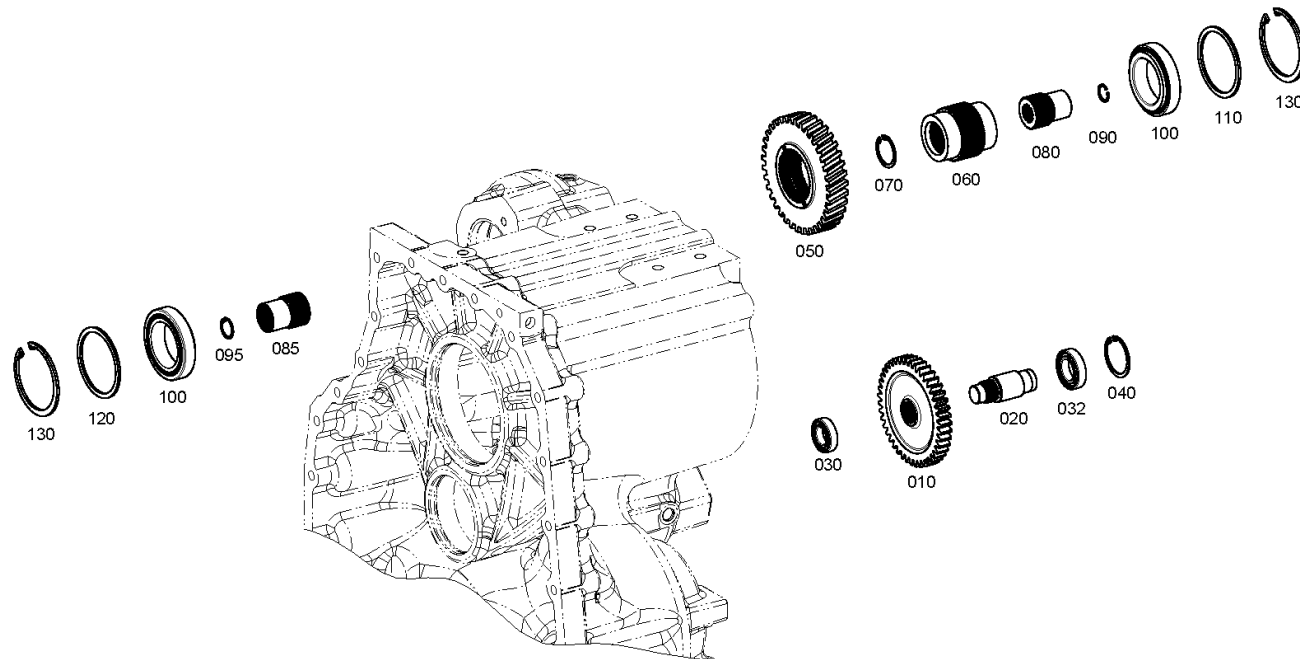
Material number: 2096.050.028

Picture: 209612201100

Material-assembly-group-no: 2096.122.011



ECCOM 5.0 /
PUMP DRIVE



Picture

Page 1 from 1

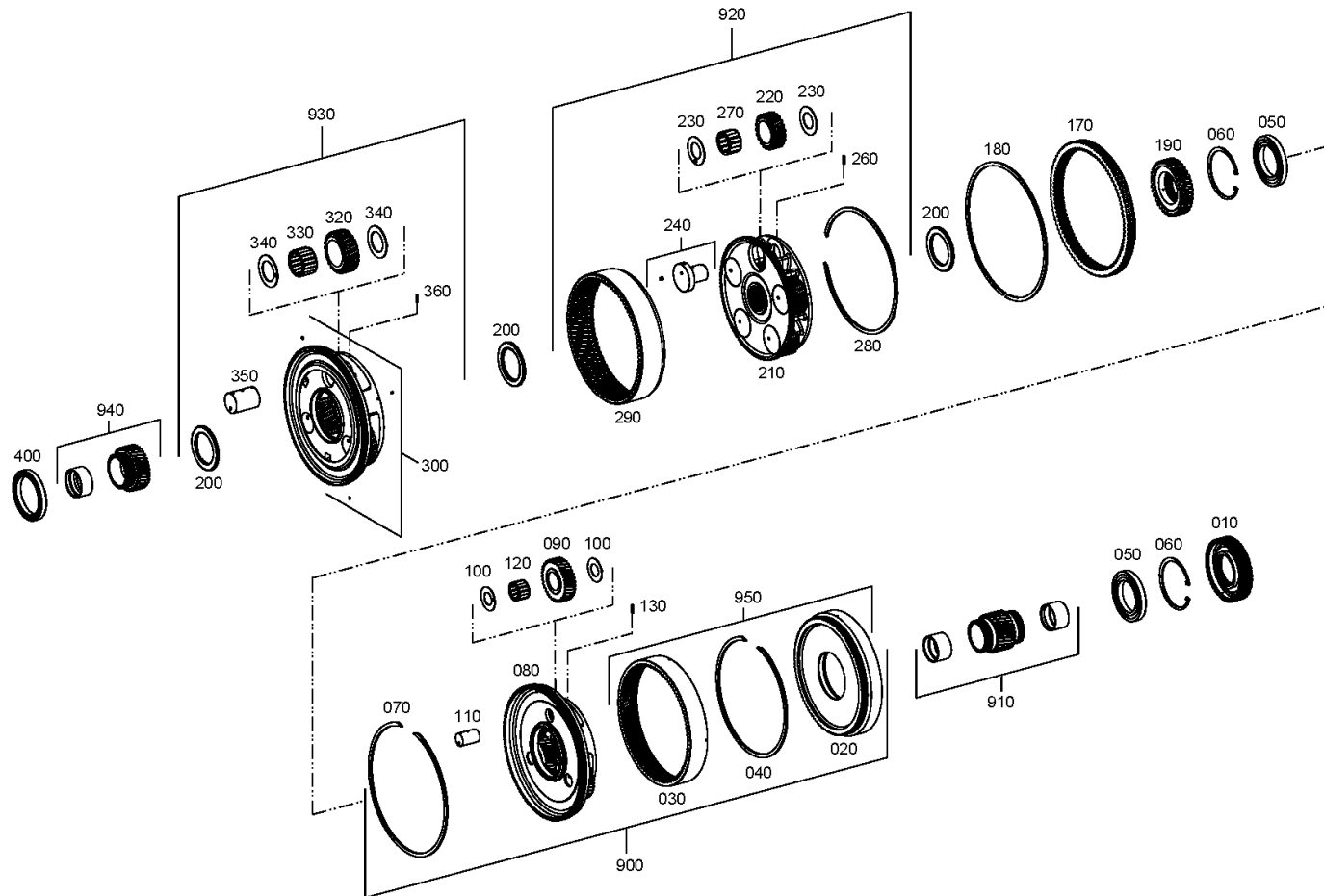
Material number: 2096.050.028

Picture: 209616001100

Material-assembly-group-no: 2096.160.011



ECCOM 5.0 /
PLANETARY DRIVE



Picture

Page 1 from 1

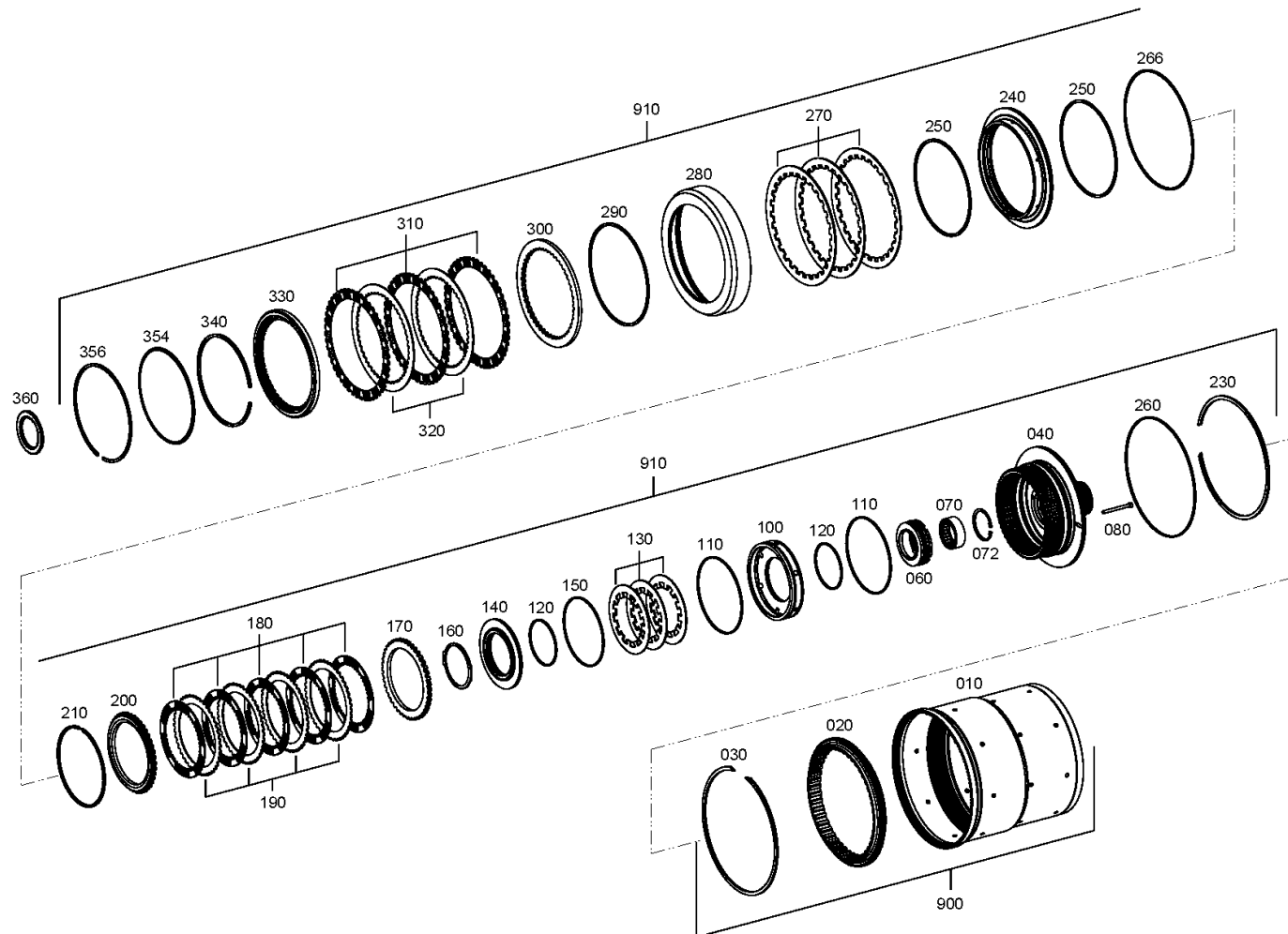
Material number: 2096.050.028

Picture: 209616100700

Material-assembly-group-no: 2096.161.007



ECCOM 5.0 /
COUPLING



Picture

Page 1 from 1

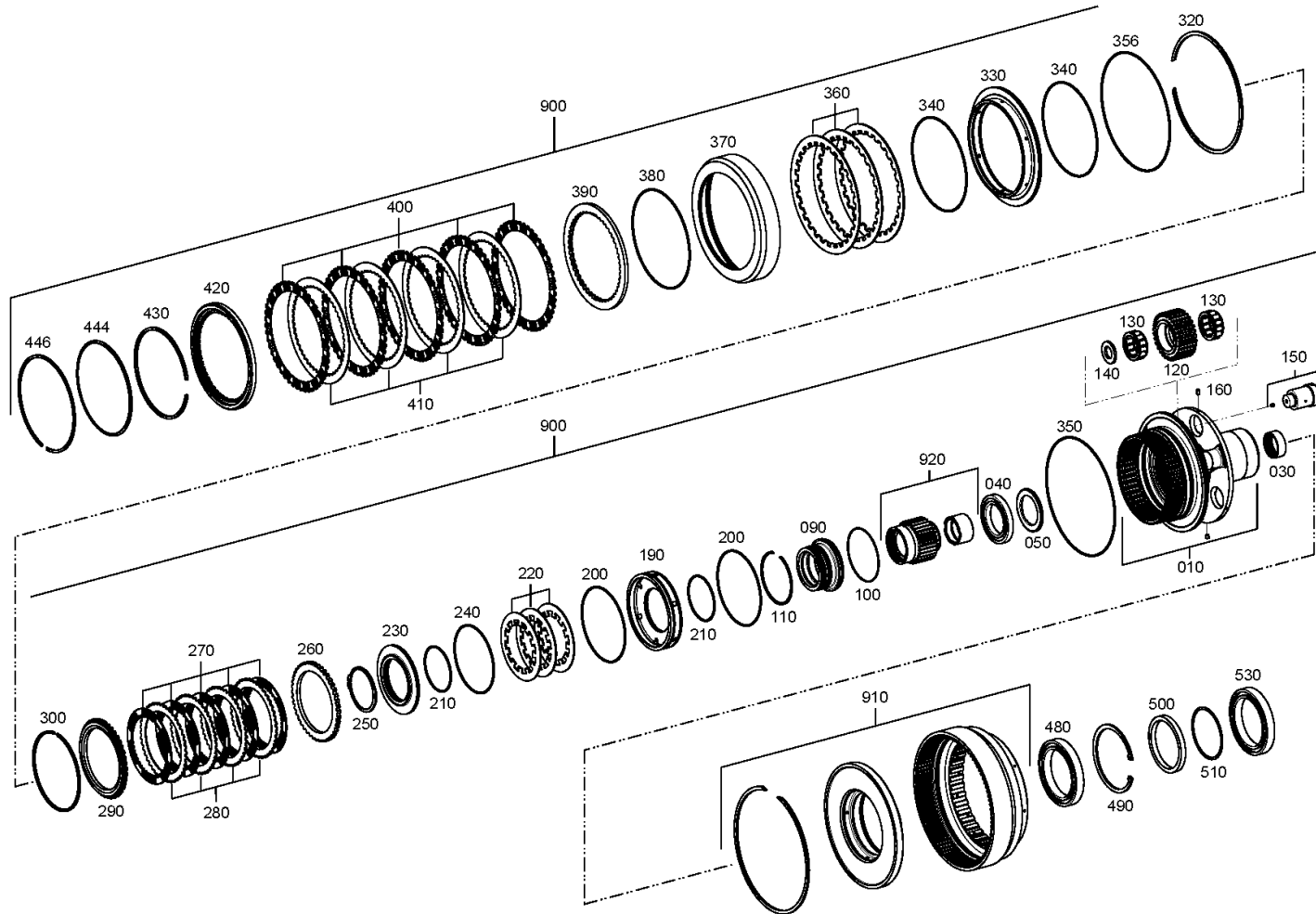
Material number: 2096.050.028

Picture: 20961710100

Material-assembly-group-no: 2096.171.010



ECCOM 5.0 /
PLANETARY DRIVE



Picture

Page 1 from 1

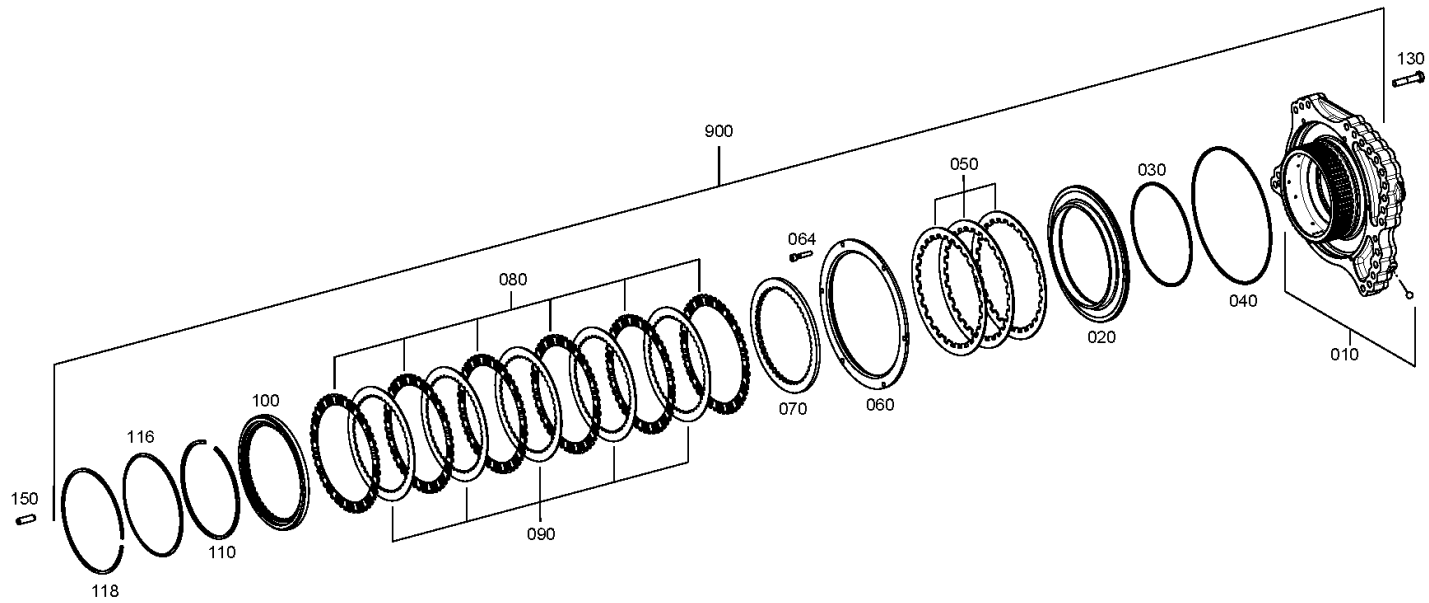
Material number: 2096.050.028

Picture: 209616300400

Material-assembly-group-no: 2096.163.004



ECCOM 5.0 /
BRAKE



Picture

Page 1 from 1

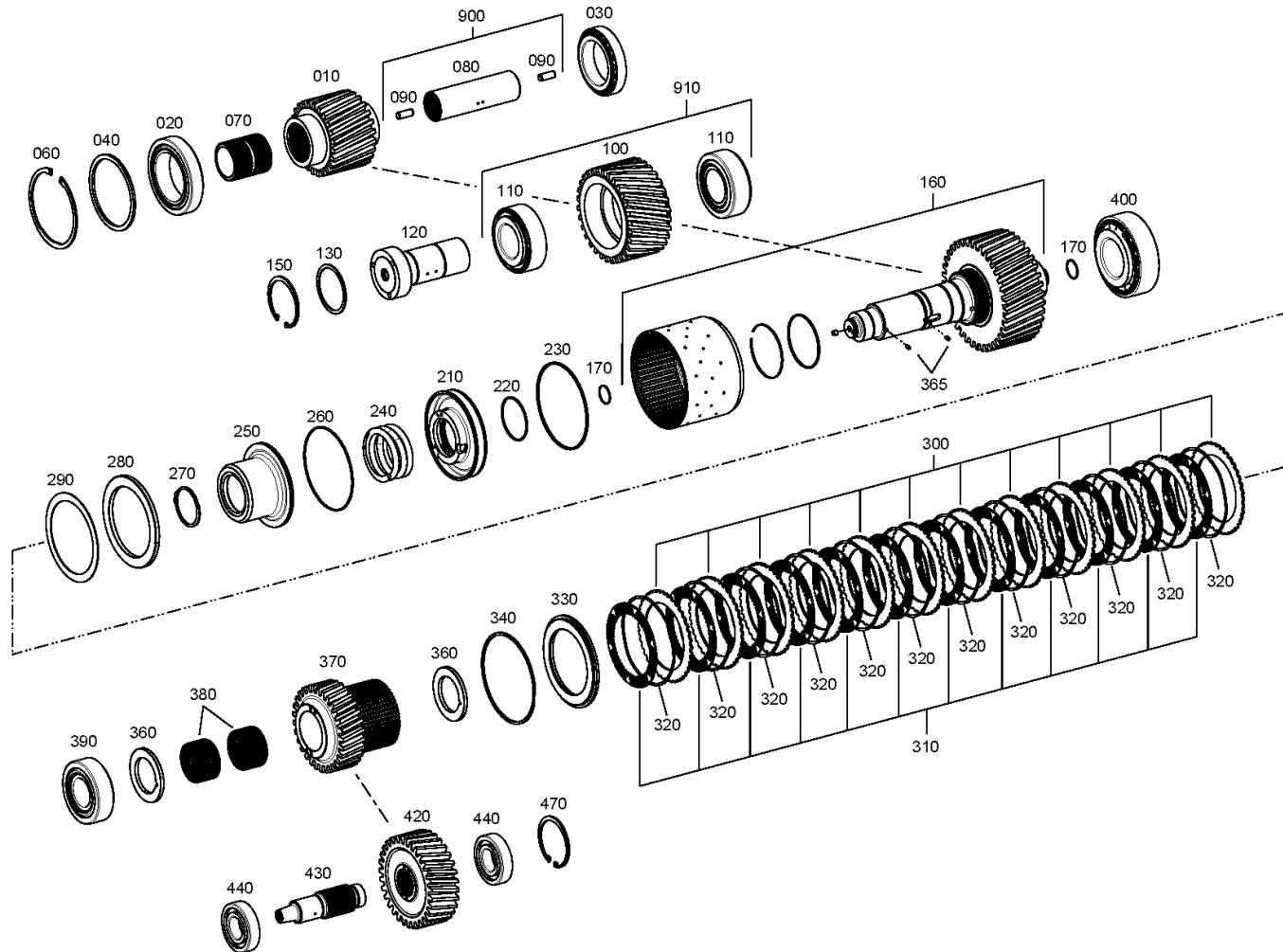
Material number: 2096.050.028

Picture: 209616402400

Material-assembly-group-no: 2096.164.024



ECCOM 5.0 /
COUPLING



Picture

Page 1 from 1

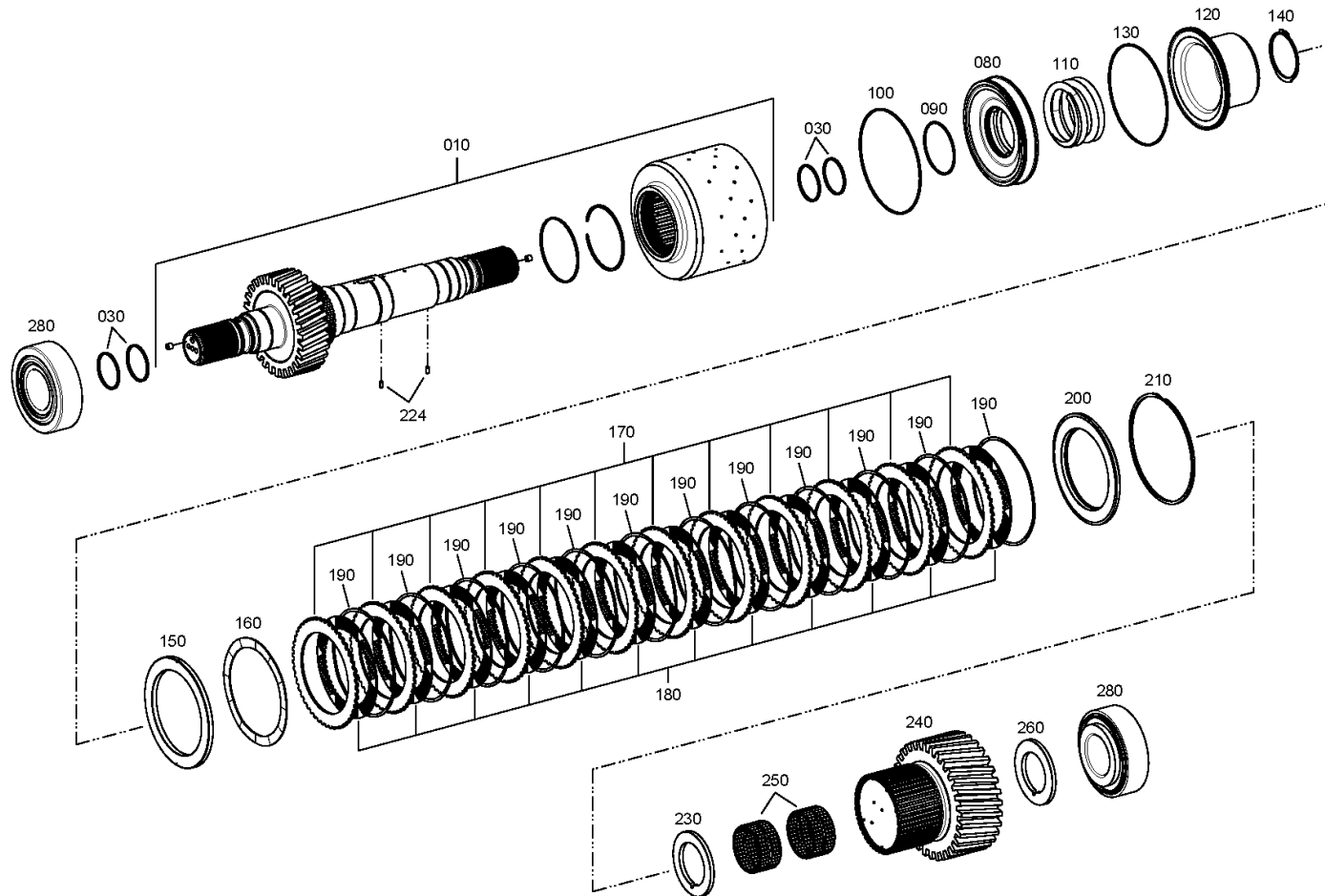
Material number: 2096.050.028

Picture: 209616201100

Material-assembly-group-no: 2096.162.011



ECCOM 5.0 /
COUPLING



Picture

Page 1 from 2

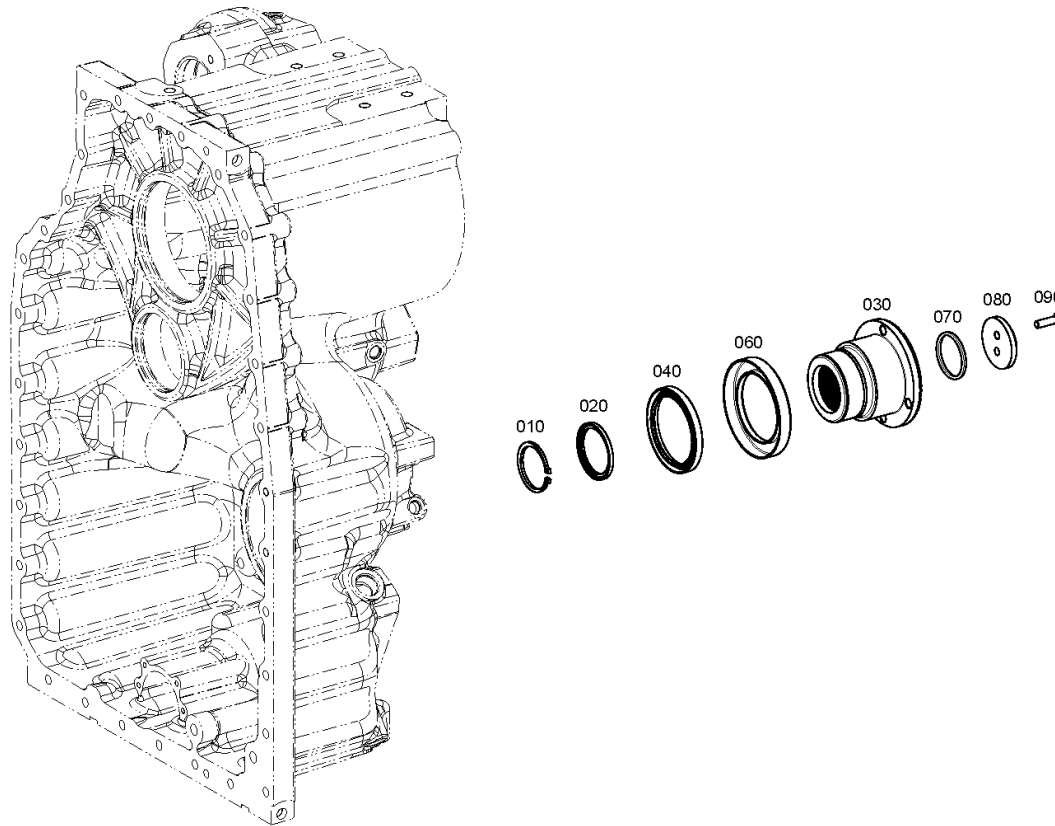
Material number: 2096.050.028

Picture: 209617401600

Material-assembly-group-no: 2096.174.016



ECCOM 5.0 /
OUTPUT



Picture

Page 2 from 2

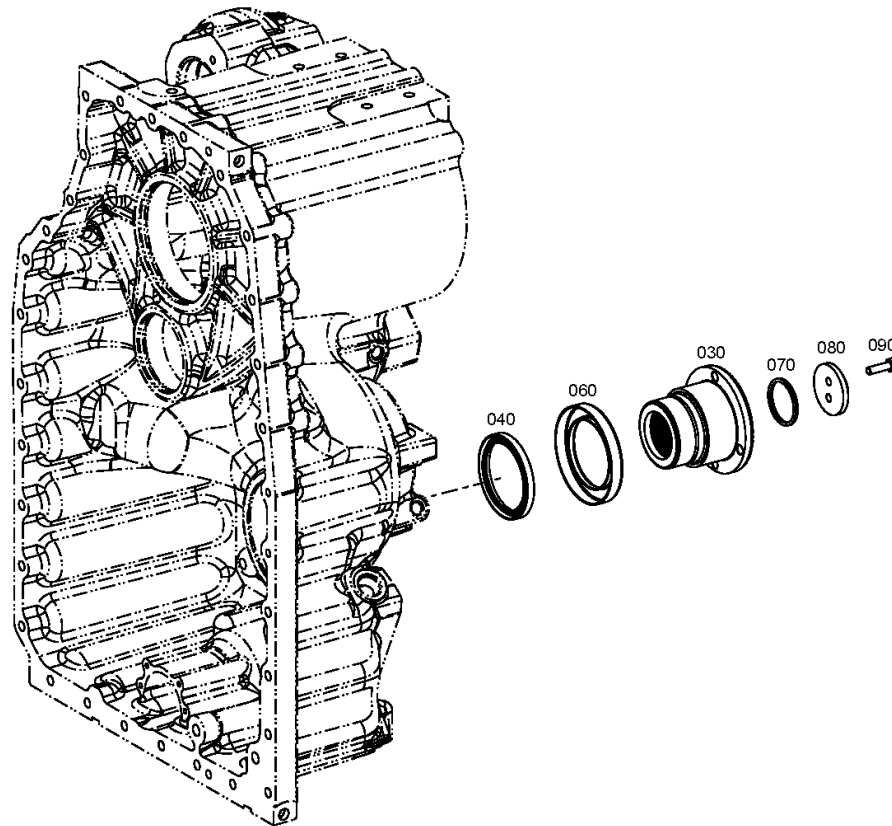
Material number: 2096.050.028

Picture: 209617401681

Material-assembly-group-no: 2096.174.016



ECCOM 5.0 /
OUTPUT



Picture

Page 1 from 2

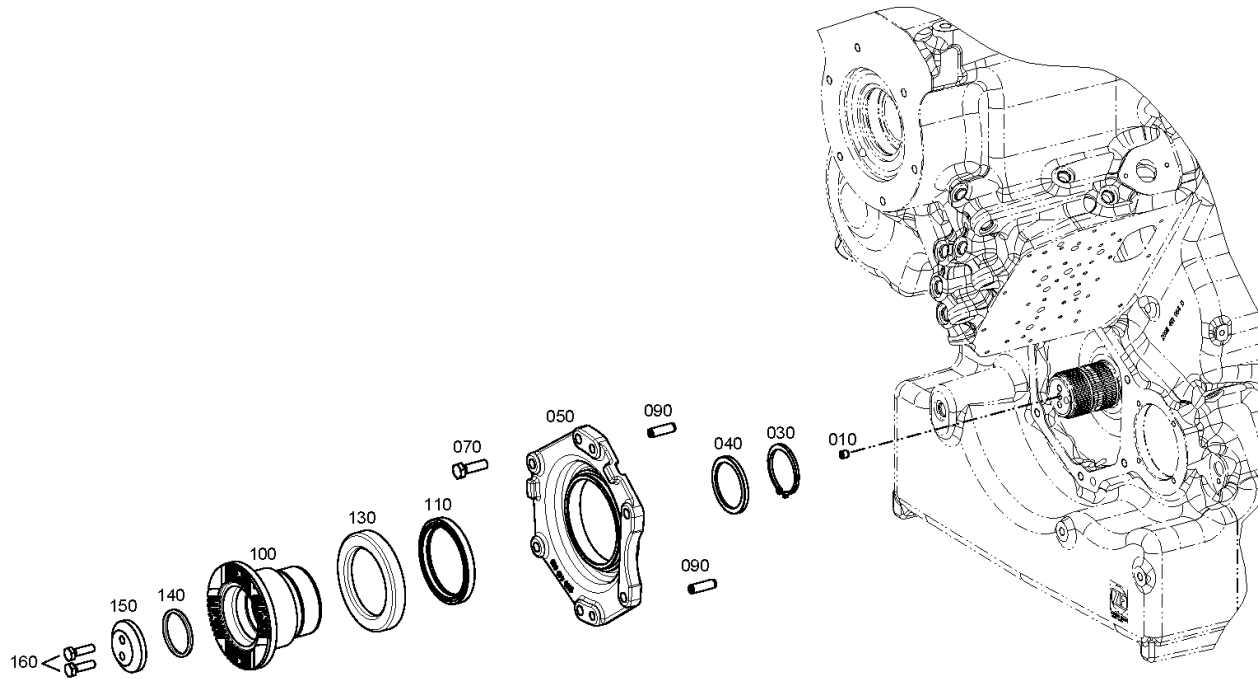
Material number: 2096.050.028

Picture: 209614600300

Material-assembly-group-no: 2096.146.003



ECCOM 5.0 /
FRONT WH.DRIVE



Picture

Page 2 from 2

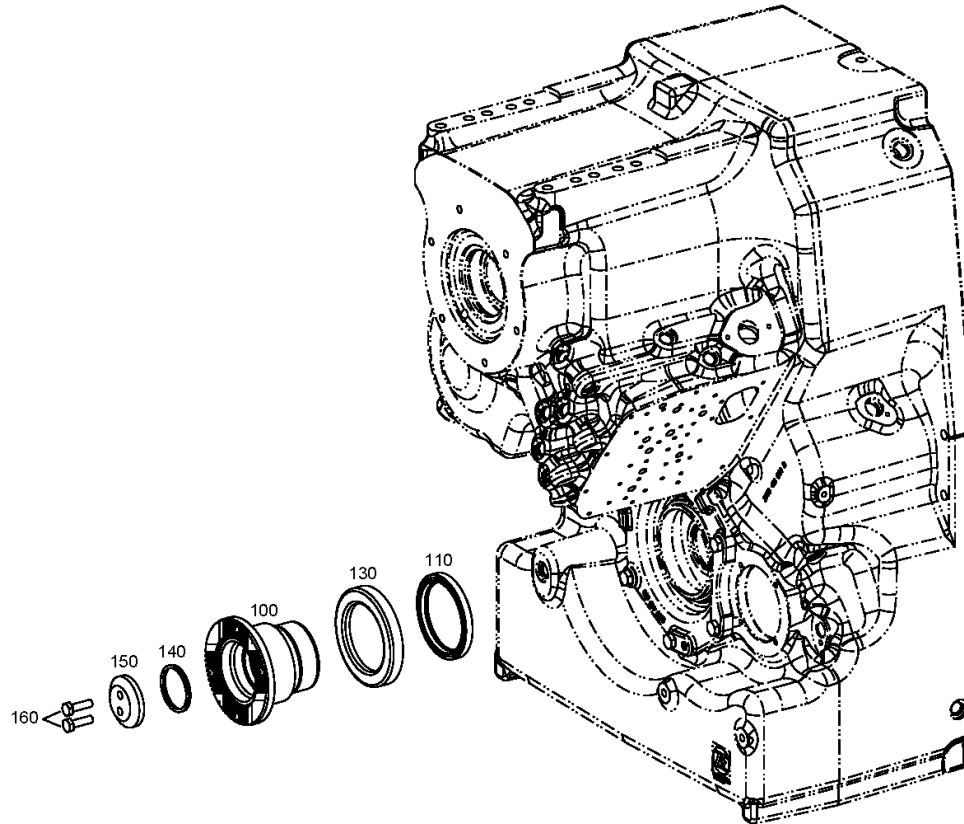
Material number: 2096.050.028

Picture: 209614600381

Material-assembly-group-no: 2096.146.003



ECCOM 5.0 /
FRONT WH.DRIVE



Picture

Page 1 from 1

Material number: 2096.050.028

Picture: 209611001900

Material-assembly-group-no: 2096.110.019



ECCOM 5.0 /
P.T.O. SHAFT

