



Spare Parts Catalog

TMG 32

Material number: 2099.040.016

Current date: 22.08.2022

ZF Friedrichshafen AG
Hauptverwaltung
80038 Friedrichshafen
Deutschland

Telefon: +49 7541 77-0

Telefax: +49 7541 77-908000

www.zf.com

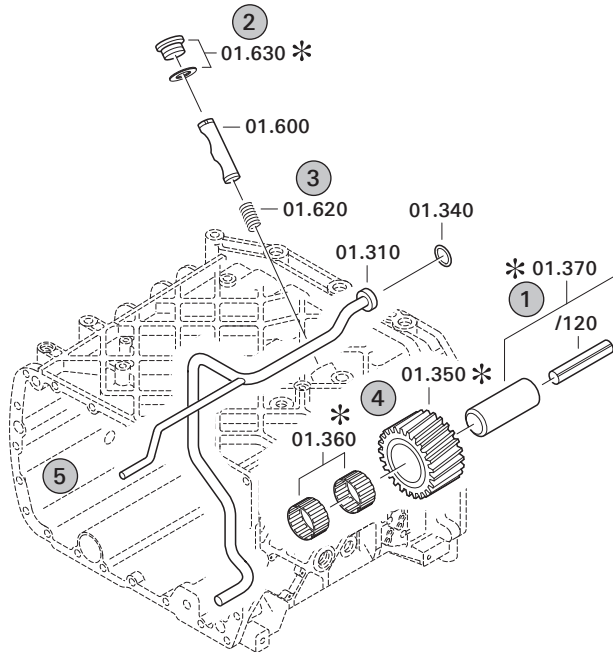
zuständiges Werk:
Passau

Notes relating to the spare parts catalog

Setup of the spare parts catalog

- Cover sheet
- Technical Cover (only in SDM print)
- Overview of figures
- Figure
- Associated parts list
- Next figure
- Associated parts list
- ...

Figure and parts list



Overview of figures

Bildtafel Figure	Sachnummer Product number	Benennung (Description)	Technische Info Technical info	Description (Benennung)	Menge Quantity	Einheit Unit
068.08.17	1316.170.001	AUSLEGER	WL	SHIFT TURRET	1	Stk
068.08.06	1316.170.031	DECKEL	WL*H-H *VM	COVER	1	Stk
068.08.14	1316.170.808	DECKEL	WL*AUSL+GEH*H-H*HF160N	COVER	1	Stk
08	1316.170.441	ANSCHLUSSTEILE	WL*NG-VORB*RG-SCHL*168N *BAJONETT	CONNECTING PARTS	1	Stk

The "gap" indicates that there is no separate graphics panel (poster) for this assembly
The parts of this assembly are shown with the same mid-section number on the figure

1 Positions and subpositions

Pos.	Sachnummer Product number	Benennung (Description)	Technische Info Technical info	Description (Benennung)	Menge Quantity	Einheit Unit
0370	1315.201.054	RUECKLAUFBOLZEN	KPL.16S151*SG*L= 79	REV.IDLER SHAFT	1	Stk
/0120	0631.329.293	SPANNSTIFT		SLOT. PIN	1	Stk

Positions marked with "/" are the individual items of a completion
For example: Position 0370 contains a centering pin with the position /0120

2 Combinations with standardized parts

Pos.	Sachnummer Product number	Benennung (Description)	Technische Info Technical info	Description (Benennung)	Menge Quantity	Einheit Unit
0630		VERSCHL.SCHR.		SCREW PLUG	1	Stk
	0636.302.067	VERSCHL.SCHR.		SCREW PLUG	1	Stk
	0634.801.249	DICHTRING	A 26 X 31	SEALING RING	1	Stk

The parts list shows the components included in the combination of standardized parts

3 Depiction of position/item number on the figure and in the parts list

01.620 - on the figure 01 relates to the assembly in which the position is included. Due to program-related reasons, it is shown on the figure.

0620 - in the parts list

Pos.	Sachnummer Product number	Benennung (Description)	Technische Info Technical info	Description (Benennung)	Menge Quantity	Einheit Unit
0620	0732.040.736	DRUCKFEDER		COMPRESSION SPRING	1	Stk

4 *-Positions

Positions marked with an * are optional i.e. inclusion in the parts list is not mandatory.
The following note is shown on the figure

je nach Stücklistenausführung
depending on spec. number
*
suivant la nomenclature
secondo la distinta base

5 Parts, dotted display

Parts with dotted display on the figure are only used for orientation of other parts

Assembly group overview

Page 1 from 2

Material number: 2099.040.016



TMG 32 /

Picture	Pos.	Material number	Name	Quantity	Amend. no.	Techn. Info.
	10	2096.252.002	HYDRAUL.CONTROL	1		
	10	2099.207.006	HYDRAUL.CONTROL	1		
	10	2099.269.002	HOUSING COVER	1		
	830	0501.232.671	VALVE BLOCK	1		
2099101070 01	10	2099.101.070	HOUSING	1		
2099102086 00	20	2099.102.086	INPUT	1		
2099107081 00	30	2099.107.081	HYDRAUL.CONTROL	1		
2099149014 00	40	2099.149.014	INPUT SHAFT	1		
2096152002 00	50	2096.152.002	HYDRAUL.CONTROL	1		
2099159010 00	60	2099.159.010	INPUT	1		
2092160079 00	70	2092.160.079	PLANETARY DRIVE	1		
2099161003 00	80	2099.161.003	COUPLING	1		
2099162020 00	90	2099.162.020	COUPLING	1		
2099163008 00	100	2099.163.008	BRAKE	1		
2099169018 00	110	2099.169.018	PLUG-IN MODULE	1		
2092171084 00	120	2092.171.084	PLANETARY DRIVE	1		
2099122003 00	130	2099.122.003	PUMP DRIVE	1		
2099174004 00	140	2099.174.004	OUTPUT	1		

Assembly group overview

Page 2 from 2

Material number: 2099.040.016



TMG 32 /

Picture	Pos.	Material number	Name	Quantity	Amend. no.	Techn. Info.
209914607200	150	2099.146.072	FRONT WHEEL DRIVE	1		
209914700700	160	2099.147.007	OIL SUPPLY	1		

Parts list

Page 1 from 2

Material number: 2099.040.016

Material-assembly-group-no: 2096.252.002



TMG 32 /

	Pos.	Material number	Customer material	Name	Quantity	ME	Amend. no.	Techn. Info.	Rep kit	Alternative material
🛒	20	2092.352.049		VALVE BLOCK	1					
🛒	30	2093.352.036		PISTON	1					
🛒	40	0732.042.407		COMPRESSION SPRING	1					
🛒	50	0501.313.374		SOLENOID VALVE	1					
🛒	60	1043.326.045		FIXING PLATE	1					
🛒	70	2093.352.036		PISTON	1					
🛒	80	0732.042.407		COMPRESSION SPRING	1					
🛒	90	0501.313.374		SOLENOID VALVE	1					
🛒	100	1043.326.045		FIXING PLATE	1					
🛒	110	2093.352.036		PISTON	1					
🛒	120	0732.042.407		COMPRESSION SPRING	1					
🛒	130	0501.313.374		SOLENOID VALVE	1					
🛒	140	1043.326.045		FIXING PLATE	1					
🛒	150	2093.352.036		PISTON	1					
🛒	160	0732.042.407		COMPRESSION SPRING	1					
🛒	170	0501.313.374		SOLENOID VALVE	1					
🛒	180	1043.326.045		FIXING PLATE	1					
🛒	190	2093.352.036		PISTON	1					
🛒	200	0732.042.407		COMPRESSION SPRING	1					
🛒	210	0501.313.374		SOLENOID VALVE	1					
🛒	220	1043.326.045		FIXING PLATE	1					
🛒	230	0636.101.107		CAP SCREW	5			M5X10		
🛒	240	2096.352.038		PISTON	1					
🛒	250	0732.042.538		COMPRESSION SPRING	1					
🛒	260	2096.352.038		PISTON	1					
🛒	270	0732.042.538		COMPRESSION SPRING	1					
🛒	280	4656.306.013		PISTON	1					
🛒	290	0732.042.539		COMPRESSION SPRING	1					
🛒	300	4656.306.013		PISTON	1					
🛒	310	0732.042.539		COMPRESSION SPRING	1					
🛒	320	2092.352.013		CONTROL PISTON	1					
🛒	330	0732.042.294		COMPRESSION SPRING	1					
🛒	340	---		WASHER	1					
🛒	---	0730.008.418		WASHER	1			A=1,000		

Parts list

Page 2 from 2

Material number: 2099.040.016

Material-assembly-group-no: 2096.252.002



TMG 32 /

	Pos.	Material number	Customer material	Name	Quantity	ME	Amend. no.	Techn. Info.	Rep kit	Alternative material
🛒	---	0730.010.749		WASHER	1			A=1,100		
🛒	---	0730.008.419		WASHER	1			A=1,200		
🛒	---	0730.009.191		WASHER	1			A=1,300		
🛒	---	0730.008.420		WASHER	1			A=1,400		
🛒	---	0730.009.192		WASHER	1			A=1,500		
🛒	---	0730.008.421		WASHER	1			A=1,600		
🛒	---	0730.009.193		WASHER	1			A=1,700		
🛒	---	0730.008.422		WASHER	1			A=1,800		
🛒	---	0730.009.194		WASHER	1			A=1,900		
🛒	---	0730.008.423		WASHER	1			A=2,000		
🛒	---	0730.009.195		WASHER	1			A=2,100		
🛒	---	0730.008.424		WASHER	1			A=2,200		
🛒	---	0730.009.220		WASHER	1			A=2,300		
🛒	---	0730.008.425		WASHER	1			A=2,400		
🛒	---	0730.009.196		WASHER	1			A=2,500		
🛒	---	0730.008.426		WASHER	1			A=2,600		
🛒	350	0501.327.974		GASKET	1					
🛒	360	2092.352.036		HOUSING	1					
🛒	370	0636.101.322		CAP SCREW	2			M6X30		
🛒	375	0636.101.941		CAP SCREW	2			M5X30		
🛒	376	0630.001.010		WASHER	2					
🛒	380	0501.316.783		PRESSURE REGULATOR	1					
🛒	390	1043.326.045		FIXING PLATE	1					
🛒	400	0501.316.783		PRESSURE REGULATOR	1					
🛒	410	1043.326.045		FIXING PLATE	1					
🛒	430	0501.322.207		GASKET	1					
🛒	440	2092.352.051		DUCT PLATE	1					
🛒	450	0501.316.715		SCREEN	1					
🛒	460	0501.316.715		SCREEN	1					
🛒	470	0736.300.094		TORX SCREW	2			M6X15		

Parts list

Page 1 from 4

Material number: 2099.040.016

Material-assembly-group-no: 2099.207.006



TMG 32 /

	Pos.	Material number	Customer material	Name	Quantity	ME	Amend. no.	Techn. Info.	Rep kit	Alternative material
🛒	20	2092.307.113		VALVE BLOCK	1		Z00022658810			
🛒	30	0501.317.684		THERMOCOUPLE	1					
🛒	40	2092.307.038		PISTON	1					
🛒	50	0732.041.714		COMPRESSION SPRING	1					
🛒	60	4475.280.263		SCREW PLUG	1			M26X1,5		
🛒	/20	0634.303.233		O-RING	1			23X2		
🛒	70	2092.307.006		PISTON	1					
	80	---		SHIM	1					
🛒	---	0730.007.755		SHIM	1			h=0,500		
🛒	---	0730.002.219		SHIM	1			h=1,000		
🛒	---	0730.010.747		SHIM	1			h=1,250		
🛒	---	0730.007.756		SHIM	1			h=1,500		
🛒	---	0730.002.218		SHIM	1			h=2,000		
🛒	---	0730.010.748		SHIM	1			h=2,250		
🛒	---	0730.007.757		SHIM	1			h=2,500		
🛒	---	0730.002.217		SHIM	1			h=3,000		
🛒	---	0730.007.758		SHIM	1			h=3,500		
🛒	---	0730.007.759		SHIM	1			h=4,000		
🛒	---	0730.007.760		SHIM	1			h=4,500		
🛒	---	0730.007.761		SHIM	1			h=5,000		
🛒	---	0730.300.710		SHIM	1			h=5,500		
🛒	---	0730.300.711		SHIM	1			h=6,000		
🛒	90	0732.042.025		COMPRESSION SPRING	1					
🛒	100	4475.280.211		SCREW PLUG	1					
🛒	/20	0634.304.287		O-RING	1			19X2		
🛒	110	2092.307.040		PISTON	1					
	120	---		WASHER	1					
🛒	---	0730.009.818		WASHER	1			A=1,00		
🛒	---	0730.009.819		WASHER	1			A=1,25		
🛒	---	0730.009.820		WASHER	1			A=1,50		
🛒	---	0730.009.821		WASHER	1			A=1,75		
🛒	---	0730.009.822		WASHER	1			A=2,00		
🛒	130	0732.042.486		COMPRESSION SPRING	1					
🛒	140	2092.307.067		ADJUSTING SCREW	1			M10X1		

Parts list

Page 2 from 4

Material number: 2099.040.016

Material-assembly-group-no: 2099.207.006



TMG 32 /

	Pos.	Material number	Customer material	Name	Quantity	ME	Amend. no.	Techn. Info.	Rep kit	Alternative material
	150	0634.313.382		O-RING	1			13X2,5		
	160	0634.303.233		O-RING	1			23X2		
	170	0736.304.187		SCREW PLUG	1			M26X1,5		
	180	2092.307.047		PISTON	1					
	190	---		BUSH	1			h=0,5-11,0 (Abstufung 0,5 mm)		
	---	0730.304.283		BUSH	1			h=0,500		
	---	0730.304.284		BUSH	1			h=1,000		
	---	0730.304.285		BUSH	1			h=1,500		
	---	0730.304.302		BUSH	1			h=10,000		
	---	0730.304.303		BUSH	1			h=10,500		
	---	0730.304.304		BUSH	1			h=11,000		
	---	0730.304.286		BUSH	1			h=2,000		
	---	0730.304.287		BUSH	1			h=2,500		
	---	0730.304.288		BUSH	1			h=3,000		
	---	0730.304.289		BUSH	1			h=3,500		
	---	0730.304.290		BUSH	1			h=4,000		
	---	0730.304.291		BUSH	1			h=4,500		
	---	0730.304.292		BUSH	1			h=5,000		
	---	0730.304.293		BUSH	1			h=5,500		
	---	0730.304.294		BUSH	1			h=6,000		
	---	0730.304.295		BUSH	1			h=6,500		
	---	0730.304.296		BUSH	1			h=7,000		
	---	0730.304.297		BUSH	1			h=7,500		
	---	0730.304.298		BUSH	1			h=8,000		
	---	0730.304.299		BUSH	1			h=8,500		
	---	0730.304.300		BUSH	1			h=9,000		
	---	0730.304.301		BUSH	1			h=9,500		
	200	0732.041.259		COMPRESSION SPRING	1					
	210	0732.300.120		COMPRESSION SPRING	1					
	220	4475.280.264		SCREW PLUG	1			M18X1,5		
	/20	0634.306.524		O-RING	1			15X2		
	240	2092.307.104		PISTON	1					
	250	---		SHIM	1					
	---	0730.302.157		WASHER	1			h=1,00		

Parts list

Page 3 from 4

Material number: 2099.040.016

Material-assembly-group-no: 2099.207.006



TMG 32 /

	Pos.	Material number	Customer material	Name	Quantity	ME	Amend. no.	Techn. Info.	Rep kit	Alternative material
	---	0730.302.156		WASHER	1			h=1,20		
	---	0730.302.155		WASHER	1			h=1,40		
	---	0730.302.154		WASHER	1			h=1,60		
	---	0730.006.837		WASHER	1			h=1,80		
	---	0730.004.627		WASHER	1			h=2,00		
	---	0730.006.838		WASHER	1			h=2,20		
	---	0730.006.839		WASHER	1			h=2,40		
	---	0730.006.840		WASHER	1			h=2,60		
	---	0730.006.841		WASHER	1			h=2,80		
	---	0730.006.842		WASHER	1			h=3,00		
	---	0730.006.843		WASHER	1			h=3,20		
	---	0730.006.847		WASHER	1			h=4,00		
	---	0730.006.848		WASHER	1			h=4,50		
	---	0730.006.849		WASHER	1			h=5,00		
	260	0732.300.046		COMPRESSION SPRING	1					
	270	4475.280.211		SCREW PLUG	1					
	/20	0634.304.287		O-RING	1			19X2		
	280	2092.307.025		PISTON	1					
	290	---		WASHER	1					
	---	0730.010.934		WASHER	1			A=0,50		
	---	0730.010.933		WASHER	1			A=0,60		
	---	0730.009.800		WASHER	1			A=0,70		
	---	0730.009.801		WASHER	1			A=0,80		
	---	0730.009.802		WASHER	1			A=0,90		
	---	0730.009.803		WASHER	1			A=1,00		
	---	0730.009.804		WASHER	1			A=1,10		
	---	0730.009.805		WASHER	1			A=1,20		
	---	0730.009.806		WASHER	1			A=1,30		
	---	0730.009.810		WASHER	1			A=2,60		
	---	0730.009.811		WASHER	1			A=2,70		
	---	0730.009.812		WASHER	1			A=2,80		
	---	0730.009.813		WASHER	1			A=2,90		
	---	0730.009.814		WASHER	1			A=3,00		
	---	0730.009.815		WASHER	1			A=3,10		

Parts list

Page 4 from 4

Material number: 2099.040.016

Material-assembly-group-no: 2099.207.006



TMG 32 /

	Pos.	Material number	Customer material	Name	Quantity	ME	Amend. no.	Techn. Info.	Rep kit	Alternative material
	---	0730.009.816		WASHER	1			A=3,20		
	300	0732.042.278		COMPRESSION SPRING	1					
	310	4475.280.262		SCREW PLUG	1			M20X1,5		
	/20	0634.306.198		O-RING	1			17X2		
	320	4475.280.012		SCREW PLUG	1			M14X1,5 KPL.MIT O-RING		
	/20	0634.306.522		O-RING	1			11X2		
	330	4475.280.012		SCREW PLUG	1			M14X1,5 KPL.MIT O-RING		
	/20	0634.306.522		O-RING	1			11X2		
	340	4475.280.258		SCREW PLUG	2			M27X2		
	/20	0634.303.251		O-RING	1			24X2,5		

Parts list

Page 1 from 1

Material number: 2099.040.016

Material-assembly-group-no: 2099.269.002



TMG 32 /

	Pos.	Material number	Customer material	Name	Quantity	ME	Amend. no.	Techn. Info.	Rep kit	Alternative material
	20	0501.215.107		FILTER	1					
	30	0634.304.929		O-RING	1			37,6X2,4		
	40	4475.280.011		SCREW PLUG	2			M18X1,5 KPL.MIT O-RING		
	/20	0634.306.524		O-RING	1			15X2		
	50	2099.369.017		SCREW PLUG	1			M26X1.5		
	60	0634.306.194		O-RING	1			16X3		
	70	0634.303.233		O-RING	1			23X2		

Parts list

Page 1 from 1

Material number: 2099.040.016

Material-assembly-group-no: 0501.232.671



TMG 32 /

	Pos.	Material number	Customer material	Name	Quantity	ME	Amend. no.	Techn. Info.	Rep kit	Alternative material
🛒	10	0501.325.280		SOLENOID VALVE	1					
🛒	/10	0501.327.379		O-RING	1			11,2X1,8/27310111016384		
🛒	/20	0501.327.378		O-RING	1			12,4X1,78/273111017012		
🛒	/30	0501.327.380		O-RING	1			14X1,78/273111014178		
🛒	/40	0501.327.381		SCREW	1			M8X16/309543008016		

Picture

Page 1 from 3

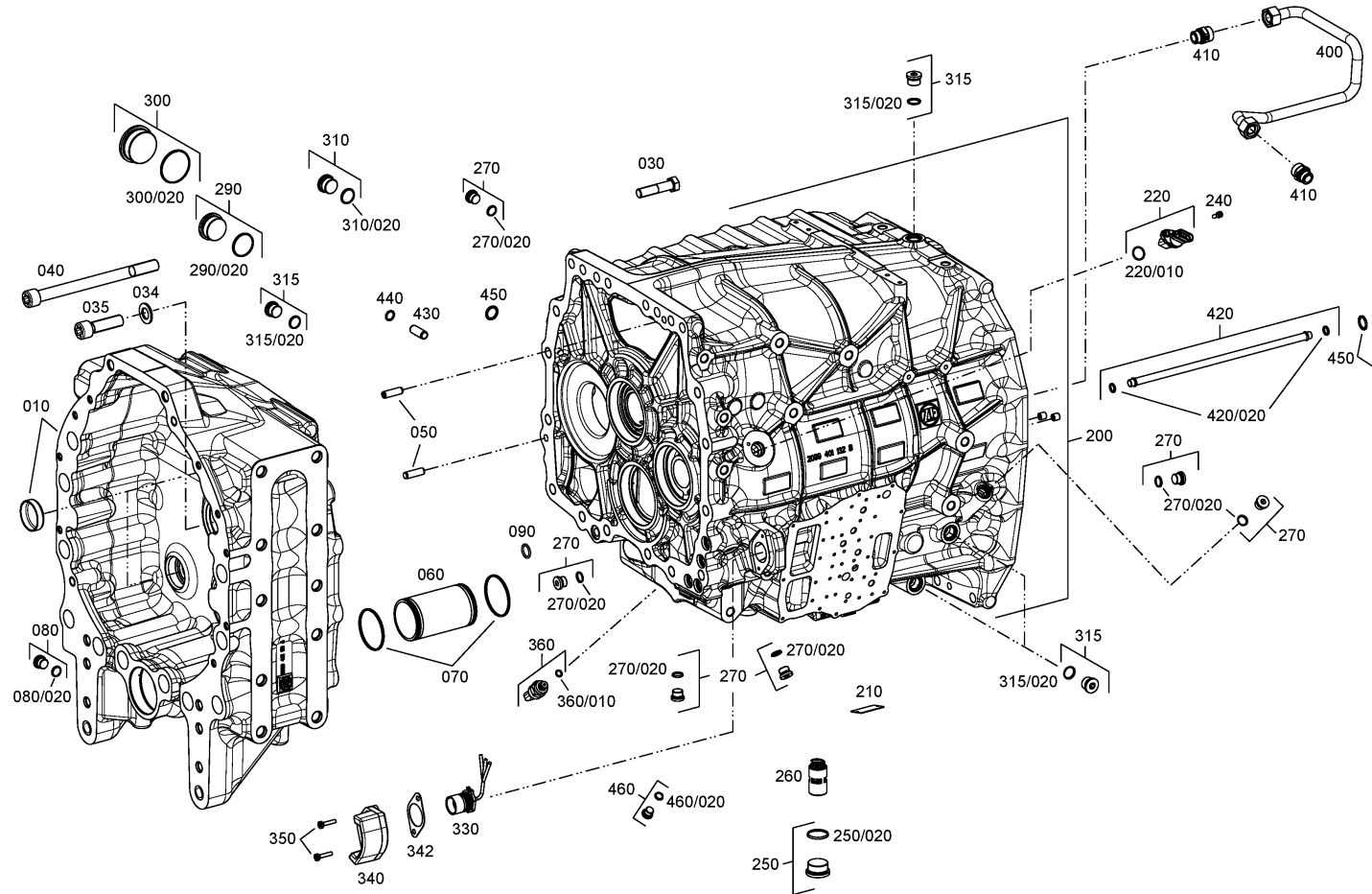
Material number: 2099.040.016

Picture: 209910107001

Material-assembly-group-no: 2099.101.070



TMG 32 /
HOUSING



Picture

Page 2 from 3

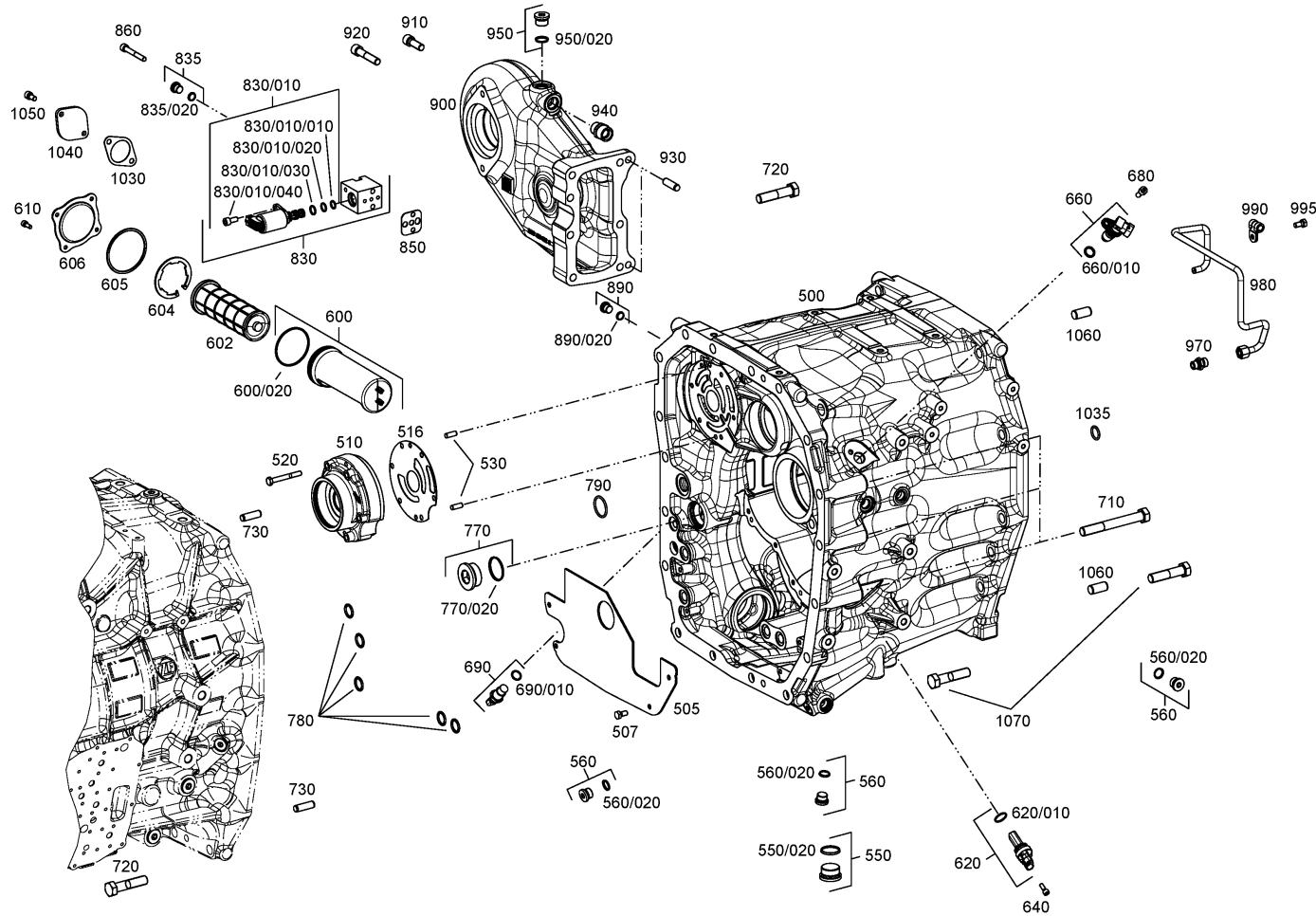
Material number: 2099.040.016

Picture: 209910107002

Material-assembly-group-no: 2099.101.070



TMG 32 /
HOUSING



Picture

Page 1 from 1

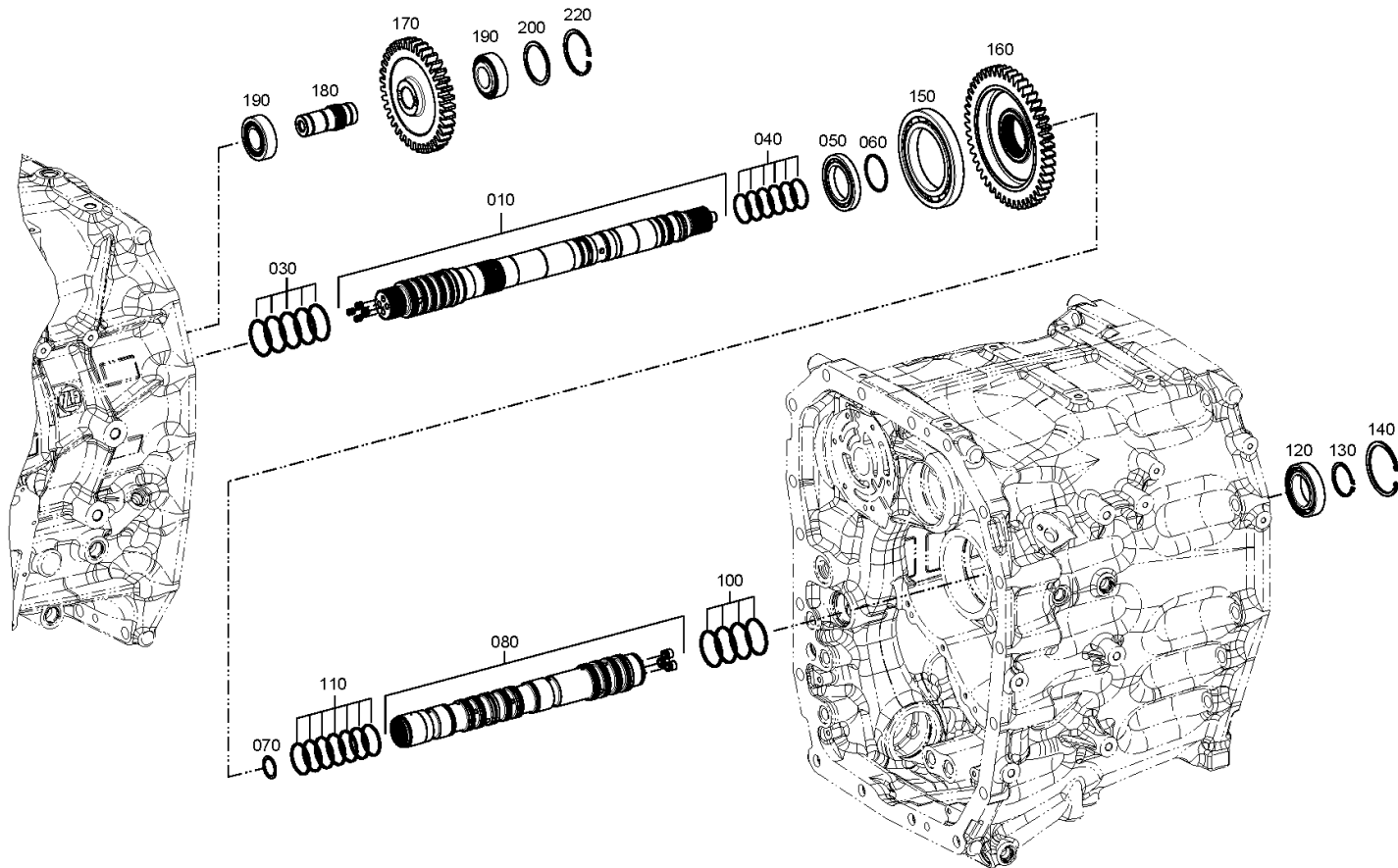
Material number: 2099.040.016

Picture: 209910208600

Material-assembly-group-no: 2099.102.086



TMG 32 /
INPUT



Picture

Page 2 from 2

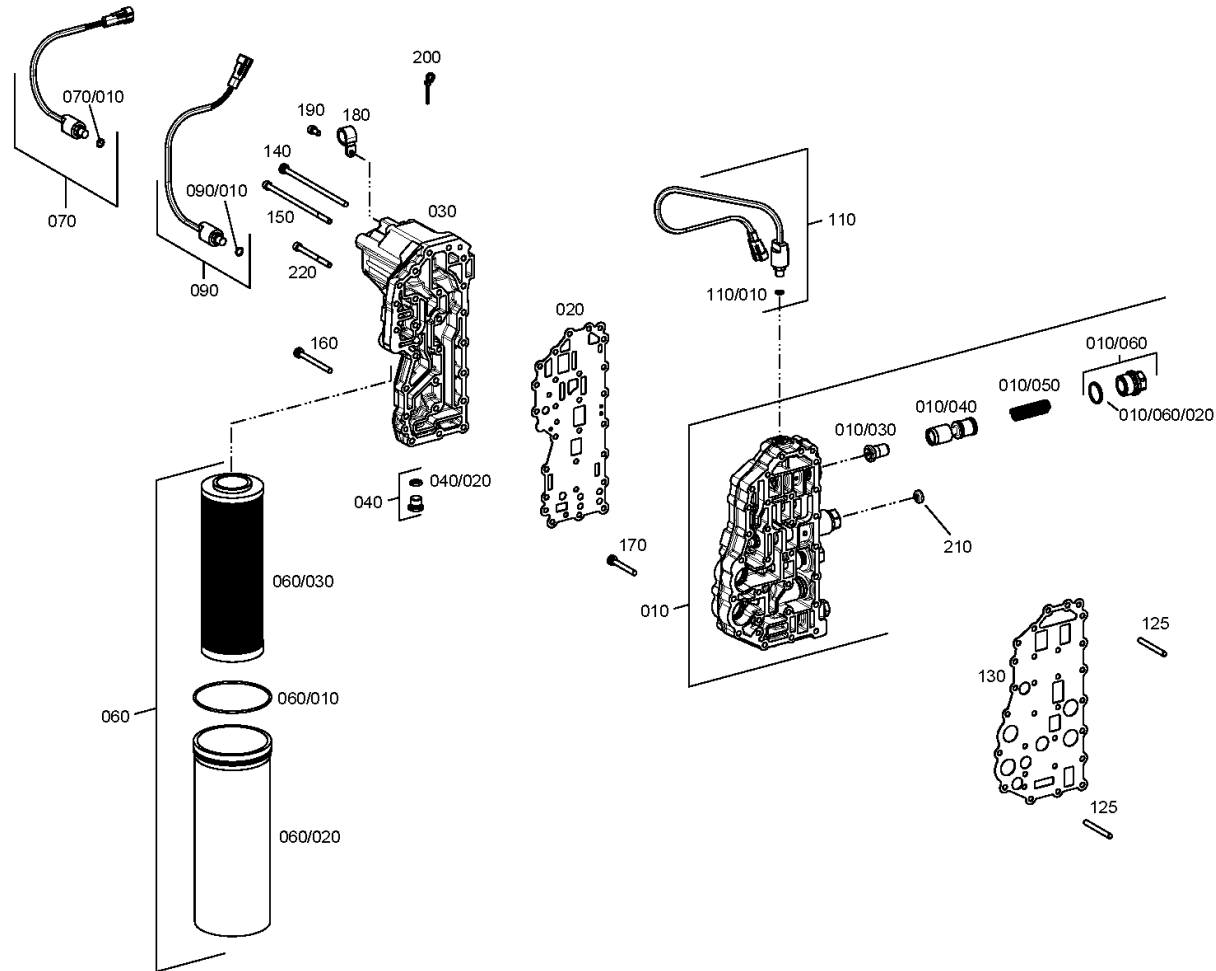
Material number: 2099.040.016

Picture: 209910708180

Material-assembly-group-no: 2099.107.081



TMG 32 /
HYDRAUL.CONTROL



Picture

Page 1 from 2

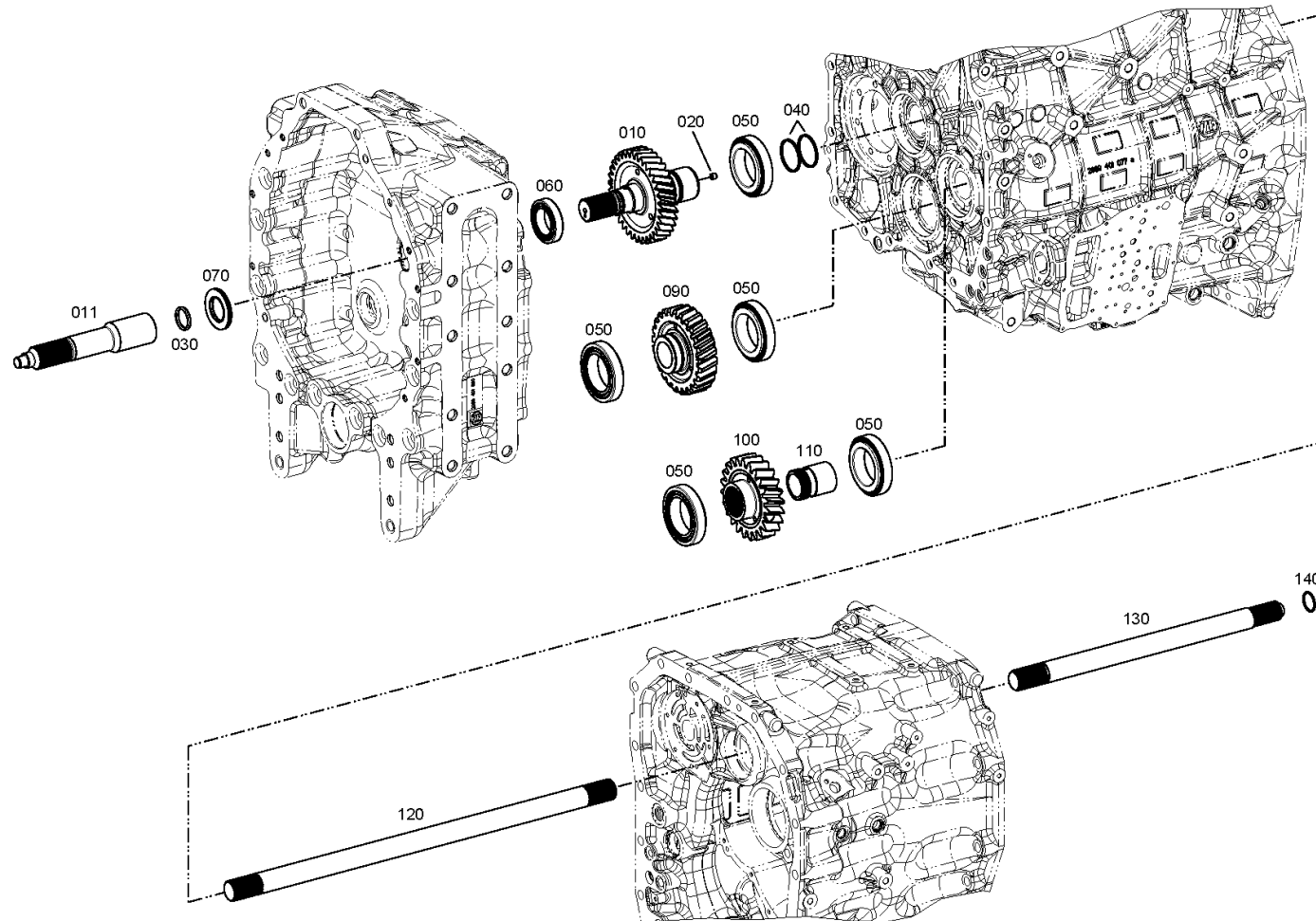
Material number: 2099.040.016

Picture: 209914901400

Material-assembly-group-no: 2099.149.014



TMG 32 /
INPUT SHAFT



Picture

Page 2 from 2

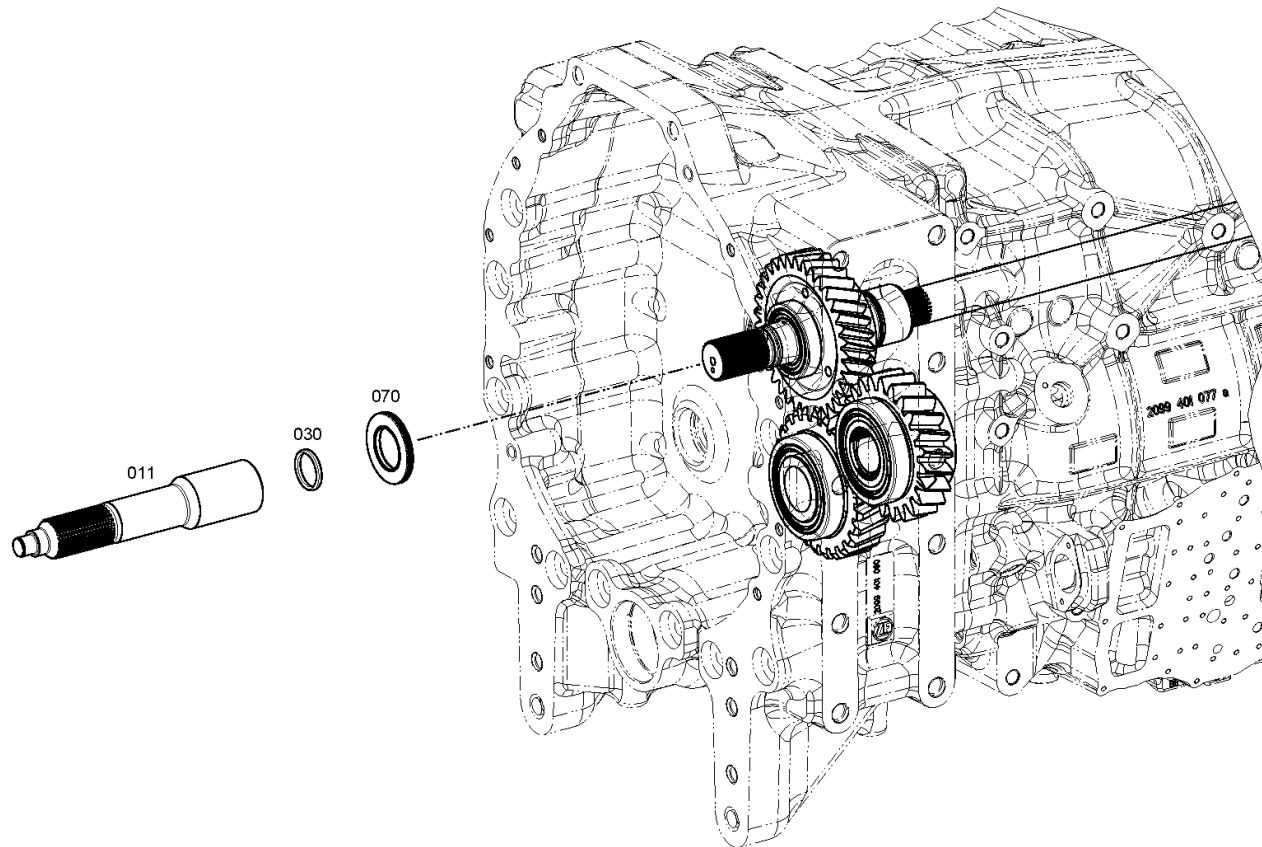
Material number: 2099.040.016

Picture: 209914901480

Material-assembly-group-no: 2099.149.014



TMG 32 /
INPUT SHAFT



Picture

Page 1 from 2

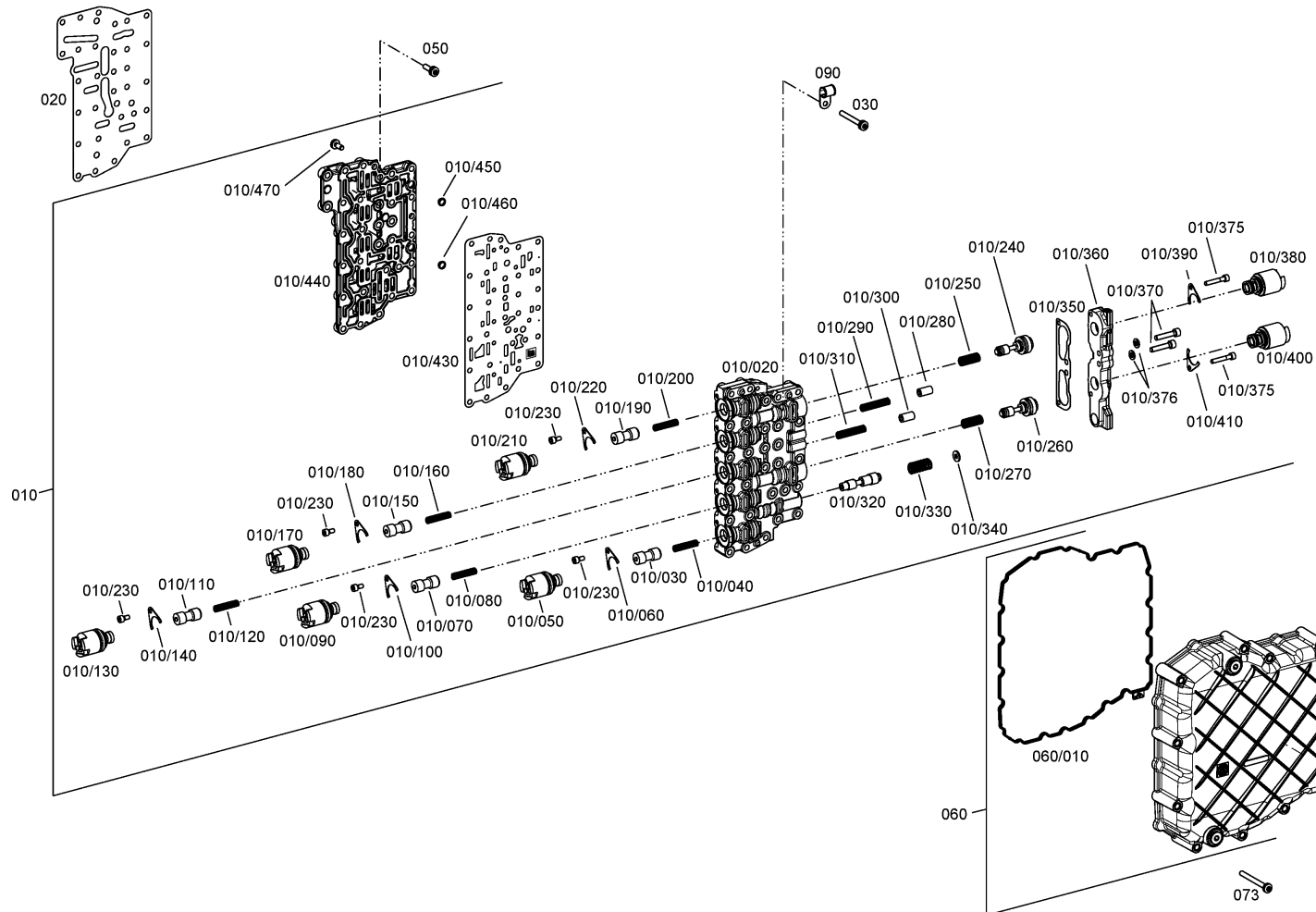
Material number: 2099.040.016

Picture: 209615200200

Material-assembly-group-no: 2096.152.002



TMG 32 /
HYDRAUL.CONTROL



Picture

Page 2 from 2

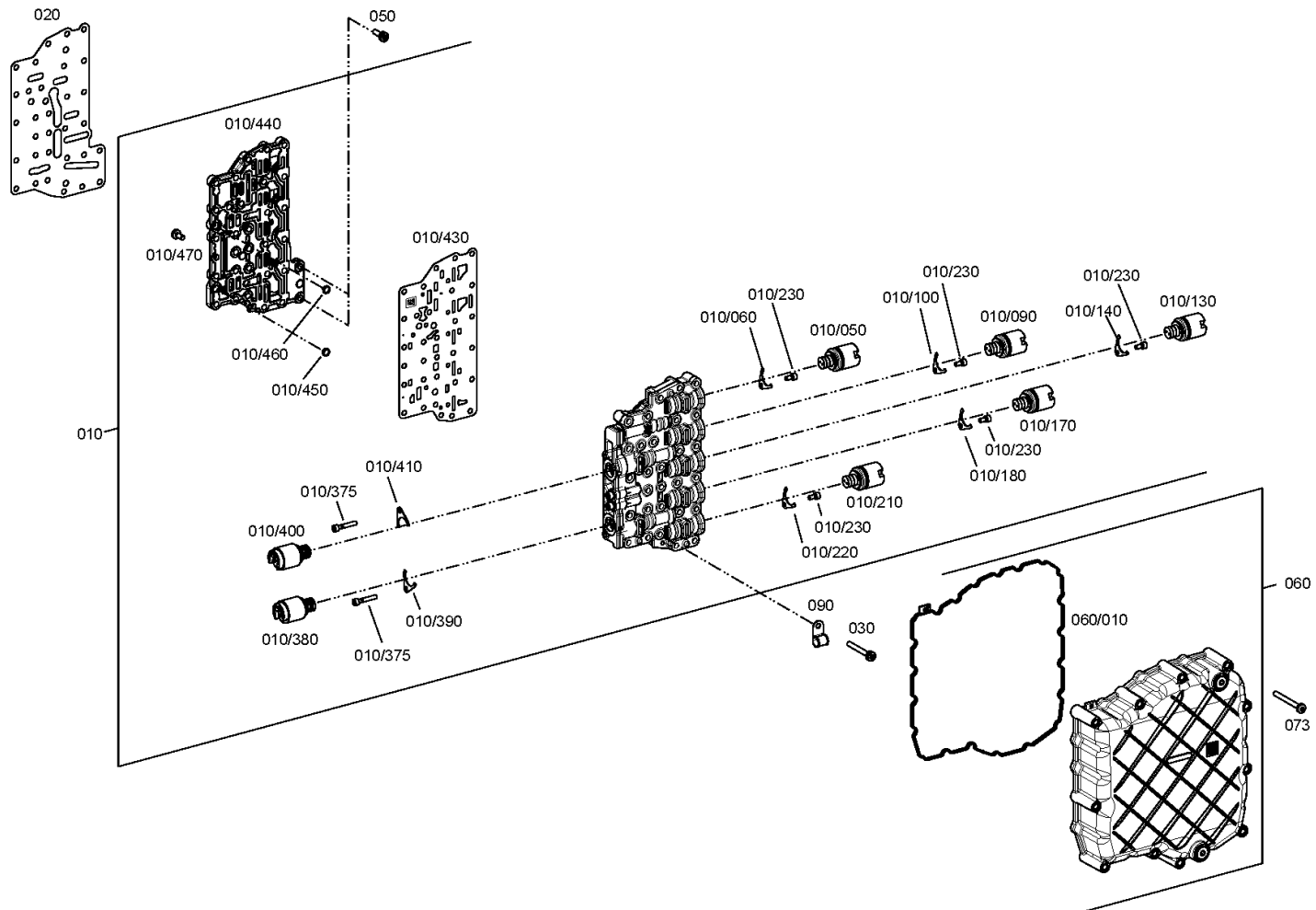
Material number: 2099.040.016

Picture: 209615200221

Material-assembly-group-no: 2096.152.002



TMG 32 /
HYDRAUL.CONTROL



Picture

Page 1 from 1

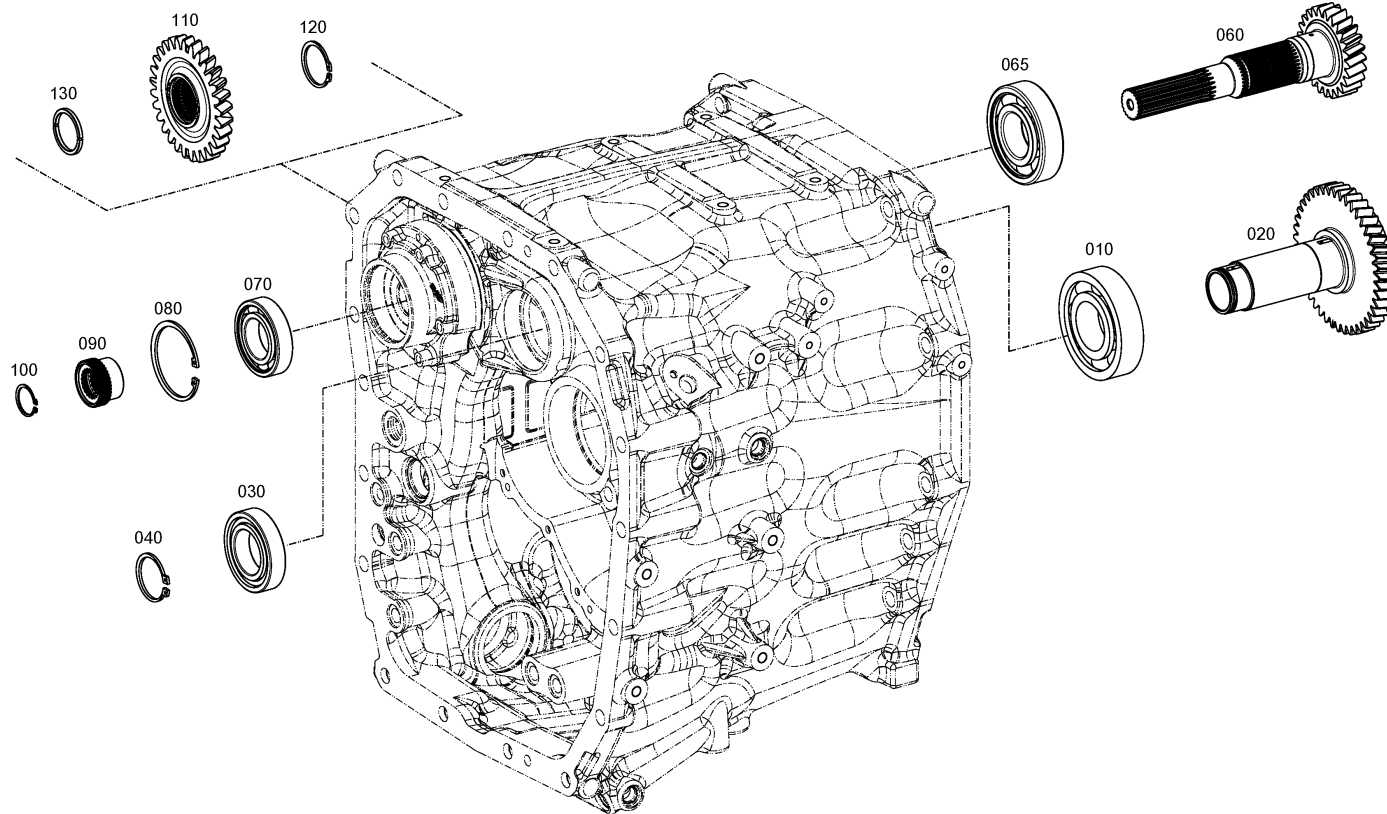
Material number: 2099.040.016

Picture: 209915901000

Material-assembly-group-no: 2099.159.010



TMG 32 /
INPUT



Picture

Page 1 from 1

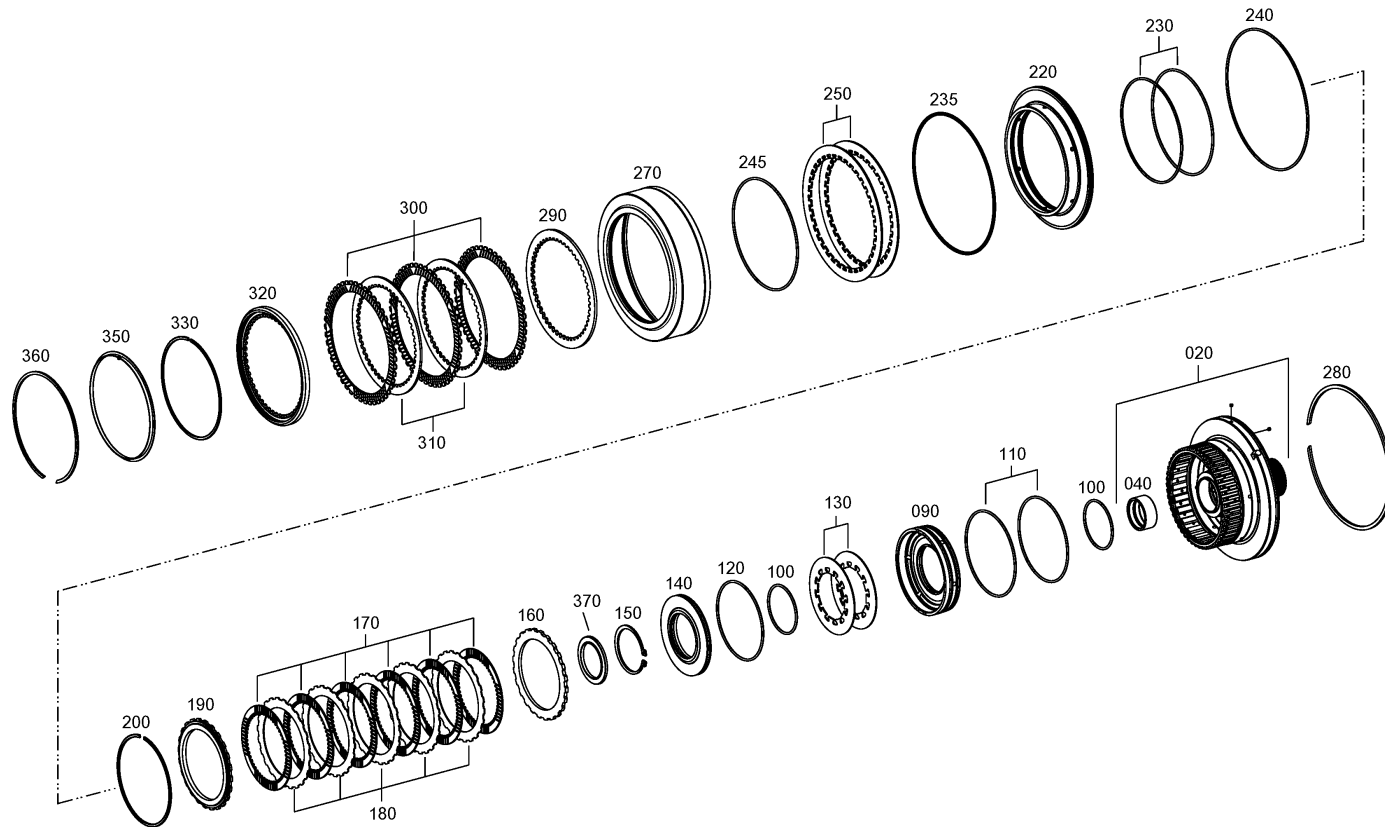
Material number: 2099.040.016

Picture: 209916100300

Material-assembly-group-no: 2099.161.003



TMG 32 /
COUPLING



Picture

Page 1 from 1

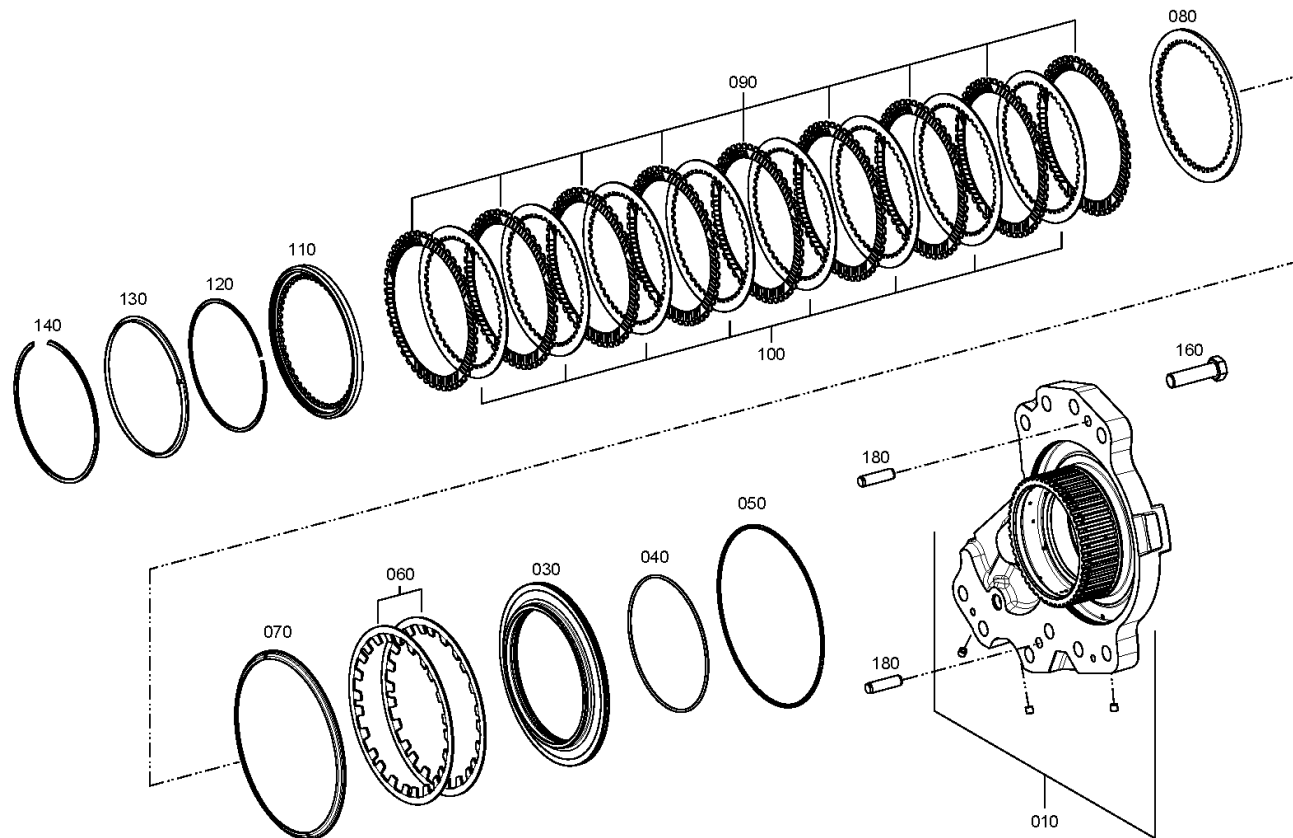
Material number: 2099.040.016

Picture: 209916300800

Material-assembly-group-no: 2099.163.008



TMG 32 /
BRAKE



Picture

Page 1 from 1

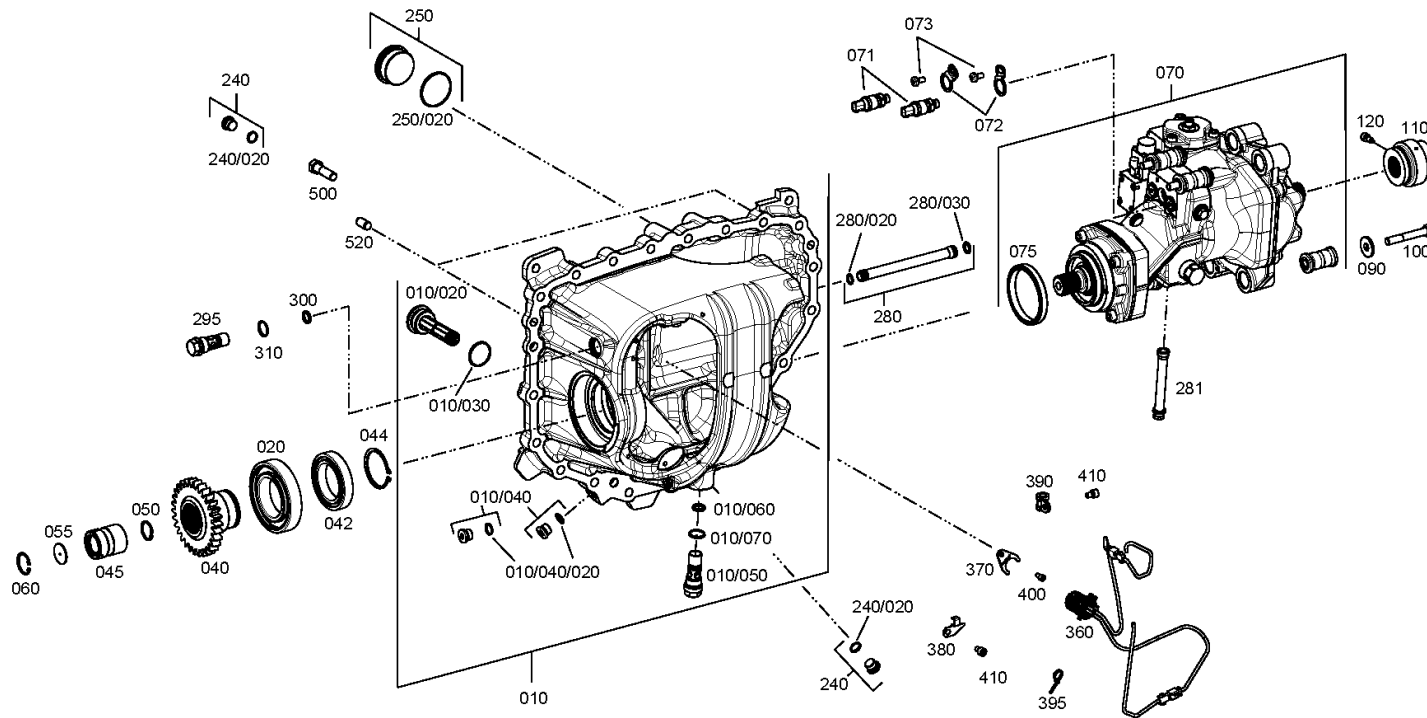
Material number: 2099.040.016

Picture: 209916901800

Material-assembly-group-no: 2099.169.018



TMG 32 /
PLUG-IN MODULE



Picture

Page 1 from 1

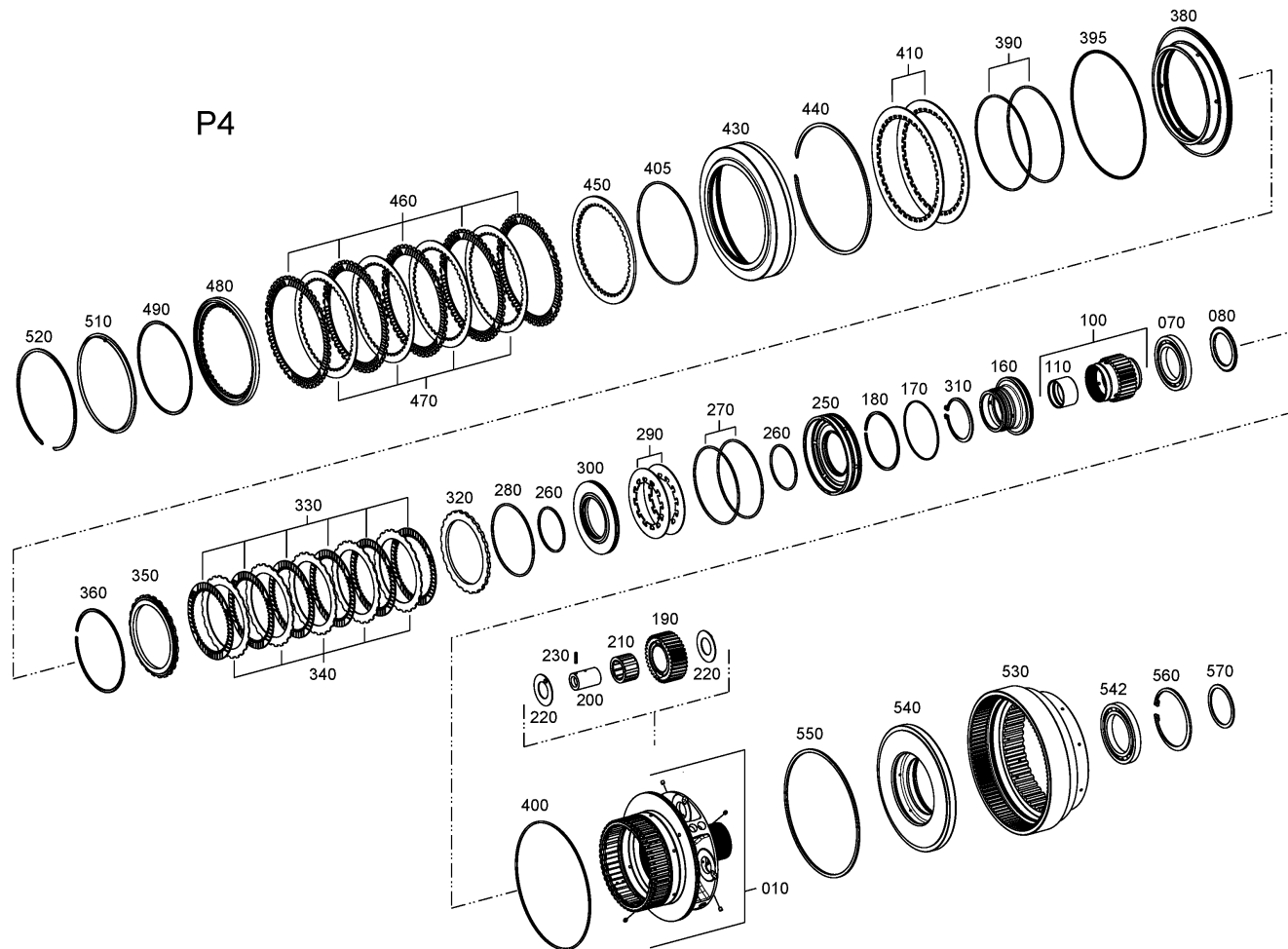
Material number: 2099.040.016

Picture: 209217108400

Material-assembly-group-no: 2092.171.084



TMG 32 /
PLANETARY DRIVE



Picture

Page 1 from 1

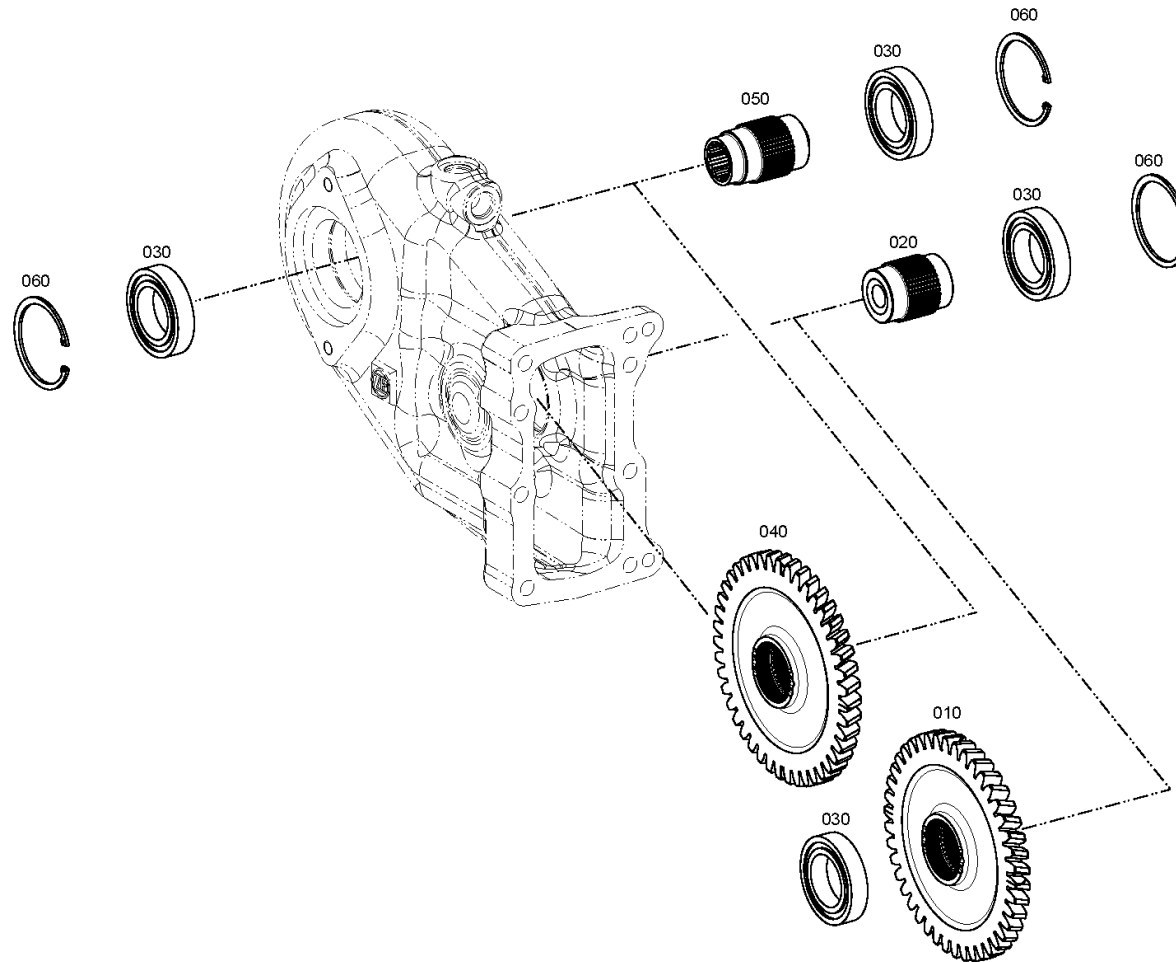
Material number: 2099.040.016

Picture: 209912200300

Material-assembly-group-no: 2099.122.003



TMG 32 /
PUMP DRIVE



Picture

Page 1 from 1

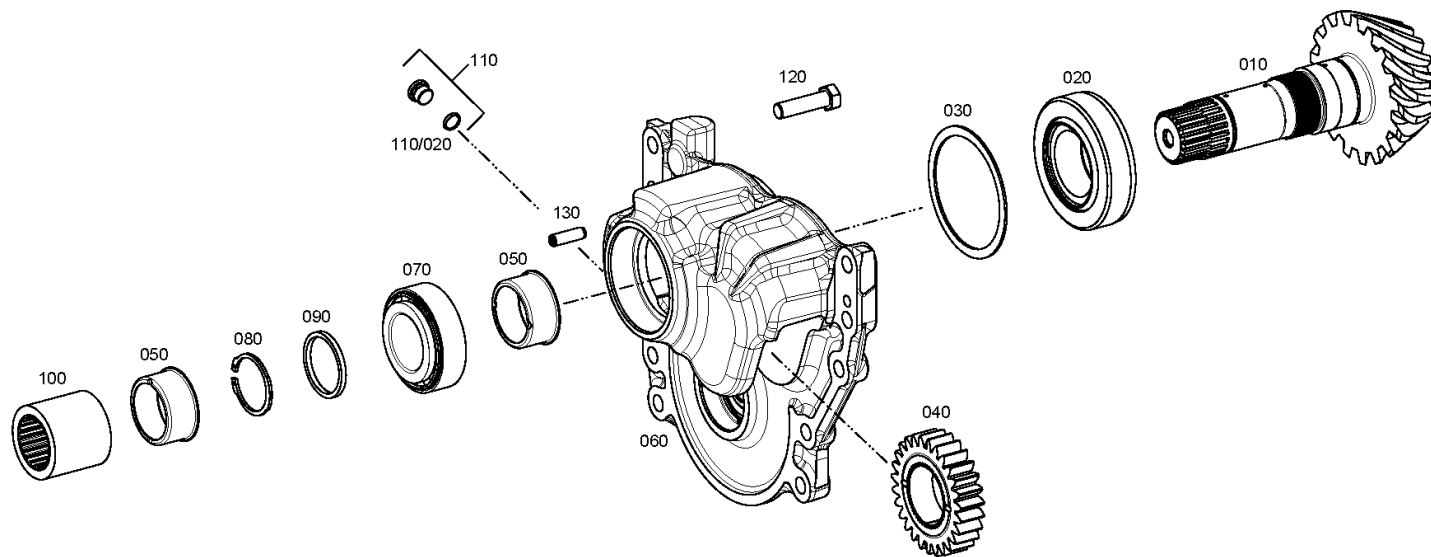
Material number: 2099.040.016

Picture: 209917400400

Material-assembly-group-no: 2099.174.004



TMG 32 /
OUTPUT



Picture

Page 1 from 2

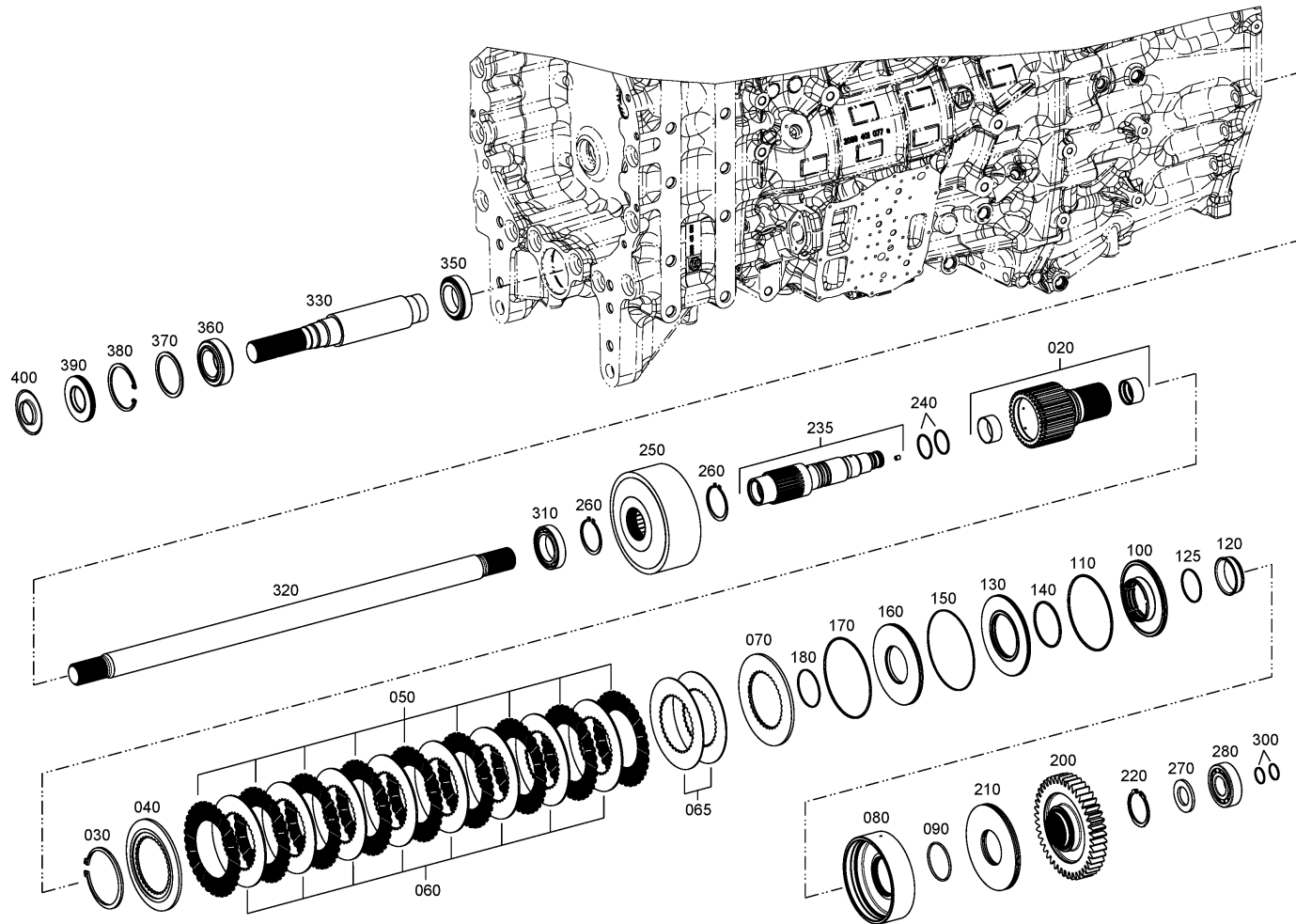
Material number: 2099.040.016

Picture: 209914607200

Material-assembly-group-no: 2099.146.072



TMG 32 /
FRONT WHEEL DRIVE



Picture

Page 2 from 2

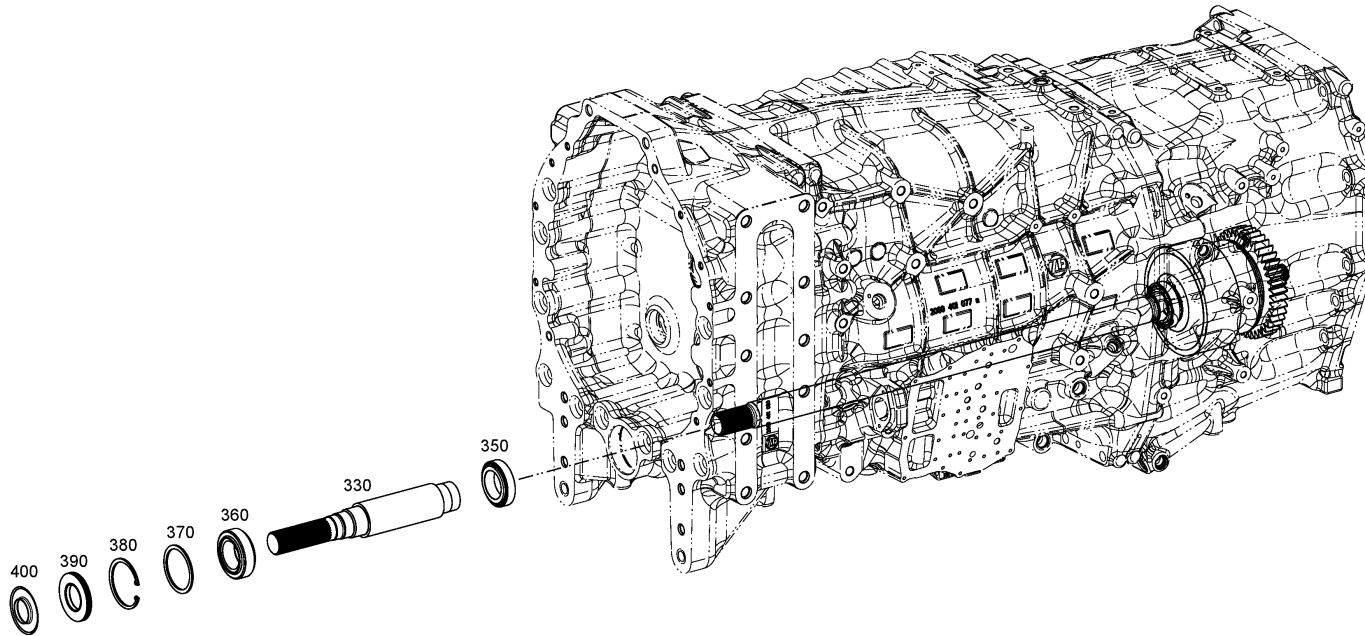
Material number: 2099.040.016

Picture: 209914607280

Material-assembly-group-no: 2099.146.072



TMG 32 /
FRONT WHEEL DRIVE



Picture

Page 1 from 1

Material number: 2099.040.016

Picture: 209914700700

Material-assembly-group-no: 2099.147.007



TMG 32 /
OIL SUPPLY

