



Spare Parts Catalog

TMT 32

Material number: 2099.041.010

Current date: 23.08.2022

ZF Friedrichshafen AG
Hauptverwaltung
80038 Friedrichshafen
Deutschland

Telefon: +49 7541 77-0

Telefax: +49 7541 77-908000

www.zf.com

zuständiges Werk:
Passau

Notes relating to the spare parts catalog

Setup of the spare parts catalog

- Cover sheet
- Technical Cover (only in SDM print)
- Overview of figures
- Figure
- Associated parts list
- Next figure
- Associated parts list
- ...

Figure and parts list



Overview of figures

| Bildtafel Figure | Sachnummer Product number | Benennung (Description) | Technische Info Technical info | Description (Benennung) | Menge Quantity | Einheit Unit |
|---------------------|------------------------------|----------------------------|-----------------------------------|----------------------------|-------------------|-----------------|
| 068.08.17 | 1316.170.001 | AUSLEGER | WL | SHIFT TURRET | 1 | Stk |
| 068.08.06 | 1316.170.031 | DECKEL | WL*H-H *VM | COVER | 1 | Stk |
| 068.08.14 | 1316.170.808 | DECKEL | WL*AUSL+GEH*H-H*HF160N | COVER | 1 | Stk |
| 08 | 1316.170.441 | ANSCHLUSSTEILE | WL*NG-VORB*RG-SCHL*168N *BAJONETT | CONNECTING PARTS | 1 | Stk |

The "gap" indicates that there is no separate graphics panel (poster) for this assembly
The parts of this assembly are shown with the same mid-section number on the figure

1 Positions and subpositions

| Pos. | Sachnummer Product number | Benennung (Description) | Technische Info Technical info | Description (Benennung) | Menge Quantity | Einheit Unit |
|-------|------------------------------|----------------------------|-----------------------------------|----------------------------|-------------------|-----------------|
| 0370 | 1315.201.054 | RUECKLAUFBOLZEN | KPL.16S151*SG*L= 79 | REV.IDLER SHAFT | 1 | Stk |
| /0120 | 0631.329.293 | SPANNSTIFT | | SLOT. PIN | 1 | Stk |

Positions marked with "/" are the individual items of a completion
For example: Position 0370 contains a centering pin with the position /0120

2 Combinations with standardized parts

| Pos. | Sachnummer Product number | Benennung (Description) | Technische Info Technical info | Description (Benennung) | Menge Quantity | Einheit Unit |
|------|------------------------------|----------------------------|-----------------------------------|----------------------------|-------------------|-----------------|
| 0630 | | VERSCHL.SCHR. | | SCREW PLUG | 1 | Stk |
| | 0636.302.067 | VERSCHL.SCHR. | | SCREW PLUG | 1 | Stk |
| | 0634.801.249 | DICHTRING | A 26 X 31 | SEALING RING | 1 | Stk |

The parts list shows the components included in the combination of standardized parts

3 Depiction of position/item number on the figure and in the parts list

01.620 - on the figure 01 relates to the assembly in which the position is included. Due to program-related reasons, it is shown on the figure.

0620 - in the parts list

| Pos. | Sachnummer Product number | Benennung (Description) | Technische Info Technical info | Description (Benennung) | Menge Quantity | Einheit Unit |
|------|------------------------------|----------------------------|-----------------------------------|----------------------------|-------------------|-----------------|
| 0620 | 0732.040.736 | DRUCKFEDER | | COMPRESSION SPRING | 1 | Stk |

4 *-Positions

Positions marked with an * are optional i.e. inclusion in the parts list is not mandatory.
The following note is shown on the figure

je nach Stücklistenausführung
depending on spec. number
*
suivant la nomenclature
secondo la distinta base

5 Parts, dotted display

Parts with dotted display on the figure are only used for orientation of other parts

Assembly group overview

Page 1 from 1

Material number: 2099.041.010



TMT 32 /

| Picture | Pos. | Material number | Name | Quantity | Amend. no. | Techn. Info. |
|--------------|------|-----------------|--------|----------|------------|--------------|
| 209904001600 | 10 | 2099.040.016 | TMG 32 | 1 | | |
| 209909000800 | 700 | 2099.090.008 | TRA 32 | 1 | | |

Picture

Page 1 from 1

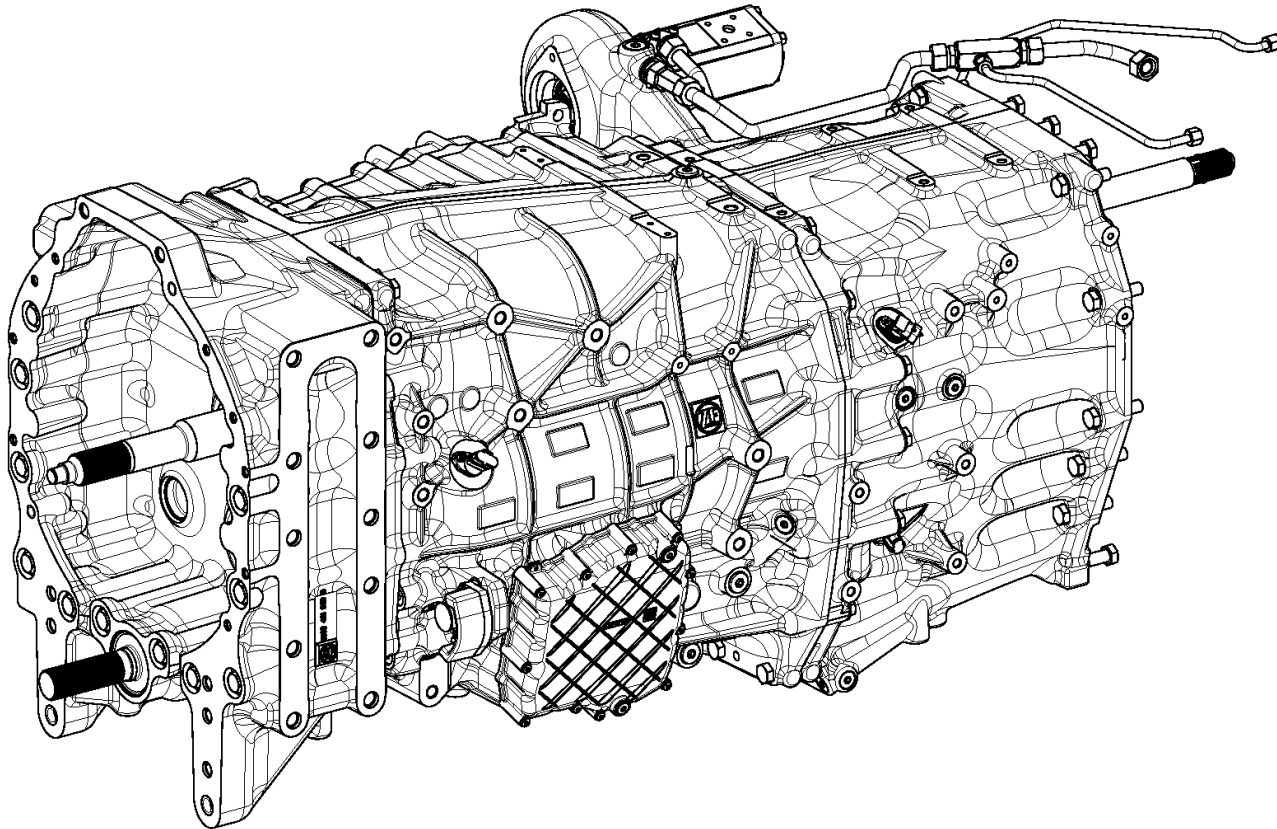
Material number: 2099.041.010

Picture: 209904001600

Material-assembly-group-no: 2099.040.016



TMT 32 /
TMG 32



Picture

Page 1 from 1

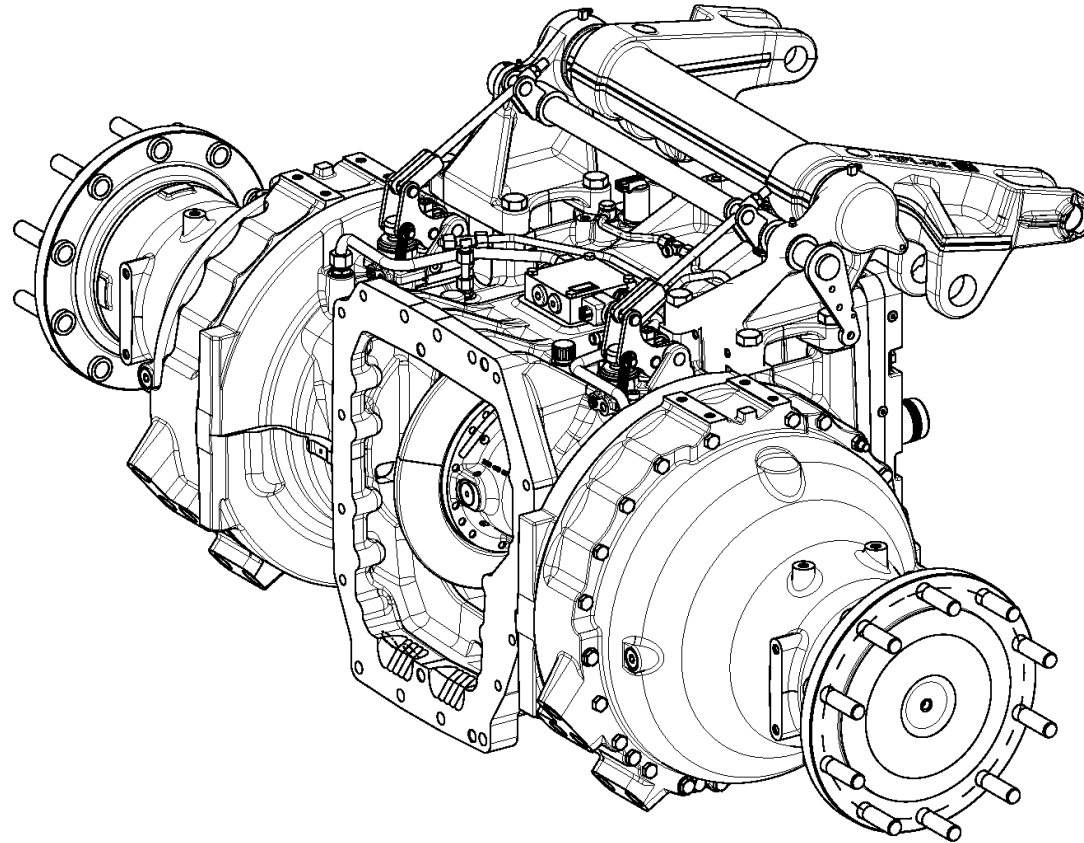
Material number: 2099.041.010

Picture: 209909000800

Material-assembly-group-no: 2099.090.008



TMT 32 /
TRA 32



Picture

Page 1 from 3

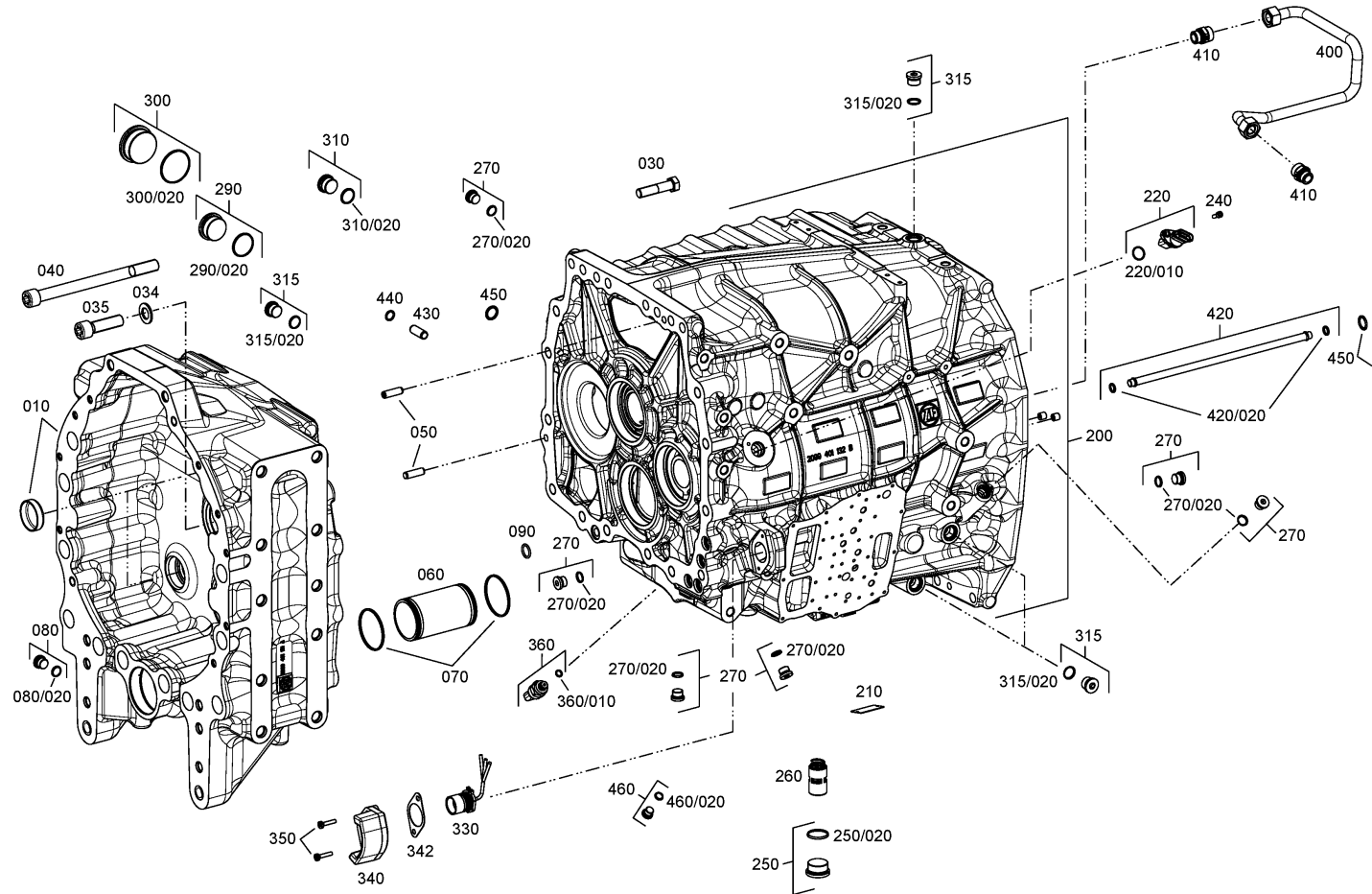
Material number: 2099.040.016

Picture: 209910107001

Material-assembly-group-no: 2099.101.070



TMT 32 /
HOUSING



Picture

Page 2 from 3

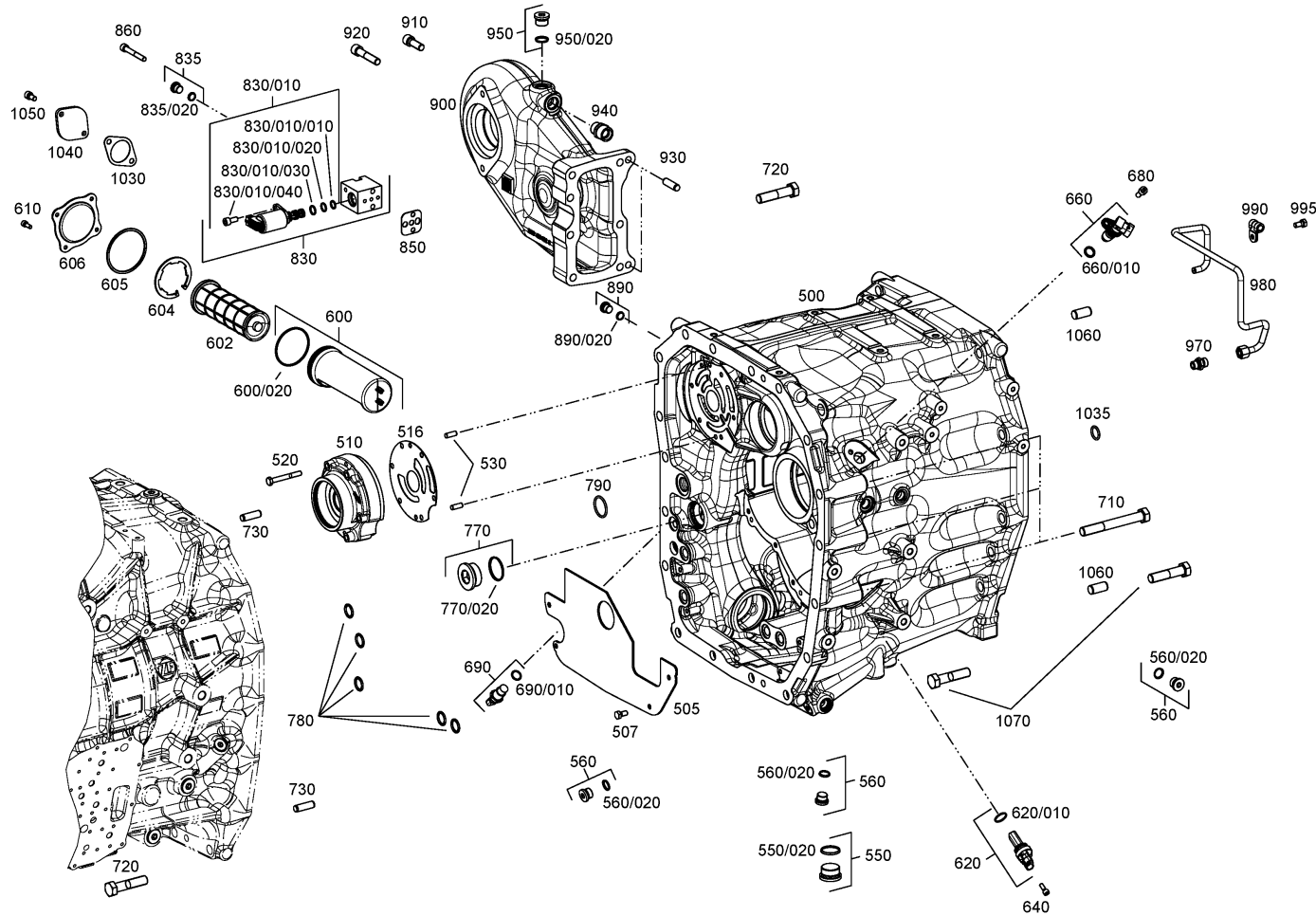
Material number: 2099.040.016

Picture: 209910107002

Material-assembly-group-no: 2099.101.070



TMT 32 /
HOUSING



Picture

Page 3 from 3

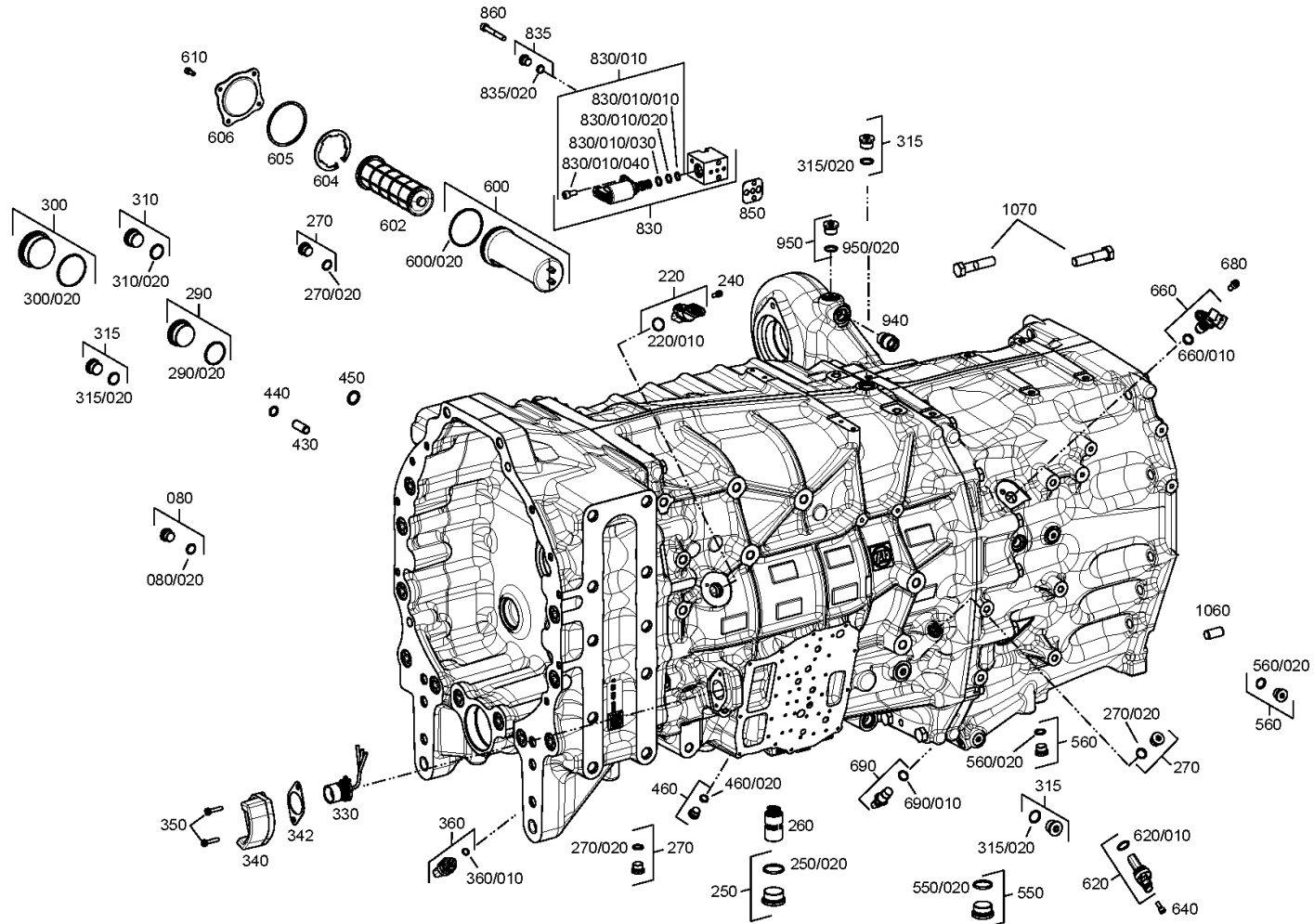
Material number: 2099.040.016

Picture: 209910107080

Material-assembly-group-no: 2099.101.070



TMT 32 /
HOUSING



Picture

Page 1 from 1

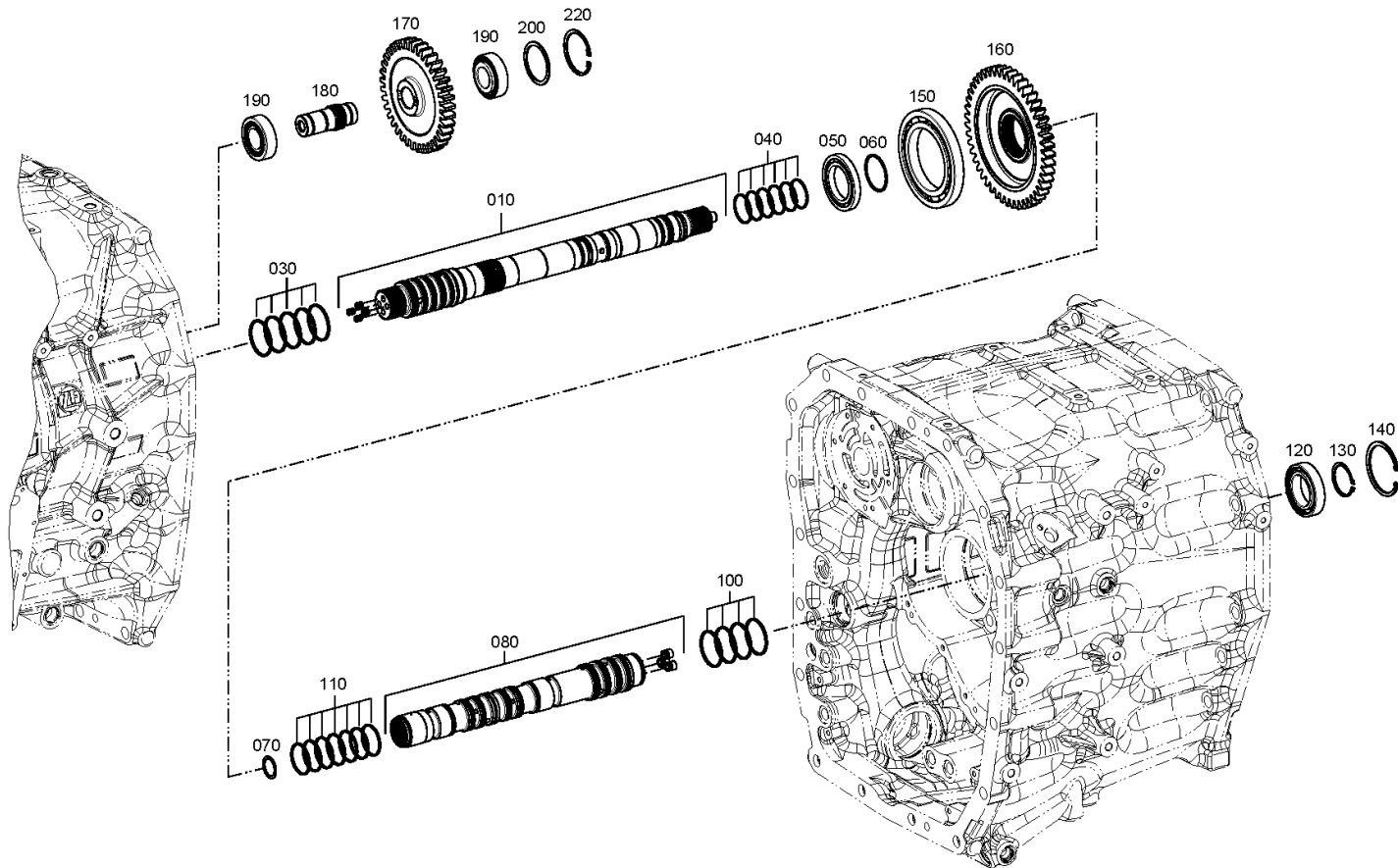
Material number: 2099.040.016

Picture: 209910208600

Material-assembly-group-no: 2099.102.086



TMT 32 /
INPUT



Picture

Page 1 from 2

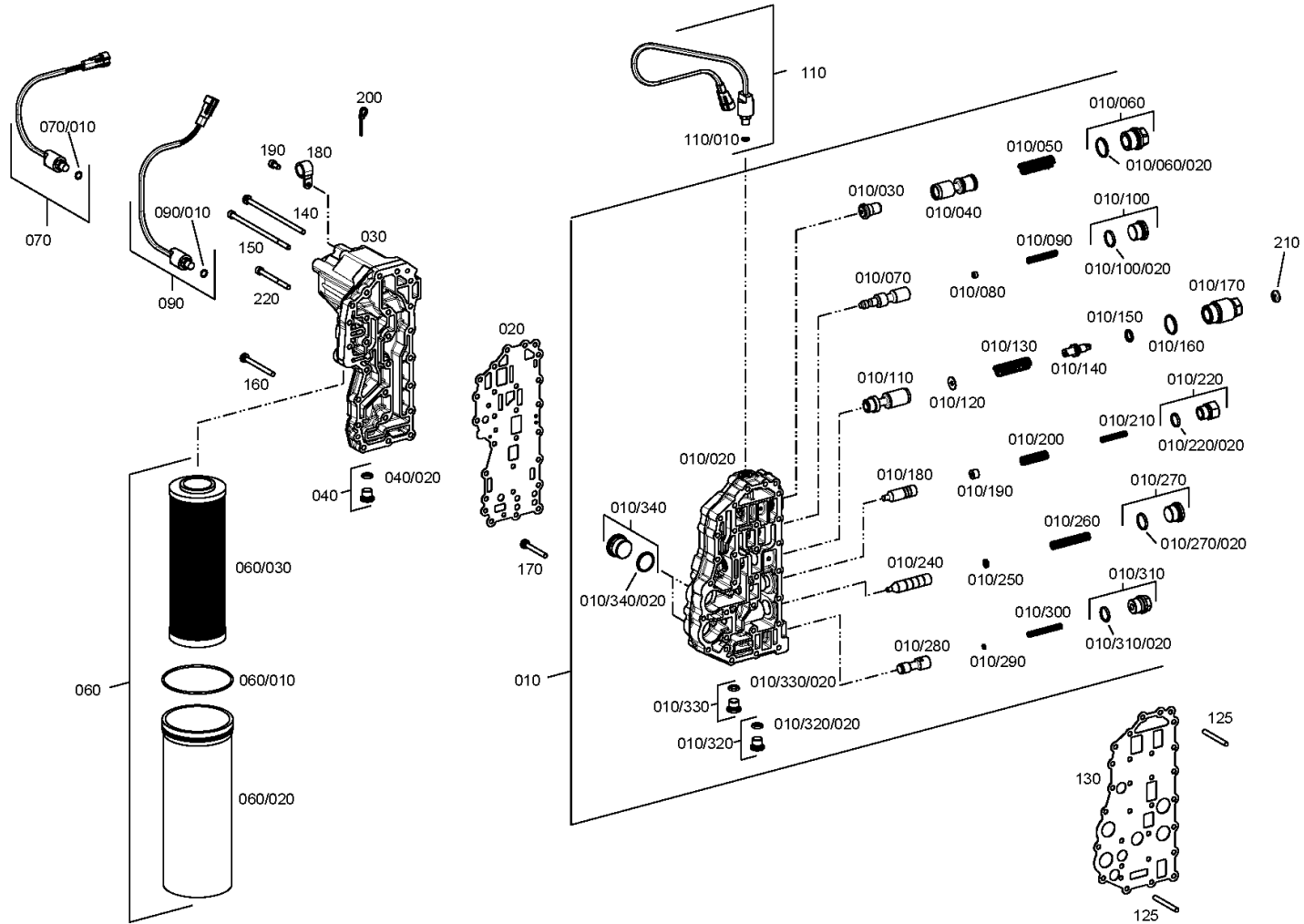
Material number: 2099.040.016

Picture: 209910708100

Material-assembly-group-no: 2099.107.081



TMT 32 /
HYDRAUL.CONTROL



Picture

Page 2 from 2

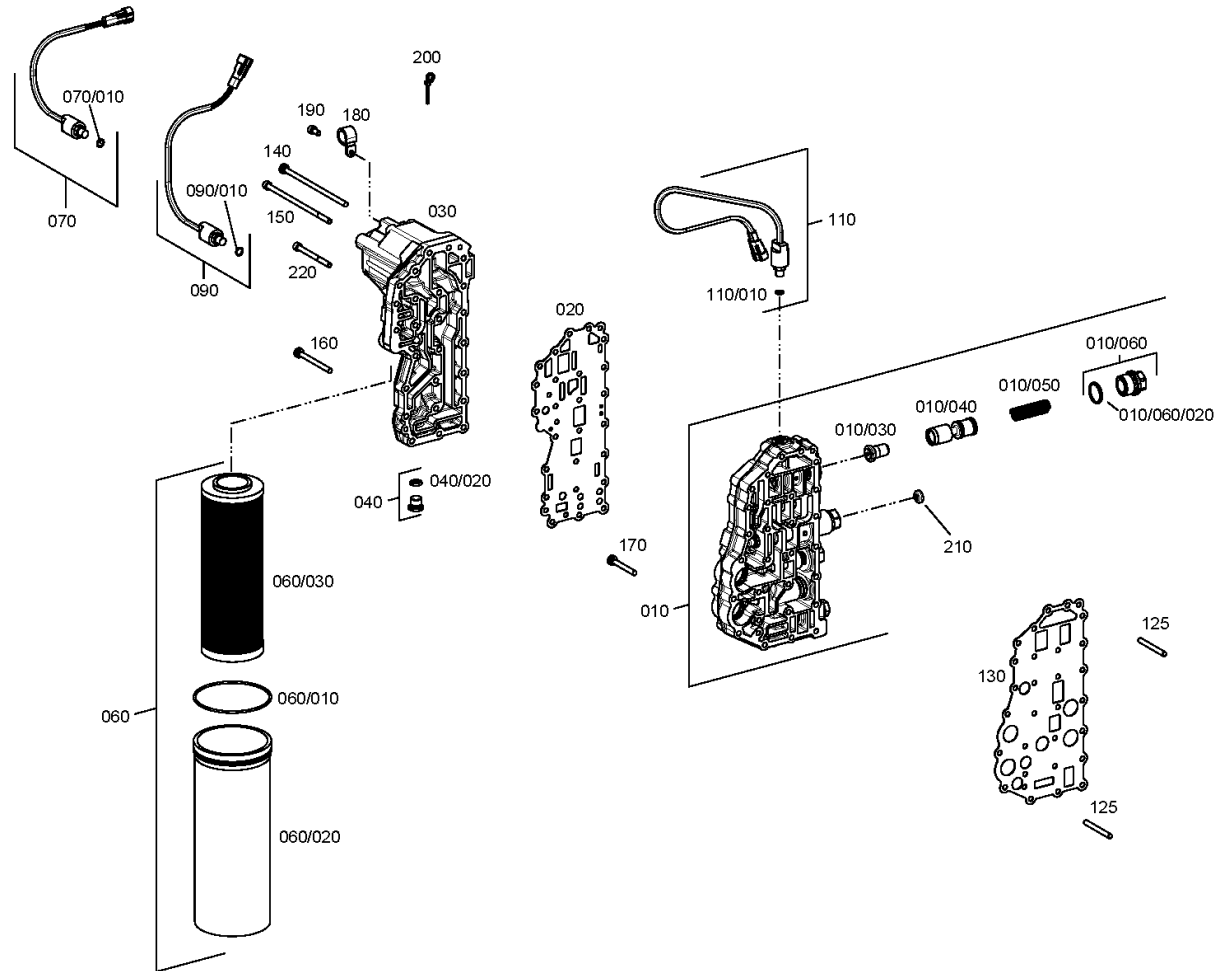
Material number: 2099.040.016

Picture: 209910708180

Material-assembly-group-no: 2099.107.081



TMT 32 /
HYDRAUL.CONTROL



Picture

Page 1 from 2

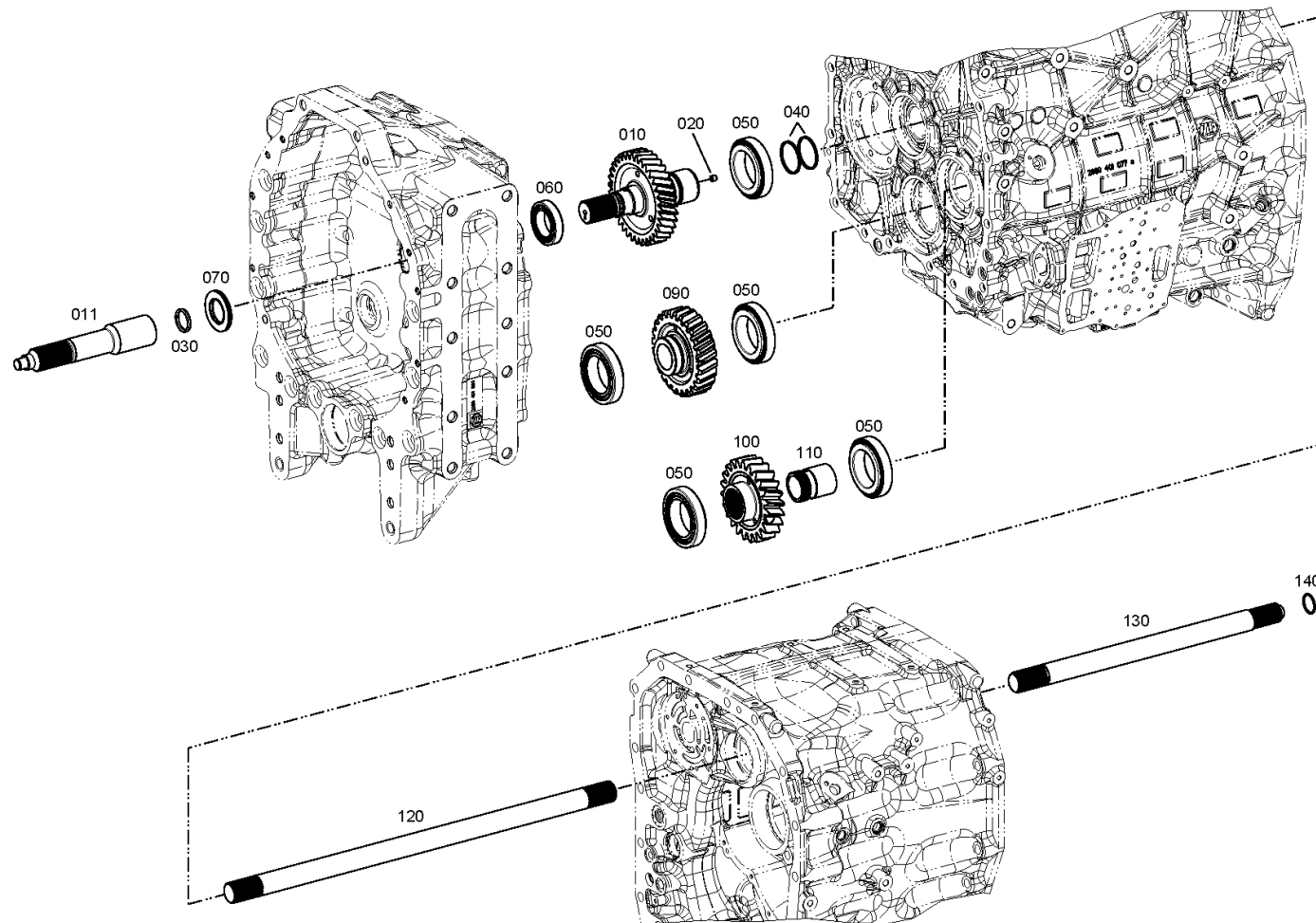
Material number: 2099.040.016

Picture: 209914901400

Material-assembly-group-no: 2099.149.014



TMT 32 /
INPUT SHAFT



Picture

Page 2 from 2

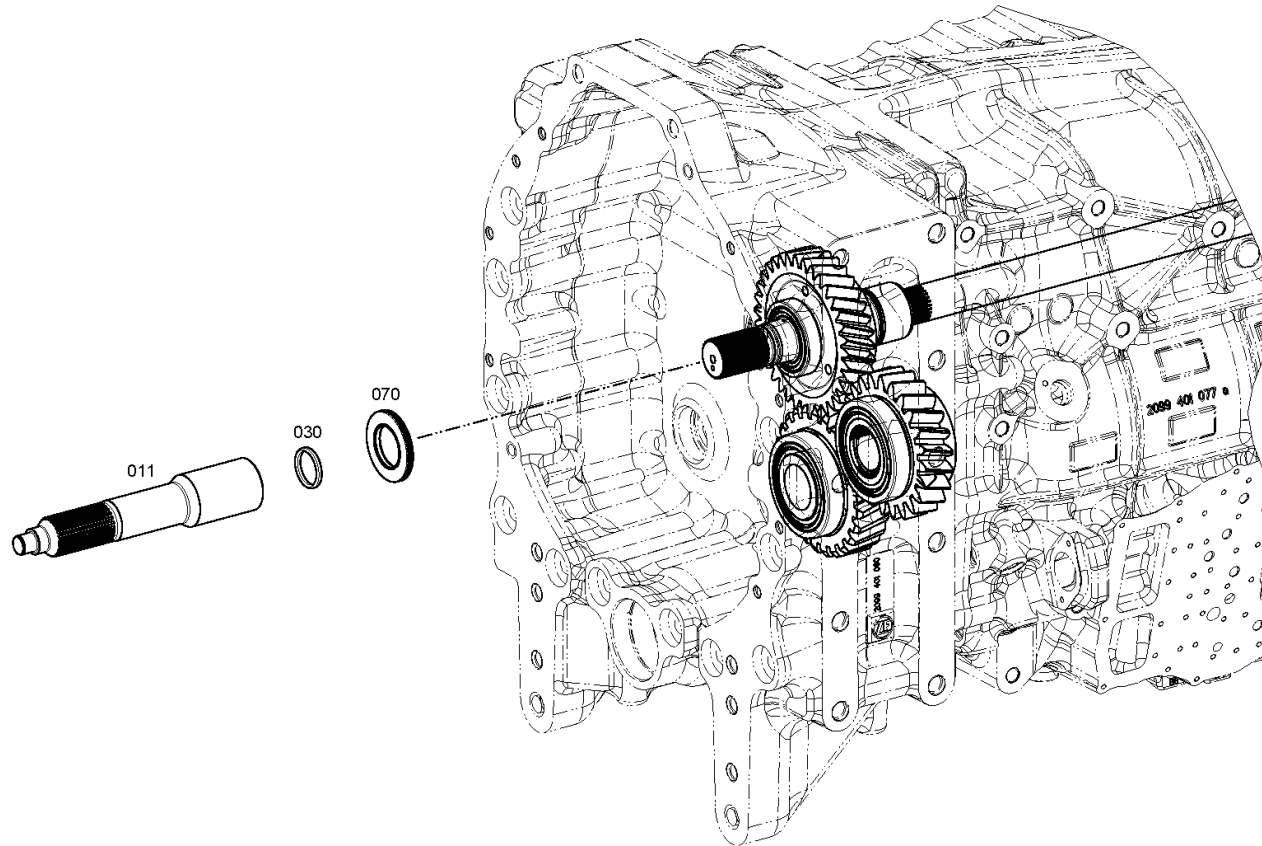
Material number: 2099.040.016

Picture: 209914901480

Material-assembly-group-no: 2099.149.014



TMT 32 /
INPUT SHAFT



Picture

Page 1 from 2

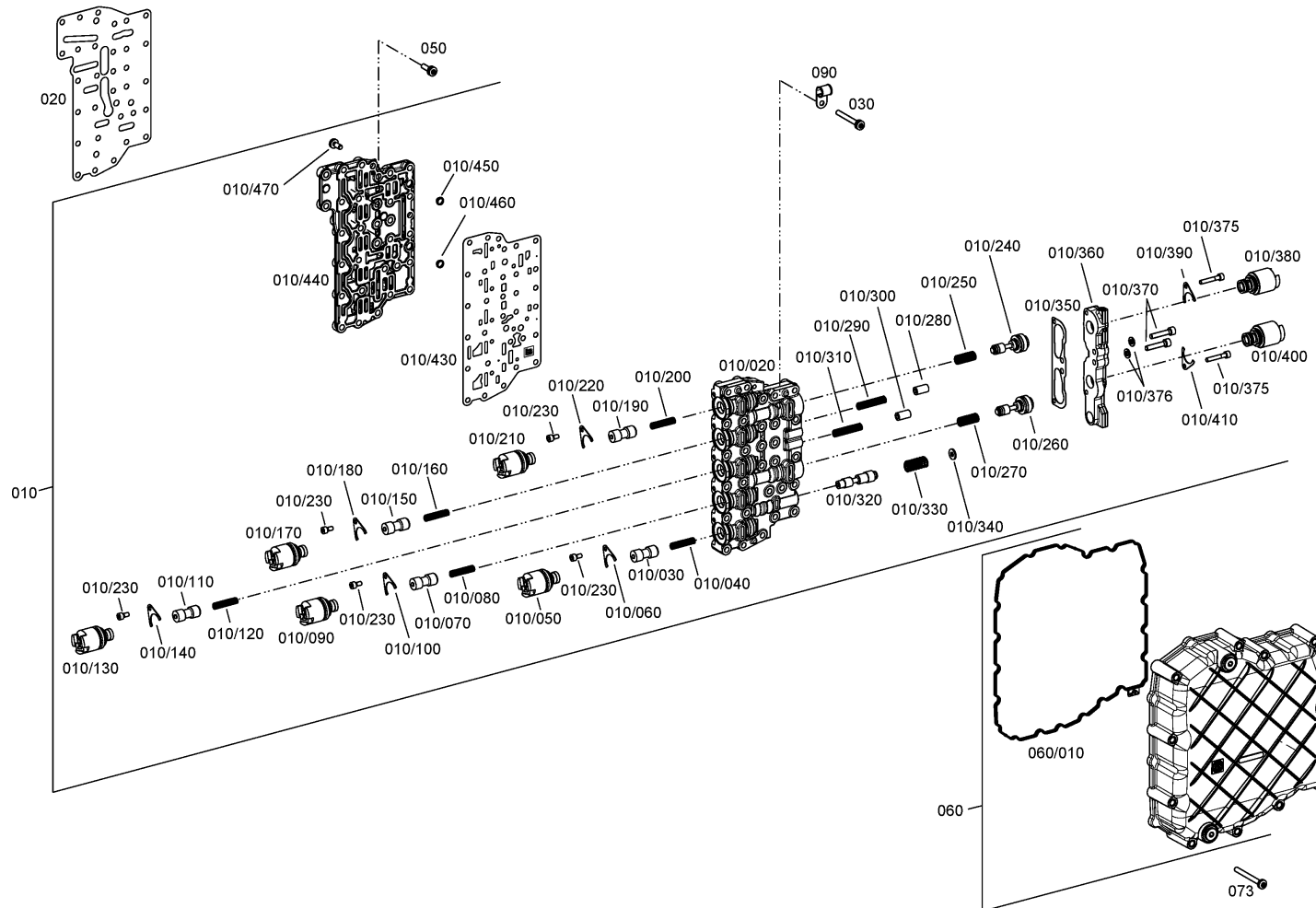
Material number: 2099.040.016

Picture: 209615200200

Material-assembly-group-no: 2096.152.002



TMT 32 /
HYDRAUL.CONTROL



Picture

Page 2 from 2

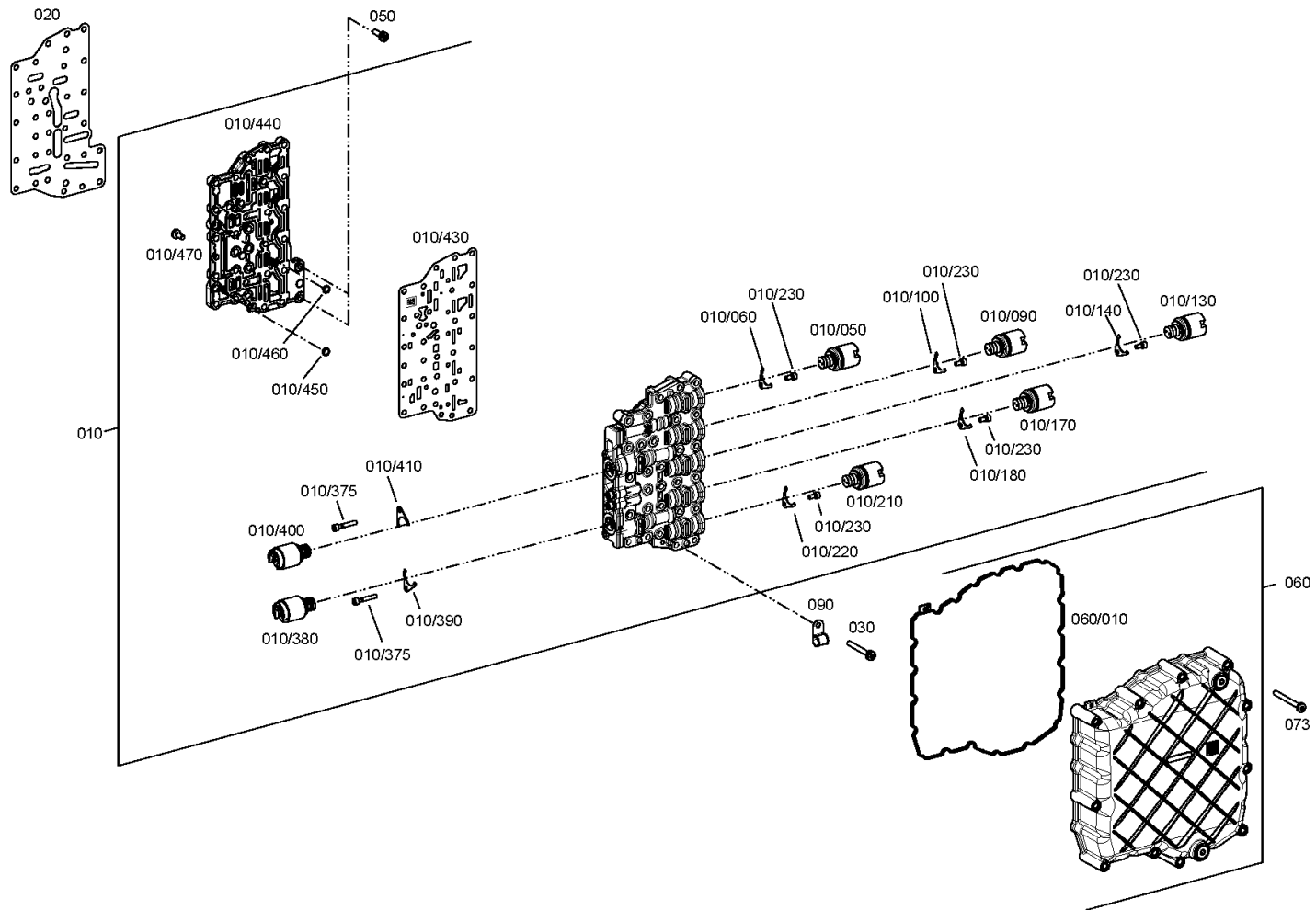
Material number: 2099.040.016

Picture: 209615200221

Material-assembly-group-no: 2096.152.002



TMT 32 /
HYDRAUL.CONTROL



Picture

Page 1 from 1

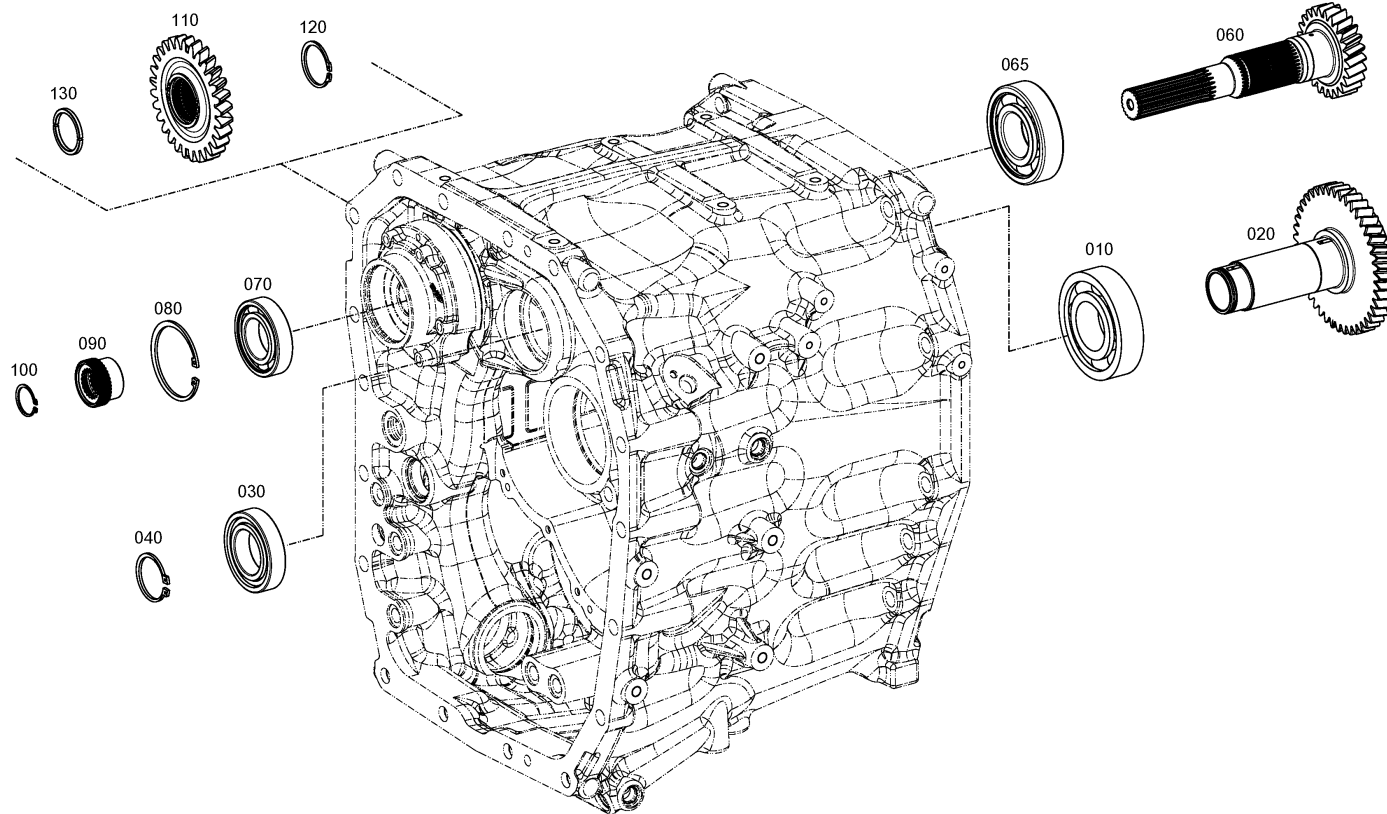
Material number: 2099.040.016

Picture: 209915901000

Material-assembly-group-no: 2099.159.010



TMT 32 /
INPUT



Picture

Page 1 from 1

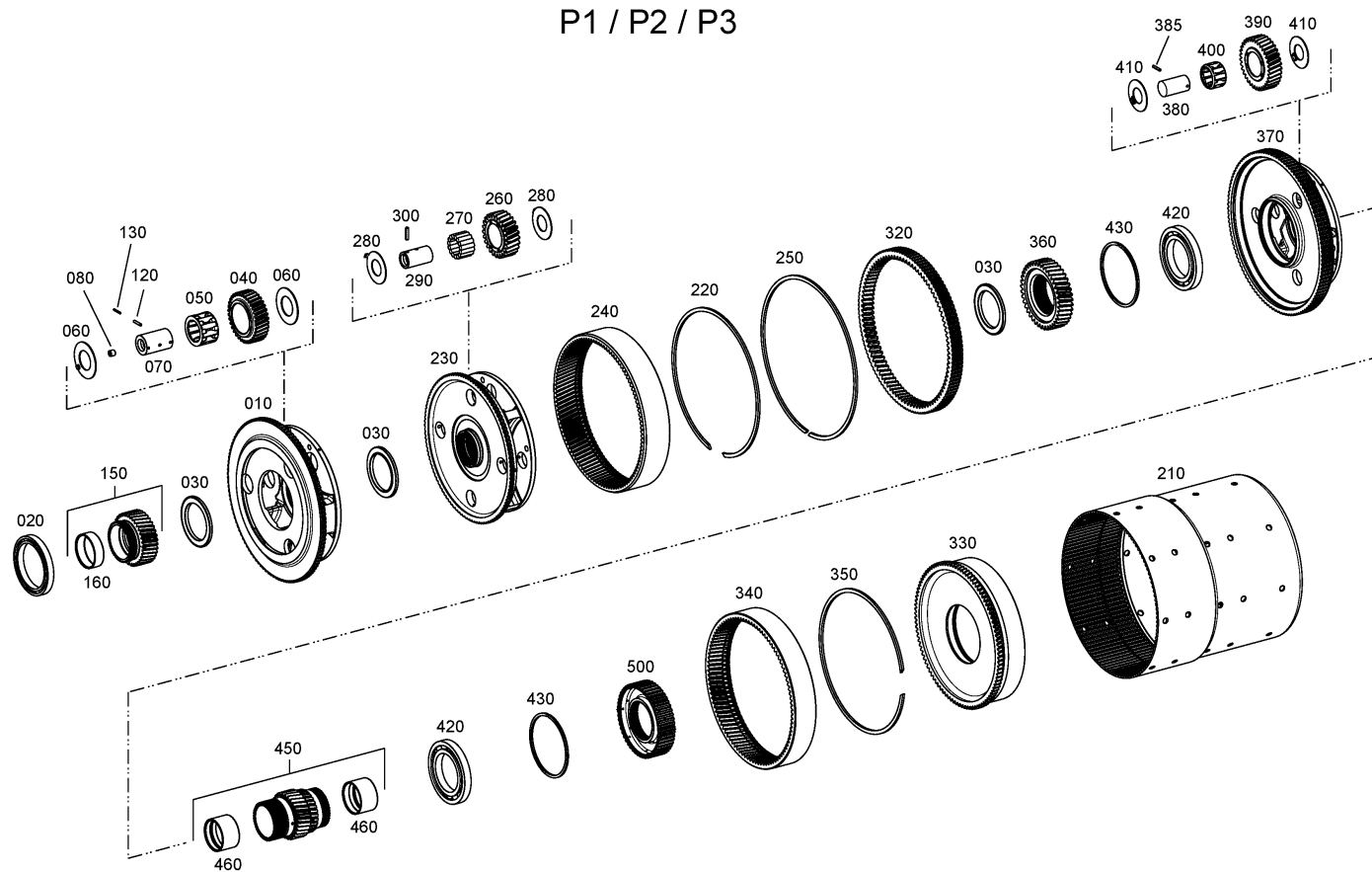
Material number: 2099.040.016

Picture: 209216007900

Material-assembly-group-no: 2092.160.079



TMT 32 /
PLANETARY DRIVE



Picture

Page 1 from 1

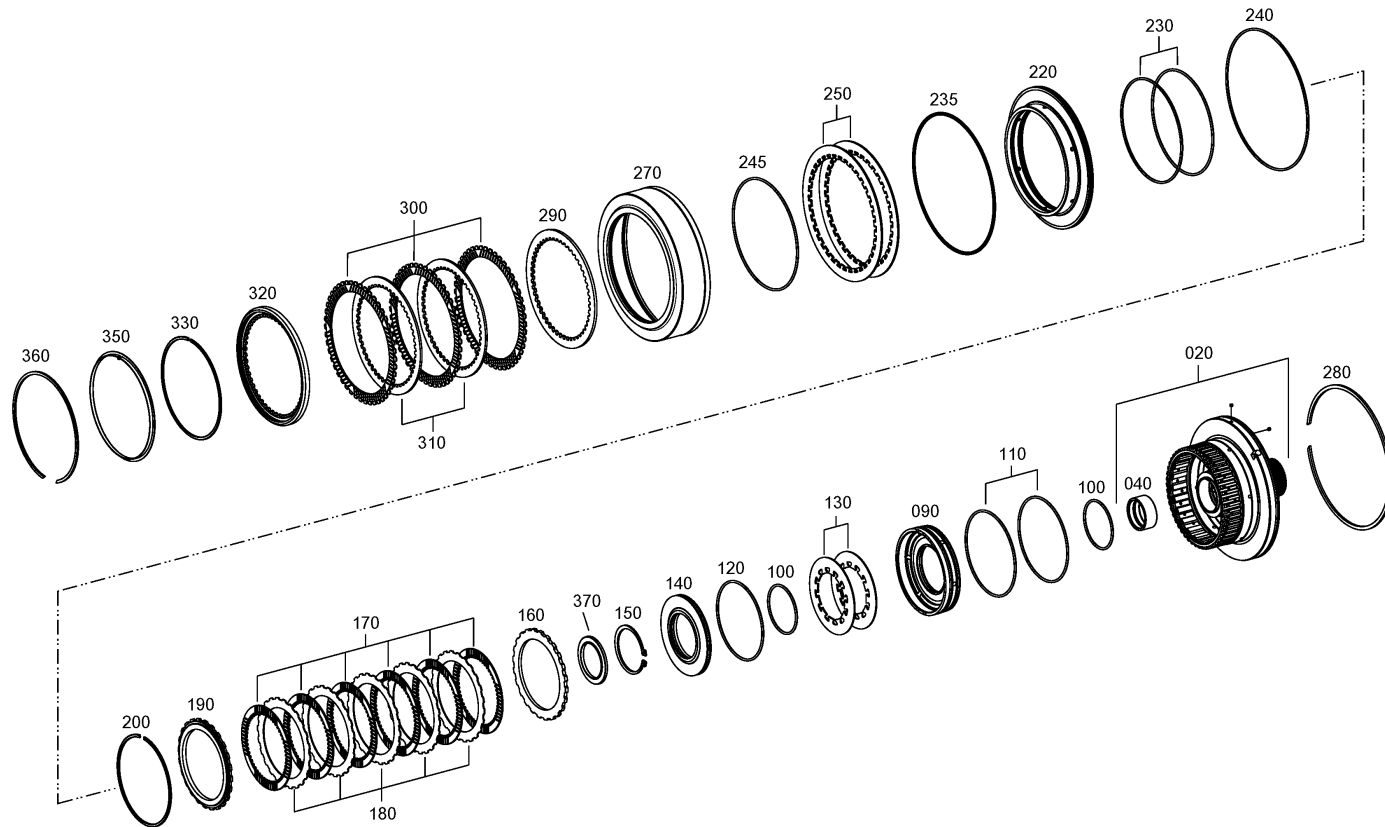
Material number: 2099.040.016

Picture: 209916100300

Material-assembly-group-no: 2099.161.003



TMT 32 /
COUPLING



Picture

Page 1 from 1

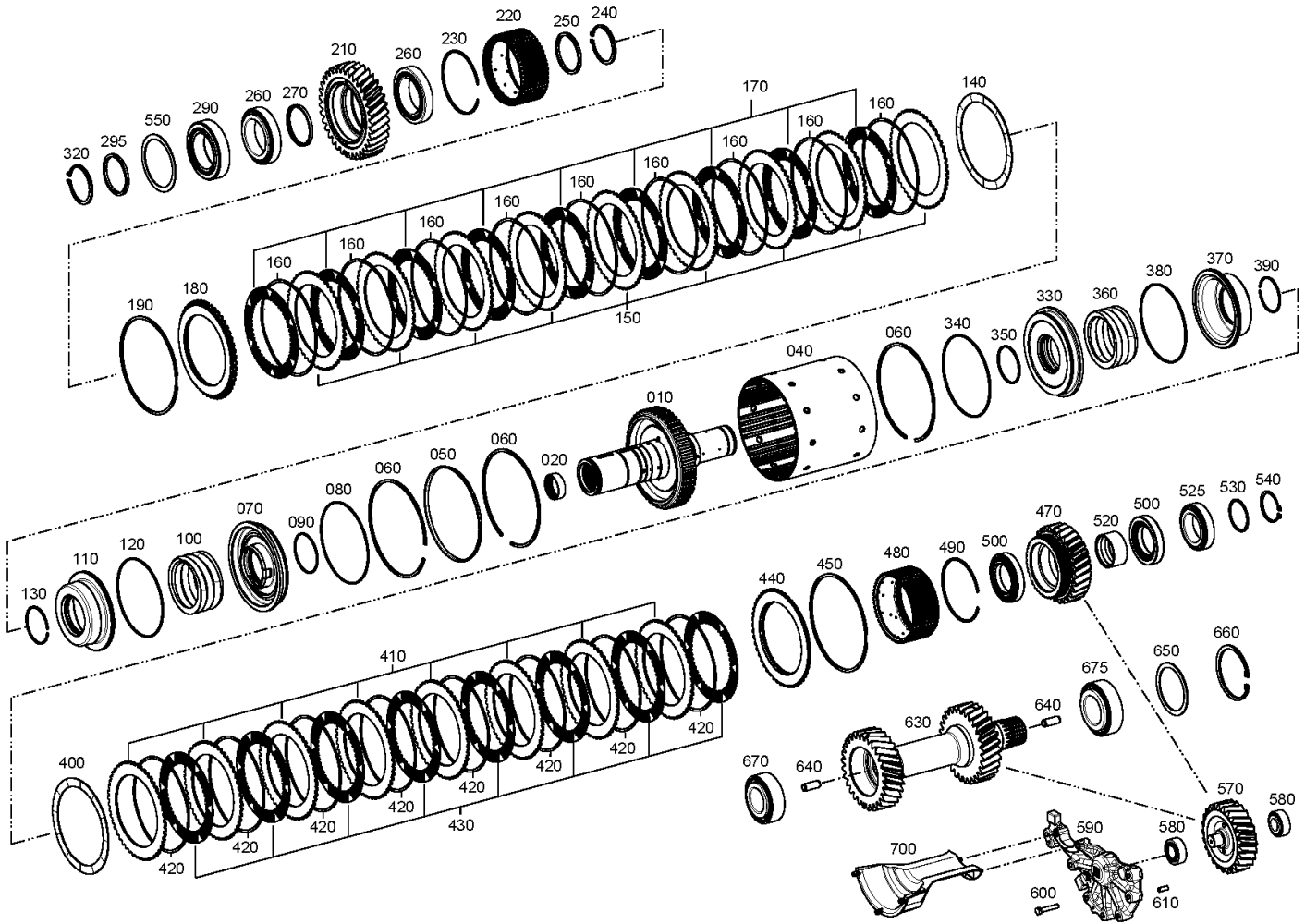
Material number: 2099.040.016

Picture: 20991620200

Material-assembly-group-no: 2099.162.020



TMT 32 /
COUPLING



Picture

Page 1 from 1

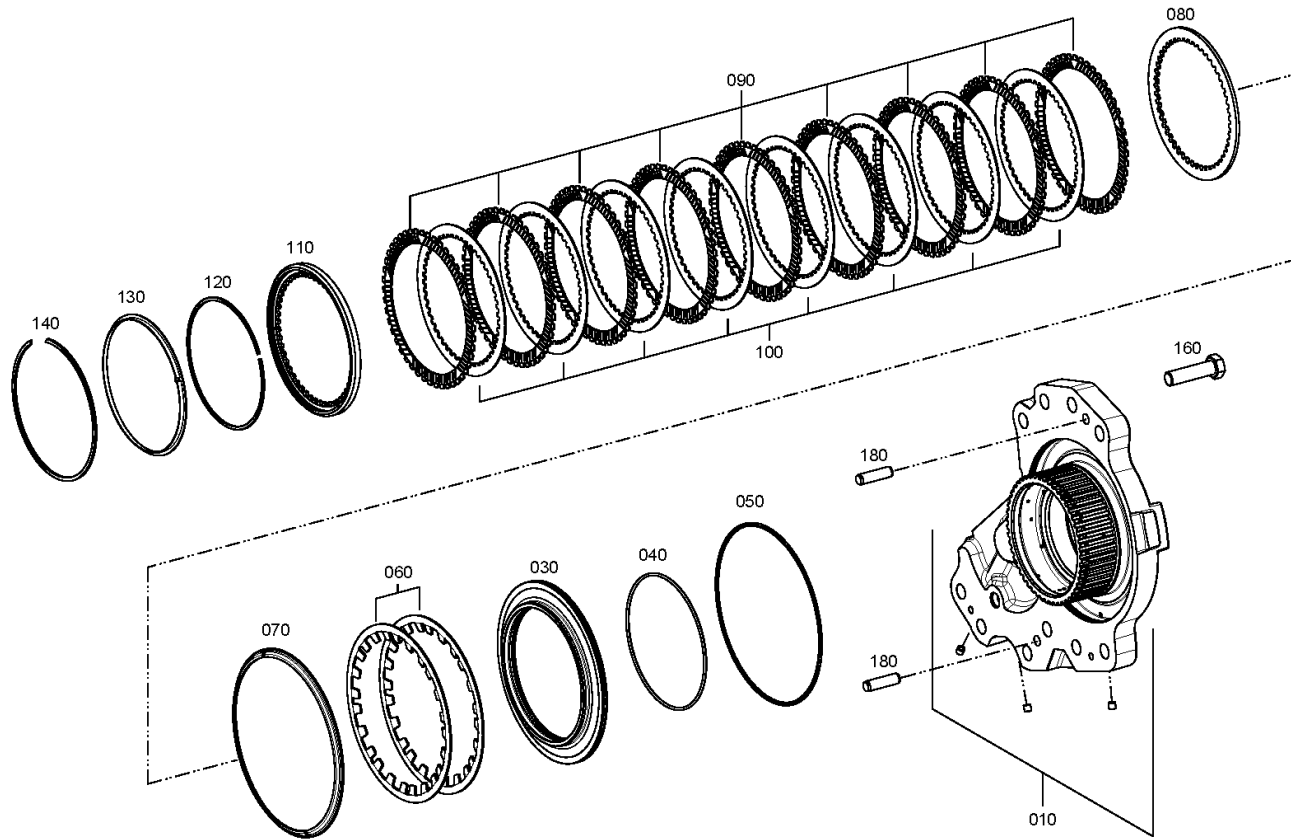
Material number: 2099.040.016

Picture: 209916300800

Material-assembly-group-no: 2099.163.008



TMT 32 /
BRAKE



Picture

Page 1 from 1

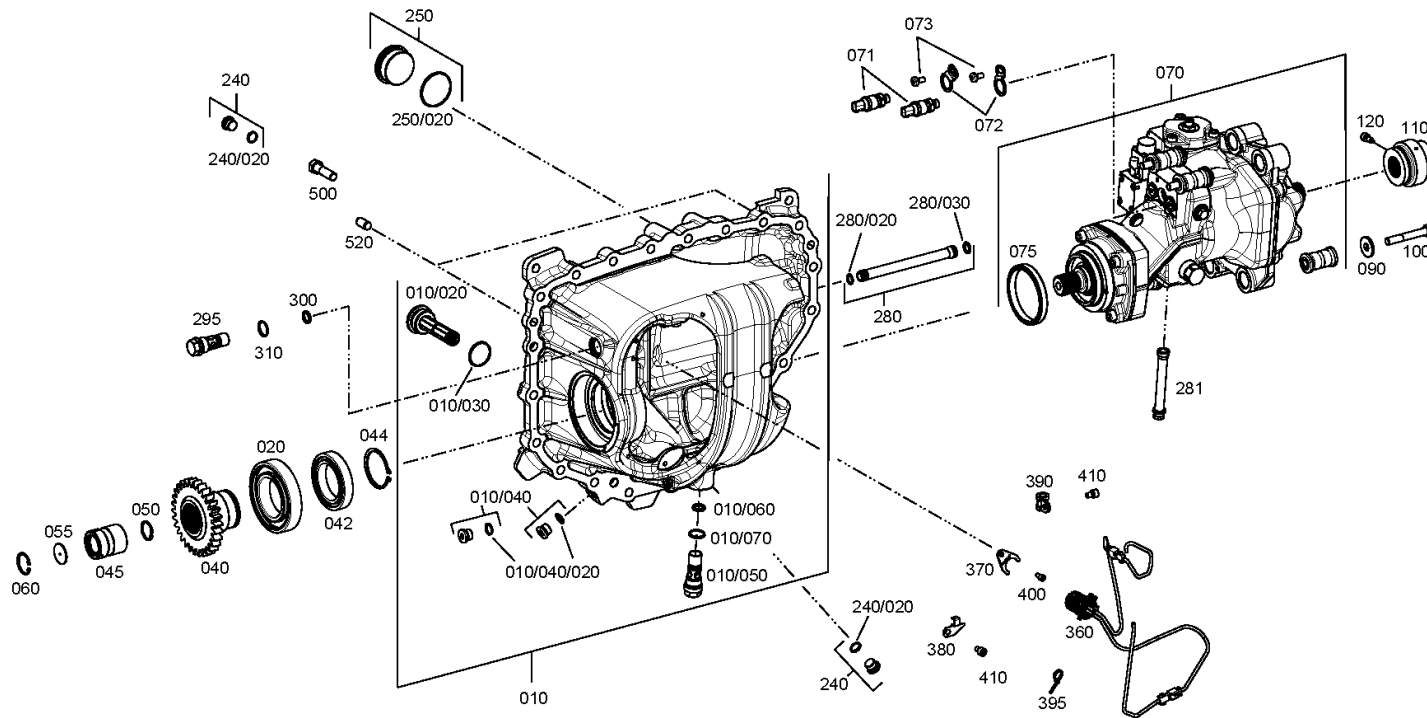
Material number: 2099.040.016

Picture: 209916901800

Material-assembly-group-no: 2099.169.018



TMT 32 /
PLUG-IN MODULE



Picture

Page 1 from 1

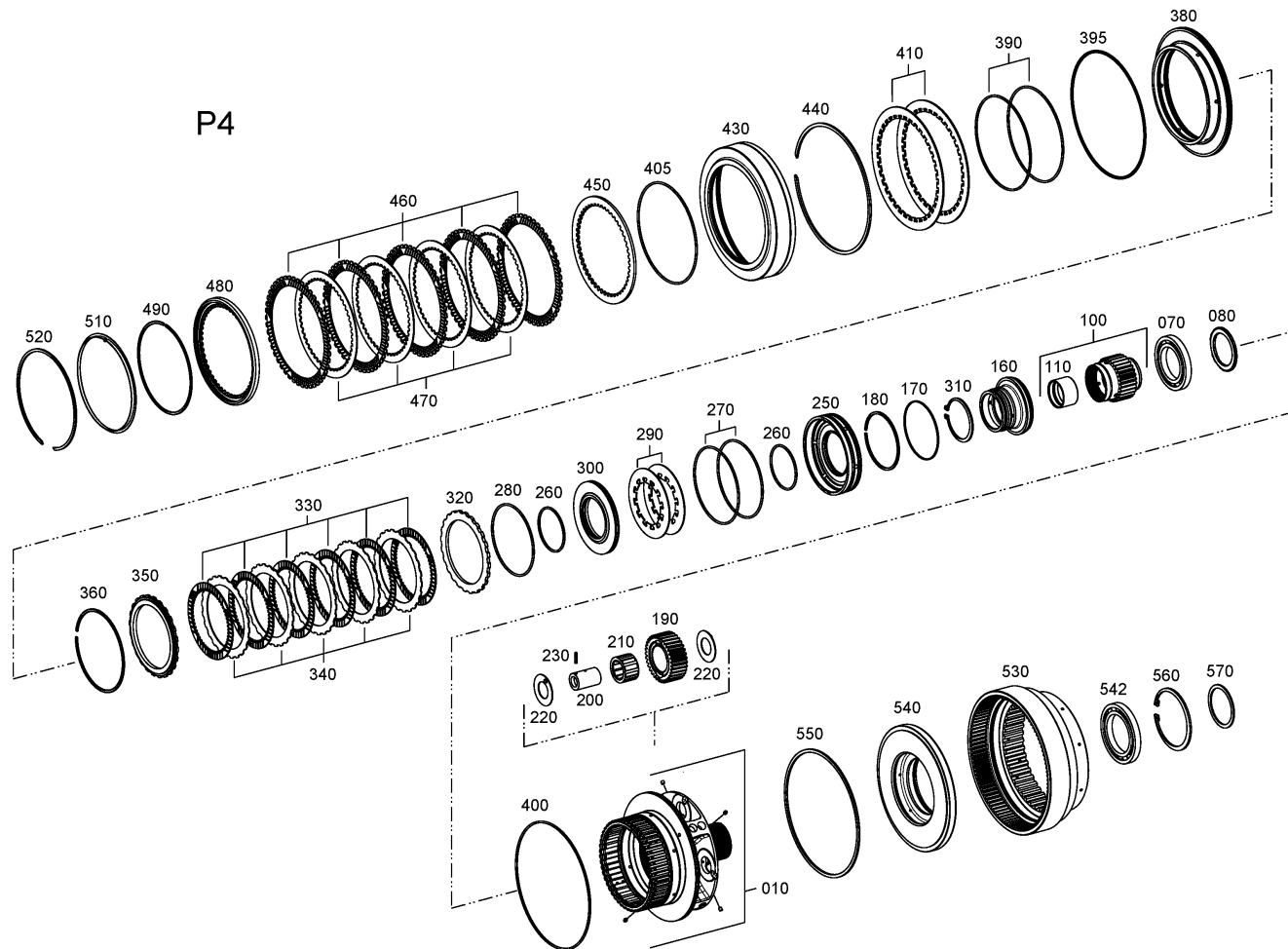
Material number: 2099.040.016

Picture: 209217108400

Material-assembly-group-no: 2092.171.084



TMT 32 /
PLANETARY DRIVE



Picture

Page 1 from 1

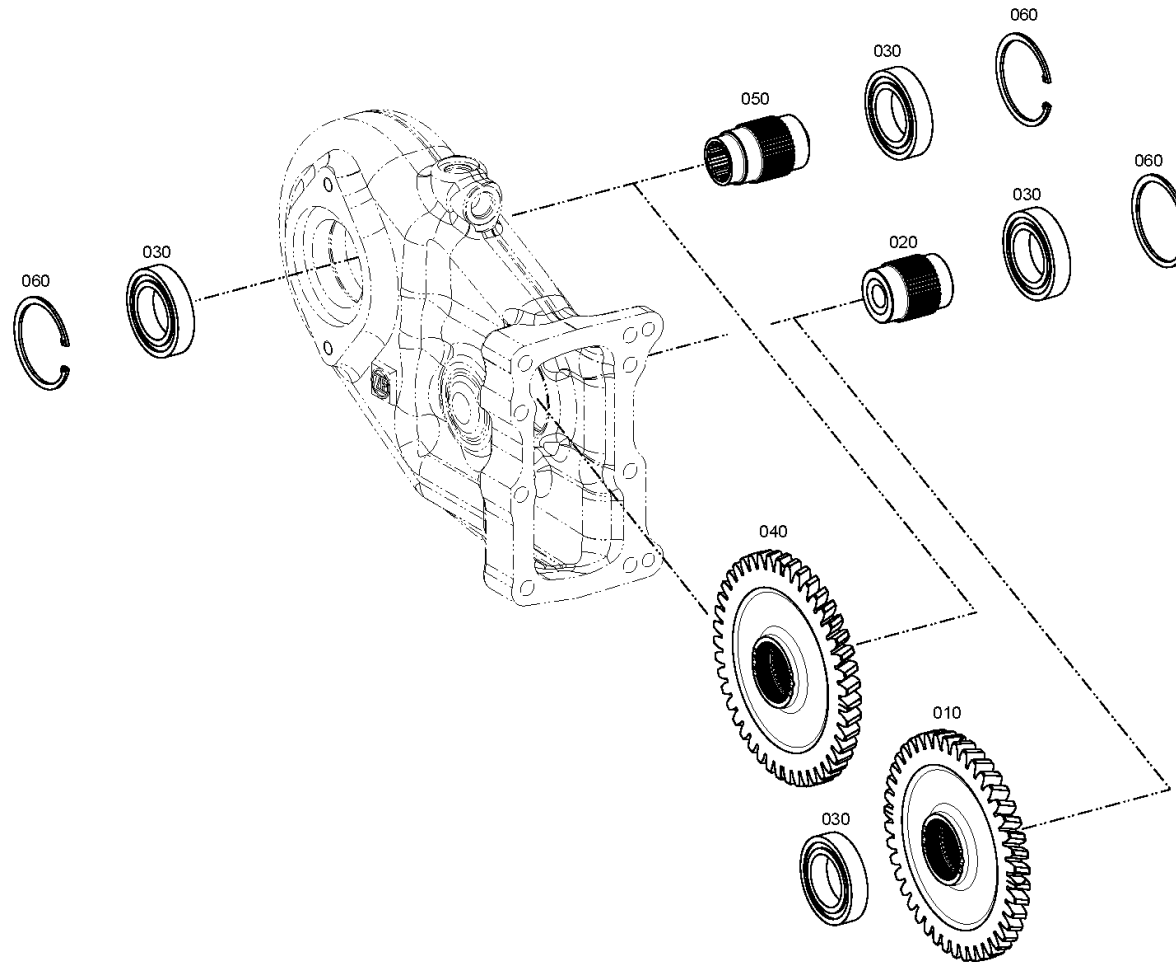
Material number: 2099.040.016

Picture: 209912200300

Material-assembly-group-no: 2099.122.003



TMT 32 /
PUMP DRIVE



Picture

Page 1 from 1

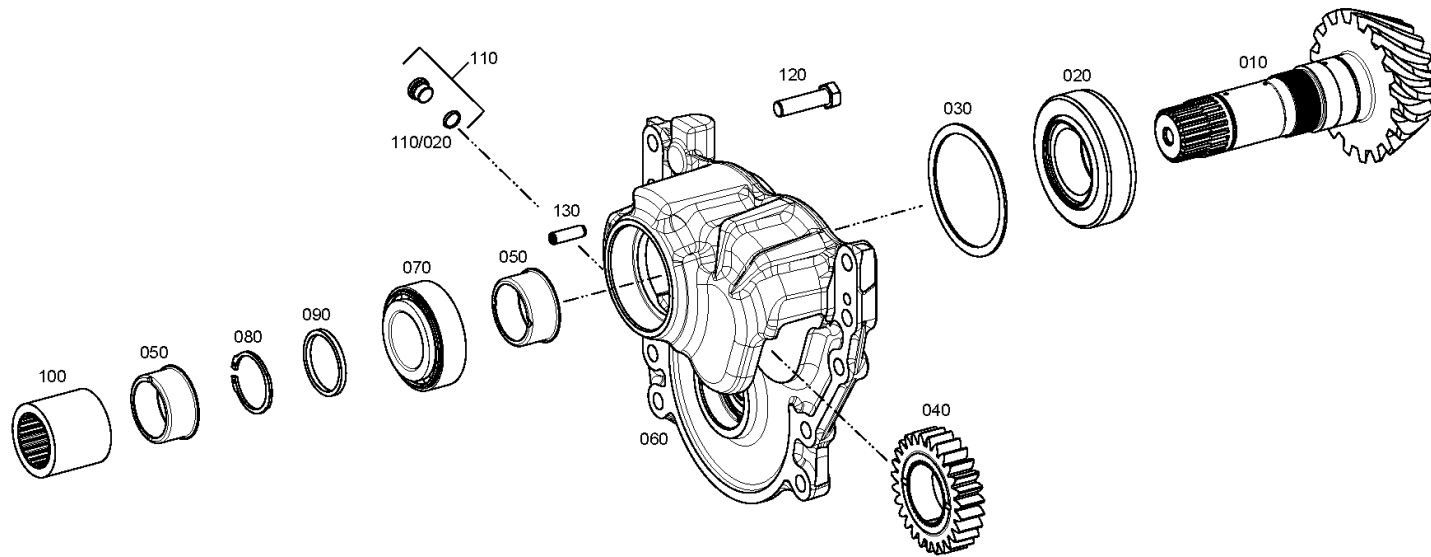
Material number: 2099.040.016

Picture: 209917400400

Material-assembly-group-no: 2099.174.004



TMT 32 /
OUTPUT



Picture

Page 1 from 2

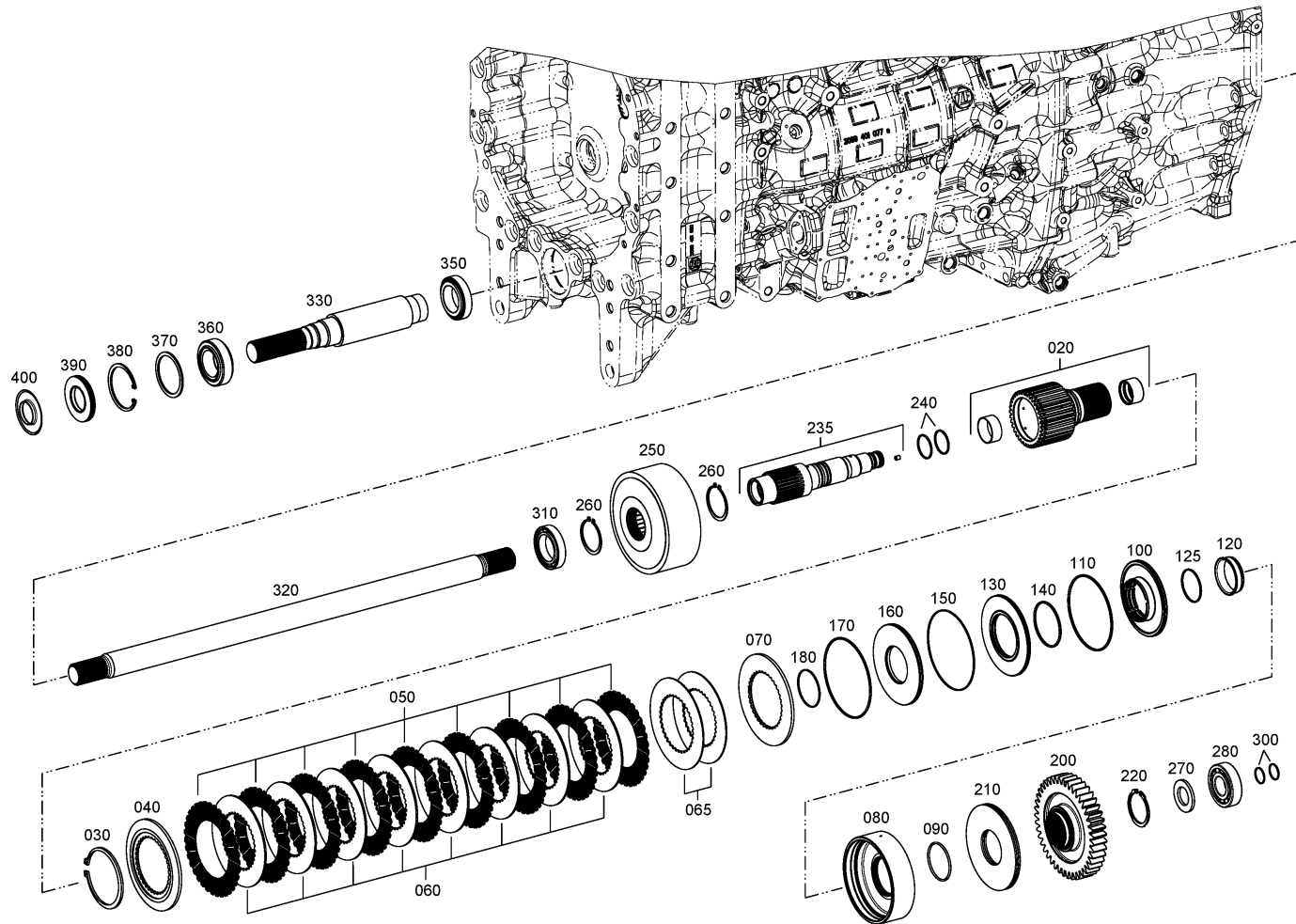
Material number: 2099.040.016

Picture: 209914607200

Material-assembly-group-no: 2099.146.072



TMT 32 /
FRONT WHEEL DRIVE



Picture

Page 2 from 2

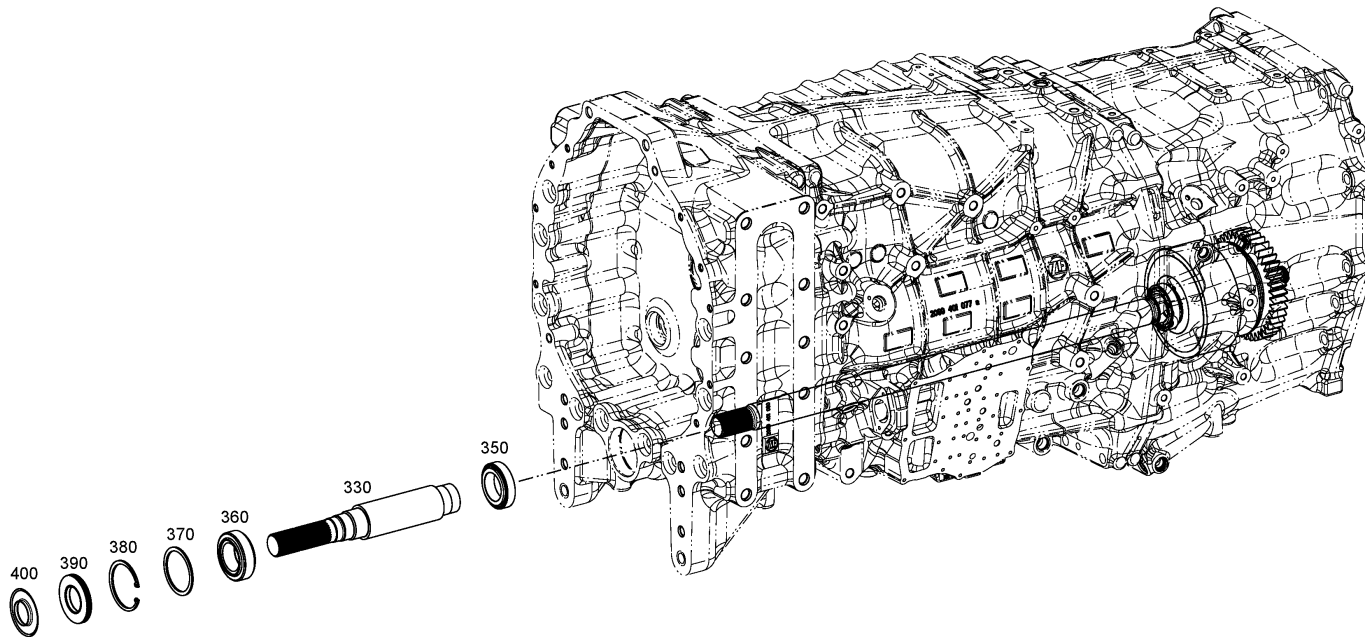
Material number: 2099.040.016

Picture: 209914607280

Material-assembly-group-no: 2099.146.072



TMT 32 /
FRONT WHEEL DRIVE



Picture

Page 1 from 1

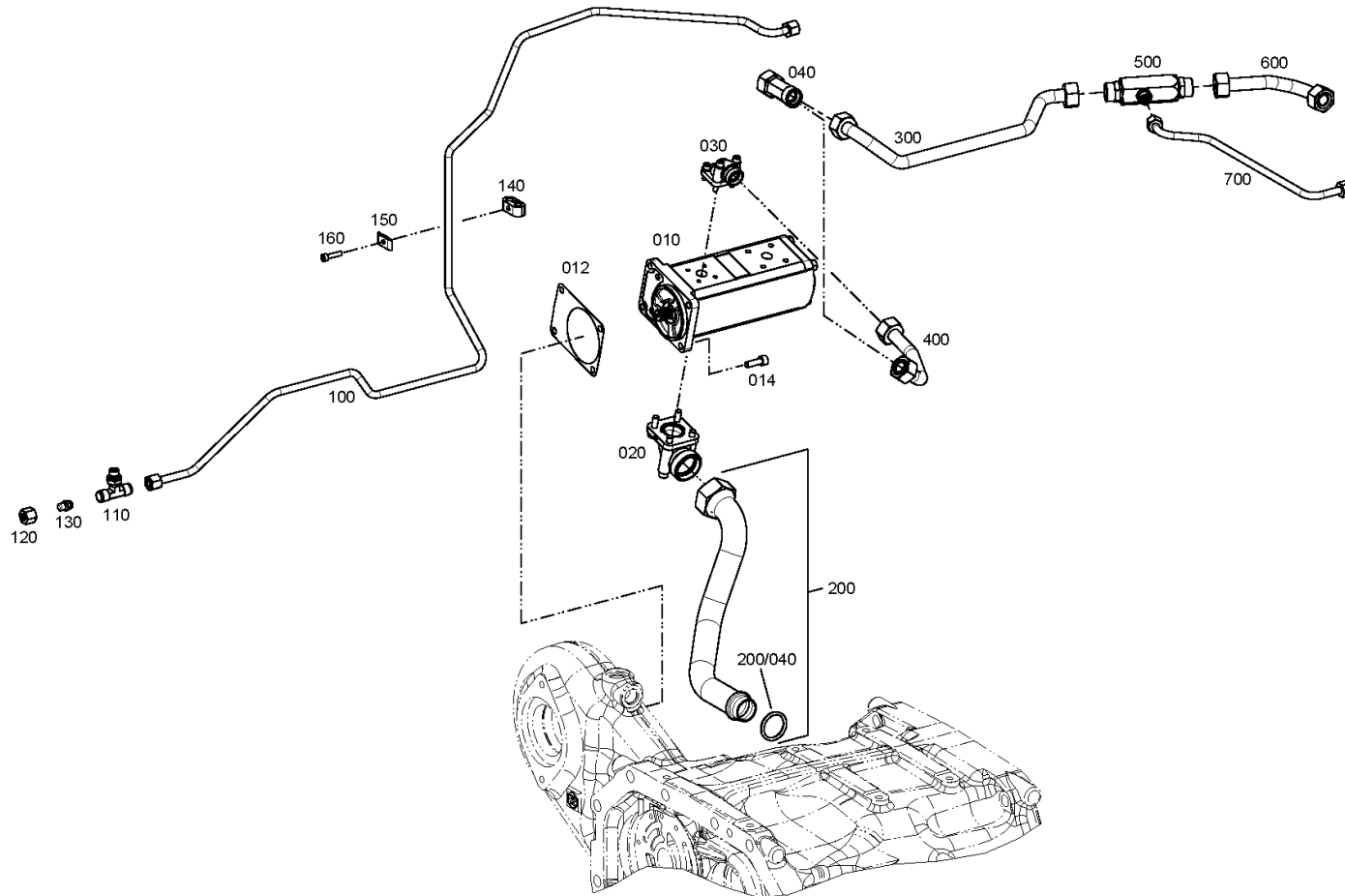
Material number: 2099.040.016

Picture: 209914700700

Material-assembly-group-no: 2099.147.007



TMT 32 /
OIL SUPPLY



Picture

Page 1 from 1

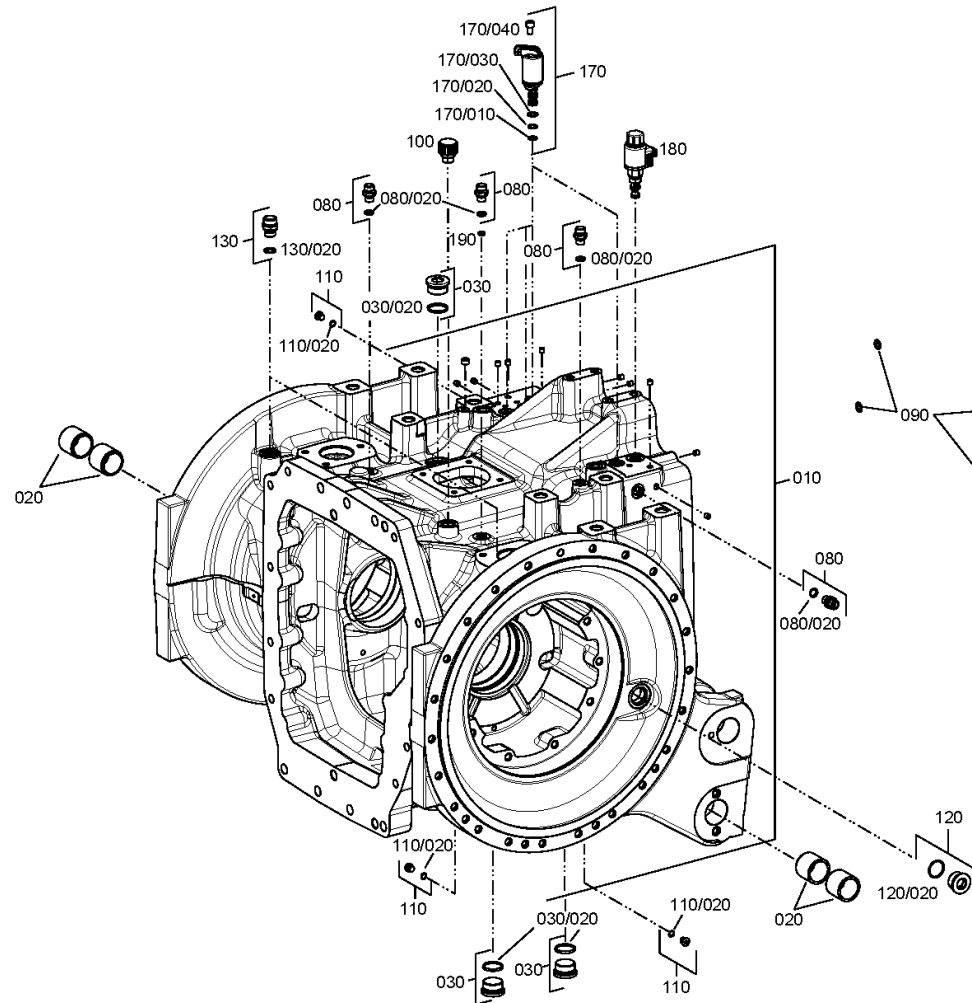
Material number: 2099.090.008

Picture: 209911701000

Material-assembly-group-no: 2099.117.010



TMT 32 /
REAR AXLE HOUS.



Picture

Page 1 from 1

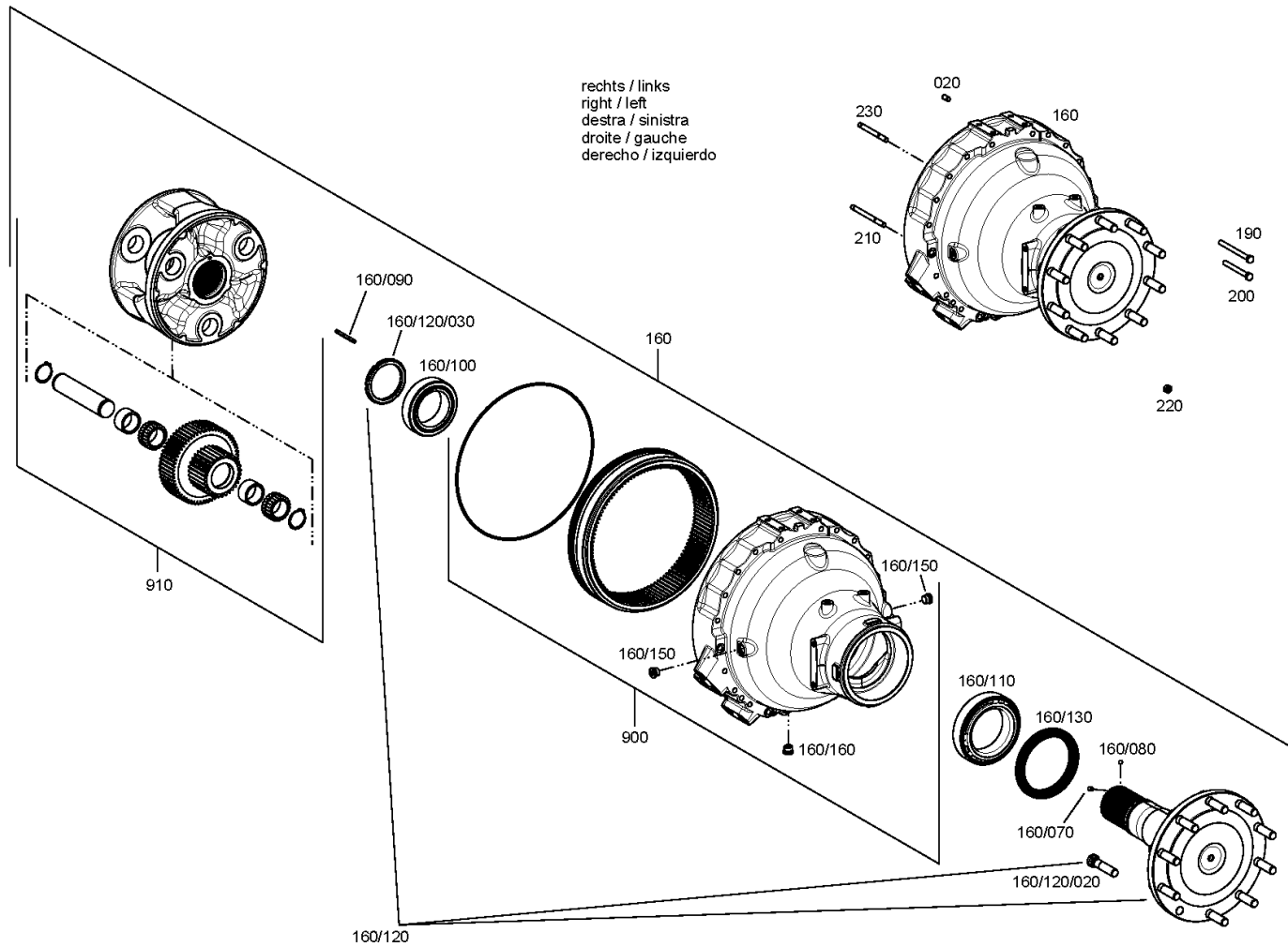
Material number: 2099.090.008

Picture: 209911101900

OUTPUT



TMT 32 /
OUTPUT



Picture

Page 1 from 1

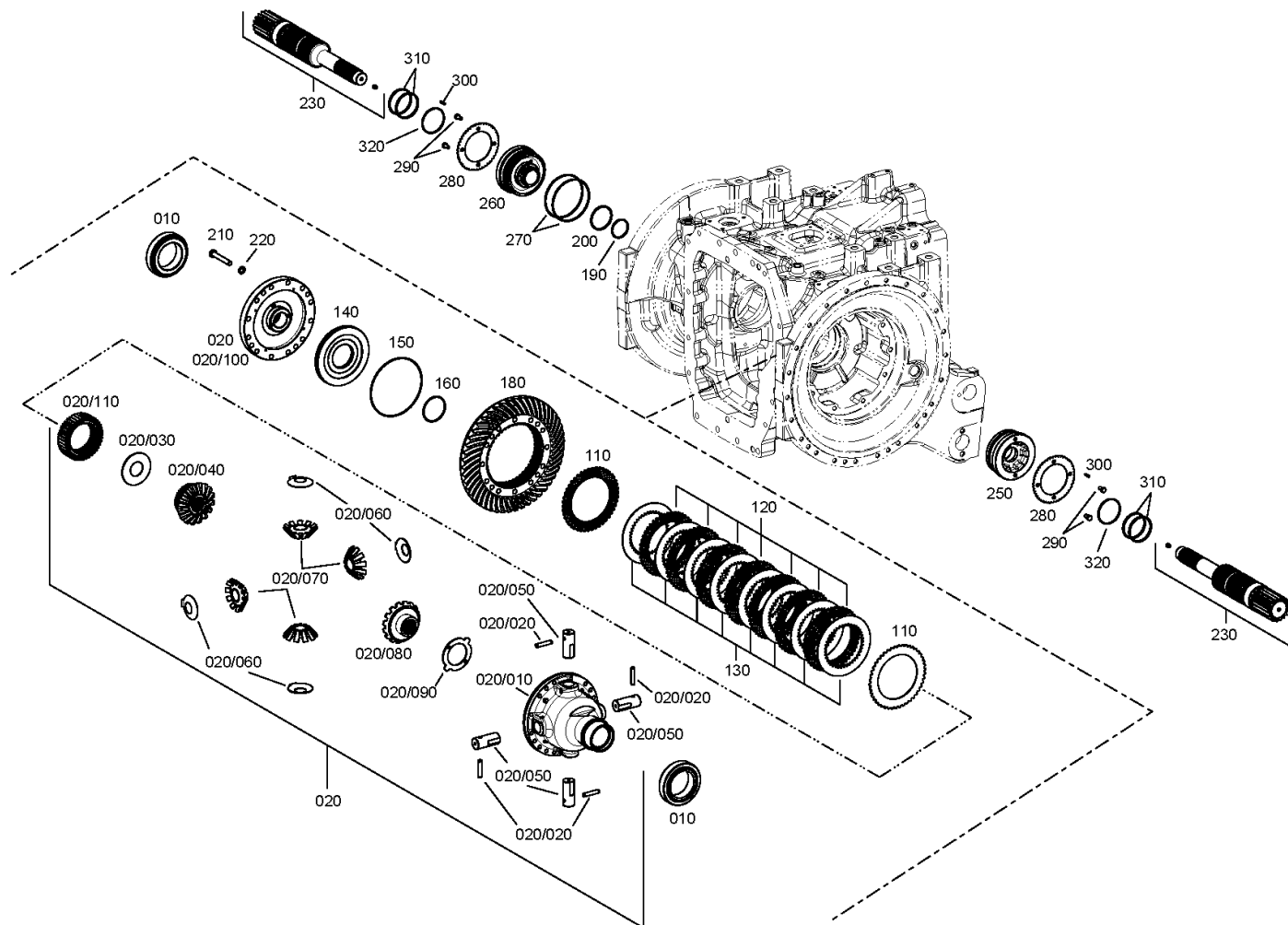
Material number: 2099.090.008

Picture: 209910901500

Material-assembly-group-no: 2099.109.015



TMT 32 /
DIFFERENTIAL



Picture

Page 1 from 2

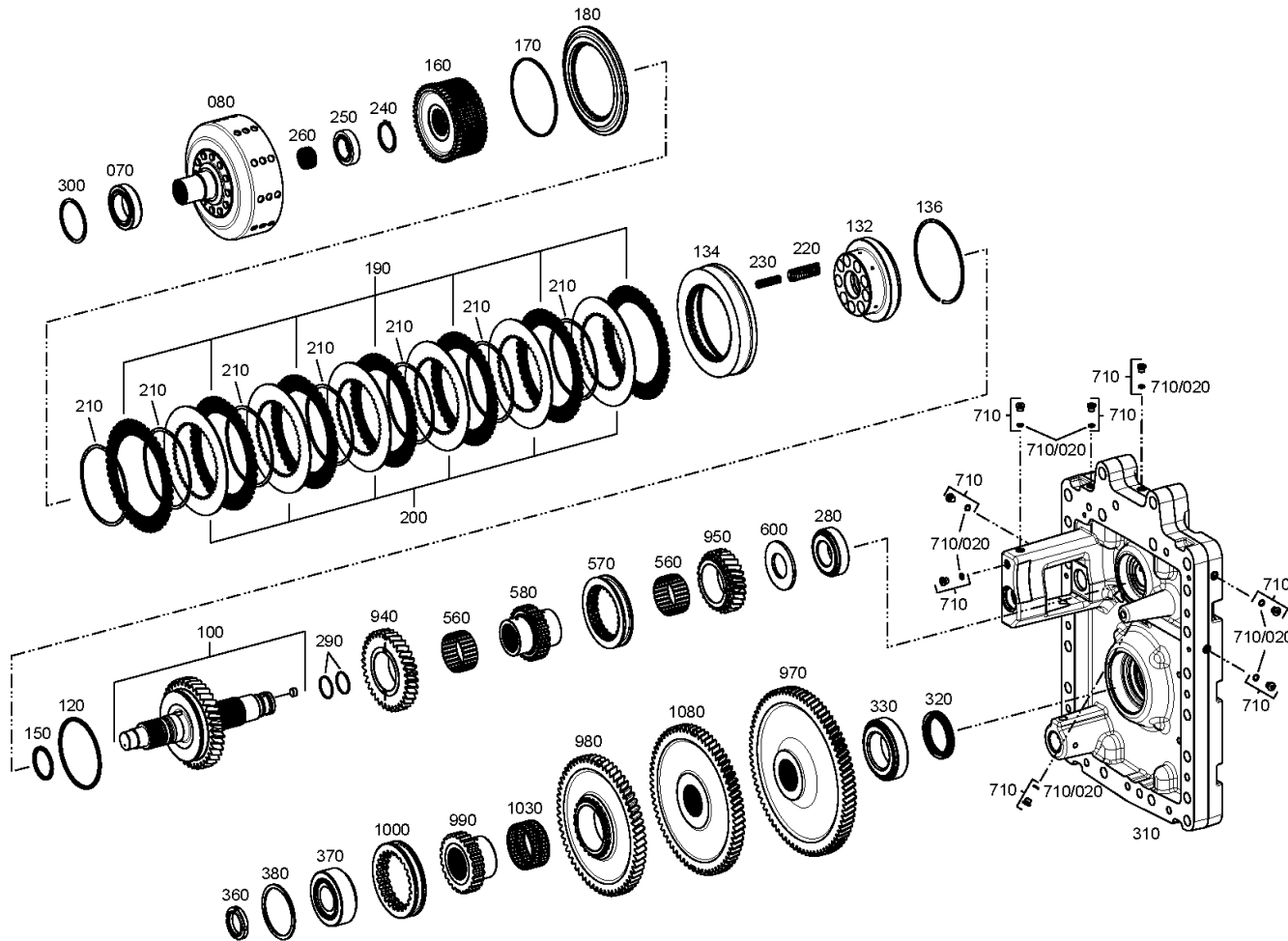
Material number: 2099.090.008

Picture: 209911005801

Material-assembly-group-no: 2099.110.058



TMT 32 /
P.T.O. SHAFT



Picture

Page 2 from 2

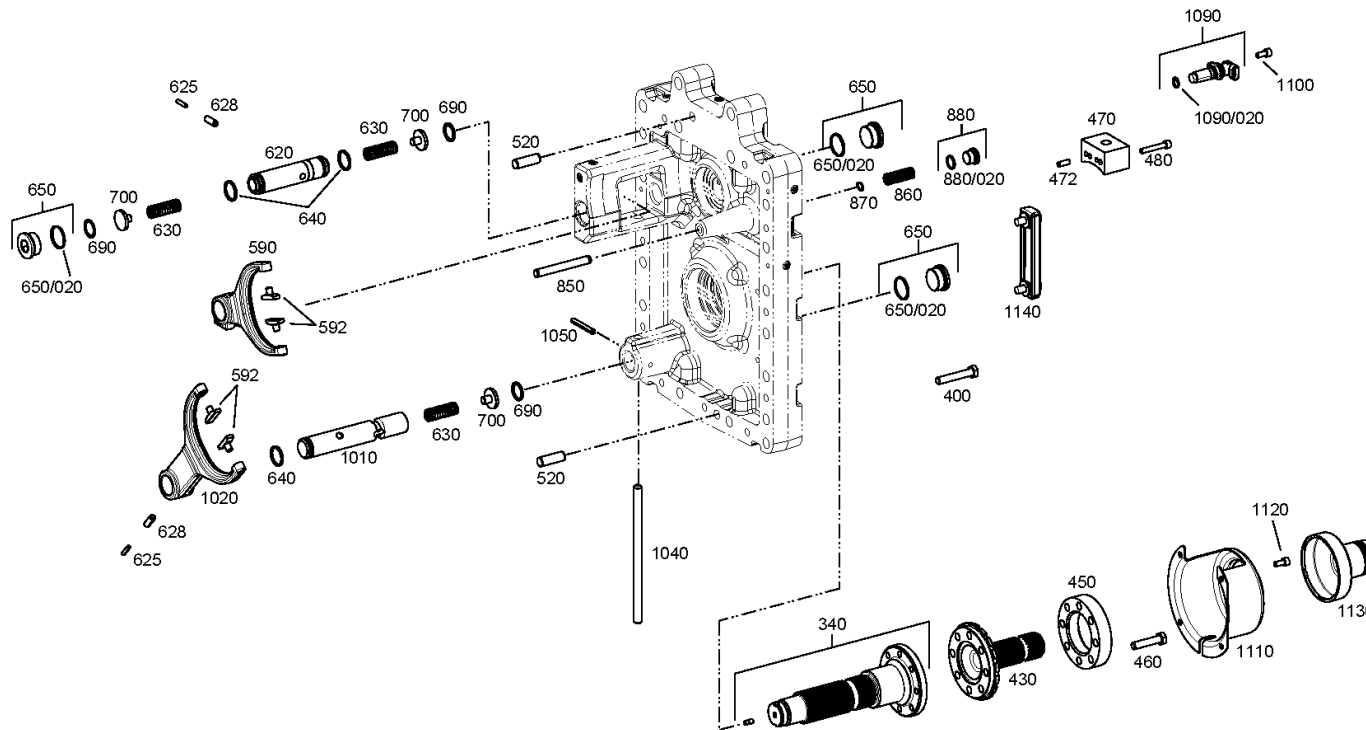
Material number: 2099.090.008

Picture: 209911005802

Material-assembly-group-no: 2099.110.058



TMT 32 /
P.T.O. SHAFT



Picture

Page 1 from 1

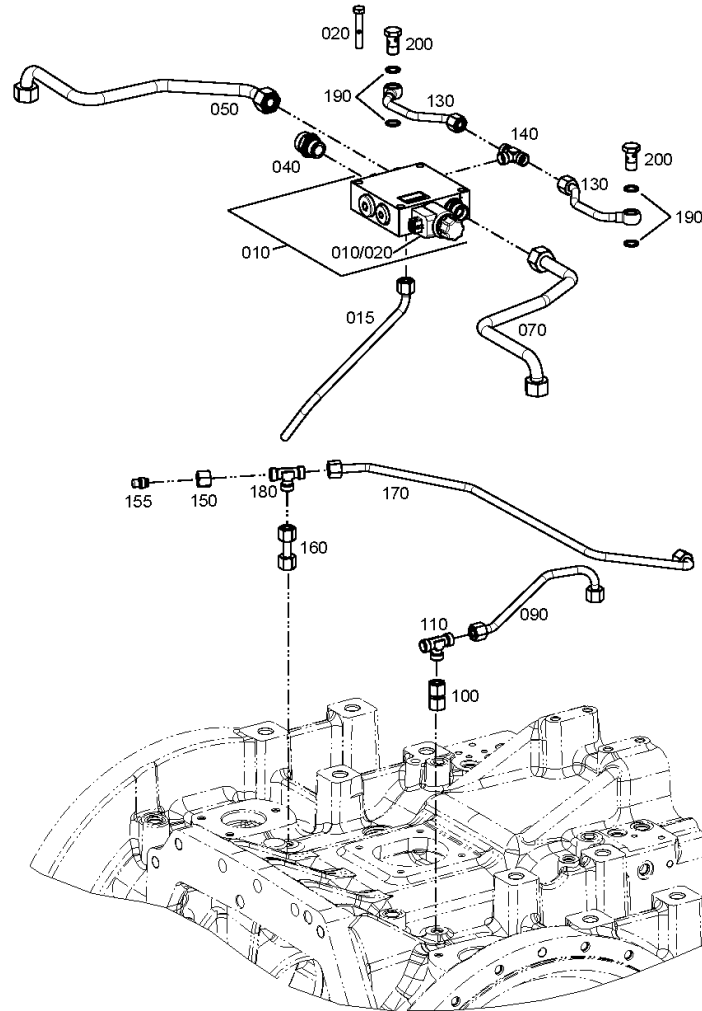
Material number: 2099.090.008

Picture: 209914701000

Material-assembly-group-no: 2099.147.010



TMT 32 /
OIL SUPPLY



Picture

Page 1 from 1

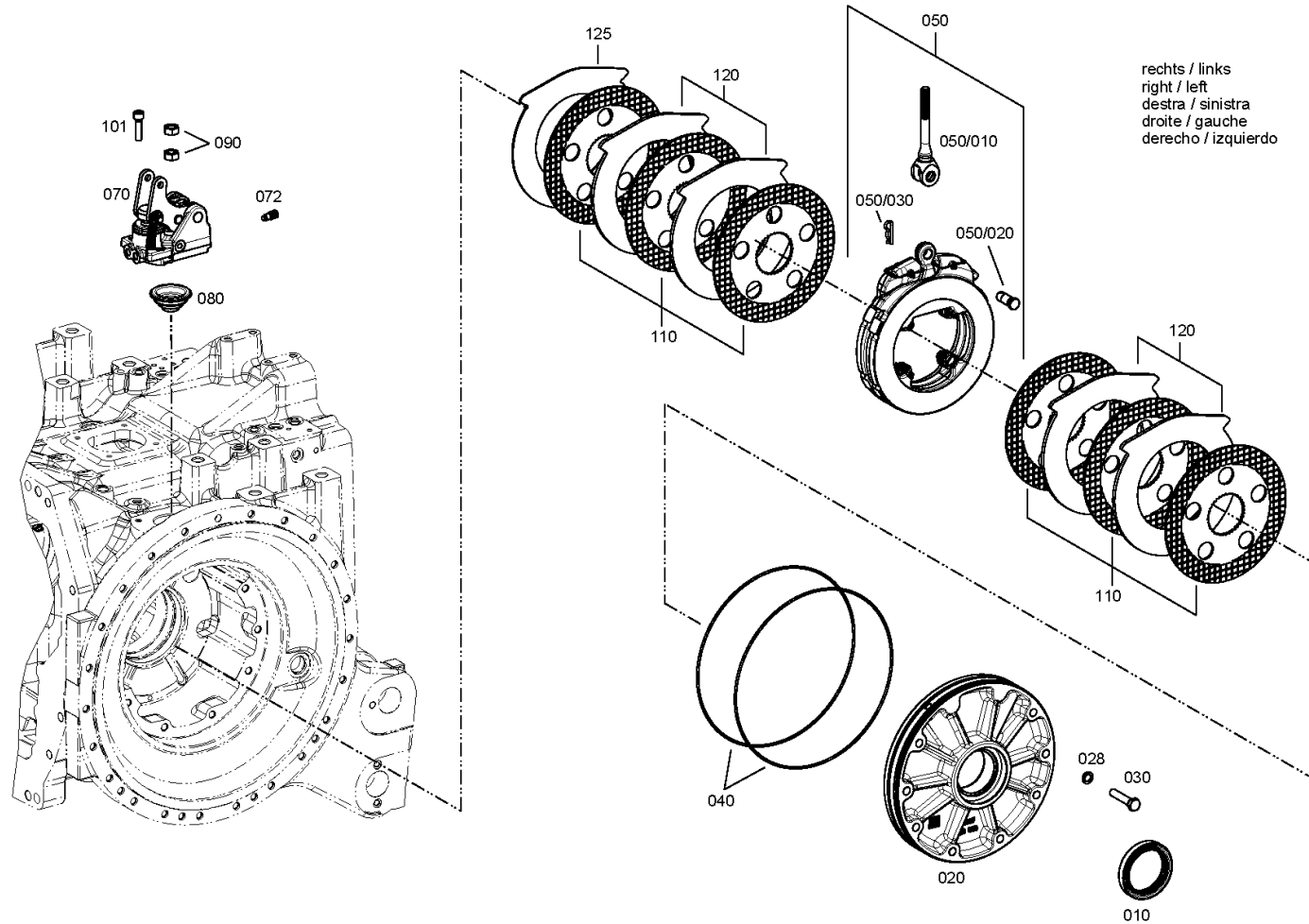
Material number: 2099.090.008

Picture: 209912401500

Material-assembly-group-no: 2099.124.015



TMT 32 /
BRAKE



Picture

Page 1 from 1

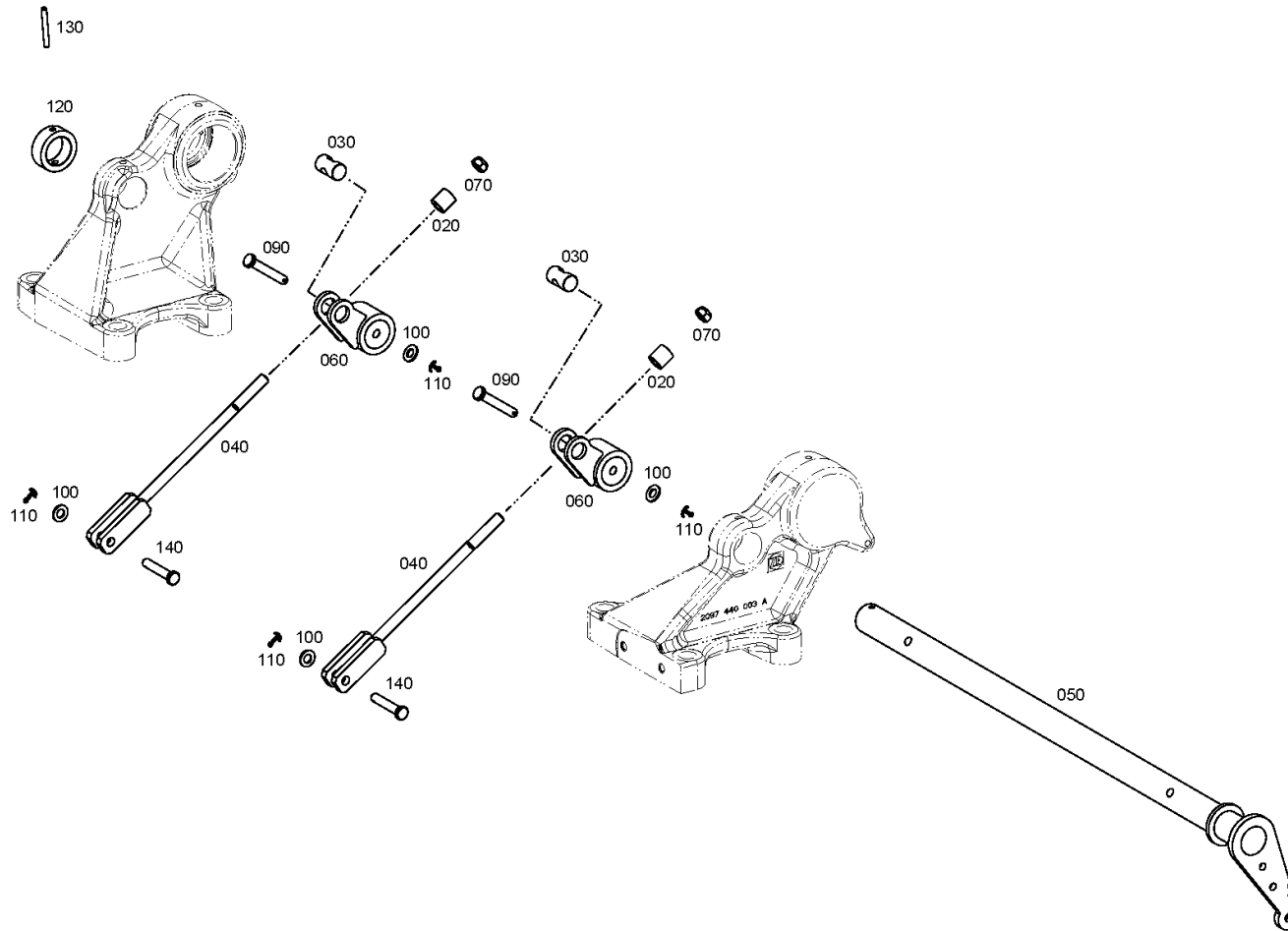
Material number: 2099.090.008

Picture: 209912900200

Material-assembly-group-no: 2099.129.002



TMT 32 /
BRAKE SHAFT



Picture

Page 1 from 1

Material number: 2099.090.008

Picture: 209914000300

Material-assembly-group-no: 2099.140.003



TMT 32 /
HOISTING UNIT

