



Spare Parts Catalog

S 1050

Material number: 2396.095.064

Current date: 07.09.2023

ZF Friedrichshafen AG
Hauptverwaltung
80038 Friedrichshafen
Deutschland

Telefon: +49 7541 77-0

Telefax: +49 7541 77-908000

www.zf.com

zuständiges Werk:
Passau

Notes relating to the spare parts catalog

Setup of the spare parts catalog

- Cover sheet
- Technical Cover (only in SDM print)
- Overview of figures
- Figure
- Associated parts list
- Next figure
- Associated parts list
- ...

Figure and parts list



Overview of figures

| Bildtafel Figure | Sachnummer Product number | Benennung (Description) | Technische Info Technical info | Description (Benennung) | Menge Quantity | Einheit Unit |
|---------------------|------------------------------|----------------------------|-----------------------------------|----------------------------|-------------------|-----------------|
| 068.08.17 | 1316.170.001 | AUSLEGER | WL | SHIFT TURRET | 1 | Stk |
| 068.08.06 | 1316.170.031 | DECKEL | WL*H-H *VM | COVER | 1 | Stk |
| 068.08.14 | 1316.170.808 | DECKEL | WL*AUSL+GEH*H-H*HF160N | COVER | 1 | Stk |
| 08 | 1316.170.441 | ANSCHLUSSTEILE | WL*NG-VORB*RG-SCHL*168N *BAJONETT | CONNECTING PARTS | 1 | Stk |

The "gap" indicates that there is no separate graphics panel (poster) for this assembly
The parts of this assembly are shown with the same mid-section number on the figure

1 Positions and subpositions

| Pos. | Sachnummer Product number | Benennung (Description) | Technische Info Technical info | Description (Benennung) | Menge Quantity | Einheit Unit |
|-------|------------------------------|----------------------------|-----------------------------------|----------------------------|-------------------|-----------------|
| 0370 | 1315.201.054 | RUECKLAUFBOLZEN | KPL.16S151*SG*L= 79 | REV.IDLER SHAFT | 1 | Stk |
| /0120 | 0631.329.293 | SPANNSTIFT | | SLOT. PIN | 1 | Stk |

Positions marked with "/" are the individual items of a completion
For example: Position 0370 contains a centering pin with the position /0120

2 Combinations with standardized parts

| Pos. | Sachnummer Product number | Benennung (Description) | Technische Info Technical info | Description (Benennung) | Menge Quantity | Einheit Unit |
|------|------------------------------|----------------------------|-----------------------------------|----------------------------|-------------------|-----------------|
| 0630 | | VERSCHL.SCHR. | | SCREW PLUG | 1 | Stk |
| | 0636.302.067 | VERSCHL.SCHR. | | SCREW PLUG | 1 | Stk |
| | 0634.801.249 | DICHTRING | A 26 X 31 | SEALING RING | 1 | Stk |

The parts list shows the components included in the combination of standardized parts

3 Depiction of position/item number on the figure and in the parts list

01.620 - on the figure 01 relates to the assembly in which the position is included. Due to program-related reasons, it is shown on the figure.

0620 - in the parts list

| Pos. | Sachnummer Product number | Benennung (Description) | Technische Info Technical info | Description (Benennung) | Menge Quantity | Einheit Unit |
|------|------------------------------|----------------------------|-----------------------------------|----------------------------|-------------------|-----------------|
| 0620 | 0732.040.736 | DRUCKFEDER | | COMPRESSION SPRING | 1 | Stk |

4 *-Positions

Positions marked with an * are optional i.e. inclusion in the parts list is not mandatory.
The following note is shown on the figure

je nach Stücklistenausführung
depending on spec. number
*
suivant la nomenclature
secondo la distinta base

5 Parts, dotted display

Parts with dotted display on the figure are only used for orientation of other parts

Assembly group overview

Page 1 from 1

Material number: 2396.095.064



S 1050 /

| Picture | Pos. | Material number | Name | Quantity | Amend. no. | Techn. Info. |
|------------------|------|-----------------|--------------------|----------|------------|--------------|
| 0092101070 00 | 10 | 0092.101.070 | HOUSING | 1 | | |
| 0092102075 00 | 20 | 0092.102.075 | INPUT SHAFT | 1 | | |
| 0092103425 00 | 40 | 0092.103.425 | INTERMEDIATE SHAFT | 1 | | |
| 0092111023 00 | 60 | 0092.111.023 | OUTPUT SHAFT | 1 | | |

Picture

Page 1 from 1

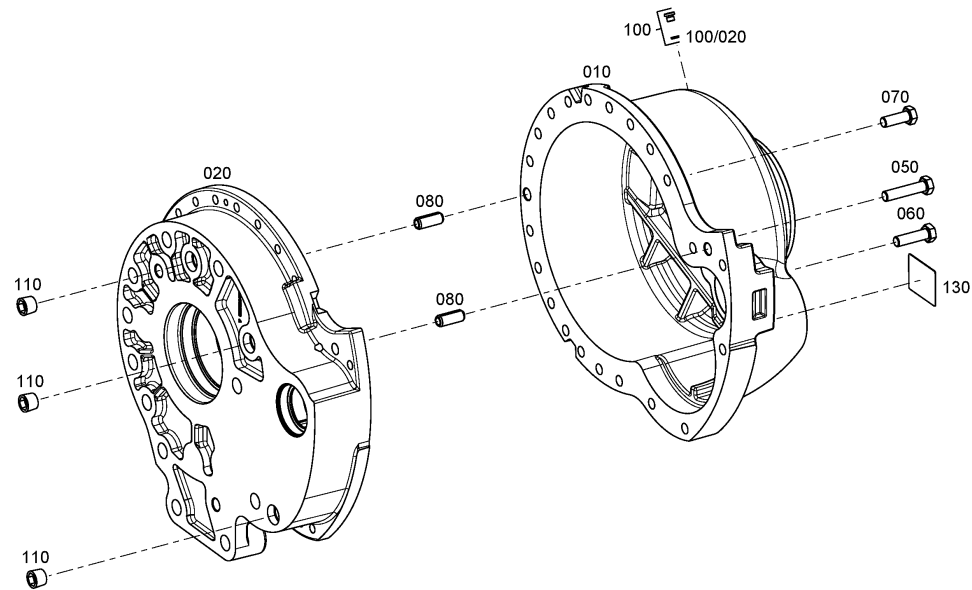
Material number: 2396.095.064

Picture: 009210107000

Material-assembly-group-no: 0092.101.070



S 1050 /
HOUSING



Picture

Page 1 from 1

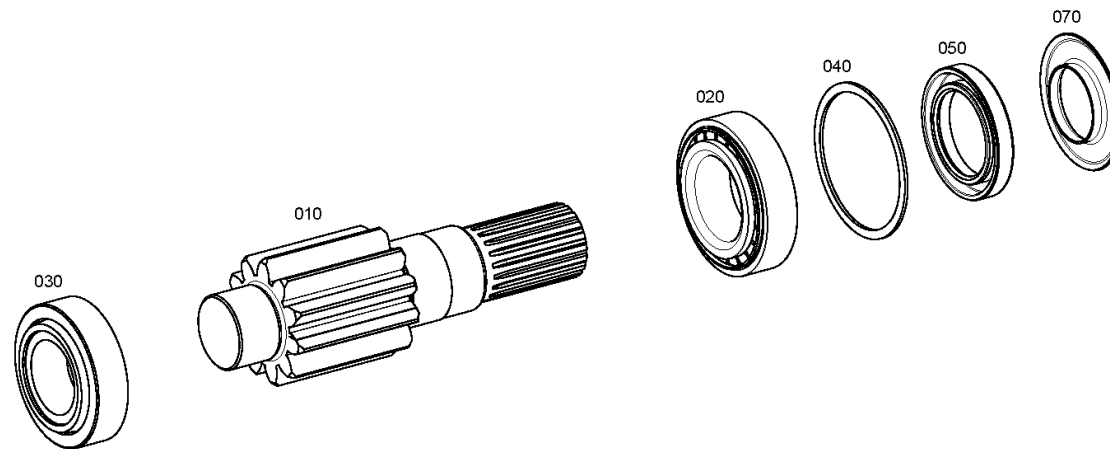
Material number: 2396.095.064

Picture: 009210207500

Material-assembly-group-no: 0092.102.075



S 1050 /
INPUT SHAFT



Picture

Page 1 from 1

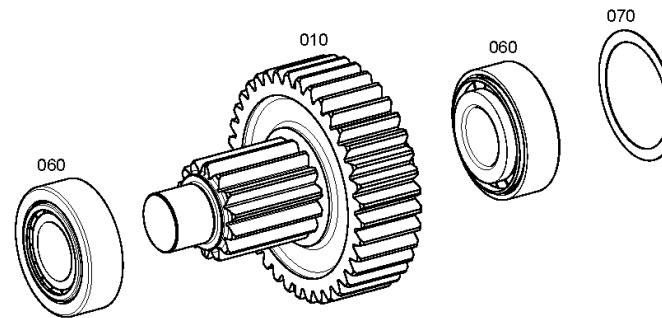
Material number: 2396.095.064

Picture: 009210342500

Material-assembly-group-no: 0092.103.425



S 1050 /
INTERMEDIATE SHAFT



Picture

Page 1 from 1

Material number: 2396.095.064

Picture: 009211102300

Material-assembly-group-no: 0092.111.023



S 1050 /
OUTPUT SHAFT

