



Spare Parts Catalog

3 MD 40/S 1050

Material number: 2396.095.076

Current date: 06.07.2023

ZF Friedrichshafen AG
Hauptverwaltung
80038 Friedrichshafen
Deutschland

Telefon: +49 7541 77-0

Telefax: +49 7541 77-908000

www.zf.com

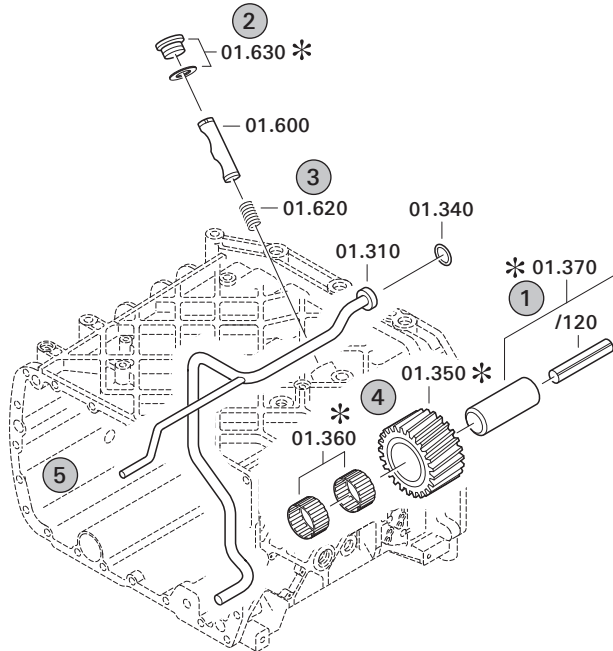
zuständiges Werk:
Passau

Notes relating to the spare parts catalog

Setup of the spare parts catalog

- Cover sheet
- Technical Cover (only in SDM print)
- Overview of figures
- Figure
- Associated parts list
- Next figure
- Associated parts list
- ...

Figure and parts list



Overview of figures

Bildtafel Figure	Sachnummer Product number	Benennung (Description)	Technische Info Technical info	Description (Benennung)	Menge Quantity	Einheit Unit
068.08.17	1316.170.001	AUSLEGER	WL	SHIFT TURRET	1	Stk
068.08.06	1316.170.031	DECKEL	WL*H-H *VM	COVER	1	Stk
068.08.14	1316.170.808	DECKEL	WL*AUSL+GEH*H-H*HF160N	COVER	1	Stk
08	1316.170.441	ANSCHLUSSTEILE	WL*NG-VORB*RG-SCHL*168N *BAJONETT	CONNECTING PARTS	1	Stk

The "gap" indicates that there is no separate graphics panel (poster) for this assembly
The parts of this assembly are shown with the same mid-section number on the figure

1 Positions and subpositions

Pos.	Sachnummer Product number	Benennung (Description)	Technische Info Technical info	Description (Benennung)	Menge Quantity	Einheit Unit
0370	1315.201.054	RUECKLAUFBOLZEN	KPL.16S151*SG*L= 79	REV.IDLER SHAFT	1	Stk
/0120	0631.329.293	SPANNSTIFT		SLOT. PIN	1	Stk

Positions marked with "/" are the individual items of a completion
For example: Position 0370 contains a centering pin with the position /0120

2 Combinations with standardized parts

Pos.	Sachnummer Product number	Benennung (Description)	Technische Info Technical info	Description (Benennung)	Menge Quantity	Einheit Unit
0630		VERSCHL.SCHR.		SCREW PLUG	1	Stk
	0636.302.067	VERSCHL.SCHR.		SCREW PLUG	1	Stk
	0634.801.249	DICHTRING	A 26 X 31	SEALING RING	1	Stk

The parts list shows the components included in the combination of standardized parts

3 Depiction of position/item number on the figure and in the parts list

01.620 - on the figure 01 relates to the assembly in which the position is included. Due to program-related reasons, it is shown on the figure.

0620 - in the parts list

Pos.	Sachnummer Product number	Benennung (Description)	Technische Info Technical info	Description (Benennung)	Menge Quantity	Einheit Unit
0620	0732.040.736	DRUCKFEDER		COMPRESSION SPRING	1	Stk

4 *-Positions

Positions marked with an * are optional i.e. inclusion in the parts list is not mandatory.
The following note is shown on the figure

je nach Stücklistenausführung
depending on spec. number
*
suivant la nomenclature
secondo la distinta base

5 Parts, dotted display

Parts with dotted display on the figure are only used for orientation of other parts

Assembly group overview

Page 1 from 1



Material number: 2396.095.076

3 MD 40/S 1050 /

Picture	Pos.	Material number	Name	Quantity	Amend. no.	Techn. Info.
	10	2373.095.104	3 MD 40	1		
	20	2396.095.064	S 1050	1		
	50	2396.095.065	S 1050	1		
0092199074 00	80	0092.199.074	LOOSE PARTS	1		

Picture

Page 1 from 1

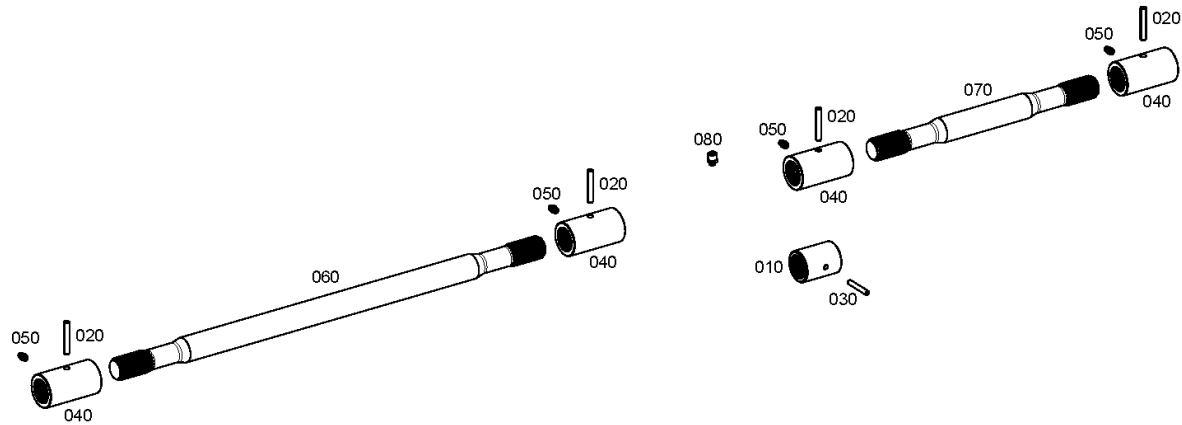
Material number: 2396.095.076

Picture: 009219907400

Material-assembly-group-no: 0092.199.074



3 MD 40/S 1050 /
LOOSE PARTS



Picture

Page 1 from 1

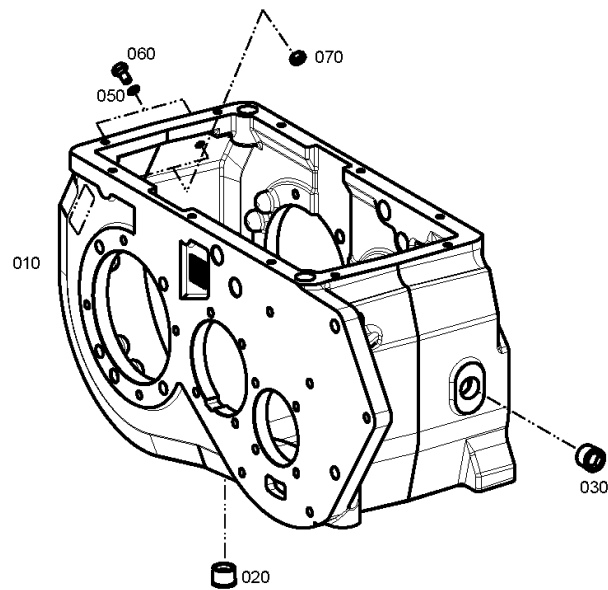
Material number: 2373.095.104

Picture: 009210106900

Material-assembly-group-no: 0092.101.069



3 MD 40/S 1050 /
TRANSMISSION HOUSING



Picture

Page 1 from 1

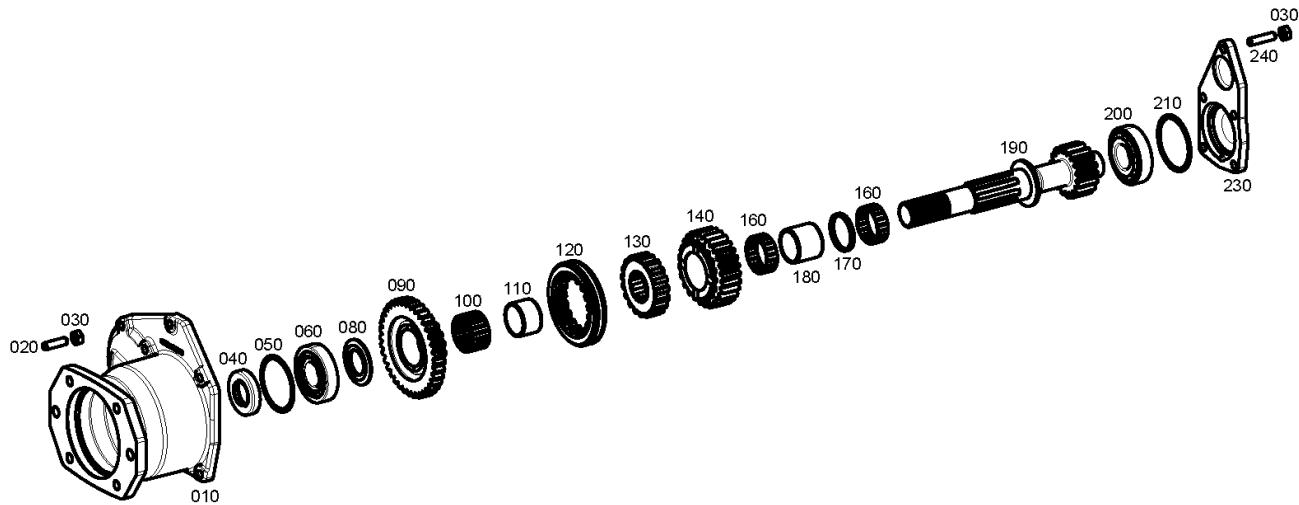
Material number: 2373.095.104

Picture: 009210207800

Material-assembly-group-no: 0092.102.078



3 MD 40/S 1050 /
INPUT SHAFT



Picture

Page 1 from 1

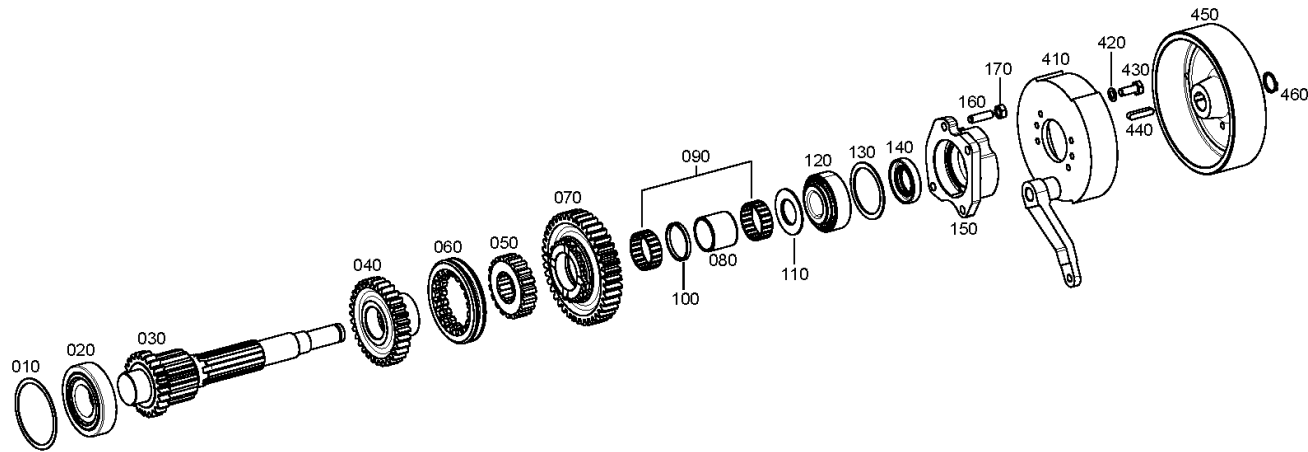
Material number: 2373.095.104

Picture: 009210308400

Material-assembly-group-no: 0092.103.084



3 MD 40/S 1050 /
INTERMEDIATE SHAFT



Picture

Page 1 from 3

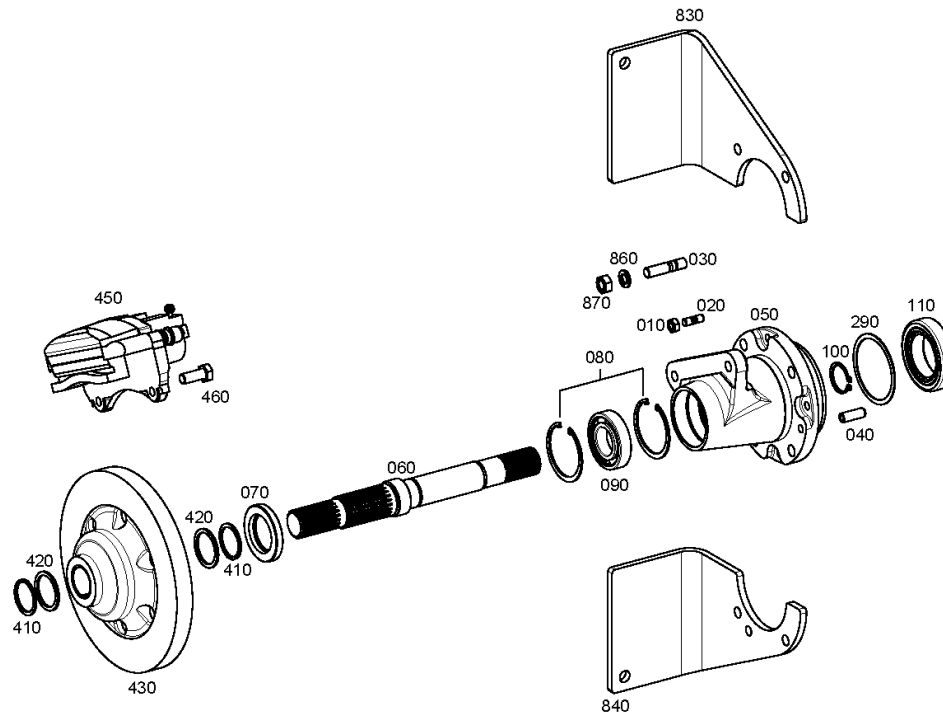
Material number: 2373.095.104

Picture: 009210905301

Material-assembly-group-no: 0092.109.063



3 MD 40/S 1050 /
DIFFERENTIAL



Picture

Page 2 from 3

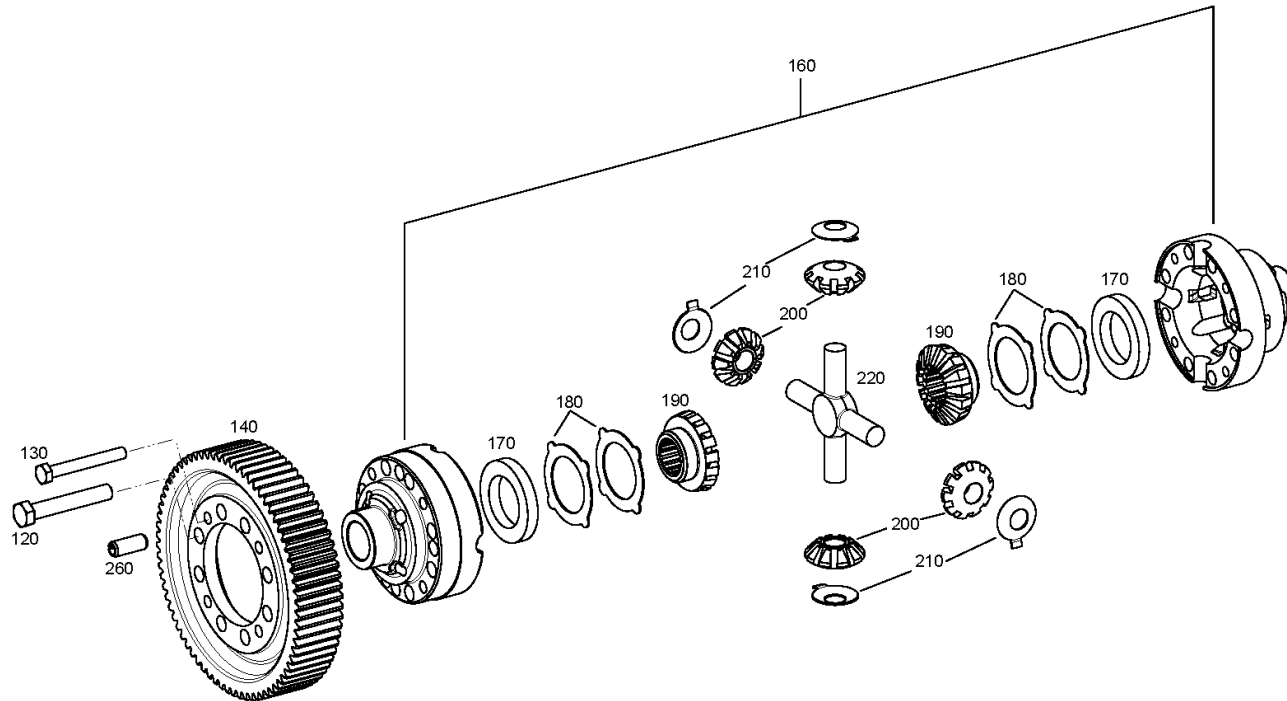
Material number: 2373.095.104

Picture: 009210905302

Material-assembly-group-no: 0092.109.063



3 MD 40/S 1050 /
DIFFERENTIAL



Picture

Page 3 from 3

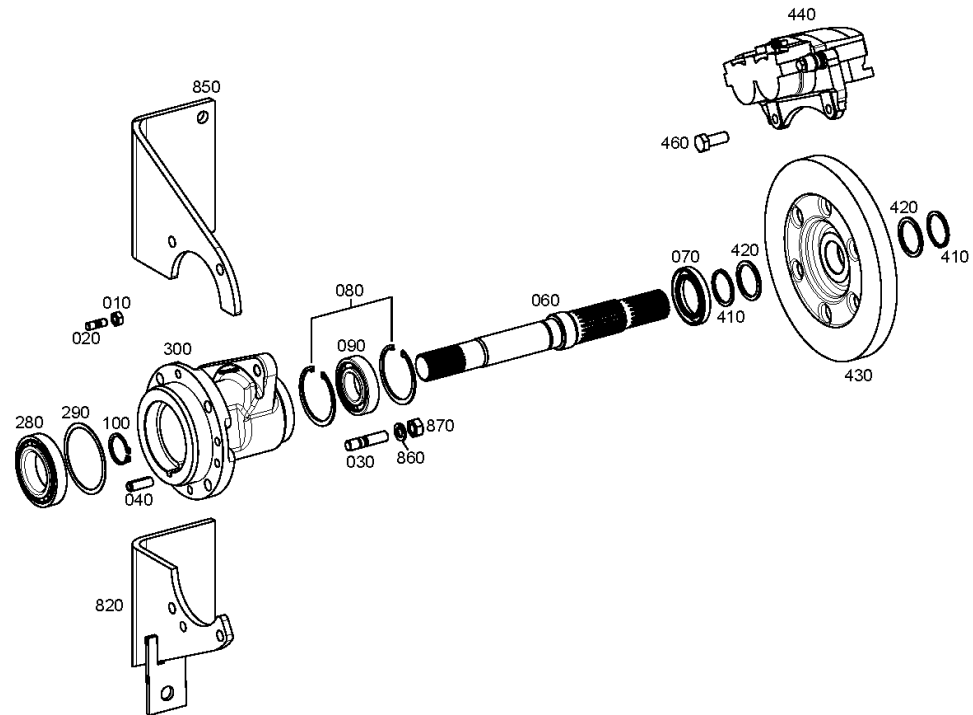
Material number: 2373.095.104

Picture: 009210905303

Material-assembly-group-no: 0092.109.063



3 MD 40/S 1050 /
DIFFERENTIAL



Picture

Page 1 from 1

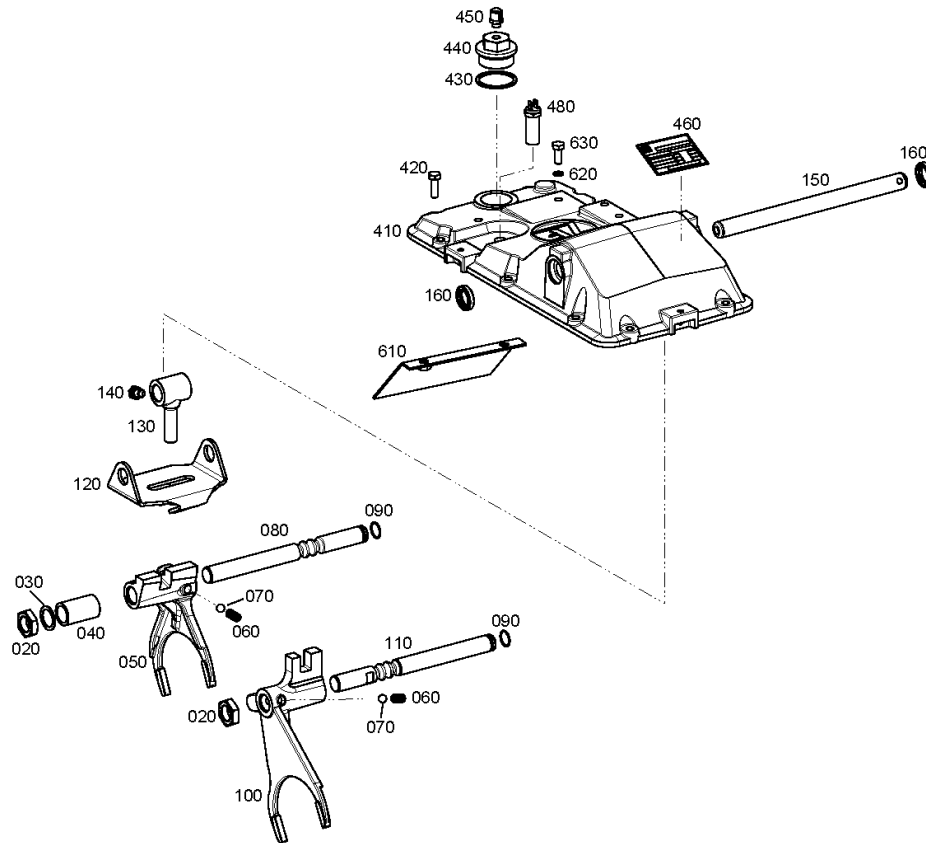
Material number: 2373.095.104

Picture: 009210604900

Material-assembly-group-no: 0092.106.049



3 MD 40/S 1050 /
SHIFT SYSTEM



Picture

Page 1 from 1

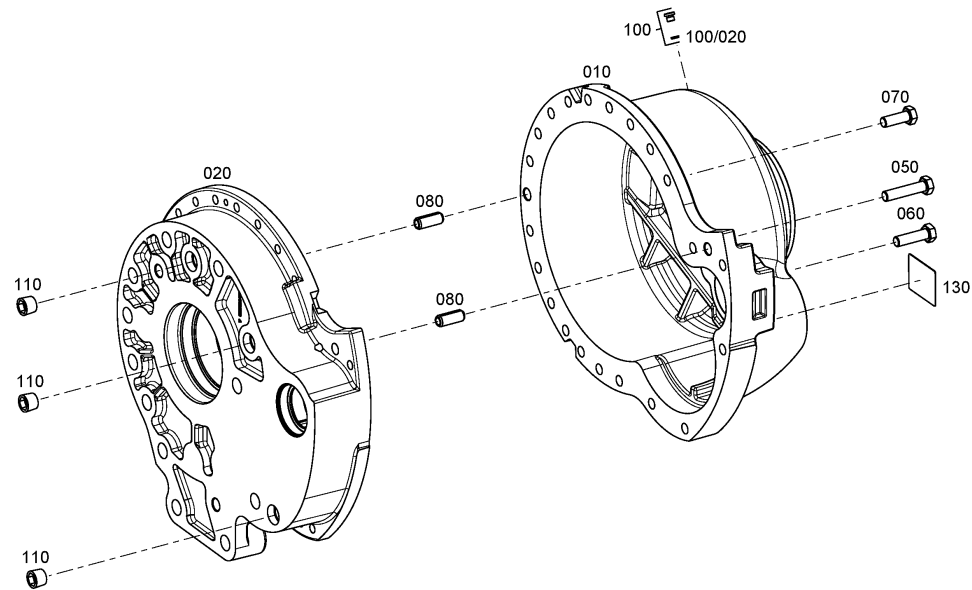
Material number: 2396.095.064

Picture: 009210107000

Material-assembly-group-no: 0092.101.070



3 MD 40/S 1050 /
HOUSING



Picture

Page 1 from 1

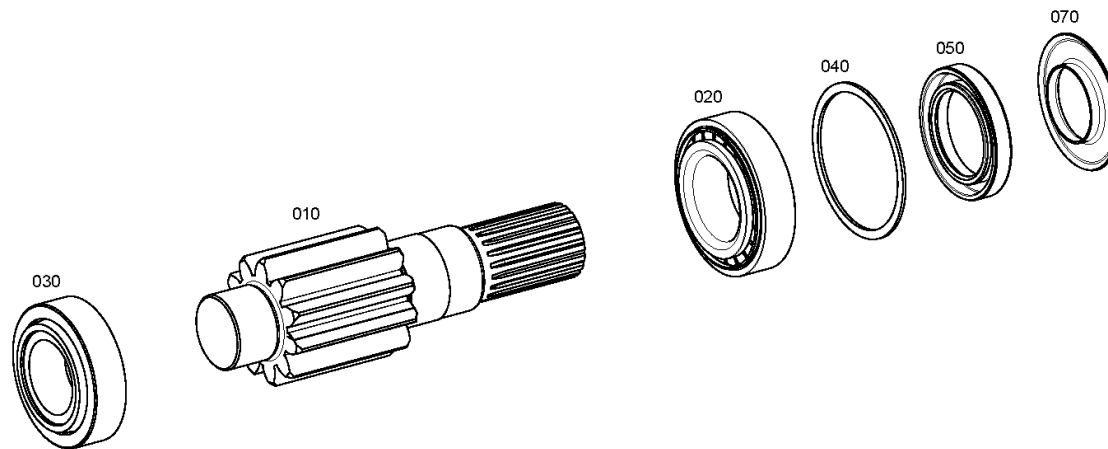
Material number: 2396.095.064

Picture: 009210207500

Material-assembly-group-no: 0092.102.075



3 MD 40/S 1050 /
INPUT SHAFT



Picture

Page 1 from 1

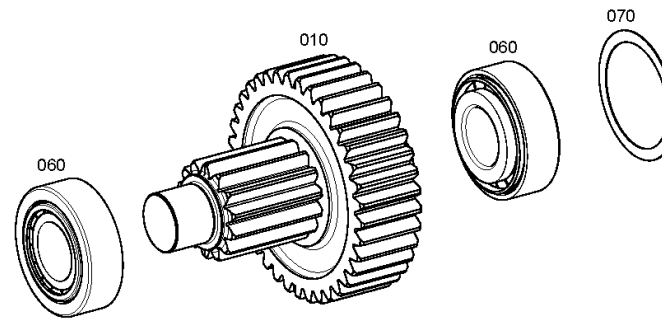
Material number: 2396.095.064

Picture: 009210342500

Material-assembly-group-no: 0092.103.425



3 MD 40/S 1050 /
INTERMEDIATE SHAFT



Picture

Page 1 from 1

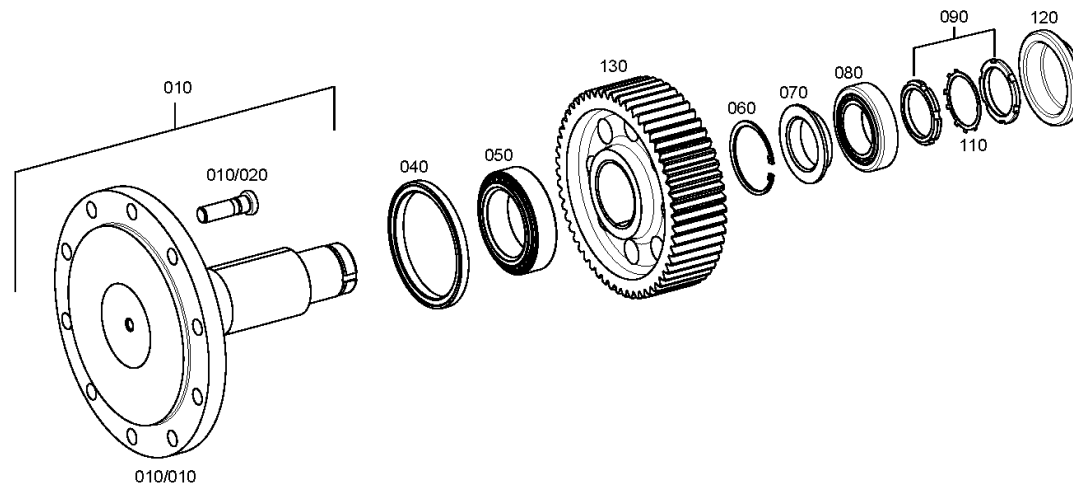
Material number: 2396.095.064

Picture: 009211102300

Material-assembly-group-no: 0092.111.023



3 MD 40/S 1050 /
OUTPUT SHAFT



Picture

Page 1 from 1

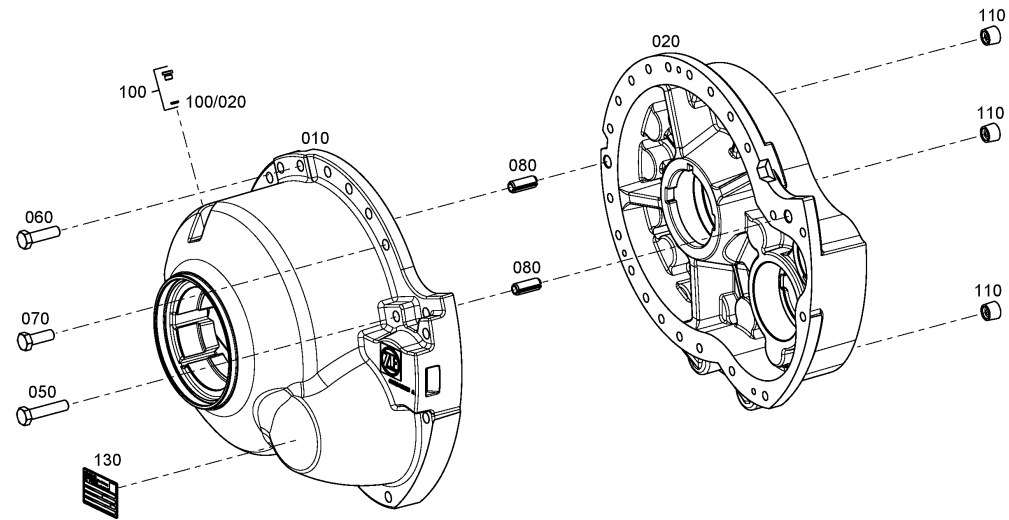
Material number: 2396.095.065

Picture: 009210107100

Material-assembly-group-no: 0092.101.071



3 MD 40/S 1050 /
HOUSING



Picture

Page 1 from 1

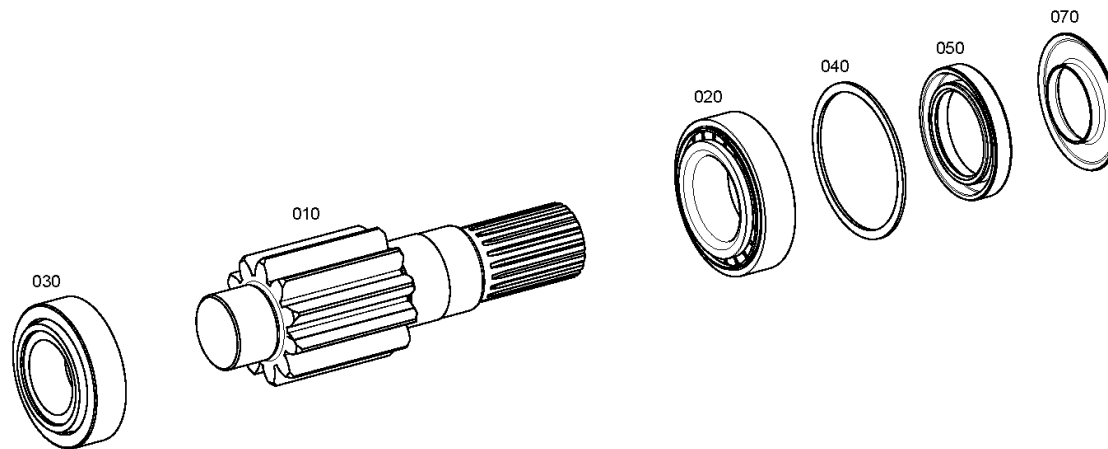
Material number: 2396.095.065

Picture: 009210207500

Material-assembly-group-no: 0092.102.075



3 MD 40/S 1050 /
INPUT SHAFT



Picture

Page 1 from 1

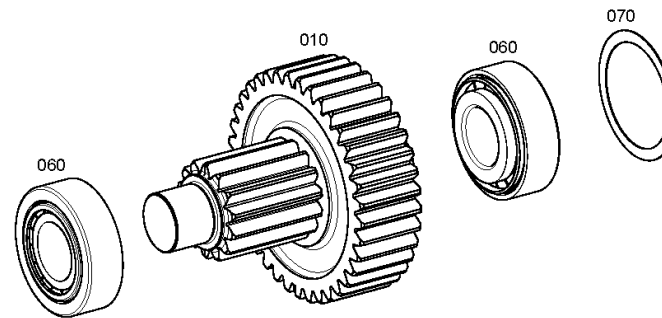
Material number: 2396.095.065

Picture: 009210342500

Material-assembly-group-no: 0092.103.425



3 MD 40/S 1050 /
INTERMEDIATE SHAFT



Picture

Page 1 from 1

Material number: 2396.095.065

Picture: 009211102300

Material-assembly-group-no: 0092.111.023



3 MD 40/S 1050 /
OUTPUT SHAFT

