



Spare Parts Catalogue

ZF 45
ZF 45-1

JUNE 2008
cod. **310.01.0092**



TABLE OF CONTENTS

- 1. SPARE PARTS LIST 3
- PREFACE..... 3
- NAME PLATE 3
- Fig. 1 ZF 45-1 4
- Fig. 1 ZF 45 6
- Fig. 2 ZF 45-1 8
- Fig. 2 ZF 45 12
- Fig. 3 Mechanical selector valve..... 16
- Fig. 4 Old electric selector valve with
 proportional valves..... 18
- Fig. 5 Old electric selector valve with
 proportional valves..... 20
- Fig. 6 Old electric selector valve on/off 12V, 26 bar .. 22
- Fig. 7 New electric selector valve on/off
 12V and 24V - 26 bar 24
- Fig. 8 New electric selector valve on/off
 12V and 24V - 26 bar with trolling valve 26
- Kit components (ZF 45-1) 28
- Kit components (ZF 45) 29



1. SPARE PARTS LIST

Preface

The spare parts list is only valid for the type and versions of transmission, as shown below.

You will find the transmission type and version on your transmission name plate.

If the type and version indicated differs from that printed in this Manual, the relative Spare Parts List should be ordered from ZF MARINE ARCO S.p.A..

The indicated dimensions and standards are as such not enough for ordering parts.

When ordering parts, please state:

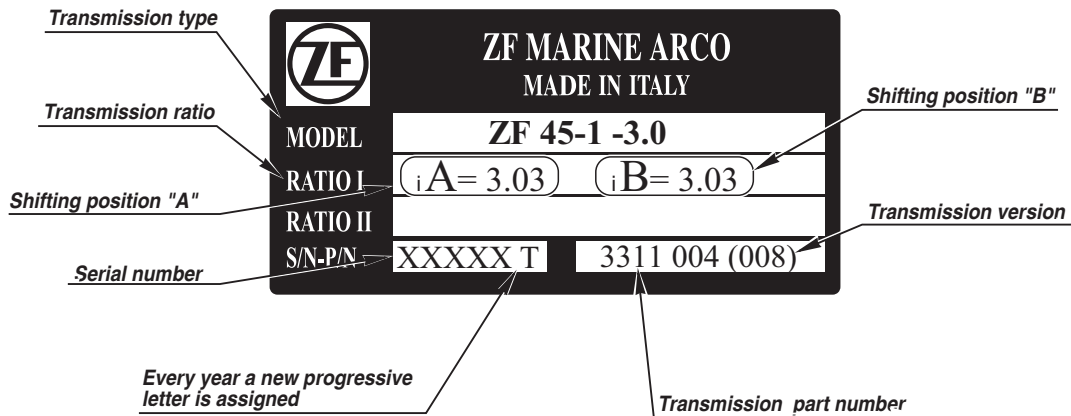
- Transmission type
- Serial number
- Item no.
- Part name
- Identification no.
- quantity of parts required.

The spare parts list is referring to the following versions:

ZF 45	versions 09 (2.20 R); 01 (2.51 R); 02 (3.03 R); 03 (3.41 R); 04 (3.74 R); versions 001 (2.20 R); 002 (2.51 R); 003 (3.03 R); 005 (3.74 R);
ZF 45-1	versions 006 (2.20 R); 007 (2.51 R); 008 (3.03 R); 010 (3.74 R);

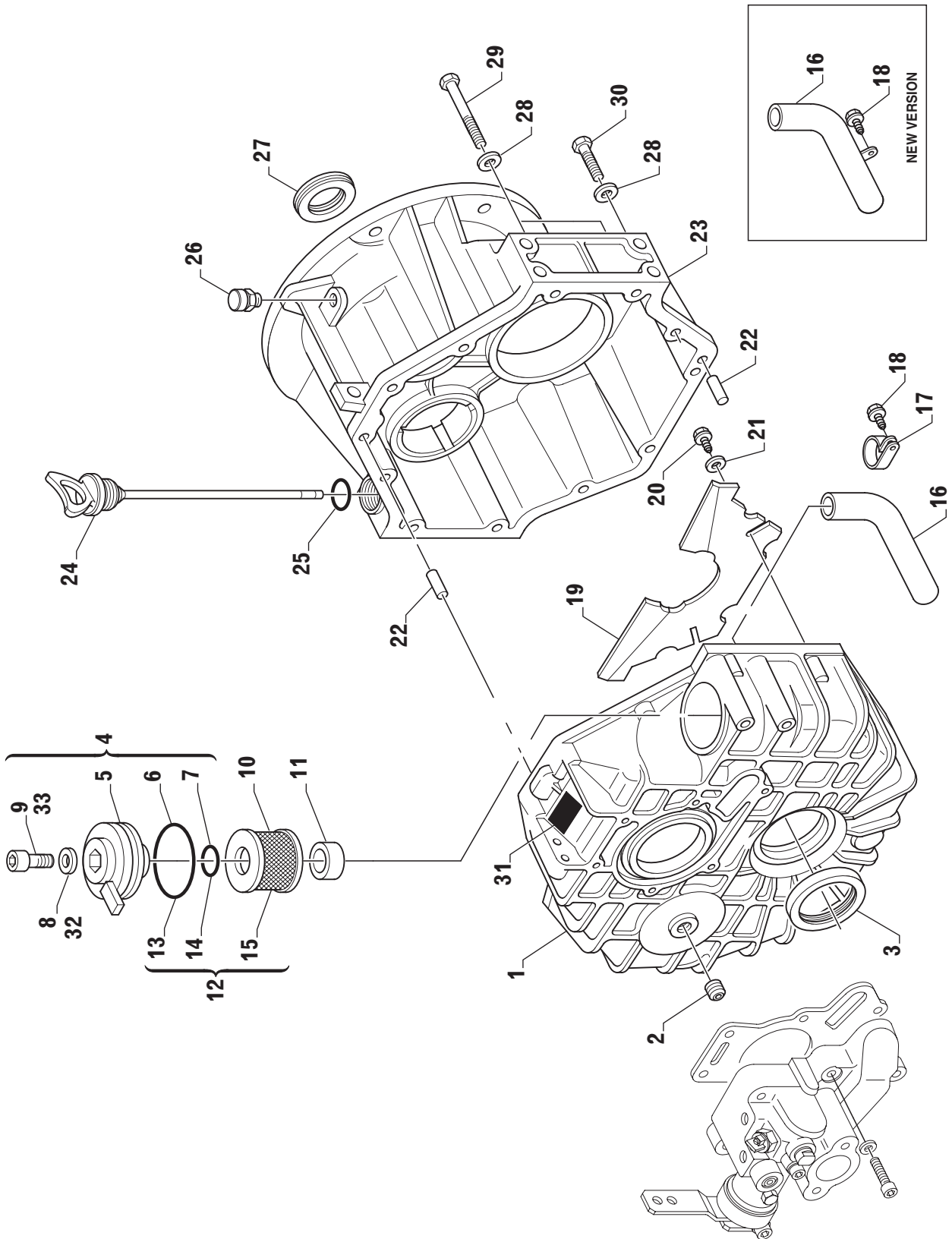
Name plate

The name plate is mounted to the transmission



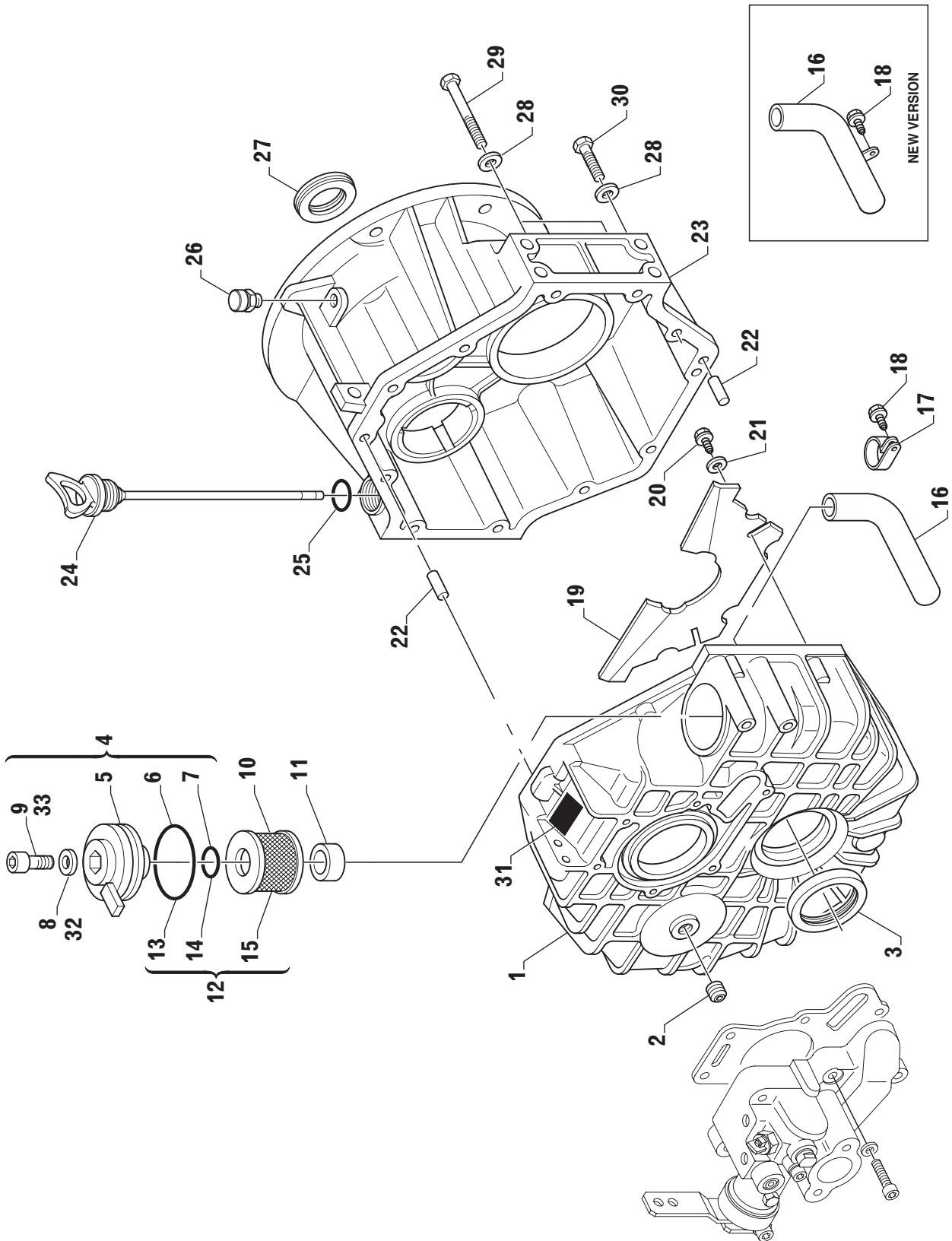


ZF 45-1



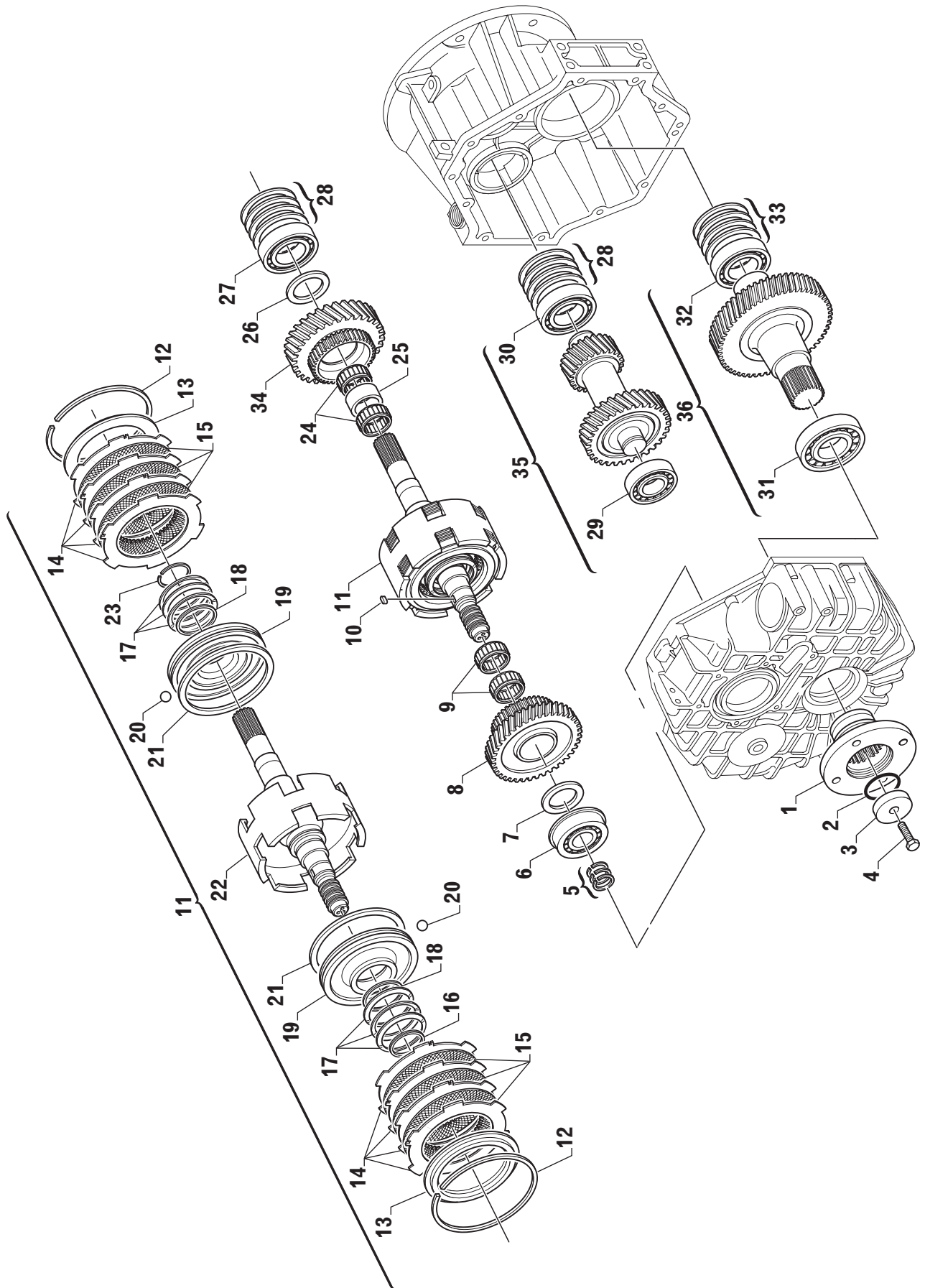


ZF 45

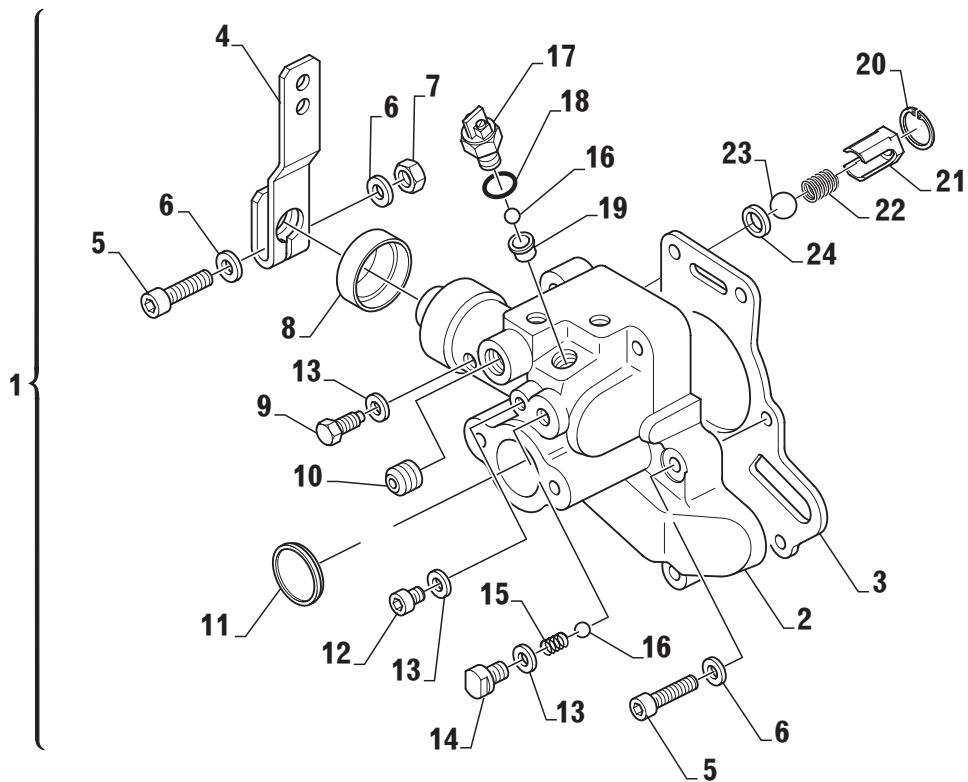




ZF 45

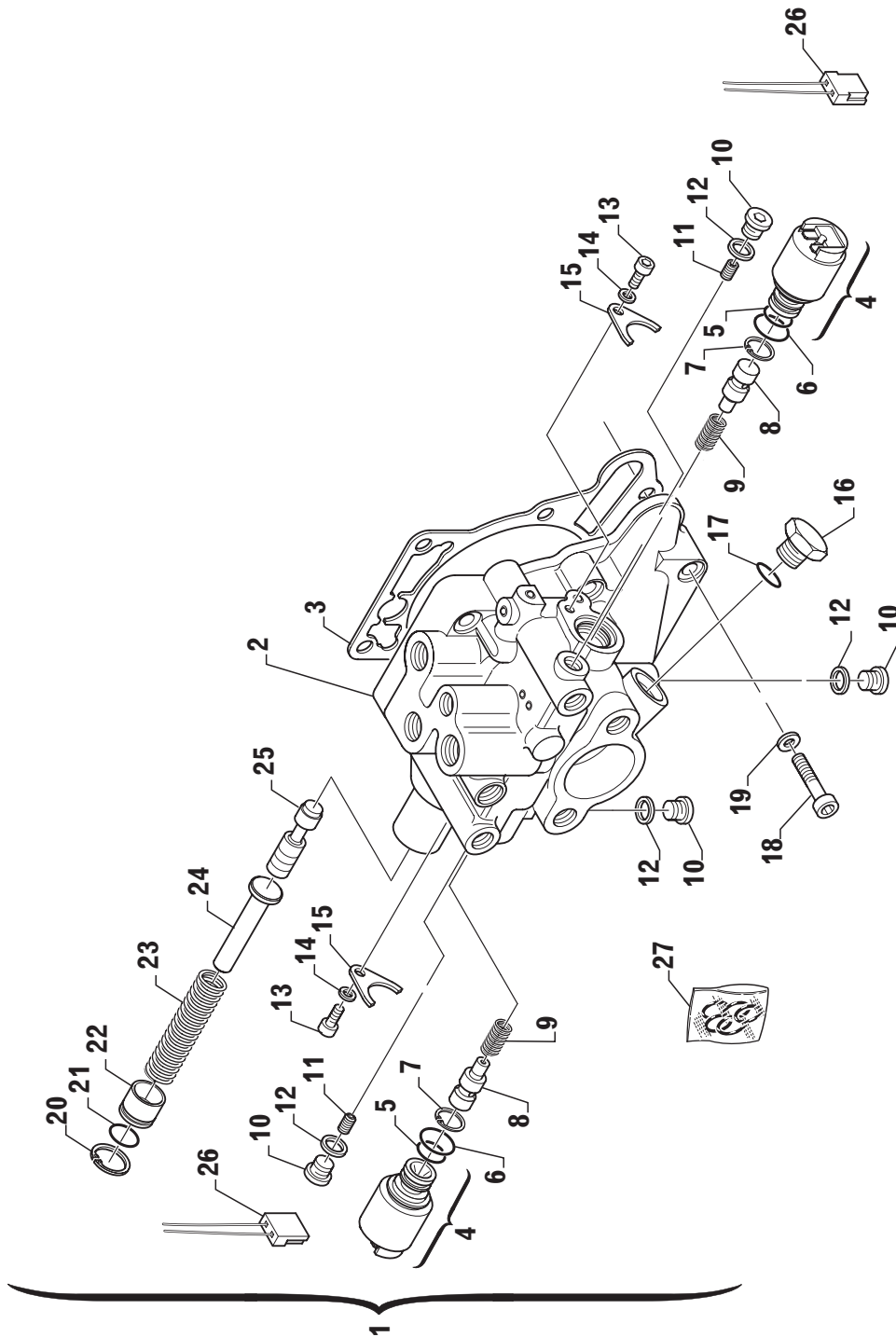


MECHANICAL SELECTOR VALVE

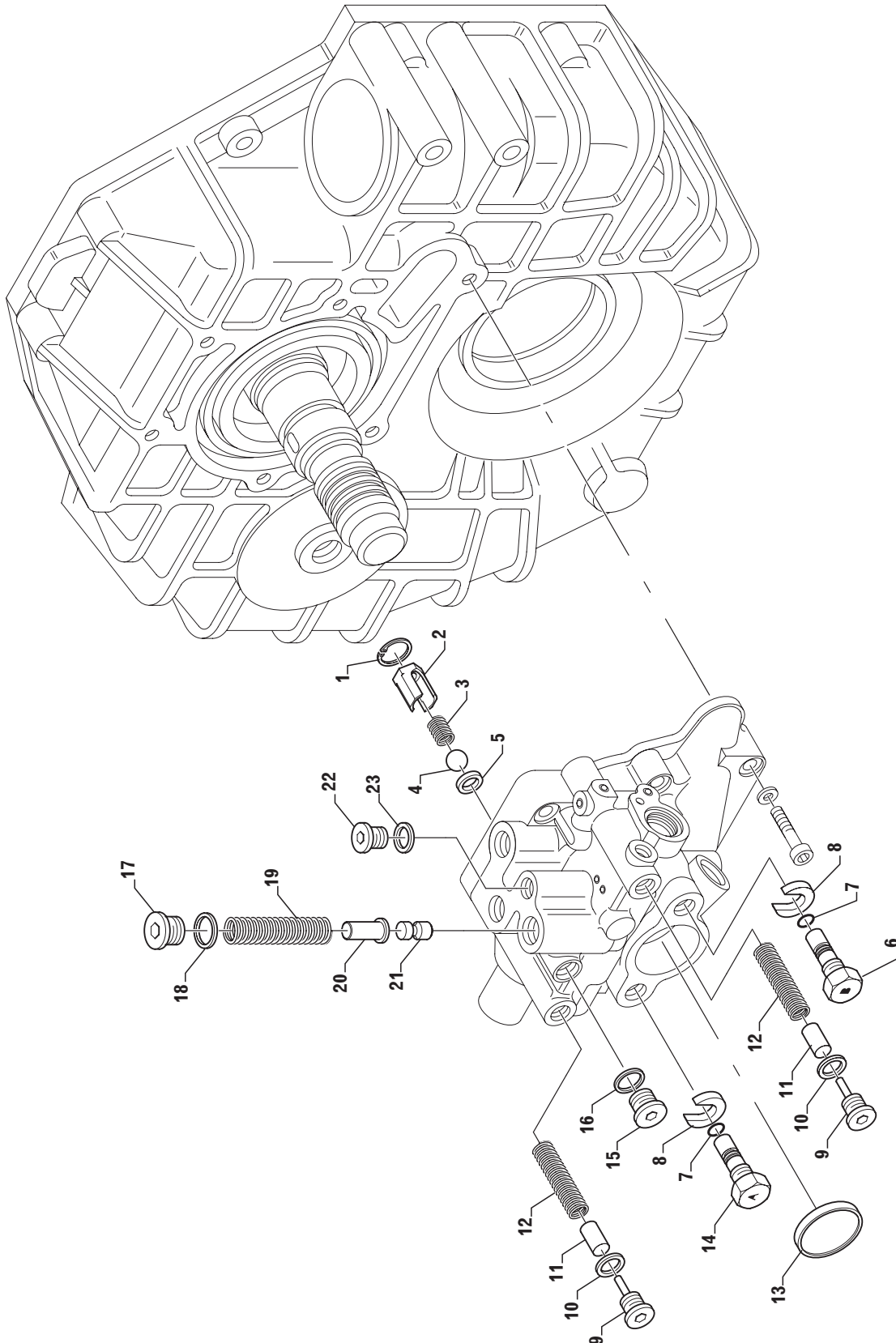




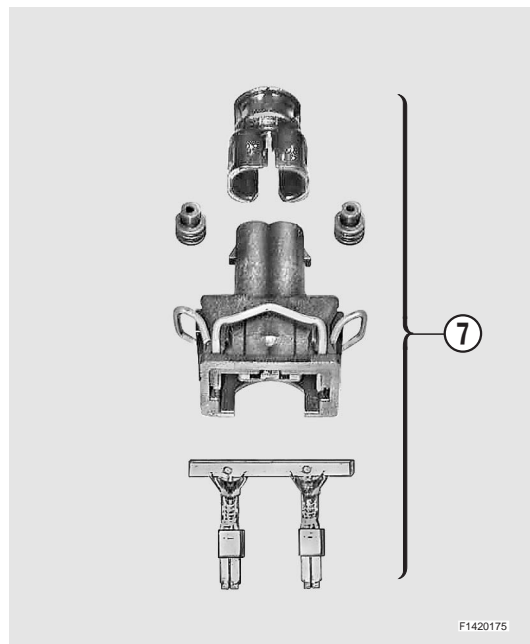
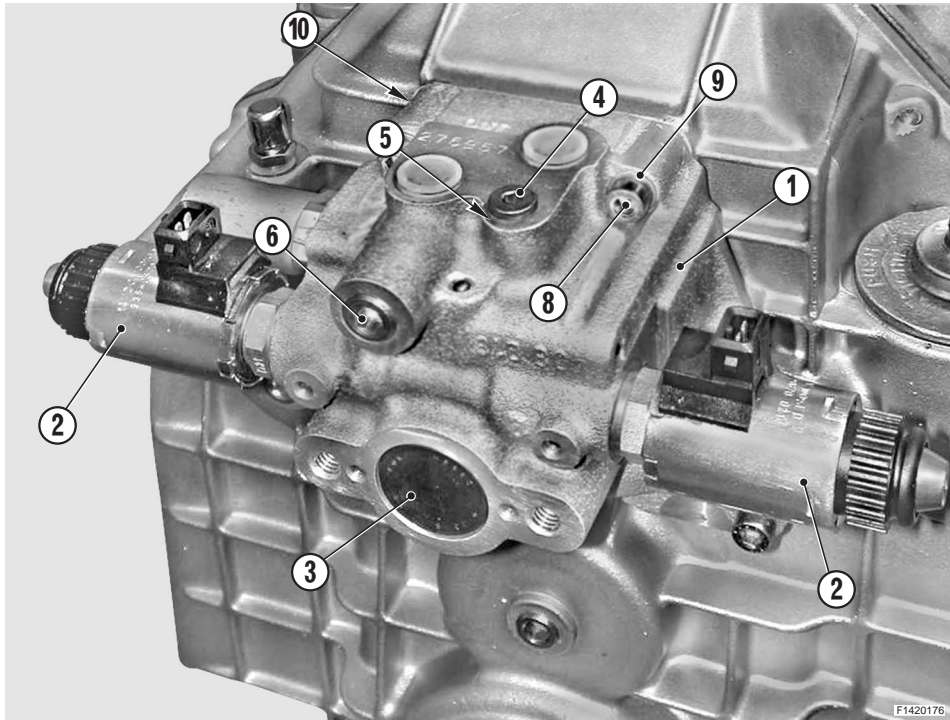
OLD ELECTRIC SELECTOR VALVE WITH PROPORTIONAL VALVES



OLD ELECTRIC SELECTOR VALVE WITH PROPORTIONAL VALVES

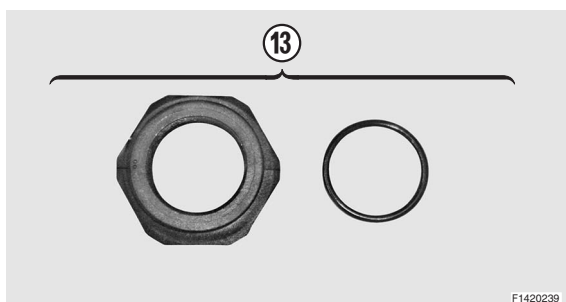
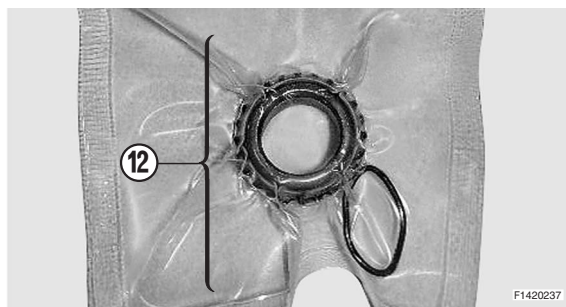
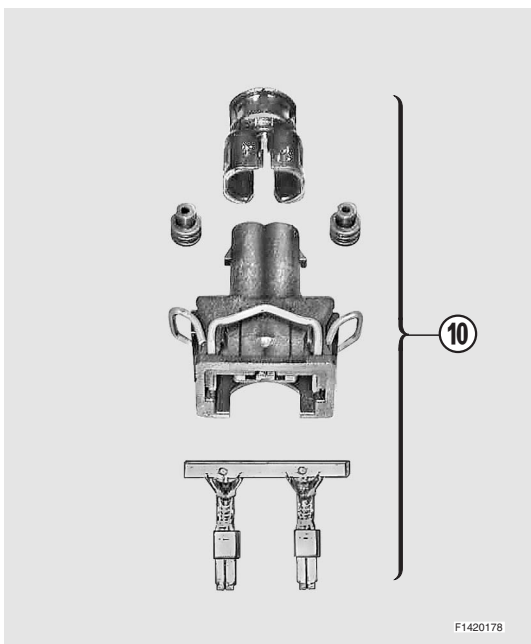
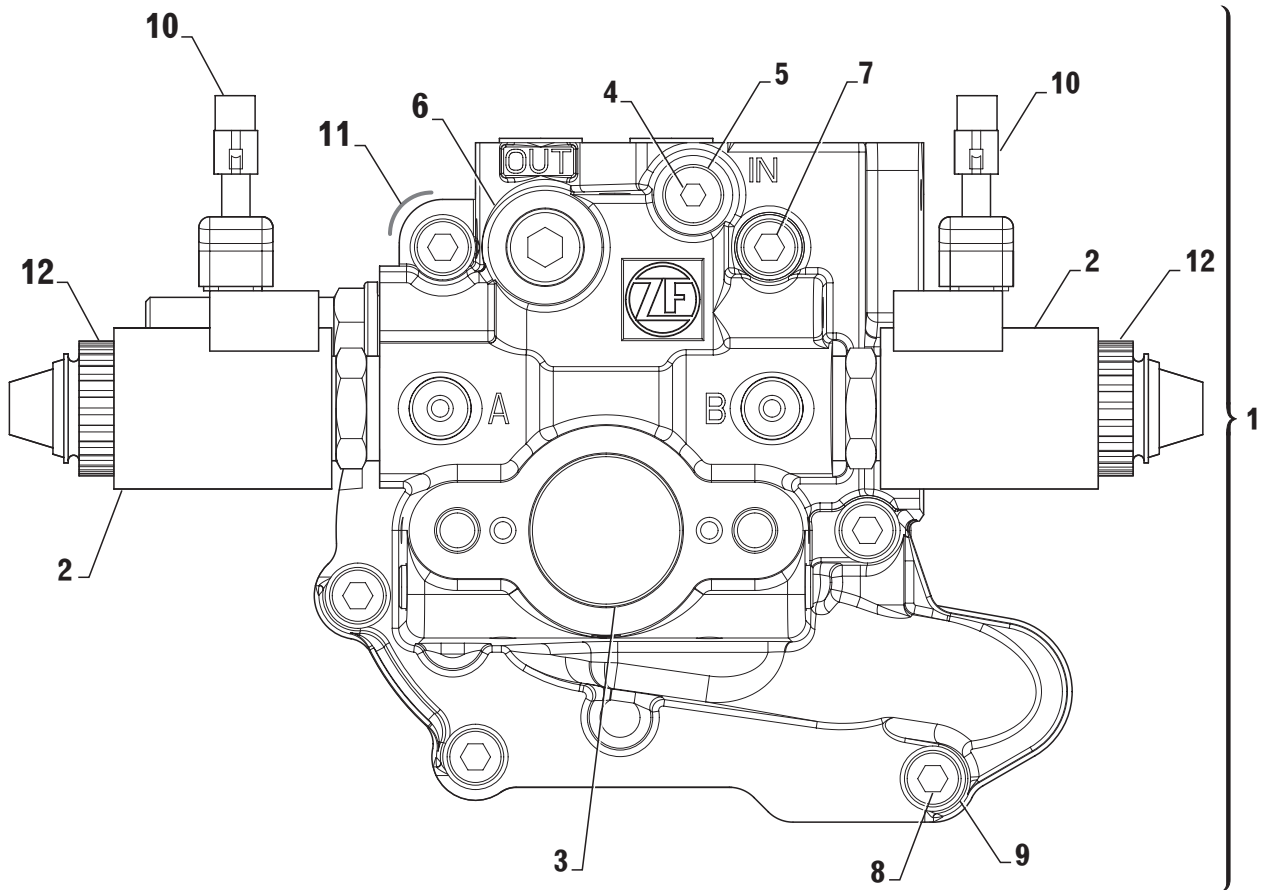


OLD ELECTRIC SELECTOR VALVE ON/OFF 12V - 26 bar





NEW ELECTRIC SELECTOR VALVE ON/OFF 12V - 26 BAR
NEW ELECTRIC SELECTOR VALVE ON/OFF 24V - 26 BAR





**NEW ELECTRIC SELECTOR VALVE ON/OFF 12V - 26 BAR
WITH TROLLING VALVE**

**NEW ELECTRIC SELECTOR VALVE ON/OFF 24V - 26 BAR
WITH TROLLING VALVE**

