



# Spare Parts Catalog

6 HP-600

Material number: 4139.065.303

Current date: 12.07.2021

ZF Friedrichshafen AG  
Hauptverwaltung  
80038 Friedrichshafen  
Deutschland

Telefon: +49 7541 77-0

Telefax: +49 7541 77-908000

[www.zf.com](http://www.zf.com)

zuständiges Werk:  
Friedrichshafen

# Notes relating to the spare parts catalog

## Setup of the spare parts catalog

- Cover sheet
- Technical Cover (only in SDM print)
- Overview of figures
- Figure
- Associated parts list
- Next figure
- Associated parts list
- ...

## Figure and parts list



## Overview of figures

Bildtafel Figure	Sachnummer Product number	Benennung (Description)	Technische Info Technical info	Description (Benennung)	Menge Quantity	Einheit Unit
068.08.17	1316.170.001	AUSLEGER	WL	SHIFT TURRET	1	Stk
068.08.06	1316.170.031	DECKEL	WL*H-H *VM	COVER	1	Stk
068.08.14	1316.170.808	DECKEL	WL*AUSL+GEH*H-H*HF160N	COVER	1	Stk
08	1316.170.441	ANSCHLUSSTEILE	WL*NG-VORB*RG-SCHL*168N *BAJONETT	CONNECTING PARTS	1	Stk

The "gap" indicates that there is no separate graphics panel (poster) for this assembly  
The parts of this assembly are shown with the same mid-section number on the figure

### 1 Positions and subpositions

Pos.	Sachnummer Product number	Benennung (Description)	Technische Info Technical info	Description (Benennung)	Menge Quantity	Einheit Unit
0370	1315.201.054	RUECKLAUFBOLZEN	KPL.16S151*SG*L= 79	REV.IDLER SHAFT	1	Stk
/0120	0631.329.293	SPANNSTIFT		SLOT. PIN	1	Stk

Positions marked with "/" are the individual items of a completion  
For example: Position 0370 contains a centering pin with the position /0120

### 2 Combinations with standardized parts

Pos.	Sachnummer Product number	Benennung (Description)	Technische Info Technical info	Description (Benennung)	Menge Quantity	Einheit Unit
0630		VERSCHL.SCHR.		SCREW PLUG	1	Stk
	0636.302.067	VERSCHL.SCHR.		SCREW PLUG	1	Stk
	0634.801.249	DICHTRING	A 26 X 31	SEALING RING	1	Stk

The parts list shows the components included in the combination of standardized parts

### 3 Depiction of position/item number on the figure and in the parts list

01.620 - on the figure      01 relates to the assembly in which the position is included. Due to program-related reasons, it is shown on the figure.

0620 - in the parts list

Pos.	Sachnummer Product number	Benennung (Description)	Technische Info Technical info	Description (Benennung)	Menge Quantity	Einheit Unit
0620	0732.040.736	DRUCKFEDER		COMPRESSION SPRING	1	Stk

### 4 \*-Positions

Positions marked with an \* are optional i.e. inclusion in the parts list is not mandatory.  
The following note is shown on the figure

je nach Stücklistenausführung  
depending on spec. number  
\*  
suivant la nomenclature  
secondo la distinta base

### 5 Parts, dotted display

Parts with dotted display on the figure are only used for orientation of other parts

# Technical Cover

Page 1 from 2

Material number: 4139.065.303



6 HP-600 /

Pos.	Information	Amendment number
001	Use case -----	
002	Customer Manitowoc Crane Group Germany	
003	City Wilhelmshaven	
004	DUNS 34-276-8181	
005	Product description -----	
006	CLEANNESS SCALE NUMBER 1 20	
007	CLEANNESS SCALE NUMBER 2 14	
008	CLEANNESS SPECIFICATION ZFN 5015	
010	TRANSMISSION ATTACHMENT FLANGE-MOUNTED	
016	RATIO, BOTTOM GEAR 5.6	
017	RATIO, TOP GEAR .83	
018	RATIO, 1ST GEAR 5.6	
019	RATIO, 2ND GEAR 3.43	
020	RATIO, 3RD GEAR 2.01	
021	RATIO, 4TH GEAR 1.42	
022	RATIO, 1ST GEAR REVERSE 4.84	
023	RATIO, 5TH GEAR 1	
024	RATIO, 6TH GEAR .83	
025	MAIN PRESSURE CONVERTER CLUTCH OPENED 18 bar	
026	MAIN PRESSURE CONVERTER CLUTCH CLOSED 10 bar	
031	DESIGN, OUTPUT COAXIAL	
034	NO. OF TEETHCOUNT.DISC PULSE SENSOR OUT 30	
035	RATIO SPEED OUTPUT/SPEED PULSE SENSOR 1	
036	OUTER DIA. OUTPUT FLANGE RA 180 mm	
037	NO.OF SCREWS OUTPUT FLANGE RA 10	
040	DIA. THREAD OUTPUT FL. SCR. RA M16	
044	THREAD LENGTH OUTP.FL SCREW RA 45 mm	
045	RATIO MECHANIC TACHO INPUT .65	
046	DESIGN PRESSURE MODULATION ELECTRICAL	
051	DESIGN RETARDER ACTUATION SOLENOID VALVE FLANGE MOUNTED	
057	BRAKE TORQUE MAX 1500 Nm	
058	OUTP.SPEED AT MAX BRAKE TORQUE 2200 1/min	
059	ATTACHM.POS.HEAT EXCHANGER AT REAR	

# Technical Cover

Page 2 from 2

Material number: 4139.065.303



6 HP-600 /

Pos.	Information	Amendment number
060	1.INST.INSTRUCTION HEAT EXCHANGER INTERMEDIATE HOUSING	
062	DESIGN, OIL SUMP DEEP	
065	CONNECTION DRAIN OEL SUMP LEFT+RIGHT PREPARED	
066	HEIGHT OIL FILLER PIPE 316 mm	
067	CODING OIL FILLER PIPE K06	
072	DESIGN CONVERTER ZFW380-30	
073	CONVERTER CHARACTERISTIC 2.1.1.	
081	OPERATING VOLTAGE 24 V	
082	NO. OF POLES OPERATING VOLTAGE 1	
113	OIL CAPACITY, GEARBOX 20 dm <sup>3</sup>	
114	OIL GRADE PERMISSIBLE ACC. TO TE-ML14	
115	COLOR NOT	
119	CODING OUTER CONSERVATION KA1	
120	SCOPE OUTER CONSERVATION T	
121	CODING INNER CONSERVATION KI1	
122	CONSERVATION SPECIFICATION ZFN 916	

# Assembly group overview

Page 1 from 2

Material number: 4139.065.303



6 HP-600 /

Graphics	Pos.	Material number	Name	Quantity	Amend. no.	Techn. Info.
004.01.14-1	110	4139.101.511	TRANSMISSION HOUSING	1		
004.01.60-1	130	4139.101.198	CLOSING COMPONENTS	1		
004.01.61-1	140	4139.101.025	CLOSING COMPONENTS	1		
004.04.40-1	210	4139.110.418	COVER PLATE	1		
004.04.89-1	214	4139.110.802	OIL SUPPLY	1		
004.04.04-1	900	4139.110.115	OIL SUPPLY	1		
004.07.08-1	220	4139.120.011	RETARDER	1		
004.07.01-1	230	4139.120.412	RETARDER VALVE	1		
004.07.41-1	232	4139.120.401	SOLENOID VALVE	1		
004.07.20-1	910	4149.120.003	RETARDER	1		
004.10.05-1	900	4139.133.222	GEARBOX	1		
004.10.03-1	904	4149.133.012	PLANETARY DRIVE	1		
004.13.01-1	910	4139.170.036	COUPLING	1		
004.14.01-1	920	4139.171.008	BRAKE	1		
004.15.01-1	930	4139.172.002	BRAKE	1		
004.16.02-1	940	4139.173.004	BRAKE	1		
004.17.01-1	950	4139.174.001	BRAKE	1		
004.17.80-1	952	4139.174.800	BRAKE	1		
004.20.06-1	300	4139.103.158	OUTPUT	1		
004.20.61-1	310	4139.103.809	OUTPUT	1		
004.048.001-1	400	4139.106.120	SHIFT CONTROL	1		
004.048.083-1	410	4139.106.810	SHIFT CONTROL	1		
004.56.40-1	450	4139.131.090	DIPSTICK PARTS	1		
004.56.02-1	460	4139.131.132	OIL PAN	1		
004.56.97-1	462	4139.131.106	CLOSING COMPONENTS	1		
004.56.14-1	464	4139.131.152	CLOSING COMPONENTS	1		
004.56.13-1	470	4139.131.101	FILTER	1		
004.56.69-1	478	4139.131.815	PLATE	1		
004.59.03-1	480	4139.134.376	CONVERTER	1		
004.59.80-1	488	4139.134.810	CONVERTER	1		

# Assembly group overview

Page 2 from 2

Material number: 4139.065.303



6 HP-600 /

Graphics	Pos.	Material number	Name	Quantity	Amend. no.	Techn. Info.
004.90.18-1	550	4139.147.307	HEAT EXCHANGER	1		

# Plant

Page 1 from 3

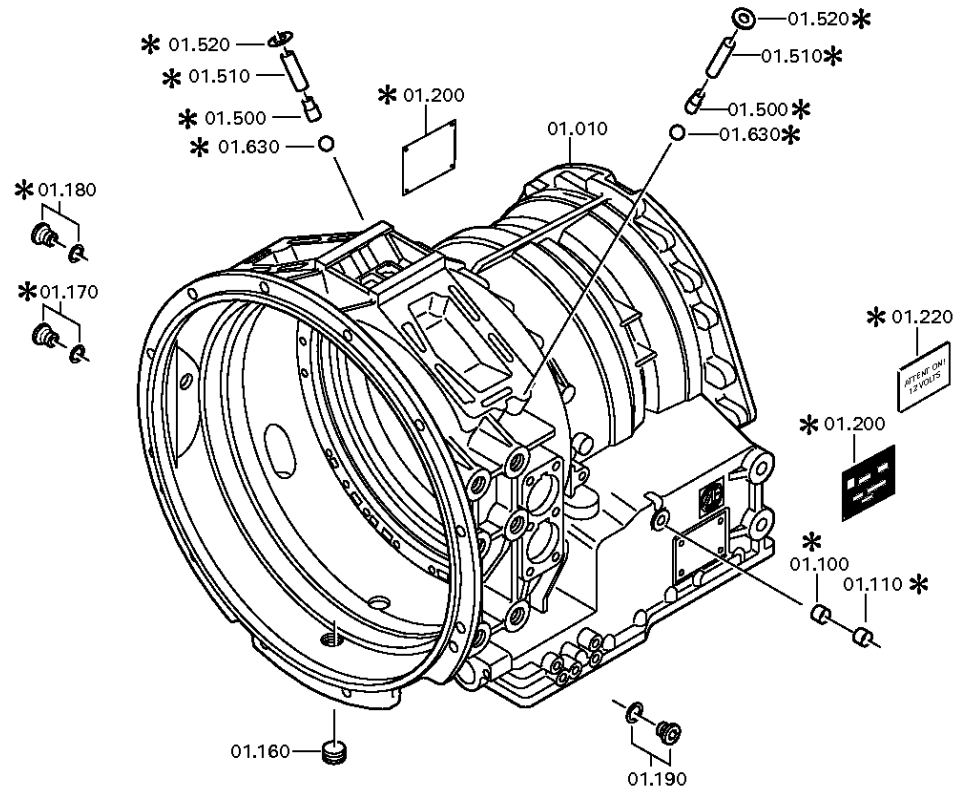
Material number: 4139.065.303

Plant: 004.01.14-1

TRANSMISSION HOUSING



6 HP-600 /  
TRANSMISSION HOUSING



# Plant

Page 2 from 3

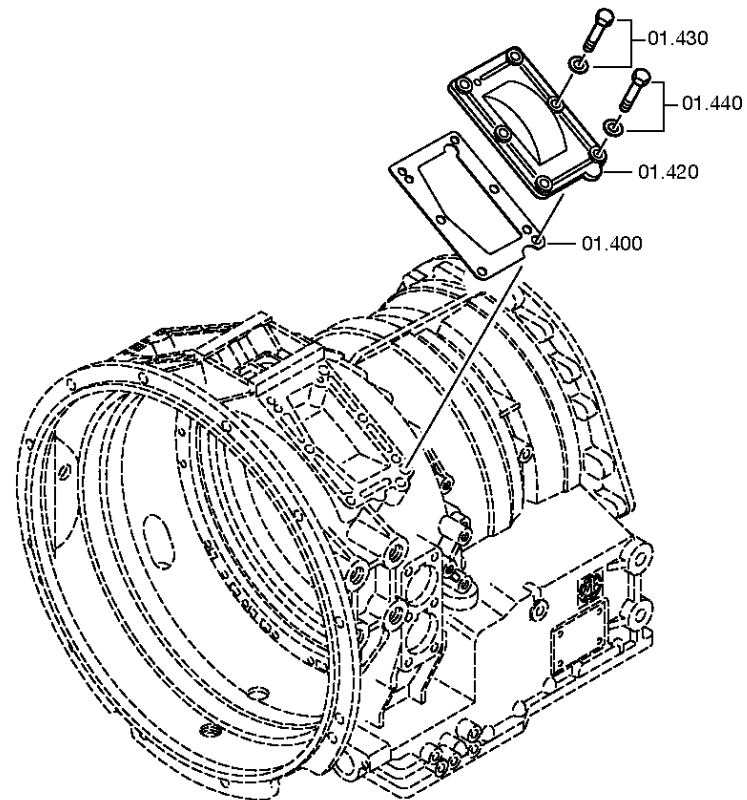
Material number: 4139.065.303

Plant: 004.01.60-1

TRANSMISSION HOUSING



6 HP-600 /  
TRANSMISSION HOUSING





# Plant

Page 3 from 3

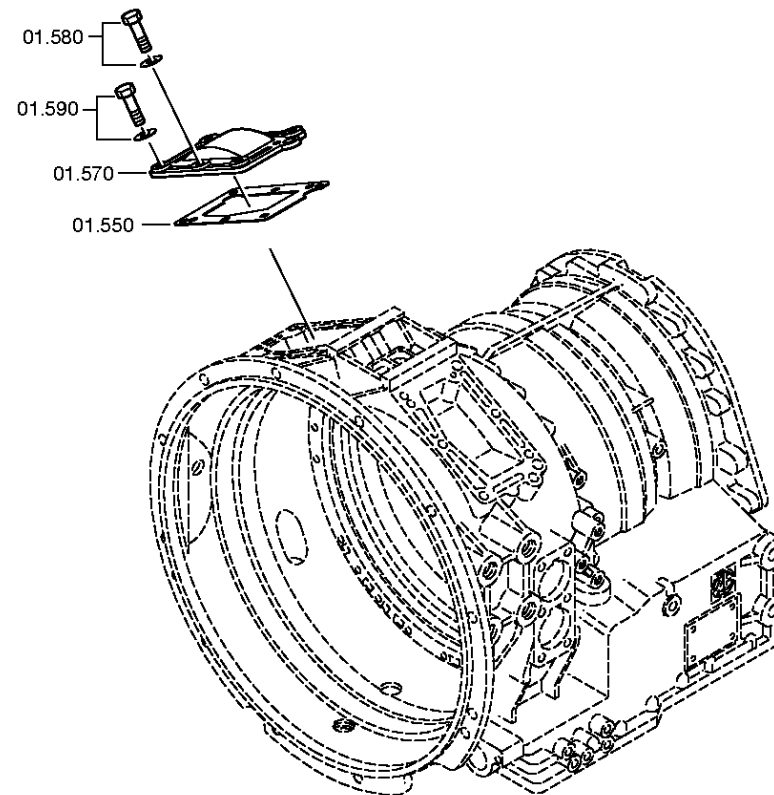
Material number: 4139.065.303

Plant: 004.01.61-1

TRANSMISSION HOUSING



6 HP-600 /  
TRANSMISSION HOUSING



# Plant

Page 1 from 3

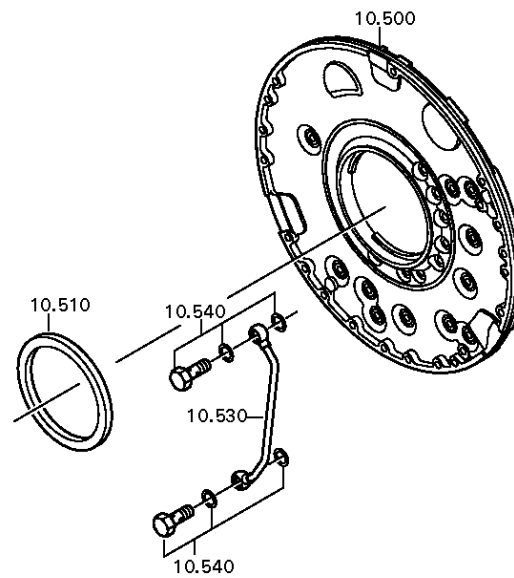
Material number: 4139.065.303

Plant: 004.04.40-1

COVER PLATE



6 HP-600 /  
COVER PLATE



# Plant

Page 2 from 3

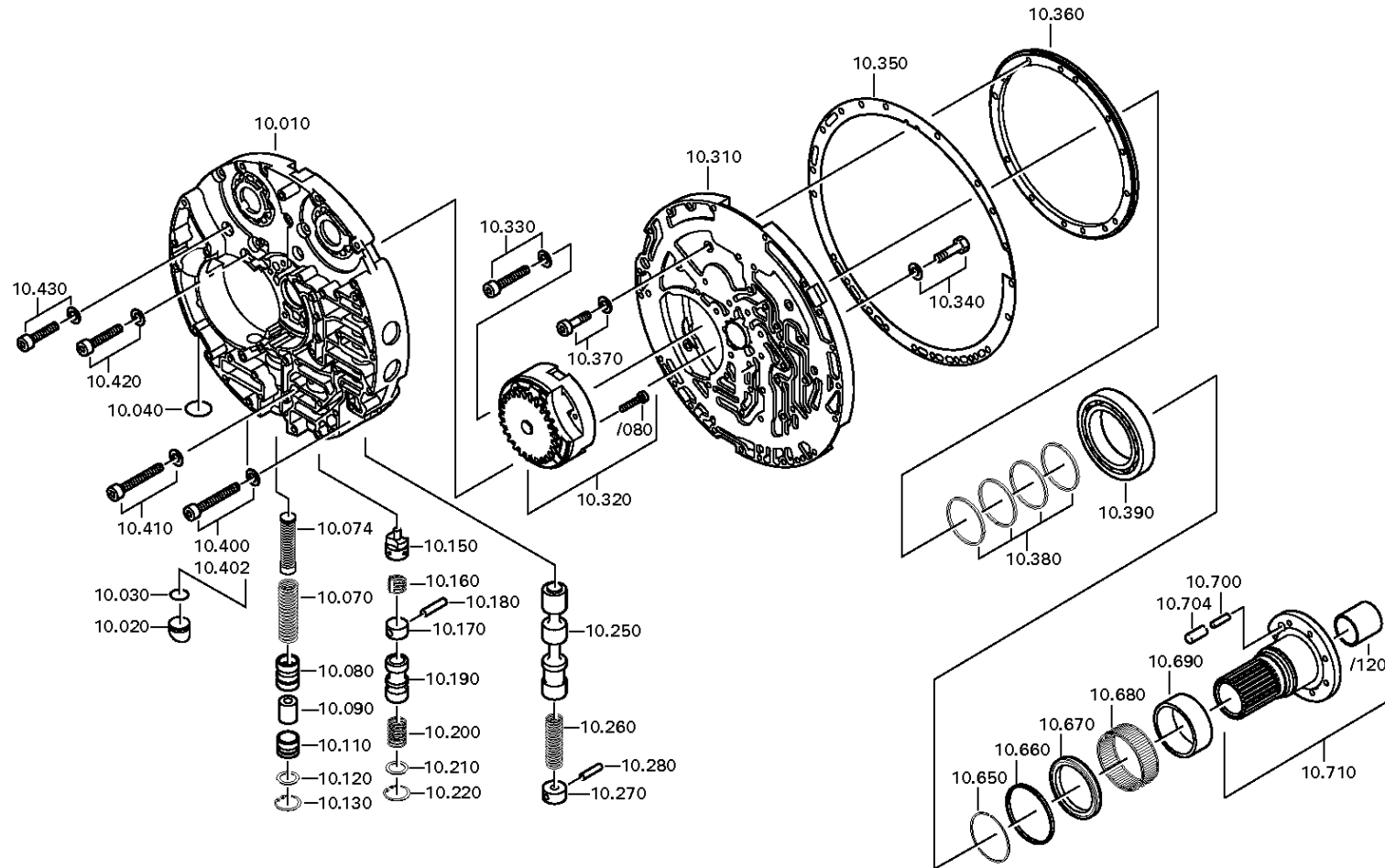
Material number: 4139.065.303

Plant: 004.04.04-1

COVER PLATE



6 HP-600 /  
COVER PLATE



# Plant

Page 3 from 3

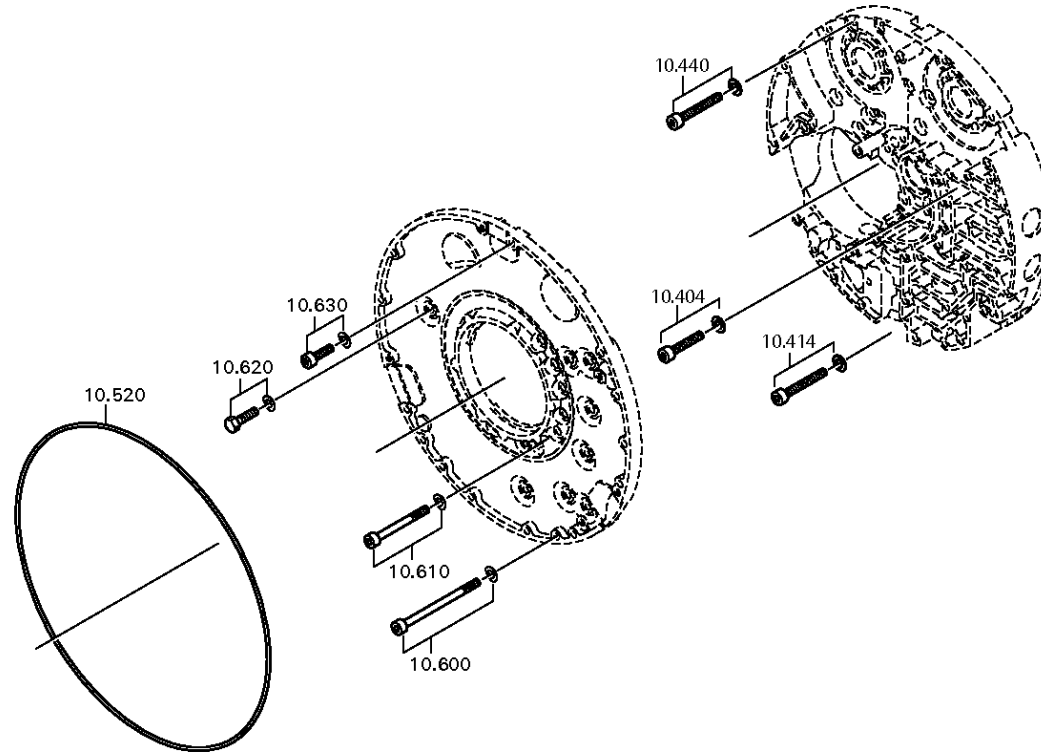
Material number: 4139.065.303

Plant: 004.04.89-1

COVER PLATE



6 HP-600 /  
COVER PLATE



# Plant

Page 1 from 4

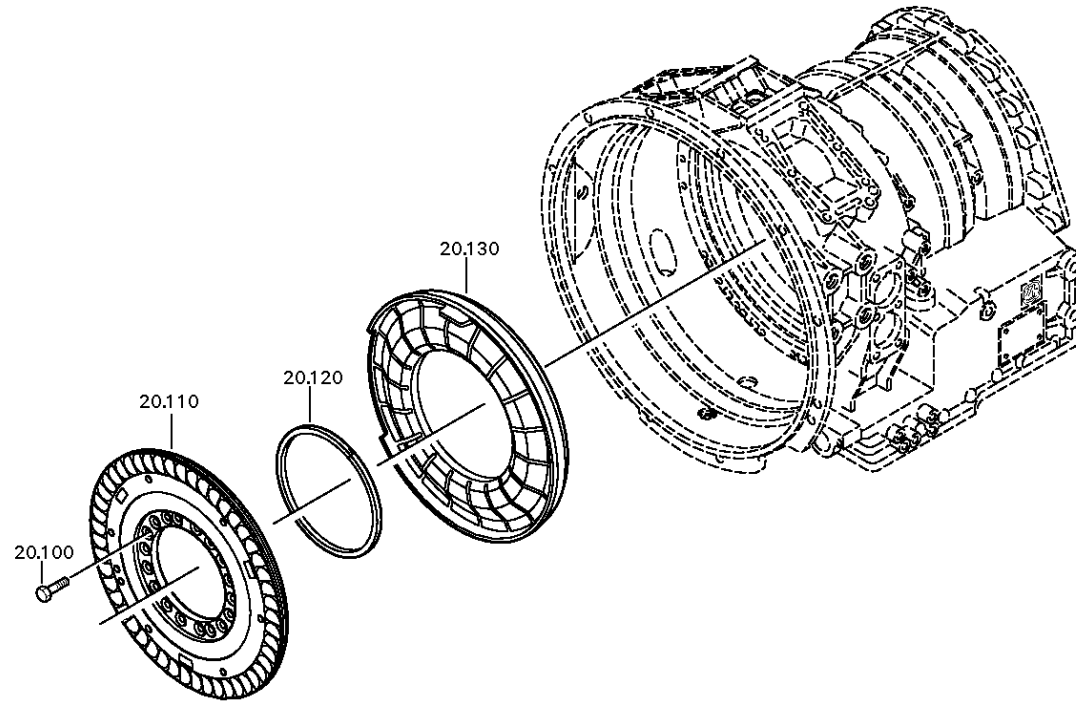
Material number: 4139.065.303

Plant: 004.07.08-1

RETARDER



6 HP-600 /  
RETARDER



# Plant

Page 2 from 4

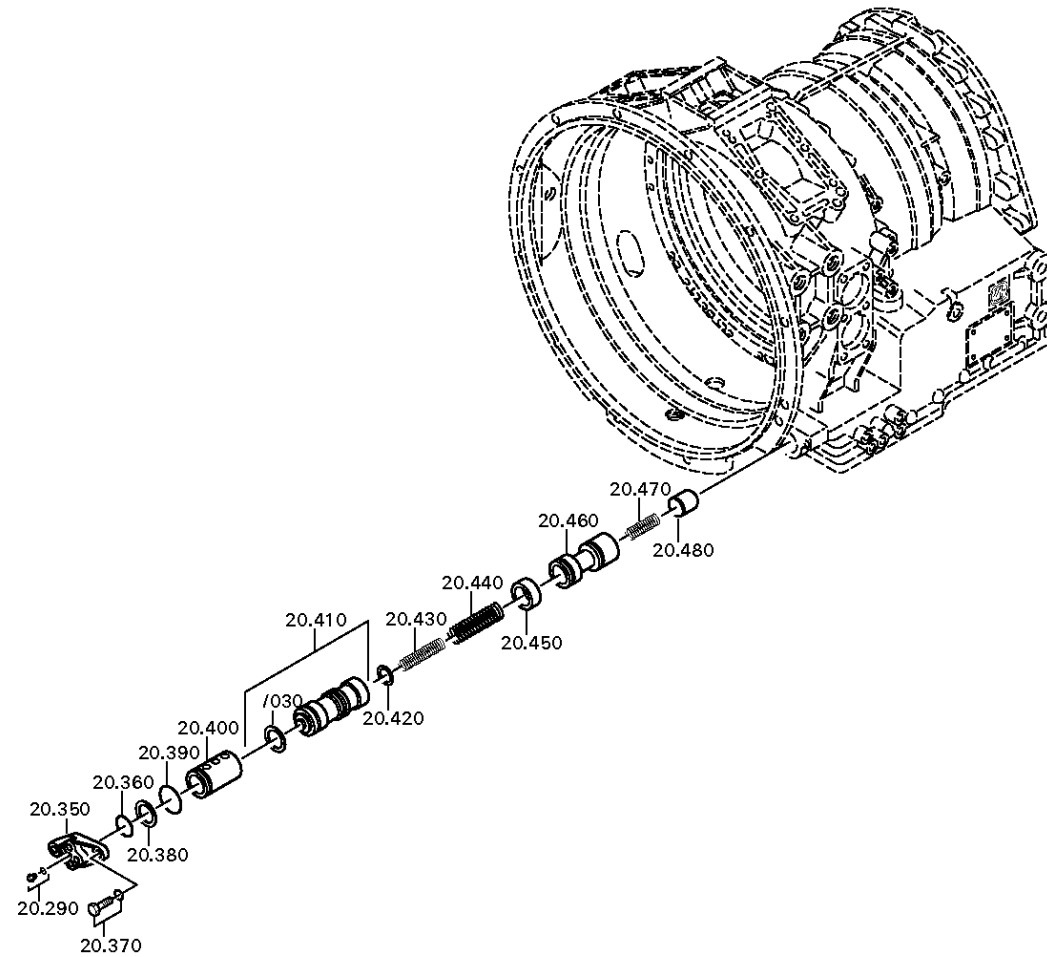
Material number: 4139.065.303

Plant: 004.07.01-1

RETARDER



6 HP-600 /  
RETARDER



# Plant

Page 3 from 4

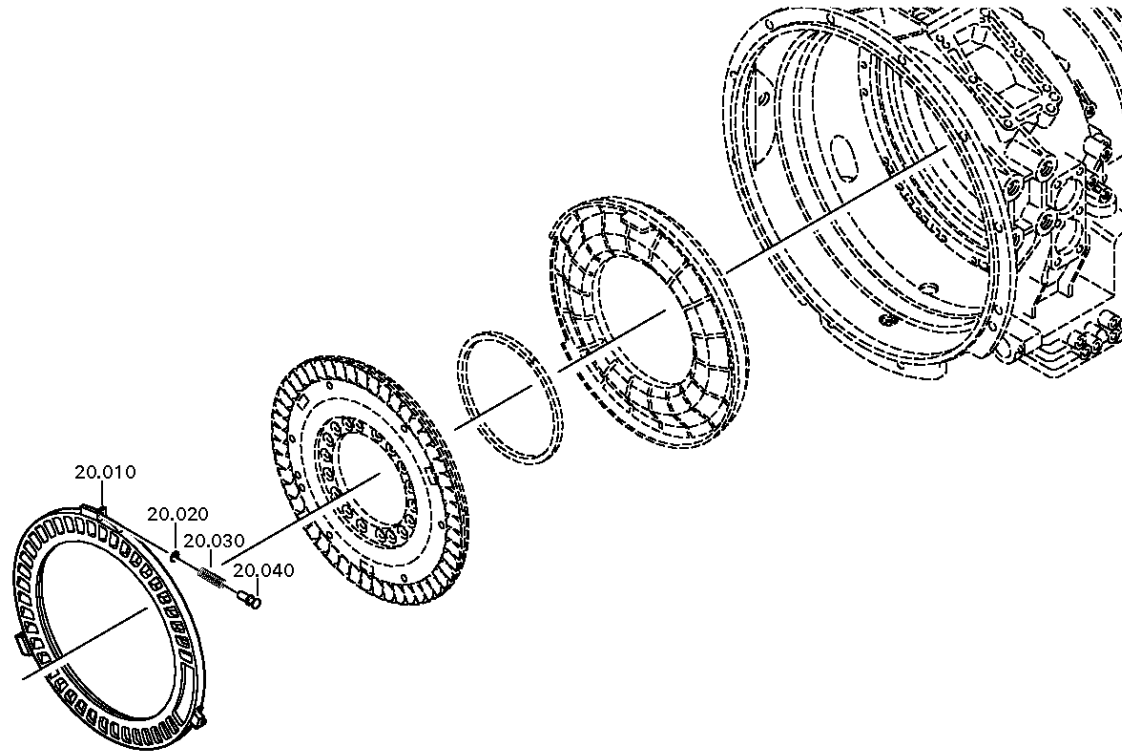
Material number: 4139.065.303

Plant: 004.07.20-1

RETARDER



6 HP-600 /  
RETARDER



# Plant

Page 4 from 4

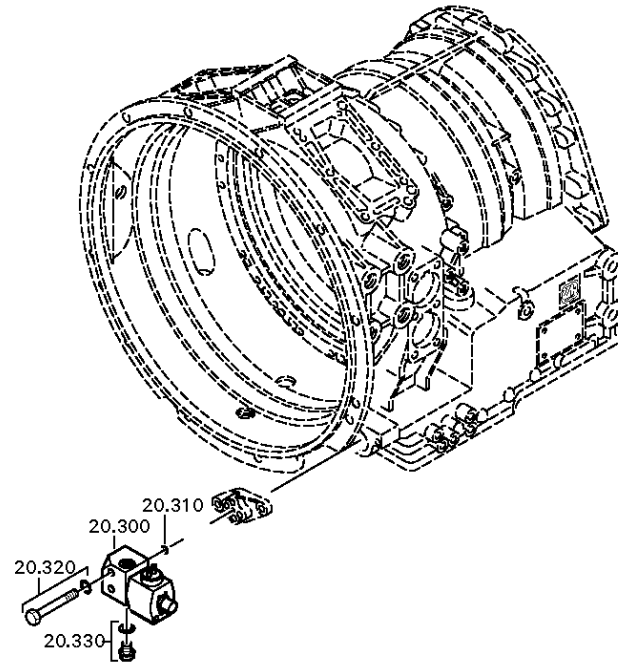
Material number: 4139.065.303

Plant: 004.07.41-1

RETARDER



6 HP-600 /  
RETARDER





# Plant

Page 1 from 2

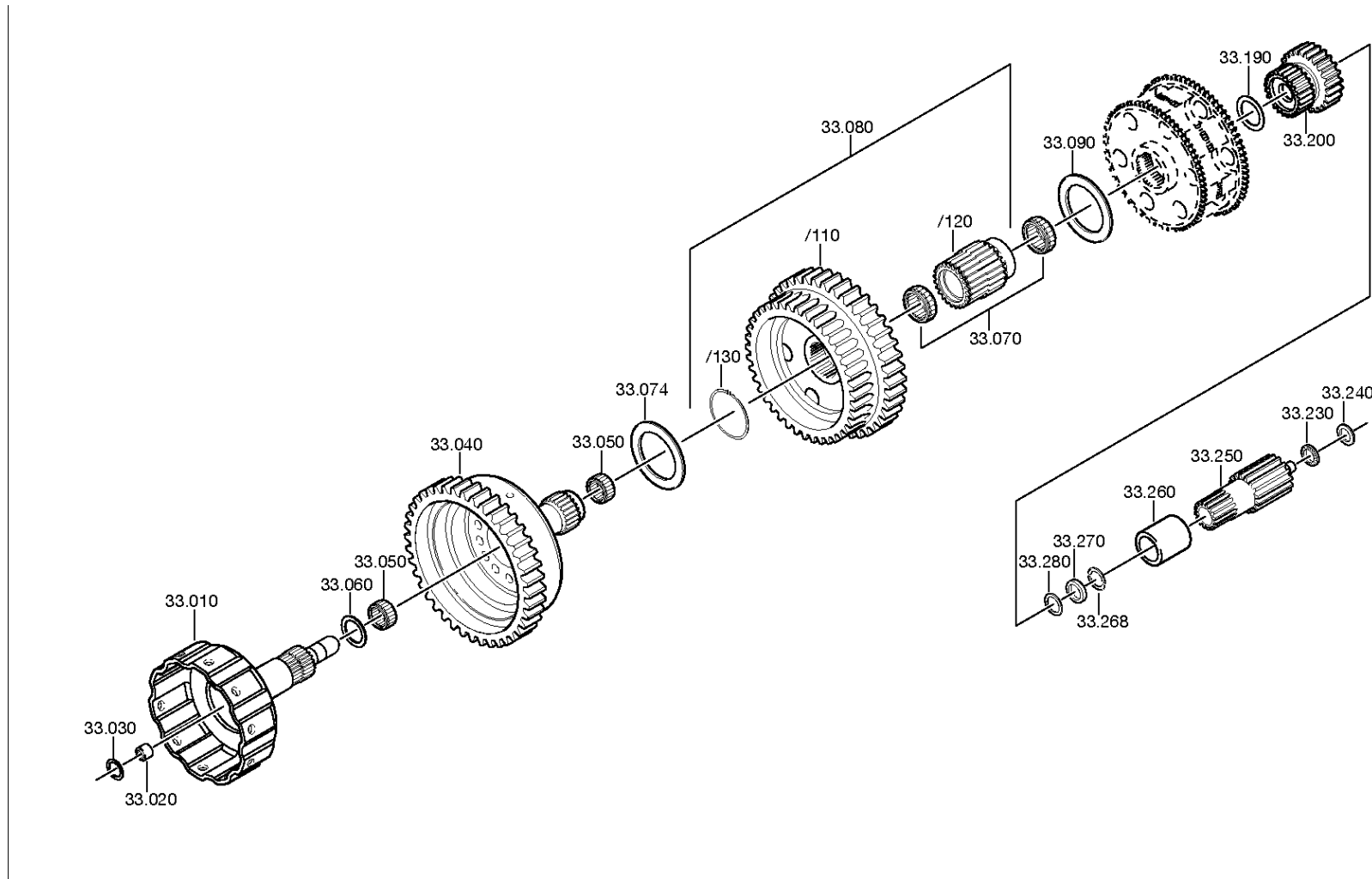
Material number: 4139.065.303

Plant: 004.10.05-1

GEARBOX



6 HP-600 /  
GEARBOX



# Plant

Page 2 from 2

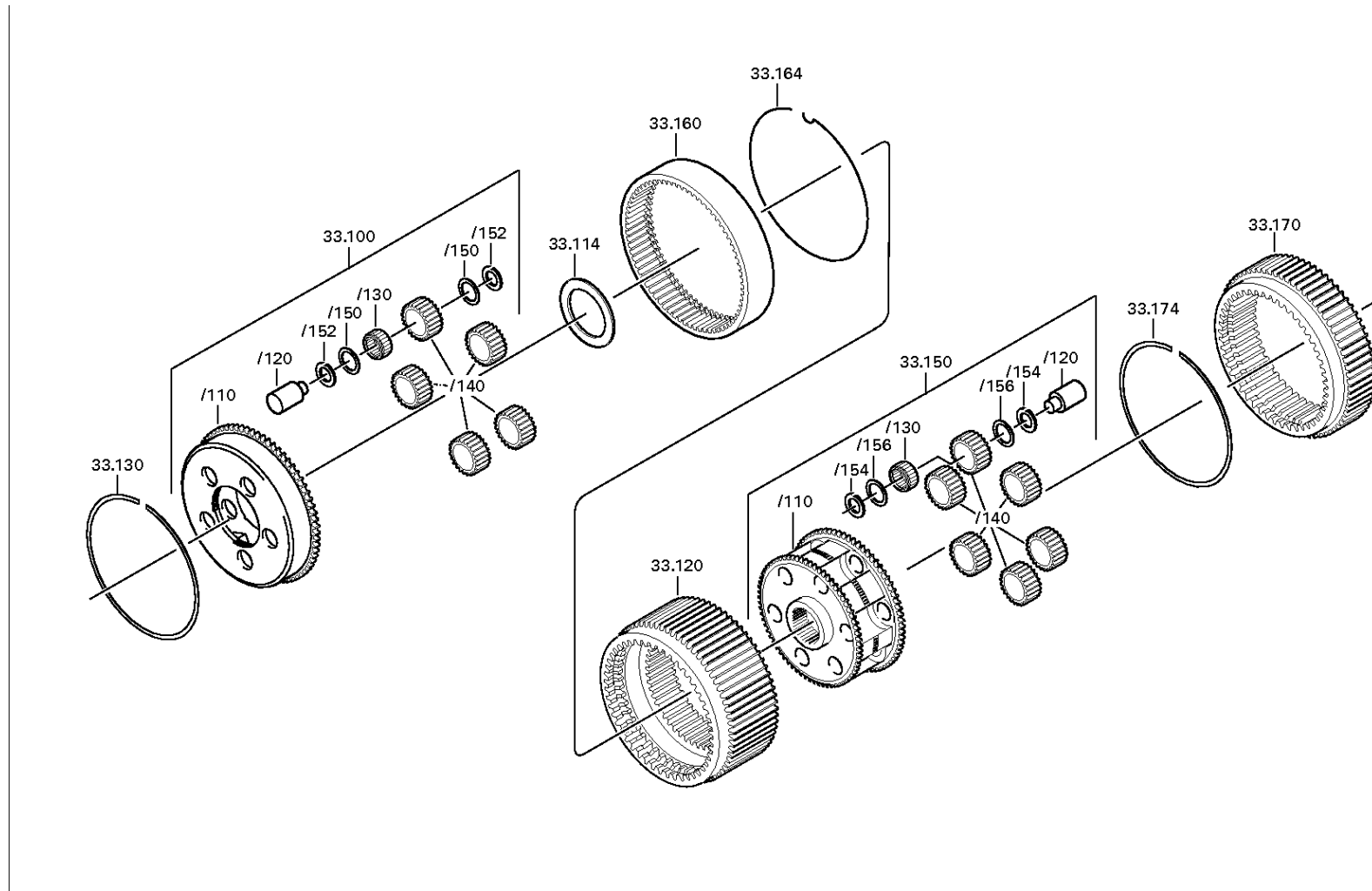
Material number: 4139.065.303

Plant: 004.10.03-1

GEARBOX



6 HP-600 /  
GEARBOX



# Plant

Page 1 from 2

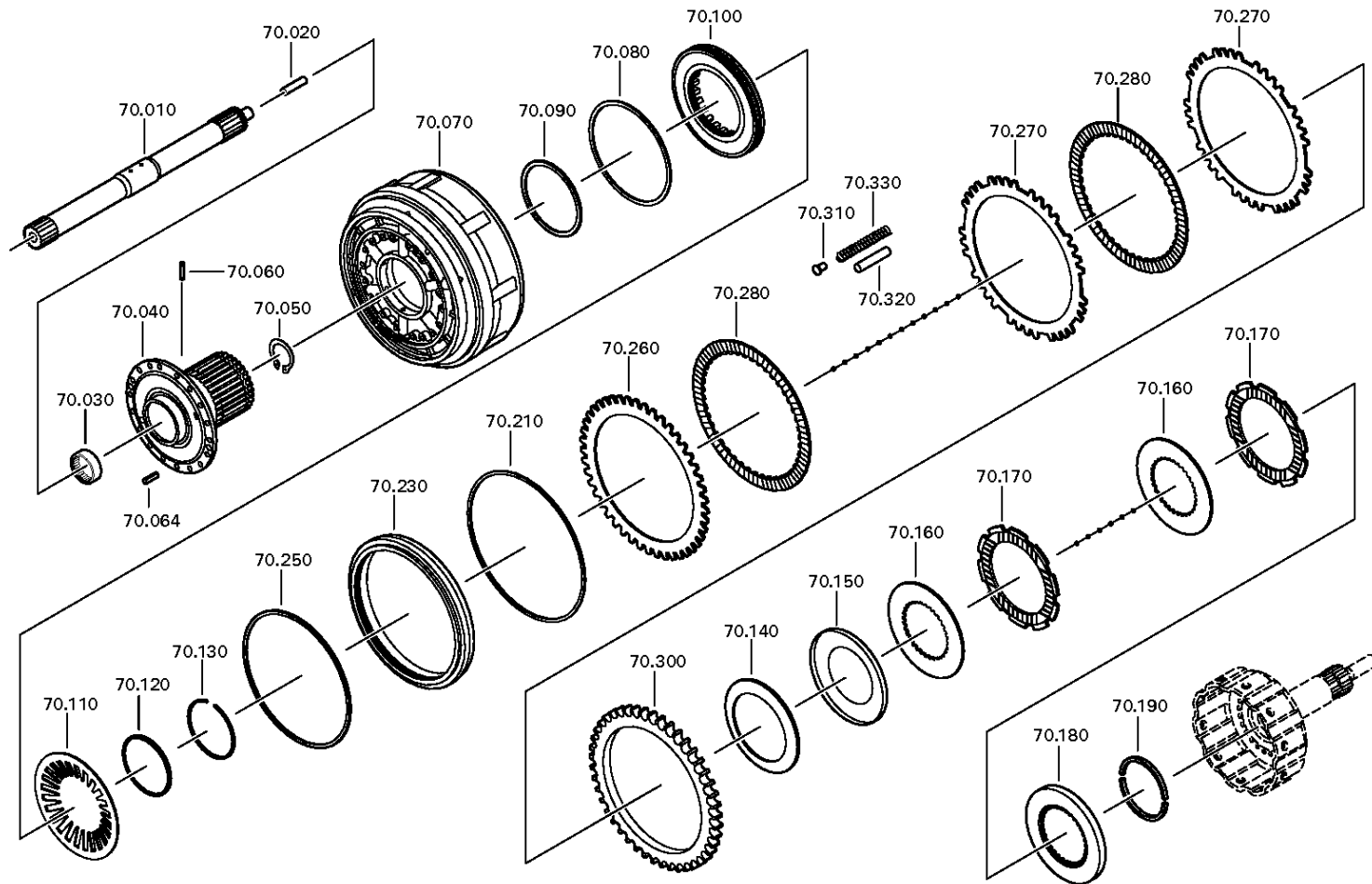
Material number: 4139.065.303

Plant: 004.13.01-1

Material-assembly-group-no: 4139.170.036



6 HP-600 /  
COUPLING



# Plant

Page 2 from 2

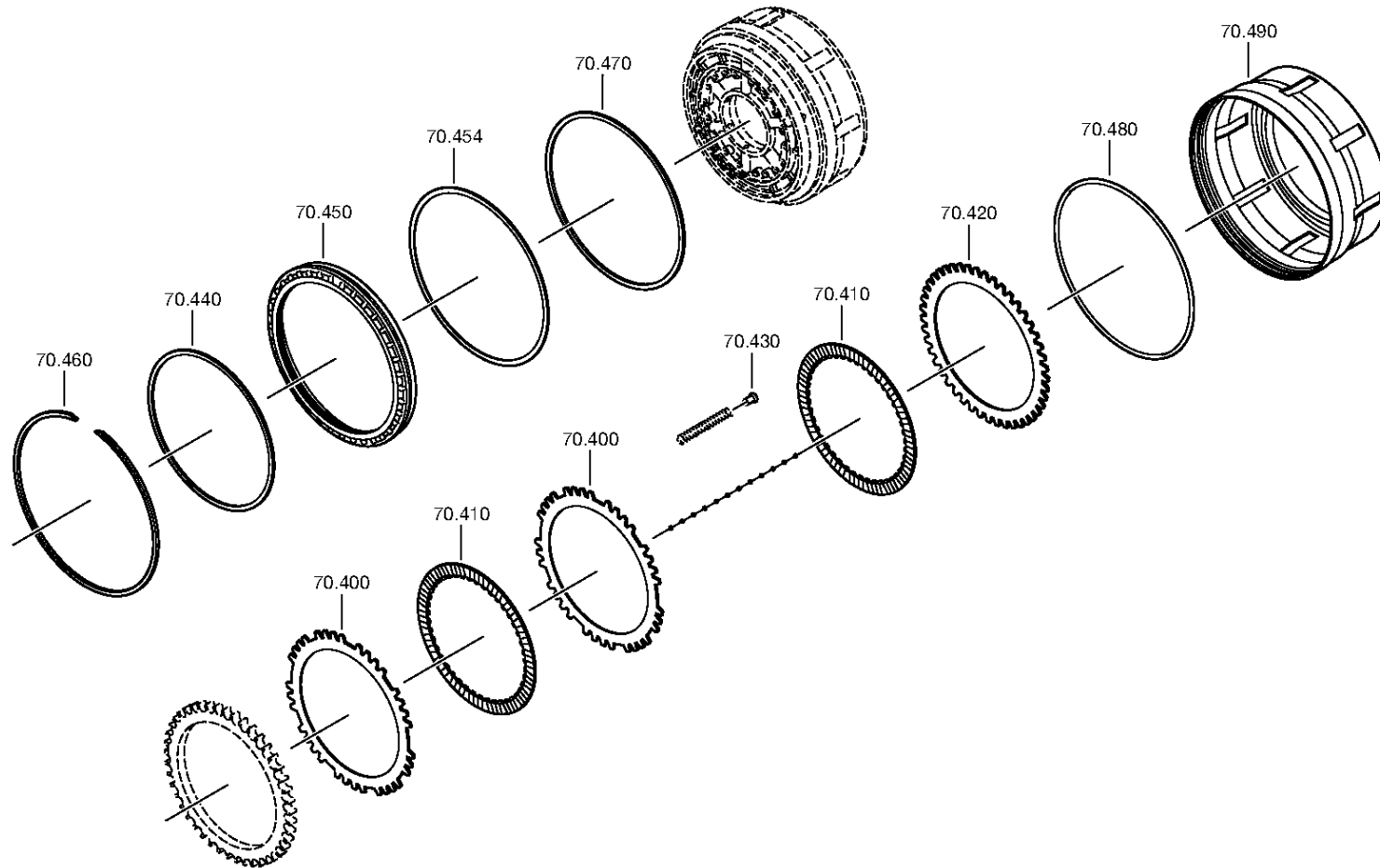
Material number: 4139.065.303

Plant: 004.13.01-2

Material-assembly-group-no: 4139.170.036



6 HP-600 /  
COUPLING



# Plant

Page 1 from 1

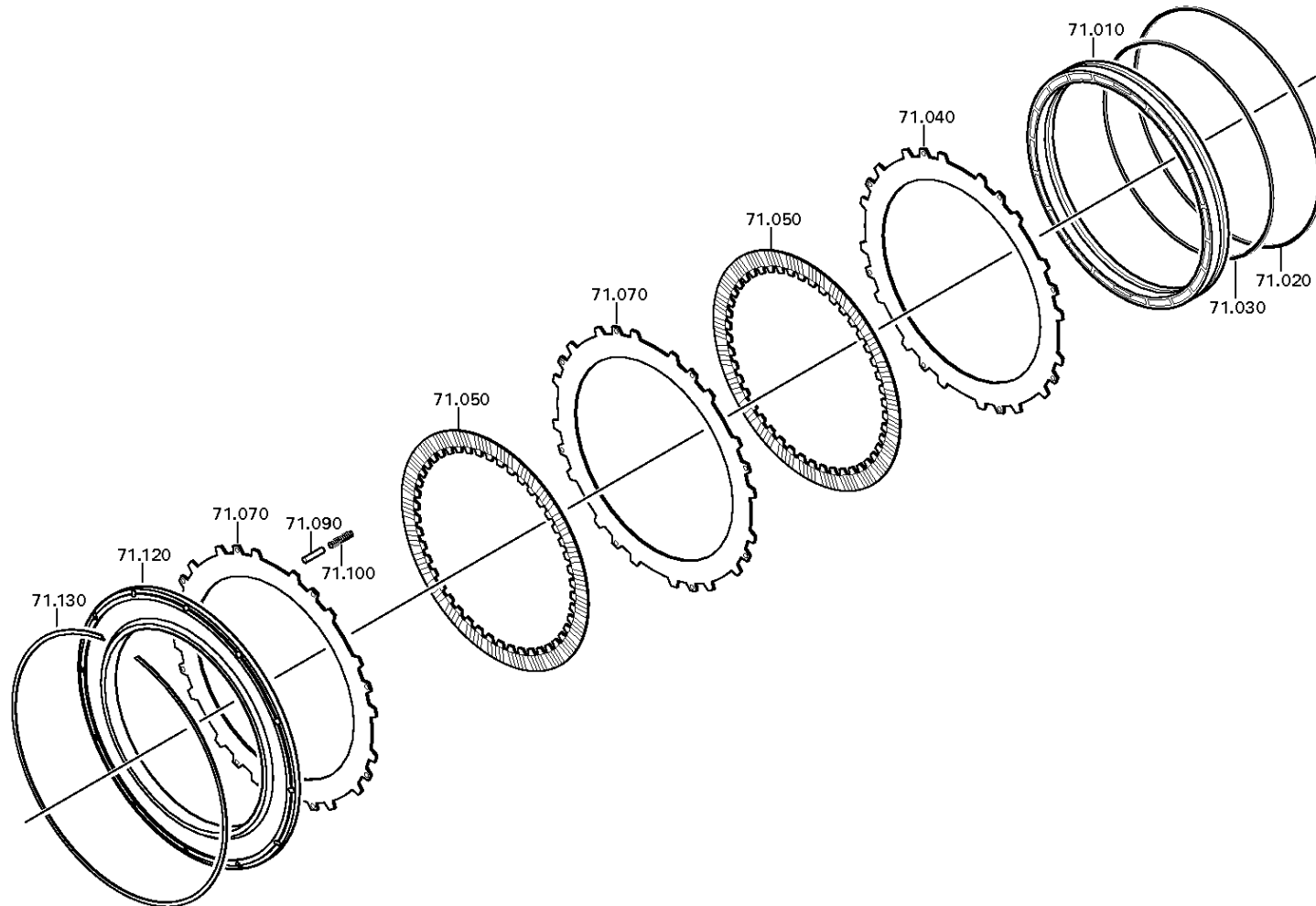
Material number: 4139.065.303

Plant: 004.14.01-1

Material-assembly-group-no: 4139.171.008



6 HP-600 /  
BRAKE



# Plant

Page 1 from 1

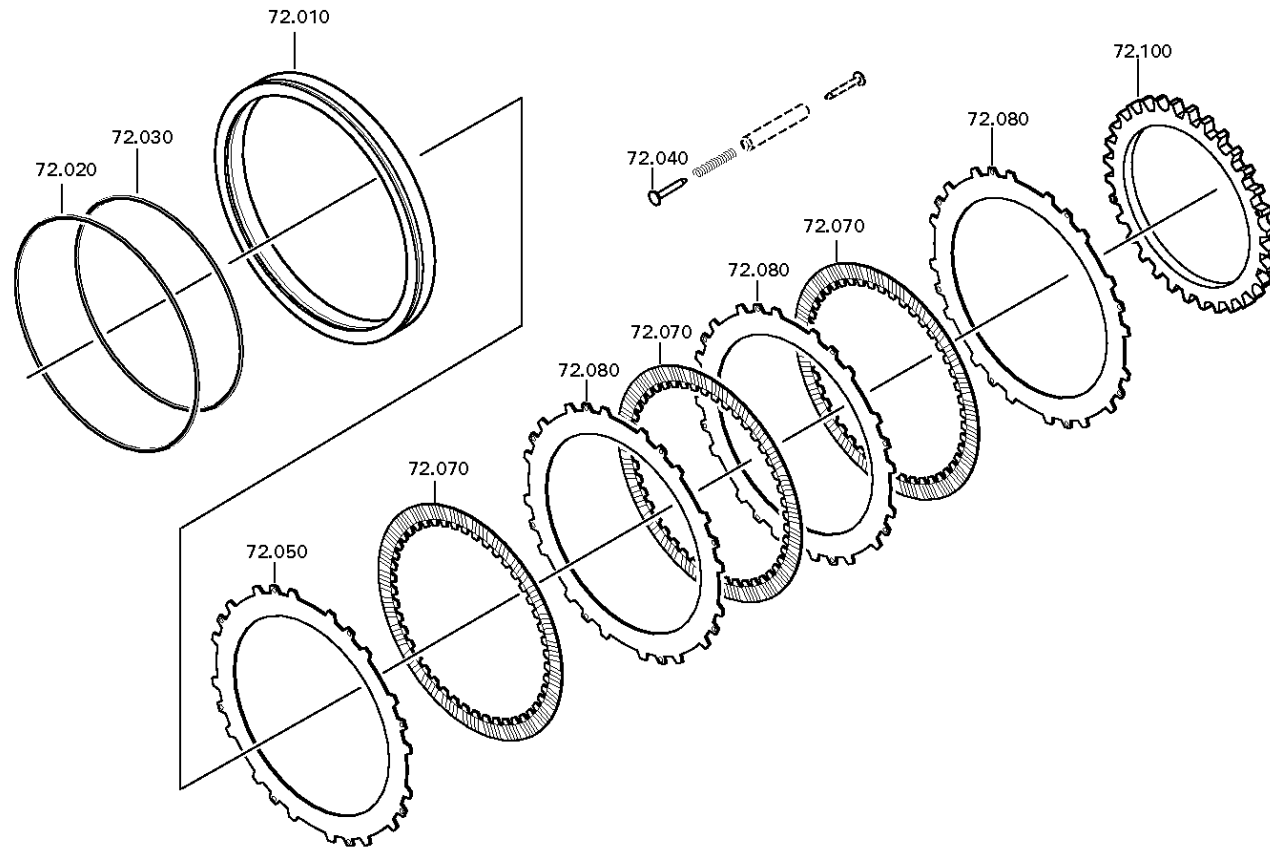
Material number: 4139.065.303

Plant: 004.15.01-1

Material-assembly-group-no: 4139.172.002



6 HP-600 /  
BRAKE



# Plant

Page 1 from 1

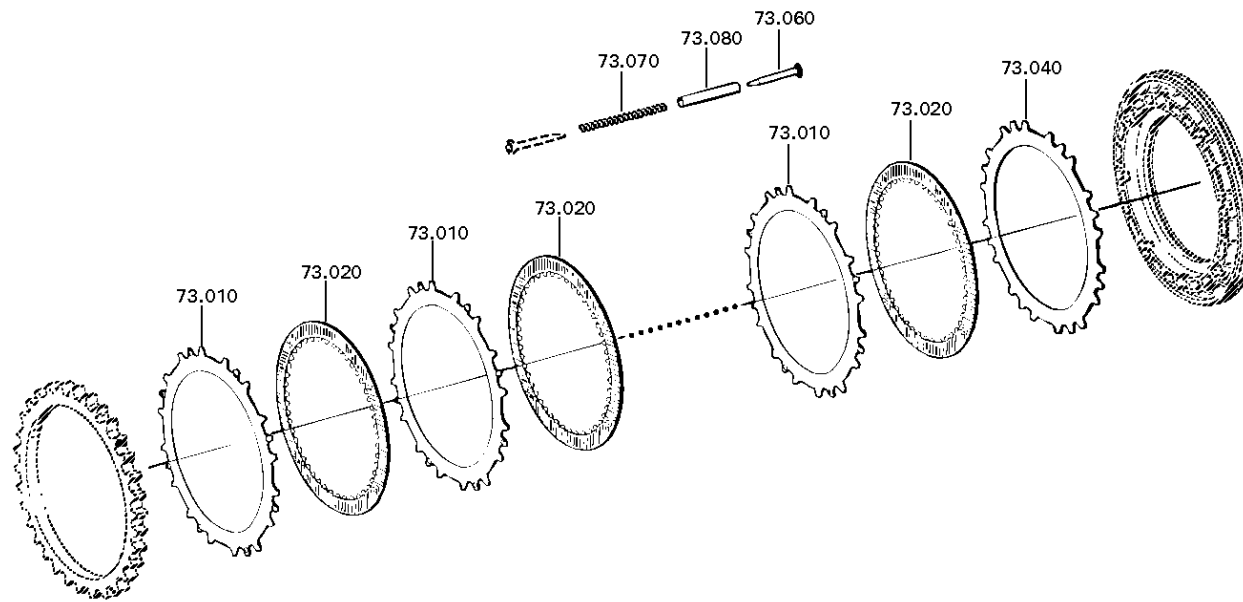
Material number: 4139.065.303

Plant: 004.16.02-1

Material-assembly-group-no: 4139.173.004



6 HP-600 /  
BRAKE



# Plant

Page 1 from 2

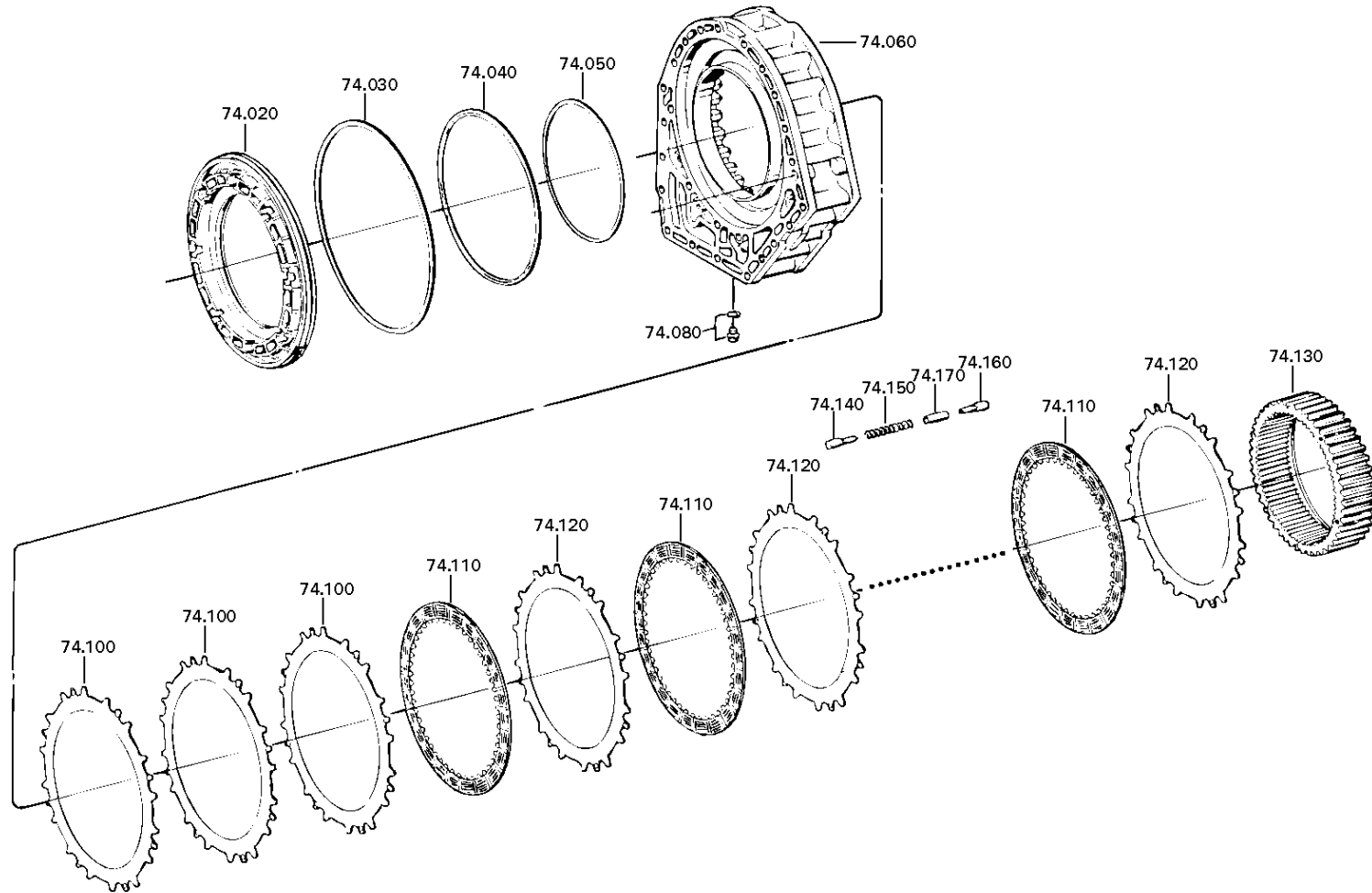
Material number: 4139.065.303

Plant: 004.17.01-1

BRAKE



6 HP-600 /  
BRAKE





# Plant

Page 2 from 2

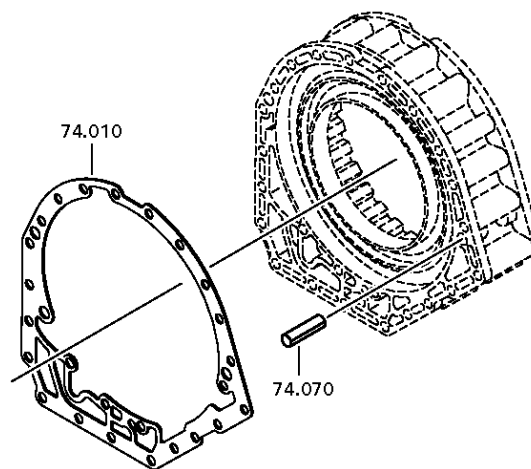
Material number: 4139.065.303

Plant: 004.17.80-1

BRAKE



6 HP-600 /  
BRAKE



# Plant

Page 1 from 2

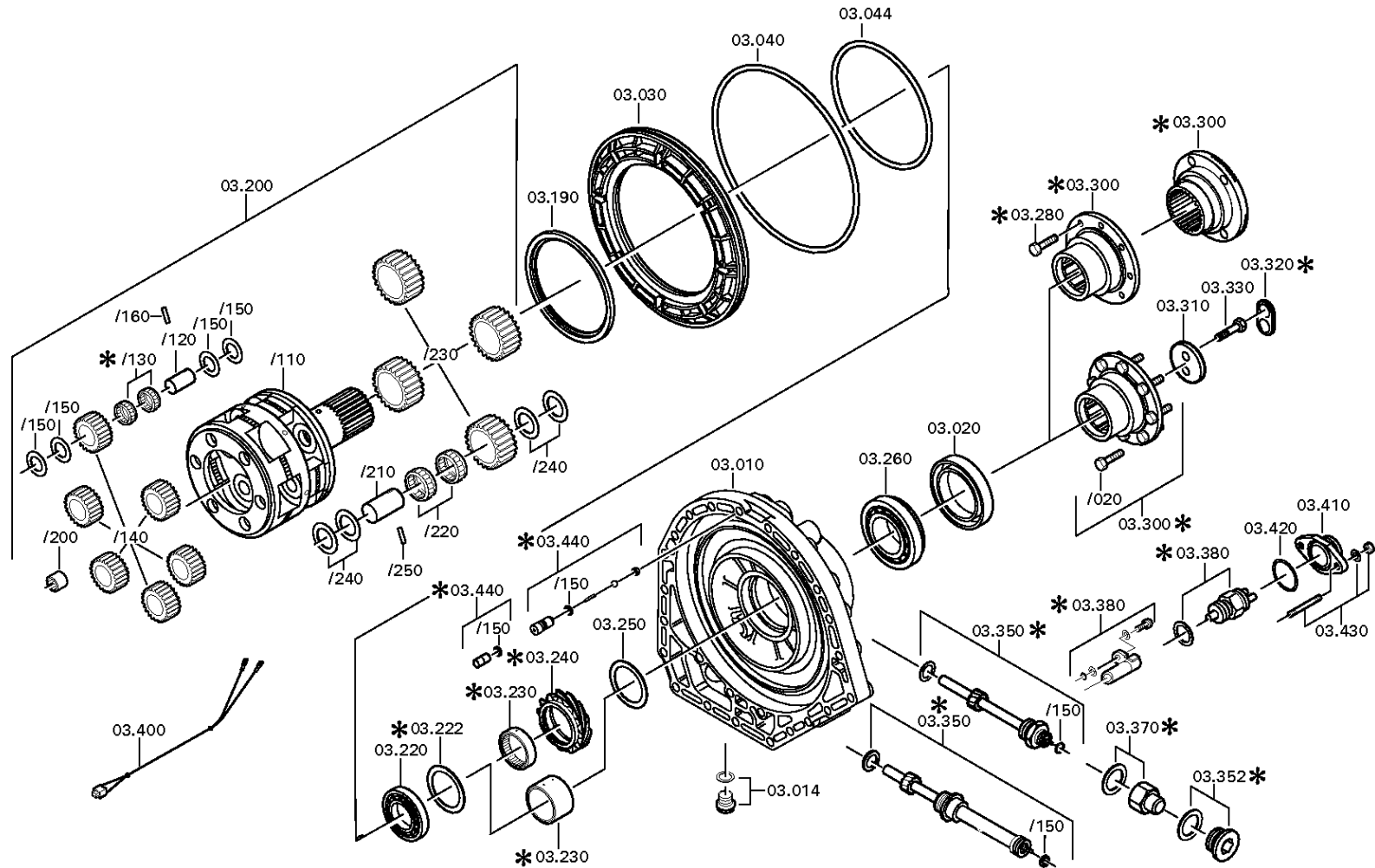
Material number: 4139.065.303

Plant: 004.20.06-1

OUTPUT



6 HP-600 /  
OUTPUT



# Plant

Page 2 from 2

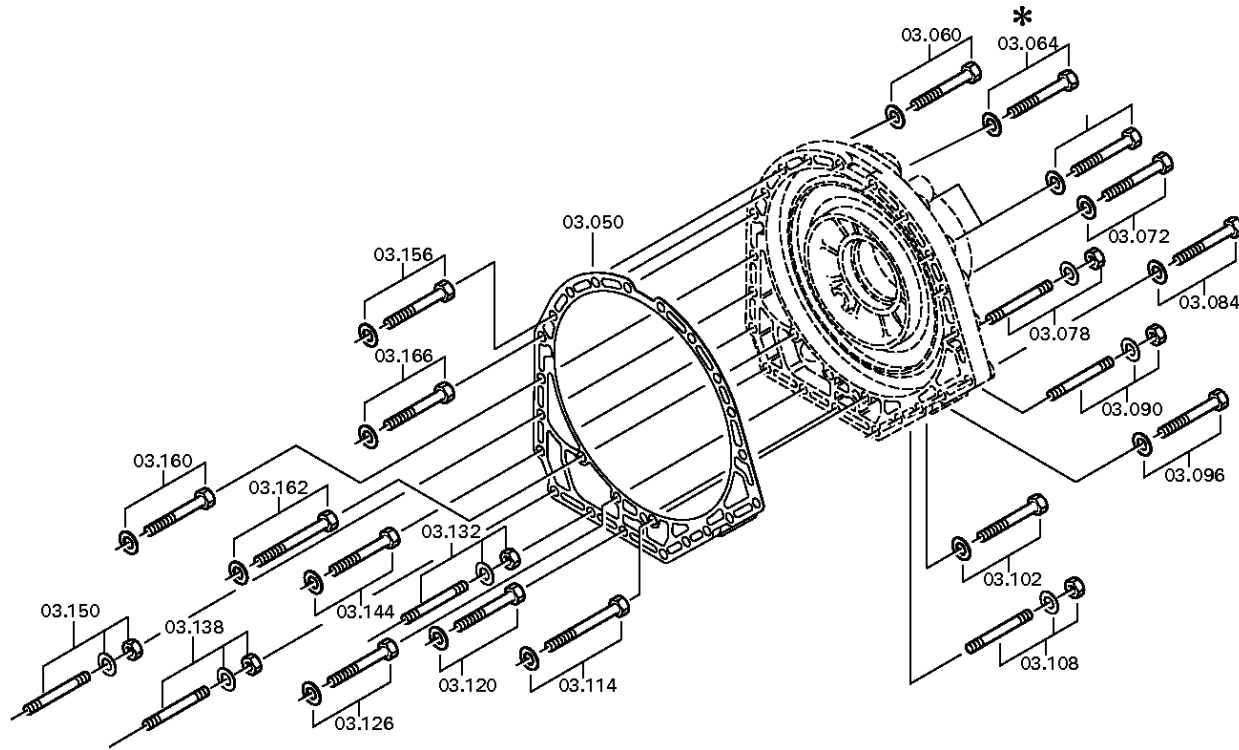
Material number: 4139.065.303

Plant: 004.20.61-1

OUTPUT



6 HP-600 /  
OUTPUT



# Plant

Page 1 from 5

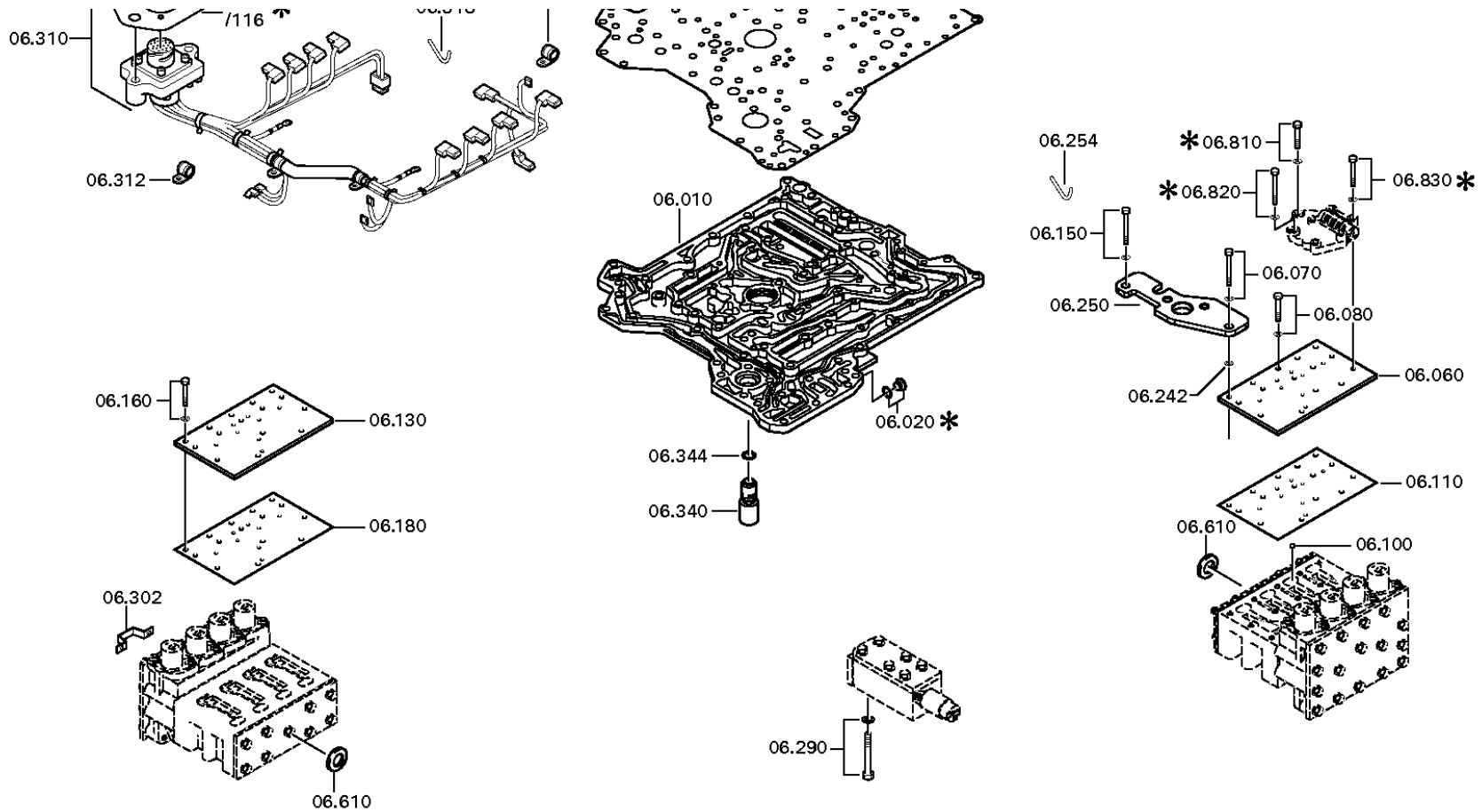
Material number: 4139.065.303

Plant: 004.048.001-1

SHIFT CONTROL



6 HP-600 /  
SHIFT CONTROL



# Plant

Page 2 from 5

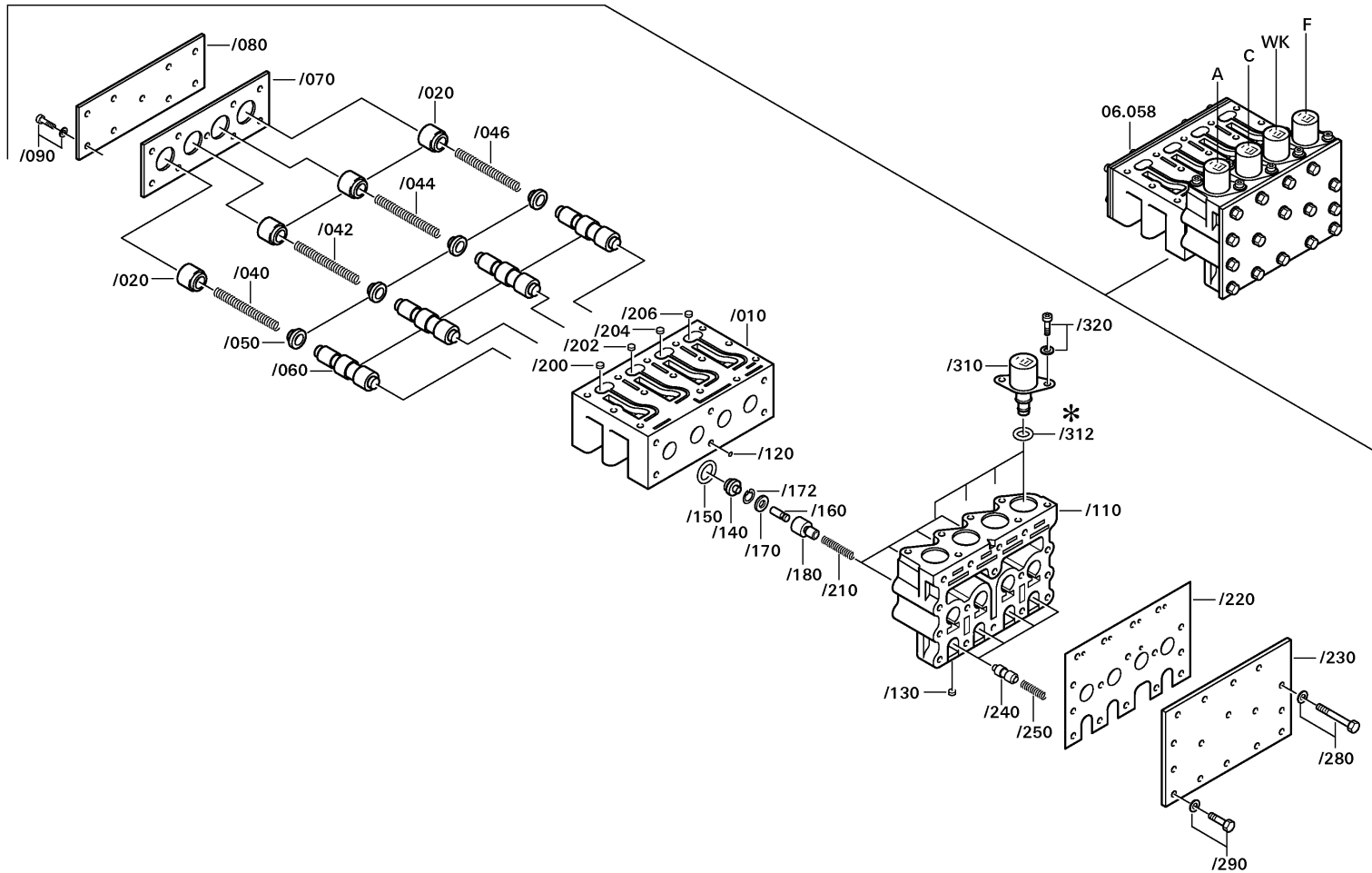
Material number: 4139.065.303

Plant: 004.048.001-2

SHIFT CONTROL



6 HP-600 /  
SHIFT CONTROL



# Plant

Page 3 from 5

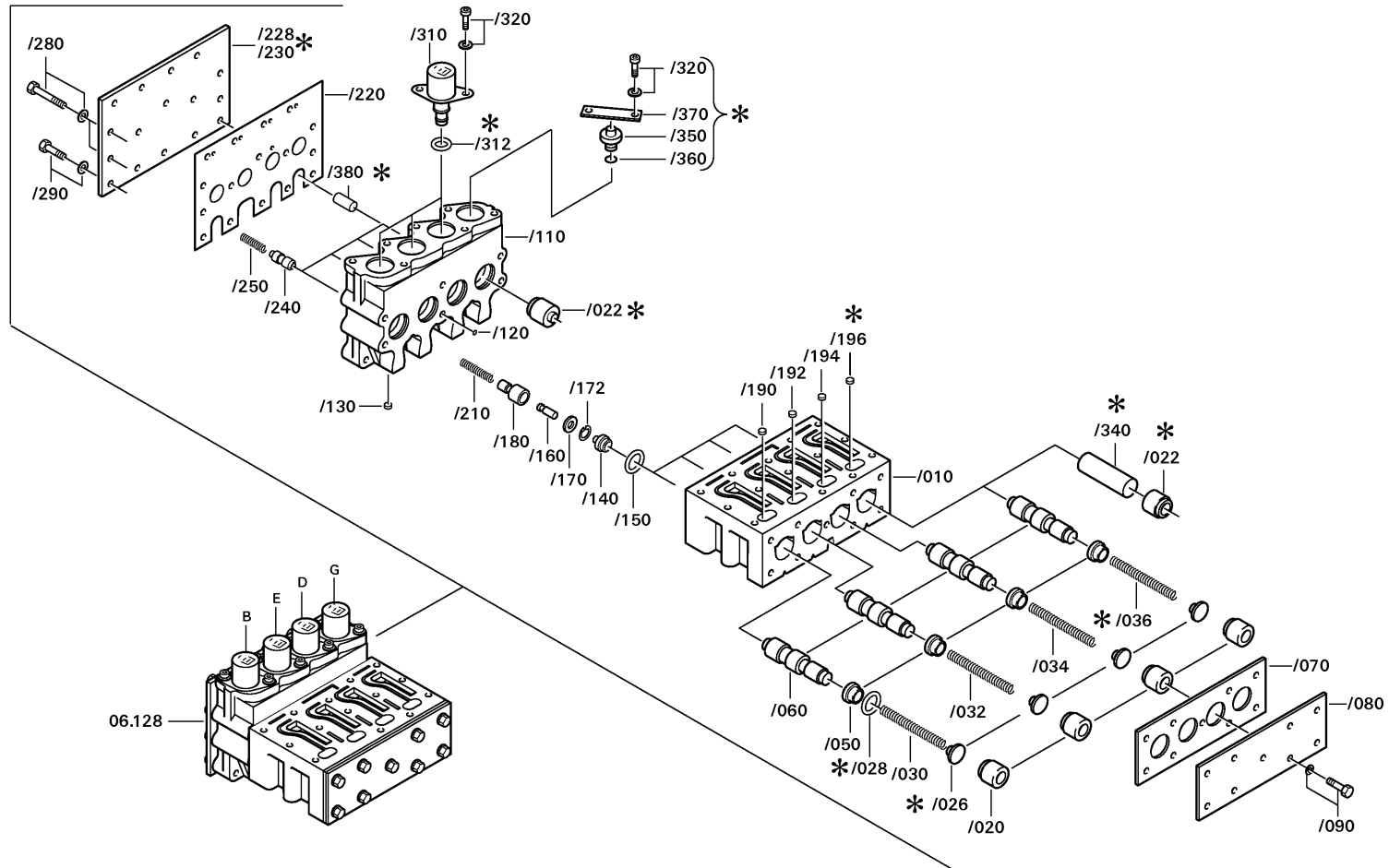
Material number: 4139.065.303

Plant: 004.048.001-3

SHIFT CONTROL



6 HP-600 /  
SHIFT CONTROL



# Plant

Page 4 from 5

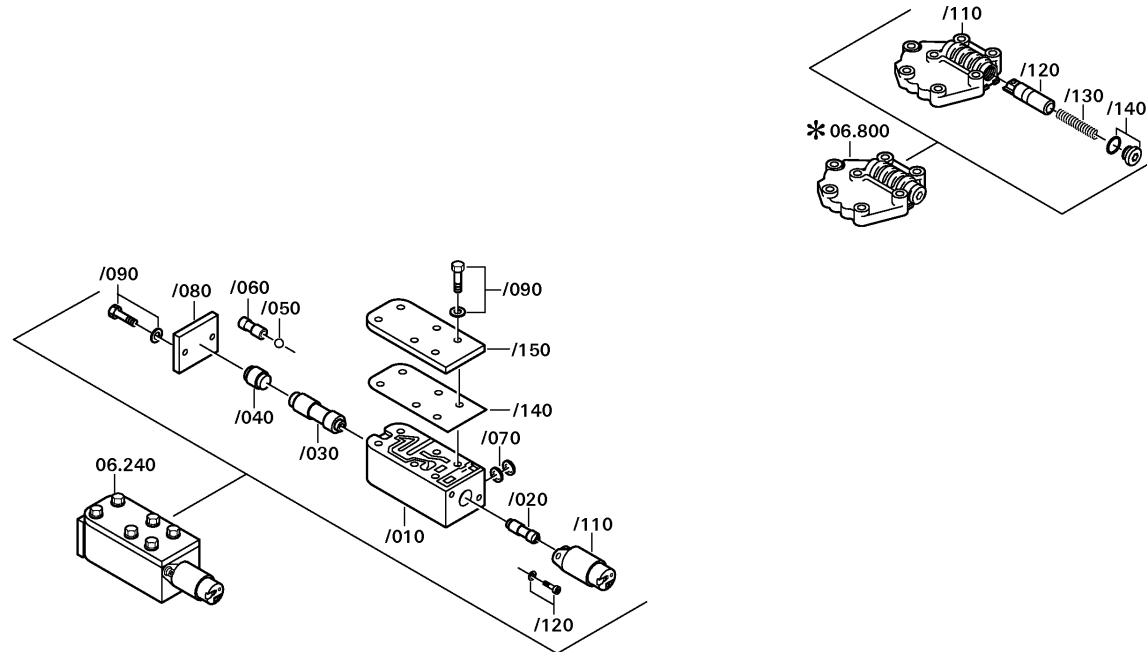
Material number: 4139.065.303

Plant: 004.048.001-4

SHIFT CONTROL



6 HP-600 /  
SHIFT CONTROL



# Plant

Page 5 from 5

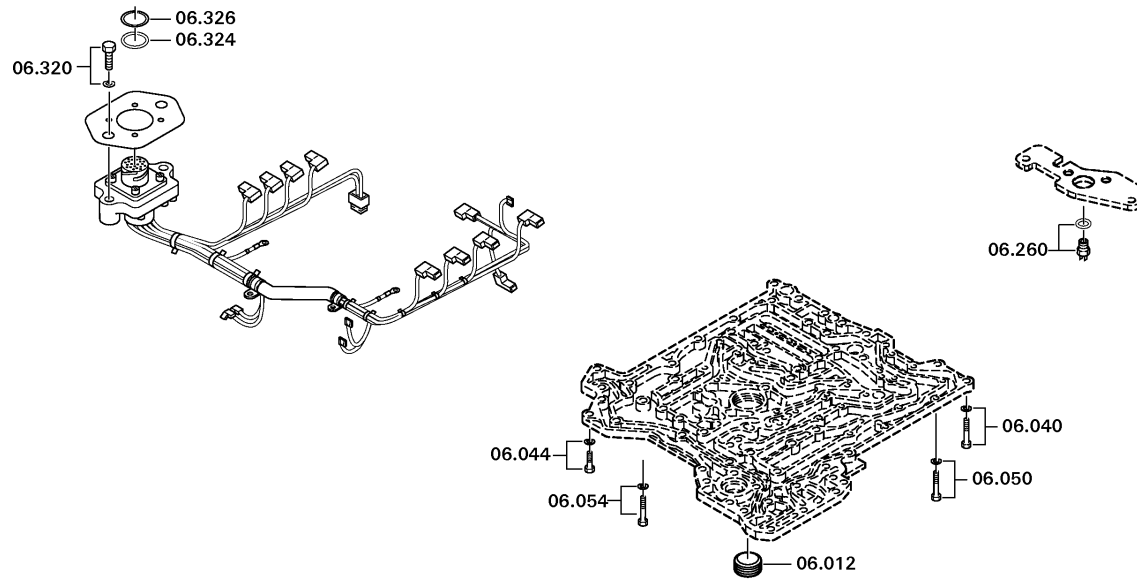
Material number: 4139.065.303

Plant: 004.048.083-1

SHIFT CONTROL



6 HP-600 /  
SHIFT CONTROL





# Plant

Page 1 from 6

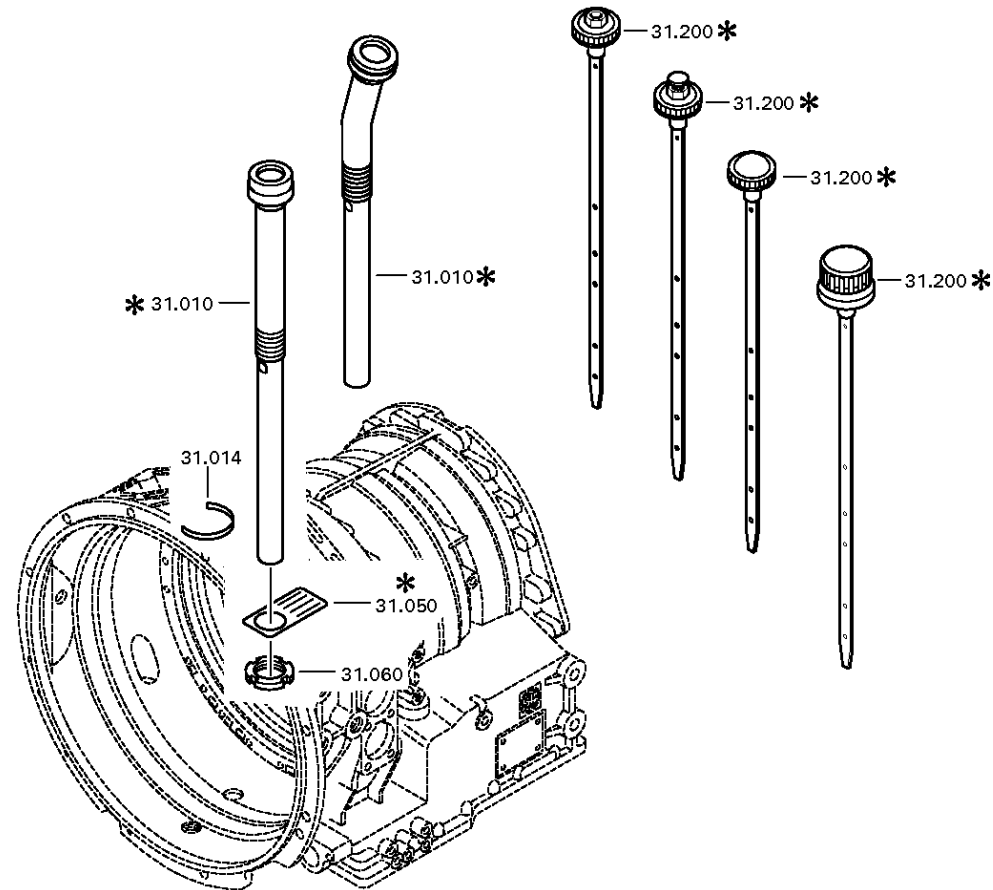
Material number: 4139.065.303

Plant: 004.56.40-1

DIPSTICK PARTS



6 HP-600 /  
DIPSTICK PARTS



# Plant

Page 2 from 6

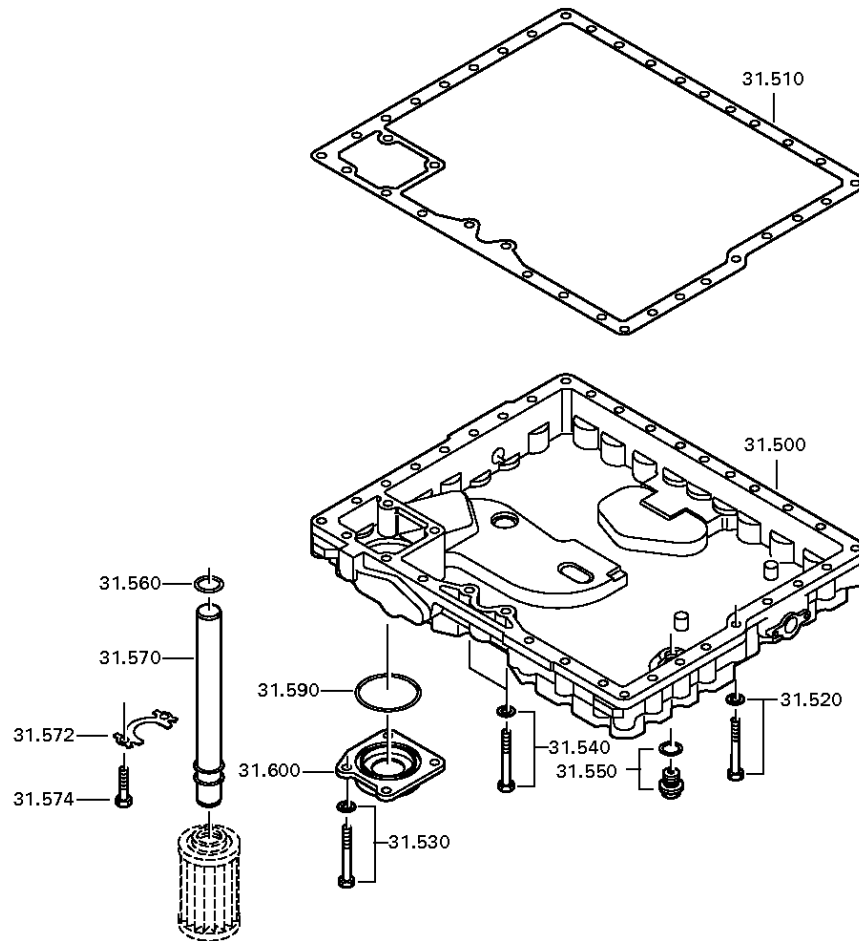
Material number: 4139.065.303

Plant: 004.56.02-1

DIPSTICK PARTS



6 HP-600 /  
DIPSTICK PARTS



# Plant

Page 3 from 6

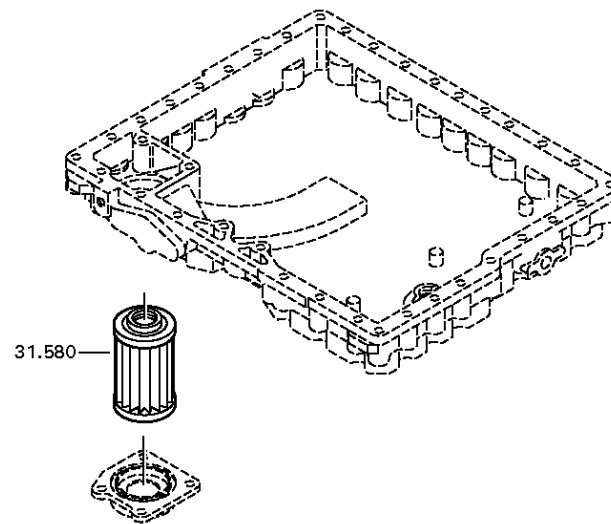
Material number: 4139.065.303

Plant: 004.56.13-1

DIPSTICK PARTS



6 HP-600 /  
DIPSTICK PARTS



# Plant

Page 4 from 6

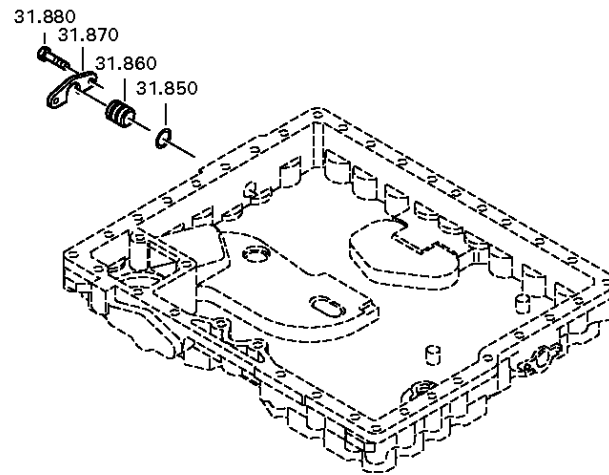
Material number: 4139.065.303

Plant: 004.56.14-1

DIPSTICK PARTS



6 HP-600 /  
DIPSTICK PARTS



# Plant

Page 5 from 6

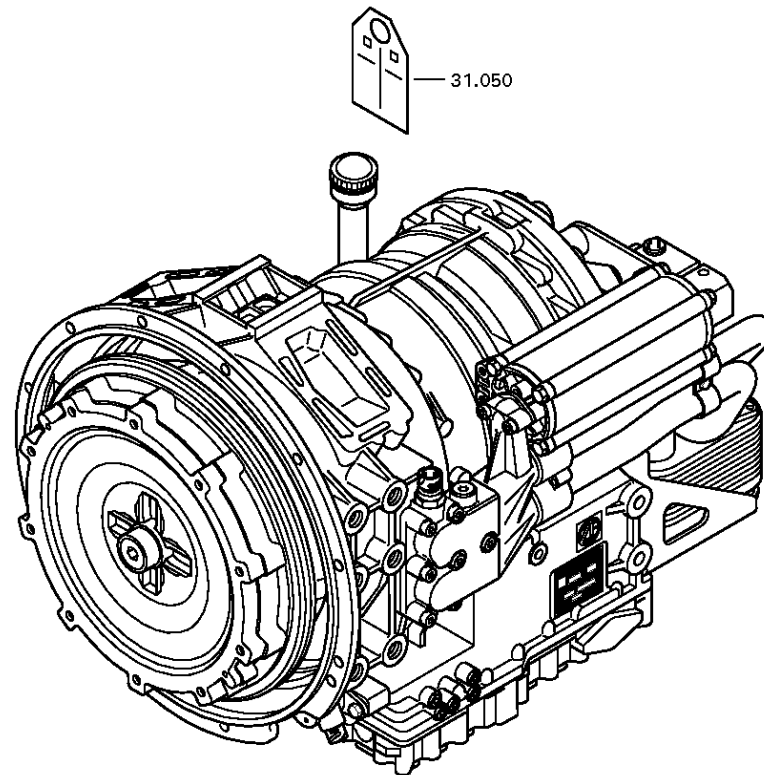
Material number: 4139.065.303

Plant: 004.56.69-1

DIPSTICK PARTS



6 HP-600 /  
DIPSTICK PARTS



# Plant

Page 6 from 6

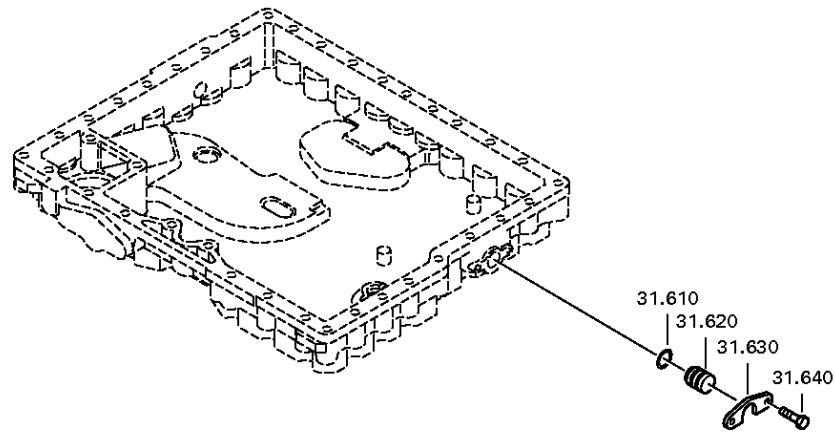
Material number: 4139.065.303

Plant: 004.56.97-1

DIPSTICK PARTS



6 HP-600 /  
DIPSTICK PARTS



# Plant

Page 1 from 2

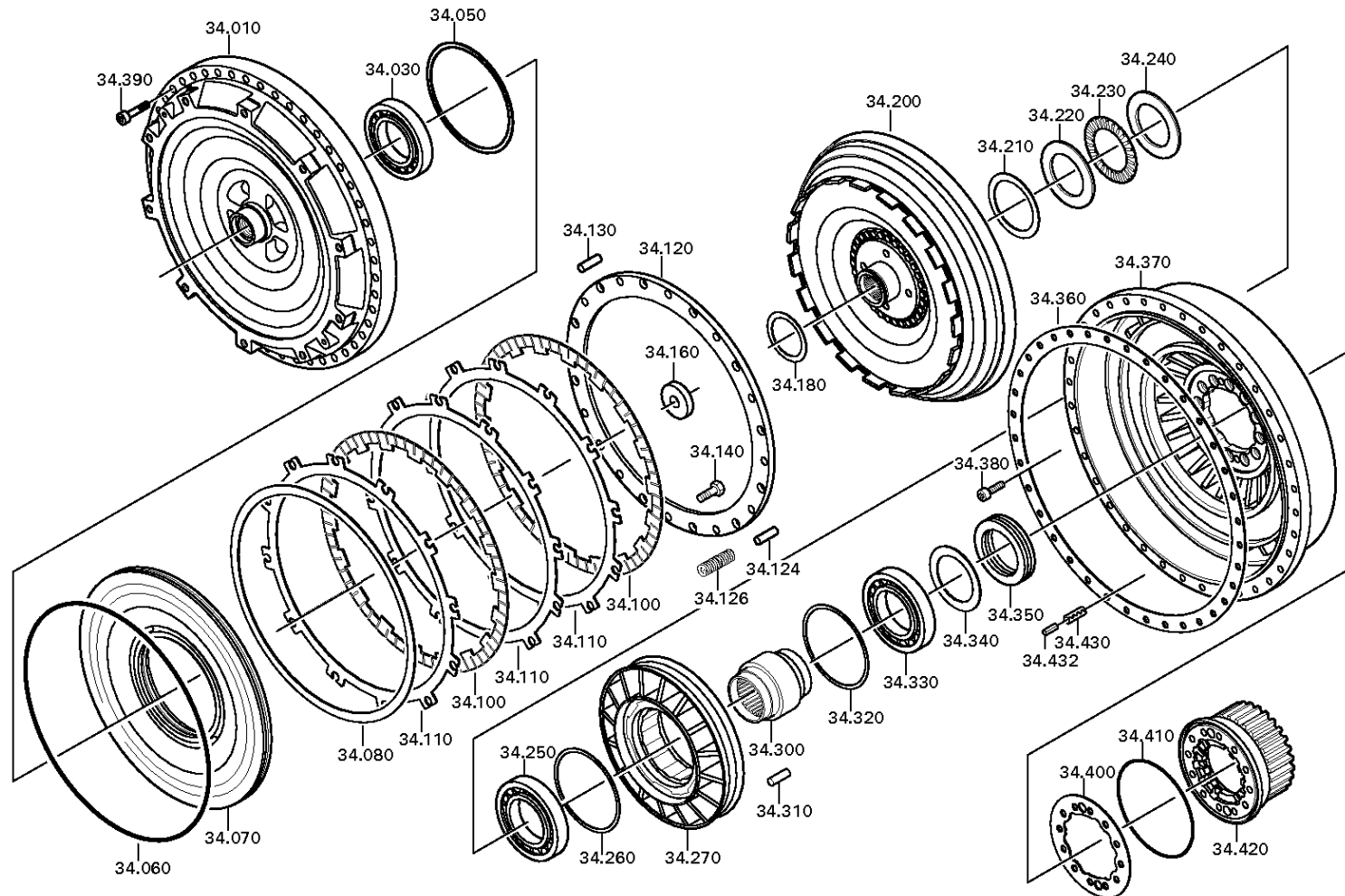
Material number: 4139.065.303

Plant: 004.59.03-1

CONVERTER



6 HP-600 /  
CONVERTER



# Plant

Page 2 from 2

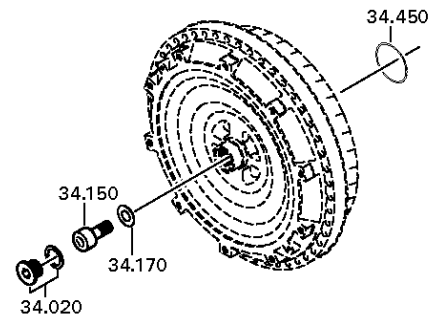
Material number: 4139.065.303

Plant: 004.59.80-1

CONVERTER



6 HP-600 /  
CONVERTER





# Plant

Page 1 from 1

Material number: 4139.065.303

Plant: 004.90.18-1

Material-assembly-group-no: 4139.147.307



6 HP-600 /  
HEAT EXCHANGER

