



# Spare Parts Catalog

2 HL 100

Material number: 4143.000.177

Current date: 24.07.2023

ZF Friedrichshafen AG  
Hauptverwaltung  
80038 Friedrichshafen  
Deutschland

Telefon: +49 7541 77-0

Telefax: +49 7541 77-908000

[www.zf.com](http://www.zf.com)

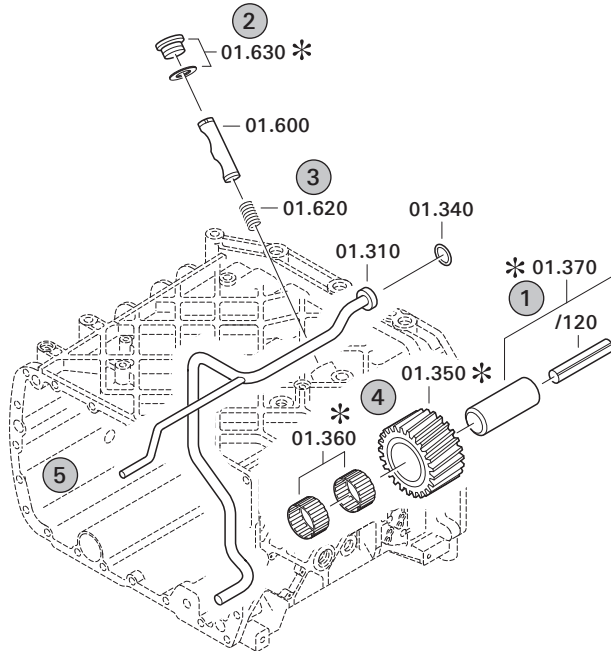
zuständiges Werk:  
Passau

# Notes relating to the spare parts catalog

## Setup of the spare parts catalog

- Cover sheet
- Technical Cover (only in SDM print)
- Overview of figures
- Figure
- Associated parts list
- Next figure
- Associated parts list
- ...

## Figure and parts list



## Overview of figures

Bildtafel Figure	Sachnummer Product number	Benennung (Description)	Technische Info Technical info	Description (Benennung)	Menge Quantity	Einheit Unit
068.08.17	1316.170.001	AUSLEGER	WL	SHIFT TURRET	1	Stk
068.08.06	1316.170.031	DECKEL	WL*H-H *VM	COVER	1	Stk
068.08.14	1316.170.808	DECKEL	WL*AUSL+GEH*H-H*HF160N	COVER	1	Stk
08	1316.170.441	ANSCHLUSSTEILE	WL*NG-VORB*RG-SCHL*168N *BAJONETT	CONNECTING PARTS	1	Stk

The "gap" indicates that there is no separate graphics panel (poster) for this assembly  
The parts of this assembly are shown with the same mid-section number on the figure

### 1 Positions and subpositions

Pos.	Sachnummer Product number	Benennung (Description)	Technische Info Technical info	Description (Benennung)	Menge Quantity	Einheit Unit
0370	1315.201.054	RUECKLAUFBOLZEN	KPL.16S151*SG*L= 79	REV.IDLER SHAFT	1	Stk
/0120	0631.329.293	SPANNSTIFT		SLOT. PIN	1	Stk

Positions marked with "/" are the individual items of a completion  
For example: Position 0370 contains a centering pin with the position /0120

### 2 Combinations with standardized parts

Pos.	Sachnummer Product number	Benennung (Description)	Technische Info Technical info	Description (Benennung)	Menge Quantity	Einheit Unit
0630		VERSCHL.SCHR.		SCREW PLUG	1	Stk
	0636.302.067	VERSCHL.SCHR.		SCREW PLUG	1	Stk
	0634.801.249	DICHTRING	A 26 X 31	SEALING RING	1	Stk

The parts list shows the components included in the combination of standardized parts

### 3 Depiction of position/item number on the figure and in the parts list

01.620 - on the figure      01 relates to the assembly in which the position is included. Due to program-related reasons, it is shown on the figure.

0620 - in the parts list

Pos.	Sachnummer Product number	Benennung (Description)	Technische Info Technical info	Description (Benennung)	Menge Quantity	Einheit Unit
0620	0732.040.736	DRUCKFEDER		COMPRESSION SPRING	1	Stk

### 4 \*-Positions

Positions marked with an \* are optional i.e. inclusion in the parts list is not mandatory.  
The following note is shown on the figure

je nach Stücklistenausführung  
depending on spec. number  
\* suivant la nomenclature  
secondo la distinta base

### 5 Parts, dotted display

Parts with dotted display on the figure are only used for orientation of other parts

# Technical Cover

Page 1 from 1

Material number: 4143.000.177



2 HL 100 /

Pos.	Information	Amendment number
	PRODUCT DESCRIPTION:	
	TYPE: 2 HL 100	
	INSTALLATION: SEPARATELY	
	INSTAL.POSITION: HORIZONTAL	
	RATIOS:	
	1.G=5,35 2.G=1,39	
	CLUTCH THRUST: 31+4 BAR	
	BRAKE:	
	AUXILIAR BRAKE AND PARKING BRAKE	
	BRAKING-OPERATION:INTERLOCKED SEP.CLUTCHES	
	BRAKE TORQUE:SEE BRAKE CALCULATION	
	SHIFT SECURING DEVICE: HYDR.	
	ADJUSTING: 730-850 UPM	
	LEAKAGE OIL RETURN PIPE:PRESSURE MAX. 0,8 BAR	
	WASTE OIL QUANTITY: MAX. 1L/MIN.	
	DRAWINGS:	
	SECT.DRAWING: 4143 000 151()	
	INST.DRAWING: 4143 600 032(0)	
	ASS. INSTR.:	
	SETTING SPECIF.: 4143 700 036(4)	
	SPEZIFICATION: 4143 700 044(4)	
	CONNECTOR: 6029 301 062()	
	WIRING DIAGRAM:	
	HYDR.SCHEMA: 4143 700 031( )	
	TEST SPECIFICATION: 4143 760 006( )	
	OIL CAPACITY:	
	OIL FILLING: NO	
	OIL SPECIF.LIST OF LUBRIC. TE ML 07 / 2 HL 100	
	SHIFT SECURING DEVICE:	
	WEIGHT TOTAL: 137KG	
	COLOUR: 5 BLACK RAL 9005	

# Assembly group overview

Page 1 from 2

Material number: 4143.000.177



2 HL 100 /

Picture	Pos.	Material number	Name	Quantity	Amend. no.	Techn. Info.
414312504800	490	4143.125.048	INPUT HOUSING	1		
414310200200	30	4143.102.002	INPUT	1		
414310240600	40	4143.102.406	INPUT	1		
	10	4143.101.009	HOUSING	1		
414310141050	20	4143.101.410	HOUSING	1		
414312100221	410	4143.121.005	OIL PIPE	1		
414315200200	830	4143.152.002	COUPLING	1		
414315200302	840	4143.152.404	COUPLING	1		
414315100600	810	4143.151.006	MULTIDISK BRAKE	1		
414315140500	820	4143.151.405	MULTIDISK BRAKE	1		
414311500100	290	4143.115.003	PLANETARY DRIVE	1		
414313400120	574	4143.134.002	DISCONNECTION	1		
414313500200	590	4143.135.002	SPUR GEAR DRIVE	1		
414313540500	600	4143.135.405	SPUR GEAR DRIVE	1		
414314202420	710	4143.142.024	GEAR SHIFT SENSOR	1		
414314201620	715	4143.142.408	GEAR SHIFT SENSOR	1		
414314240620	720	4143.142.406	GEAR SHIFT SENSOR	1		

# Assembly group overview

Page 2 from 2

Material number: 4143.000.177



2 HL 100 /

Picture	Pos.	Material number	Name	Quantity	Amend. no.	Techn. Info.
414310300500	50	4143.103.005	OUTPUT	1		
414310340100	60	4143.103.401	OUTPUT	1		

# Picture

Page 1 from 1

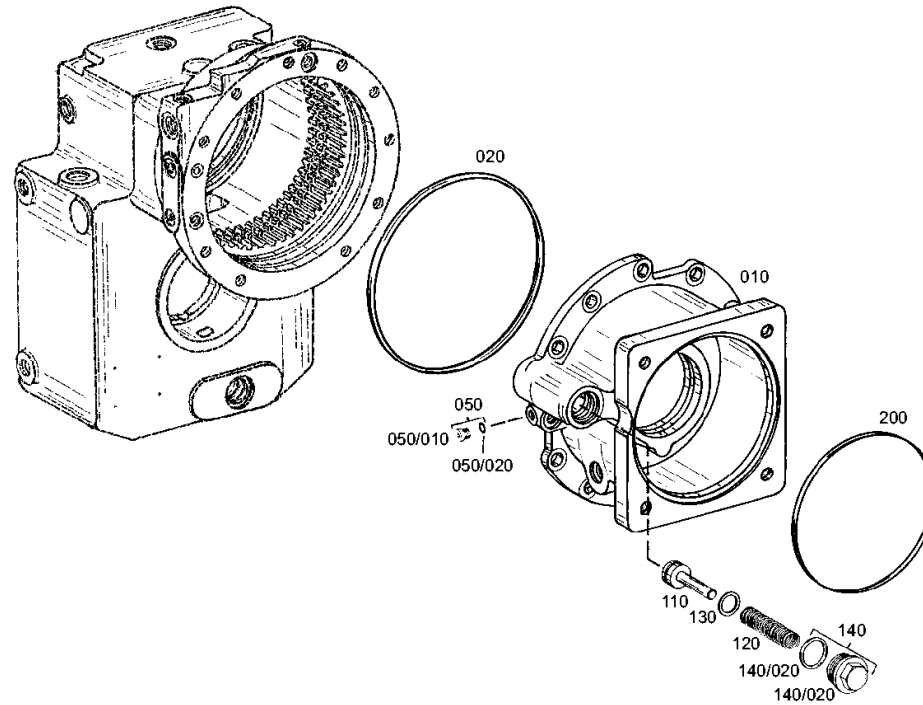
Material number: 4143.000.177

Picture: 414312504800

Material-assembly-group-no: 4143.125.048



2 HL 100 /  
INPUT HOUSING



# Picture

Page 1 from 1

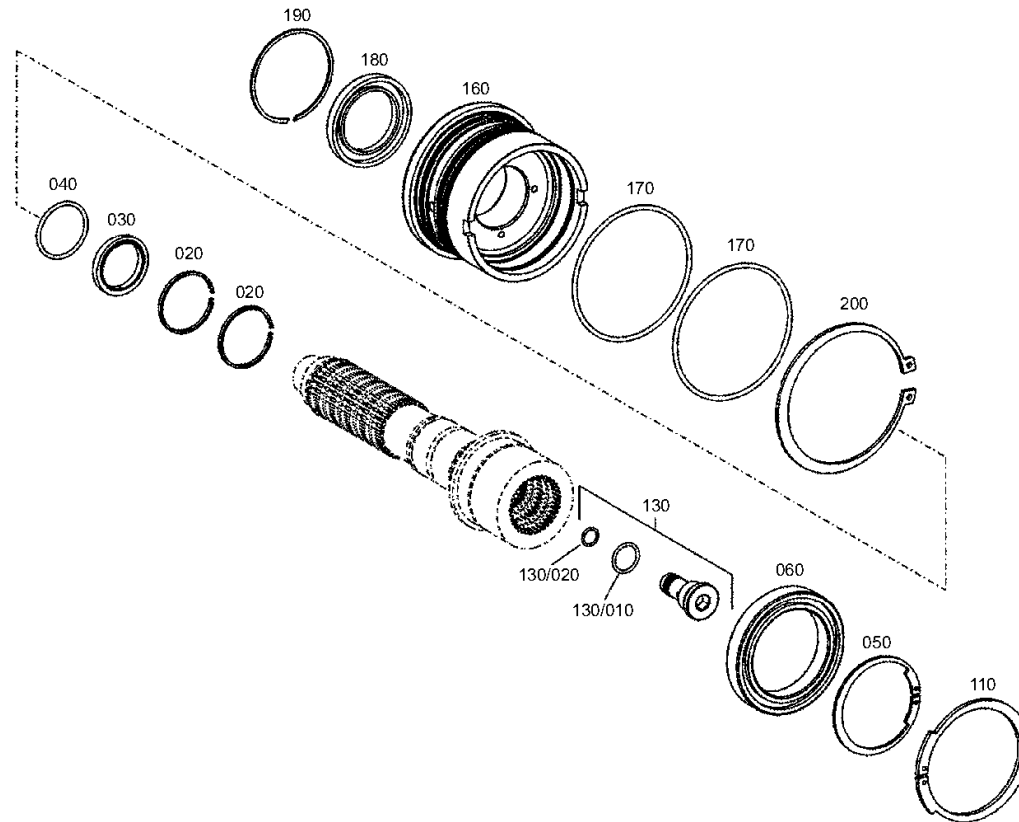
Material number: 4143.000.177

Picture: 414310200200

Material-assembly-group-no: 4143.102.002



2 HL 100 /  
INPUT



# Picture

Page 1 from 1

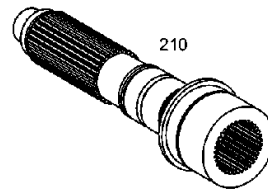
Material number: 4143.000.177

Picture: 414310240600

Material-assembly-group-no: 4143.102.406



2 HL 100 /  
INPUT





# Picture

Page 1 from 1

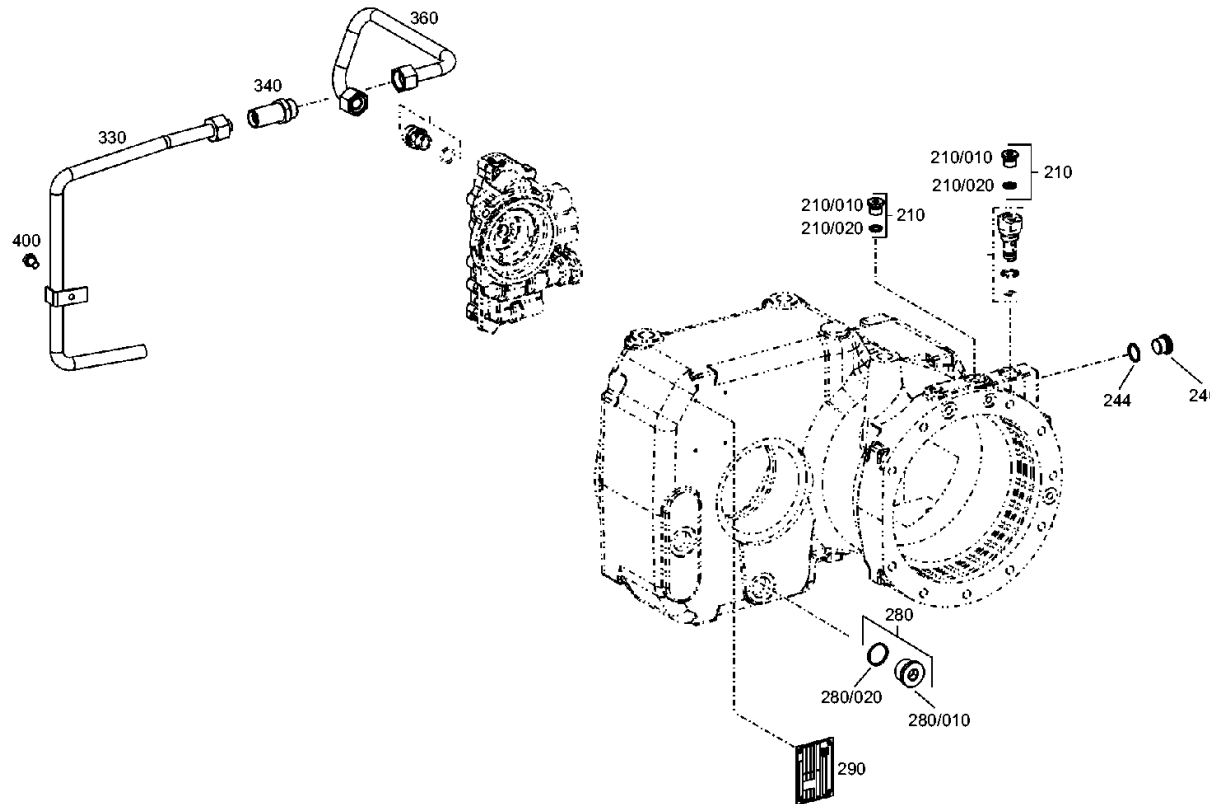
Material number: 4143.000.177

Picture: 414310141050

Material-assembly-group-no: 4143.101.410



2 HL 100 /  
HOUSING



# Picture

Page 1 from 1

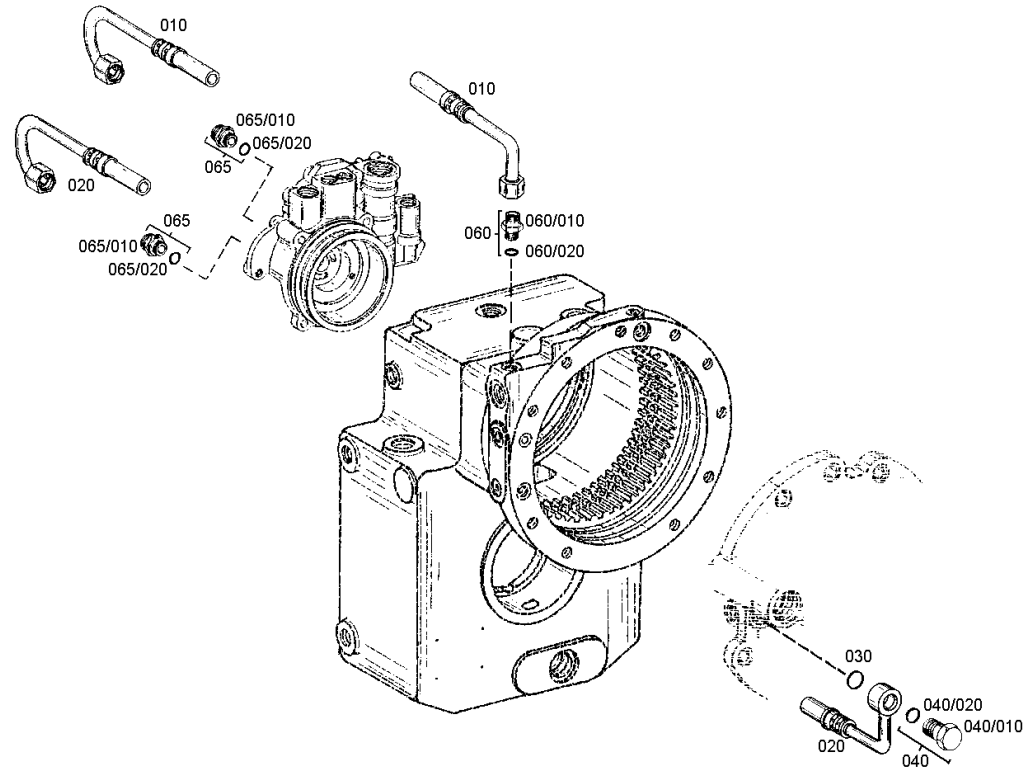
Material number: 4143.000.177

Picture: 414312100221

Material-assembly-group-no: 4143.121.005



2 HL 100 /  
OIL PIPE



# Picture

Page 1 from 1

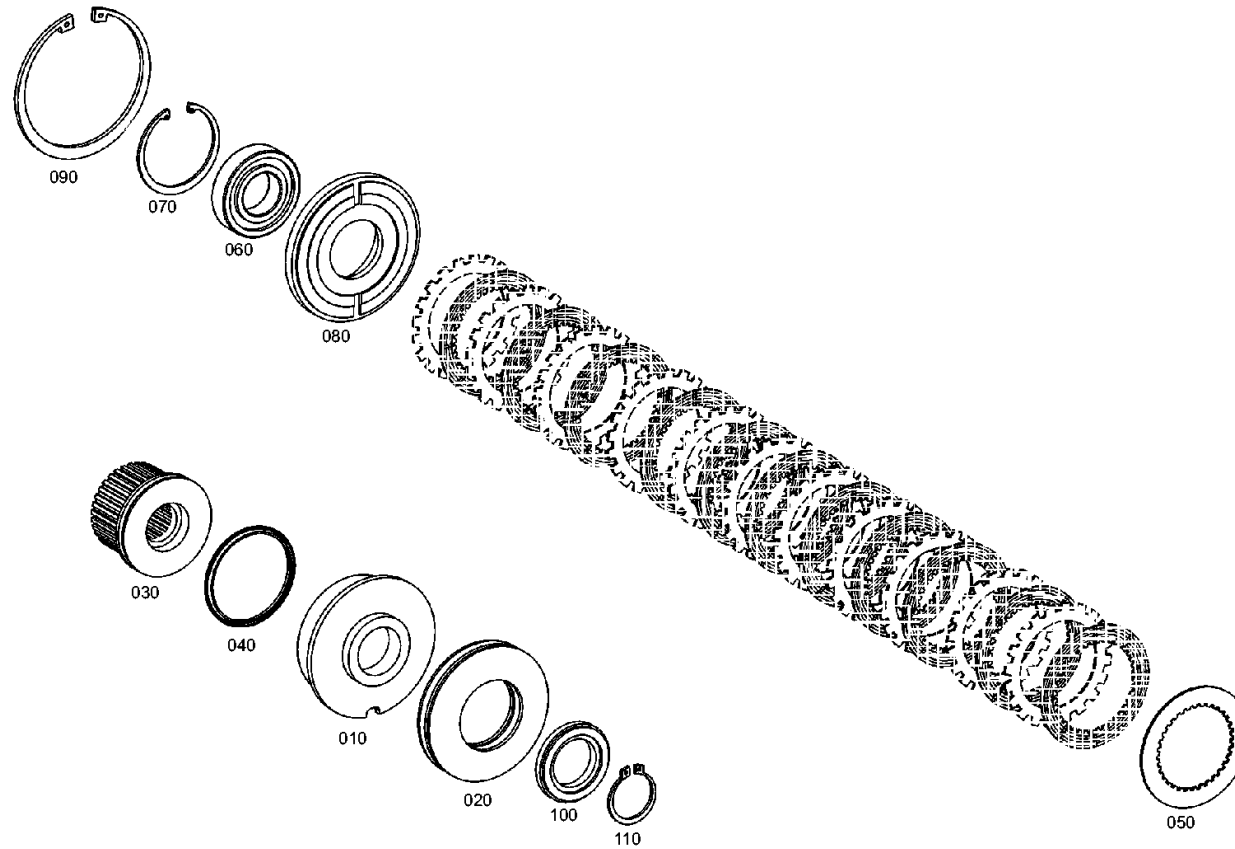
Material number: 4143.000.177

Picture: 414315200200

Material-assembly-group-no: 4143.152.002



2 HL 100 /  
COUPLING



# Picture

Page 1 from 1

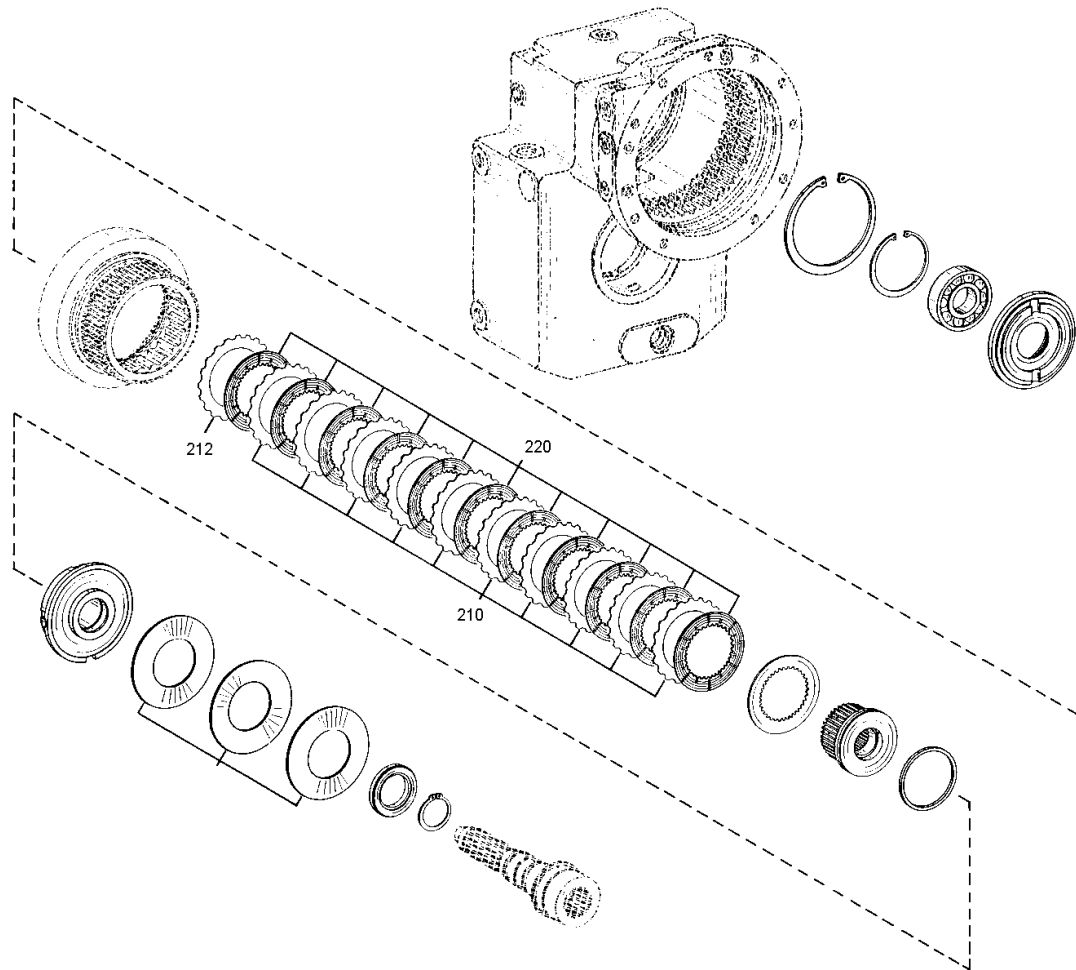
Material number: 4143.000.177

Picture: 414315200302

Material-assembly-group-no: 4143.152.404



2 HL 100 /  
COUPLING



# Picture

Page 1 from 1

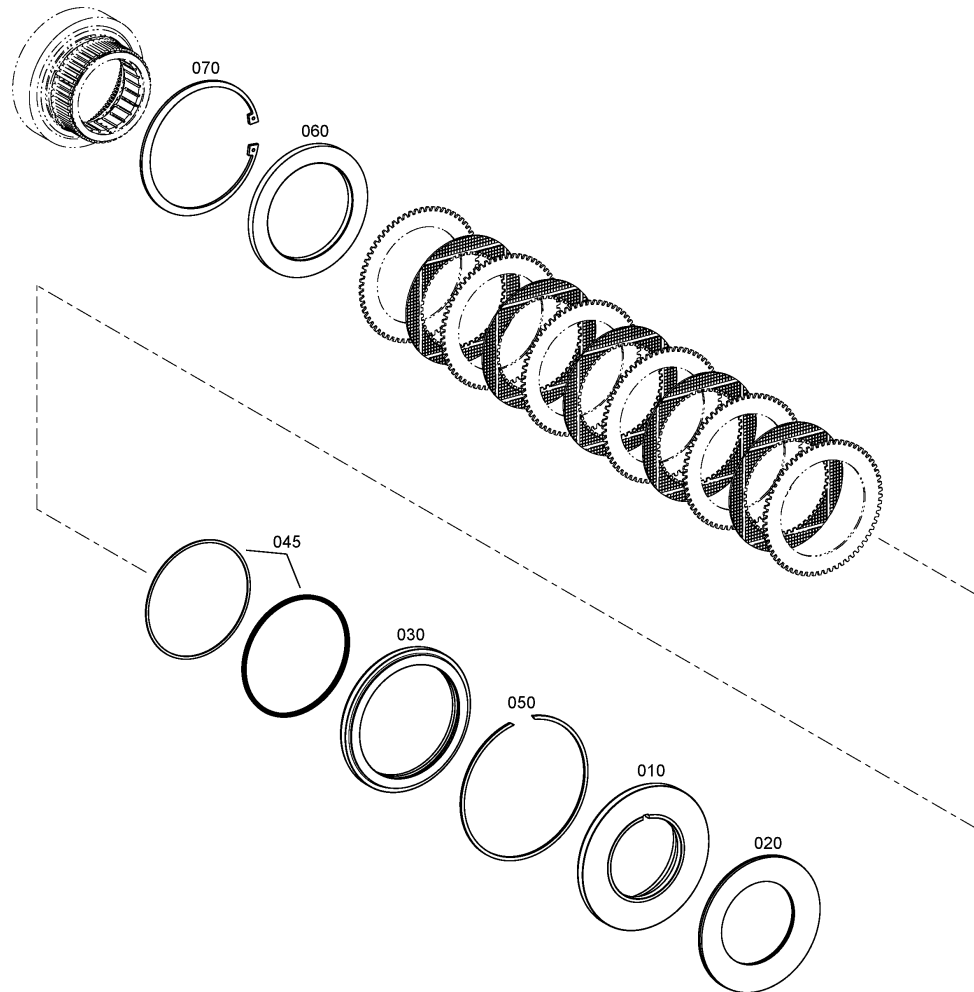
Material number: 4143.000.177

Picture: 414315100600

Material-assembly-group-no: 4143.151.006



2 HL 100 /  
MULTIDISK BRAKE



# Picture

Page 1 from 1

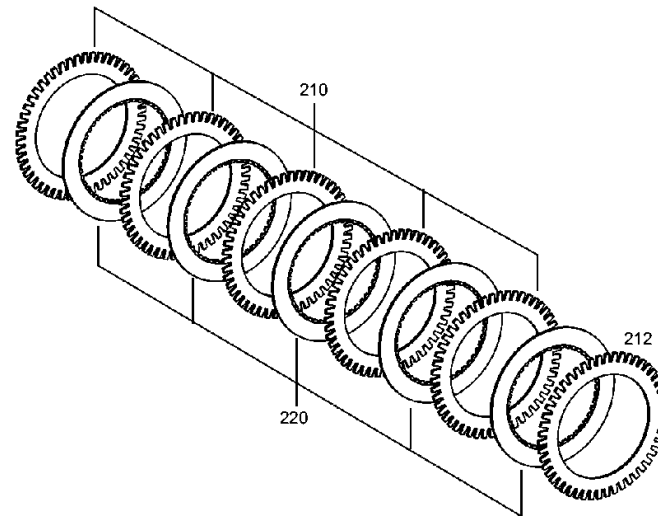
Material number: 4143.000.177

Picture: 414315140500

Material-assembly-group-no: 4143.151.405



2 HL 100 /  
MULTIDISK BRAKE



# Picture

Page 1 from 1

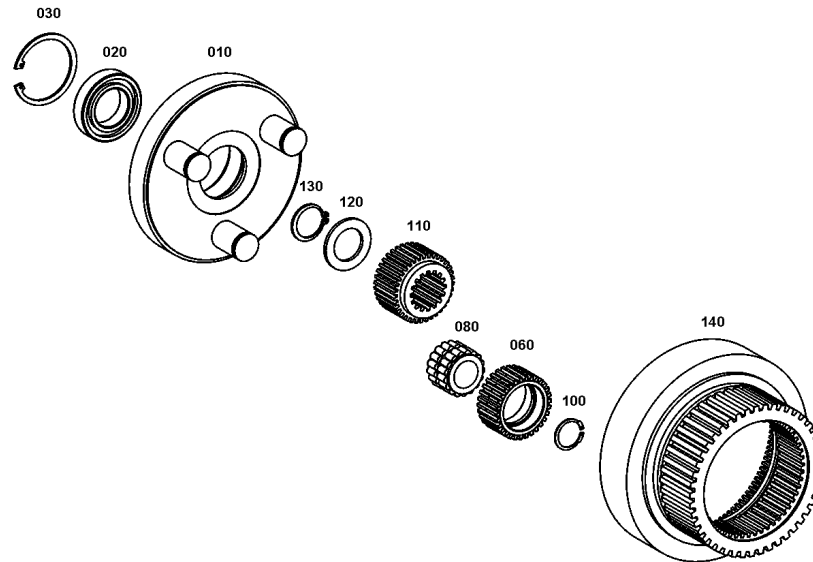
Material number: 4143.000.177

Picture: 414311500100

Material-assembly-group-no: 4143.115.003



2 HL 100 /  
PLANETARY DRIVE



# Picture

Page 1 from 1

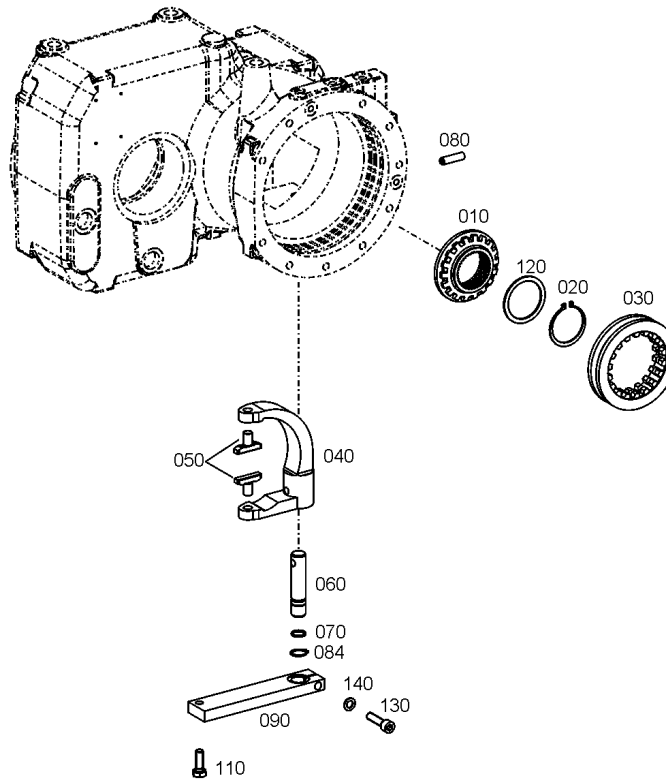
Material number: 4143.000.177

Picture: 414313400120

Material-assembly-group-no: 4143.134.002



2 HL 100 /  
DISCONNECTION





# Picture

Page 1 from 1

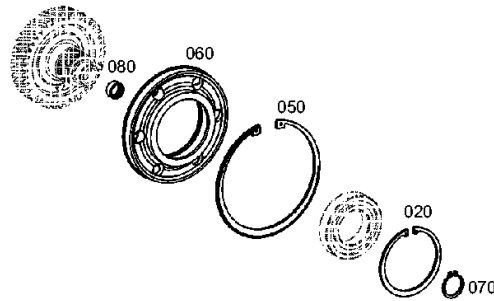
Material number: 4143.000.177

Picture: 414313500200

Material-assembly-group-no: 4143.135.002



2 HL 100 /  
SPUR GEAR DRIVE



# Picture

Page 1 from 1

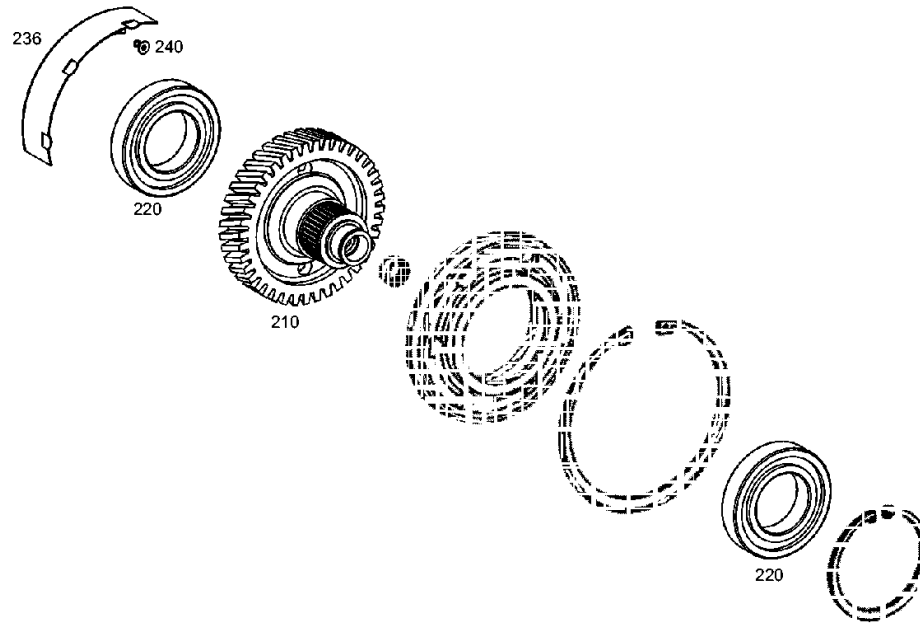
Material number: 4143.000.177

Picture: 414313540500

Material-assembly-group-no: 4143.135.405



2 HL 100 /  
SPUR GEAR DRIVE



# Picture

Page 1 from 1

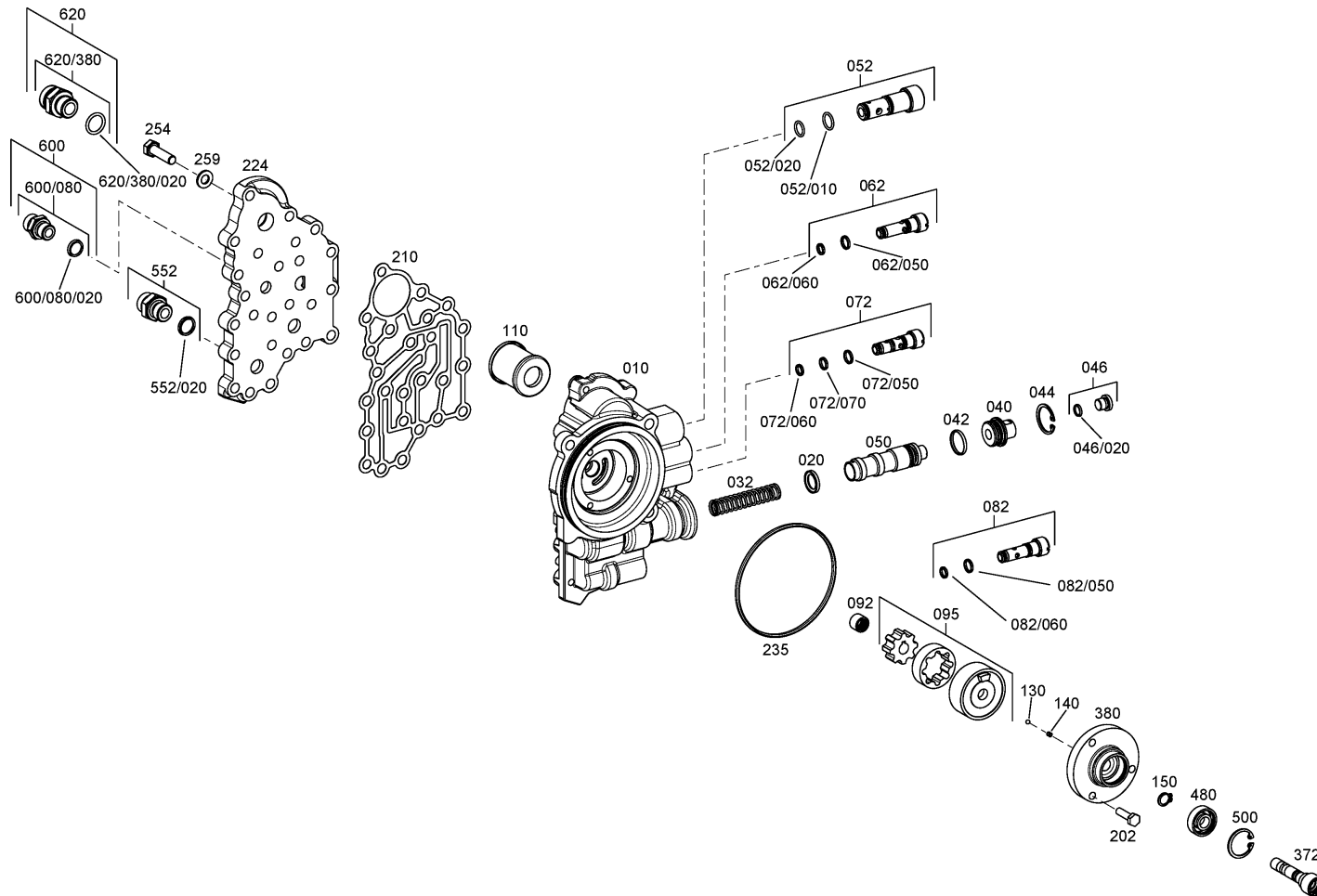
Material number: 4143.000.177

Picture: 414314202420

Material-assembly-group-no: 4143.142.024



2 HL 100 /  
GEAR SHIFT SENSOR



# Picture

Page 1 from 1

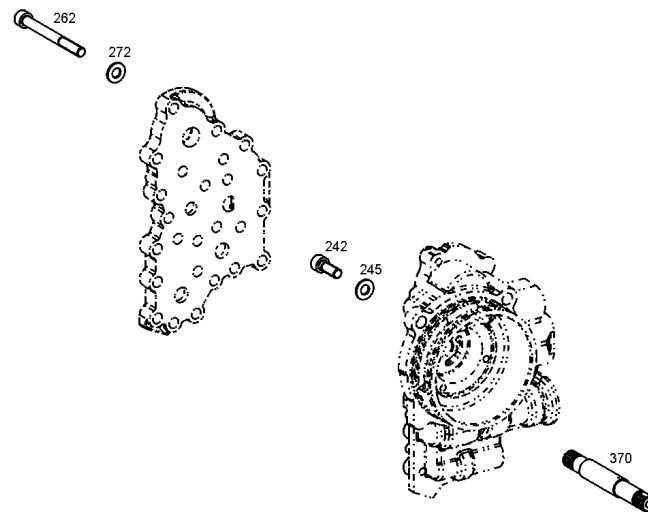
Material number: 4143.000.177

Picture: 414314201620

Material-assembly-group-no: 4143.142.408



2 HL 100 /  
GEAR SHIFT SENSOR



# Picture

Page 1 from 1

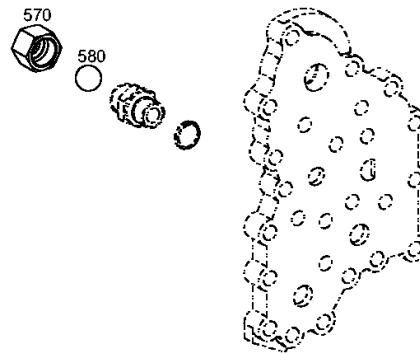
Material number: 4143.000.177

Picture: 414314240620

Material-assembly-group-no: 4143.142.406



2 HL 100 /  
GEAR SHIFT SENSOR



# Picture

Page 1 from 1

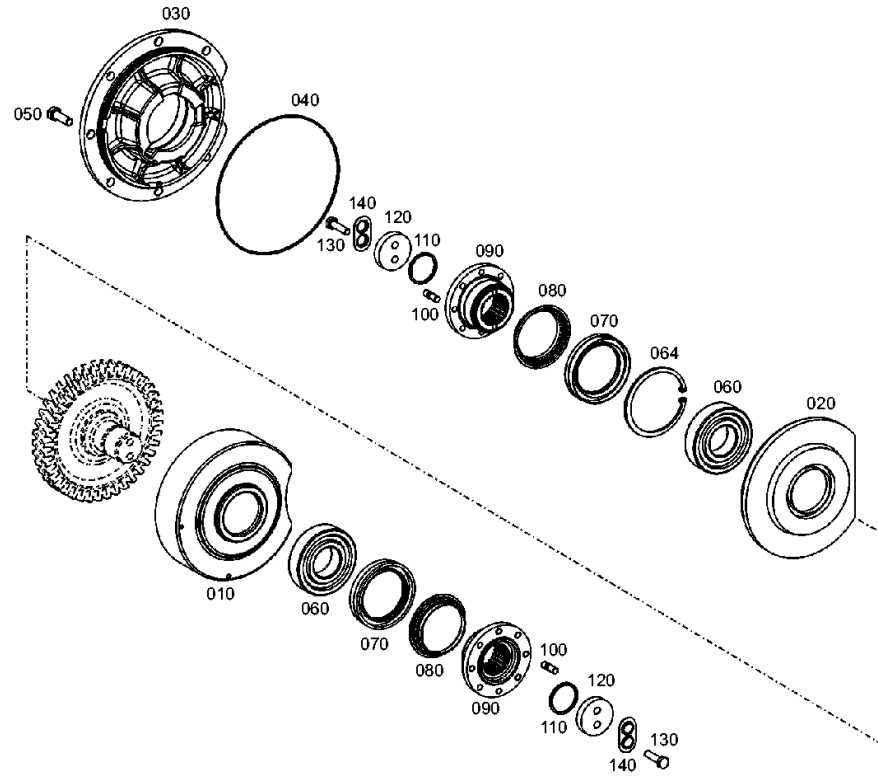
Material number: 4143.000.177

Picture: 414310300500

Material-assembly-group-no: 4143.103.005



2 HL 100 /  
OUTPUT



# Picture

Page 1 from 1

Material number: 4143.000.177

Picture: 414310340100

Material-assembly-group-no: 4143.103.401



2 HL 100 /  
OUTPUT

