



Spare Parts Catalog

2 HL 100

Material number: 4143.000.191

Current date: 31.10.2017

ZF Friedrichshafen AG
Hauptverwaltung
80038 Friedrichshafen
Deutschland

Telefon: +49 7541 77-0

Telefax: +49 7541 77-908000

www.zf.com

zuständiges Werk:
Passau

Notes relating to the spare parts catalog

Setup of the spare parts catalog

- Cover sheet
- Technical Cover (only in SDM print)
- Overview of figures
- Figure
- Associated parts list
- Next figure
- Associated parts list
- ...

Figure and parts list



Overview of figures

Bildtafel Figure	Sachnummer Product number	Benennung (Description)	Technische Info Technical info	Description (Benennung)	Menge Quantity	Einheit Unit
068.08.17	1316.170.001	AUSLEGER	WL	SHIFT TURRET	1	Stk
068.08.06	1316.170.031	DECKEL	WL*H-H *VM	COVER	1	Stk
068.08.14	1316.170.808	DECKEL	WL*AUSL+GEH*H-H*HF160N	COVER	1	Stk
08	1316.170.441	ANSCHLUSSTEILE	WL*NG-VORB*RG-SCHL*168N *BAJONETT	CONNECTING PARTS	1	Stk

The "gap" indicates that there is no separate graphics panel (poster) for this assembly
The parts of this assembly are shown with the same mid-section number on the figure

1 Positions and subpositions

Pos.	Sachnummer Product number	Benennung (Description)	Technische Info Technical info	Description (Benennung)	Menge Quantity	Einheit Unit
0370	1315.201.054	RUECKLAUFBOLZEN	KPL.16S151*SG*L= 79	REV.IDLER SHAFT	1	Stk
/0120	0631.329.293	SPANNSTIFT		SLOT. PIN	1	Stk

Positions marked with "/" are the individual items of a completion
For example: Position 0370 contains a centering pin with the position /0120

2 Combinations with standardized parts

Pos.	Sachnummer Product number	Benennung (Description)	Technische Info Technical info	Description (Benennung)	Menge Quantity	Einheit Unit
0630		VERSCHL.SCHR.		SCREW PLUG	1	Stk
	0636.302.067	VERSCHL.SCHR.		SCREW PLUG	1	Stk
	0634.801.249	DICHTRING	A 26 X 31	SEALING RING	1	Stk

The parts list shows the components included in the combination of standardized parts

3 Depiction of position/item number on the figure and in the parts list

01.620 - on the figure 01 relates to the assembly in which the position is included. Due to program-related reasons, it is shown on the figure.

0620 - in the parts list

Pos.	Sachnummer Product number	Benennung (Description)	Technische Info Technical info	Description (Benennung)	Menge Quantity	Einheit Unit
0620	0732.040.736	DRUCKFEDER		COMPRESSION SPRING	1	Stk

4 *-Positions

Positions marked with an * are optional i.e. inclusion in the parts list is not mandatory.
The following note is shown on the figure

je nach Stücklistenausführung
depending on spec. number
*
suivant la nomenclature
secondo la distinta base

5 Parts, dotted display

Parts with dotted display on the figure are only used for orientation of other parts

Technical Cover

Page 1 from 2

Material number: 4143.000.191



2 HL 100 /

Pos.	Information	Amendment number
	CUSTOMER:HITACHI	
	IDENT-NO:	
	PROJECT-NO.:	
	VEHICLE DATA:	
	MOBILBAGGER CFW 180 W	
	VEHICLE WEIGHT: 19,30 T	
	FAHRANTR.LEIST.: P= 99 KW BEI N=2376 UPM	
	HYDRO PUMP:	
	HYDRO-MOTOR: A6VM140	
	DIFFERENZDRUCK: 343BAR	
	DREHMOMENT: T= 744 NM BEI P= 343 BAR	
	DREHZAHL: N-MAX= 3718 UPM	
	REIFEN: 11.00 R 20	
	REIFENRADIUS EFF.0,519M	
	VORDERACHSE APL-B755 HD I-GES=14,78 I-KEG=2,31	
	HINTERACHSE APL-B755 HD I-GES=14,78 I-KEG=2,31	
	ZUGKRAFTDIA.:4143 701 441	
	BREMSBERECH.:4143 709 175	
	PRODUCT DESCRIPTION:	
	TYPE: 2 HL 100	
	INSTALLATION: AXLE	
	INSTALLATION POSITION: S.INST.DRAWING	
	RATIOS:	
	1.G=5,35 2.G=1,39	
	SCHALTDRUCK: AM GETR.ANSCHL.P1 U.P2 31+ 4 BAR	
	BRAKE:	
	AUXILIAR BRAKE AND PARKING BRAKE	
	BRAKING-OPERATION:INTERLOCKED SEP.CLUTCHES	
	BRAKE TORQUE:SEE BRAKE CALCULATION	
	SHIFT SECURING DEVICE: HYDR.	
	ADJUSTMENT: E (SEE INST.DRAWING)	
	LEAKAGE OIL RETURN PIPE:PRESSURE MAX. 0,8 BAR	
	WASTE OIL QUANTITY: MAX. 1L/MIN.	

Technical Cover

Page 2 from 2

Material number: 4143.000.191



2 HL 100 /

Pos.	Information	Amendment number
	DRAWINGS:	
	SECT.DRAWING: 4143 000 146(0)	
	EINBAU: 4472 622 044/045/046	
	SETTING SPECIF.: 4143 700 036(4)	
	SPEZIFICATION: 4143 700 044(4)	
	HYDR.SCHEMA: 4143 700 037(1)	
	TEST SPECIFICATION: 4143 760 007()	
	OELEINF.MENGE:3,0L(OELST.KONTR.BOHRG.BEACHTEN)	
	OIL FILLING: YES	
	OIL SPECIF.LIST OF LUBRIC. TE ML 07 / 2 HL 100	
	SHIFT SECURING DEVICE:	
	WEIGHT-TOTAL: ...KG	
	COLOUR: 5 BLACK RAL 9005	
	TYPE/ SERIAL NUMBER/ PART LIST NUMBER AND	
	OIL SPECIFICATION IN NAME PLATE	

Assembly group overview

Page 1 from 2

Material number: 4143.000.191



2 HL 100 /

Graphics	Pos.	Material number	Name	Quantity	Amend. no.	Techn. Info.
414312504800	490	4143.125.048	INPUT HOUSING	1		
414312540000	500	4143.125.400	INPUT HOUSING	1		
414310200200	30	4143.102.002	INPUT	1		
414310240600	40	4143.102.406	INPUT	1		
	10	4143.101.009	HOUSING	1		
414310142320	20	4143.101.423	HOUSING	1		
414312100200	410	4143.121.005	OIL PIPE	1		
414315200200	830	4143.152.002	COUPLING	1		
414315240200	840	4143.152.402	COUPLING	1		
414315100201	810	4143.151.006	MULTIDISK BRAKE	1		
414315140500	820	4143.151.405	MULTIDISK BRAKE	1		
414311500100	290	4143.115.003	PLANETARY DRIVE	1		
414313400100	574	4143.134.002	DISCONNECTION	1		
414313500200	590	4143.135.002	SPUR GEAR DRIVE	1		
414313501300	600	4143.135.406	SPUR GEAR DRIVE	1		
414314201900	710	4143.142.013	GEAR SHIFT SENSOR	1		
414314201600	715	4143.142.408	GEAR SHIFT SENSOR	1		

Assembly group overview

Page 2 from 2

Material number: 4143.000.191



2 HL 100 /

Graphics	Pos.	Material number	Name	Quantity	Amend. no.	Techn. Info.
414310300101	50	4143.103.003	OUTPUT	1		
414310340200	60	4143.103.402	OUTPUT	1		
414313700701	610	4143.137.002	AXLE INSERT	1		
414313741200	620	4143.137.412	AXLE INSERT	1		
446117304700	70	4461.173.047	DIFFERENTIAL	1		

Plant

Page 1 from 1

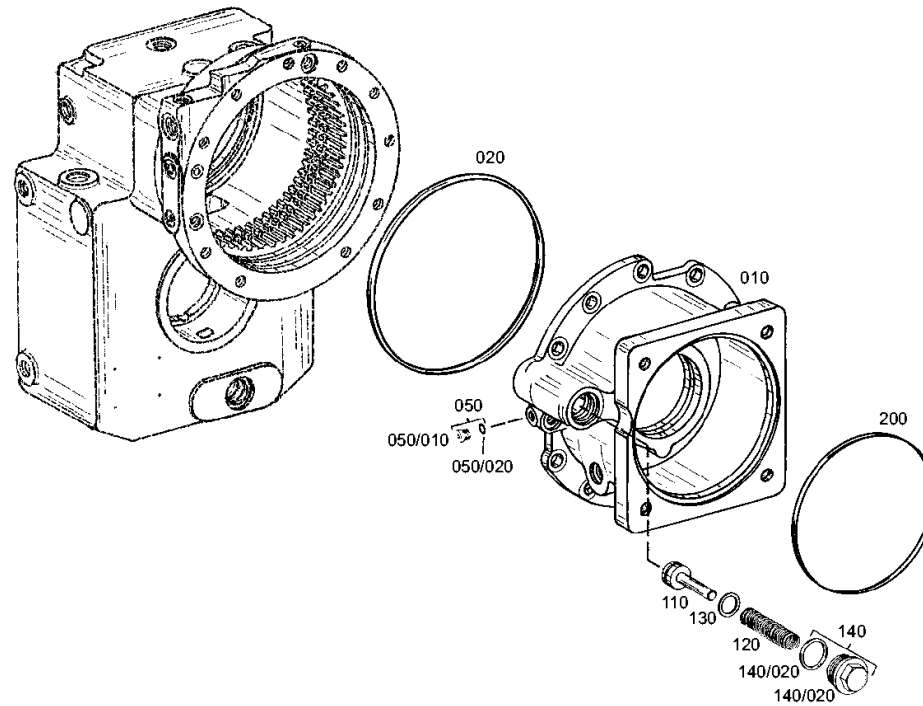
Material number: 4143.000.191

Plant: 414312504800

Material-assembly-group-no: 4143.125.048



2 HL 100 /
INPUT HOUSING



Plant

Page 1 from 1

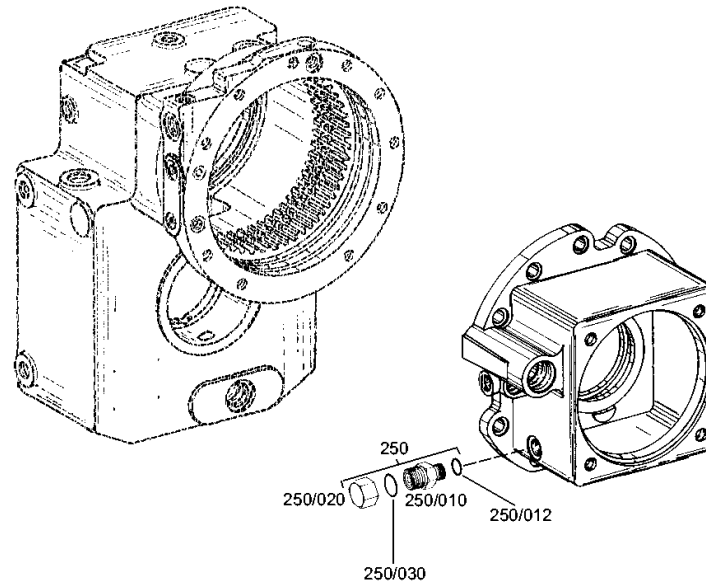
Material number: 4143.000.191

Plant: 414312540000

Material-assembly-group-no: 4143.125.400



2 HL 100 /
INPUT HOUSING



Plant

Page 1 from 1

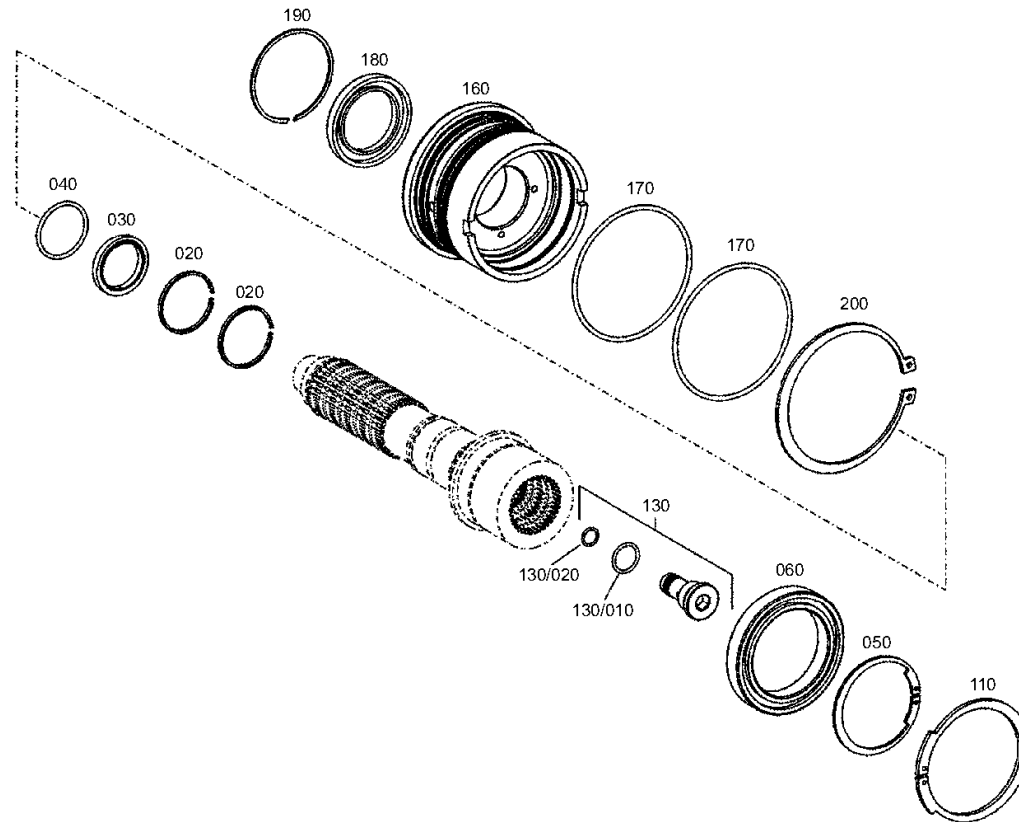
Material number: 4143.000.191

Plant: 414310200200

Material-assembly-group-no: 4143.102.002



2 HL 100 /
INPUT



Plant

Page 1 from 1

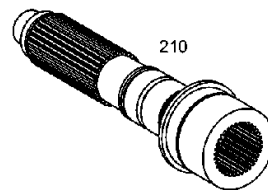
Material number: 4143.000.191

Plant: 414310240600

Material-assembly-group-no: 4143.102.406



2 HL 100 /
INPUT



Plant

Page 1 from 1

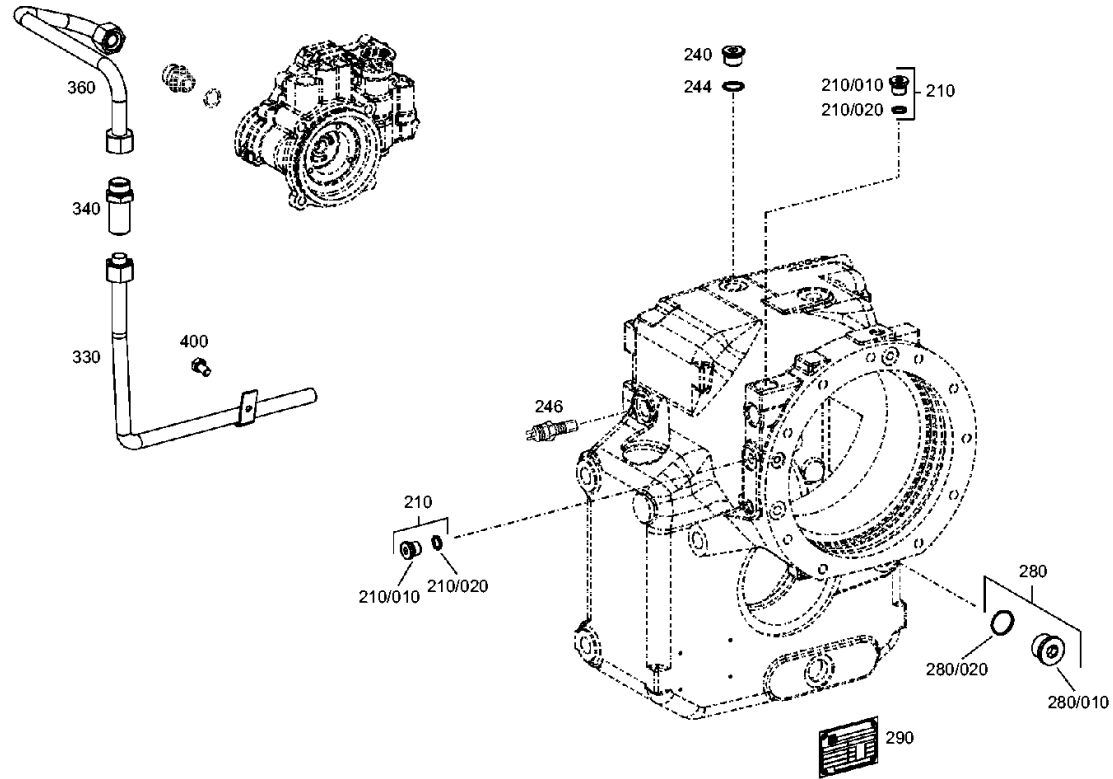
Material number: 4143.000.191

Plant: 414310142320

Material-assembly-group-no: 4143.101.423



2 HL 100 /
HOUSING



Plant

Page 1 from 1

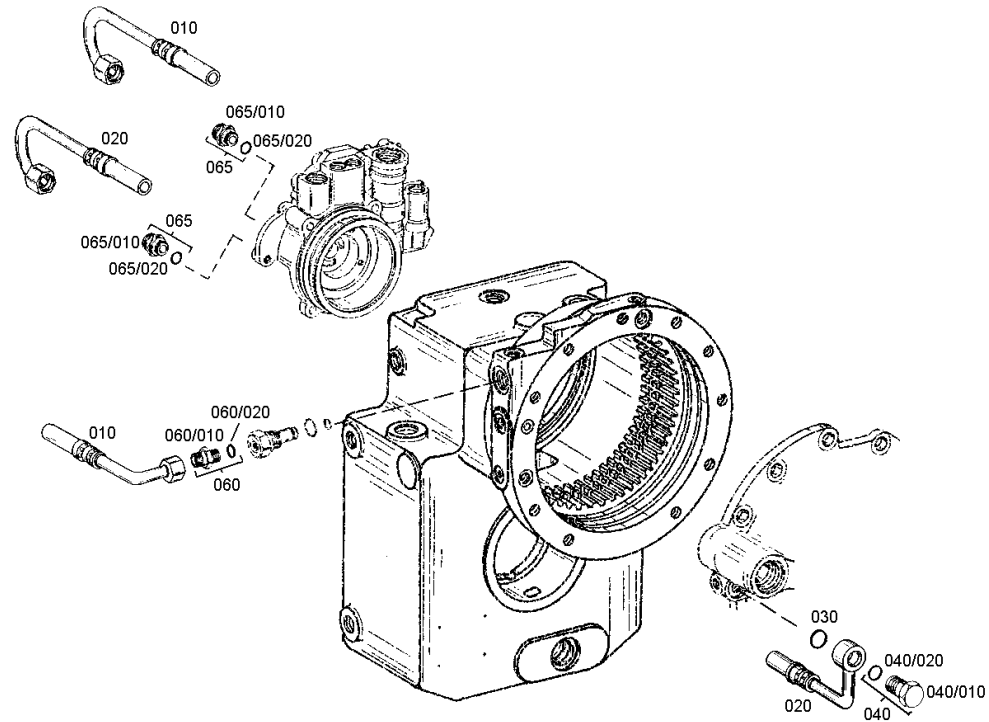
Material number: 4143.000.191

Plant: 414312100200

Material-assembly-group-no: 4143.121.005



2 HL 100 /
OIL PIPE



Plant

Page 1 from 1

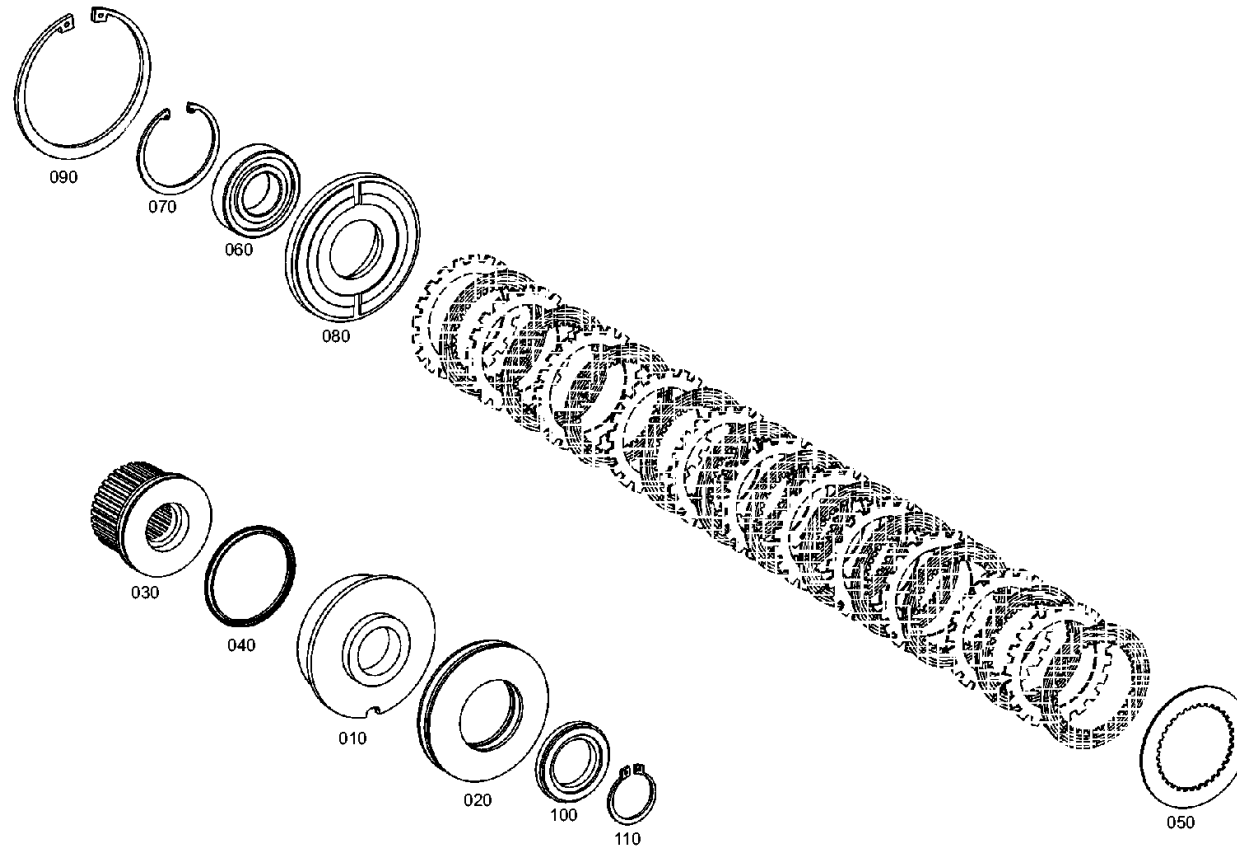
Material number: 4143.000.191

Plant: 414315200200

Material-assembly-group-no: 4143.152.002



2 HL 100 /
COUPLING



Plant

Page 1 from 1

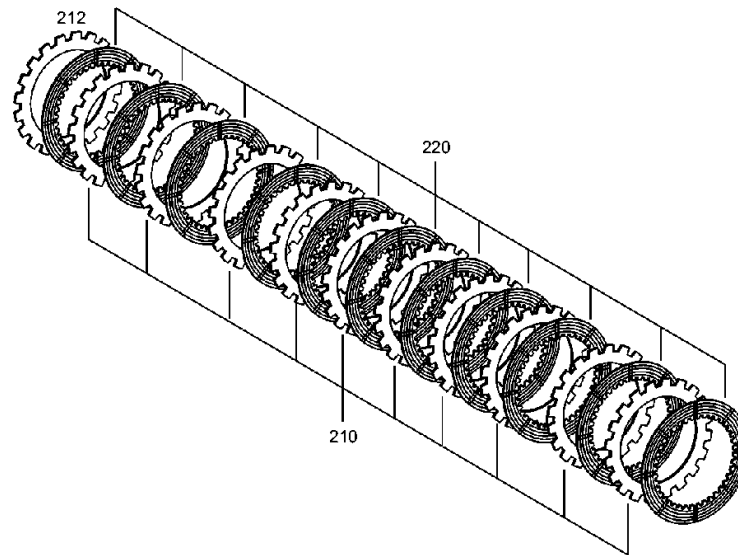
Material number: 4143.000.191

Plant: 414315240200

Material-assembly-group-no: 4143.152.402



2 HL 100 /
COUPLING



Plant

Page 1 from 1

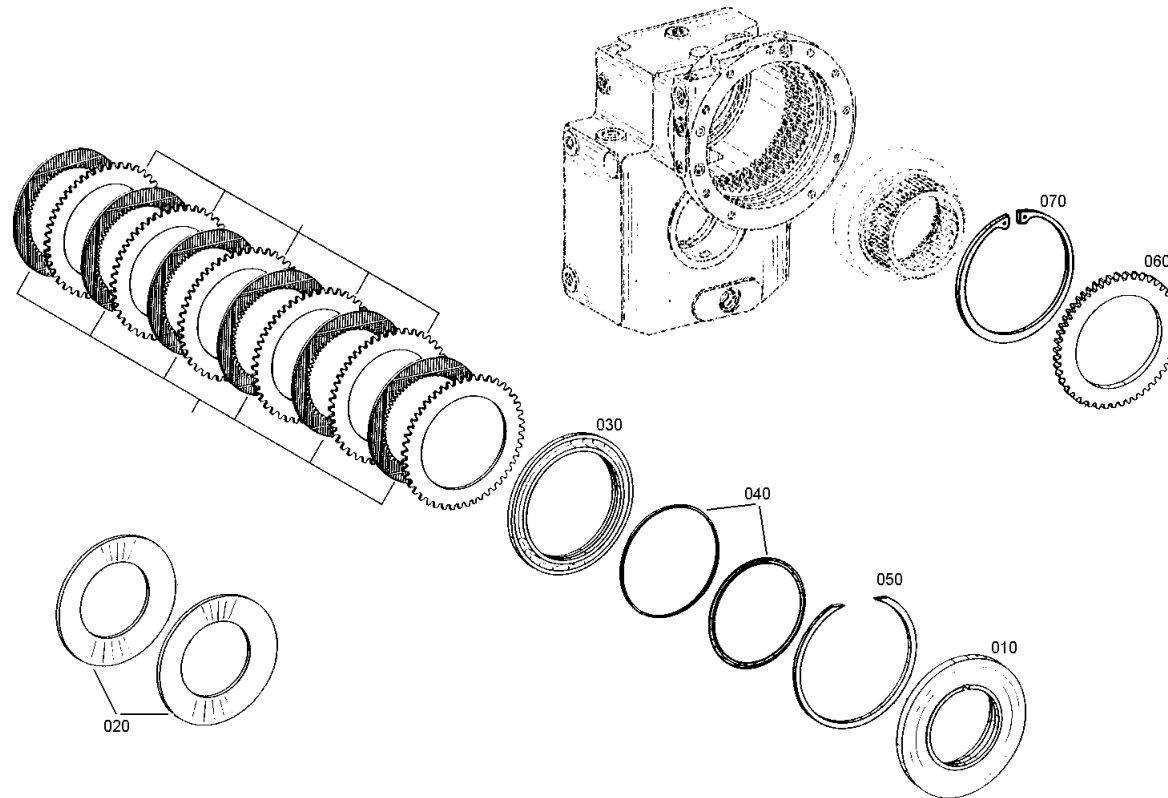
Material number: 4143.000.191

Plant: 414315100201

Material-assembly-group-no: 4143.151.006



2 HL 100 /
MULTIDISK BRAKE



Plant

Page 1 from 1

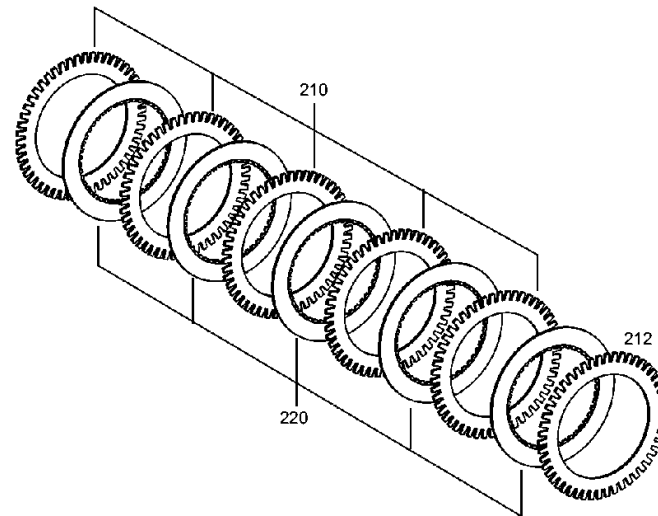
Material number: 4143.000.191

Plant: 414315140500

Material-assembly-group-no: 4143.151.405



2 HL 100 /
MULTIDISK BRAKE



Plant

Page 1 from 1

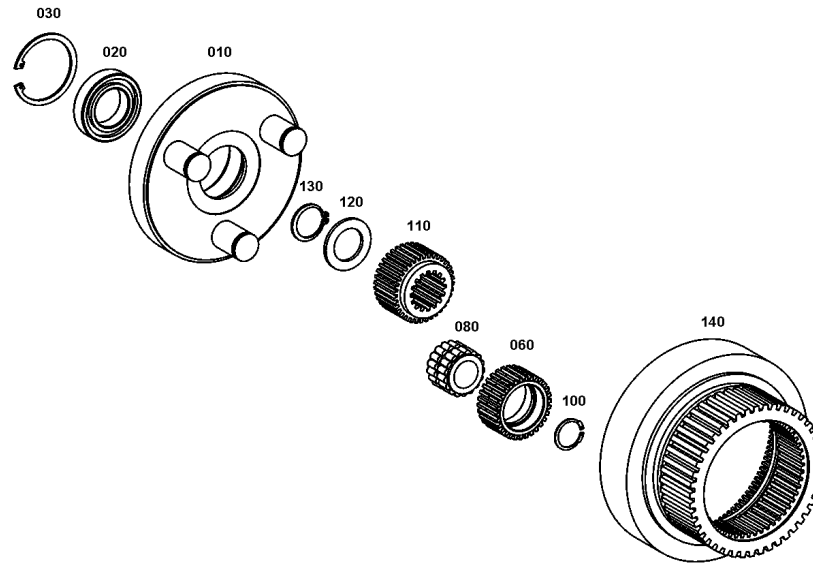
Material number: 4143.000.191

Plant: 414311500100

Material-assembly-group-no: 4143.115.003



2 HL 100 /
PLANETARY DRIVE



Plant

Page 1 from 1

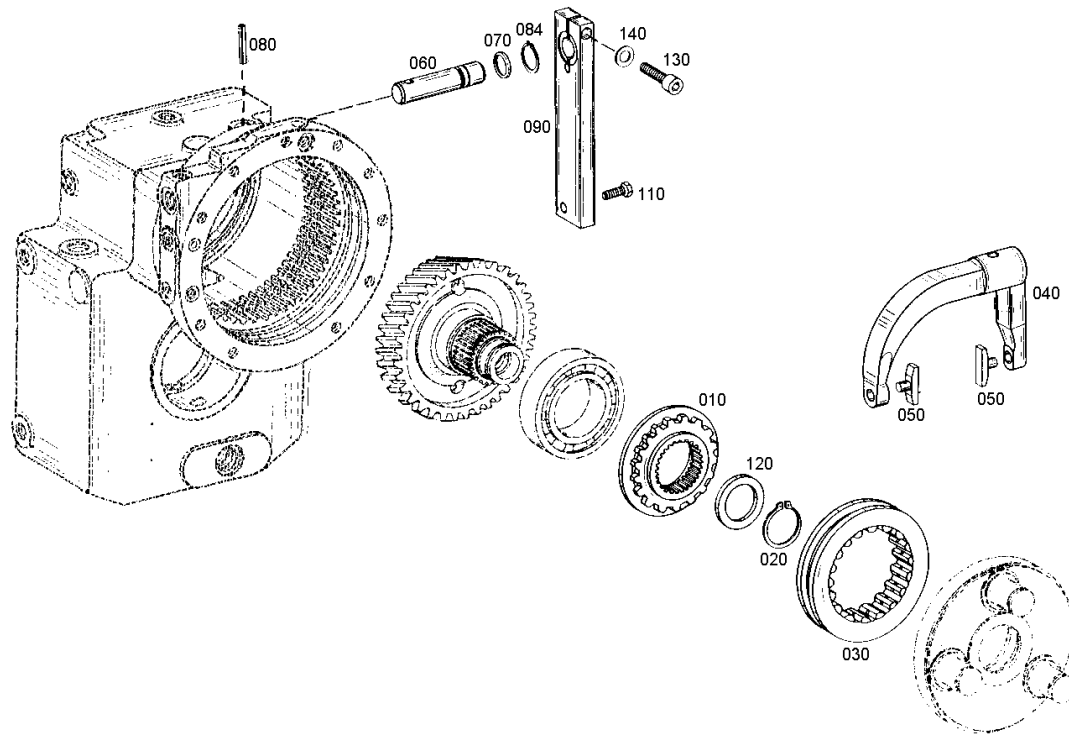
Material number: 4143.000.191

Plant: 414313400100

Material-assembly-group-no: 4143.134.002



2 HL 100 /
DISCONNECTION



Plant

Page 1 from 1

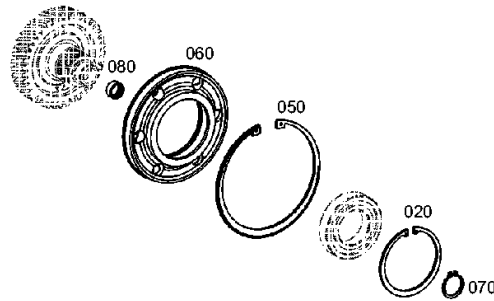
Material number: 4143.000.191

Plant: 414313500200

Material-assembly-group-no: 4143.135.002



2 HL 100 /
SPUR GEAR DRIVE



Plant

Page 1 from 1

Material number: 4143.000.191

Plant: 414313501300

Material-assembly-group-no: 4143.135.406



2 HL 100 /
SPUR GEAR DRIVE

There is presently no plate available for this parts list/ assembly.

Plant

Page 1 from 1

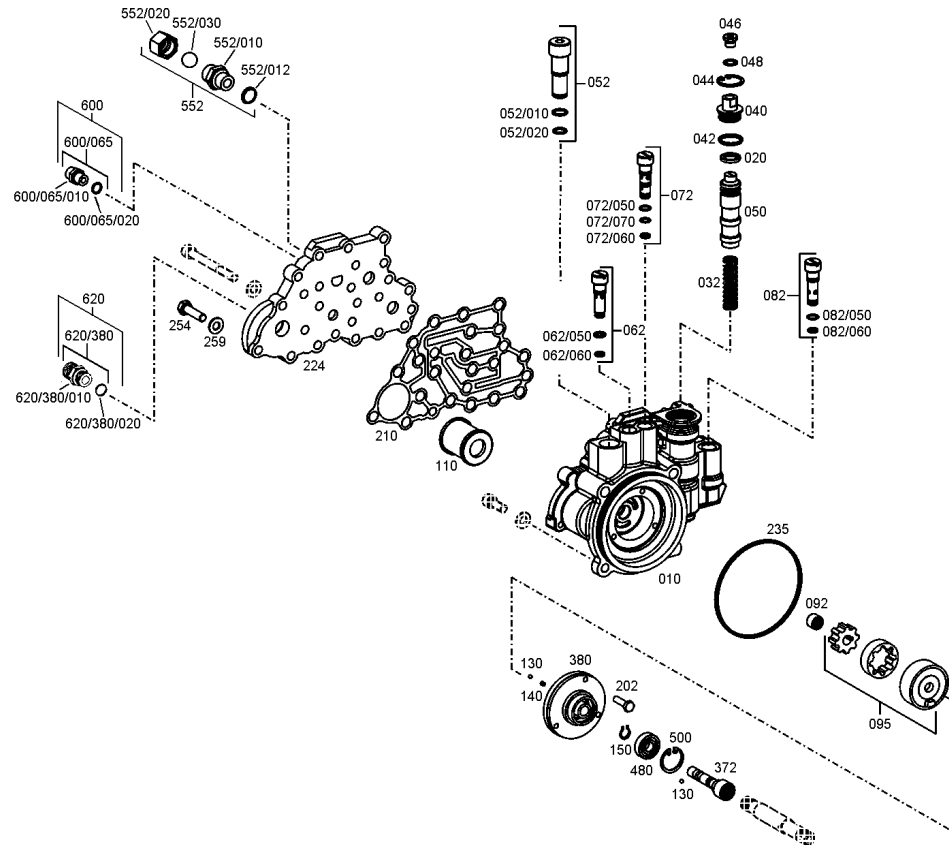
Material number: 4143.000.191

Plant: 414314201900

Material-assembly-group-no: 4143.142.013



2 HL 100 /
GEAR SHIFT SENSOR



Plant

Page 1 from 1

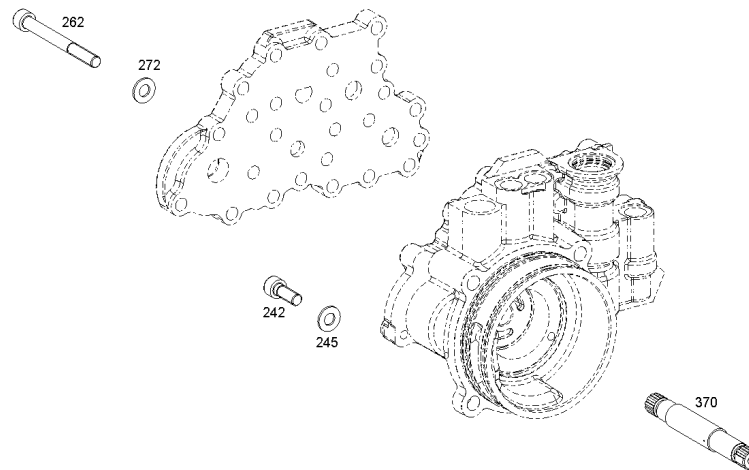
Material number: 4143.000.191

Plant: 414314201600

Material-assembly-group-no: 4143.142.408



2 HL 100 /
GEAR SHIFT SENSOR



Plant

Page 1 from 1

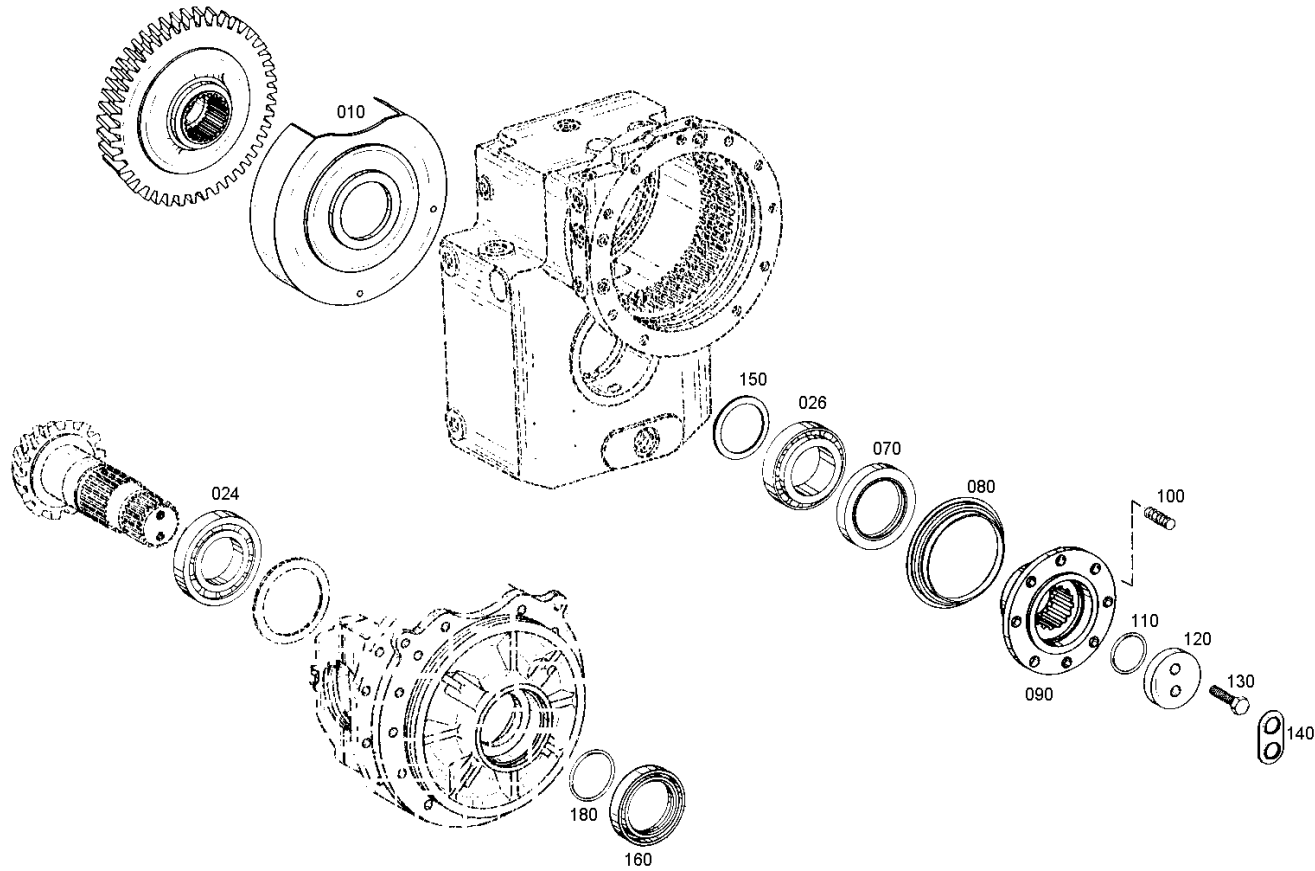
Material number: 4143.000.191

Plant: 414310300101

Material-assembly-group-no: 4143.103.003



2 HL 100 /
OUTPUT



Plant

Page 1 from 1

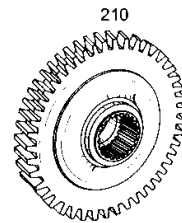
Material number: 4143.000.191

Plant: 414310340200

Material-assembly-group-no: 4143.103.402



2 HL 100 /
OUTPUT



Plant

Page 1 from 1

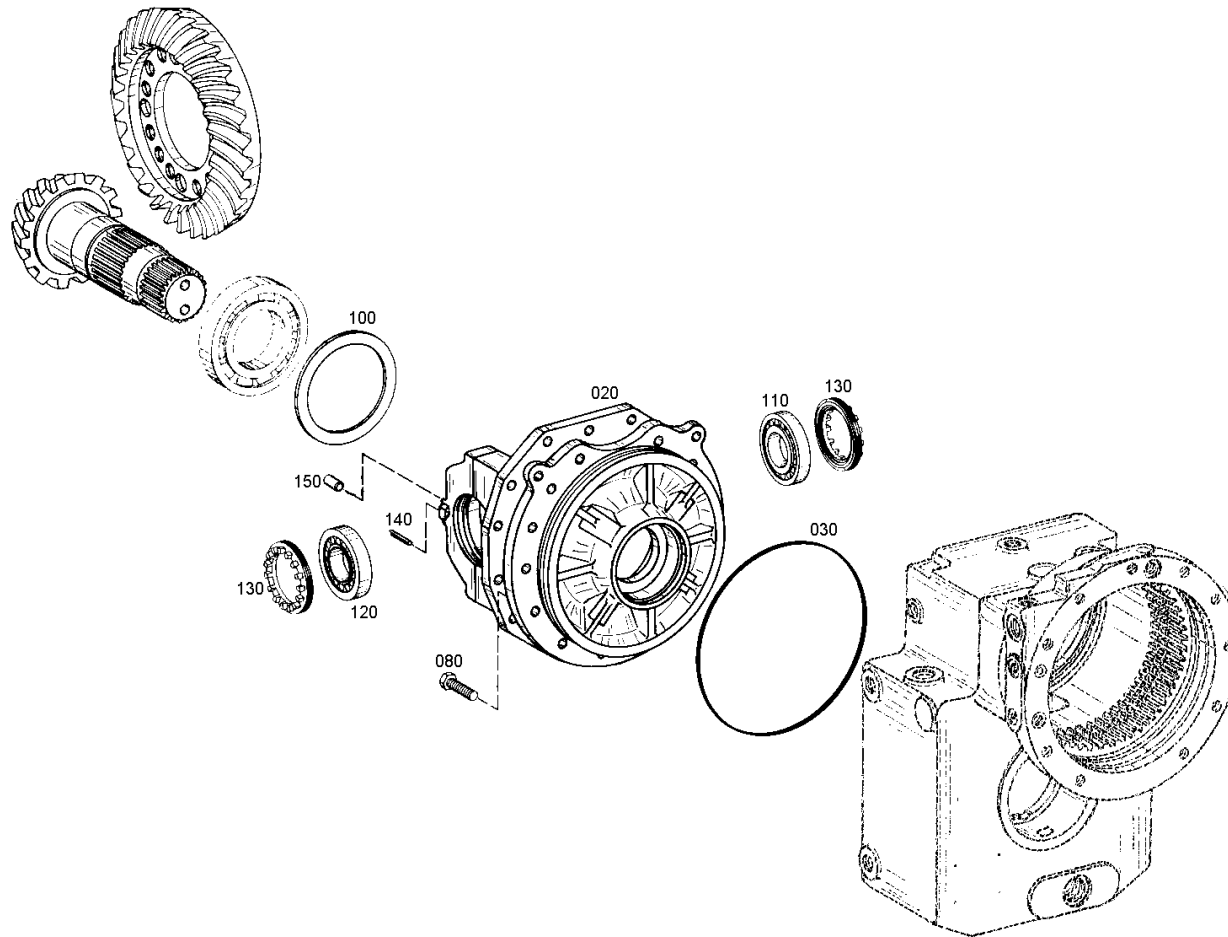
Material number: 4143.000.191

Plant: 414313700701

Material-assembly-group-no: 4143.137.002



2 HL 100 /
AXLE INSERT



Plant

Page 1 from 1

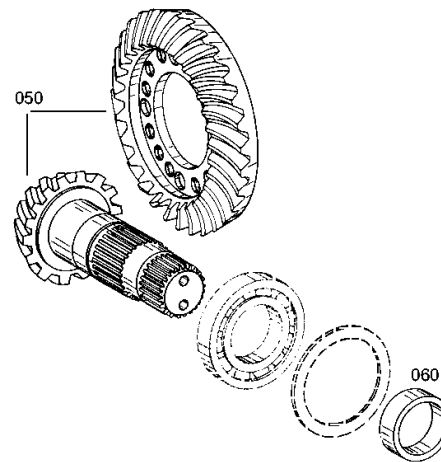
Material number: 4143.000.191

Plant: 414313741200

Material-assembly-group-no: 4143.137.412



2 HL 100 /
AXLE INSERT



Plant

Page 1 from 1

Material number: 4143.000.191

Plant: 446117304700

Material-assembly-group-no: 4461.173.047



2 HL 100 /
DIFFERENTIAL

