



# Spare Parts Catalog

2 HL 290

Material number: 4143.020.048

Current date: 13.02.2018

ZF Friedrichshafen AG  
Hauptverwaltung  
80038 Friedrichshafen  
Deutschland

Telefon: +49 7541 77-0

Telefax: +49 7541 77-908000

[www.zf.com](http://www.zf.com)

zuständiges Werk:  
Passau

# Notes relating to the spare parts catalog

## Setup of the spare parts catalog

- Cover sheet
- Technical Cover (only in SDM print)
- Overview of figures
- Figure
- Associated parts list
- Next figure
- Associated parts list
- ...

## Figure and parts list



## Overview of figures

Bildtafel Figure	Sachnummer Product number	Benennung (Description)	Technische Info Technical info	Description (Benennung)	Menge Quantity	Einheit Unit
068.08.17	1316.170.001	AUSLEGER	WL	SHIFT TURRET	1	Stk
068.08.06	1316.170.031	DECKEL	WL*H-H *VM	COVER	1	Stk
068.08.14	1316.170.808	DECKEL	WL*AUSL+GEH*H-H*HF160N	COVER	1	Stk
08	1316.170.441	ANSCHLUSSTEILE	WL*NG-VORB*RG-SCHL*168N *BAJONETT	CONNECTING PARTS	1	Stk

The "gap" indicates that there is no separate graphics panel (poster) for this assembly  
The parts of this assembly are shown with the same mid-section number on the figure

### 1 Positions and subpositions

Pos.	Sachnummer Product number	Benennung (Description)	Technische Info Technical info	Description (Benennung)	Menge Quantity	Einheit Unit
0370	1315.201.054	RUECKLAUFBOLZEN	KPL.16S151*SG*L= 79	REV.IDLER SHAFT	1	Stk
/0120	0631.329.293	SPANNSTIFT		SLOT. PIN	1	Stk

Positions marked with "/" are the individual items of a completion  
For example: Position 0370 contains a centering pin with the position /0120

### 2 Combinations with standardized parts

Pos.	Sachnummer Product number	Benennung (Description)	Technische Info Technical info	Description (Benennung)	Menge Quantity	Einheit Unit
0630		VERSCHL.SCHR.		SCREW PLUG	1	Stk
	0636.302.067	VERSCHL.SCHR.		SCREW PLUG	1	Stk
	0634.801.249	DICHTRING	A 26 X 31	SEALING RING	1	Stk

The parts list shows the components included in the combination of standardized parts

### 3 Depiction of position/item number on the figure and in the parts list

01.620 - on the figure      01 relates to the assembly in which the position is included. Due to program-related reasons, it is shown on the figure.

0620 - in the parts list

Pos.	Sachnummer Product number	Benennung (Description)	Technische Info Technical info	Description (Benennung)	Menge Quantity	Einheit Unit
0620	0732.040.736	DRUCKFEDER		COMPRESSION SPRING	1	Stk

### 4 \*-Positions

Positions marked with an \* are optional i.e. inclusion in the parts list is not mandatory.  
The following note is shown on the figure

je nach Stücklistenausführung  
depending on spec. number  
\*  
suivant la nomenclature  
secondo la distinta base

### 5 Parts, dotted display

Parts with dotted display on the figure are only used for orientation of other parts

# Technical Cover

Page 1 from 2

Material number: 4143.020.048



2 HL 290 /

Pos.	Information	Amendment number
	KUNDE:VOLVO-KONZ	
	IDENT-NR: 1438 5097	
	PROJECT-NO.:	
	VEHICLE DATA:	
	MOBILBAGGER EW-180C	
	FAHRZEUGMASSE: 19,664T	
	MOTORLEISTUNG: P=100 KW BEI N=1900 UPM	
	HYDRO PUMP:	
	MOTOR: HYDROMATIK A6VM 140	
	DIFFERENZDRUCK:	
	DREHMOMENT: T= 715 NM BEI P= 338 BAR	
	DREHZAHL: N-MAX= 3553 UPM	
	TIRES:	
	R.DYN. 0,505 M	
	VORDERACHSE: I-GES=16,0 MS-E 3060	
	HINTERACHSE: I-GES=16,0 MT-E 3060	
	ZUGKRAFTDIA.: 4143 701 574()	
	READY TO BRAKE	
	BREMSBERECH.: 4143 709 218()	
	PRODUCT DESCRIPTION:	
	TYP: 2 HL 290	
	INSTALLATION: SEPARATELY	
	EINBAULAGE:VERTIKAL	
	RATIOS:	
	1.G=4,87 2.G=1,196	
	KUPPLUNGSDRUCK:	
	BRAKE:	
	AUXILIAR BRAKE AND PARKING BRAKE	
	BRAKING-OPERATION:INTERLOCKED SEP.CLUTCHES	
	BRAKE TORQUE:SEE BRAKE CALCULATION	
	DRAWINGS:	
	SCHNITT: 4143 020 031(0)	
	EINBAU: 4143 620 016	

# Technical Cover

Page 2 from 2

Material number: 4143.020.048



2 HL 290 /

Pos.	Information	Amendment number
	ASS. INSTR.:	
	SETTING SPEC.: 4143 700 085()	
	LASTENHEFT: 4143 ... ..	
	STECKER:	
	WIRING DIAGRAM:	
	HYDR.SCHEMA: 4143 700 ...	
	PRUEFANWEISUNG: 4143 760 ...	
	OELEINF.MENGE:2,5L(OELST.KONTR.BOHRG.BEACHTEN)	
	OIL FILLING: YES	
	OIL SPECIFICATION TE ML 07	
	SHIFT SECURING DEVICE:	
	WEIGHT-TOTAL: ...KG	
	COLOR: VOLVO VCE GREY.	

# Assembly group overview

Page 1 from 1

Material number: 4143.020.048



2 HL 290 /

Graphics	Pos.	Material number	Name	Quantity	Amend. no.	Techn. Info.
414312504400	490	4143.125.044	INPUT HOUSING	1		
414310103030	10	4143.101.030	HOUSING	1		
414315101530	810	4143.151.015	MULTIDISK BRAKE	1		
414315201330	830	4143.152.013	COUPLING	1		
414311501730	290	4143.115.017	PLANETARY DRIVE	1		
414311540530	295	4143.115.405	PLANETARY DRIVE	1		
414311540130	300	4143.115.401	PLANETARY DRIVE	1		
414310303700	50	4143.103.037	OUTPUT	1		
414310342050	55	4143.103.420	OUTPUT	2		
414314202200	520	4143.142.022	GEAR SHIFT SENSOR	1		
414314240730	525	4143.142.407	GEAR SHIFT SENSOR	1		
414312101100	390	4143.121.011	OIL PIPE	1		
414313900500	900	4143.139.005	TYPE PLATE	1		

# Plant

Page 1 from 1

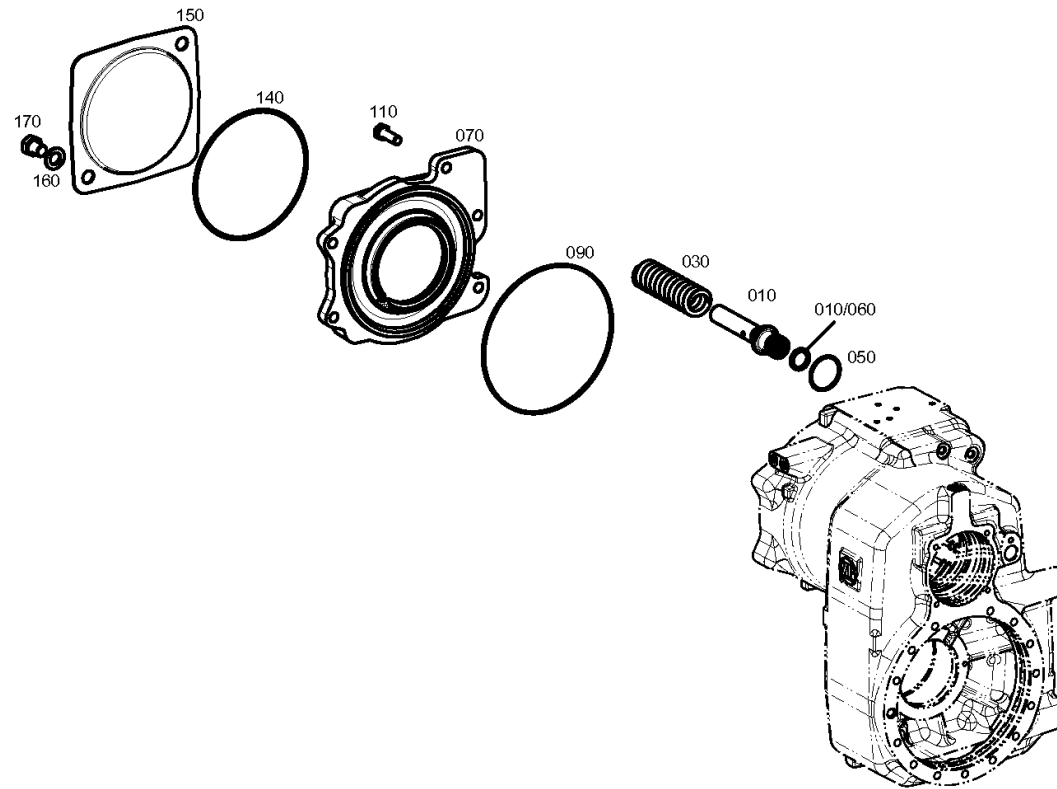
Material number: 4143.020.048

Plant: 414312504400

Material-assembly-group-no: 4143.125.044



2 HL 290 /  
INPUT HOUSING



# Plant

Page 1 from 1

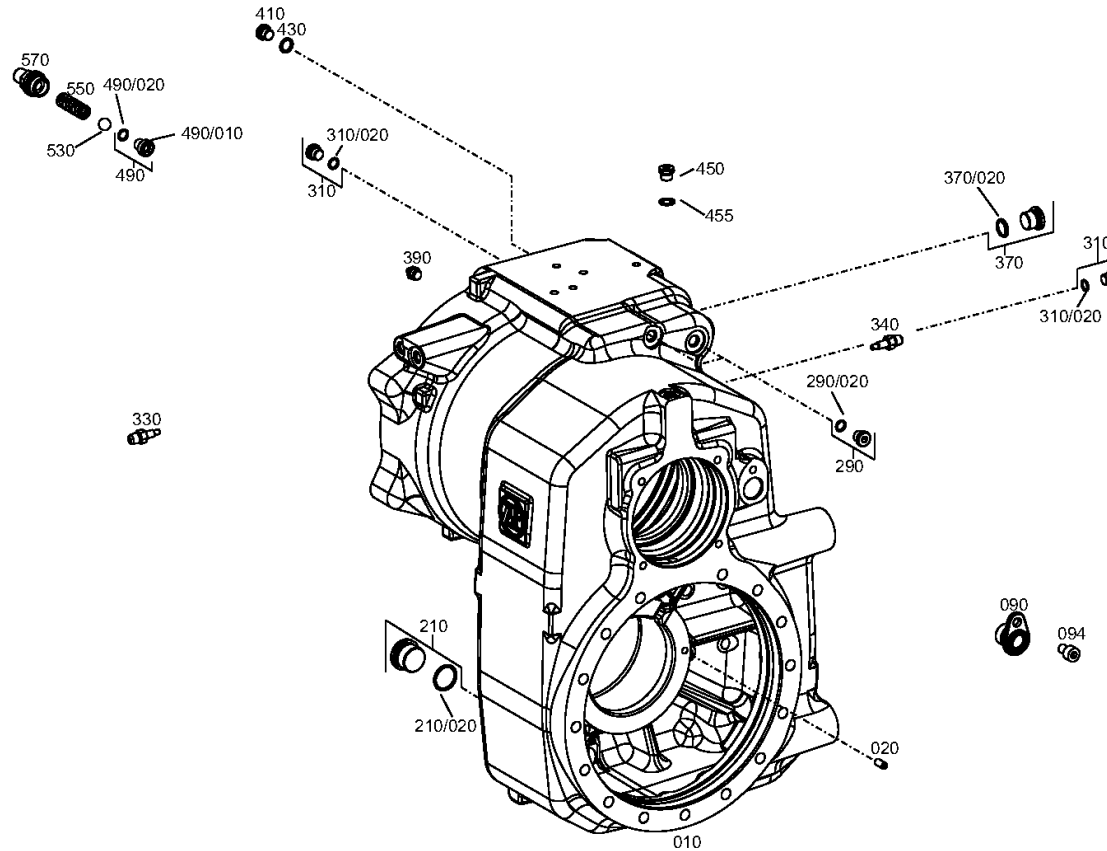
Material number: 4143.020.048

Plant: 414310103030

Material-assembly-group-no: 4143.101.030



2 HL 290 /  
HOUSING



# Plant

Page 1 from 1

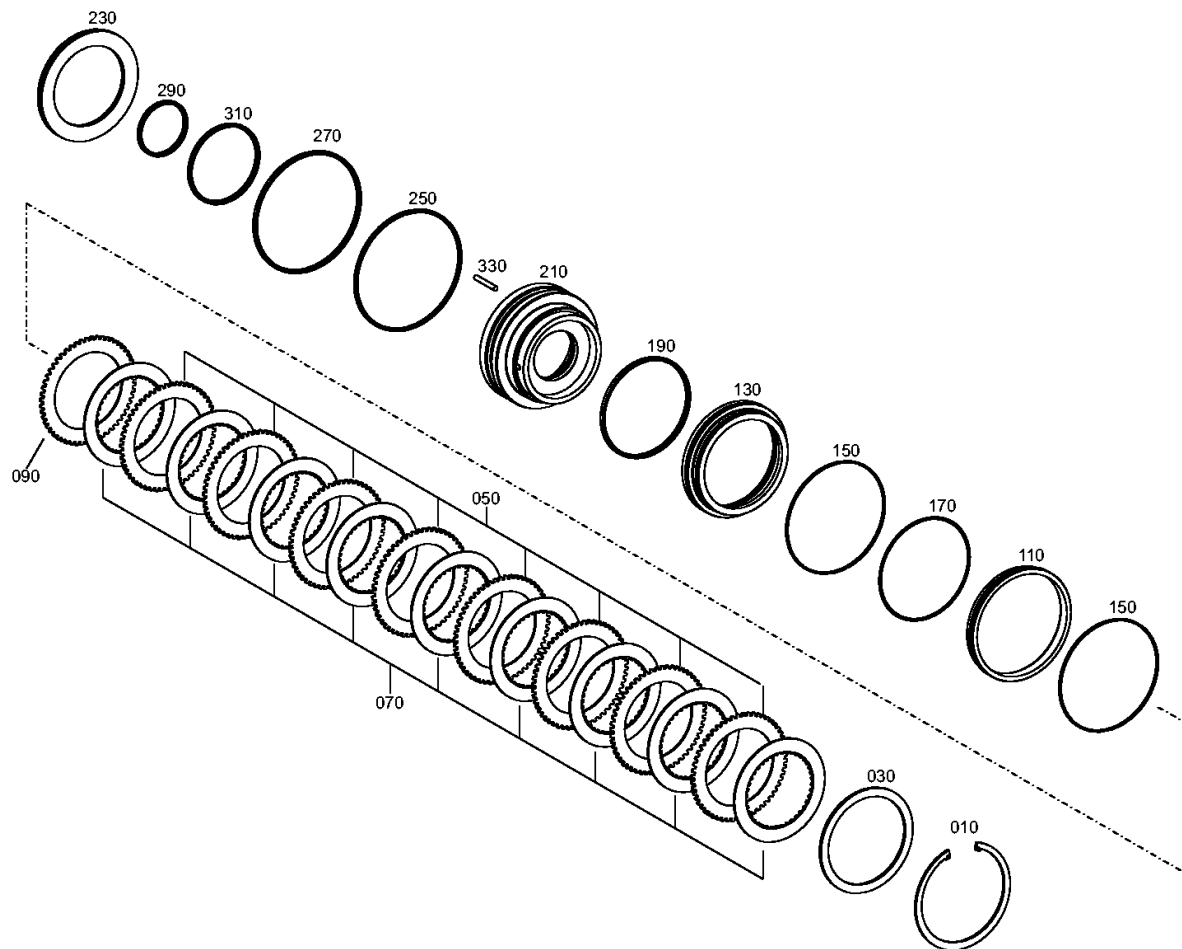
Material number: 4143.020.048

Plant: 414315101530

Material-assembly-group-no: 4143.151.015



2 HL 290 /  
MULTIDISK BRAKE





# Plant

Page 1 from 1

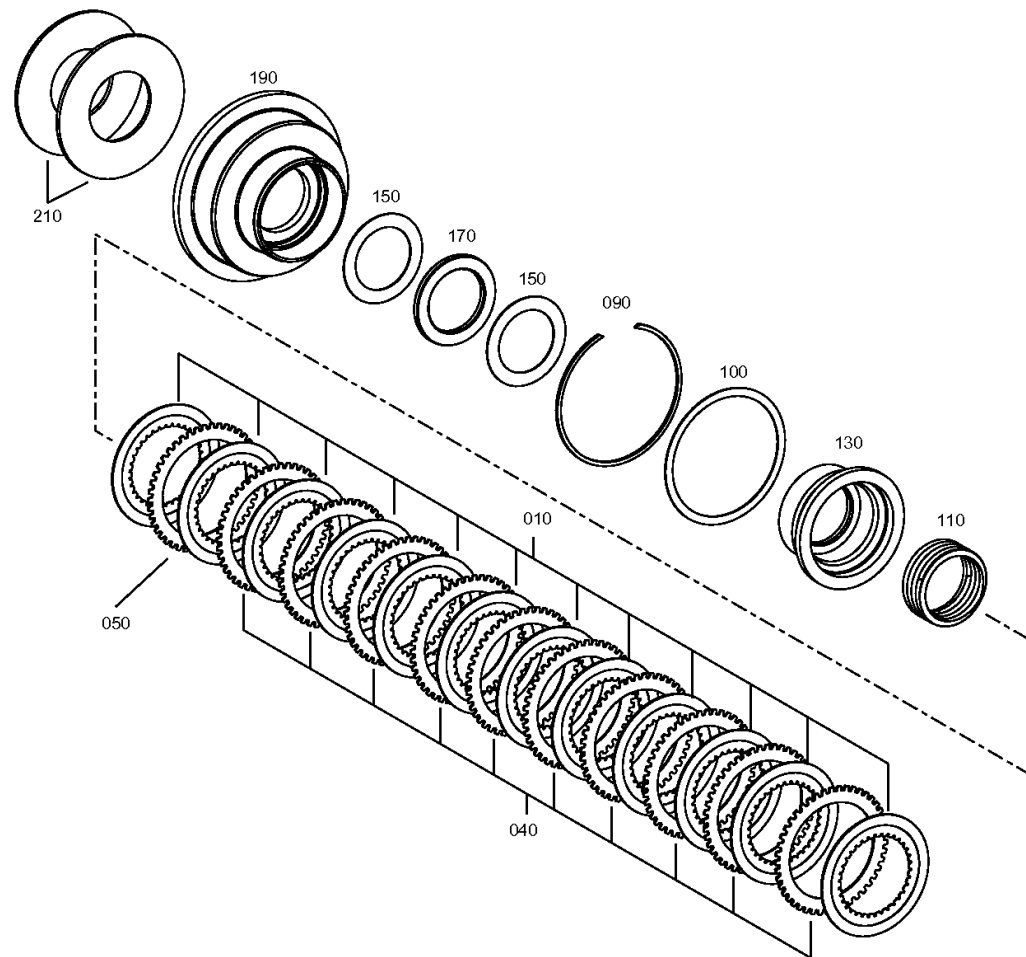
Material number: 4143.020.048

Plant: 414315201330

Material-assembly-group-no: 4143.152.013



2 HL 290 /  
COUPLING



# Plant

Page 1 from 1

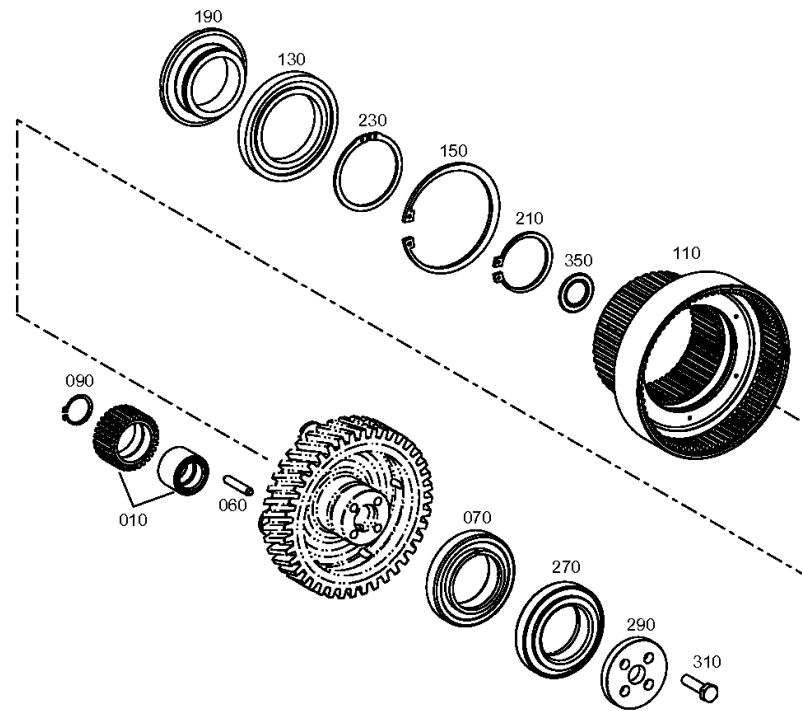
Material number: 4143.020.048

Plant: 414311501730

Material-assembly-group-no: 4143.115.017



2 HL 290 /  
PLANETARY DRIVE



# Plant

Page 1 from 1

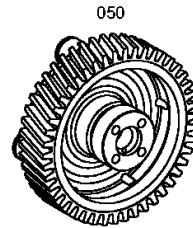
Material number: 4143.020.048

Plant: 414311540530

Material-assembly-group-no: 4143.115.405



2 HL 290 /  
PLANETARY DRIVE



# Plant

Page 1 from 1

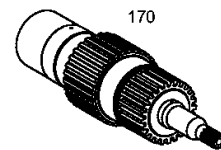
Material number: 4143.020.048

Plant: 414311540130

Material-assembly-group-no: 4143.115.401



2 HL 290 /  
PLANETARY DRIVE



# Plant

Page 1 from 1

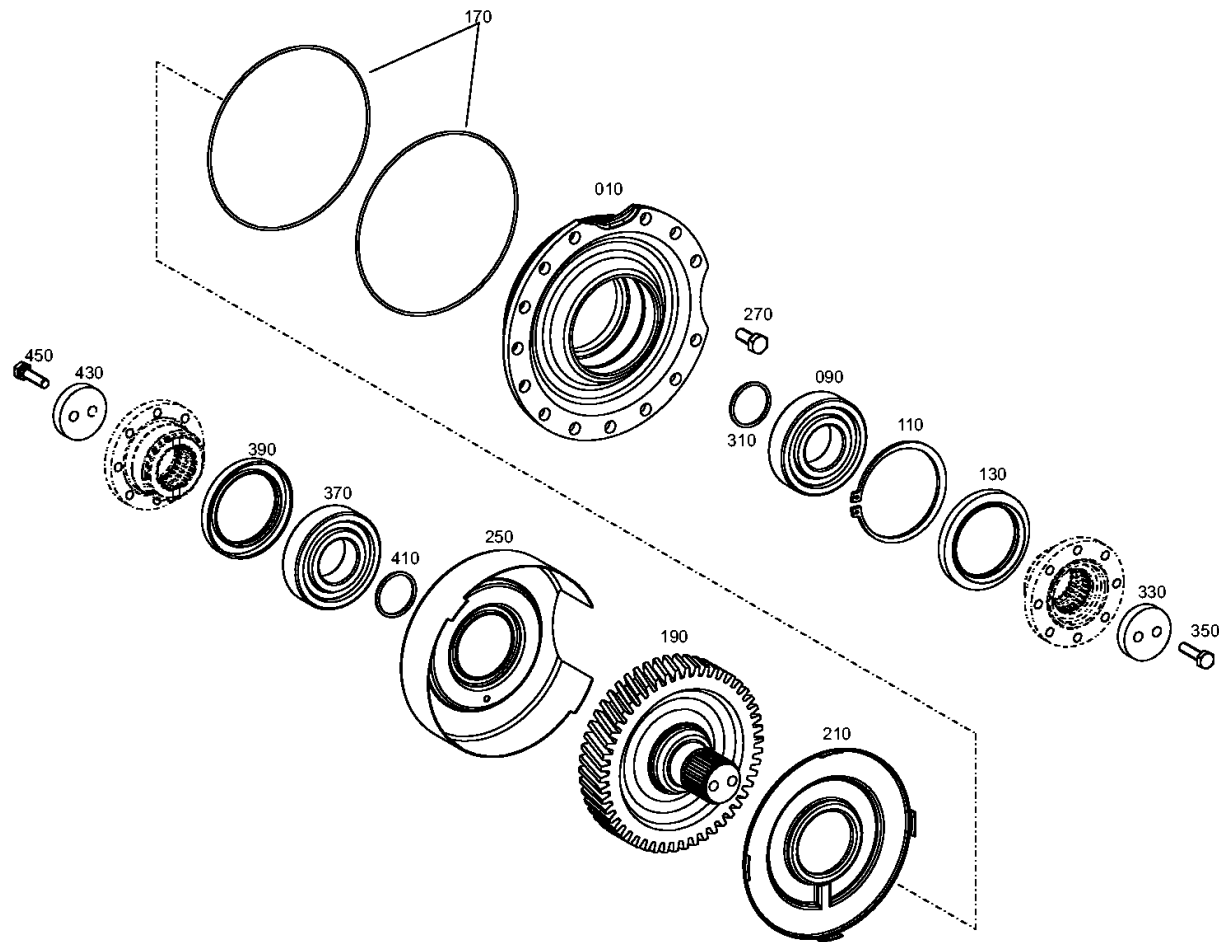
Material number: 4143.020.048

Plant: 414310303700

Material-assembly-group-no: 4143.103.037



2 HL 290 /  
OUTPUT



# Plant

Page 1 from 1

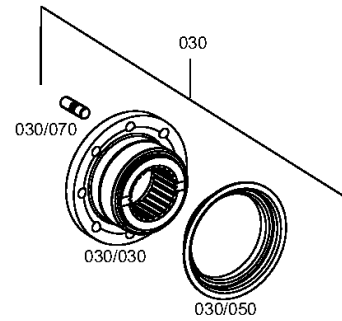
Material number: 4143.020.048

Plant: 414310342050

Material-assembly-group-no: 4143.103.420



2 HL 290 /  
OUTPUT



# Plant

Page 1 from 1

Material number: 4143.020.048

Plant: 414314202200

Material-assembly-group-no: 4143.142.022



2 HL 290 /  
GEAR SHIFT SENSOR



# Plant

Page 1 from 1

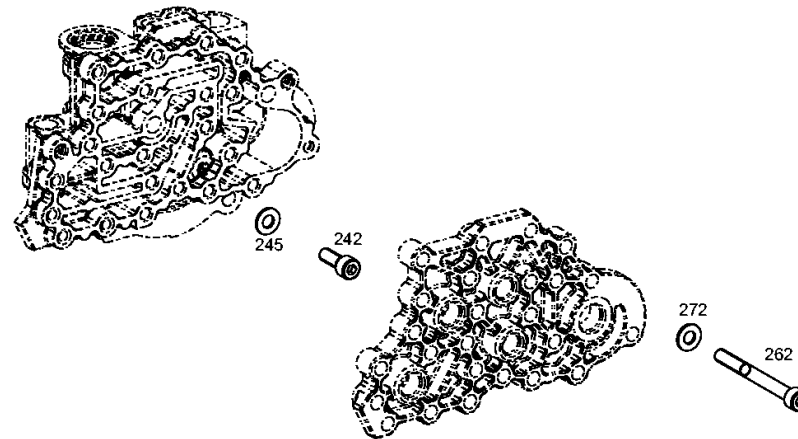
Material number: 4143.020.048

Plant: 414314240730

Material-assembly-group-no: 4143.142.407



2 HL 290 /  
GEAR SHIFT SENSOR





# Plant

Page 1 from 1

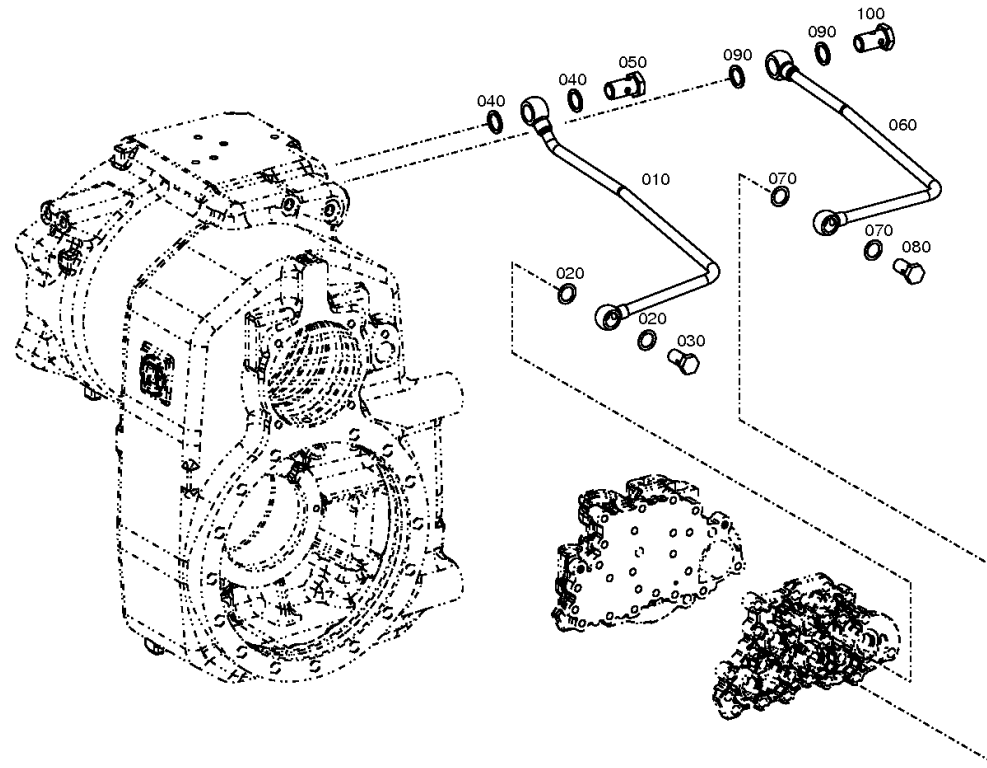
Material number: 4143.020.048

Plant: 414312101100

Material-assembly-group-no: 4143.121.011



2 HL 290 /  
OIL PIPE



# Plant

Page 1 from 1

Material number: 4143.020.048

Plant: 414313900500

Material-assembly-group-no: 4143.139.005



2 HL 290 /  
TYPE PLATE



010