



Spare Parts Catalog

2 HL 270

Material number: 4143.020.059

Current date: 30.09.2022

ZF Friedrichshafen AG
Hauptverwaltung
80038 Friedrichshafen
Deutschland

Telefon: +49 7541 77-0

Telefax: +49 7541 77-908000

www.zf.com

zuständiges Werk:
Passau

Notes relating to the spare parts catalog

Setup of the spare parts catalog

- Cover sheet
- Technical Cover (only in SDM print)
- Overview of figures
- Figure
- Associated parts list
- Next figure
- Associated parts list
- ...

Figure and parts list



Overview of figures

Bildtafel Figure	Sachnummer Product number	Benennung (Description)	Technische Info Technical info	Description (Benennung)	Menge Quantity	Einheit Unit
068.08.17	1316.170.001	AUSLEGER	WL	SHIFT TURRET	1	Stk
068.08.06	1316.170.031	DECKEL	WL*H-H *VM	COVER	1	Stk
068.08.14	1316.170.808	DECKEL	WL*AUSL+GEH*H-H*HF160N	COVER	1	Stk
08	1316.170.441	ANSCHLUSSTEILE	WL*NG-VORB*RG-SCHL*168N *BAJONETT	CONNECTING PARTS	1	Stk

The "gap" indicates that there is no separate graphics panel (poster) for this assembly
The parts of this assembly are shown with the same mid-section number on the figure

1 Positions and subpositions

Pos.	Sachnummer Product number	Benennung (Description)	Technische Info Technical info	Description (Benennung)	Menge Quantity	Einheit Unit
0370	1315.201.054	RUECKLAUFBOLZEN	KPL.16S151*SG*L= 79	REV.IDLER SHAFT	1	Stk
/0120	0631.329.293	SPANNSTIFT		SLOT. PIN	1	Stk

Positions marked with "/" are the individual items of a completion
For example: Position 0370 contains a centering pin with the position /0120

2 Combinations with standardized parts

Pos.	Sachnummer Product number	Benennung (Description)	Technische Info Technical info	Description (Benennung)	Menge Quantity	Einheit Unit
0630		VERSCHL.SCHR.		SCREW PLUG	1	Stk
	0636.302.067	VERSCHL.SCHR.		SCREW PLUG	1	Stk
	0634.801.249	DICHTRING	A 26 X 31	SEALING RING	1	Stk

The parts list shows the components included in the combination of standardized parts

3 Depiction of position/item number on the figure and in the parts list

01.620 - on the figure 01 relates to the assembly in which the position is included. Due to program-related reasons, it is shown on the figure.

0620 - in the parts list

Pos.	Sachnummer Product number	Benennung (Description)	Technische Info Technical info	Description (Benennung)	Menge Quantity	Einheit Unit
0620	0732.040.736	DRUCKFEDER		COMPRESSION SPRING	1	Stk

4 *-Positions

Positions marked with an * are optional i.e. inclusion in the parts list is not mandatory.
The following note is shown on the figure

je nach Stücklistenausführung
depending on spec. number
*
suivant la nomenclature
secondo la distinta base

5 Parts, dotted display

Parts with dotted display on the figure are only used for orientation of other parts

Technical Cover

Page 1 from 2

Material number: 4143.020.059



2 HL 270 /

Pos.	Information	Amendment number
	KUNDE:VOLVO-KONZ	
	IDENT-NR: 1438 5680	
	PROJECT-NO.:	
	VEHICLE DATA:	
	MOBILBAGGER EW-160 C	
	FAHRZEUGMASSE: 17,7T	
	MOTORLEISTUNG: P=100 KW BEI N=2000 UPM	
	HYDRO PUMP:	
	MOTOR: HYDROMATIK A6VM 140	
	DIFFERENZDRUCK:	
	DREHMOMENT: T= 726 NM BEI P= 343 BAR	
	DREHZAHL: N-MAX= 3511 UPM	
	TIRES:	
	R.DYN. 0,506 M	
	VORDERACHSE: I-GES=16,0 MS-E 3060	
	HINTERACHSE: I-GES=16,0 MT-E 3060	
	ZUGKRAFTDIA.: 4143 701 571()	
	READY TO BRAKE	
	BREMSBERECH.: 4143 709 217()	
	PRODUCT DESCRIPTION:	
	TYP: 2 HL 270	
	INSTALLATION: SEPARATELY	
	EINBAULAGE:VERTIKAL	
	RATIOS:	
	1.G=4,87 2.G=1,196	
	KUPPLUNGSDRUCK:	
	BRAKE:	
	AUXILIAR BRAKE AND PARKING BRAKE	
	BRAKING-OPERATION:INTERLOCKED SEP.CLUTCHES	
	BRAKE TORQUE:SEE BRAKE CALCULATION	
	DRAWINGS:	
	SCHNITT: 4143 020 031(0)	
	EINBAU: 4143 620 016	

Technical Cover

Page 2 from 2

Material number: 4143.020.059



2 HL 270 /

Pos.	Information	Amendment number
	ASS. INSTR.:	
	SETTING SPEC.: 4143 700 085()	
	LASTENHEFT: 4143	
	STECKER:	
	WIRING DIAGRAM:	
	HYDR.SCHEMA: 4143 700 ...	
	PRUEFANWEISUNG: 4143 760 ...	
	OELEINF.MENGE:2,5L(OELST.KONTR.BOHRG.BEACHTEN)	
	OIL FILLING: YES	
	OIL SPECIFICATION TE ML 07	
	SHIFT SECURING DEVICE:	
	WEIGHT-TOTAL: ...KG	
	COLOR: VOLVO VCE GREY.	

Assembly group overview

Page 1 from 1

Material number: 4143.020.059



2 HL 270 /

Picture	Pos.	Material number	Name	Quantity	Amend. no.	Techn. Info.
4143125044 20	490	4143.125.044	INPUT HOUSING	1		
4143101030 20	10	4143.101.030	HOUSING	1		
4143151017 00	810	4143.151.017	MULTIDISK BRAKE	1		
4143152011 00	830	4143.152.011	COUPLING	1		
4143115017 00	290	4143.115.017	PLANETARY DRIVE	1		
4143115405 00	295	4143.115.405	PLANETARY DRIVE	1		
4143115401 00	300	4143.115.401	PLANETARY DRIVE	1		
4143103037 20	50	4143.103.037	OUTPUT	1		
4143103420 50	55	4143.103.420	OUTPUT	1		
4143103420 50	57	4143.103.420	OUTPUT	1		
4143142022 20	520	4143.142.022	GEAR SHIFT SENSOR	1		
4143142407 20	525	4143.142.407	GEAR SHIFT SENSOR	1		
4143121011 20	390	4143.121.011	OIL PIPE	1		
4143139005 00	900	4143.139.005	TYPE PLATE	1		

Picture

Page 1 from 1

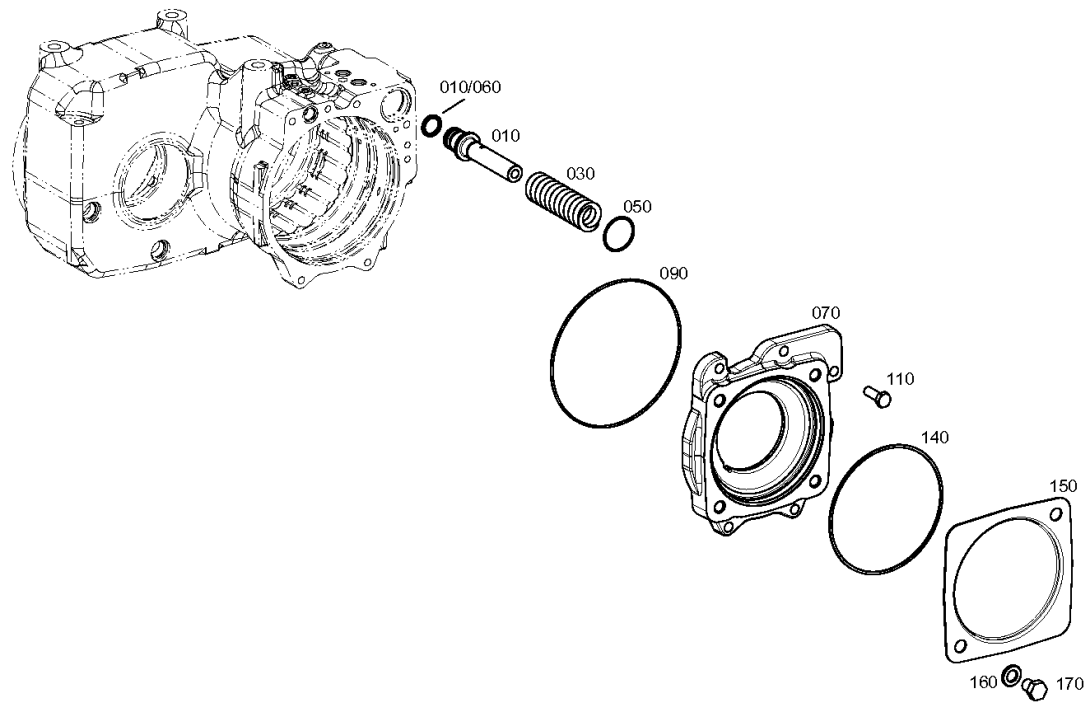
Material number: 4143.020.059

Picture: 414312504420

Material-assembly-group-no: 4143.125.044



2 HL 270 /
INPUT HOUSING



Picture

Page 1 from 1

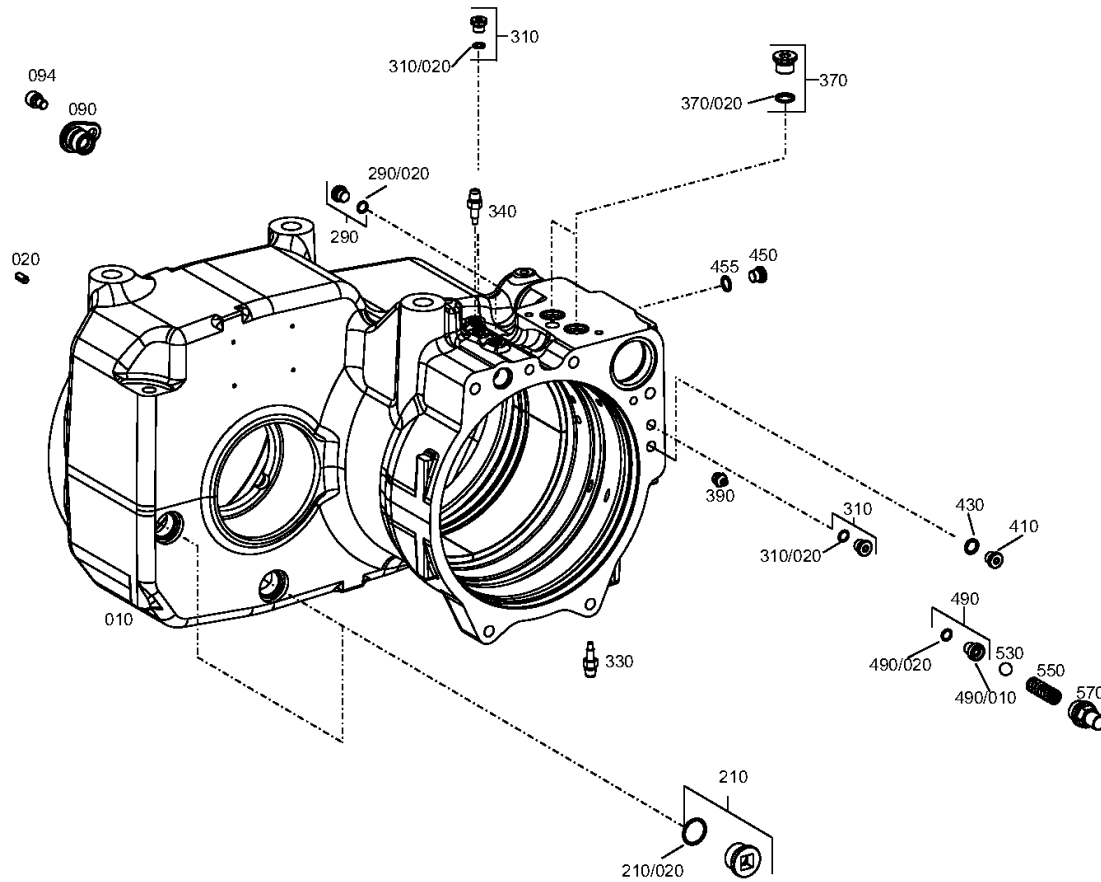
Material number: 4143.020.059

Picture: 414310103020

Material-assembly-group-no: 4143.101.030



2 HL 270 /
HOUSING



Picture

Page 1 from 1

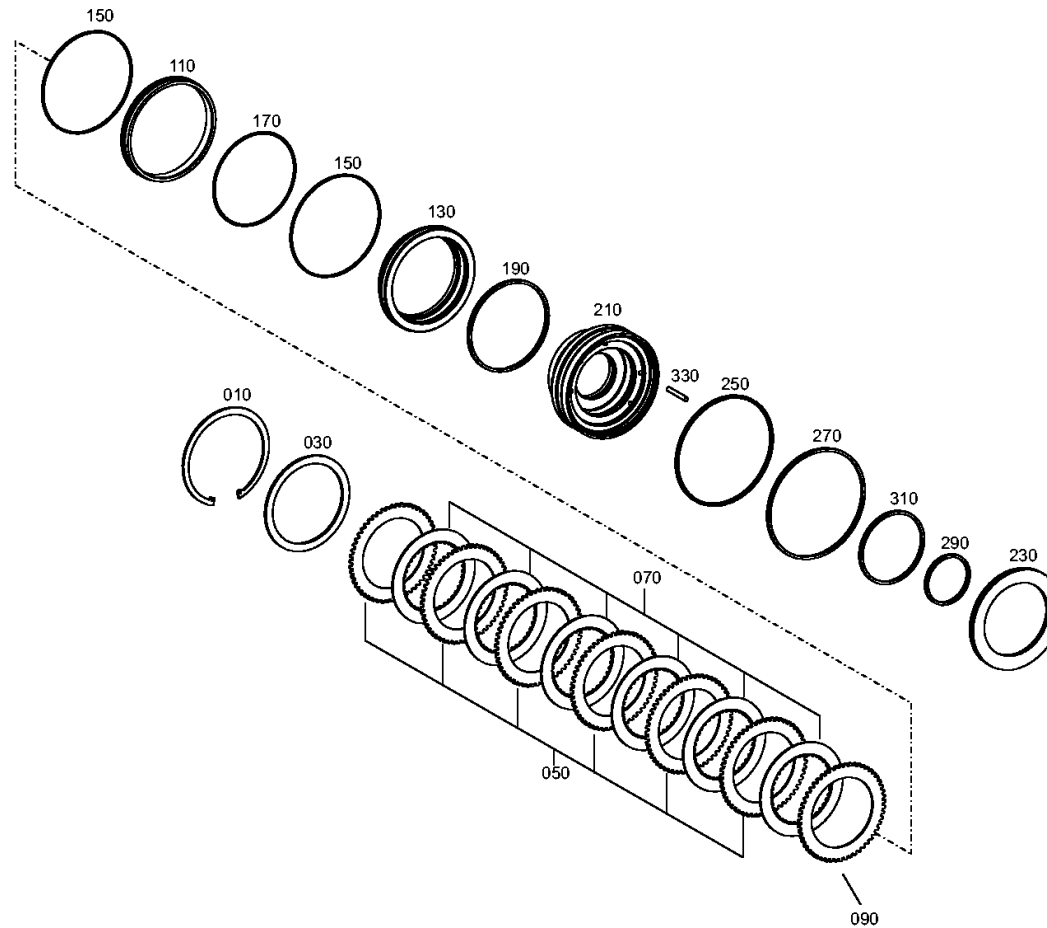
Material number: 4143.020.059

Picture: 414315101700

Material-assembly-group-no: 4143.151.017



2 HL 270 /
MULTIDISK BRAKE



Picture

Page 1 from 1

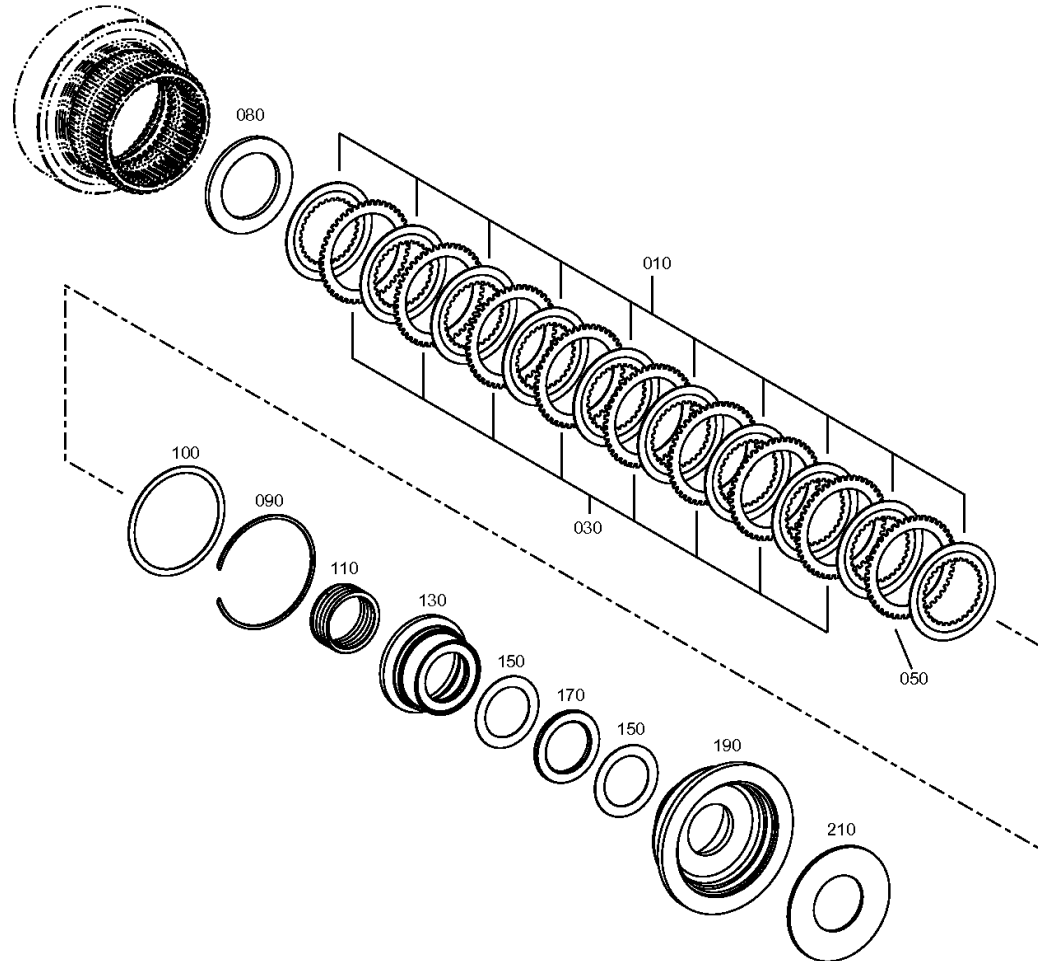
Material number: 4143.020.059

Picture: 414315201100

Material-assembly-group-no: 4143.152.011



2 HL 270 /
COUPLING



Picture

Page 1 from 1

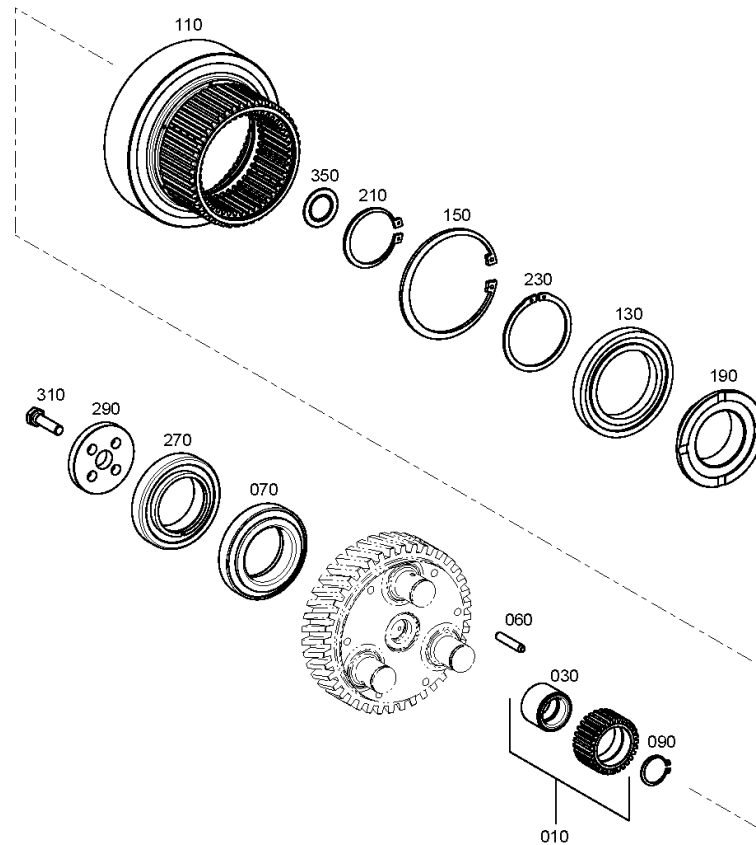
Material number: 4143.020.059

Picture: 414311501700

Material-assembly-group-no: 4143.115.017



2 HL 270 /
PLANETARY DRIVE



Picture

Page 1 from 1

Material number: 4143.020.059

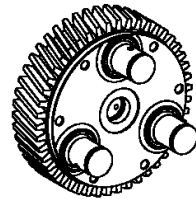
Picture: 414311540500

Material-assembly-group-no: 4143.115.405



2 HL 270 /
PLANETARY DRIVE

050



Picture

Page 1 from 1

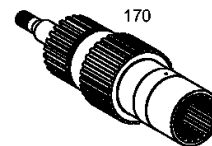
Material number: 4143.020.059

Picture: 414311540100

Material-assembly-group-no: 4143.115.401



2 HL 270 /
PLANETARY DRIVE



Picture

Page 1 from 1

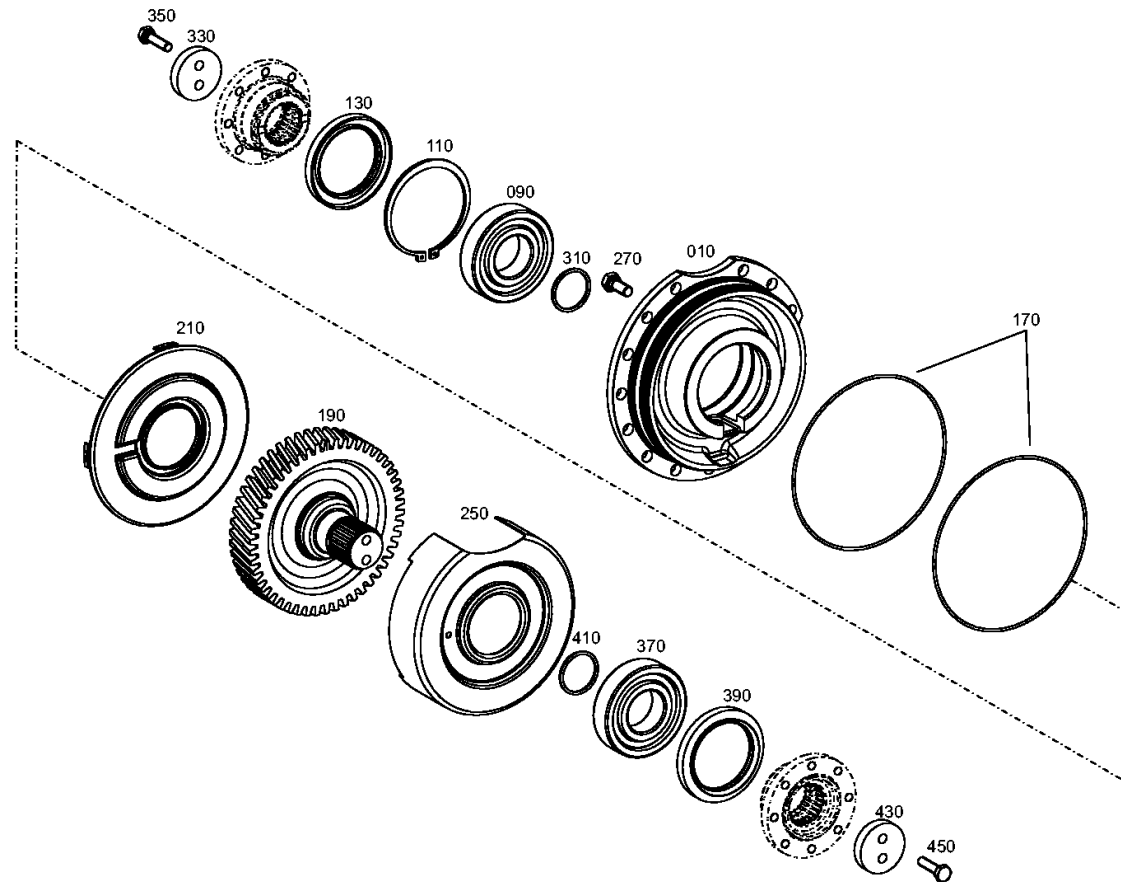
Material number: 4143.020.059

Picture: 414310303720

Material-assembly-group-no: 4143.103.037



2 HL 270 /
OUTPUT



Picture

Page 1 from 1

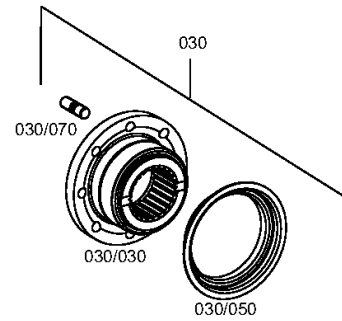
Material number: 4143.020.059

Picture: 414310342050

Material-assembly-group-no: 4143.103.420



2 HL 270 /
OUTPUT



Picture

Page 1 from 1

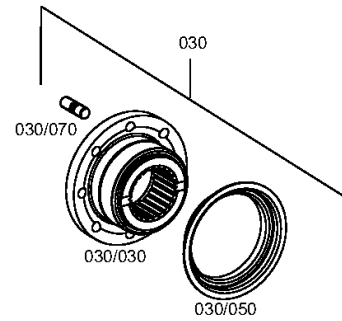
Material number: 4143.020.059

Picture: 414310342050

Material-assembly-group-no: 4143.103.420



2 HL 270 /
OUTPUT



Picture

Page 1 from 1

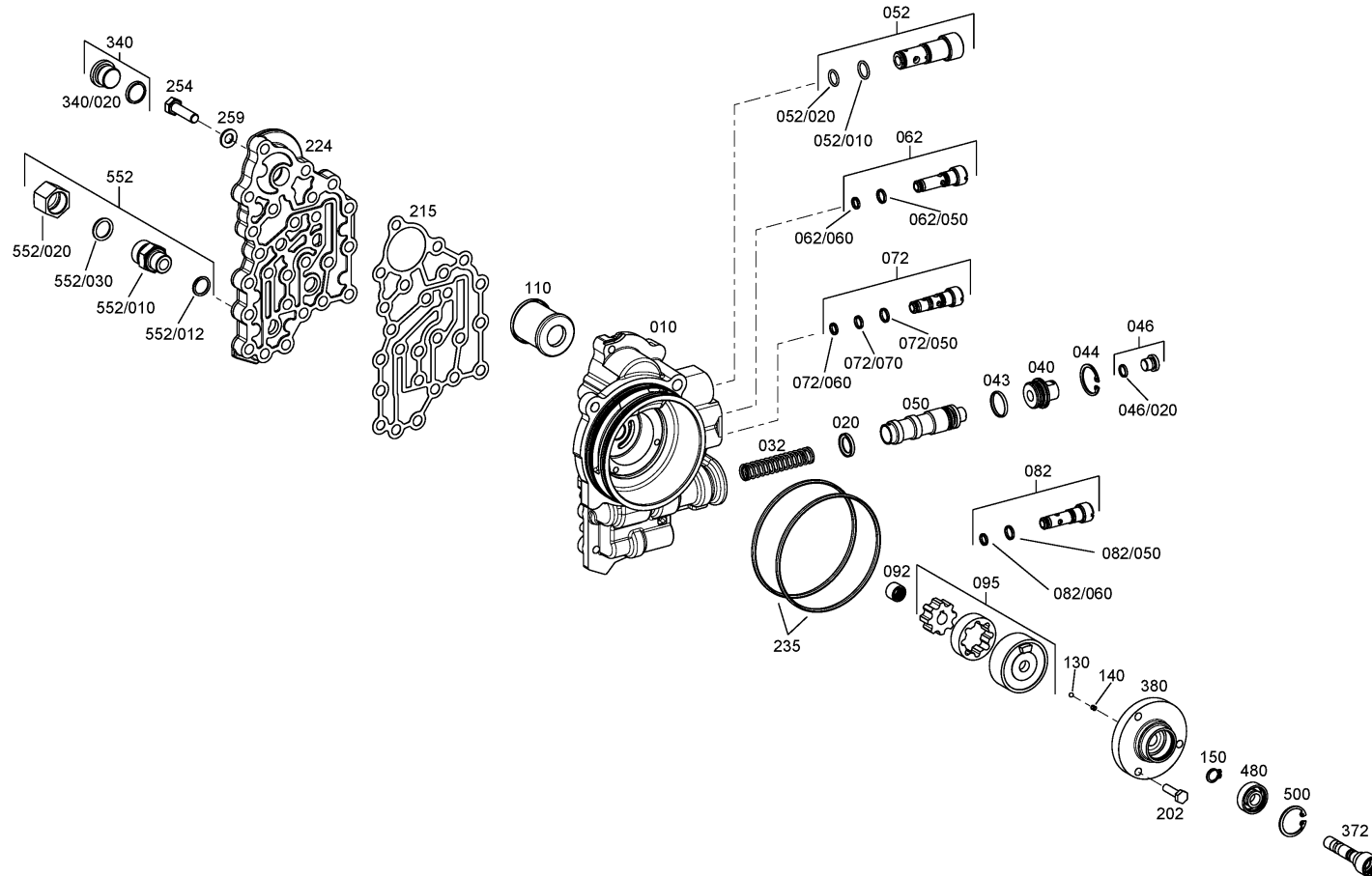
Material number: 4143.020.059

Picture: 414314202220

Material-assembly-group-no: 4143.142.022



2 HL 270 /
GEAR SHIFT SENSOR



Picture

Page 1 from 1

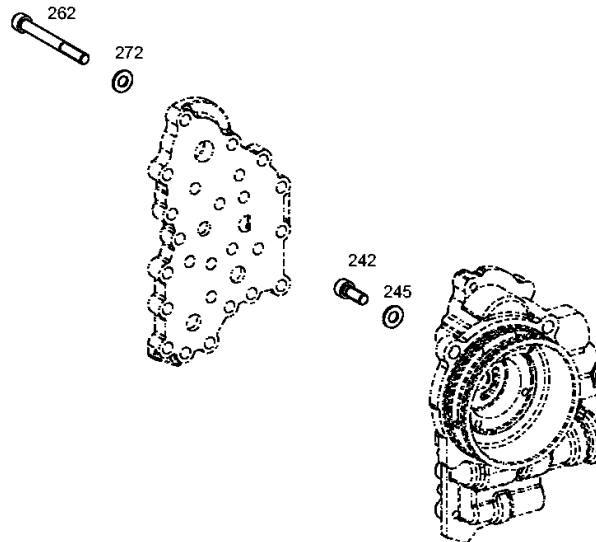
Material number: 4143.020.059

Picture: 414314240720

Material-assembly-group-no: 4143.142.407



2 HL 270 /
GEAR SHIFT SENSOR



Picture

Page 1 from 1

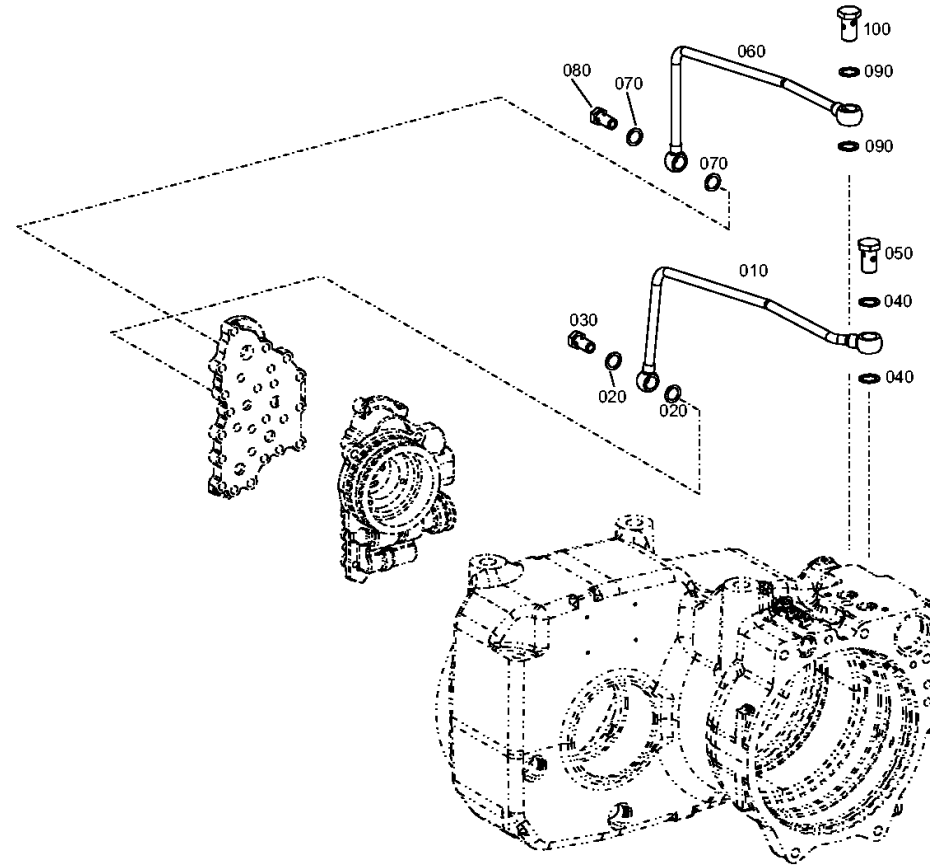
Material number: 4143.020.059

Picture: 414312101120

Material-assembly-group-no: 4143.121.011



2 HL 270 /
OIL PIPE



Picture

Page 1 from 1

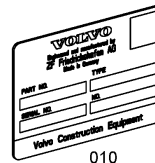
Material number: 4143.020.059

Picture: 414313900500

Material-assembly-group-no: 4143.139.005



2 HL 270 /
TYPE PLATE



010