



# Spare Parts Catalog

DR 350

Material number: 4145.002.013

Current date: 10.06.2011

ZF Friedrichshafen AG  
Hauptverwaltung  
80038 Friedrichshafen  
Deutschland

Telefon: +49 7541 77-0

Telefax: +49 7541 77-908000

[www.zf.com](http://www.zf.com)

zuständiges Werk:  
Passau

# Notes relating to the spare parts catalog

## Setup of the spare parts catalog

- Cover sheet
- Technical Cover (only in SDM print)
- Overview of figures
- Figure
- Associated parts list
- Next figure
- Associated parts list
- ...

## Figure and parts list



## Overview of figures

Bildtafel Figure	Sachnummer Product number	Benennung (Description)	Technische Info Technical info	Description (Benennung)	Menge Quantity	Einheit Unit
068.08.17	1316.170.001	AUSLEGER	WL	SHIFT TURRET	1	Stk
068.08.06	1316.170.031	DECKEL	WL*H-H *VM	COVER	1	Stk
068.08.14	1316.170.808	DECKEL	WL*AUSL+GEH*H-H*HF160N	COVER	1	Stk
08	1316.170.441	ANSCHLUSSTEILE	WL*NG-VORB*RG-SCHL*168N *BAJONETT	CONNECTING PARTS	1	Stk

The "gap" indicates that there is no separate graphics panel (poster) for this assembly  
The parts of this assembly are shown with the same mid-section number on the figure

### 1 Positions and subpositions

Pos.	Sachnummer Product number	Benennung (Description)	Technische Info Technical info	Description (Benennung)	Menge Quantity	Einheit Unit
0370	1315.201.054	RUECKLAUFBOLZEN	KPL.16S151*SG*L= 79	REV.IDLER SHAFT	1	Stk
/0120	0631.329.293	SPANNSTIFT		SLOT. PIN	1	Stk

Positions marked with "/" are the individual items of a completion  
For example: Position 0370 contains a centering pin with the position /0120

### 2 Combinations with standardized parts

Pos.	Sachnummer Product number	Benennung (Description)	Technische Info Technical info	Description (Benennung)	Menge Quantity	Einheit Unit
0630		VERSCHL.SCHR.		SCREW PLUG	1	Stk
	0636.302.067	VERSCHL.SCHR.		SCREW PLUG	1	Stk
	0634.801.249	DICHTRING	A 26 X 31	SEALING RING	1	Stk

The parts list shows the components included in the combination of standardized parts

### 3 Depiction of position/item number on the figure and in the parts list

01.620 - on the figure      01 relates to the assembly in which the position is included. Due to program-related reasons, it is shown on the figure.

0620 - in the parts list

Pos.	Sachnummer Product number	Benennung (Description)	Technische Info Technical info	Description (Benennung)	Menge Quantity	Einheit Unit
0620	0732.040.736	DRUCKFEDER		COMPRESSION SPRING	1	Stk

### 4 \*-Positions

Positions marked with an \* are optional i.e. inclusion in the parts list is not mandatory.  
The following note is shown on the figure

je nach Stücklistenausführung  
depending on spec. number  
\*  
suivant la nomenclature  
secondo la distinta base

### 5 Parts, dotted display

Parts with dotted display on the figure are only used for orientation of other parts

# Technical Cover

Page 1 from 1

Material number: 4145.002.013



DR 350 /

Pos.	Information	Amendment number
	CUSTOMER: SENNEBOGEN	
	IDENT-NO: 070696	
	VEHICLE DATA:	
	DATA SHEET: 4145 701 013	
	HYDR. MOTOR: A2FM80	
	SPLINE PROFILE: W40X2	
	INPUT SPEED: MAX.3000 1/MIN	
	NO OF TEETH: PINION=14	
	MODULE: 10,0	
	PRODUCT DESCRIPTION:	
	TYPE: DR 350	
	RATIO: 32,84	
	GREASE FILLING: 0,10 KG	
	GLISSANDO 283 EP2 LF	
	BRAKE:	
	MULTI-DISC BRAKE HYDR.RELEASED PORT EXT.	
	HOLDING TORQUE: CA.16500 NM	
	RELEASE PRESSURE: MIN.:18BAR MAX:35BAR	
	DRAWINGS:	
	SECTION DRAWING: 4145 002 010	
	INSTALLATION DRAWING: 4145 602 007	
	SPECIFICATION: 4145 700 011	
	TEST INSTRUCT. 4145 760 003	
	ASSEMBLY INSTRUCTION:	
	SETT. INSTRUCT.: 4145 700 012	
	OIL FILLING: NO	
	OIL SPECIFICATION: TE ML 07	
	WEIGHT TOTAL: 143,5KG	
	COLOUR: BLACK RAL 9005	

# Assembly group overview

Page 1 from 1

Material number: 4145.002.013



DR 350 /

Picture	Pos.	Material number	Name	Quantity	Amend. no.	Techn. Info.
414510200100	30	4145.102.009	INPUT	1		
414510301700	50	4145.103.017	OUTPUT	1		
414510342200	55	4145.103.422	OUTPUT	1		
414510901400	170	4145.109.014	BRAKE	1		
414510940400	175	4145.109.404	BRAKE	1		

# Picture

Page 1 from 1

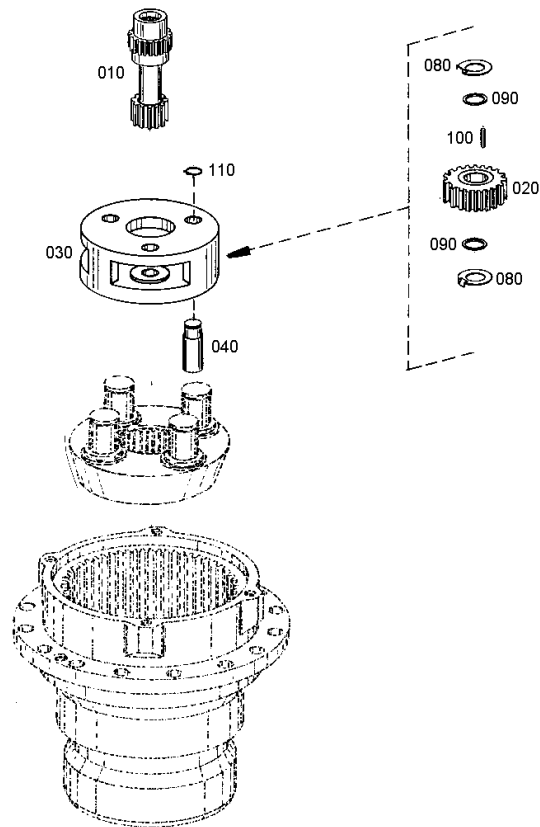
Material number: 4145.002.013

Picture: 414510200100

Material-assembly-group-no: 4145.102.009



DR 350 /  
INPUT



# Picture

Page 1 from 1

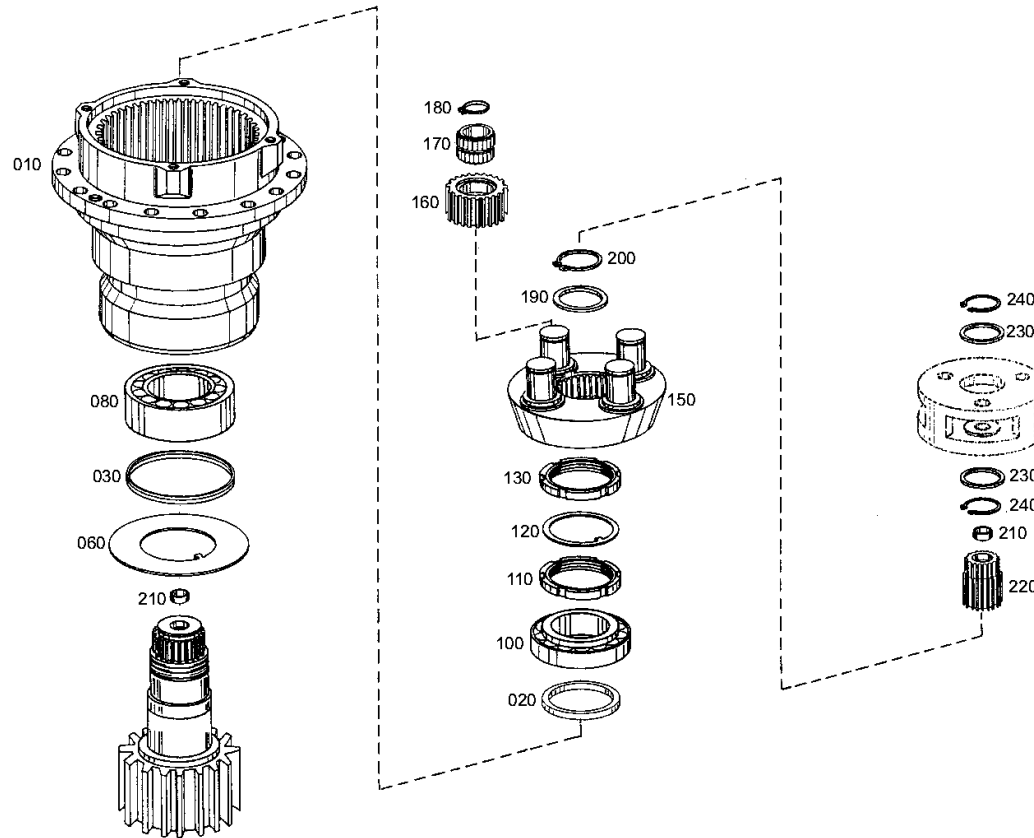
Material number: 4145.002.013

Picture: 414510301700

Material-assembly-group-no: 4145.103.017



DR 350 /  
OUTPUT



# Picture

Page 1 from 1

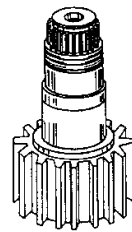
Material number: 4145.002.013

Picture: 414510342200

Material-assembly-group-no: 4145.103.422



DR 350 /  
OUTPUT



070

# Picture

Page 1 from 1

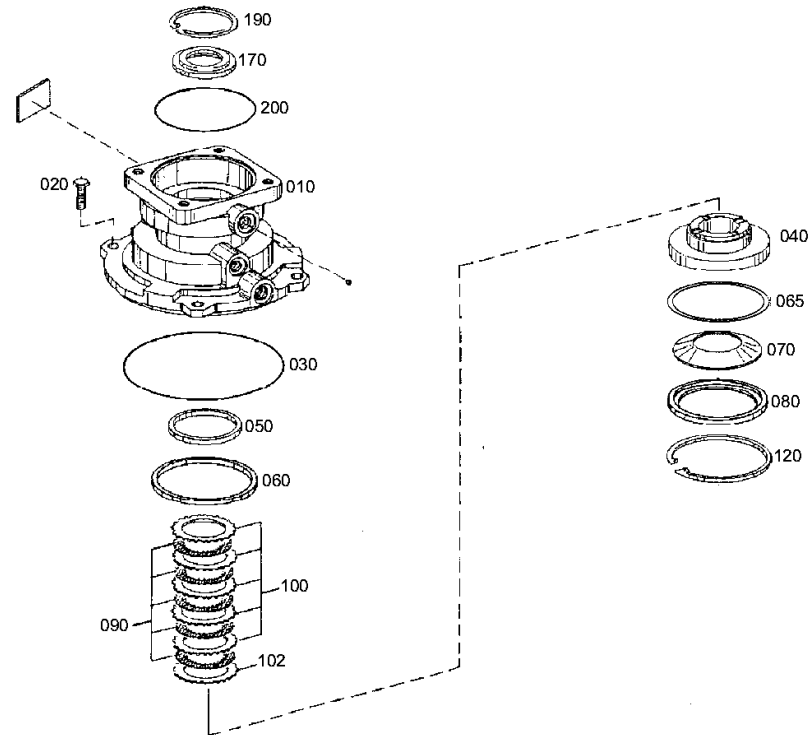
Material number: 4145.002.013

Picture: 414510901400

Material-assembly-group-no: 4145.109.014



DR 350 /  
BRAKE





# Picture

Page 1 from 1

Material number: 4145.002.013

Picture: 414510940400

Material-assembly-group-no: 4145.109.404



DR 350 /  
BRAKE

