



Spare Parts Catalog

2 K 300 GA

Material number: 4161.072.302

Current date: 11.04.2022

ZF Friedrichshafen AG
Hauptverwaltung
80038 Friedrichshafen
Deutschland

Telefon: +49 7541 77-0

Telefax: +49 7541 77-908000

www.zf.com

zuständiges Werk:
Friedrichshafen

Notes relating to the spare parts catalog

Setup of the spare parts catalog

- Cover sheet
- Technical Cover (only in SDM print)
- Overview of figures
- Figure
- Associated parts list
- Next figure
- Associated parts list
- ...

Figure and parts list



Overview of figures

Bildtafel Figure	Sachnummer Product number	Benennung (Description)	Technische Info Technical info	Description (Benennung)	Menge Quantity	Einheit Unit
068.08.17	1316.170.001	AUSLEGER	WL	SHIFT TURRET	1	Stk
068.08.06	1316.170.031	DECKEL	WL*H-H *VM	COVER	1	Stk
068.08.14	1316.170.808	DECKEL	WL*AUSL+GEH*H-H*HF160N	COVER	1	Stk
08	1316.170.441	ANSCHLUSSTEILE	WL*NG-VORB*RG-SCHL*168N *BAJONETT	CONNECTING PARTS	1	Stk

The "gap" indicates that there is no separate graphics panel (poster) for this assembly
The parts of this assembly are shown with the same mid-section number on the figure

1 Positions and subpositions

Pos.	Sachnummer Product number	Benennung (Description)	Technische Info Technical info	Description (Benennung)	Menge Quantity	Einheit Unit
0370	1315.201.054	RUECKLAUFBOLZEN	KPL.16S151*SG*L= 79	REV.IDLER SHAFT	1	Stk
/0120	0631.329.293	SPANNSTIFT		SLOT. PIN	1	Stk

Positions marked with "/" are the individual items of a completion
For example: Position 0370 contains a centering pin with the position /0120

2 Combinations with standardized parts

Pos.	Sachnummer Product number	Benennung (Description)	Technische Info Technical info	Description (Benennung)	Menge Quantity	Einheit Unit
0630		VERSCHL.SCHR.		SCREW PLUG	1	Stk
	0636.302.067	VERSCHL.SCHR.		SCREW PLUG	1	Stk
	0634.801.249	DICHTRING	A 26 X 31	SEALING RING	1	Stk

The parts list shows the components included in the combination of standardized parts

3 Depiction of position/item number on the figure and in the parts list

01.620 - on the figure 01 relates to the assembly in which the position is included. Due to program-related reasons, it is shown on the figure.

0620 - in the parts list

Pos.	Sachnummer Product number	Benennung (Description)	Technische Info Technical info	Description (Benennung)	Menge Quantity	Einheit Unit
0620	0732.040.736	DRUCKFEDER		COMPRESSION SPRING	1	Stk

4 *-Positions

Positions marked with an * are optional i.e. inclusion in the parts list is not mandatory.
The following note is shown on the figure

je nach Stücklistenausführung
depending on spec. number
*
suivant la nomenclature
secondo la distinta base

5 Parts, dotted display

Parts with dotted display on the figure are only used for orientation of other parts

Technical Cover

Page 1 from 1

Material number: 4161.072.302



2 K 300 GA /

Pos.	Information	Amendment number
001	Use case -----	
002	Customer Siemens AG	
003	City Muenchen	
004	DUNS 31-606-7164	
005	Classification use case -----	
007	OUTPUT SPEED, BRAKE POWER 5000 1/min	
013	VIBRATION QUANTITY 1.4 mm/s	
016	Product description -----	
017	VIBRATION QUANTITY 1.4 mm/s	
018	SPEED AT MAX VIBRATION QUANTITY 5000 1/min	
027	Alias ID -----	
028	Siemens AG 2LG4320-3JC13	

Assembly group overview

Page 1 from 1

Material number: 4161.072.302



2 K 300 GA /

Picture	Pos.	Material number	Name	Quantity	Amend. no.	Techn. Info.
	910	4161.027.306	2 K 300	1		
012.02.90-1	920	4161.102.504	CONNECTING PARTS	1		
012.06.02-1	52	4161.106.016	CONNECTING PARTS	1		

Picture

Page 1 from 1

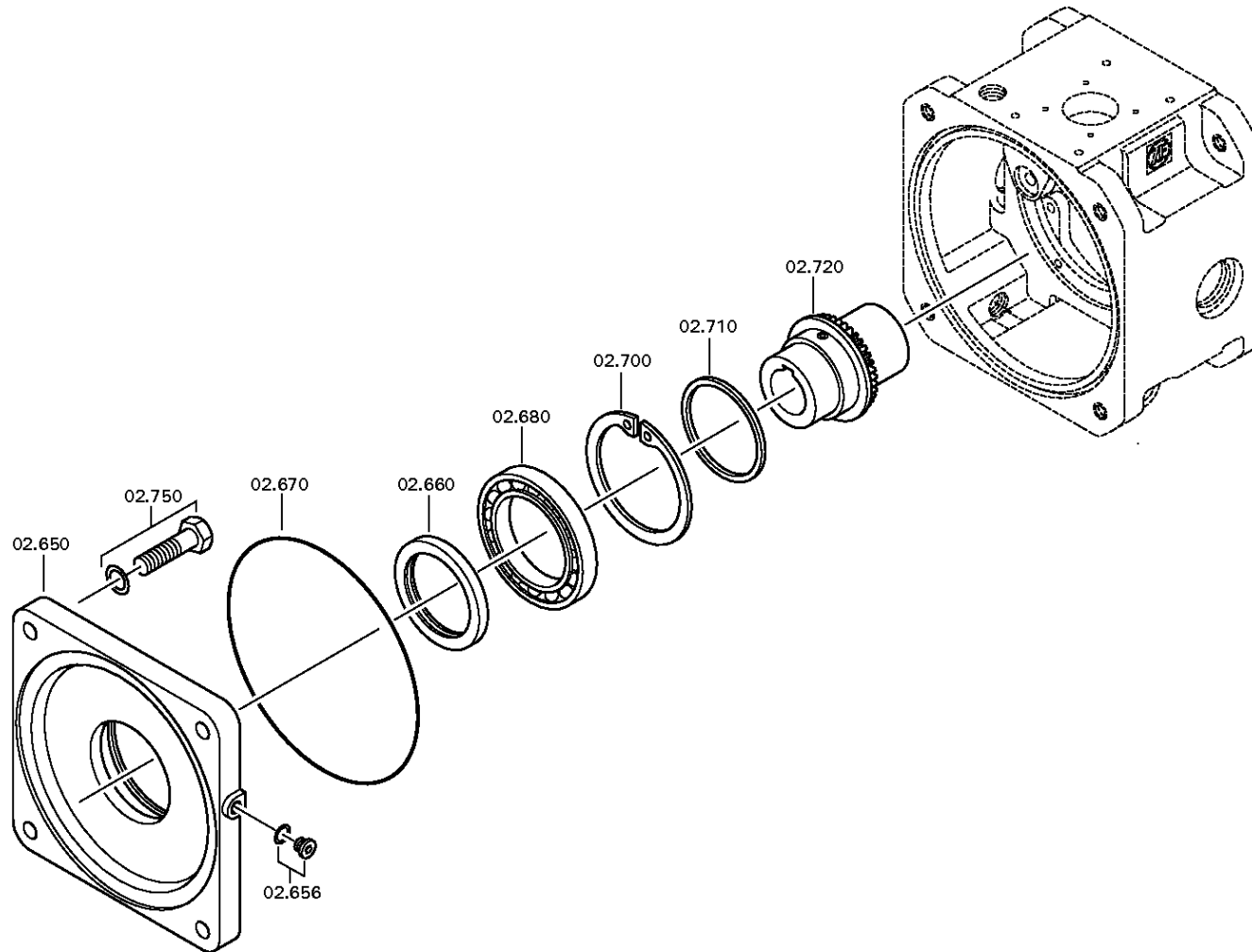
Material number: 4161.072.302

Picture: 012.02.90-1

Material-assembly-group-no: 4161.102.504



2 K 300 GA /
CONNECTING PARTS



Picture

Page 1 from 1

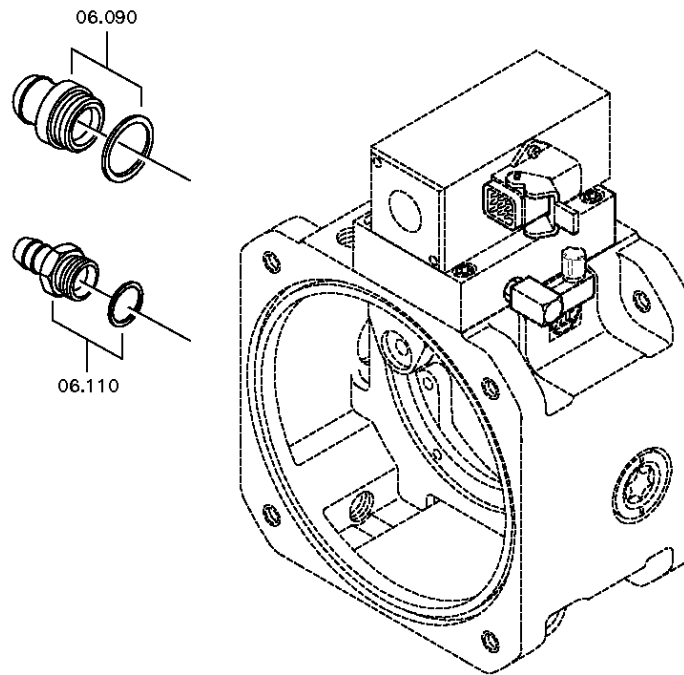
Material number: 4161.072.302

Picture: 012.06.02-1

Material-assembly-group-no: 4161.106.016



2 K 300 GA /
CONNECTING PARTS



Picture

Page 1 from 1

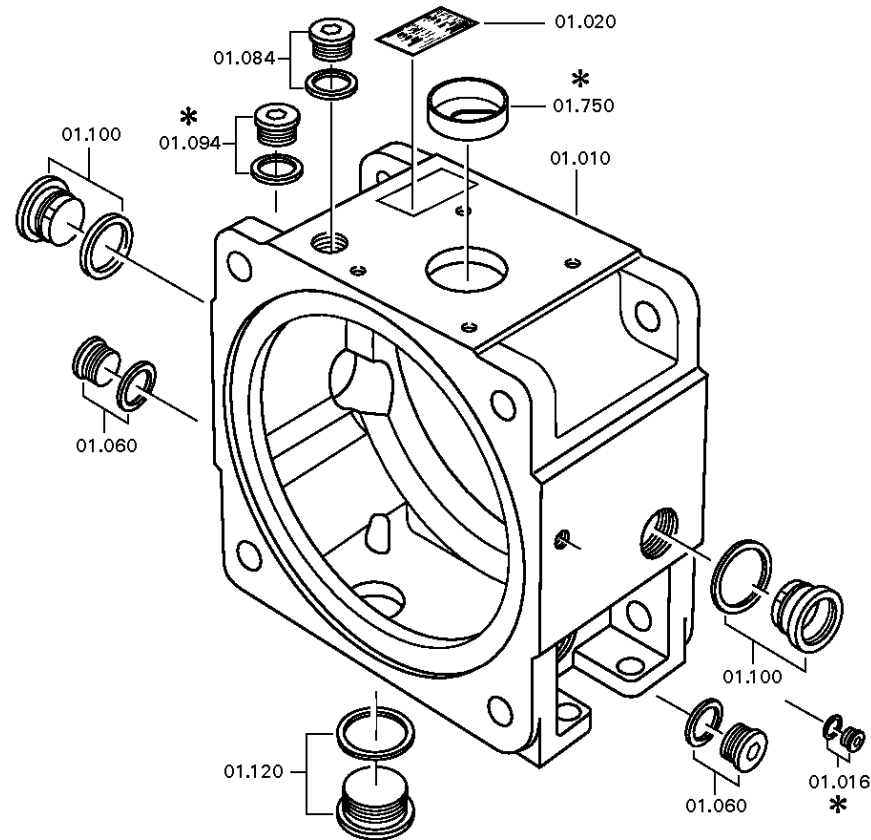
Material number: 4161.027.306

Picture: 012.01.20-1

Material-assembly-group-no: 4161.101.416



2 K 300 GA /
HOUSING



2 K 250

Picture

Page 1 from 1

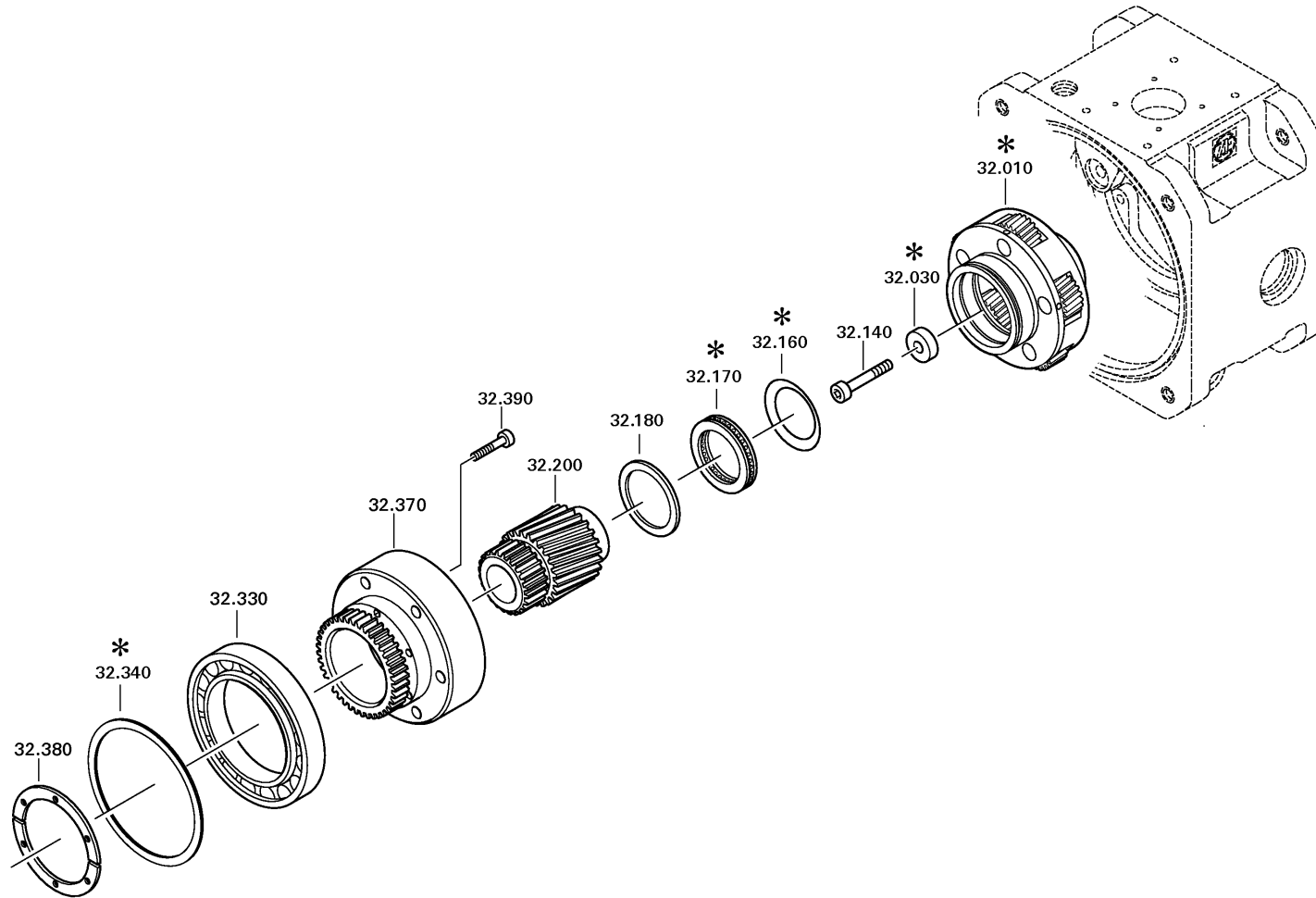
Material number: 4161.027.306

Picture: 012.02.22-1

Material-assembly-group-no: 4161.132.050



2 K 300 GA /
PLANETARY DRIVE



Picture

Page 1 from 1

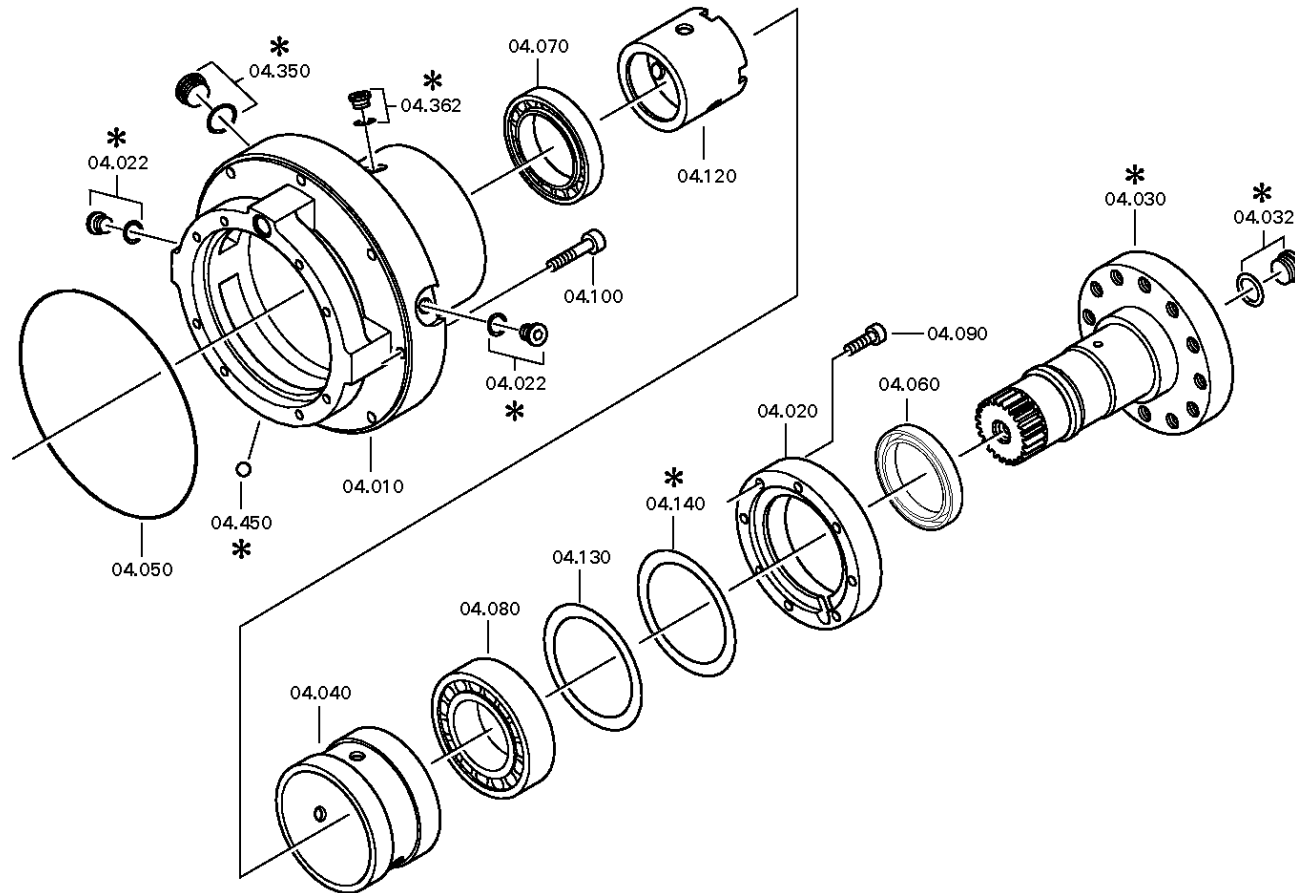
Material number: 4161.027.306

Picture: 012.04.55-1

Material-assembly-group-no: 4161.104.512



2 K 300 GA /
OUTPUT



Picture

Page 1 from 1

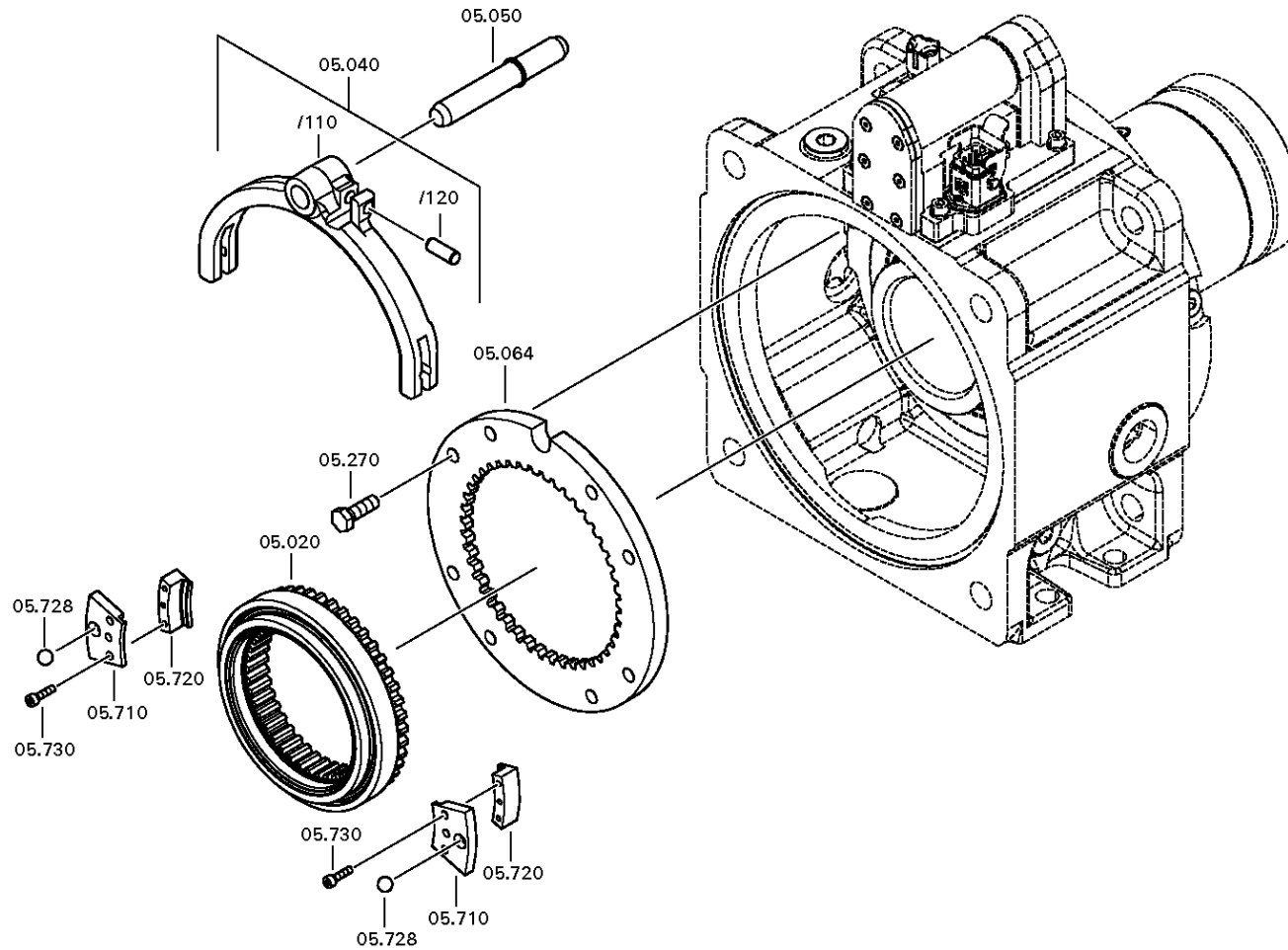
Material number: 4161.027.306

Picture: 012.05.12-1

Material-assembly-group-no: 4161.105.275



2 K 300 GA /
SHIFT SYSTEM



Picture

Page 1 from 2

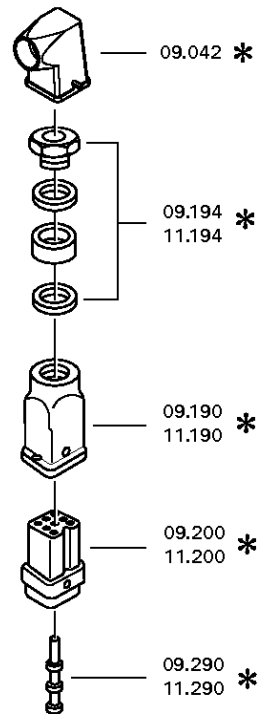
Material number: 4161.027.306

Picture: 012.09.10-1

PLUG



2 K 300 GA /
PLUG



Picture

Page 2 from 2

Material number: 4161.027.306

Picture: 012.09.07-1

PLUG



2 K 300 GA /
PLUG

