



# Spare Parts Catalog

6 AP 1200 B

Material number: 4181.020.255

Current date: 15.02.2023

ZF Friedrichshafen AG  
Hauptverwaltung  
80038 Friedrichshafen  
Deutschland

Telefon: +49 7541 77-0

Telefax: +49 7541 77-908000

[www.zf.com](http://www.zf.com)

zuständiges Werk:  
Friedrichshafen

# Notes relating to the spare parts catalog

## Setup of the spare parts catalog

- Cover sheet
- Technical Cover (only in SDM print)
- Overview of figures
- Figure
- Associated parts list
- Next figure
- Associated parts list
- ...

## Figure and parts list



## Overview of figures

Bildtafel Figure	Sachnummer Product number	Benennung (Description)	Technische Info Technical info	Description (Benennung)	Menge Quantity	Einheit Unit
068.08.17	1316.170.001	AUSLEGER	WL	SHIFT TURRET	1	Stk
068.08.06	1316.170.031	DECKEL	WL*H-H *VM	COVER	1	Stk
068.08.14	1316.170.808	DECKEL	WL*AUSL+GEH*H-H*HF160N	COVER	1	Stk
08	1316.170.441	ANSCHLUSSTEILE	WL*NG-VORB*RG-SCHL*168N *BAJONETT	CONNECTING PARTS	1	Stk

The "gap" indicates that there is no separate graphics panel (poster) for this assembly  
The parts of this assembly are shown with the same mid-section number on the figure

### 1 Positions and subpositions

Pos.	Sachnummer Product number	Benennung (Description)	Technische Info Technical info	Description (Benennung)	Menge Quantity	Einheit Unit
0370	1315.201.054	RUECKLAUFBOLZEN	KPL.16S151*SG*L= 79	REV.IDLER SHAFT	1	Stk
/0120	0631.329.293	SPANNSTIFT		SLOT. PIN	1	Stk

Positions marked with "/" are the individual items of a completion  
For example: Position 0370 contains a centering pin with the position /0120

### 2 Combinations with standardized parts

Pos.	Sachnummer Product number	Benennung (Description)	Technische Info Technical info	Description (Benennung)	Menge Quantity	Einheit Unit
0630		VERSCHL.SCHR.		SCREW PLUG	1	Stk
	0636.302.067	VERSCHL.SCHR.		SCREW PLUG	1	Stk
	0634.801.249	DICHTRING	A 26 X 31	SEALING RING	1	Stk

The parts list shows the components included in the combination of standardized parts

### 3 Depiction of position/item number on the figure and in the parts list

01.620 - on the figure      01 relates to the assembly in which the position is included. Due to program-related reasons, it is shown on the figure.

0620 - in the parts list

Pos.	Sachnummer Product number	Benennung (Description)	Technische Info Technical info	Description (Benennung)	Menge Quantity	Einheit Unit
0620	0732.040.736	DRUCKFEDER		COMPRESSION SPRING	1	Stk

### 4 \*-Positions

Positions marked with an \* are optional i.e. inclusion in the parts list is not mandatory.  
The following note is shown on the figure

je nach Stücklistenausführung  
depending on spec. number  
\*  
suivant la nomenclature  
secondo la distinta base

### 5 Parts, dotted display

Parts with dotted display on the figure are only used for orientation of other parts

# Technical Cover

Page 1 from 2

Material number: 4181.020.255



6 AP 1200 B /

Pos.	Information	Amendment number
001	Use case -----	
002	Customer Liaz - Likinski Avtobusnyi	
003	City Likino-Dulewo	
004	DUNS	
005	Product description -----	
006	NUMBER OF TYPE PLATES 1	
008	POSITION 2.TYPE PLATE 12B	
010	RATIO, BOTTOM GEAR 3.36	
011	RATIO, TOP GEAR .62	
012	RATIO, 1ST GEAR 3.36	
013	RATIO, 2ND GEAR 1.91	
014	RATIO, 3RD GEAR 1.42	
015	RATIO, 4TH GEAR 1	
016	RATIO, 5TH GEAR .72	
017	RATIO, 6TH GEAR .62	
018	RATIO, 1ST GEAR REVERSE 4.24	
019	DESIGN, OUTPUT COAXIAL	
020	OUTSIDE DIA., OUTPUT FLANGE 150 mm	
022	NUMBER OF BOLTS, OUTPUT FLANGE 4	
025	DIA,THREAD,OUTPUT FLANGE BOLT M12	
027	THREAD PITCH OUTPUT FLANGE SCREW 1.5 mm	
030	LENGTH THREAD OUTPUT FLANGE SCREWS 45 mm	
032	BRAKE TORQUE MAX 1600 Nm	
033	OUTP.SPEED AT MAX BRAKE TORQUE 1900 1/min	
034	ATTACHM.POS.HEAT EXCHANGER AT REAR	
035	NO PULSES PULSE SENSOR TM H70 6 IMP/U	
036	DESIGN CONVERTER W370-6-TP4 D	
038	CONVERTER CHARACTERISTIC $\mu$ 2.32	
039	ADJUST DIM. ENG CONNECT. 81.25 mm	
040	DIAMETER ROOT CONVERTER DIAPHRAGM 380 mm	
041	OIL FILL VARIANT EX WORKS	
042	OIL CAPACITY, GEARBOX 38 dm <sup>3</sup>	
043	OIL GRADE PERMISSIBLE ACC. TO TE-ML20	



Pos.	Information	Amendment number
044	CODING OUTER CONSERVATION KA1	
045	SCOPE OUTER CONSERVATION T	
046	CODING INNER CONSERVATION KI1	
047	CONSERVATION SPECIFICATION ZFN 916	
048	ACTIVATED PROGRAMMING DATA FIELD 1	
049	POS.DIPSTICK PARTS LENGTHWISE +4 DEGREE TO +7 DEGREE	
050	POS.DIPSTICK PARTS CROSSWISE 0 DEGREE TO +2 DEGREE	
051	INDEX OF CALIBRATE 1600.000 mA	
052	HDV VIBRATION OPTIMISED 02 NO	
053	CHECK VALVE START/STOP WITHOUT	
054	CO2-FAMILY XXX	
055	CO2-CERTIFICATE XXX	
056	E1 CERTIFICATE s.EST	



# Assembly group overview

Page 1 from 5



Material number: 4181.020.255

6 AP 1200 B /

Picture	Pos.	Material number	Name	Quantity	Amend. no.	Techn. Info.
130.C2.002-1	910	6070.003.010	EST ECOLIFE	1		
130.C3.003-1	920	6029.039.124	CABLE ECOLIFE	1		
130.F5.501-1	990	6070.203.680	SOFTWARE	1		
130.001.002-1	110	4181.100.060	BASIC GEARBOX	1		
130.001.080-1	120	4181.180.014	TYPE PLATE	1		
130.001.082-1	198	0501.314.773	TAG	1		
130.002.001-1	110	4181.102.057	TRANSMISSION HOUSING	0		
130.003.001-1	310	4181.103.009	BRAKE F	0		
130.003.080-1	350	4181.103.801	BRAKE F	0		
130.005.001-1	160	4181.212.051	PISTON	1		
130.007.051-1	310	4181.107.804	COVER	0		
130.007.003-1	500	4181.107.051	ACCUMULATOR	0		
130.007.080-1	510	4181.107.850	ACCUMULATOR	0		
130.008.001-1	600	4181.108.007	OIL TUBE	0		
130.008.080-1	610	4181.108.803	OIL TUBE	0		
130.009.002-1	650	4181.108.051	OIL TUBE	0		
130.009.081-1	660	4181.108.854	OIL TUBE	0		
130.010.001-1	150	4181.110.052	OUTPUT	1		

# Assembly group overview

Page 2 from 5



Material number: 4181.020.255

6 AP 1200 B /

Picture	Pos.	Material number	Name	Quantity	Amend. no.	Techn. Info.
130.010.052-1	156	4181.110.850	SPEED SENSOR	1		
130.010.080-1	170	4181.110.851	OUTPUT COVER	1		
130.011.001-1	150	4181.102.850	CLOSING COMPONENTS	0		
130.11.02-1	160	4181.102.805	CLOSING COMPONENTS	0		
130.17.03-1	200	4181.117.020	PLANETARY GEAR	0		
130.019.001-1	630	4181.108.054	MANIFOLD	0		
130.019.080-1	640	4181.108.850	MANIFOLD	0		
130.22.02-1	300	4181.122.015	PLANETARY DRIVE	0		
130.23.01-1	200	4181.123.015	PLANETARY DRIVE	0		
130.24.02-1	100	4181.124.007	INPUT SHAFT	0		
130.25.03-1	100	4181.125.021	PLANET CARRIER	0		
130.26.01-1	200	4181.126.052	BRAKE	0		
130.27.01-1	100	4181.125.022	PLANET CARRIER	0		
130.28.01-1	100	4181.127.052	DISC CARRIER	0		
130.29.80-1	152	4181.129.801	CHANGE OVER VALVE	0		
130.029.001-1	300	4181.129.052	PISTON SUPPORT	0		
130.30.01-1	400	4181.129.802	PISTON SUPPORT	0		
130.40.80-1	550	4181.140.801	OIL SUPPLY	0		
130.41.01-1	100	4181.141.053	OIL SUPPLY	0		
130.42.01-1	100	4181.142.050	OIL FEED FLANGE	0		
130.043.001-1	150	4181.143.010	STATOR SHAFT	0		
130.44.82-1	210	4181.144.802	STATOR RING	0		
130.44.81-1	810	4181.144.803	SEALING WASHER	0		
130.46.01-1	400	4181.146.005	VALVE HOUSING	0		
130.46.80-1	410	4181.146.802	VALVE HOUSING	0		

# Assembly group overview

Page 3 from 5



6 AP 1200 B /

Material number: 4181.020.255

Picture	Pos.	Material number	Name	Quantity	Amend. no.	Techn. Info.
130.47.01-1	500	4181.147.007	PRIMARY PUMP	0		
130.47.50-1	510	4181.147.802	PUMP	0		
130.49.80-1	610	4181.148.801	SUPPORTING PLATE	0		
130.50.01-1	200	4181.150.052	CLUTCH UNIT A+B	0		
130.51.01-1	100	4181.151.052	COUPLING B	0		
130.052.001-1	100	4181.152.007	HUB	0		
130.52.80-1	320	4181.152.804	OIL DAM	0		
130.54.11-1	200	4181.154.030	COUPLING A	0		
130.57.01-1	410	4181.157.002	INPUT SHAFT	0		
130.58.01-1	440	4181.158.006	QUILL SHAFT	0		
130.60.02-1	710	4181.160.050	COVER PLATE	0		
130.60.80-1	750	4181.160.801	COVER PLATE	0		
130.068.002-1	300	4181.184.050	OIL TUBE	0		
130.68.82-1	310	4181.184.851	HEAT EXCHANGER	0		
130.68.81-1	360	4181.184.801	HEAT EXCHANGER	0		
130.070.001-1	810	4181.170.016	SHIFT CONTROL	0		
130.70.81-1	850	4181.170.804	SHIFT CONTROL	0		
130.71.81-1	860	4181.170.850	WIRING HARNESS	0		
130.73.80-1	250	4181.170.803	VALVE BLOCK	0		
130.74.02-1	800	4181.174.004	POSITION SENSOR	0		
130.075.001-1	910	4181.175.003	SUCTION FILTER	0		
130.75.80-1	920	4181.175.801	SUCTION FILTER	0		
130.076.081-1	970	4181.176.850	OIL PAN	0		
130.077.002-1	100	4181.177.050	OIL PAN	0		
130.078.003-1	200	4181.378.008	FILTER COVER	0		

# Assembly group overview

Page 4 from 5



6 AP 1200 B /

Material number: 4181.020.255

Picture	Pos.	Material number	Name	Quantity	Amend. no.	Techn. Info.
130.078.080-1	210	4181.178.803	FILTER COVER	0		
130.079.001-1	950	4181.179.003	PRESSURE FILTER	0		
130.081.018-1	130	4181.181.103	DIPSTICK PARTS	1		
	136	0636.100.445	HEXAGON SCREW	1		
130.083.001-1	210	4181.291.062	OUTPUT FLANGE	1		
	250	4132.304.015	LOCKING PLATE	0		
130.083.050-1	250	4181.183.808	OUTPUT FLANGE	1		
130.083.080-1	260	4181.183.812	PULSE SENSOR	1		
130.84.05-1	410	4181.284.054	BRACKET	1		
130.084.084-1	414	4181.184.850	BRACKET	1		
130.85.04-1	460	4181.285.062	TUBE	1		
130.85.81-1	464	4181.184.863	TUBE	1		
130.86.02-1	440	0501.221.922	HEAT EXCHANGER	1		
130.86.81-1	444	4181.185.812	HEAT EXCHANGER	1		
130.87.80-1	390	4181.184.822	COVER	0		
130.088.081-1	914	4181.188.801	CONTROL UNIT	1		
130.89.05-1	450	4181.285.061	TUBE	1		
130.85.81-1	454	4181.184.863	TUBE	1		
130.096.004-1	310	0501.008.490	CONVERTER	1		
130.097.001-1	320	4181.182.800	CONVERTER	1		
130.098.001-1	350	0768.409.579	SCREW PLUG	1		
130.R0.05-1	KIT	4181.198.007	REPAIR KIT	0		

# Assembly group overview

Page 5 from 5



Material number: 4181.020.255

6 AP 1200 B /

Picture	Pos.	Material number	Name	Quantity	Amend. no.	Techn. Info.
130.R0.01-1	KIT	4181.298.002	PRESSURE FILTER	0		
130.R0.07-1	KIT	4181.298.004	REPAIR KIT	0		
130.R0.08-1	KIT	4181.298.005	REPAIR KIT	0		
130.R0.009-1	KIT	4181.298.006	REPAIR KIT	0		
130.R0.009-1	KIT	4181.298.006	REPAIR KIT	0		
130.R0.17-1	KIT	4181.298.009	SEALING RING KIT	0		
130.R0.03-1	KIT	4181.298.020	REPAIR KIT	0		
	KIT	4181.298.023	SEALING RING KIT	0		
	KIT	4181.298.023	SEALING RING KIT	0		
130.R0.11-1	KIT	4181.298.031	REPAIR KIT	0		
130.R0.11-1	KIT	4181.298.032	REPAIR KIT	0		
130.R0.13-1	KIT	4181.298.038	REPAIR KIT	0		
130.R0.14-1	KIT	4181.298.040	REPAIR KIT	0		
130.R0.15-1	KIT	4181.298.041	REPAIR KIT	0		
130.R0.16-1	KIT	4181.298.046	REPAIR KIT	0		
130.R0.028-1	KIT	4181.298.058	REPAIR KIT	0		
130.R0.037-1	KIT	4181.298.064	REPAIR KIT	0		

# Picture

Page 1 from 1

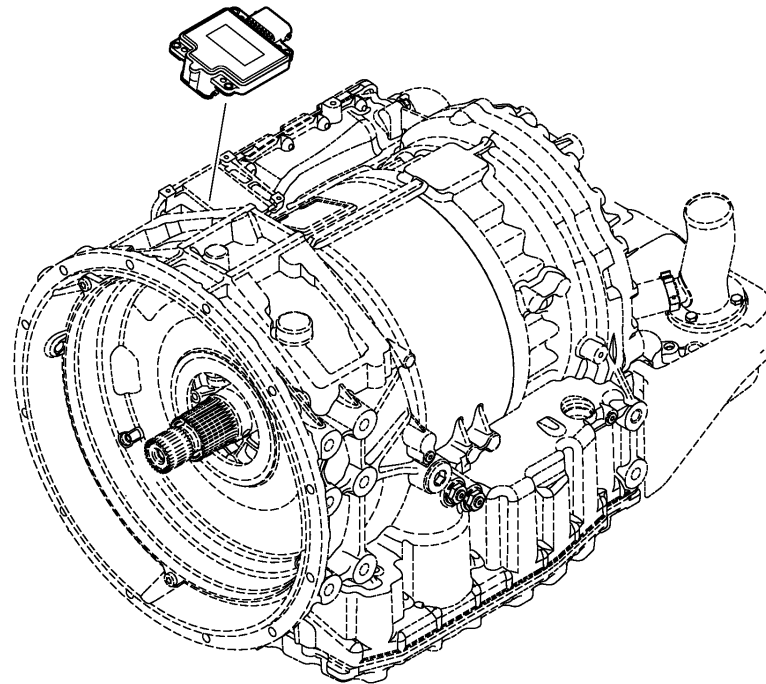
Material number: 4181.020.255

Picture: 130.C2.002-1

Material-assembly-group-no: 6070.003.010



6 AP 1200 B /  
EST ECOLIFE



# Picture

Page 1 from 1

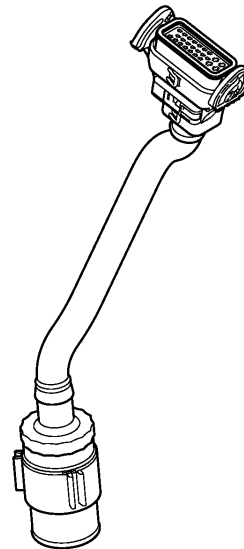
Material number: 4181.020.255

Picture: 130.C3.003-1

Material-assembly-group-no: 6029.039.124



6 AP 1200 B /  
CABLE ECOLIFE



# Picture

Page 1 from 4

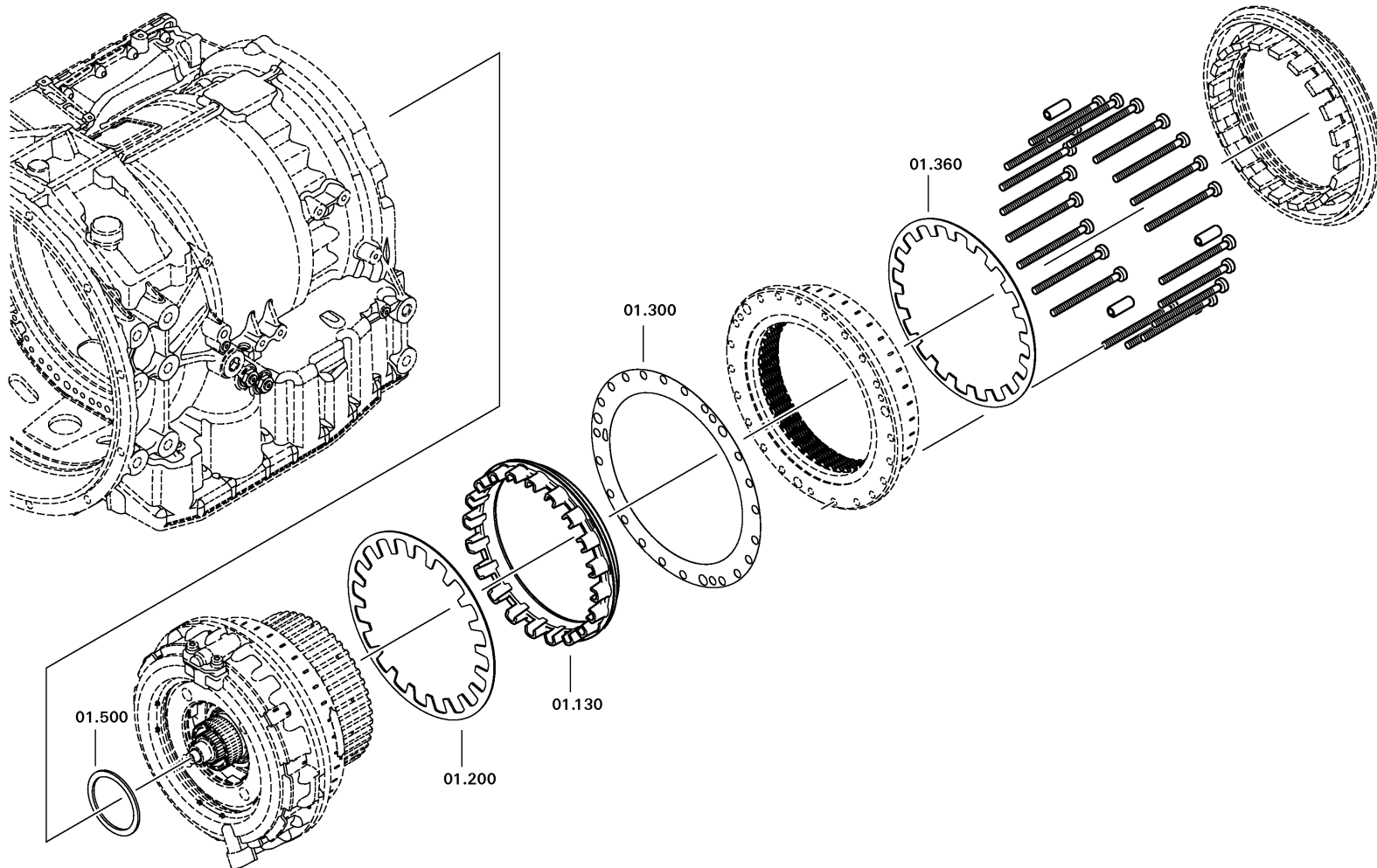
Material number: 4181.020.255

Picture: 130.001.002-1

BASIC GEARBOX



6 AP 1200 B /  
BASIC GEARBOX





# Picture

Page 2 from 4

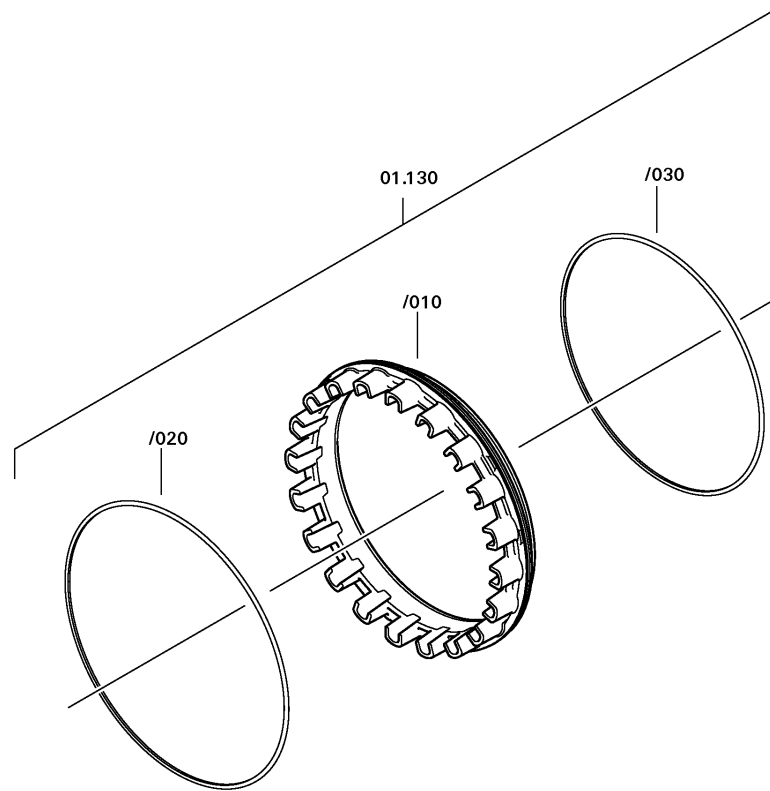
Material number: 4181.020.255

Picture: 130.001.002-2

BASIC GEARBOX



6 AP 1200 B /  
BASIC GEARBOX



# Picture

Page 3 from 4

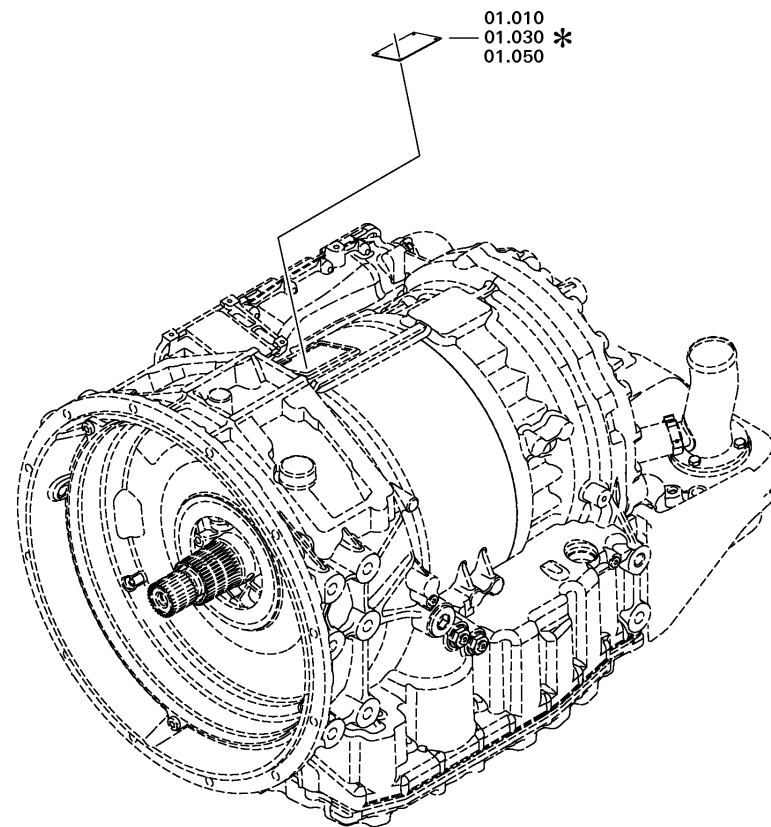
Material number: 4181.020.255

Picture: 130.001.080-1

BASIC GEARBOX



6 AP 1200 B /  
BASIC GEARBOX



# Picture

Page 4 from 4

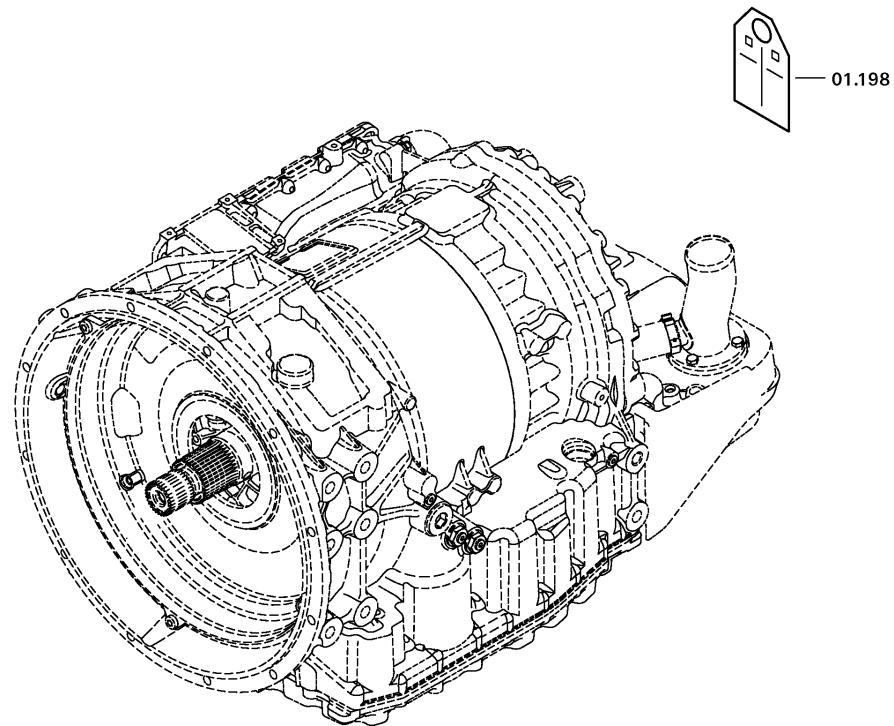
Material number: 4181.020.255

Picture: 130.001.082-1

BASIC GEARBOX



6 AP 1200 B /  
BASIC GEARBOX



# Picture

Page 1 from 1

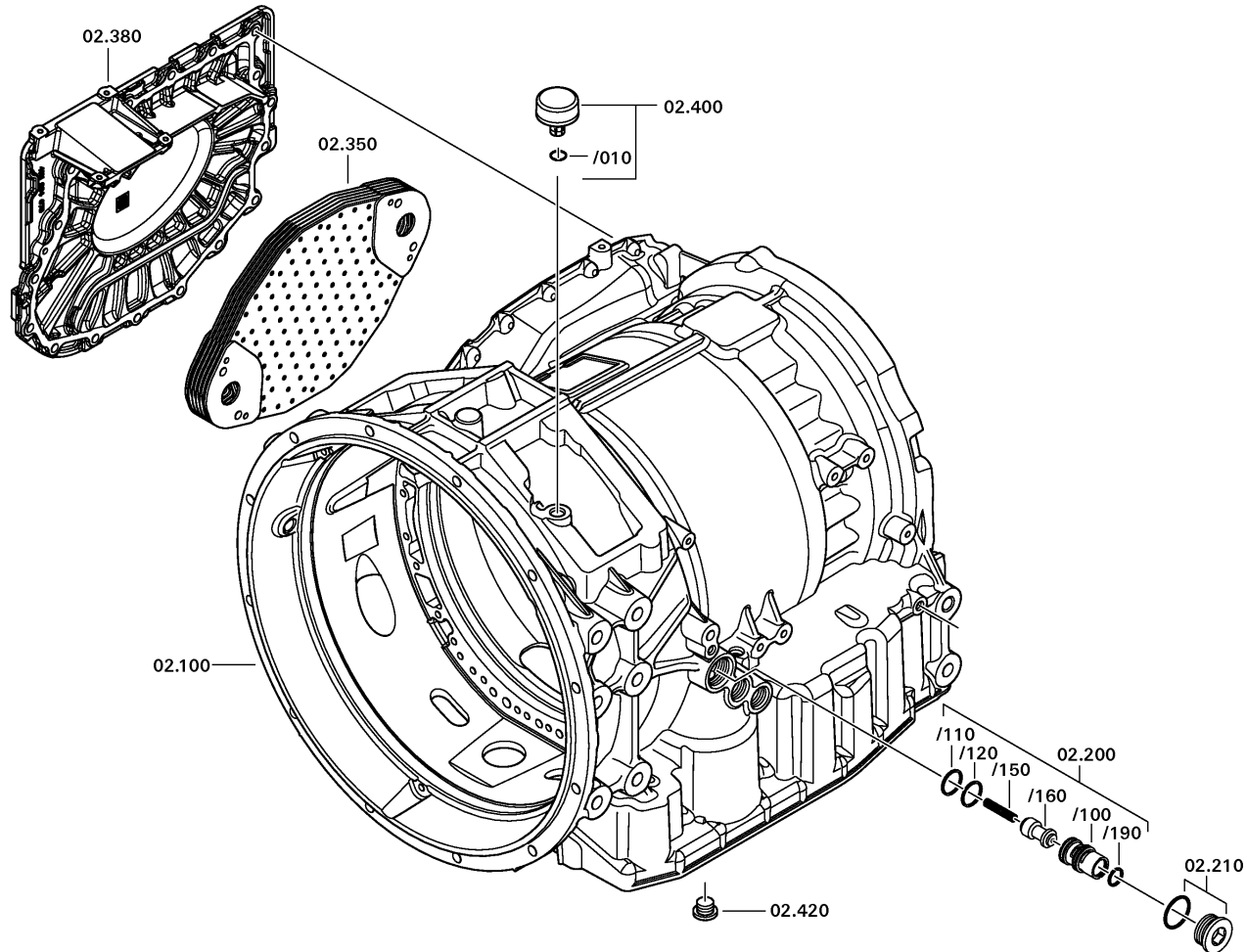
Material number: 4181.020.255

Picture: 130.002.001-1

Material-assembly-group-no: 4181.102.057



6 AP 1200 B /  
TRANSMISSION HOUSING



# Picture

Page 1 from 2

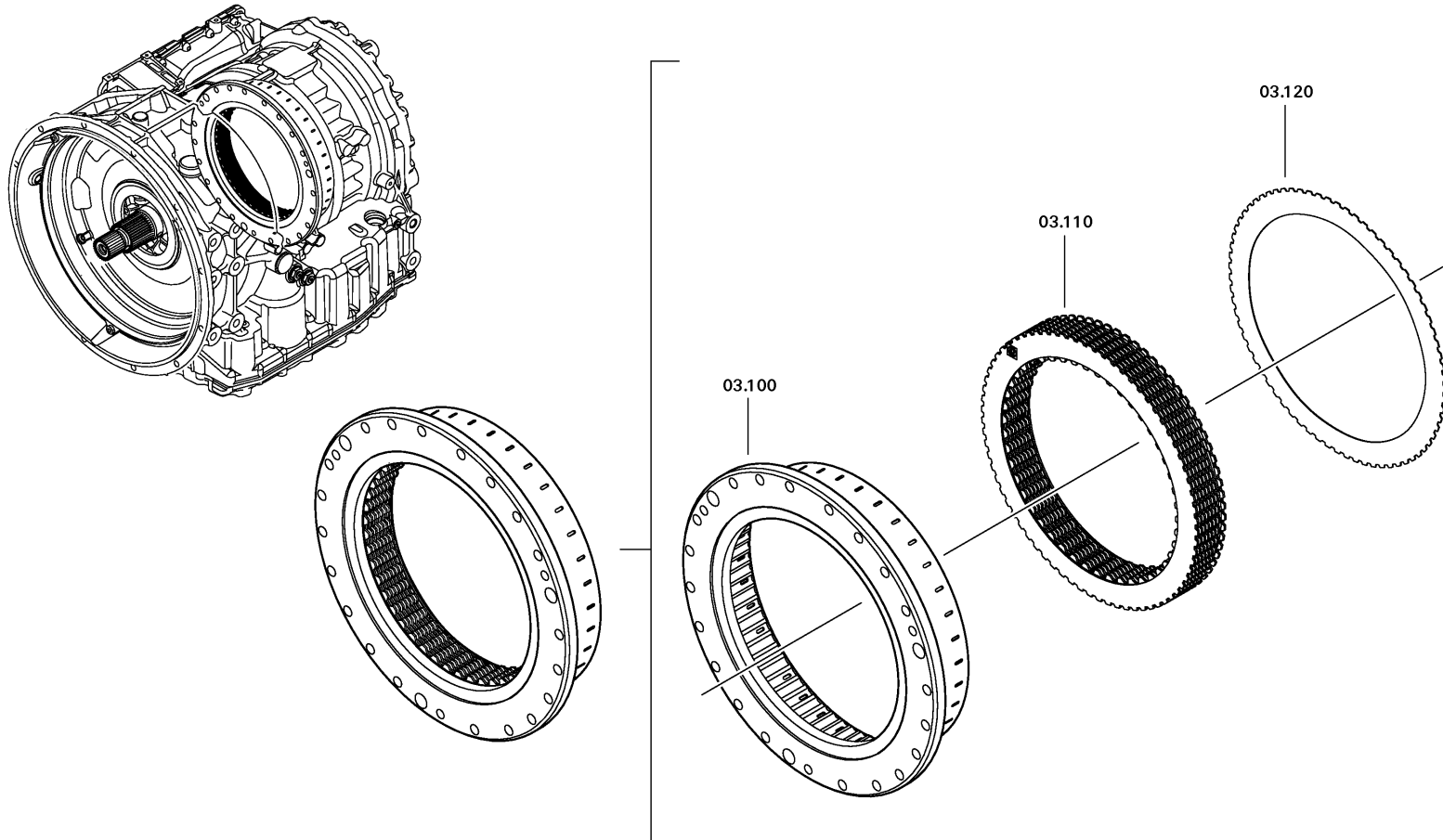
Material number: 4181.020.255

Picture: 130.003.001-1

Material-assembly-group-no: 4181.103.009



6 AP 1200 B /  
BRAKE F



# Picture

Page 2 from 2

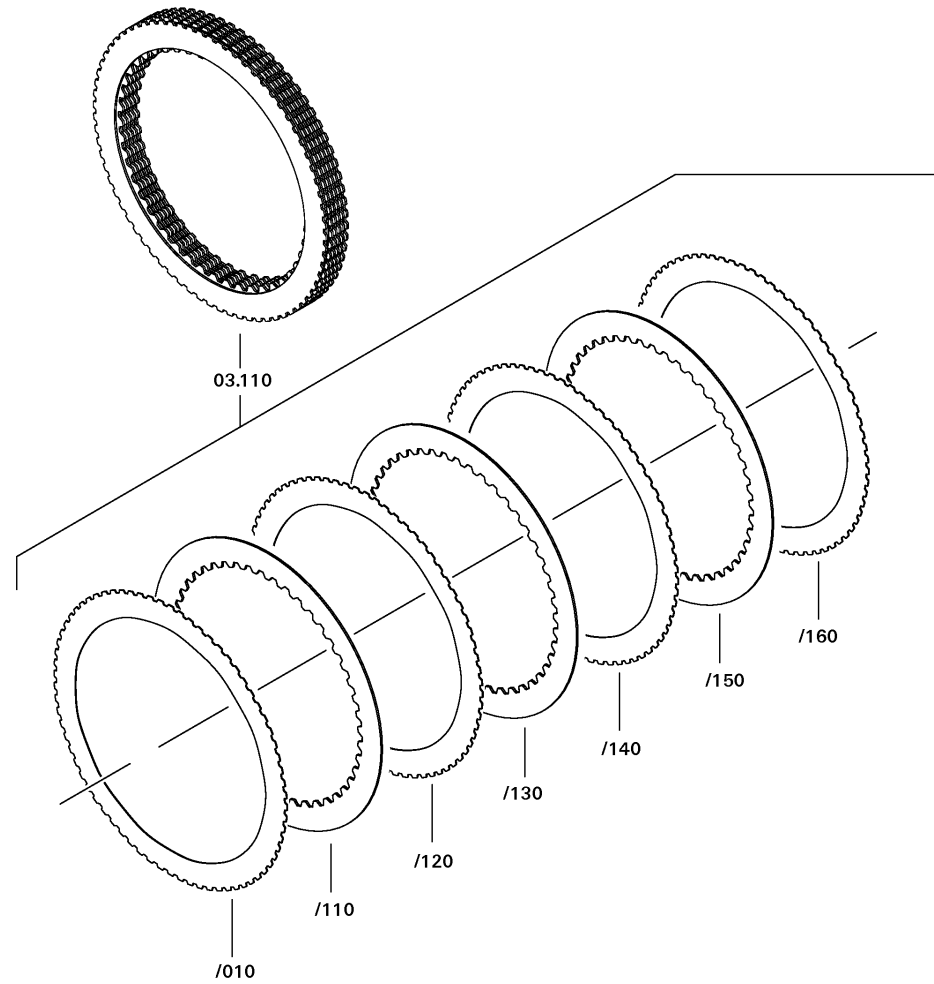
Material number: 4181.020.255

Picture: 130.003.001-2

Material-assembly-group-no: 4181.103.009



6 AP 1200 B /  
BRAKE F



# Picture

Page 1 from 1

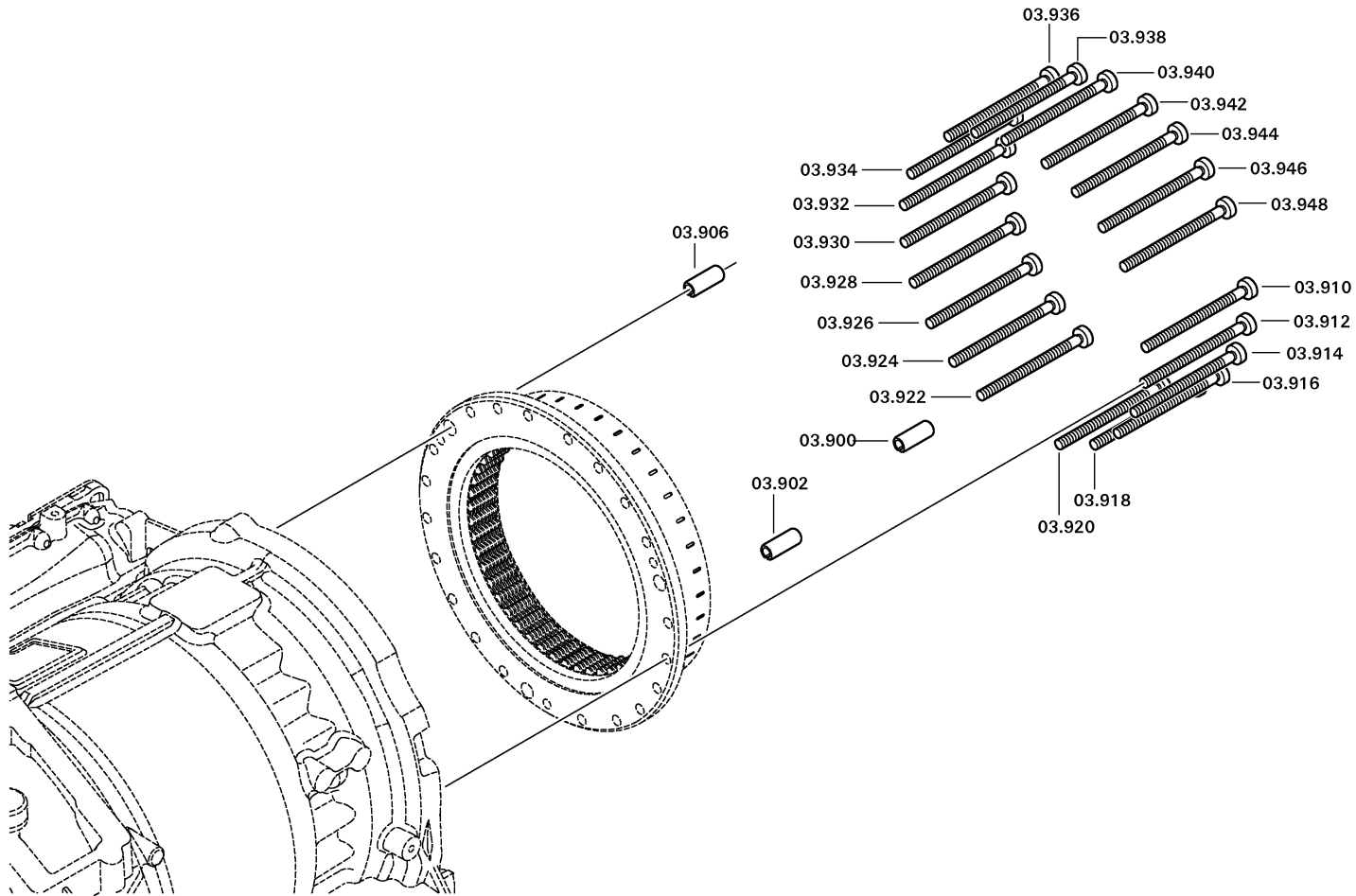
Material number: 4181.020.255

Picture: 130.003.080-1

Material-assembly-group-no: 4181.103.801



6 AP 1200 B /  
BRAKE F



# Picture

Page 1 from 1

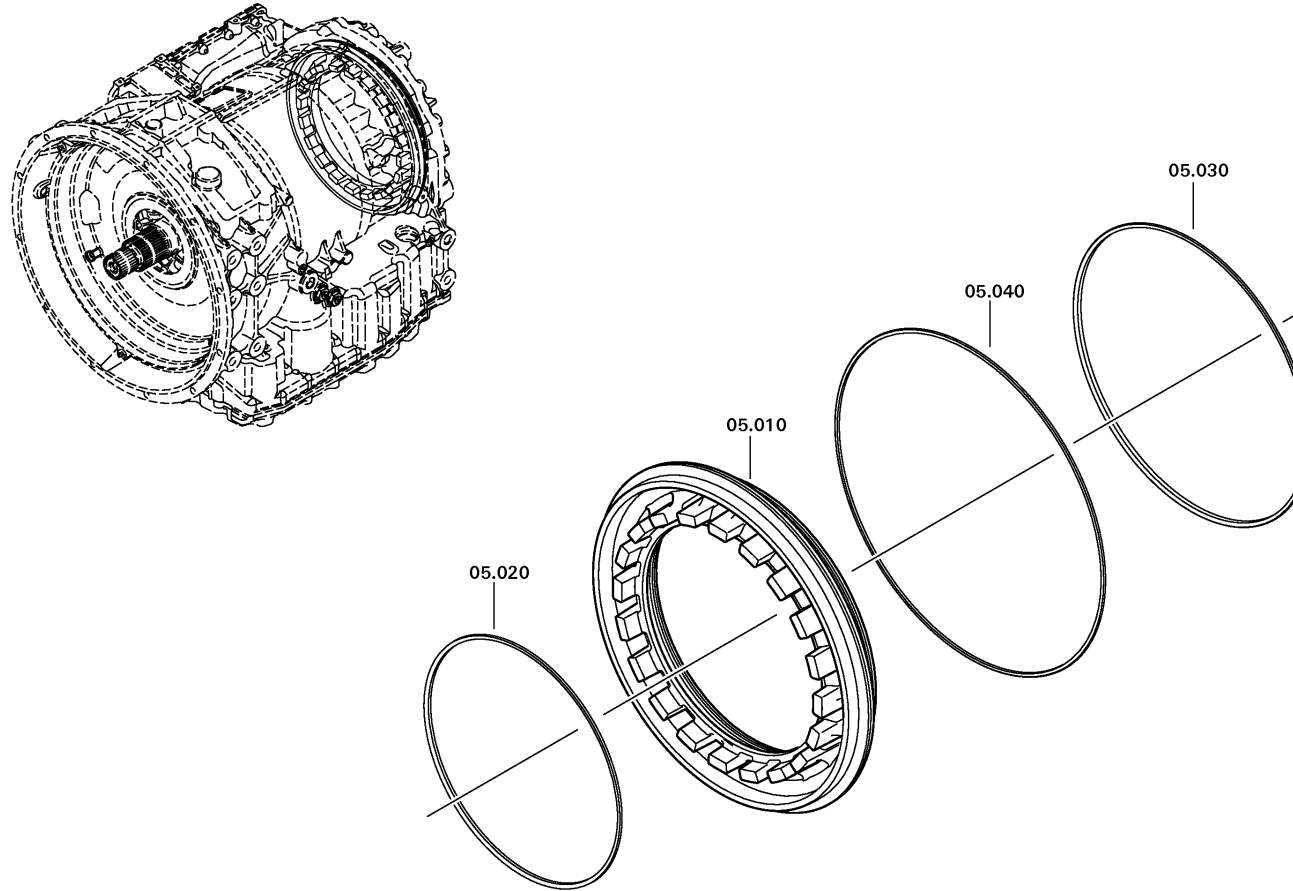
Material number: 4181.020.255

Picture: 130.005.001-1

Material-assembly-group-no: 4181.212.051



6 AP 1200 B /  
PISTON





# Picture

Page 1 from 1

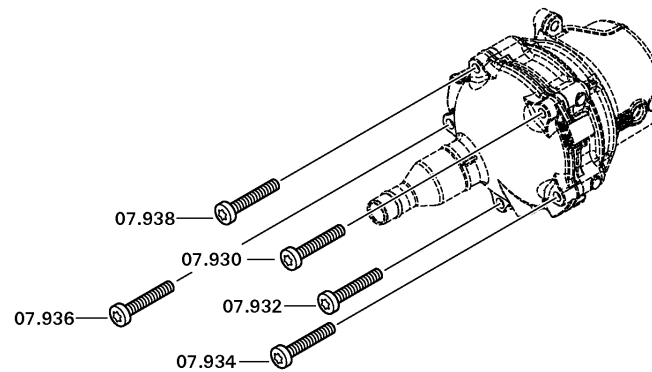
Material number: 4181.020.255

Picture: 130.007.051-1

Material-assembly-group-no: 4181.107.804



6 AP 1200 B /  
COVER



# Picture

Page 1 from 1

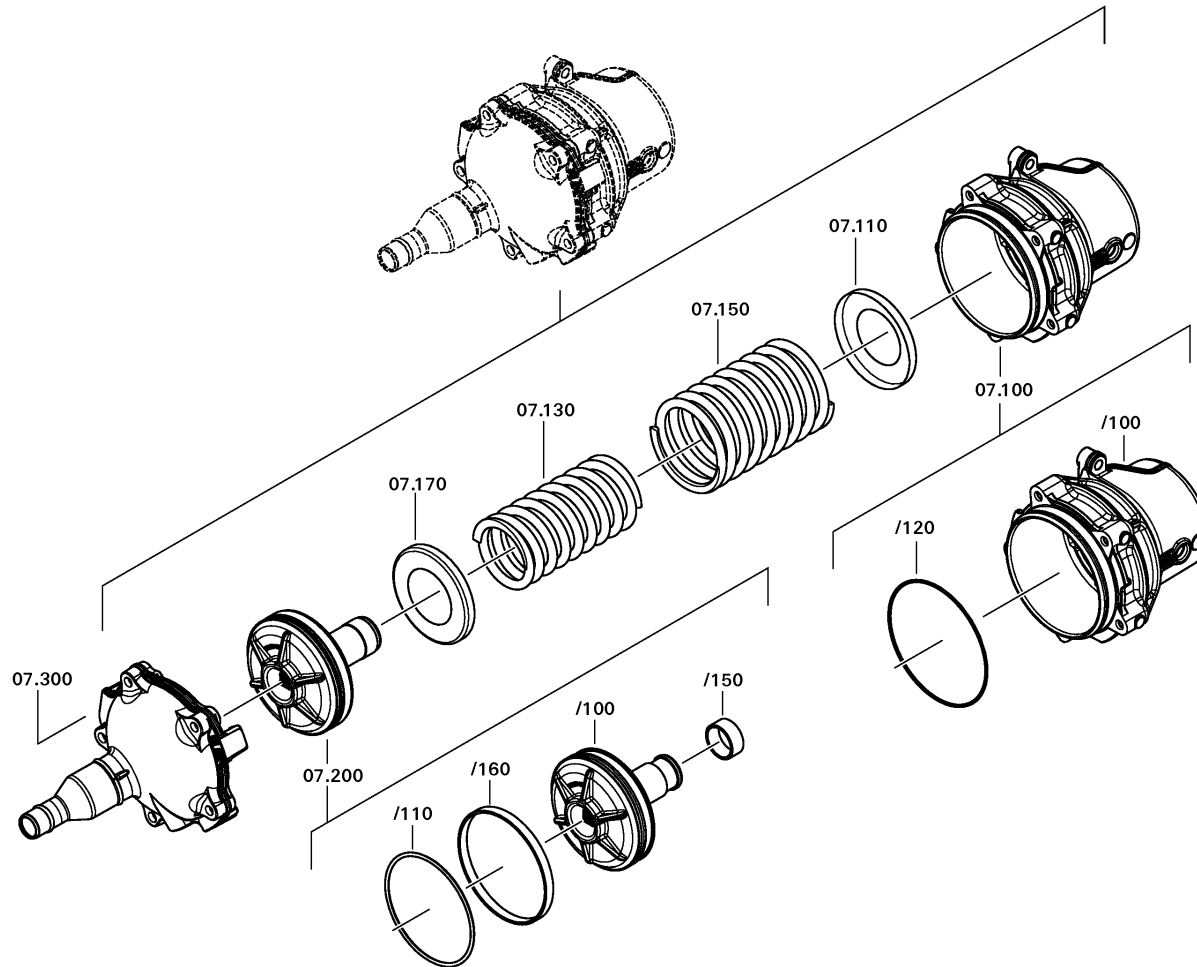
Material number: 4181.020.255

Picture: 130.007.003-1

Material-assembly-group-no: 4181.107.051



6 AP 1200 B /  
ACCUMULATOR



# Picture

Page 1 from 1

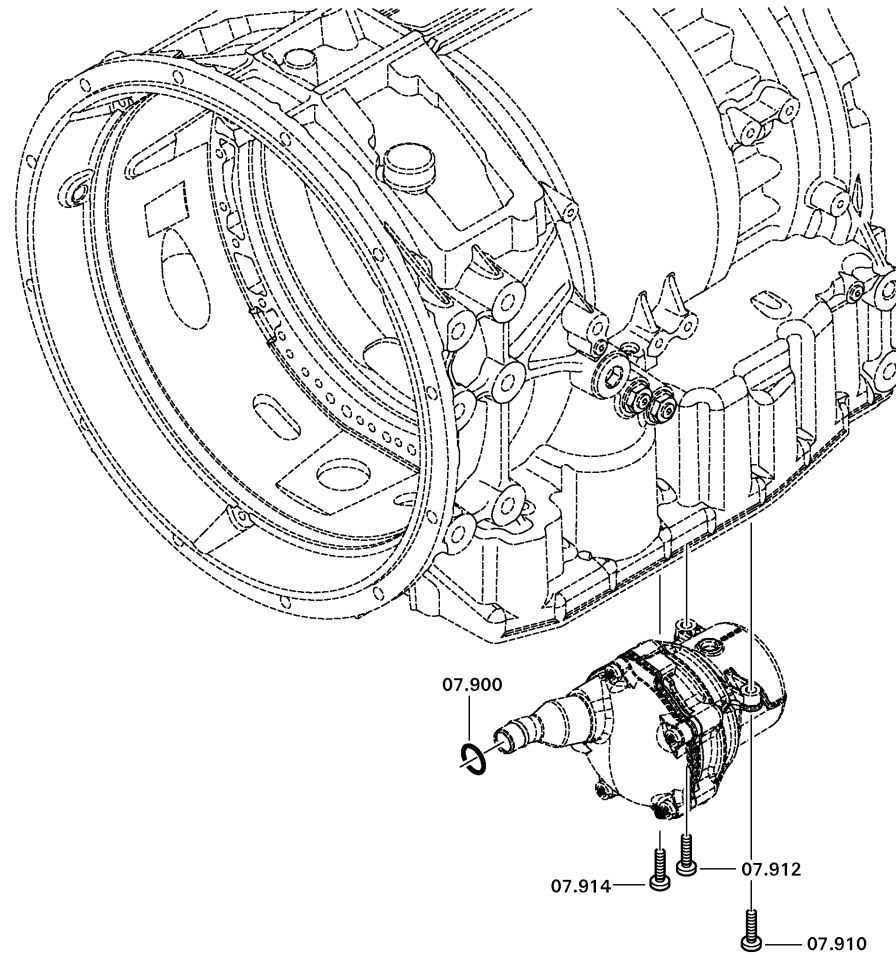
Material number: 4181.020.255

Picture: 130.007.080-1

Material-assembly-group-no: 4181.107.850



6 AP 1200 B /  
ACCUMULATOR



# Picture

Page 1 from 1

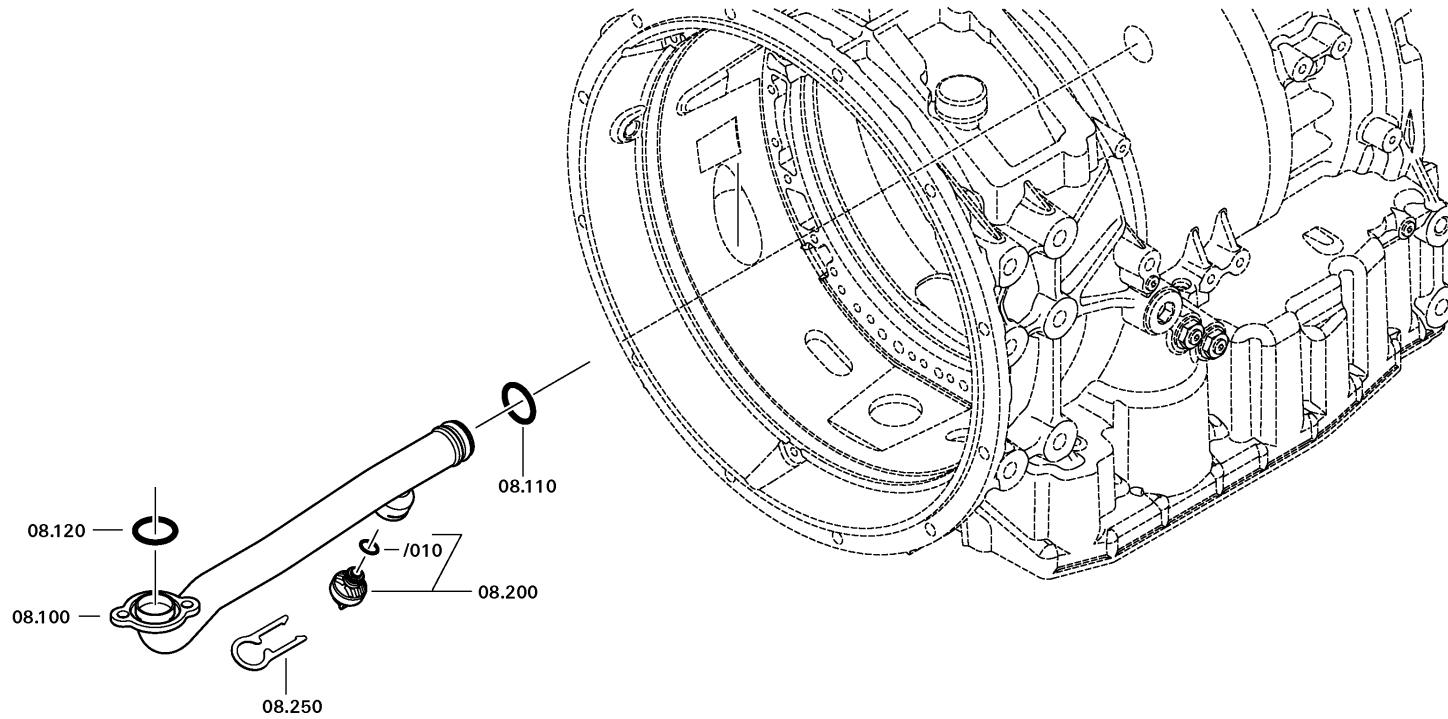
Material number: 4181.020.255

Picture: 130.008.001-1

Material-assembly-group-no: 4181.108.007



6 AP 1200 B /  
OIL TUBE



# Picture

Page 1 from 1

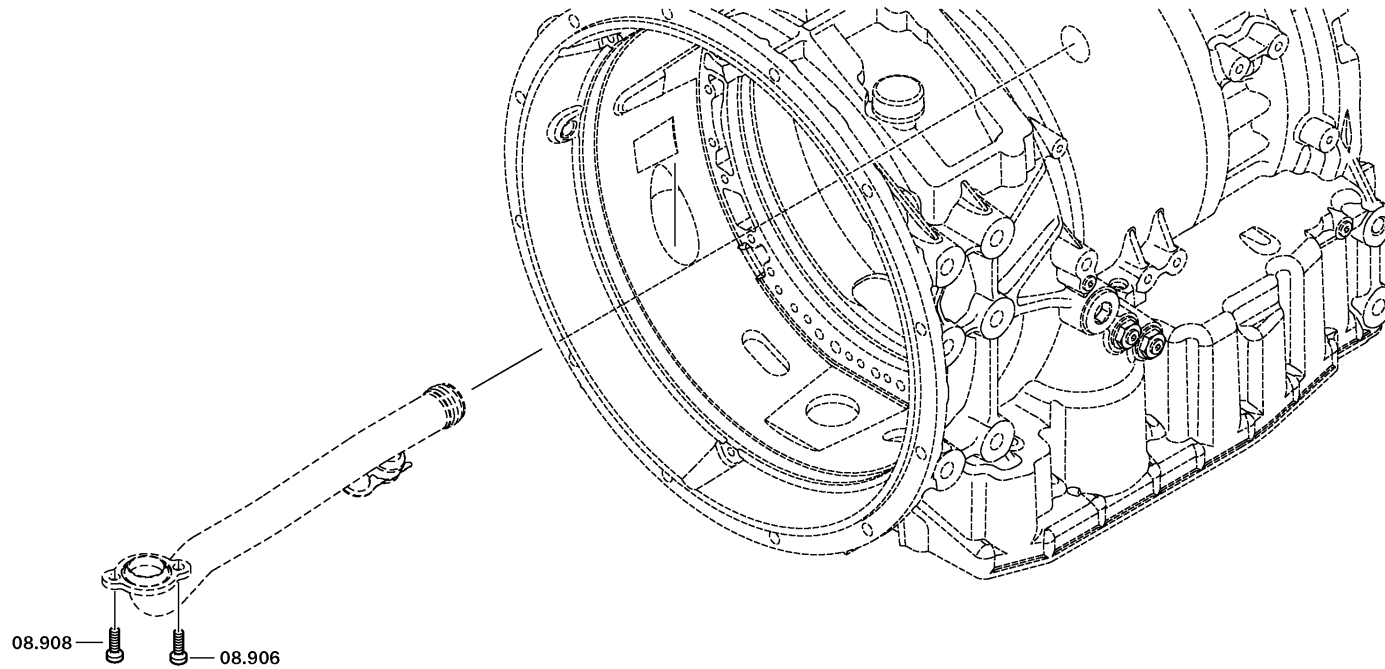
Material number: 4181.020.255

Picture: 130.008.080-1

Material-assembly-group-no: 4181.108.803



6 AP 1200 B /  
OIL TUBE



# Picture

Page 1 from 1

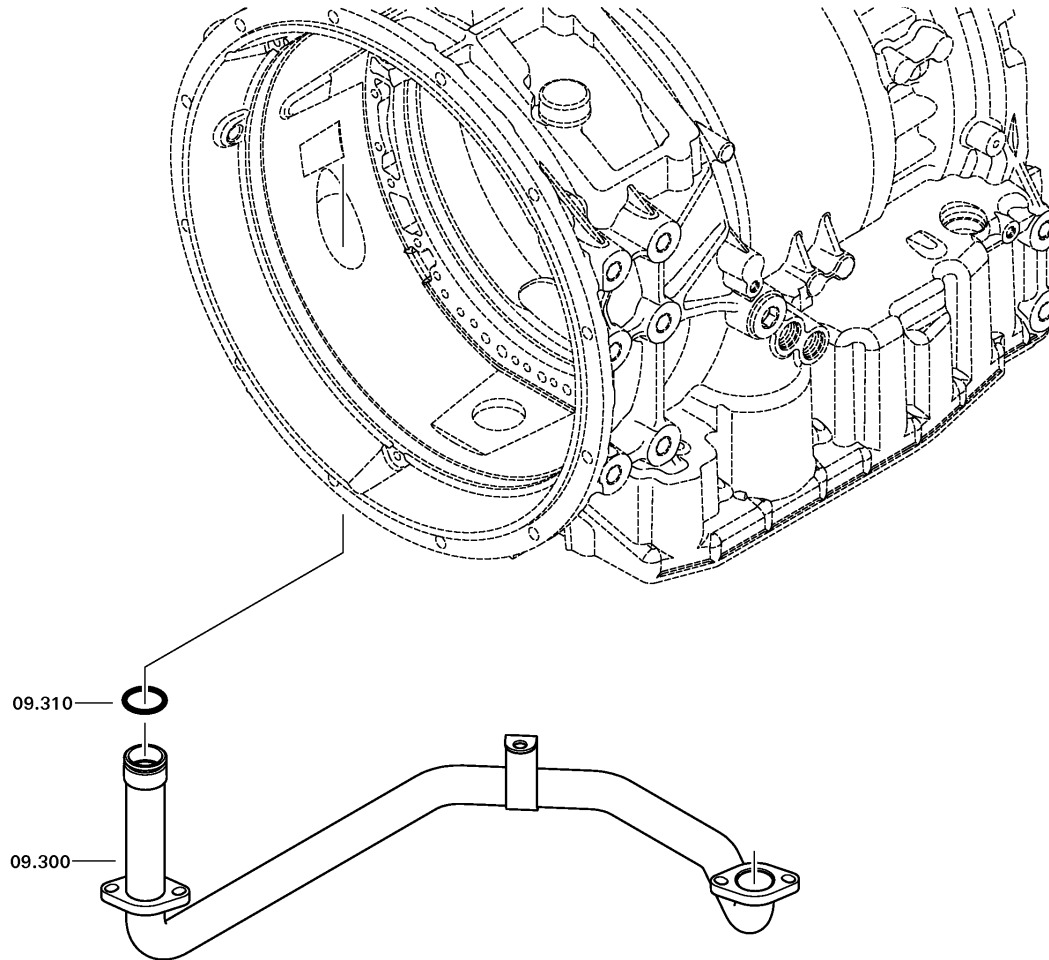
Material number: 4181.020.255

Picture: 130.009.002-1

Material-assembly-group-no: 4181.108.051



6 AP 1200 B /  
OIL TUBE



# Picture

Page 1 from 1

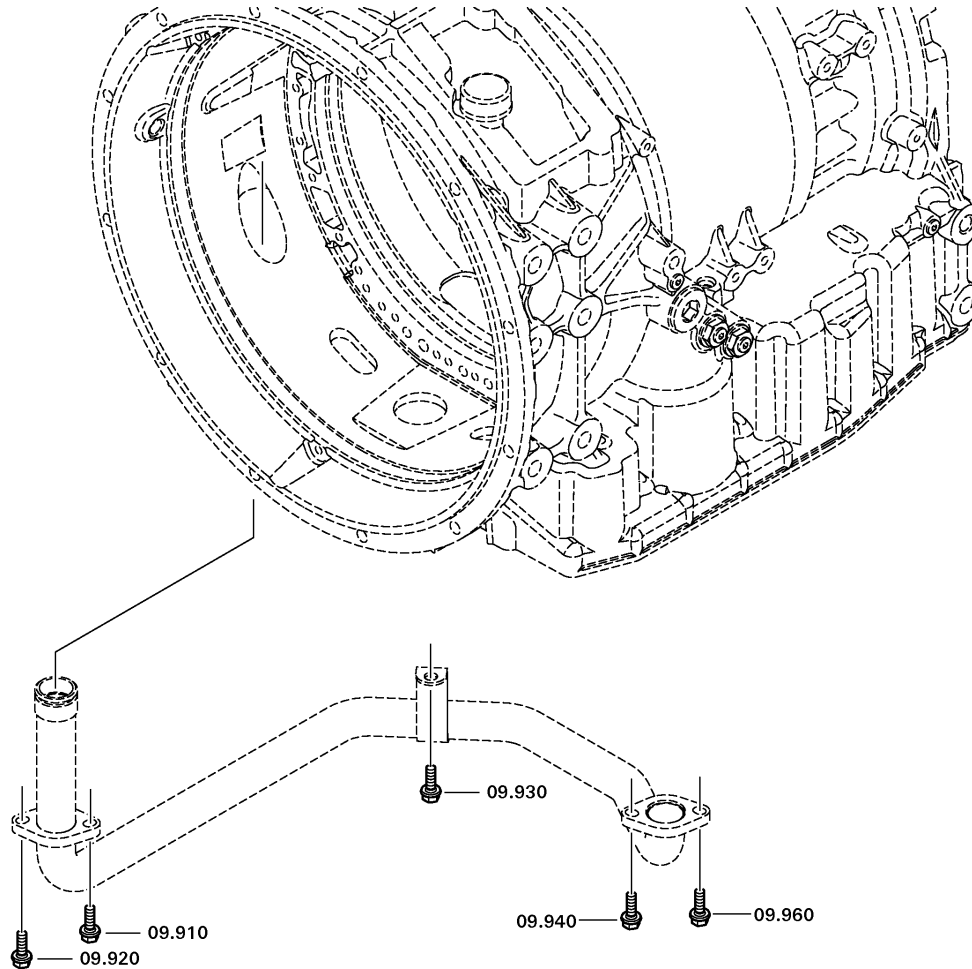
Material number: 4181.020.255

Picture: 130.009.081-1

Material-assembly-group-no: 4181.108.854



6 AP 1200 B /  
OIL TUBE



# Picture

Page 1 from 3

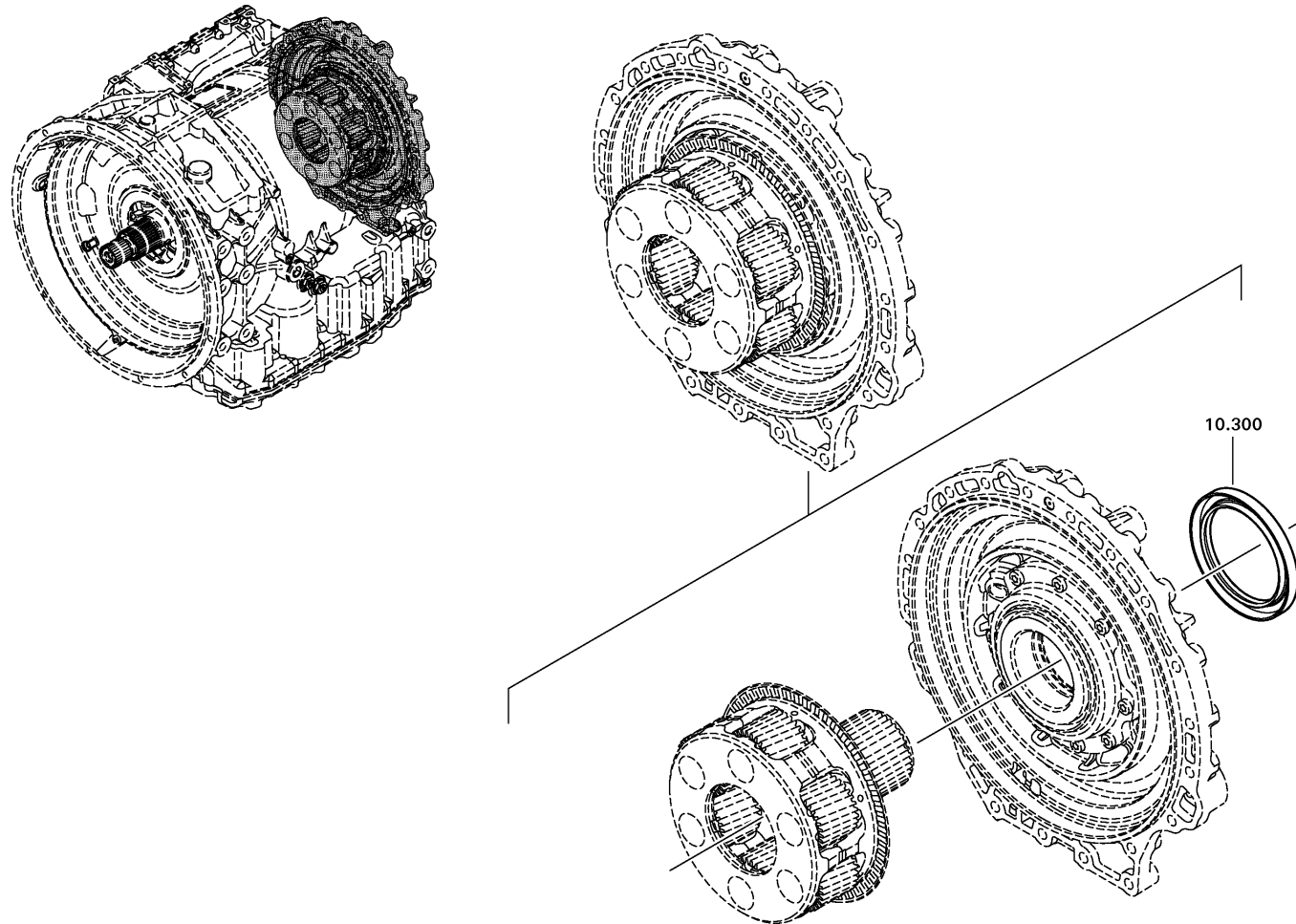
Material number: 4181.020.255

Picture: 130.010.001-1

OUTPUT



6 AP 1200 B /  
OUTPUT





# Picture

Page 2 from 3

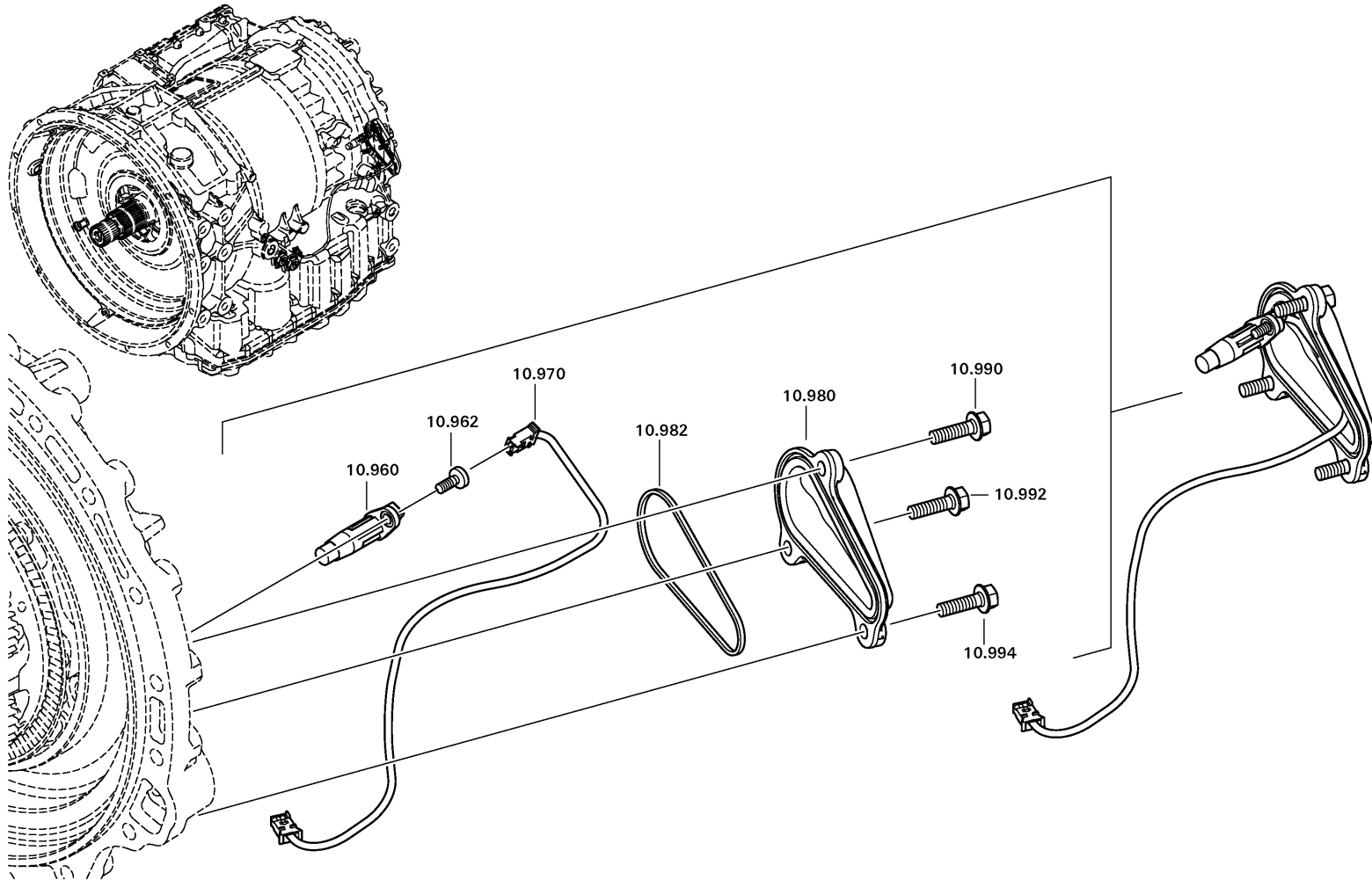
Material number: 4181.020.255

Picture: 130.010.052-1

OUTPUT



6 AP 1200 B /  
OUTPUT



# Picture

Page 3 from 3

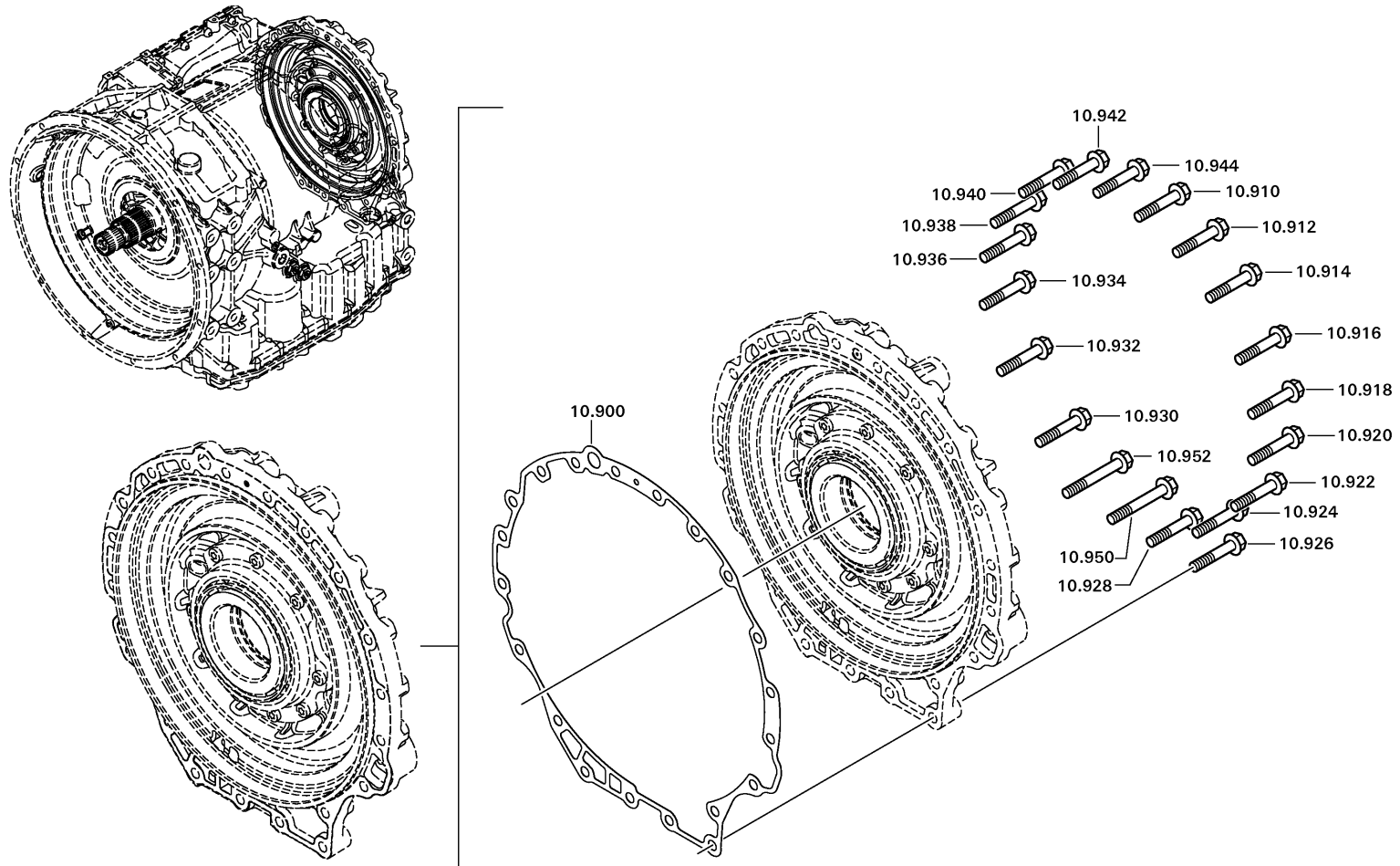
Material number: 4181.020.255

Picture: 130.010.080-1

OUTPUT



6 AP 1200 B /  
OUTPUT



# Picture

Page 1 from 1

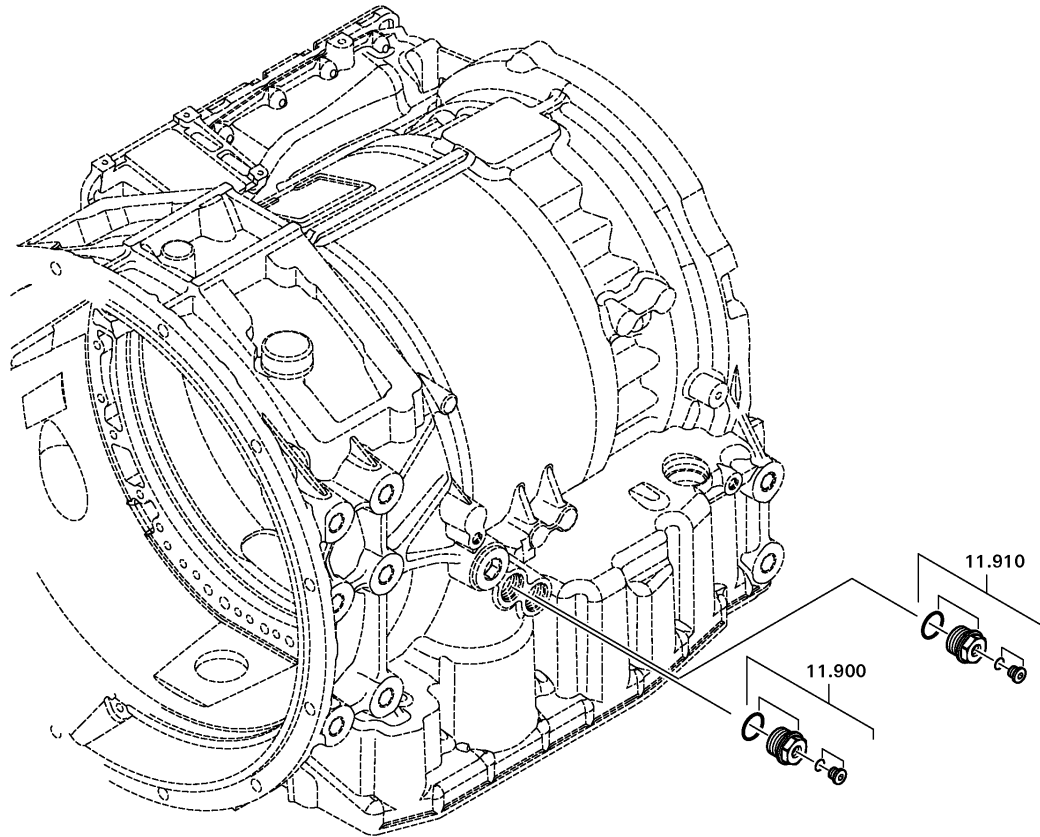
Material number: 4181.020.255

Picture: 130.011.001-1

Material-assembly-group-no: 4181.102.850



6 AP 1200 B /  
CLOSING COMPONENTS



# Picture

Page 1 from 1

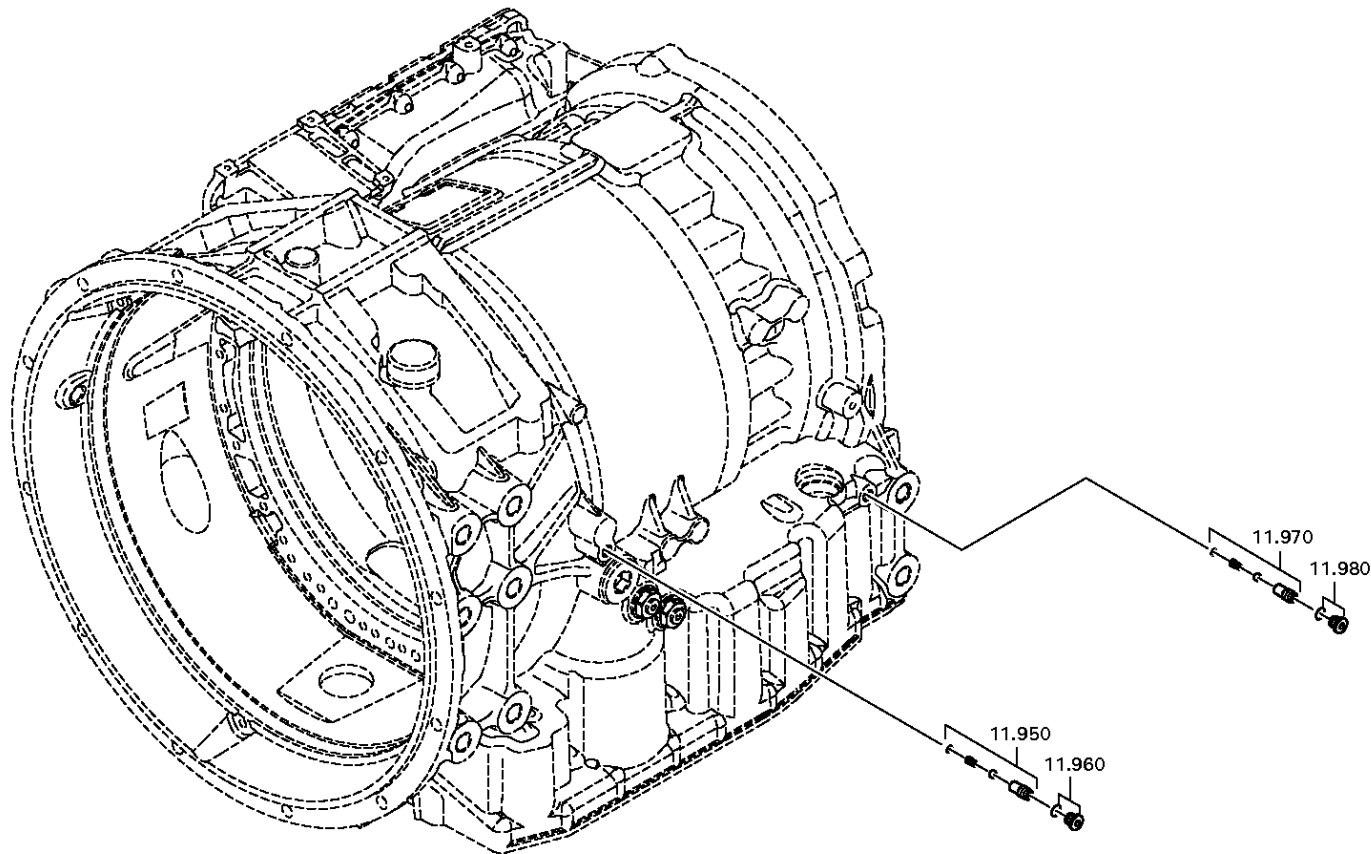
Material number: 4181.020.255

Picture: 130.11.02-1

Material-assembly-group-no: 4181.102.805



6 AP 1200 B /  
CLOSING COMPONENTS



# Picture

Page 1 from 2

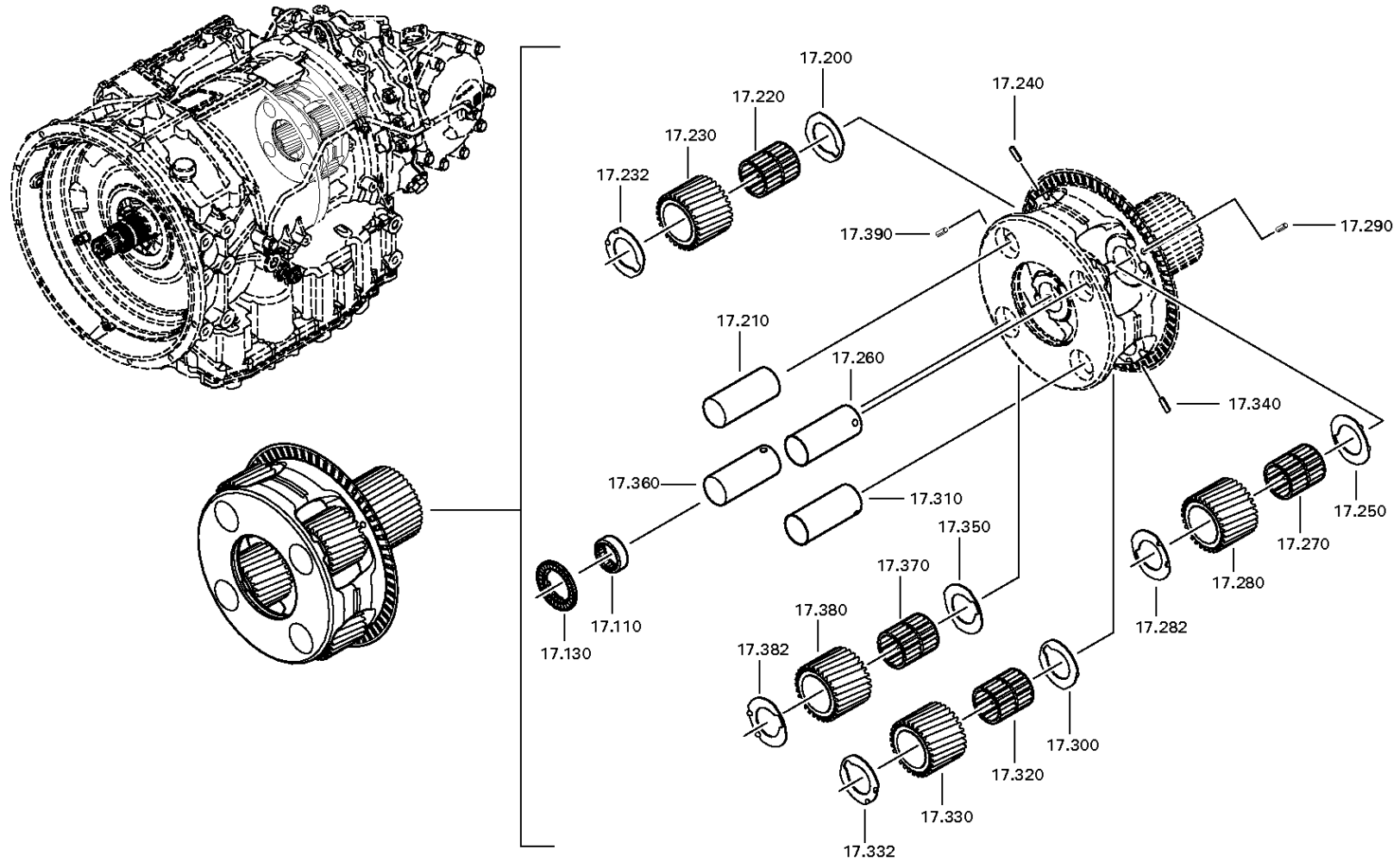
Material number: 4181.020.255

Picture: 130.17.03-1

Material-assembly-group-no: 4181.117.020



6 AP 1200 B /  
PLANETARY GEAR



# Picture

Page 2 from 2

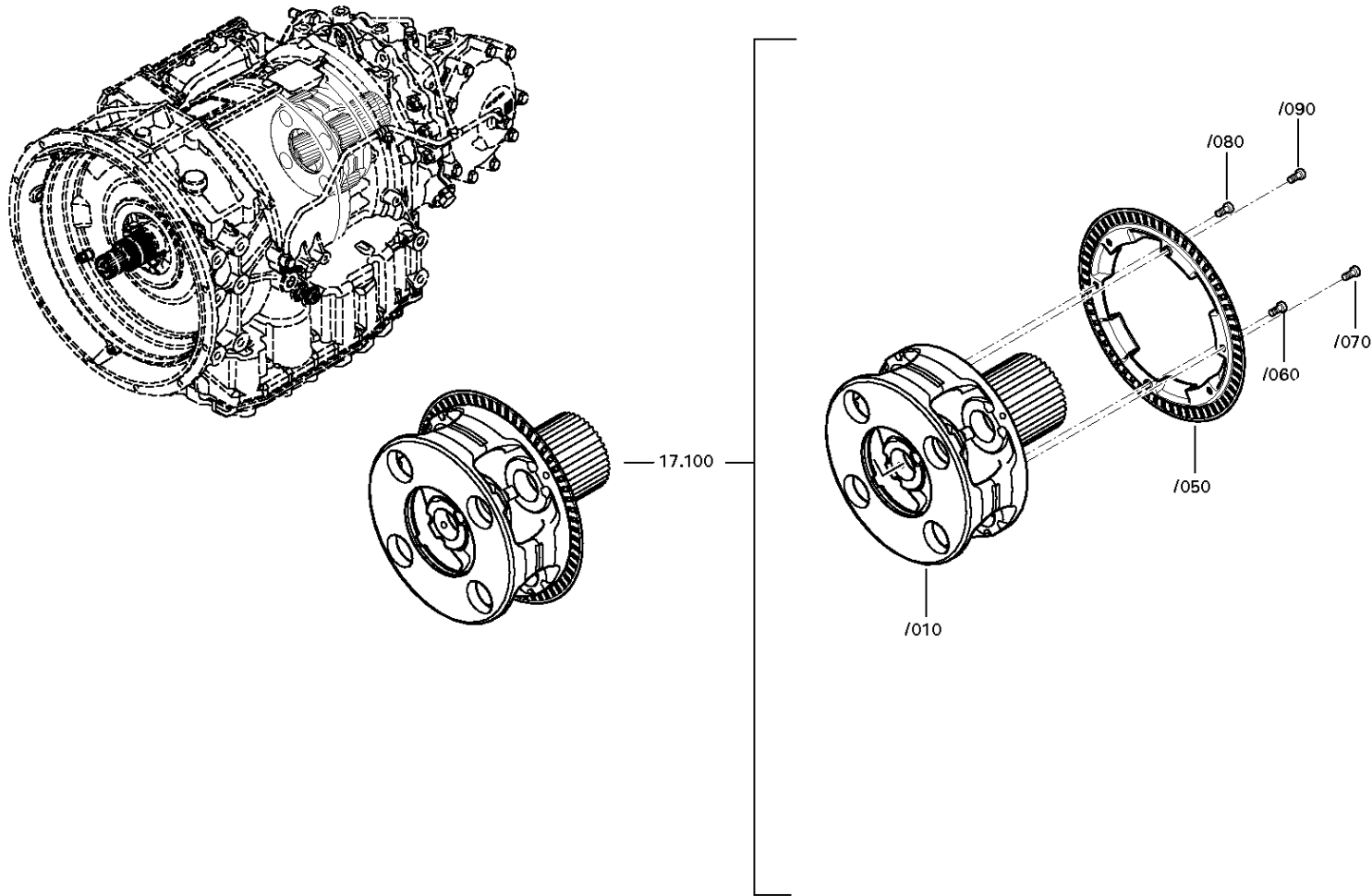
Material number: 4181.020.255

Picture: 130.17.03-2

Material-assembly-group-no: 4181.117.020



6 AP 1200 B /  
PLANETARY GEAR



# Picture

Page 1 from 1

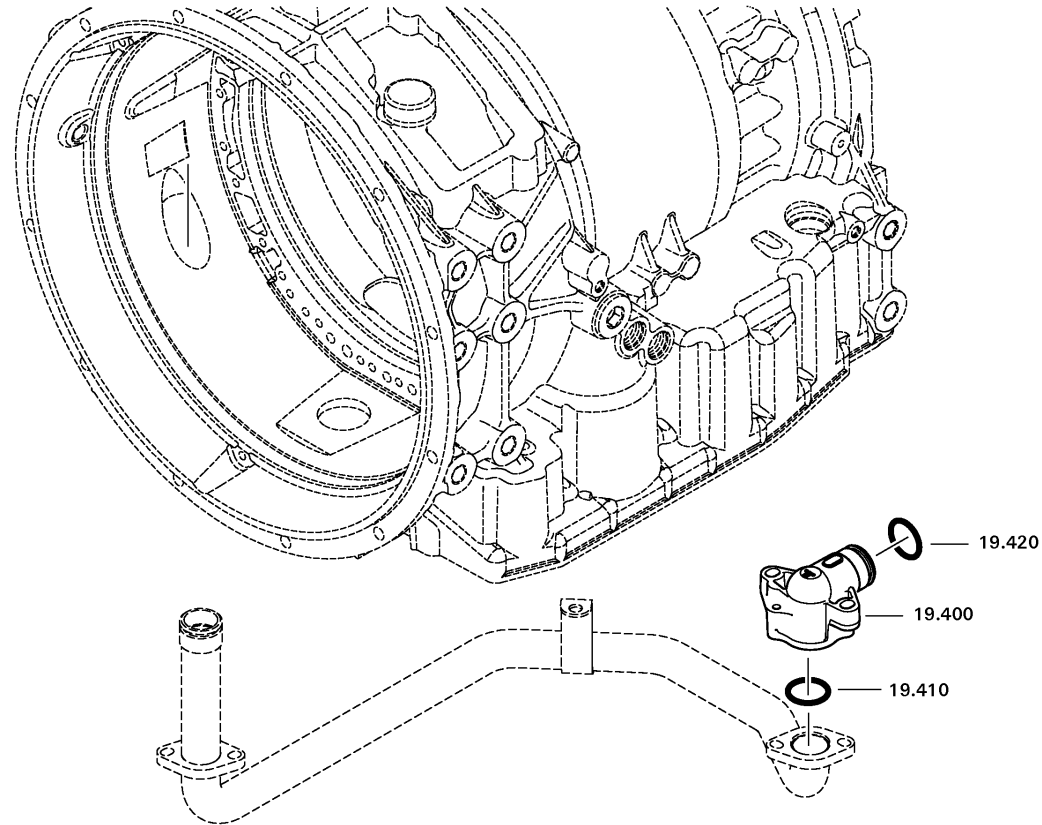
Material number: 4181.020.255

Picture: 130.019.001-1

Material-assembly-group-no: 4181.108.054



6 AP 1200 B /  
MANIFOLD



# Picture

Page 1 from 1

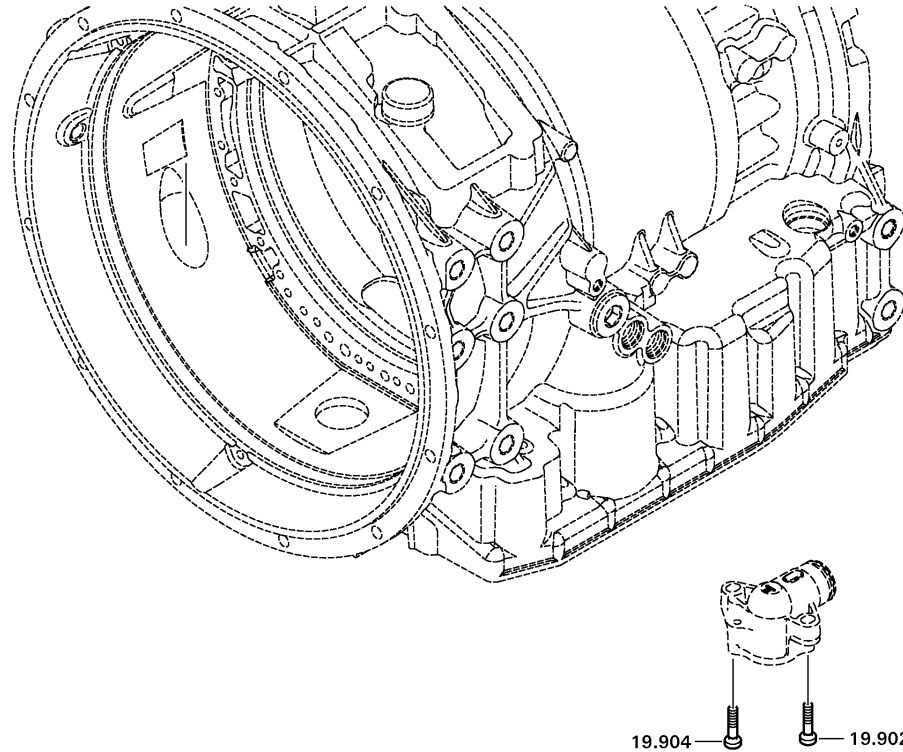
Material number: 4181.020.255

Picture: 130.019.080-1

Material-assembly-group-no: 4181.108.850



6 AP 1200 B /  
MANIFOLD





# Picture

Page 1 from 1

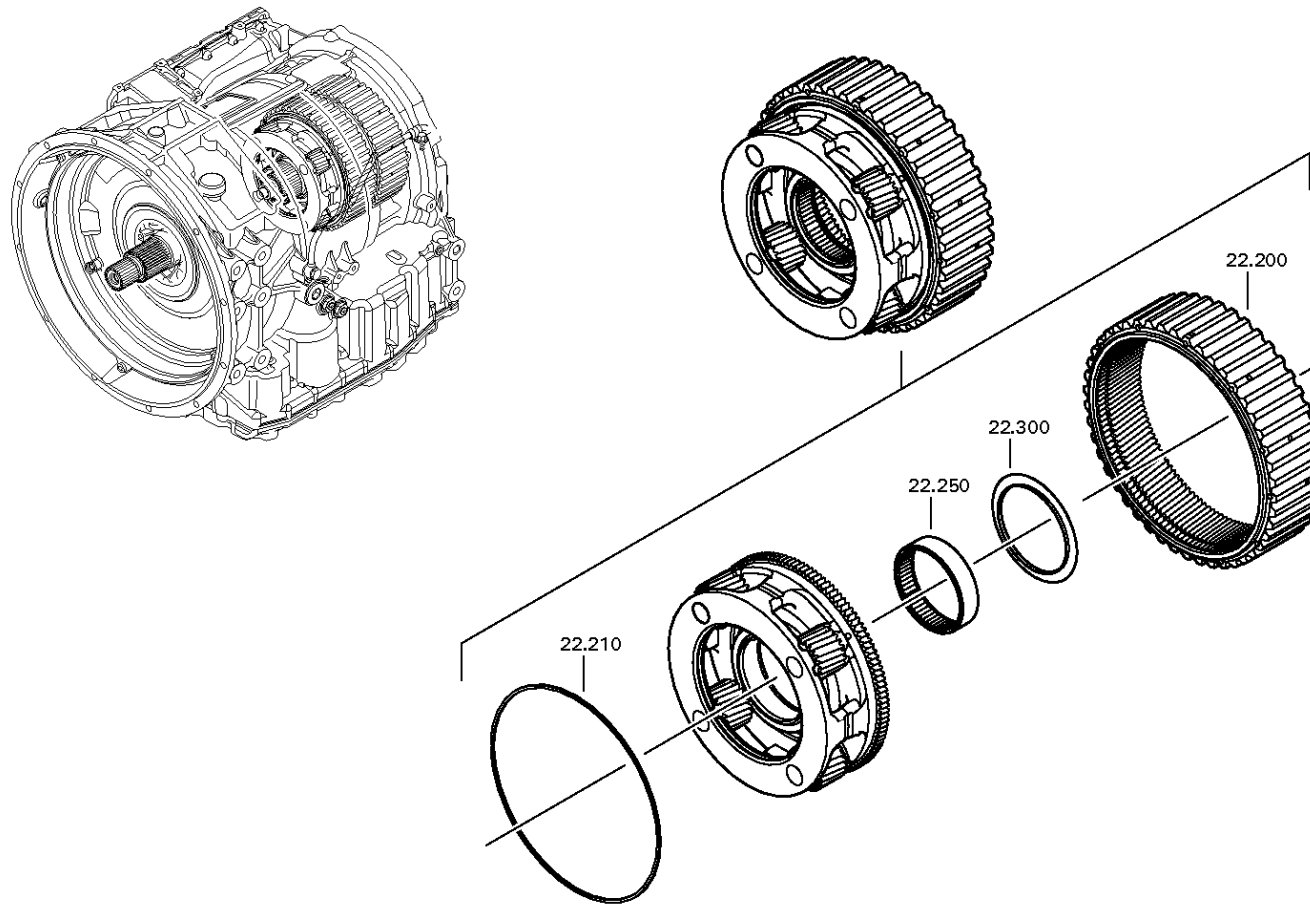
Material number: 4181.020.255

Picture: 130.22.02-1

Material-assembly-group-no: 4181.122.015



6 AP 1200 B /  
PLANETARY DRIVE



# Picture

Page 1 from 1

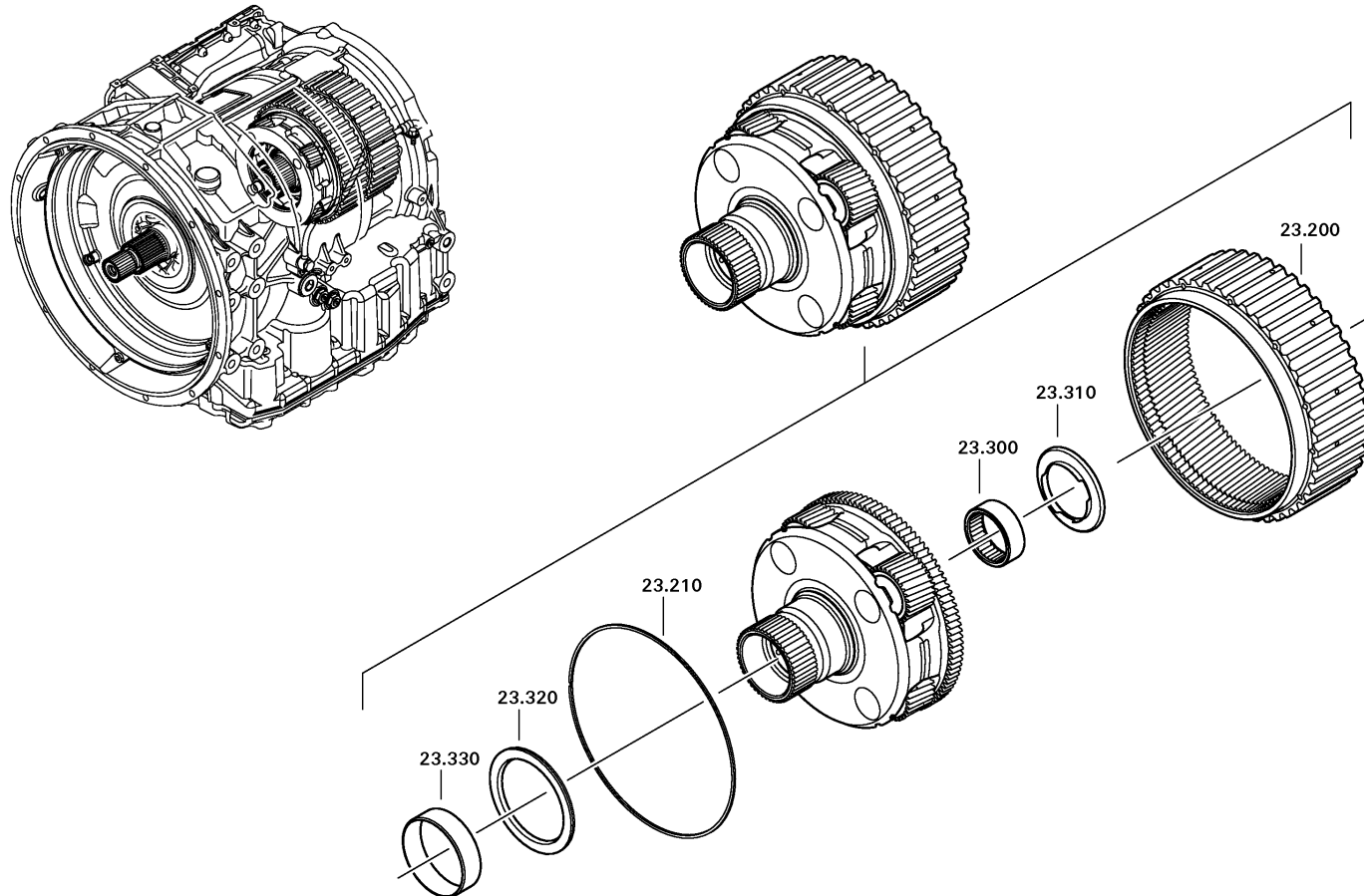
Material number: 4181.020.255

Picture: 130.23.01-1

Material-assembly-group-no: 4181.123.015



6 AP 1200 B /  
PLANETARY DRIVE



# Picture

Page 1 from 1

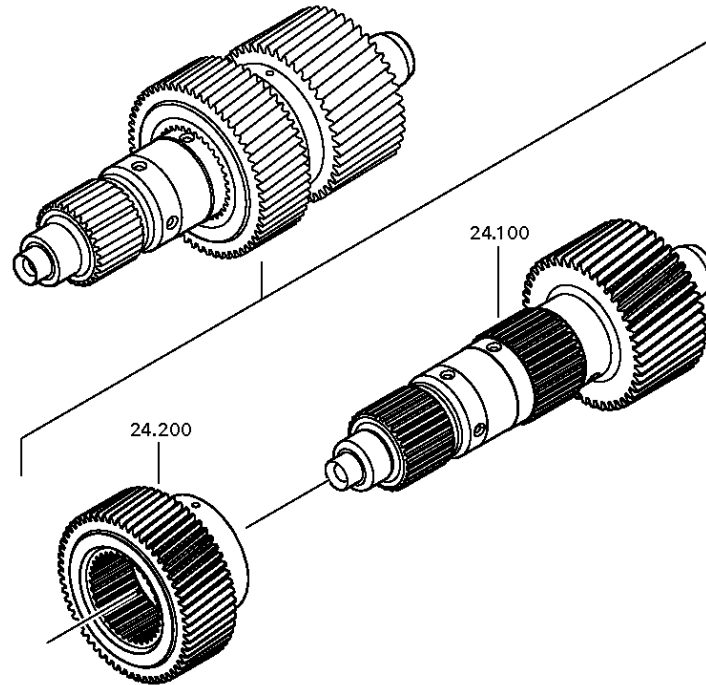
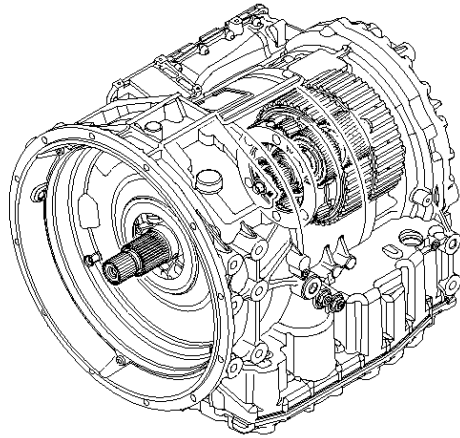
Material number: 4181.020.255

Picture: 130.24.02-1

Material-assembly-group-no: 4181.124.007



6 AP 1200 B /  
INPUT SHAFT



# Picture

Page 1 from 1

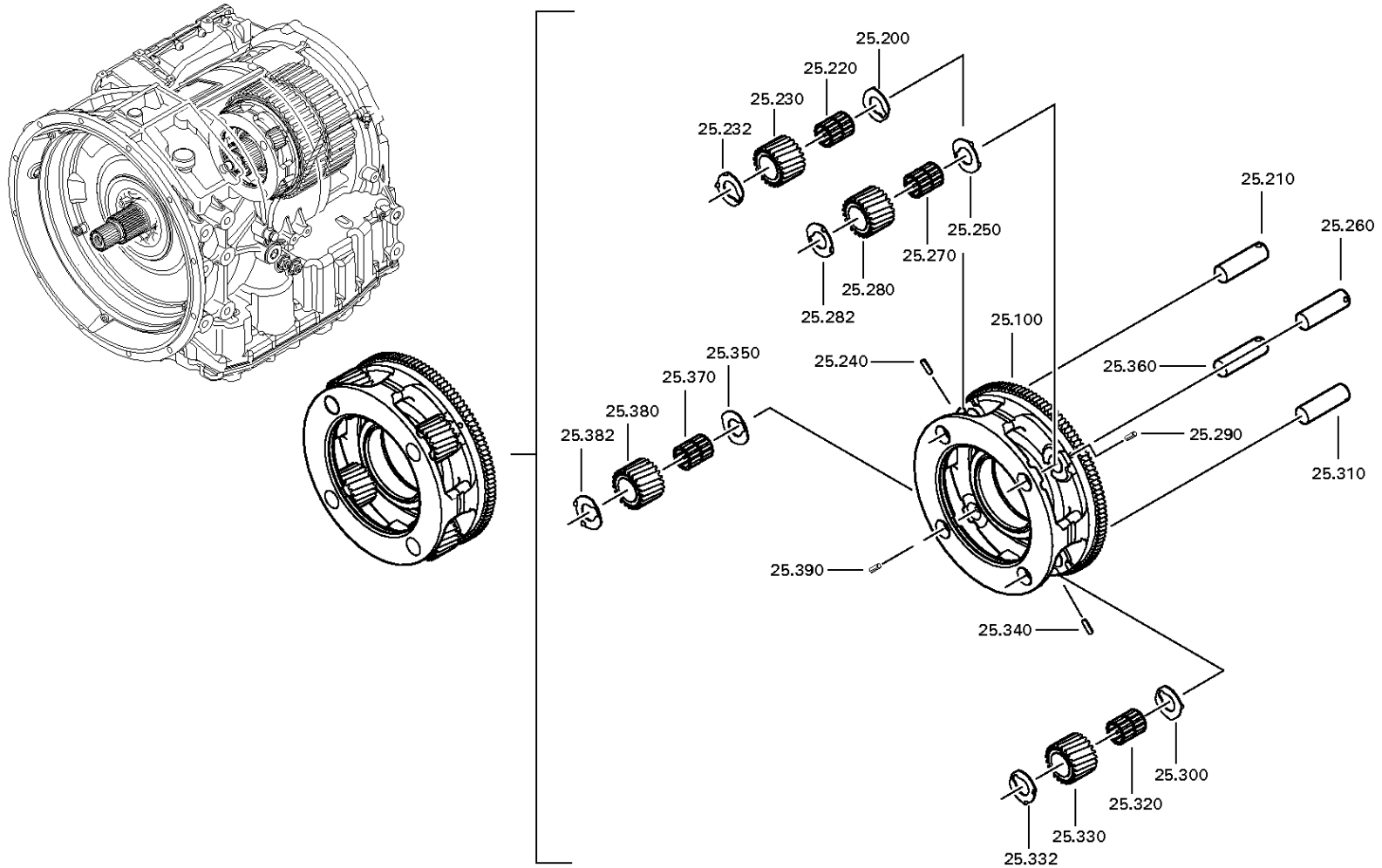
Material number: 4181.020.255

Picture: 130.25.03-1

Material-assembly-group-no: 4181.125.021



6 AP 1200 B /  
PLANET CARRIER



# Picture

Page 1 from 1

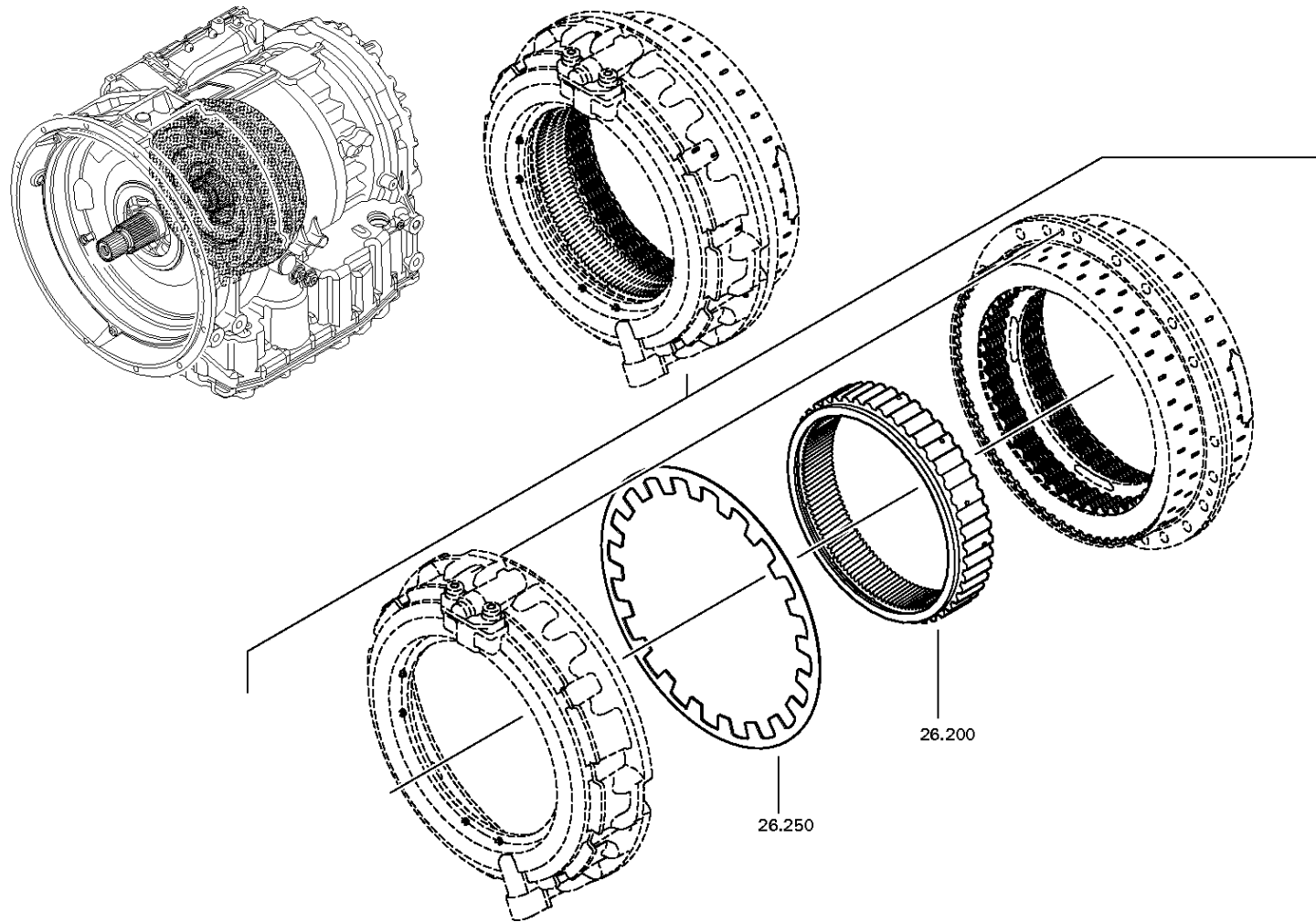
Material number: 4181.020.255

Picture: 130.26.01-1

Material-assembly-group-no: 4181.126.052



6 AP 1200 B /  
BRAKE



# Picture

Page 1 from 1

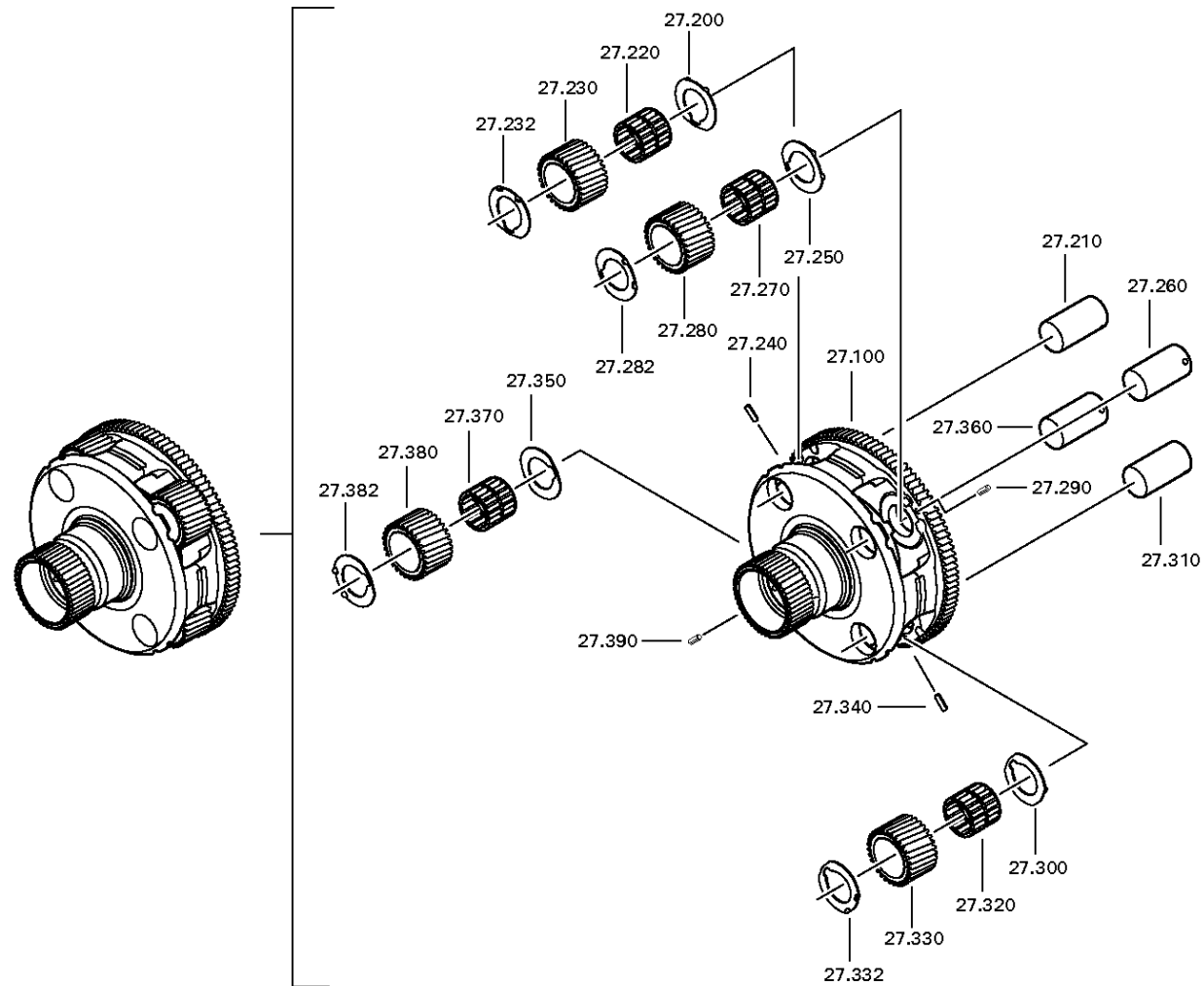
Material number: 4181.020.255

Picture: 130.27.01-1

Material-assembly-group-no: 4181.125.022



6 AP 1200 B /  
PLANET CARRIER



# Picture

Page 1 from 4

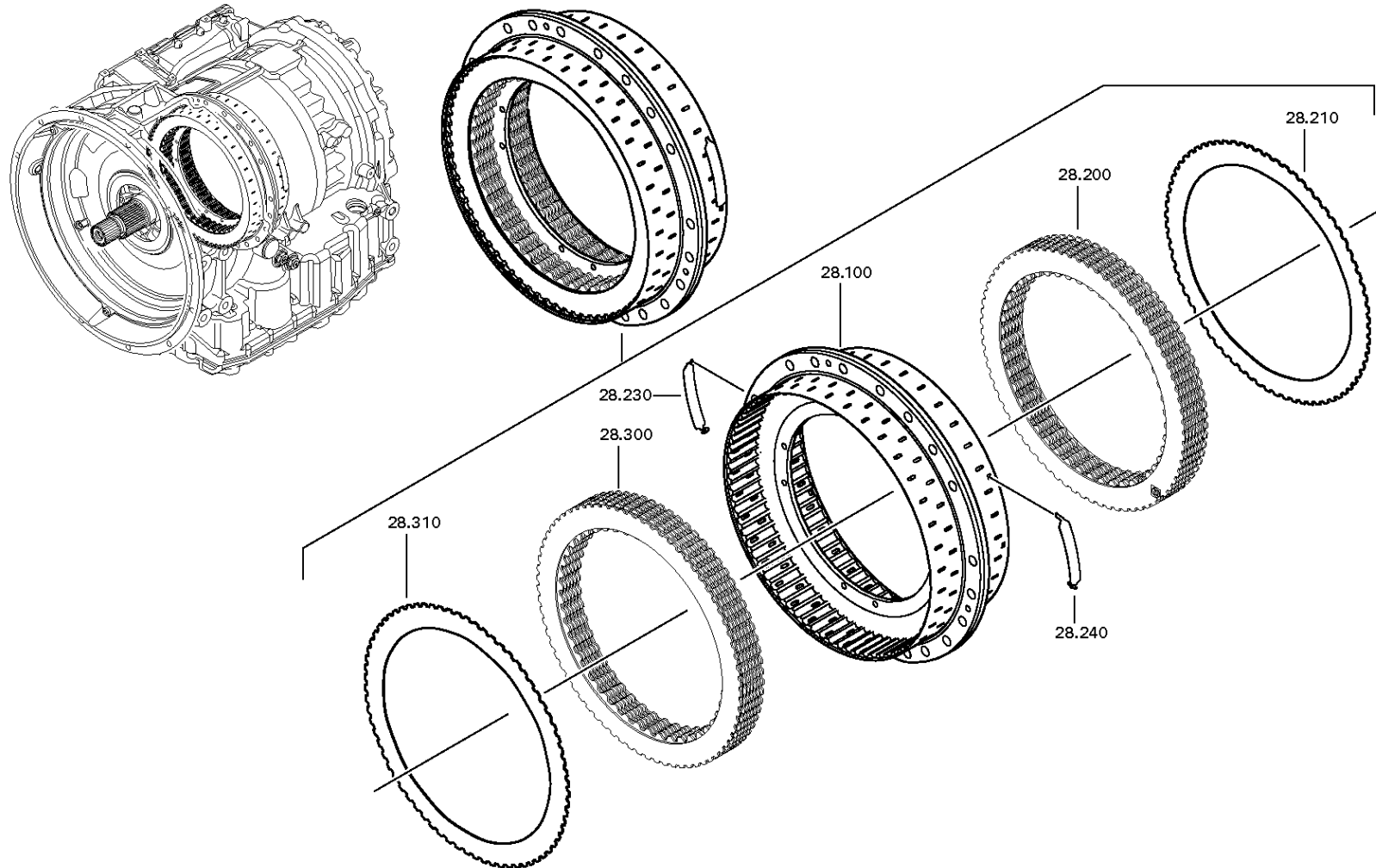
Material number: 4181.020.255

Picture: 130.28.01-1

Material-assembly-group-no: 4181.127.052



6 AP 1200 B /  
DISC CARRIER



# Picture

Page 2 from 4

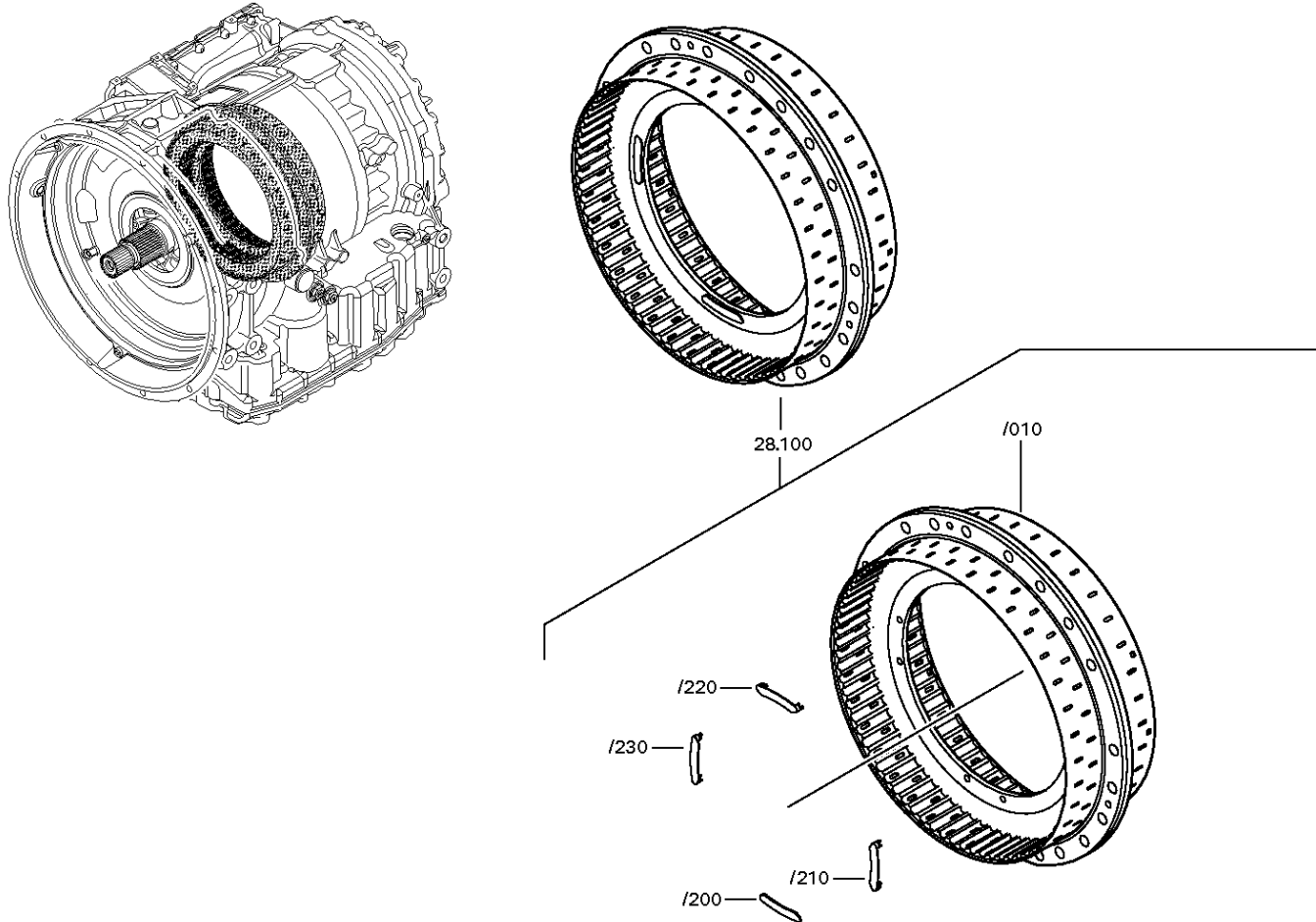
Material number: 4181.020.255

Picture: 130.28.01-2

Material-assembly-group-no: 4181.127.052



6 AP 1200 B /  
DISC CARRIER





# Picture

Page 3 from 4

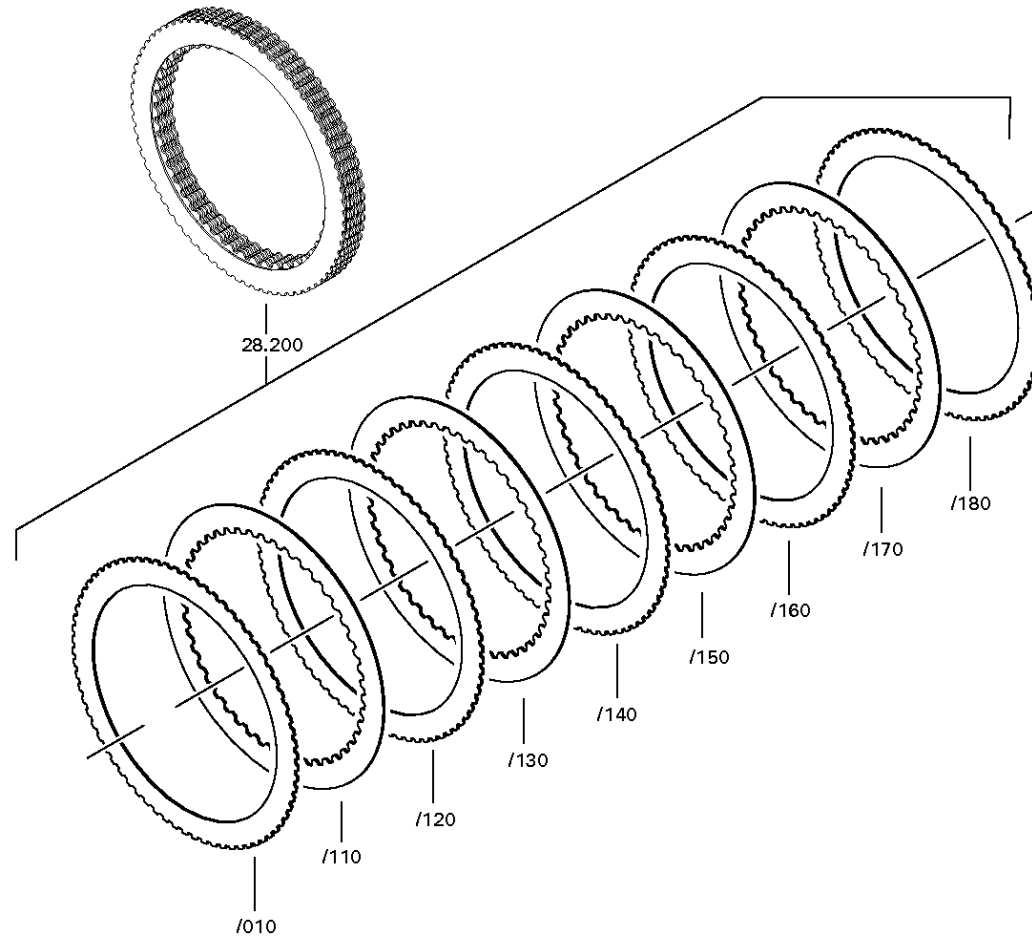
Material number: 4181.020.255

Picture: 130.28.01-3

Material-assembly-group-no: 4181.127.052



6 AP 1200 B /  
DISC CARRIER



# Picture

Page 4 from 4

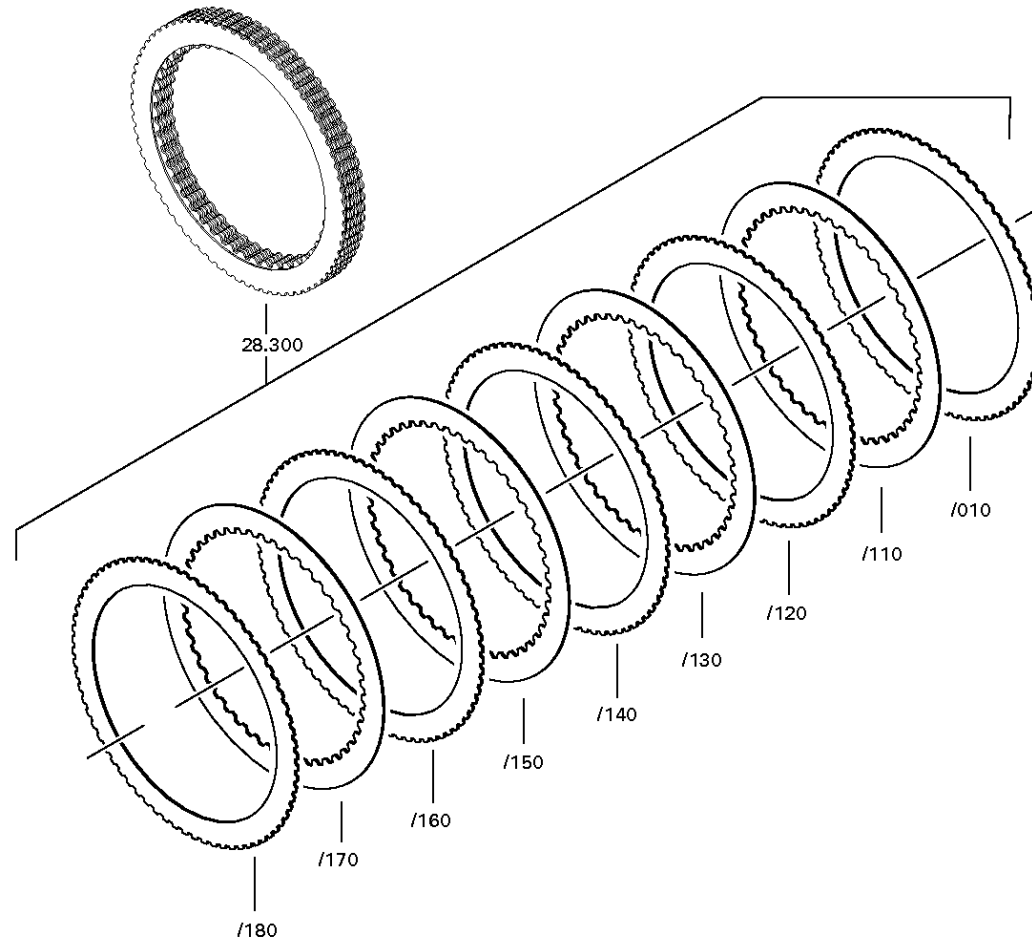
Material number: 4181.020.255

Picture: 130.28.01-4

Material-assembly-group-no: 4181.127.052



6 AP 1200 B /  
DISC CARRIER



# Picture

Page 1 from 1

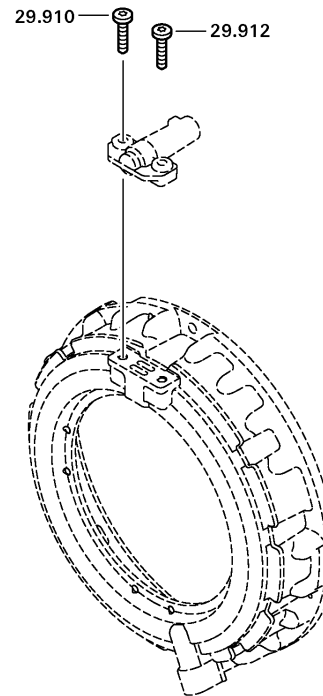
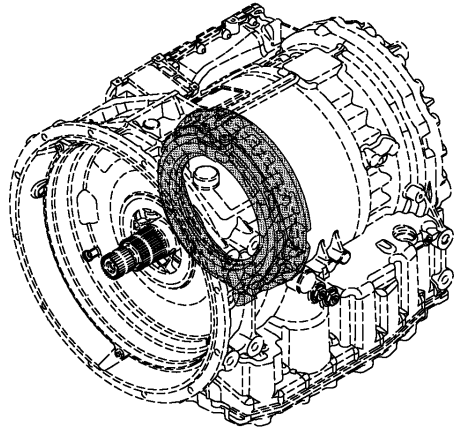
Material number: 4181.020.255

Picture: 130.29.80-1

Material-assembly-group-no: 4181.129.801



6 AP 1200 B /  
CHANGE OVER VALVE



# Picture

Page 1 from 1

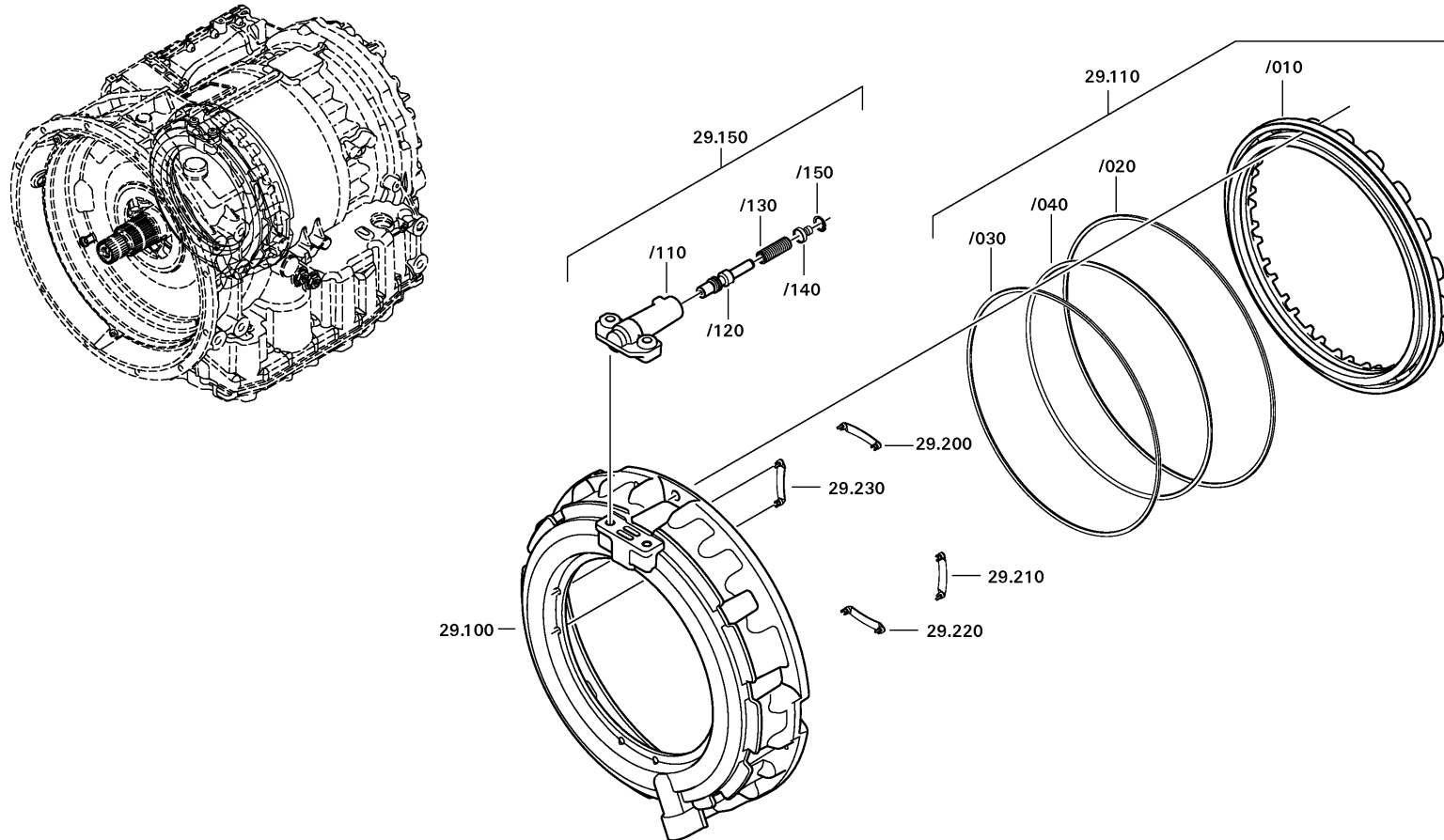
Material number: 4181.020.255

Picture: 130.029.001-1

Material-assembly-group-no: 4181.129.052



6 AP 1200 B /  
PISTON SUPPORT



# Picture

Page 1 from 1

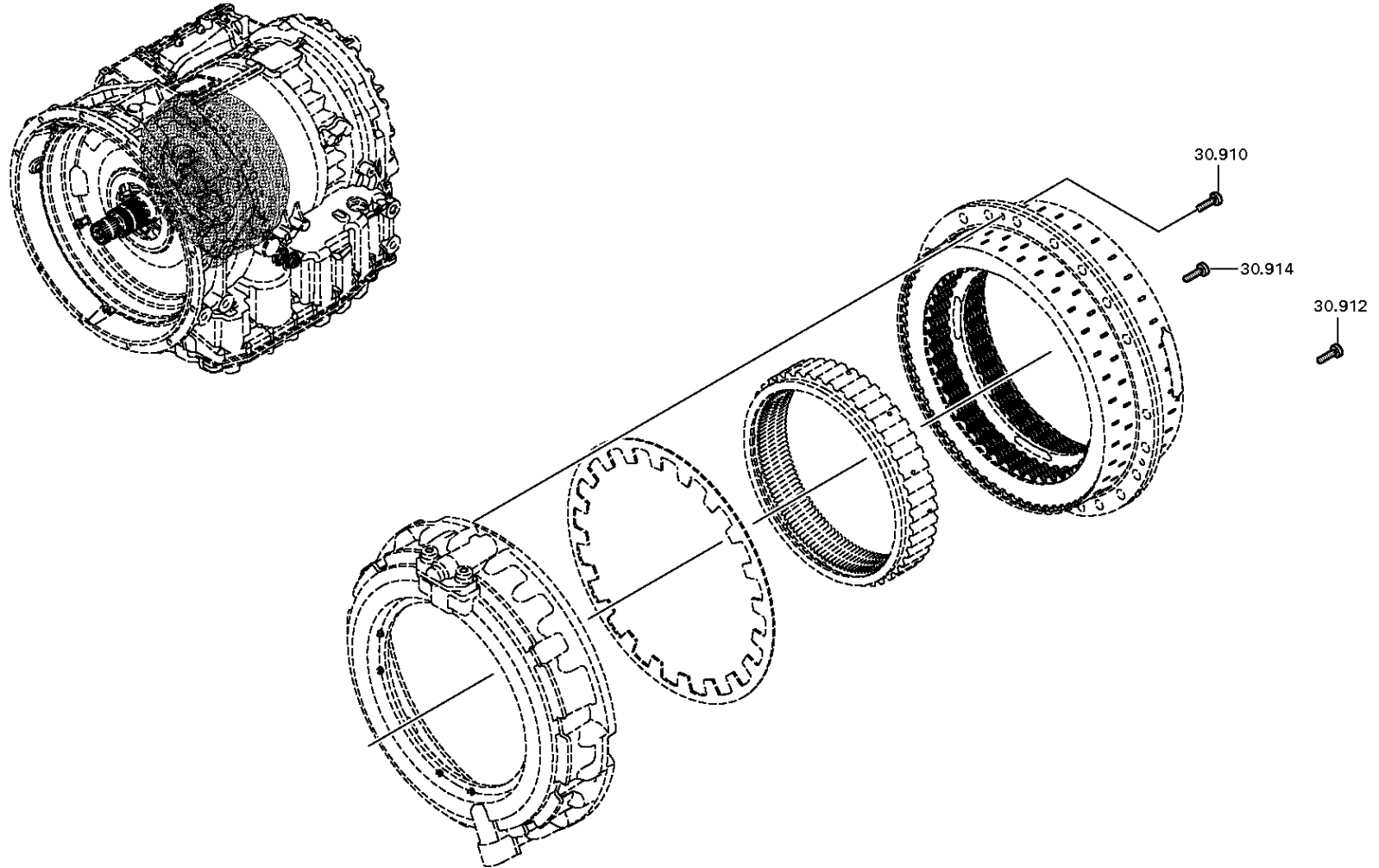
Material number: 4181.020.255

Picture: 130.30.01-1

Material-assembly-group-no: 4181.129.802



6 AP 1200 B /  
PISTON SUPPORT



# Picture

Page 1 from 2

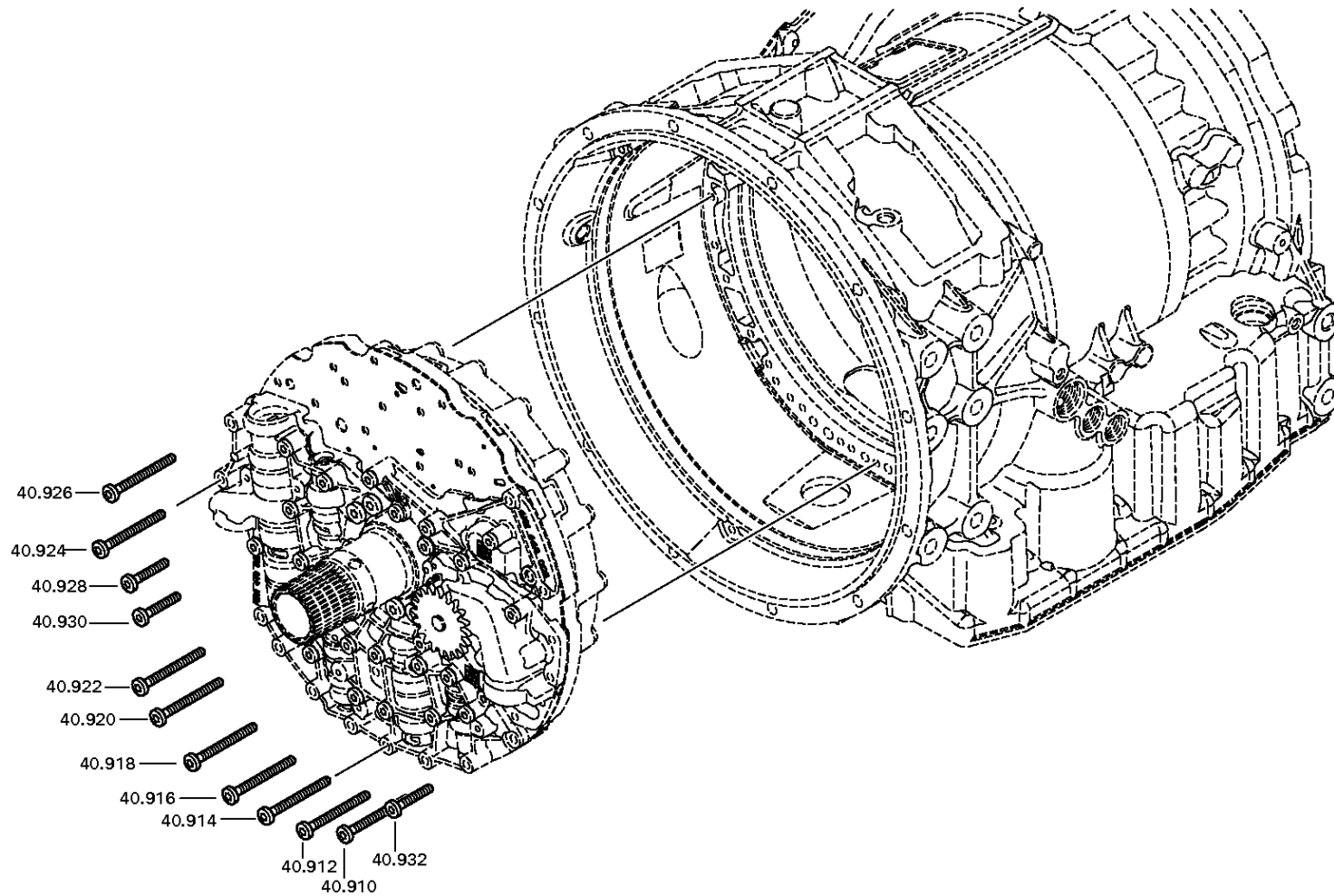
Material number: 4181.020.255

Picture: 130.40.80-1

Material-assembly-group-no: 4181.140.801



6 AP 1200 B /  
OIL SUPPLY



# Picture

Page 2 from 2

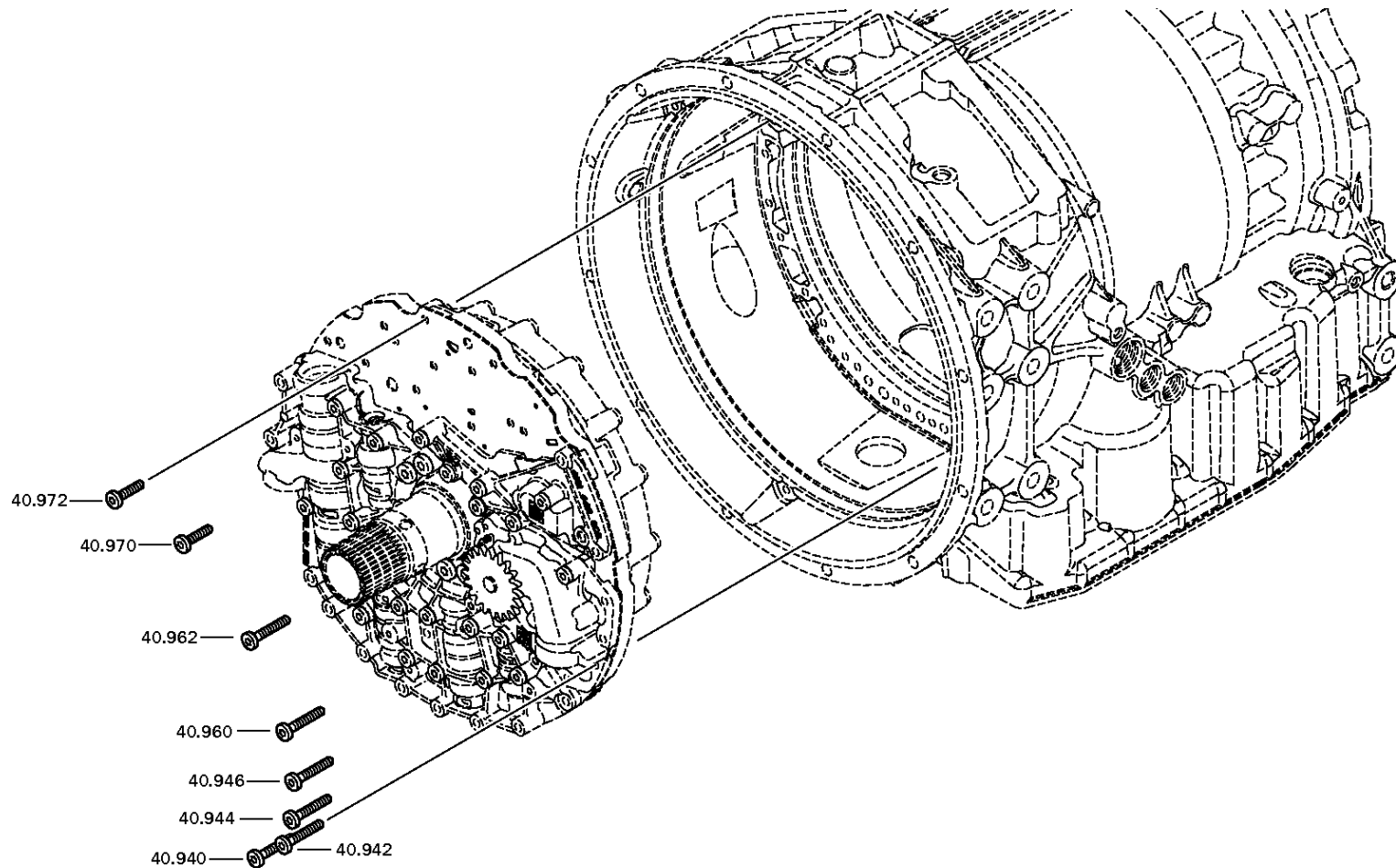
Material number: 4181.020.255

Picture: 130.40.80-2

Material-assembly-group-no: 4181.140.801



6 AP 1200 B /  
OIL SUPPLY



# Picture

Page 1 from 4

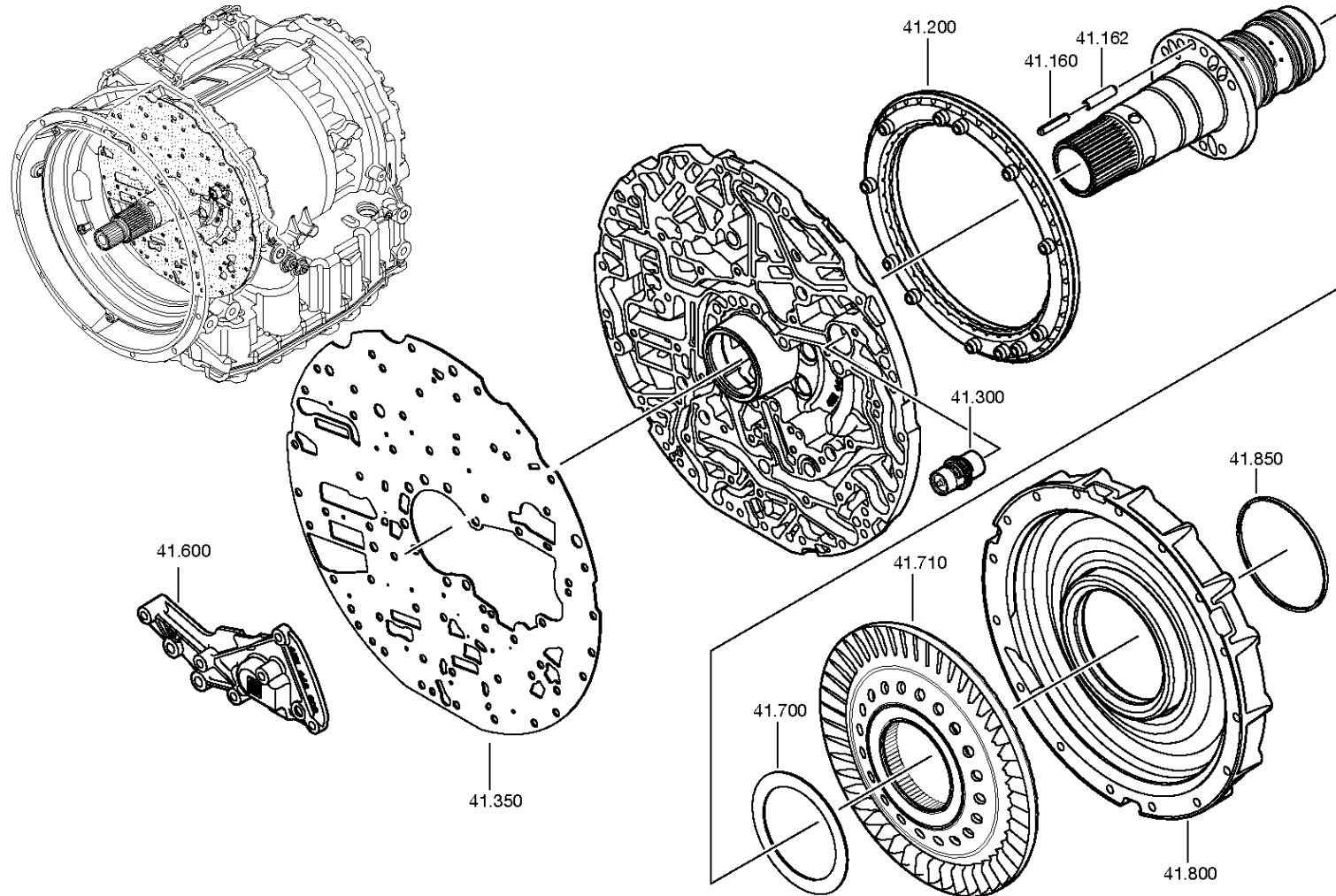
Material number: 4181.020.255

Picture: 130.41.01-1

Material-assembly-group-no: 4181.141.053



6 AP 1200 B /  
OIL SUPPLY





# Picture

Page 2 from 4

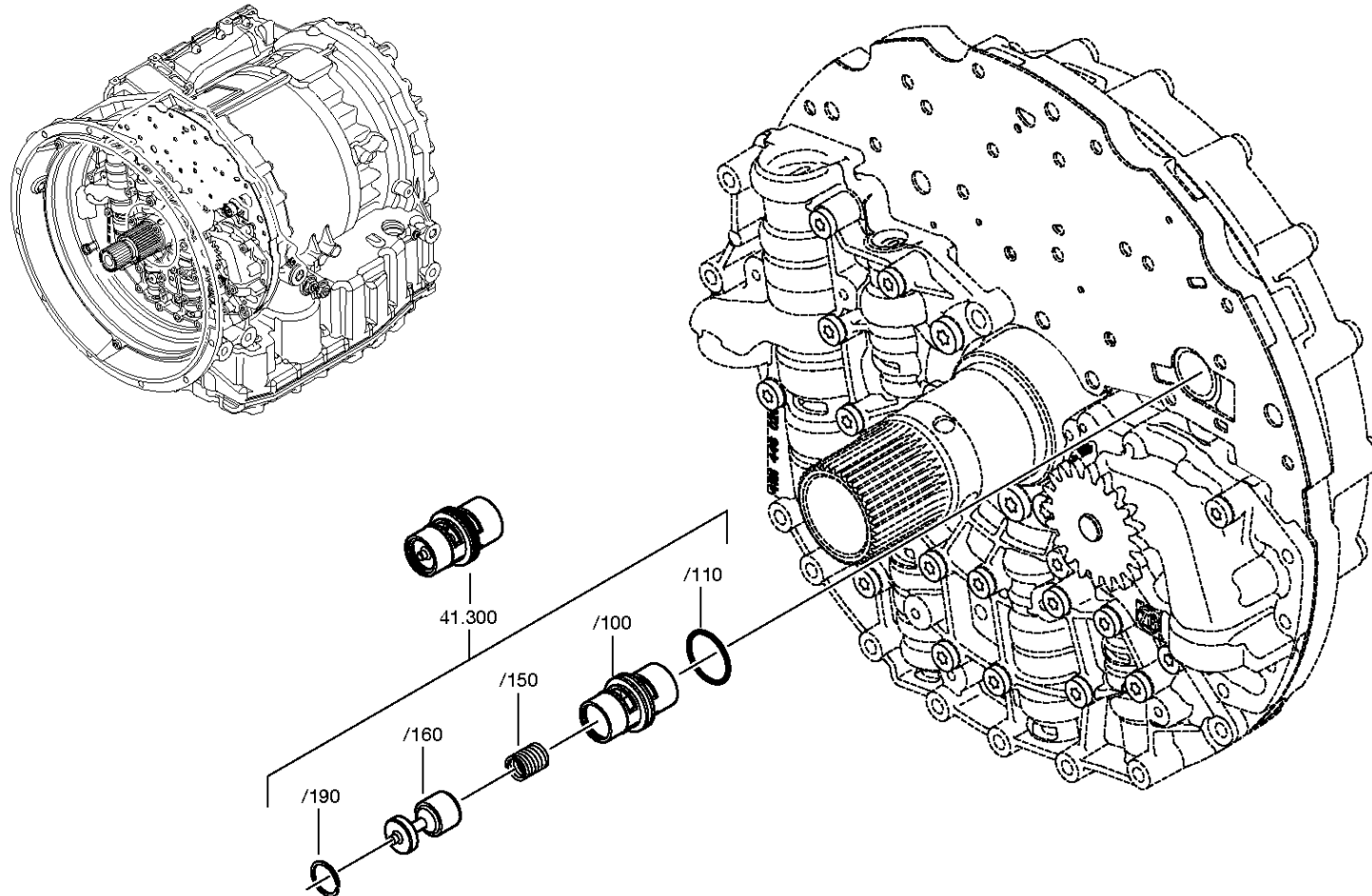
Material number: 4181.020.255

Picture: 130.41.01-2

Material-assembly-group-no: 4181.141.053



6 AP 1200 B /  
OIL SUPPLY



# Picture

Page 3 from 4

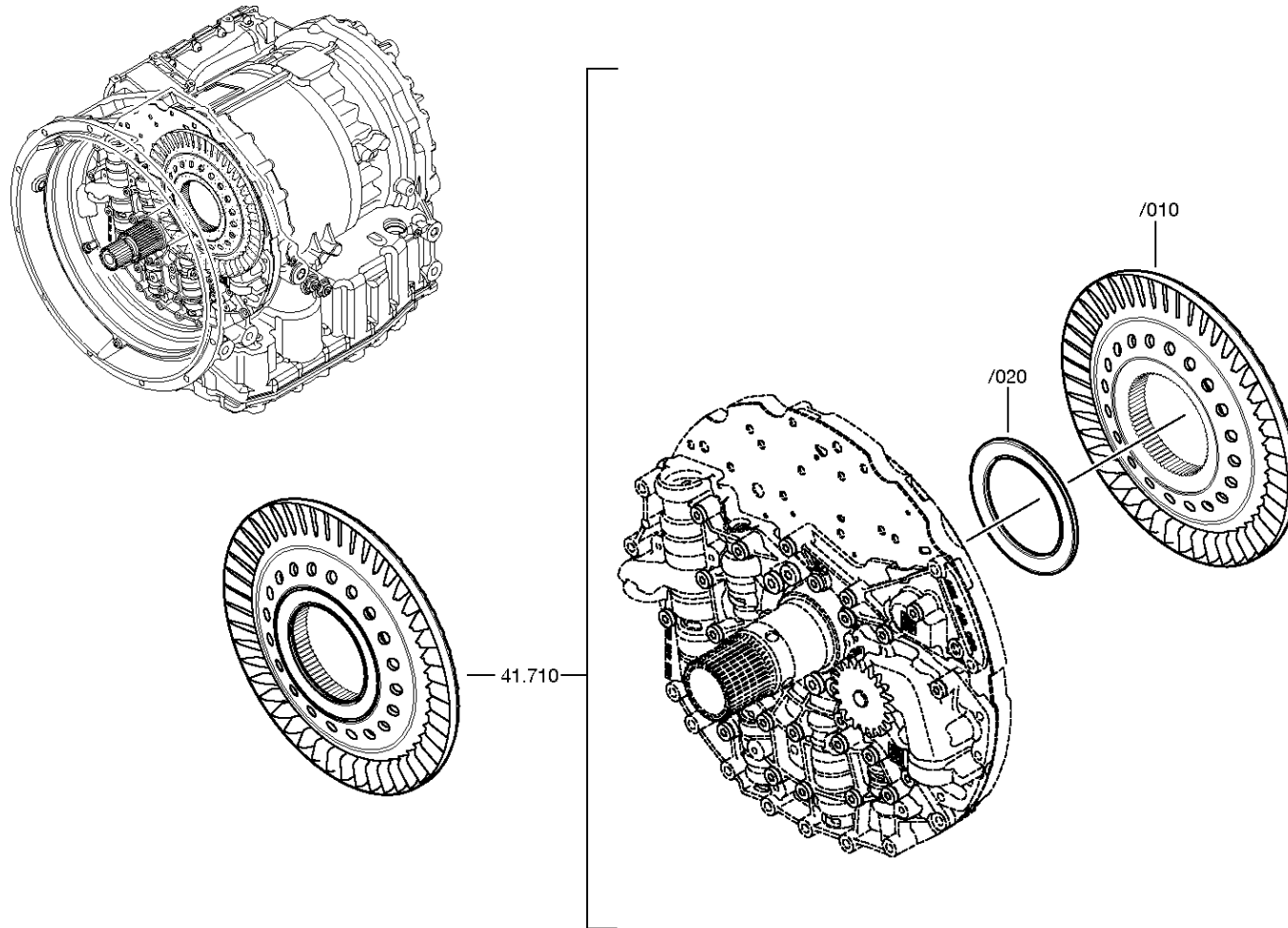
Material number: 4181.020.255

Picture: 130.41.01-3

Material-assembly-group-no: 4181.141.053



6 AP 1200 B /  
OIL SUPPLY



# Picture

Page 4 from 4

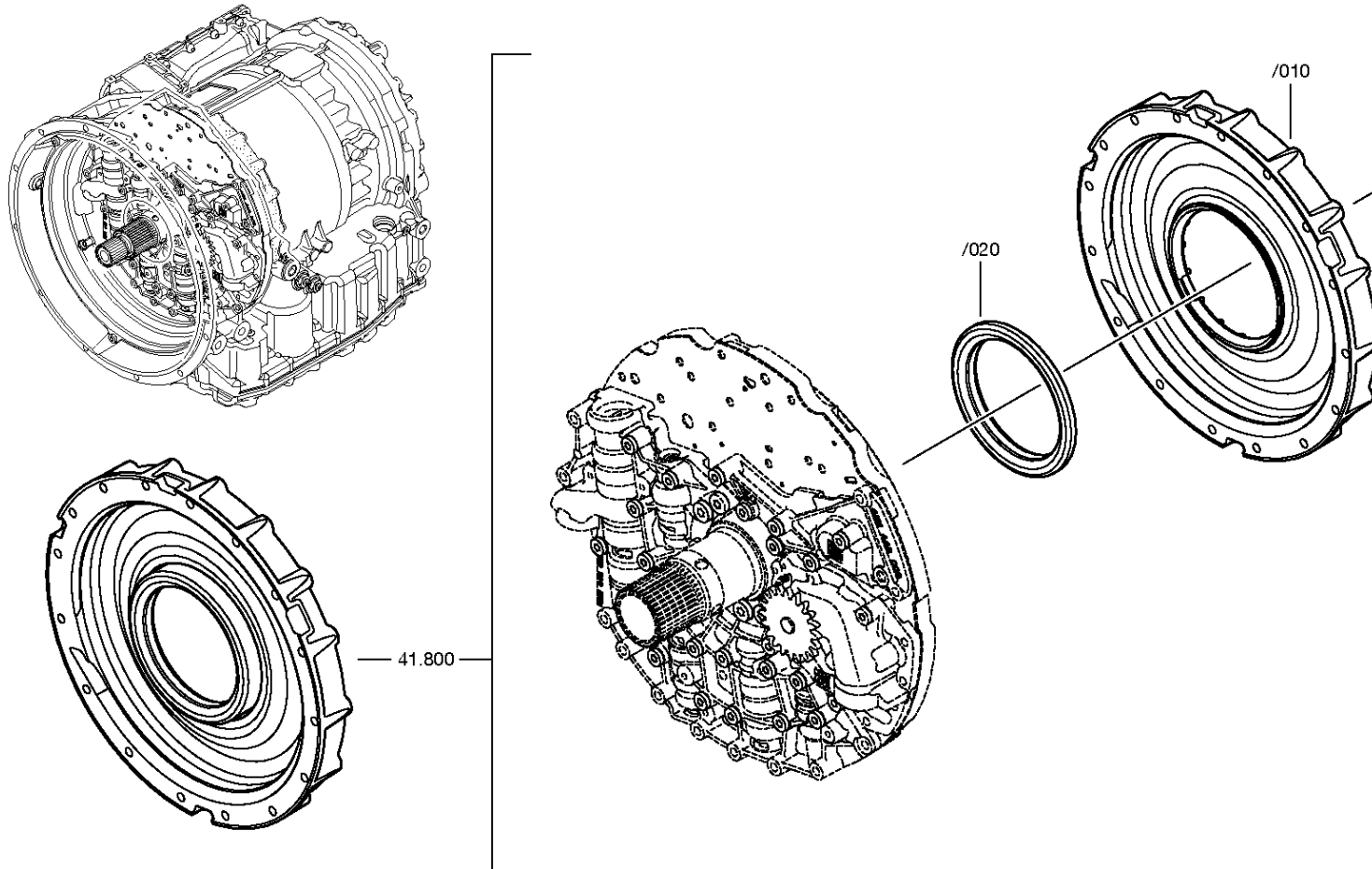
Material number: 4181.020.255

Picture: 130.41.01-4

Material-assembly-group-no: 4181.141.053



6 AP 1200 B /  
OIL SUPPLY



# Picture

Page 1 from 1

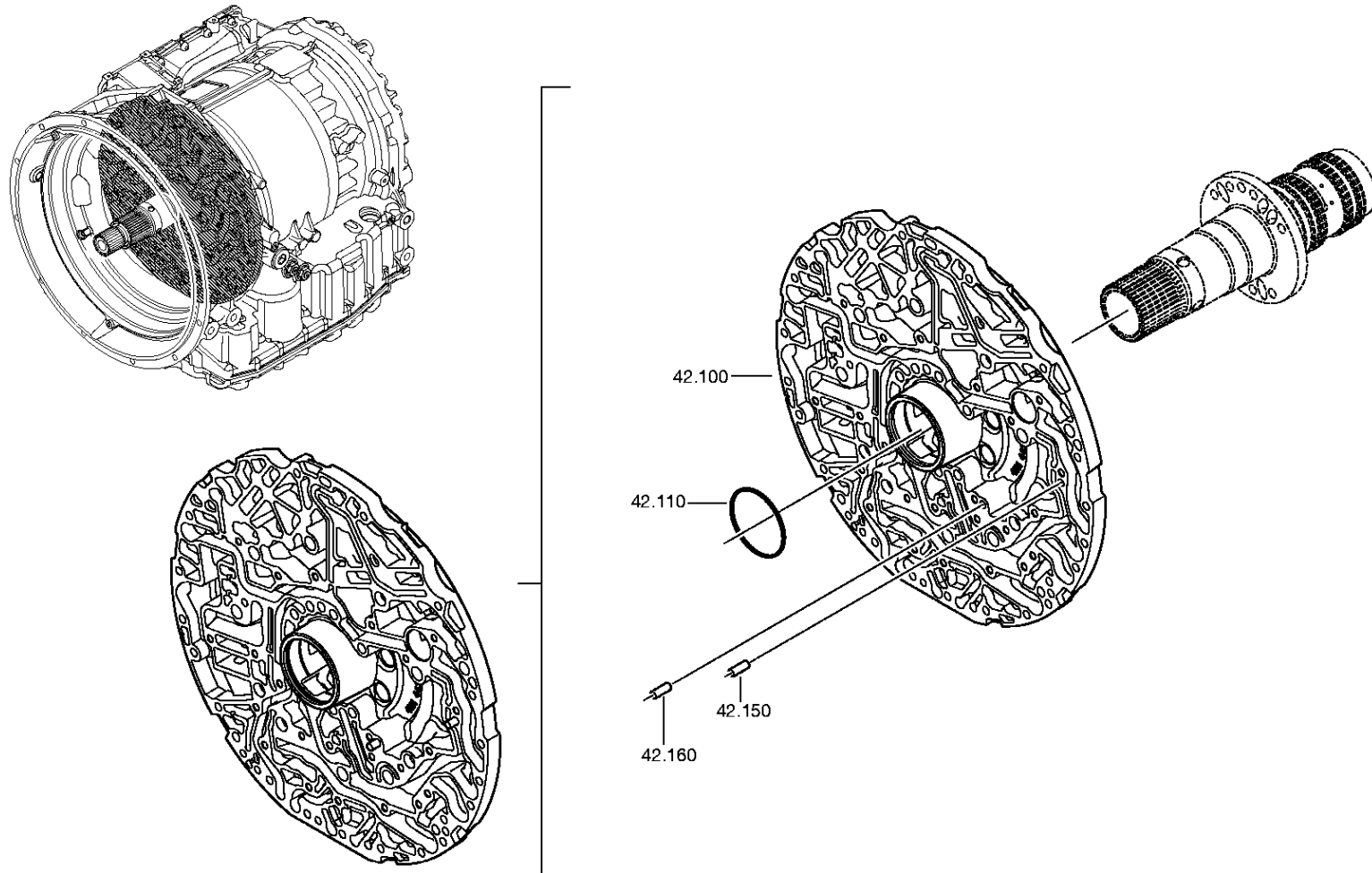
Material number: 4181.020.255

Picture: 130.42.01-1

Material-assembly-group-no: 4181.142.050



6 AP 1200 B /  
OIL FEED FLANGE



# Picture

Page 1 from 1

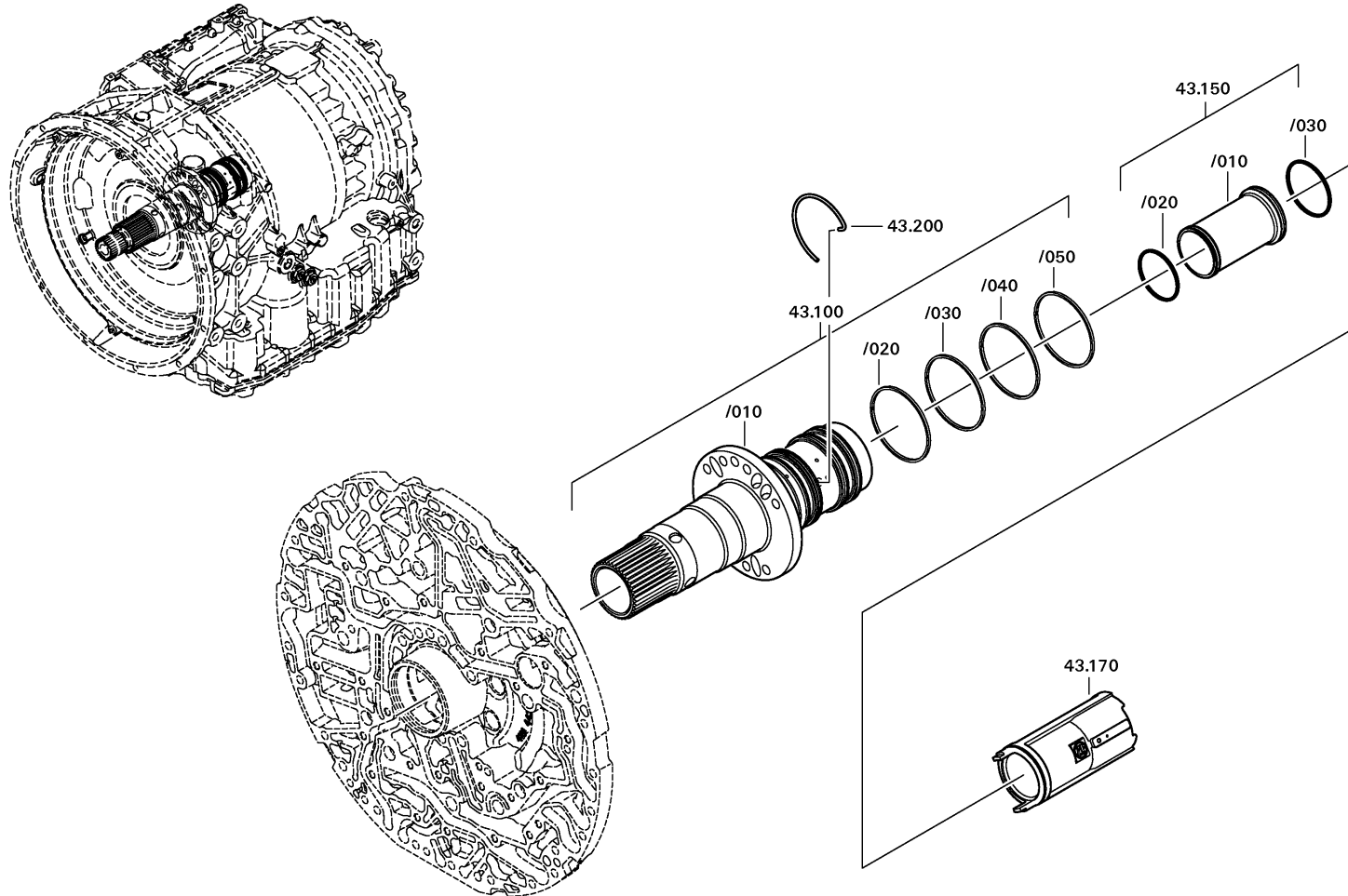
Material number: 4181.020.255

Picture: 130.043.001-1

Material-assembly-group-no: 4181.143.010



6 AP 1200 B /  
STATOR SHAFT



# Picture

Page 1 from 1

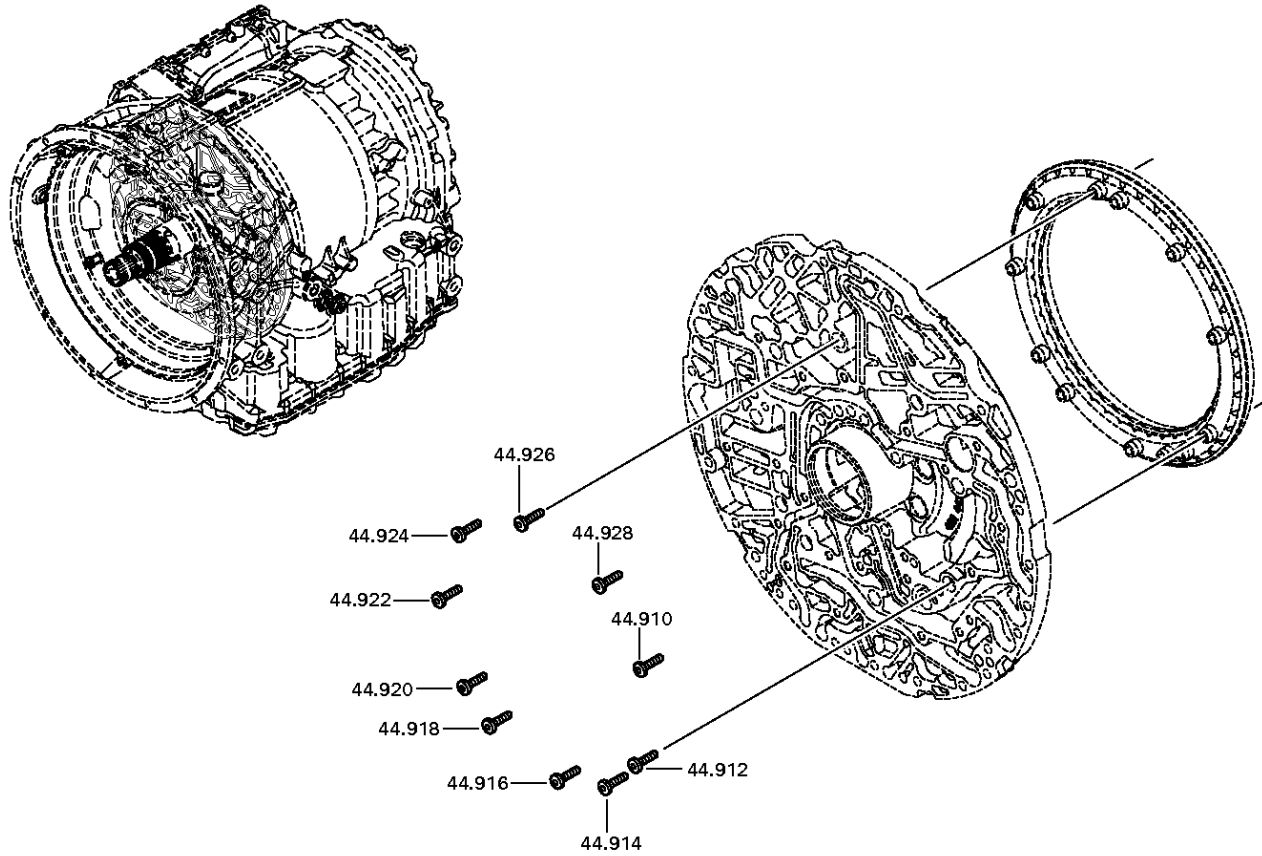
Material number: 4181.020.255

Picture: 130.44.82-1

Material-assembly-group-no: 4181.144.802



6 AP 1200 B /  
STATOR RING



# Picture

Page 1 from 1

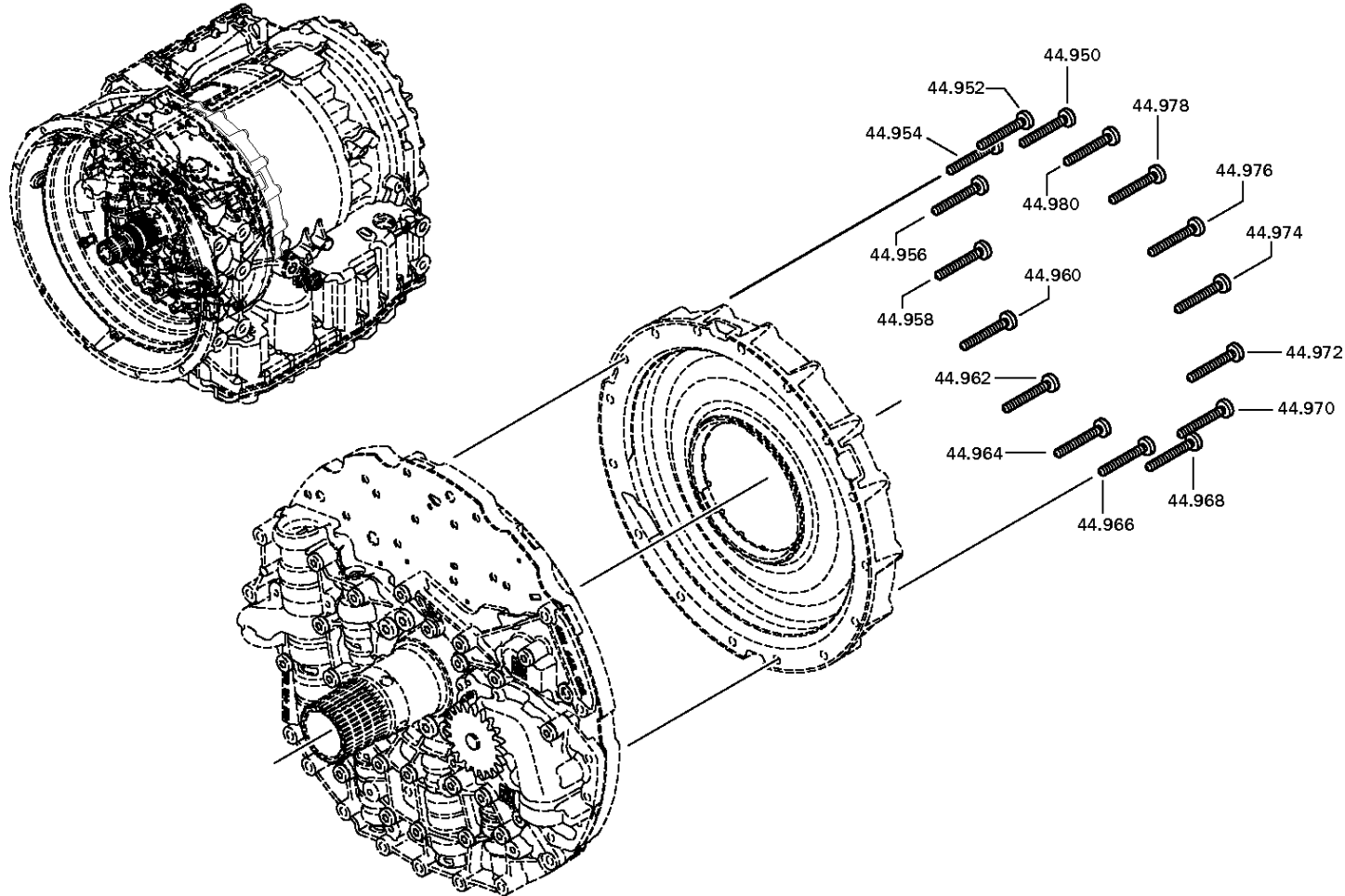
Material number: 4181.020.255

Picture: 130.44.81-1

Material-assembly-group-no: 4181.144.803



6 AP 1200 B /  
SEALING WASHER





# Picture

Page 1 from 1

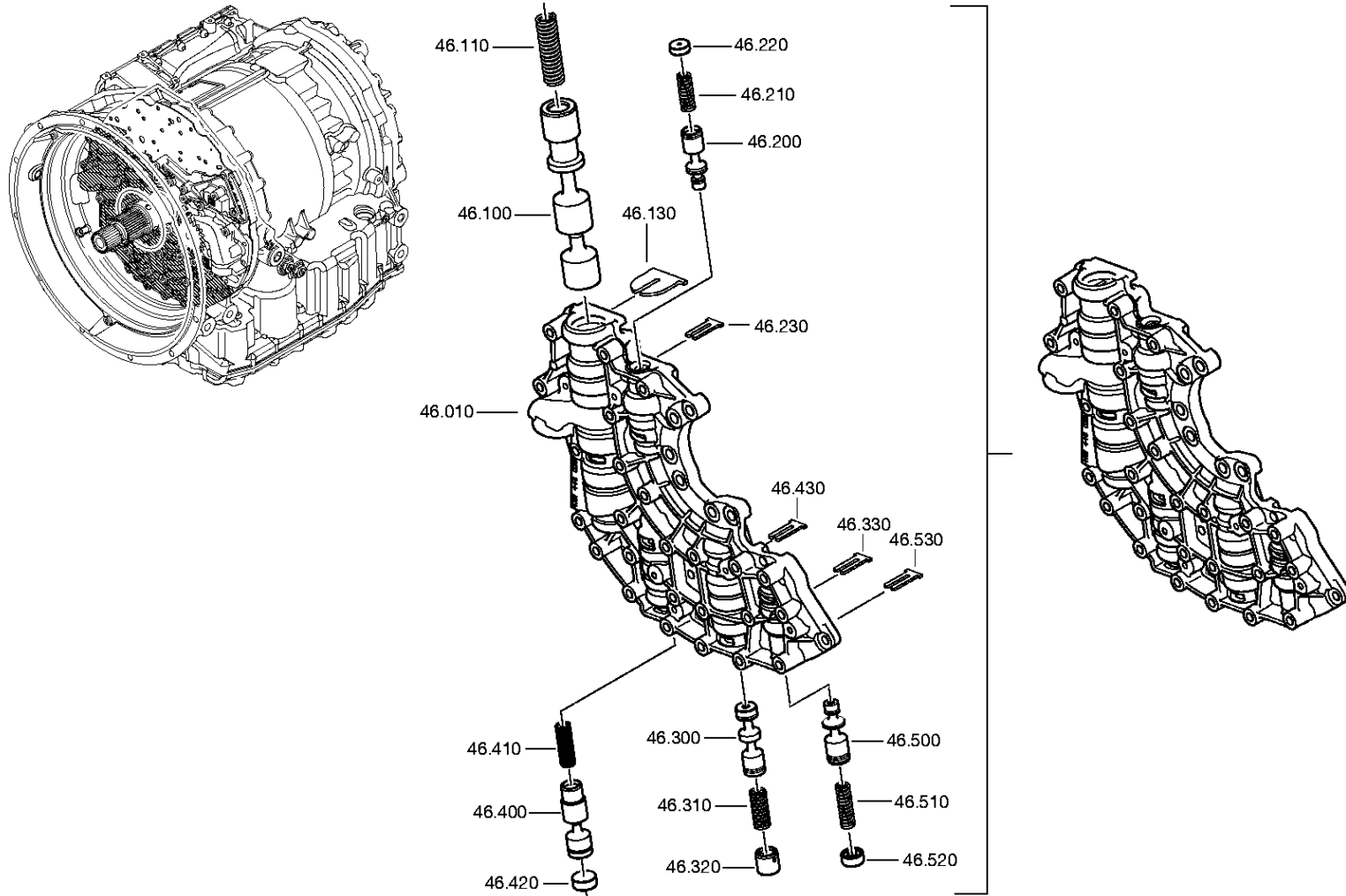
Material number: 4181.020.255

Picture: 130.46.01-1

Material-assembly-group-no: 4181.146.005



6 AP 1200 B /  
VALVE HOUSING





# Picture

Page 1 from 2

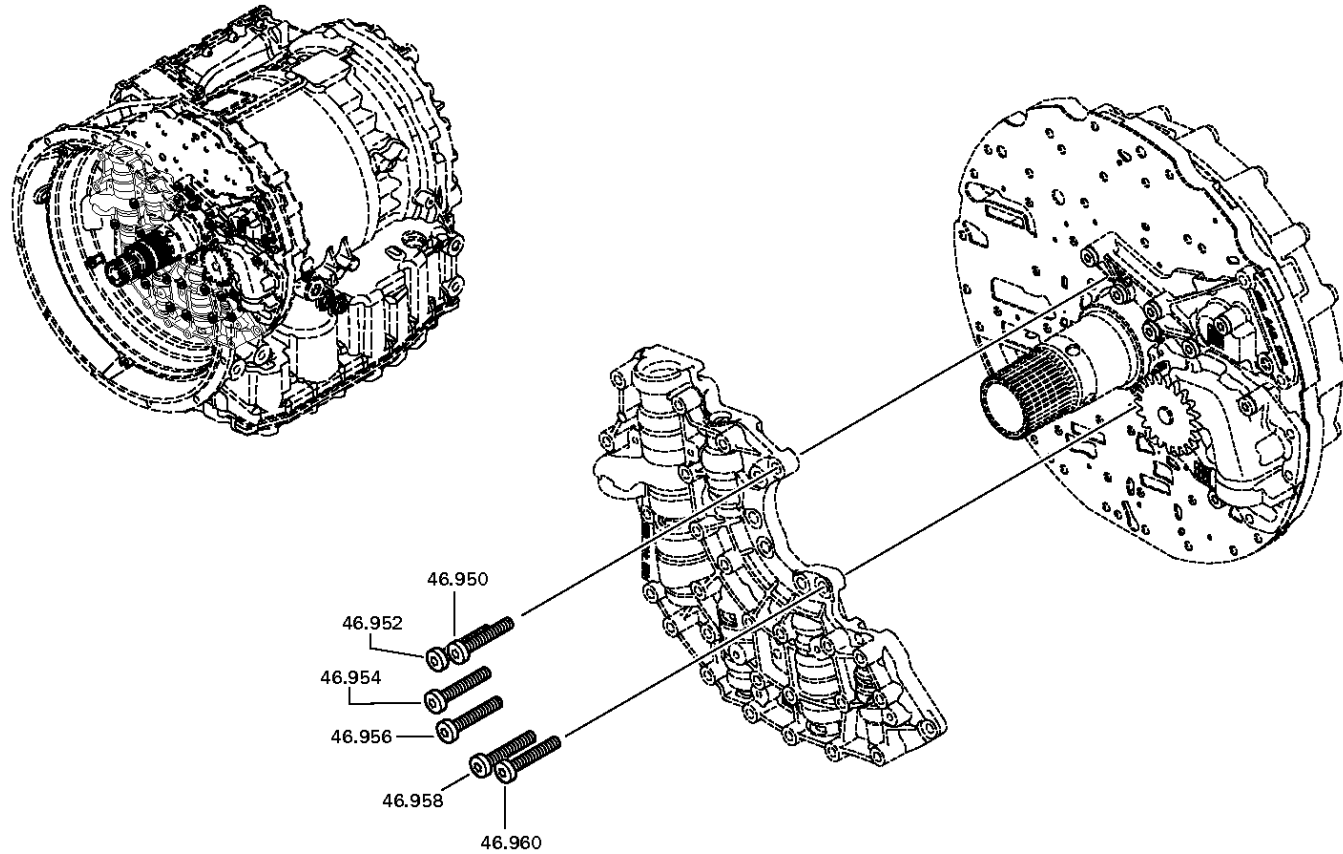
Material number: 4181.020.255

Picture: 130.46.80-1

Material-assembly-group-no: 4181.146.802



6 AP 1200 B /  
VALVE HOUSING



# Picture

Page 2 from 2

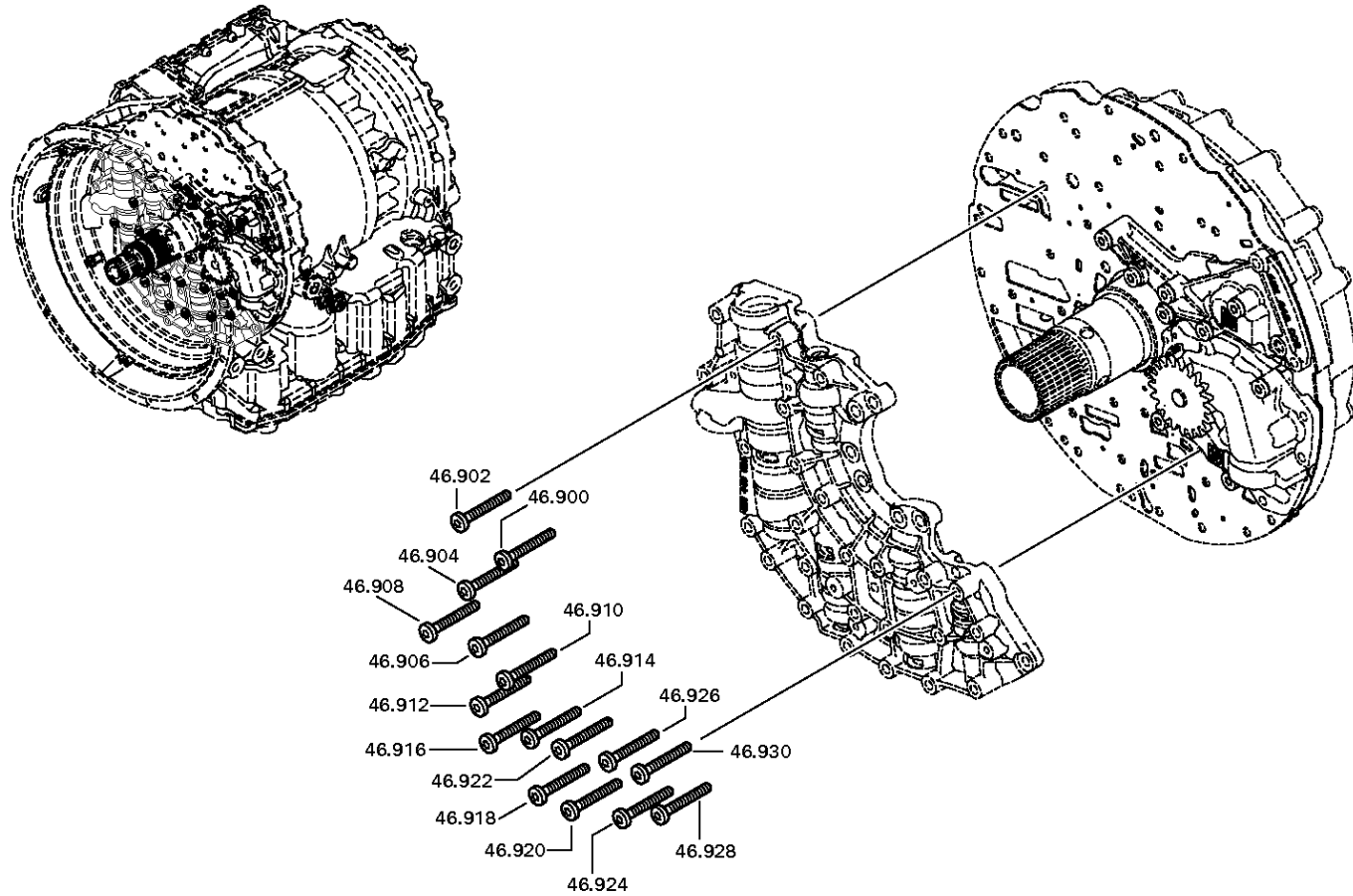
Material number: 4181.020.255

Picture: 130.46.80-2

Material-assembly-group-no: 4181.146.802



6 AP 1200 B /  
VALVE HOUSING



# Picture

Page 1 from 1

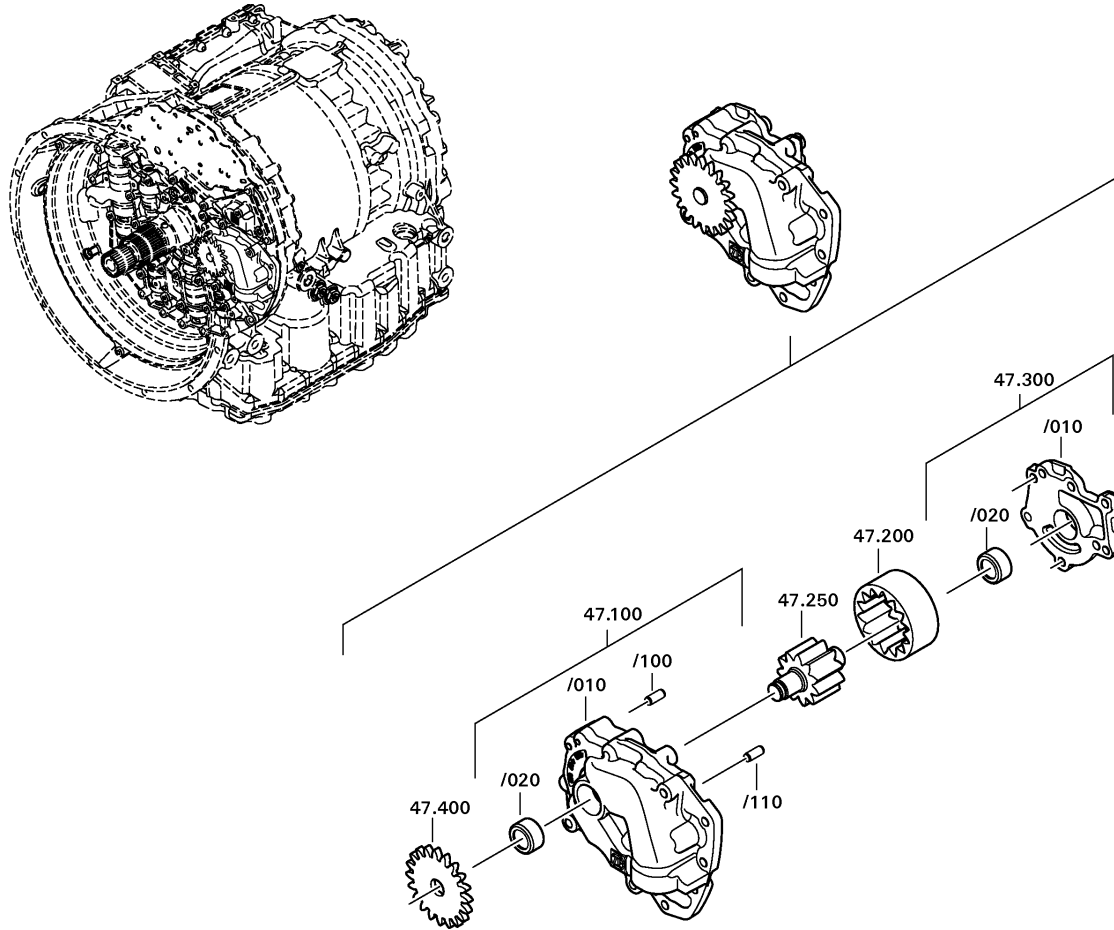
Material number: 4181.020.255

Picture: 130.47.01-1

Material-assembly-group-no: 4181.147.007



6 AP 1200 B /  
PRIMARY PUMP



# Picture

Page 1 from 1

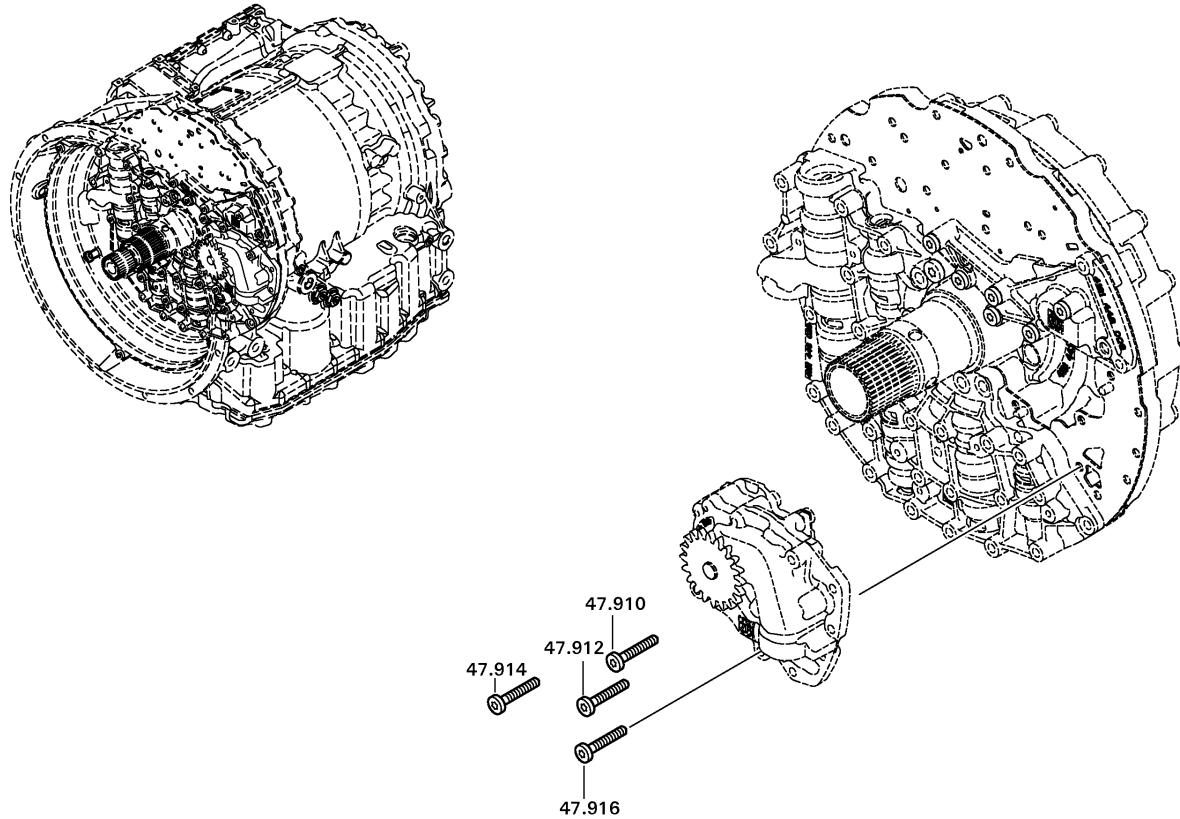
Material number: 4181.020.255

Picture: 130.47.50-1

Material-assembly-group-no: 4181.147.802



6 AP 1200 B /  
PUMP



# Picture

Page 1 from 1

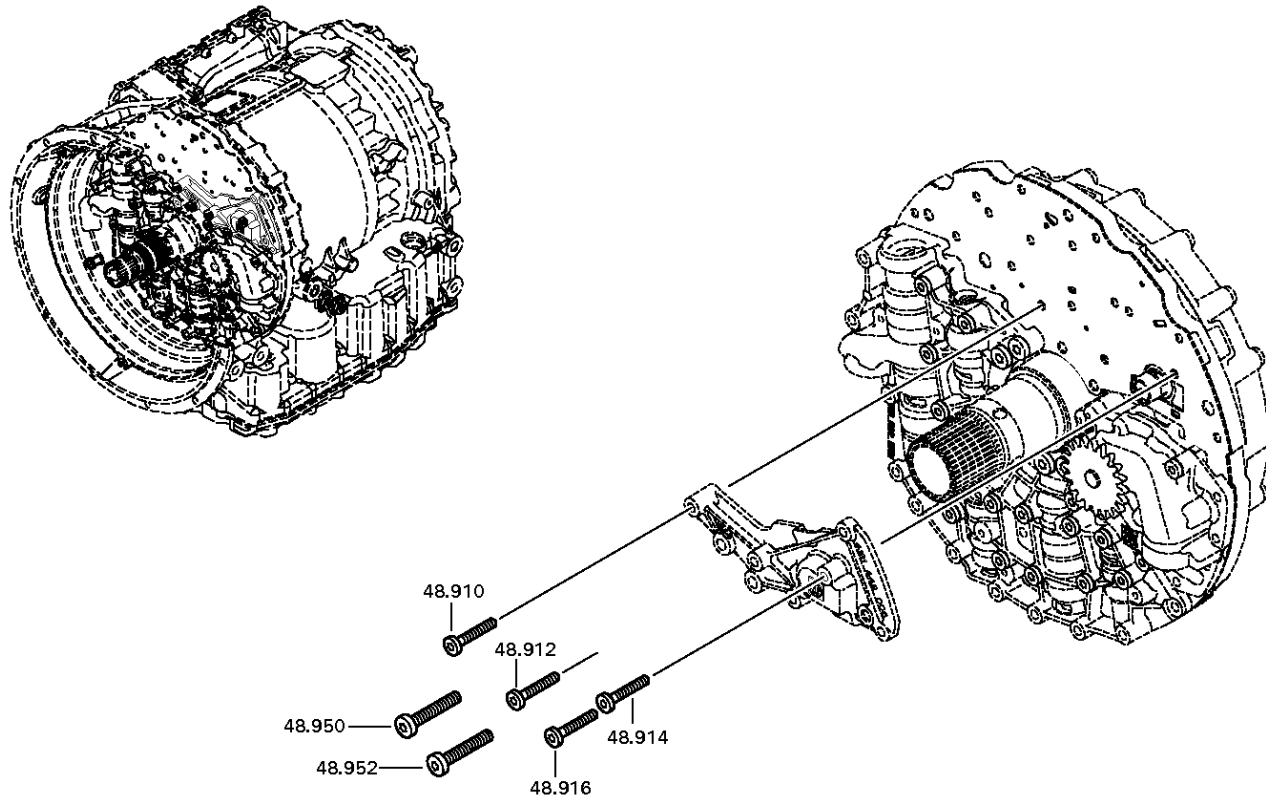
Material number: 4181.020.255

Picture: 130.49.80-1

Material-assembly-group-no: 4181.148.801



6 AP 1200 B /  
SUPPORTING PLATE



# Picture

Page 1 from 1

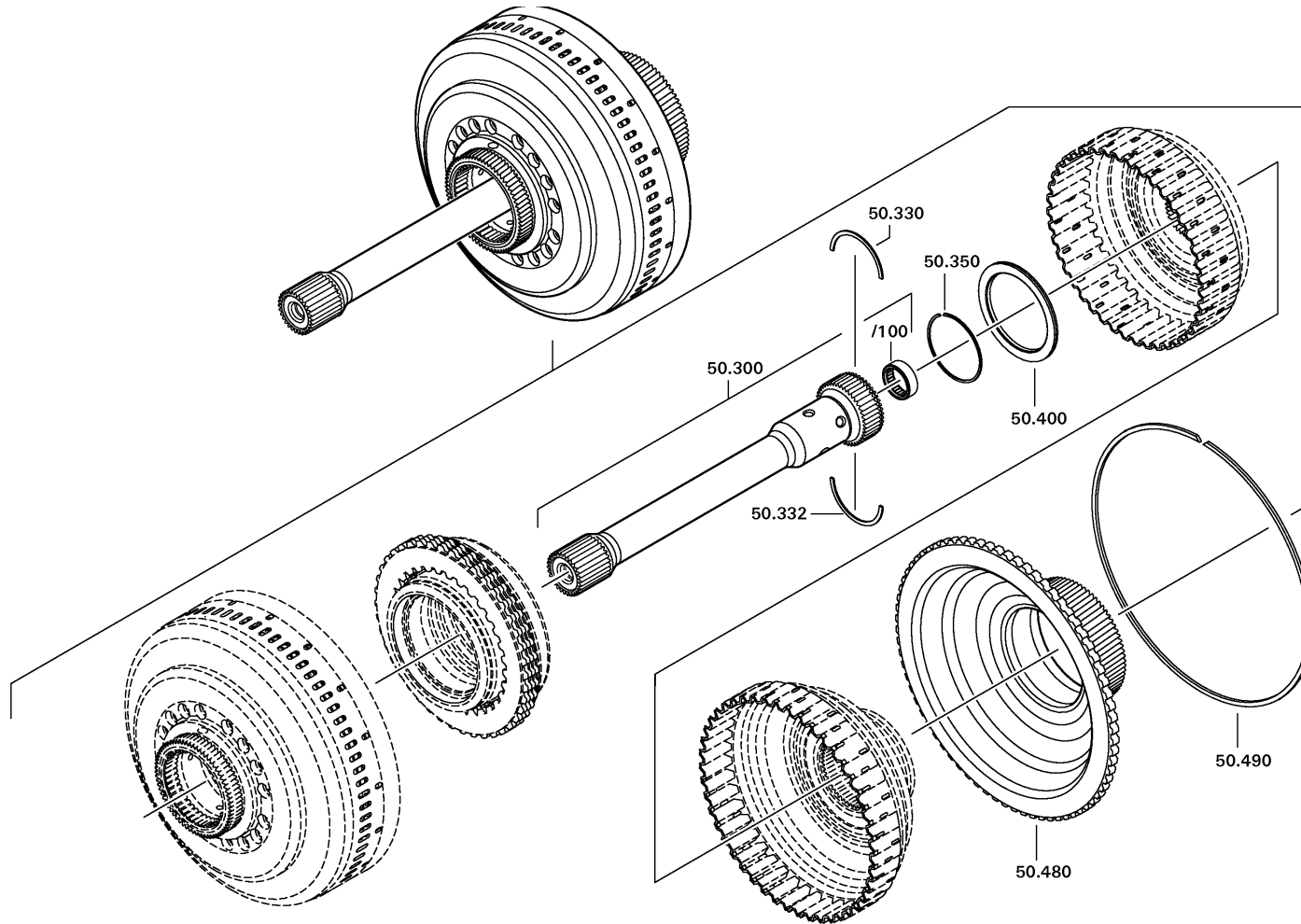
Material number: 4181.020.255

Picture: 130.50.01-1

Material-assembly-group-no: 4181.150.052



6 AP 1200 B /  
CLUTCH UNIT A+B



# Picture

Page 1 from 2

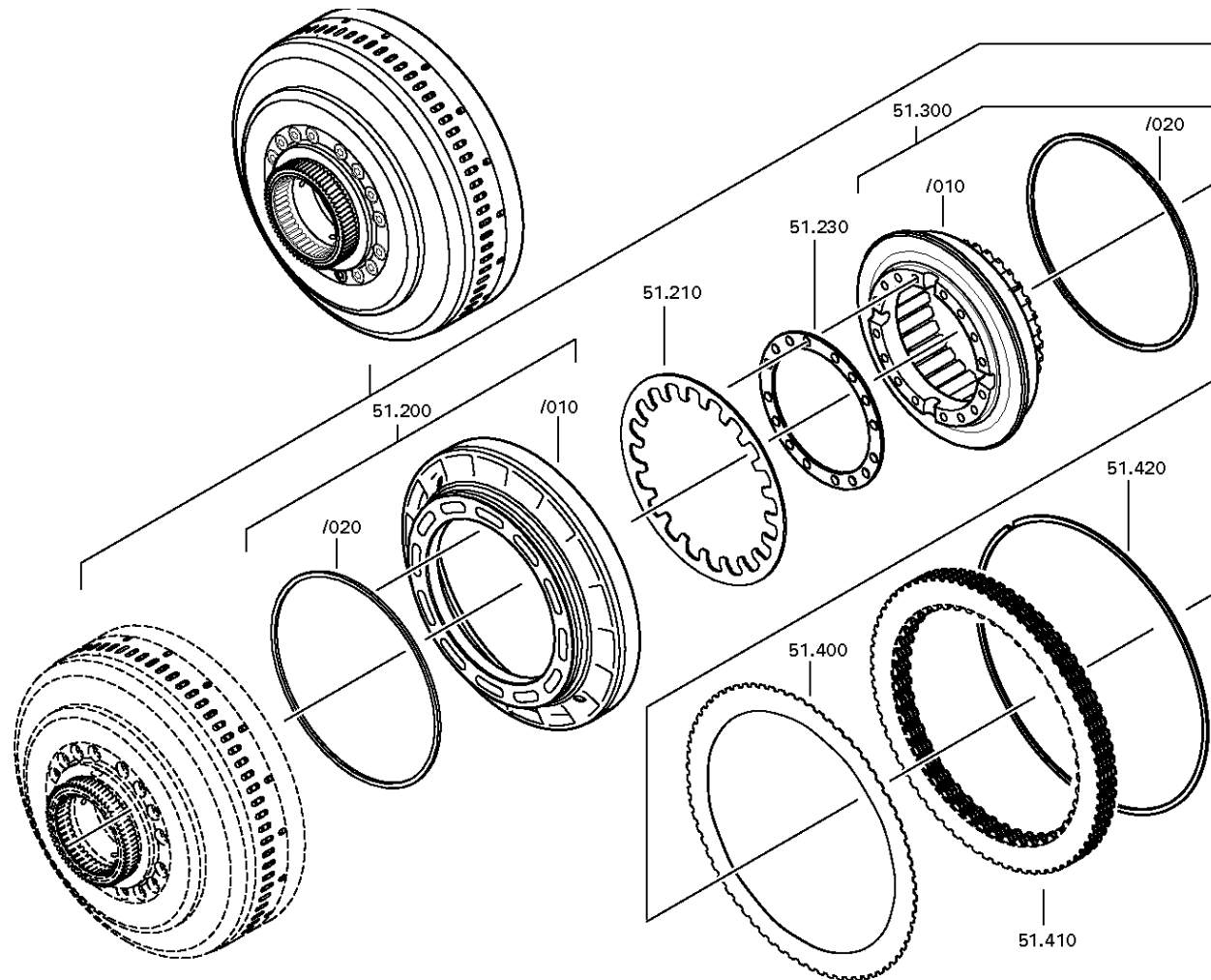
Material number: 4181.020.255

Picture: 130.51.01-1

Material-assembly-group-no: 4181.151.052



6 AP 1200 B /  
COUPLING B



# Picture

Page 2 from 2

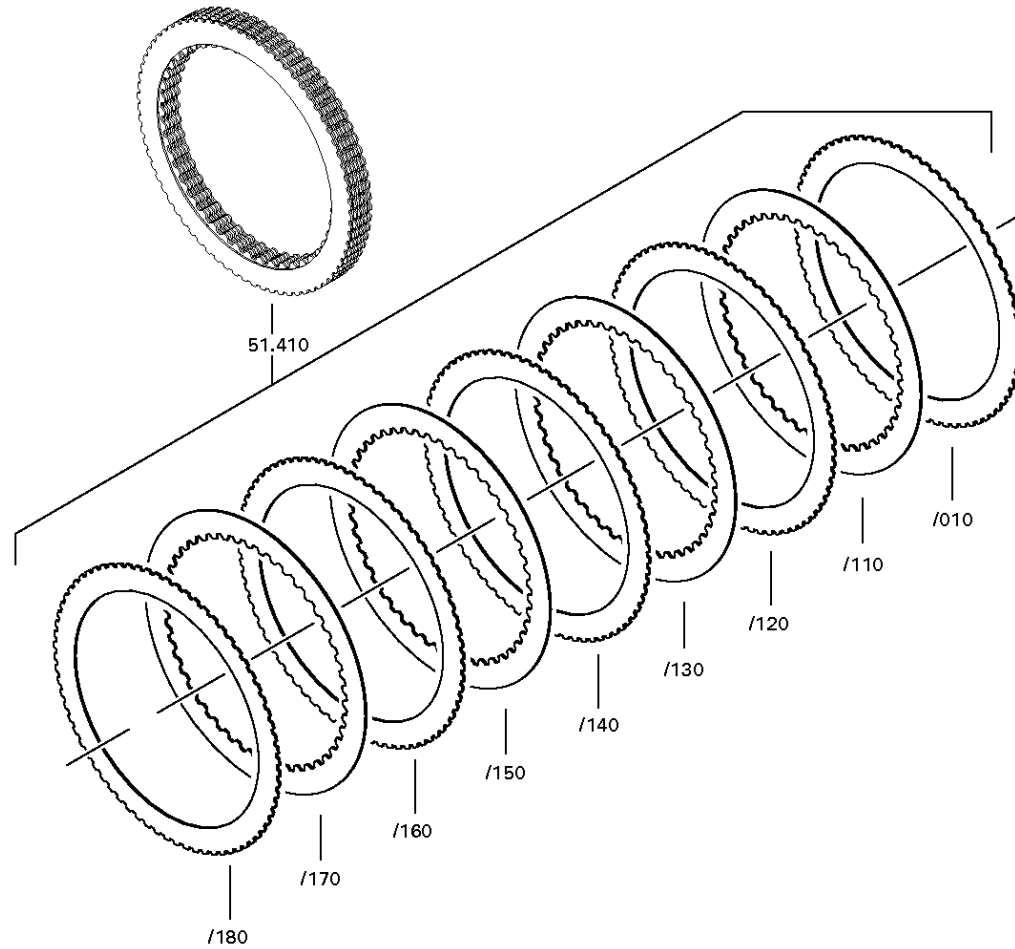
Material number: 4181.020.255

Picture: 130.51.01-2

Material-assembly-group-no: 4181.151.052



6 AP 1200 B /  
COUPLING B





# Picture

Page 1 from 1

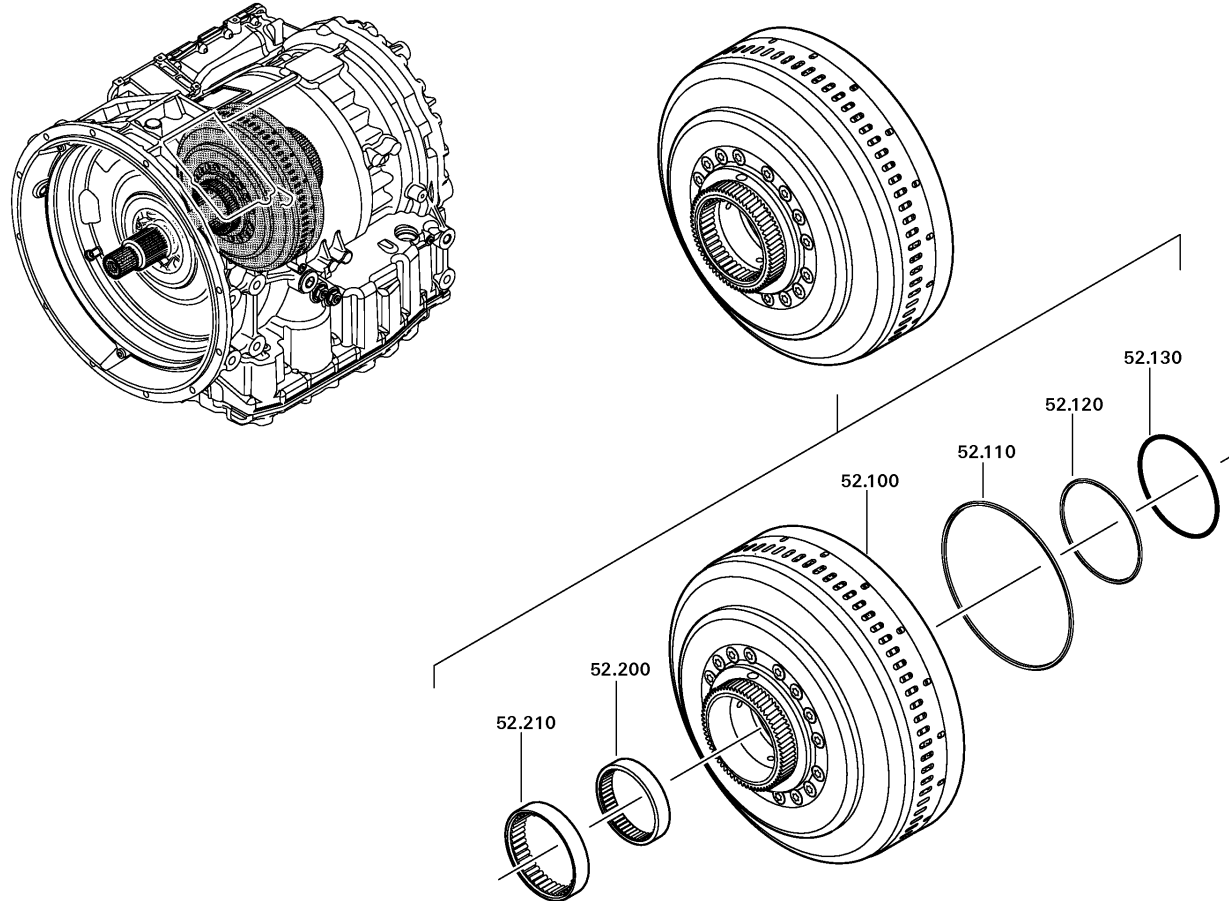
Material number: 4181.020.255

Picture: 130.052.001-1

Material-assembly-group-no: 4181.152.007



6 AP 1200 B /  
HUB



# Picture

Page 1 from 1

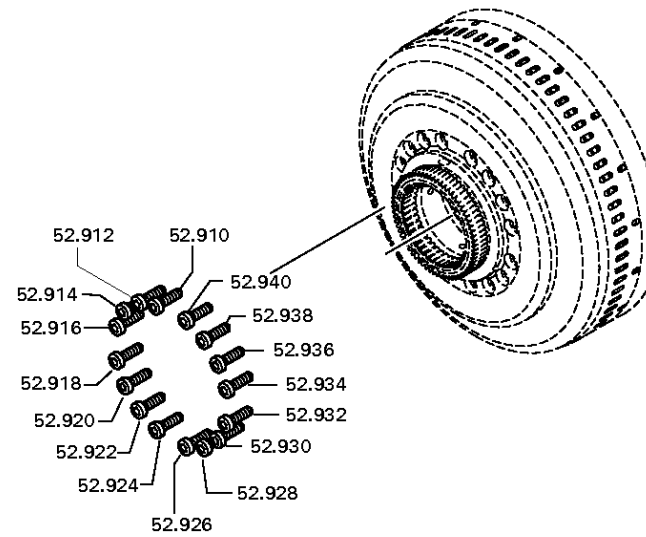
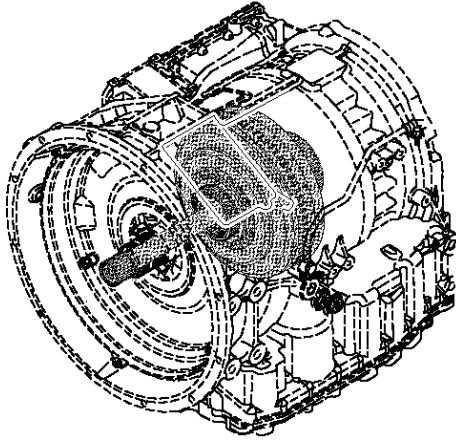
Material number: 4181.020.255

Picture: 130.52.80-1

Material-assembly-group-no: 4181.152.804



6 AP 1200 B /  
OIL DAM



# Picture

Page 1 from 2

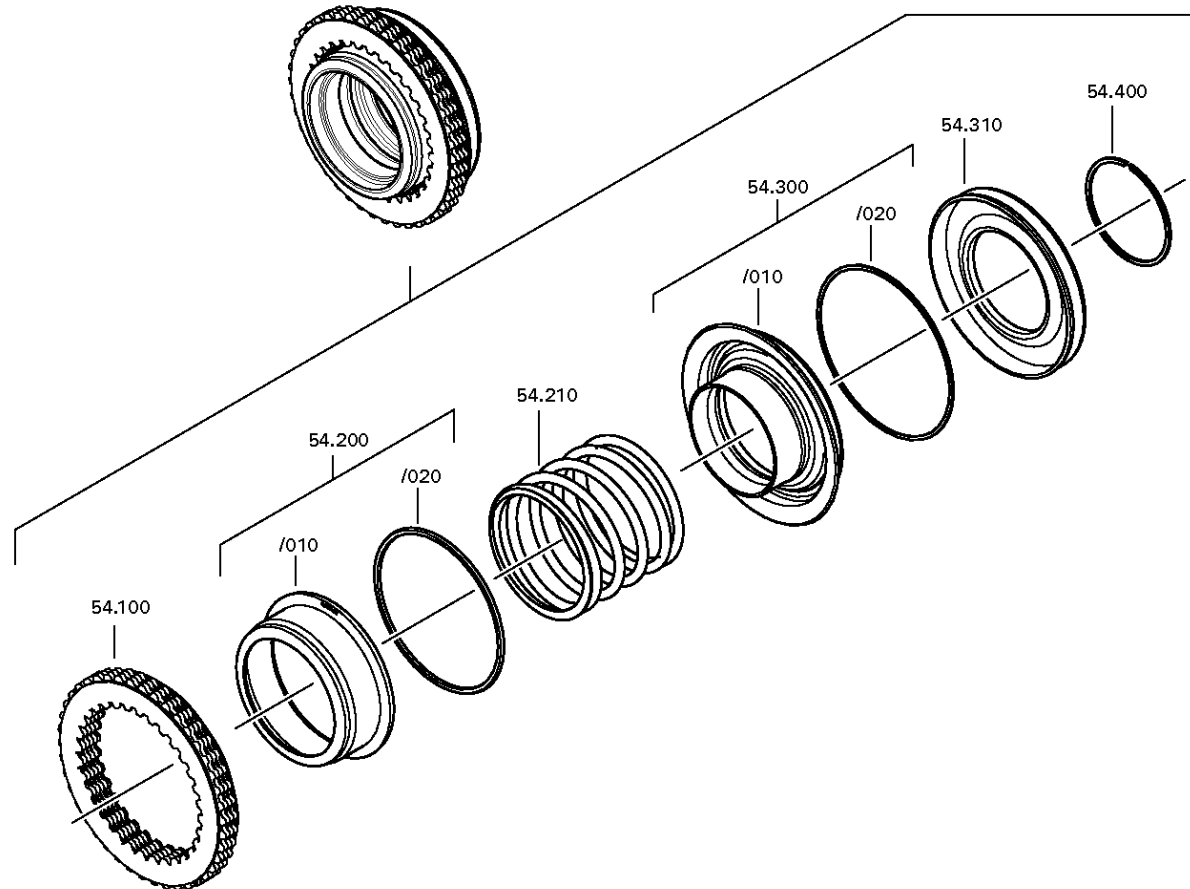
Material number: 4181.020.255

Picture: 130.54.11-1

Material-assembly-group-no: 4181.154.030



6 AP 1200 B /  
COUPLING A



# Picture

Page 2 from 2

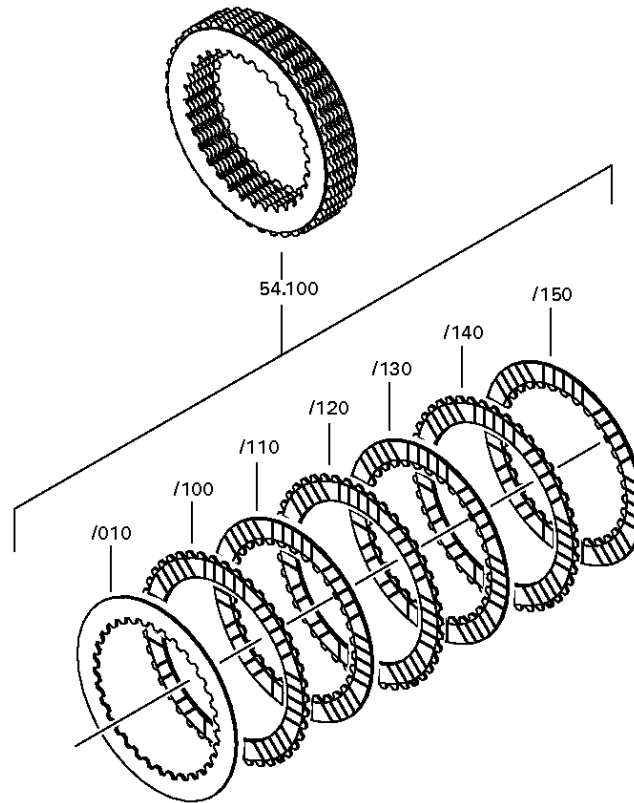
Material number: 4181.020.255

Picture: 130.54.11-2

Material-assembly-group-no: 4181.154.030



6 AP 1200 B /  
COUPLING A



# Picture

Page 1 from 1

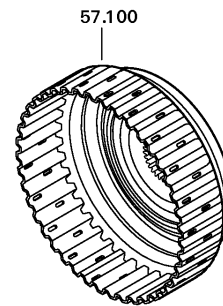
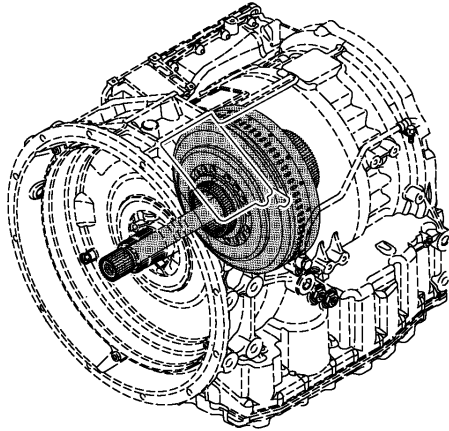
Material number: 4181.020.255

Picture: 130.57.01-1

Material-assembly-group-no: 4181.157.002



6 AP 1200 B /  
INPUT SHAFT



# Picture

Page 1 from 1

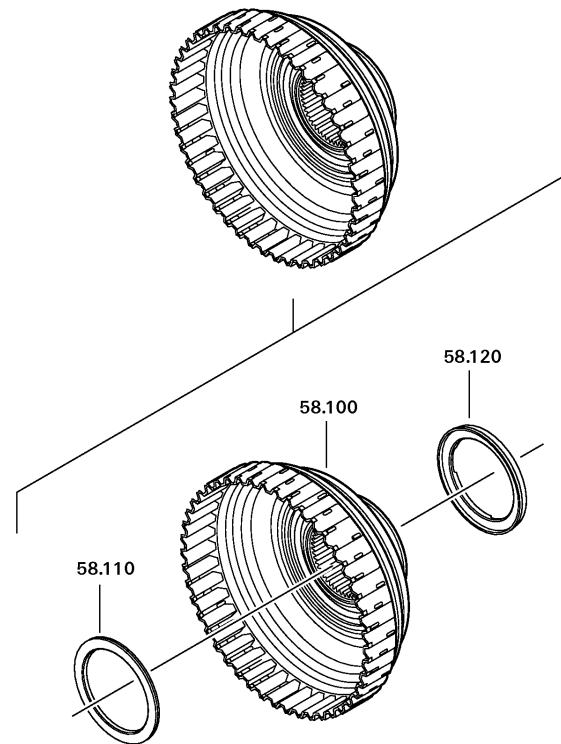
Material number: 4181.020.255

Picture: 130.58.01-1

Material-assembly-group-no: 4181.158.006



6 AP 1200 B /  
QUILL SHAFT



# Picture

Page 1 from 1

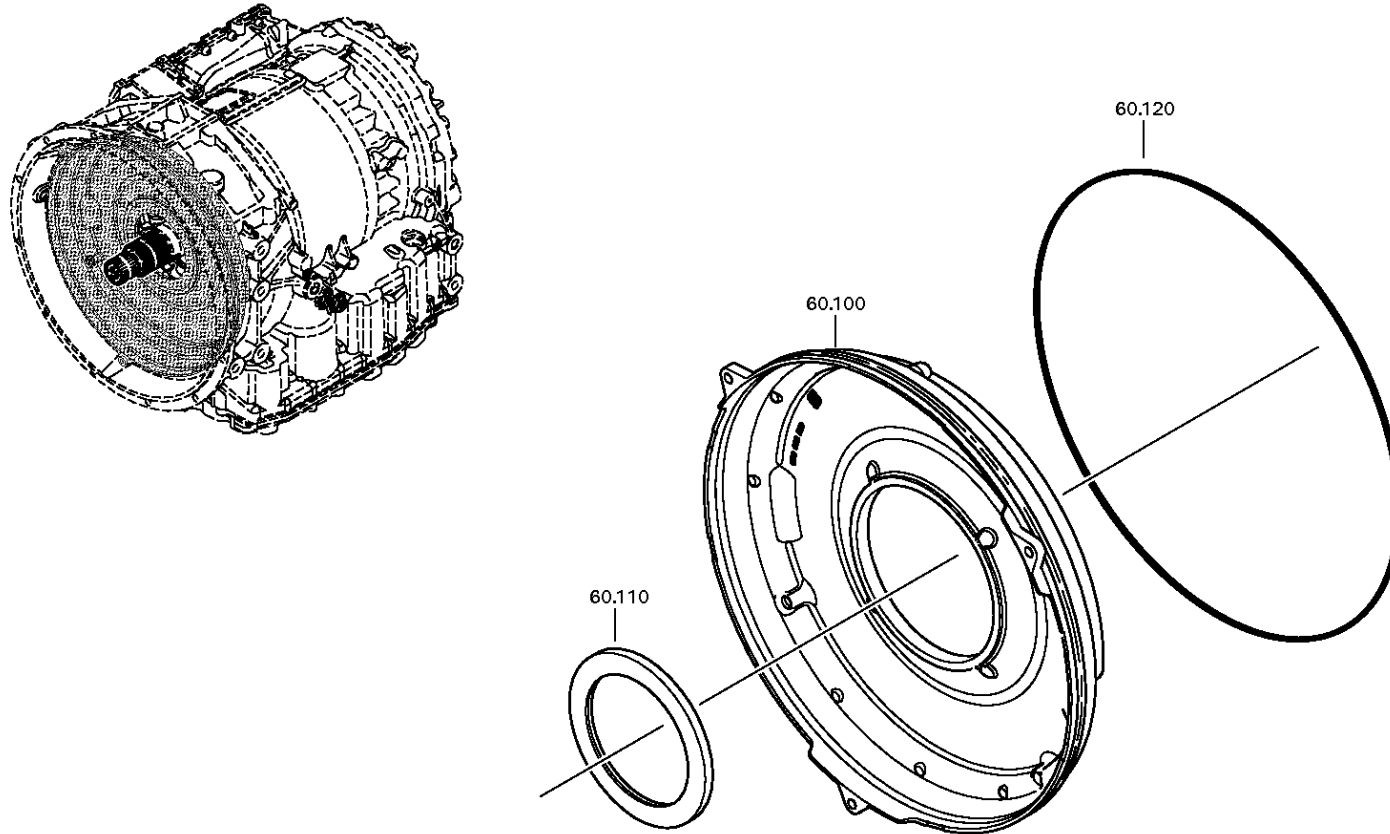
Material number: 4181.020.255

Picture: 130.60.02-1

Material-assembly-group-no: 4181.160.050



6 AP 1200 B /  
COVER PLATE



# Picture

Page 1 from 1

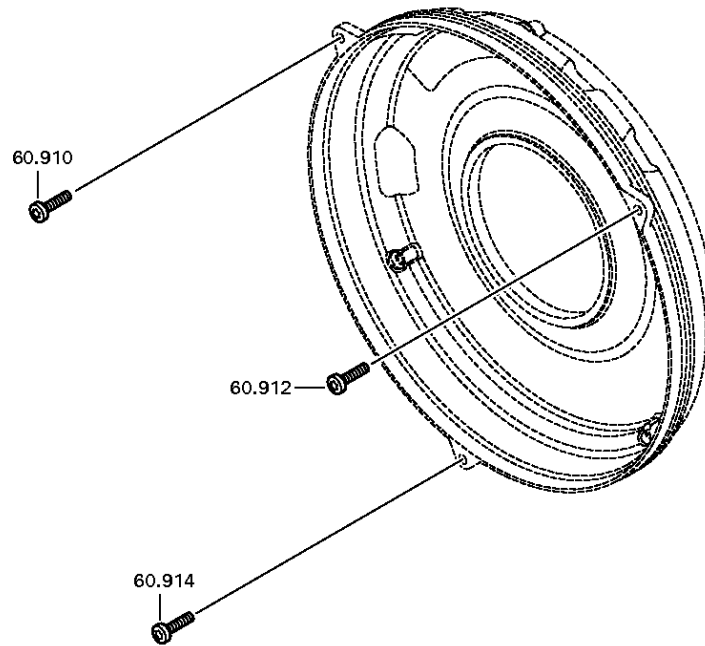
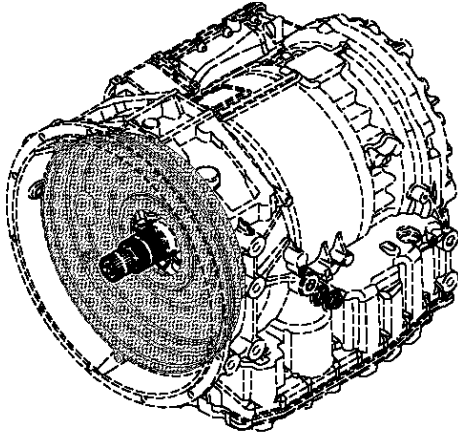
Material number: 4181.020.255

Picture: 130.60.80-1

Material-assembly-group-no: 4181.160.801



6 AP 1200 B /  
COVER PLATE





# Picture

Page 1 from 1

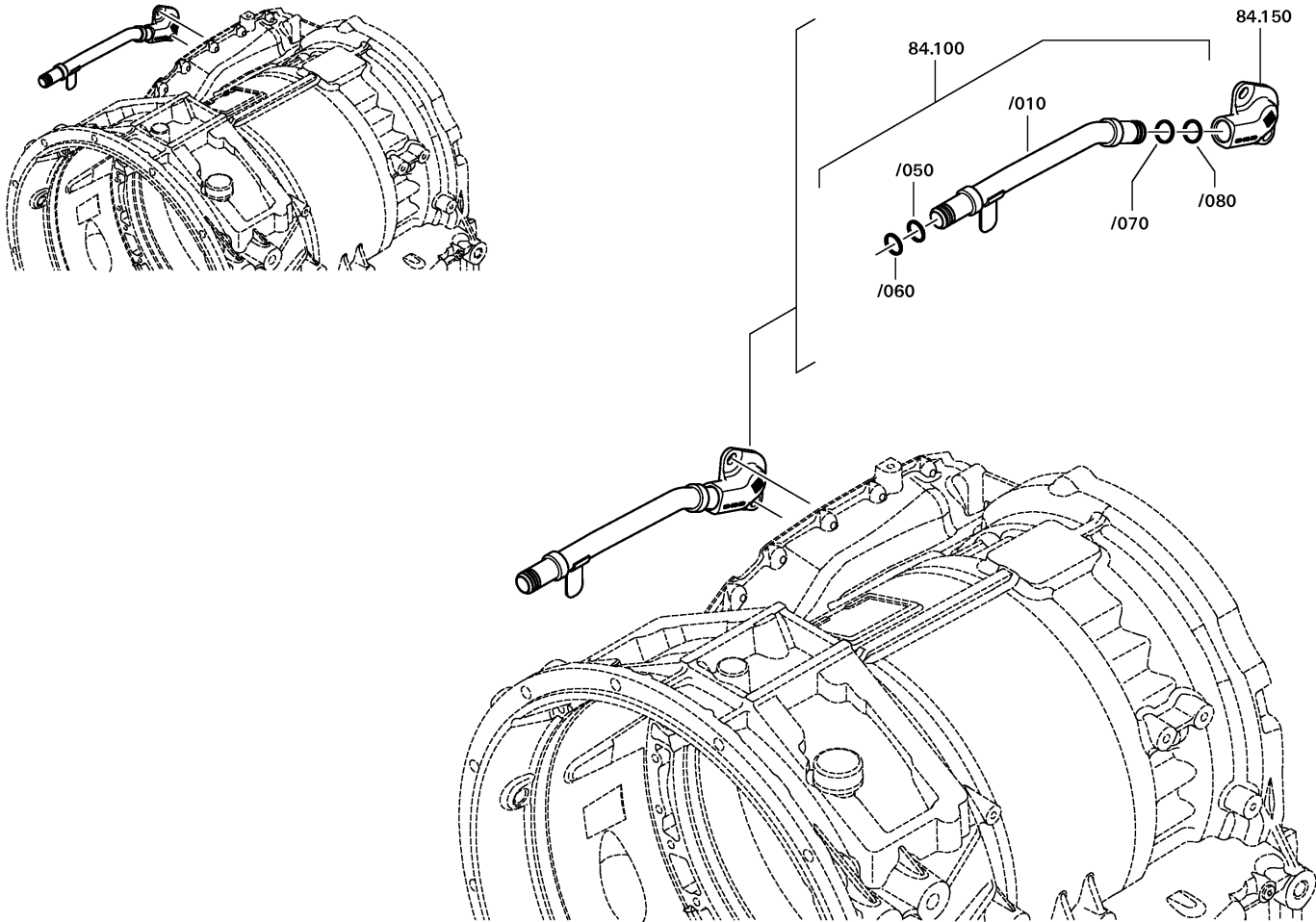
Material number: 4181.020.255

Picture: 130.068.002-1

Material-assembly-group-no: 4181.184.050



6 AP 1200 B /  
OIL TUBE



# Picture

Page 1 from 1

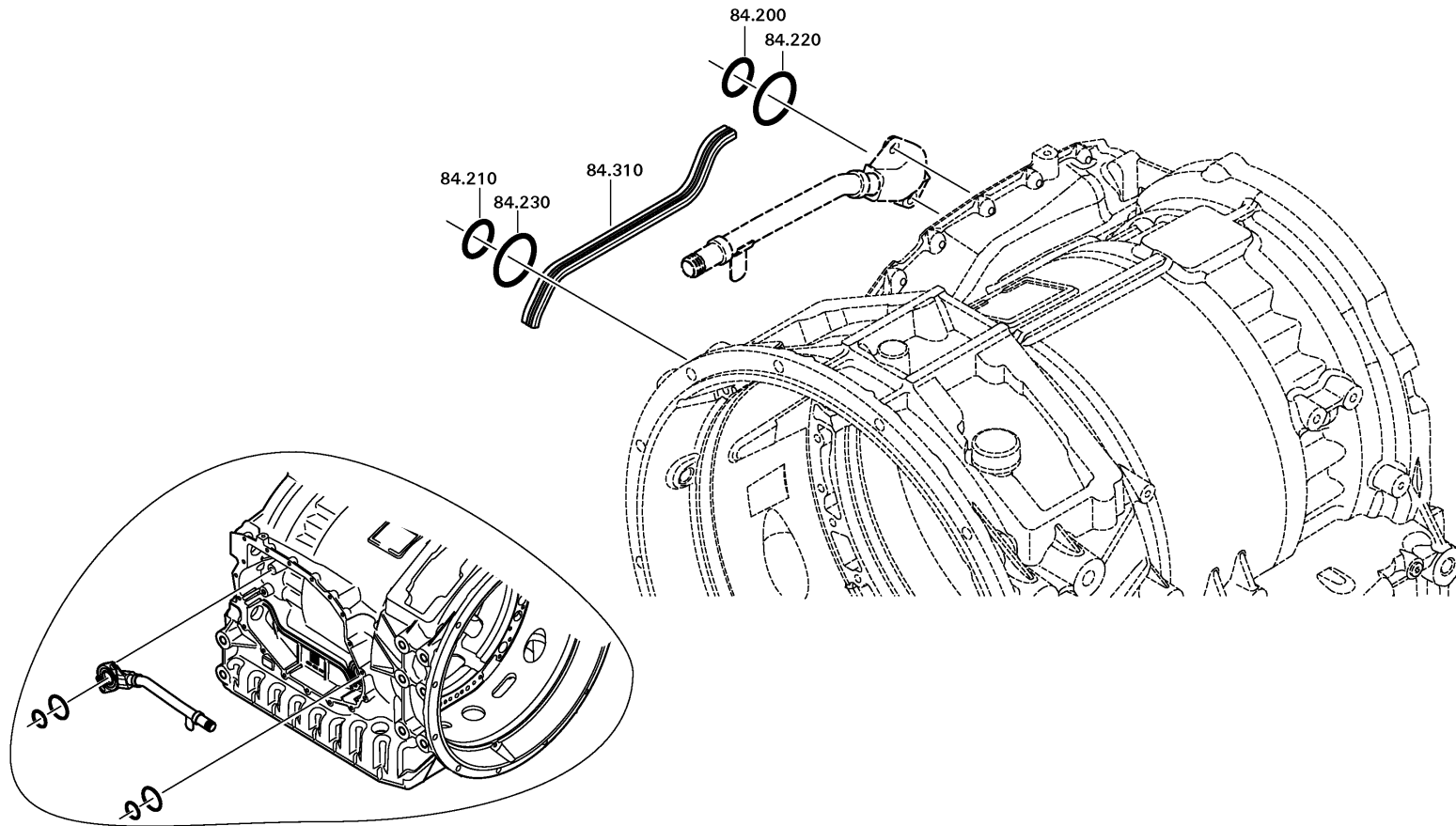
Material number: 4181.020.255

Picture: 130.68.82-1

Material-assembly-group-no: 4181.184.851



6 AP 1200 B /  
HEAT EXCHANGER



# Picture

Page 1 from 1

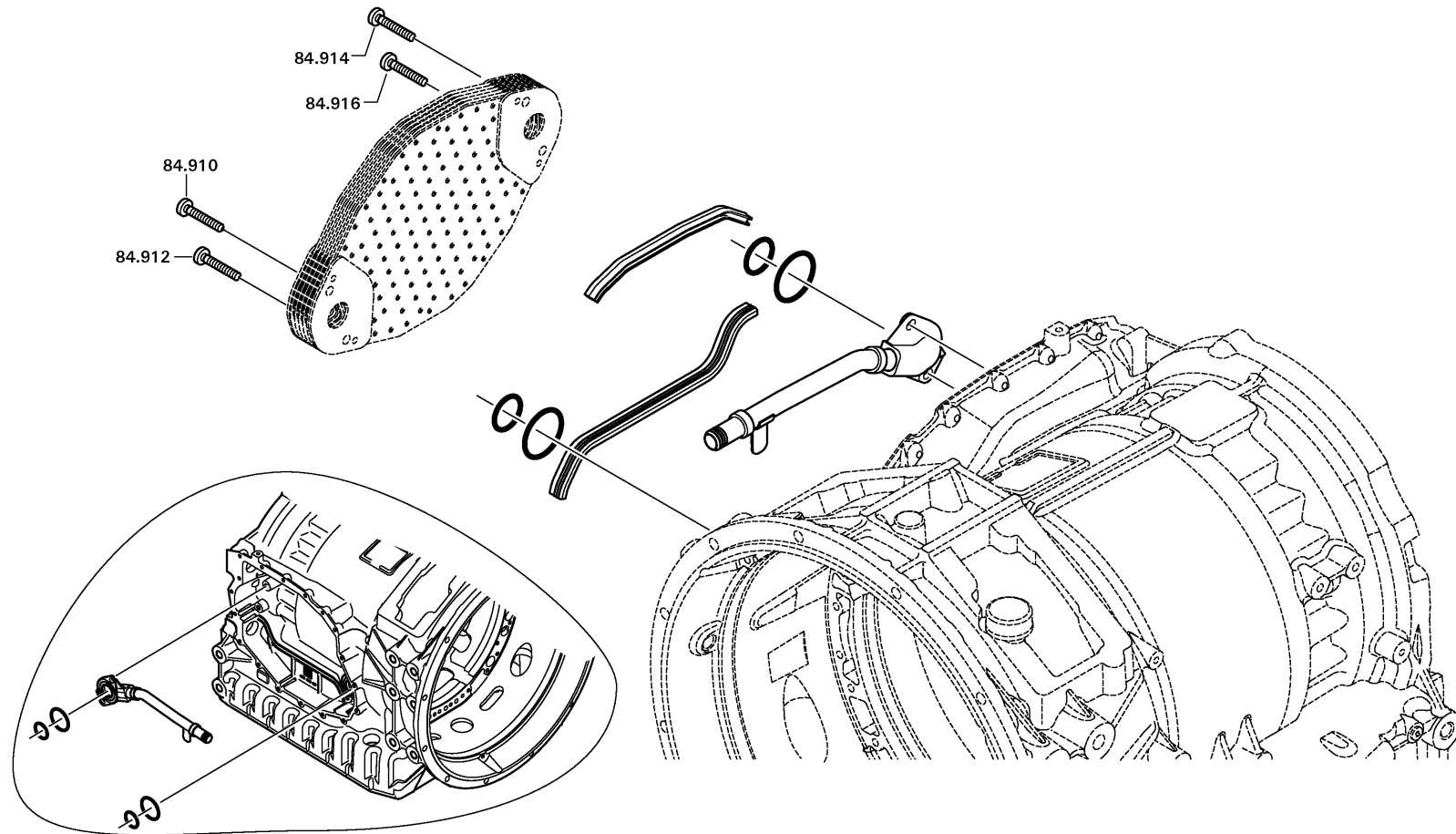
Material number: 4181.020.255

Picture: 130.68.81-1

Material-assembly-group-no: 4181.184.801



6 AP 1200 B /  
HEAT EXCHANGER



# Picture

Page 1 from 3

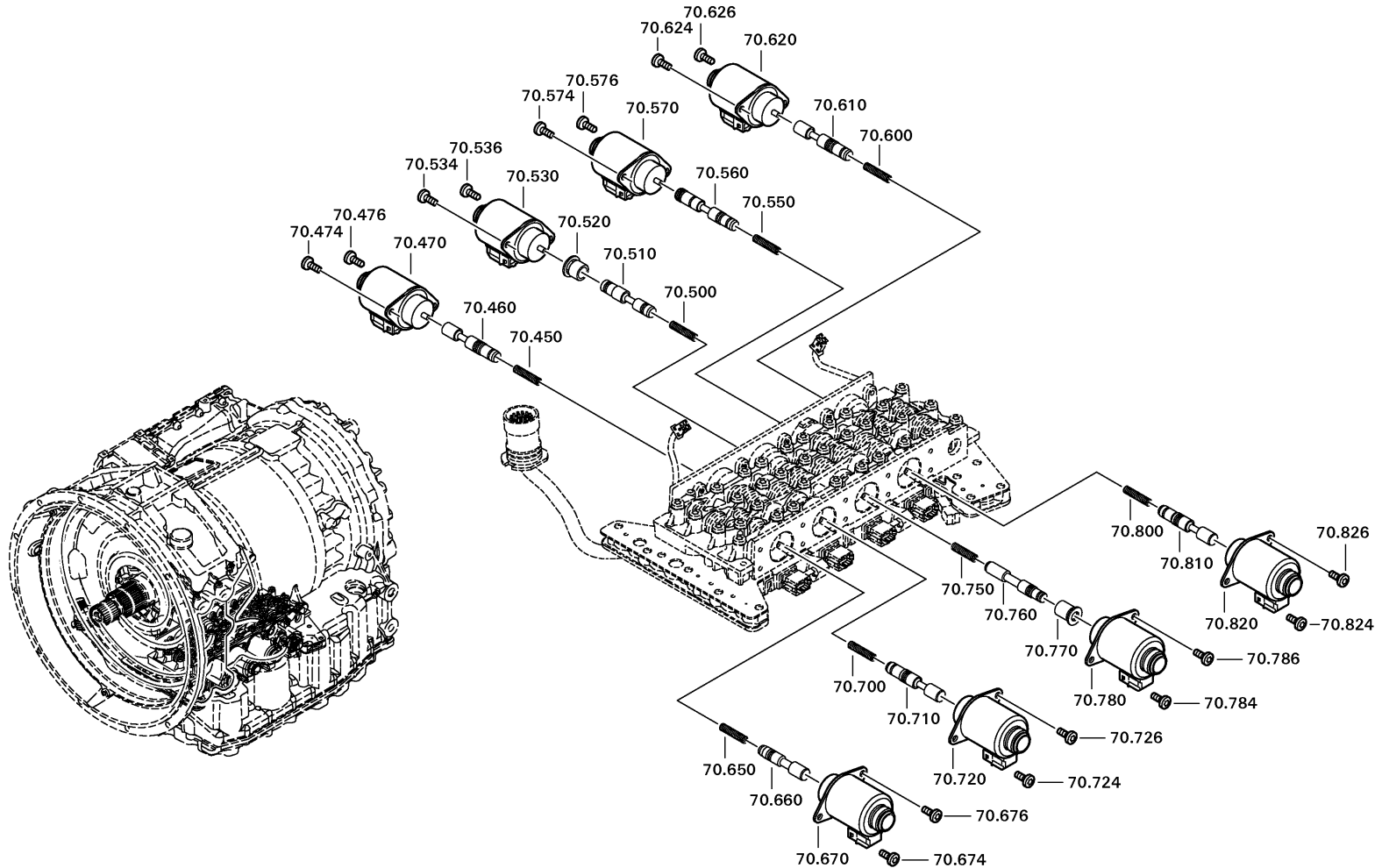
Material number: 4181.020.255

Picture: 130.070.001-1

Material-assembly-group-no: 4181.170.016



6 AP 1200 B /  
SHIFT CONTROL



# Picture

Page 2 from 3

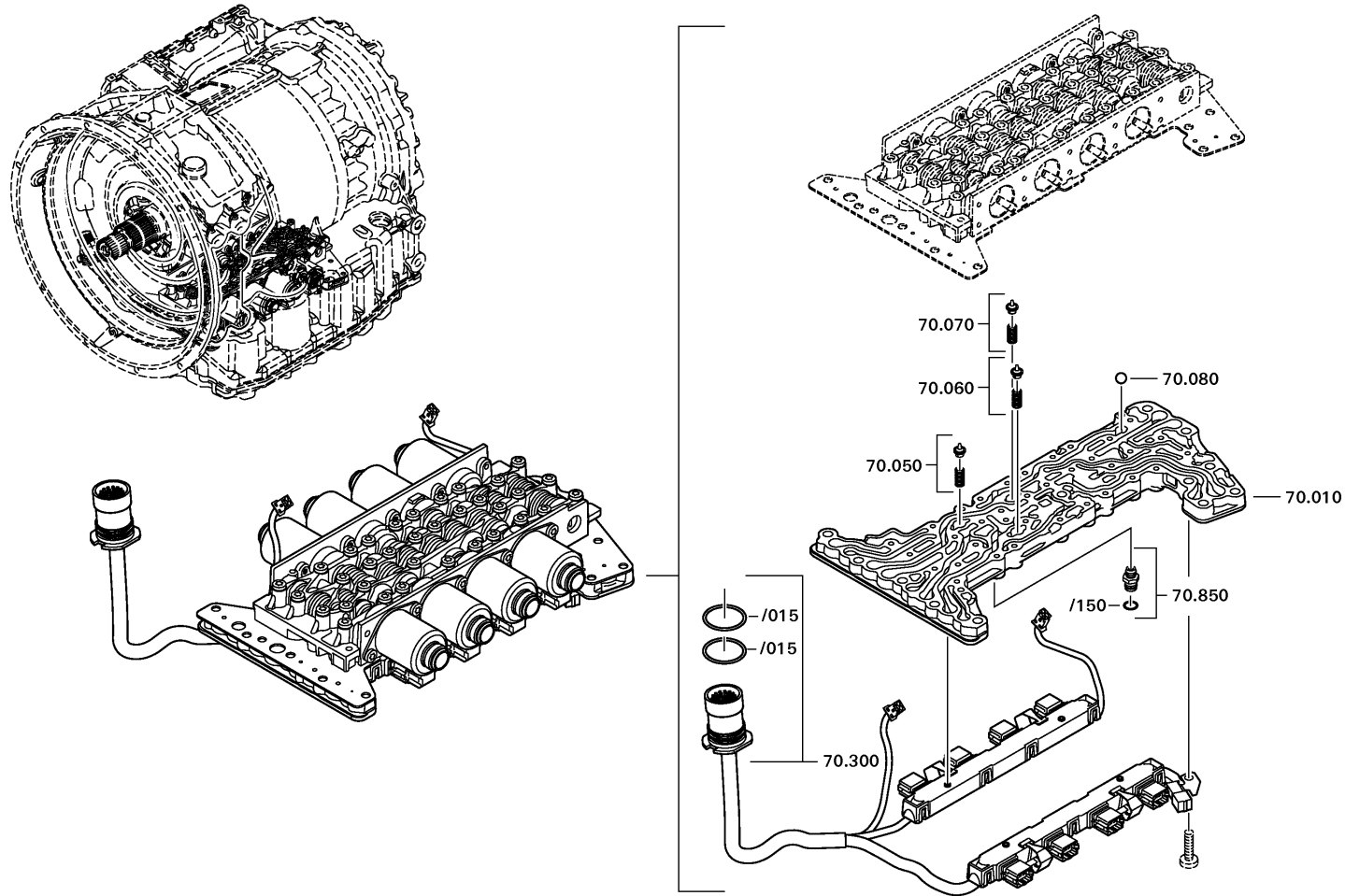
Material number: 4181.020.255

Picture: 130.070.001-2

Material-assembly-group-no: 4181.170.016



6 AP 1200 B /  
SHIFT CONTROL



# Picture

Page 3 from 3

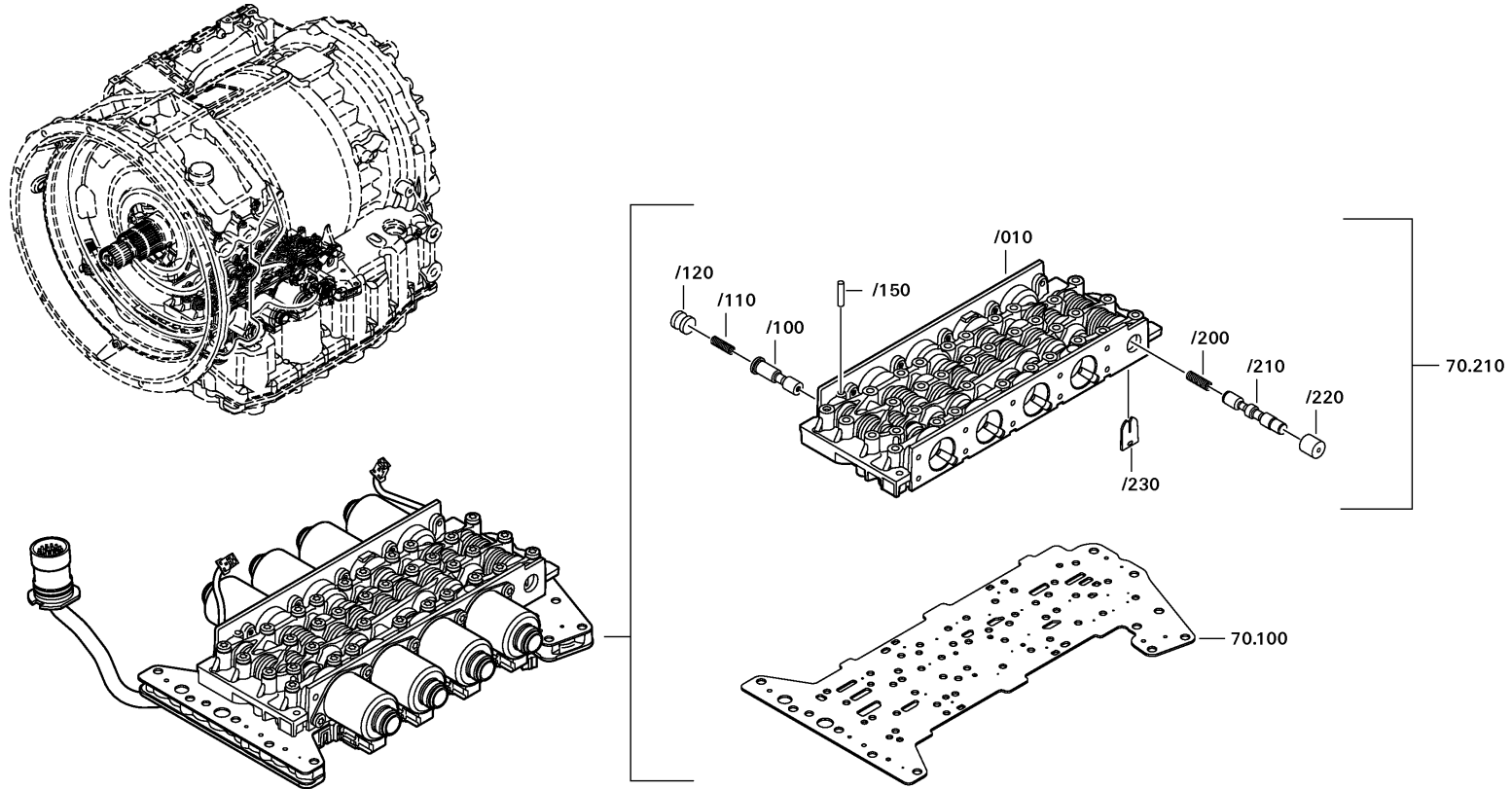
Material number: 4181.020.255

Picture: 130.070.001-3

Material-assembly-group-no: 4181.170.016



6 AP 1200 B /  
SHIFT CONTROL



# Picture

Page 1 from 1

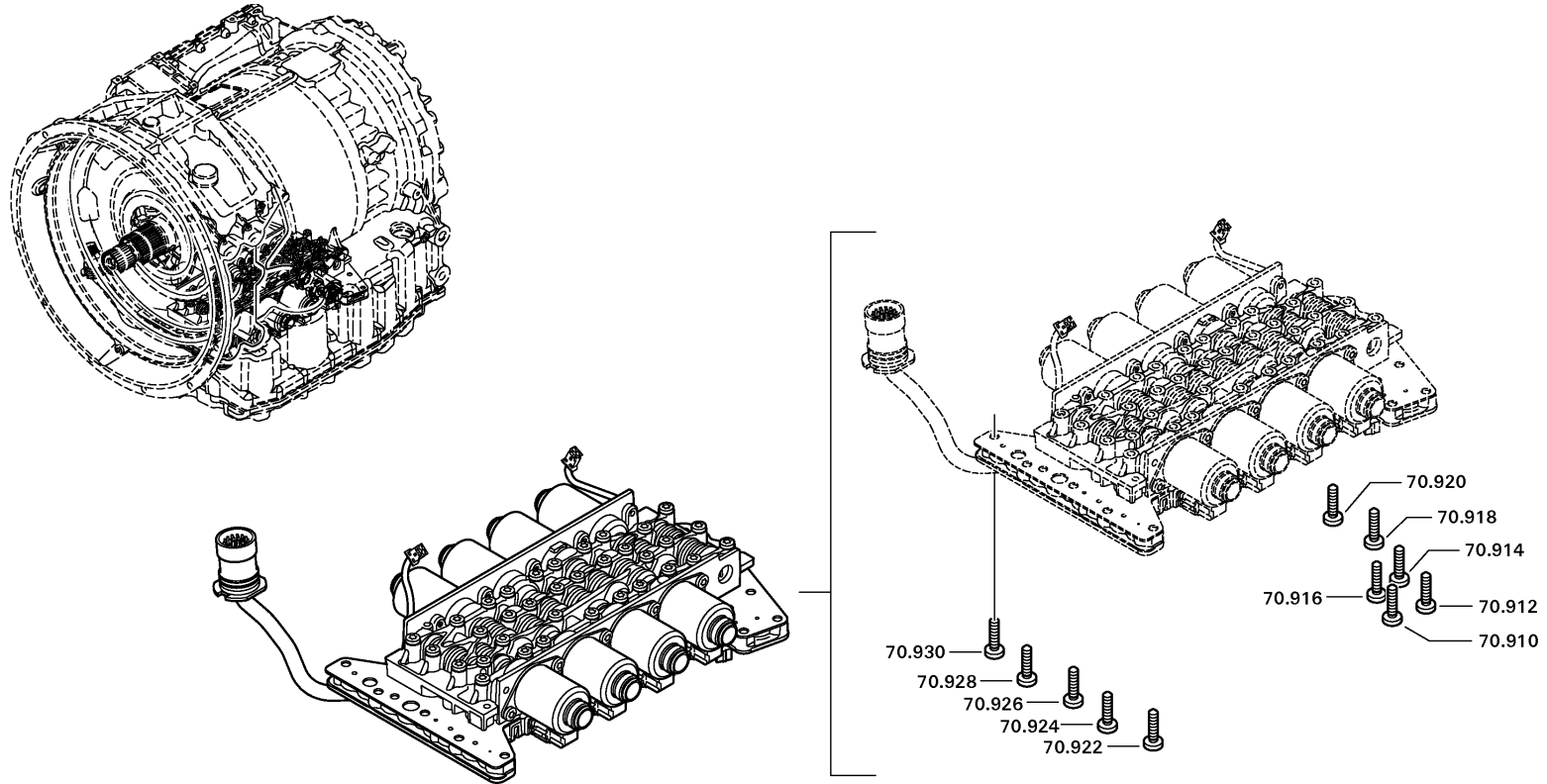
Material number: 4181.020.255

Picture: 130.70.81-1

Material-assembly-group-no: 4181.170.804



6 AP 1200 B /  
SHIFT CONTROL



# Picture

Page 1 from 1

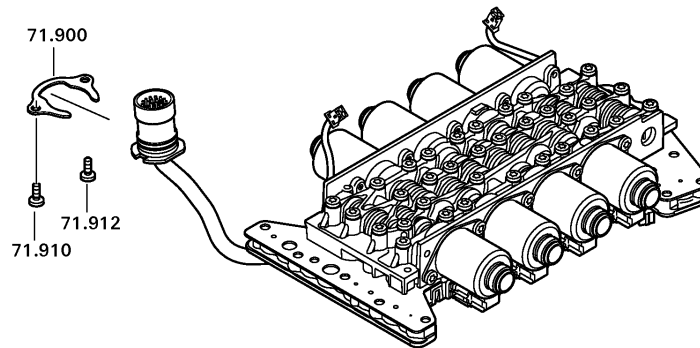
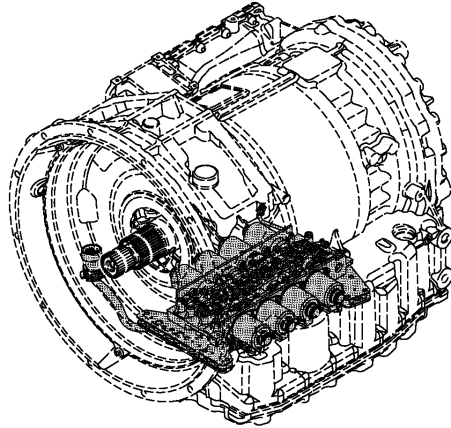
Material number: 4181.020.255

Picture: 130.71.81-1

Material-assembly-group-no: 4181.170.850



6 AP 1200 B /  
WIRING HARNESS





# Picture

Page 1 from 1

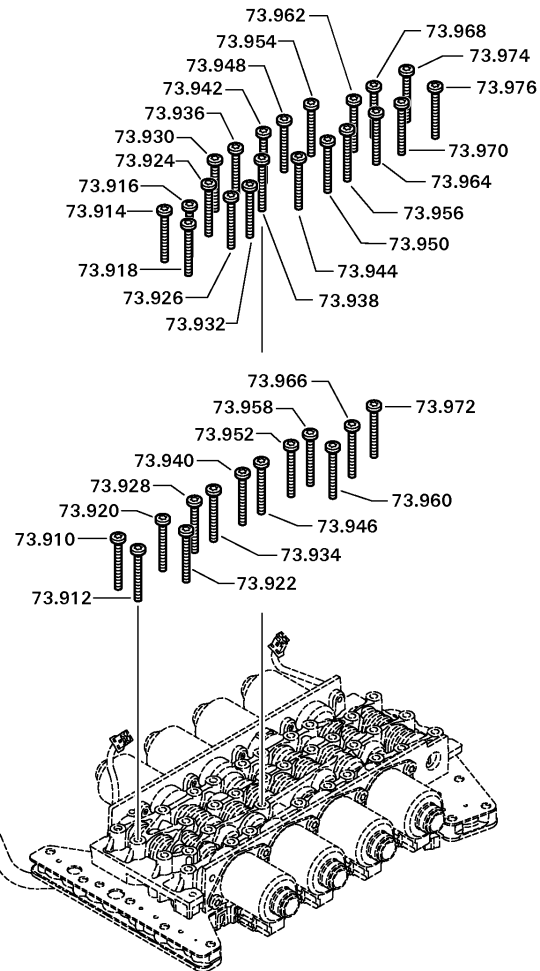
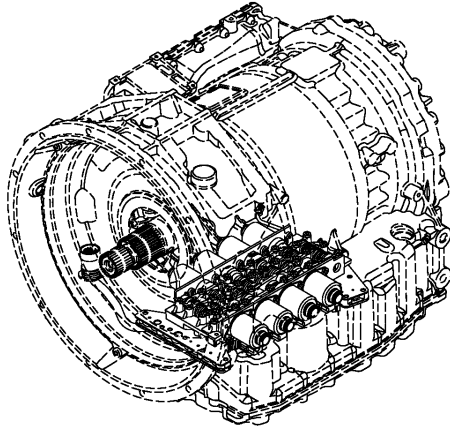
Material number: 4181.020.255

Picture: 130.73.80-1

Material-assembly-group-no: 4181.170.803



6 AP 1200 B /  
VALVE BLOCK



# Picture

Page 1 from 1

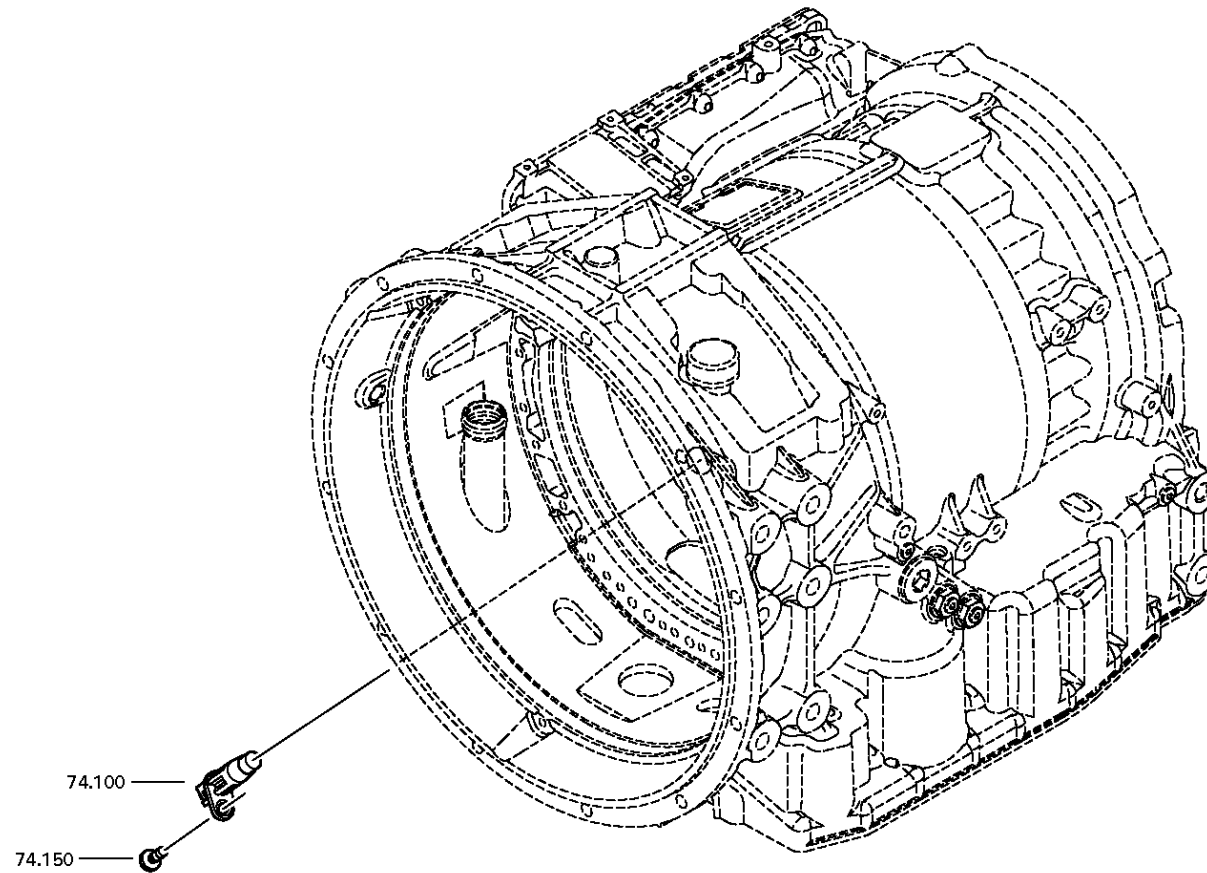
Material number: 4181.020.255

Picture: 130.74.02-1

Material-assembly-group-no: 4181.174.004



6 AP 1200 B /  
POSITION SENSOR



# Picture

Page 1 from 1

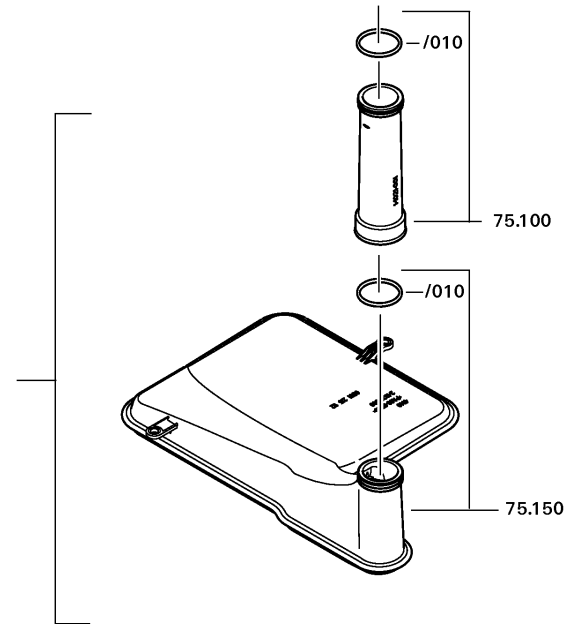
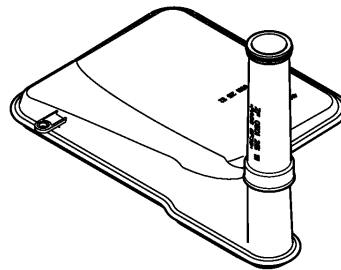
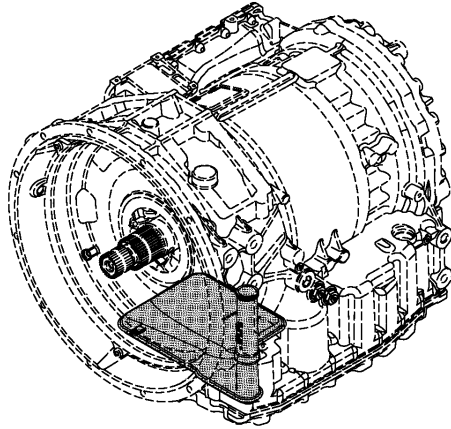
Material number: 4181.020.255

Picture: 130.075.001-1

Material-assembly-group-no: 4181.175.003



6 AP 1200 B /  
SUCTION FILTER



# Picture

Page 1 from 1

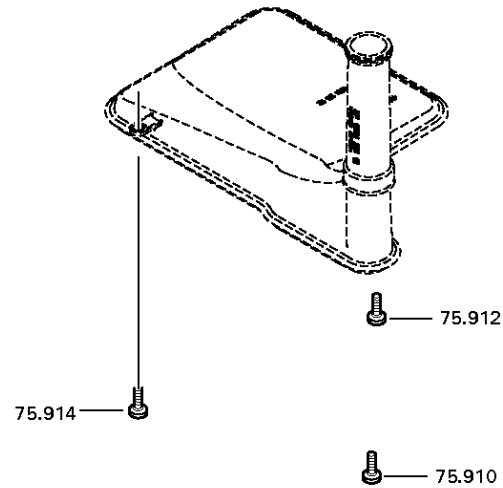
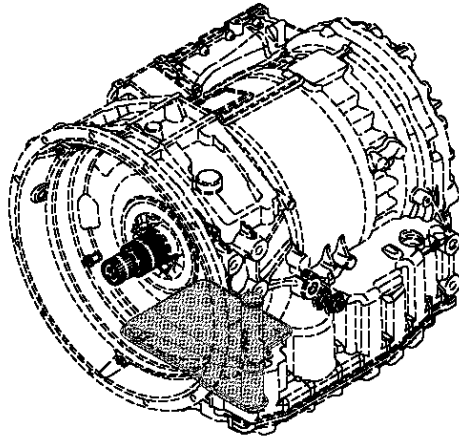
Material number: 4181.020.255

Picture: 130.75.80-1

Material-assembly-group-no: 4181.175.801



6 AP 1200 B /  
SUCTION FILTER



# Picture

Page 1 from 1

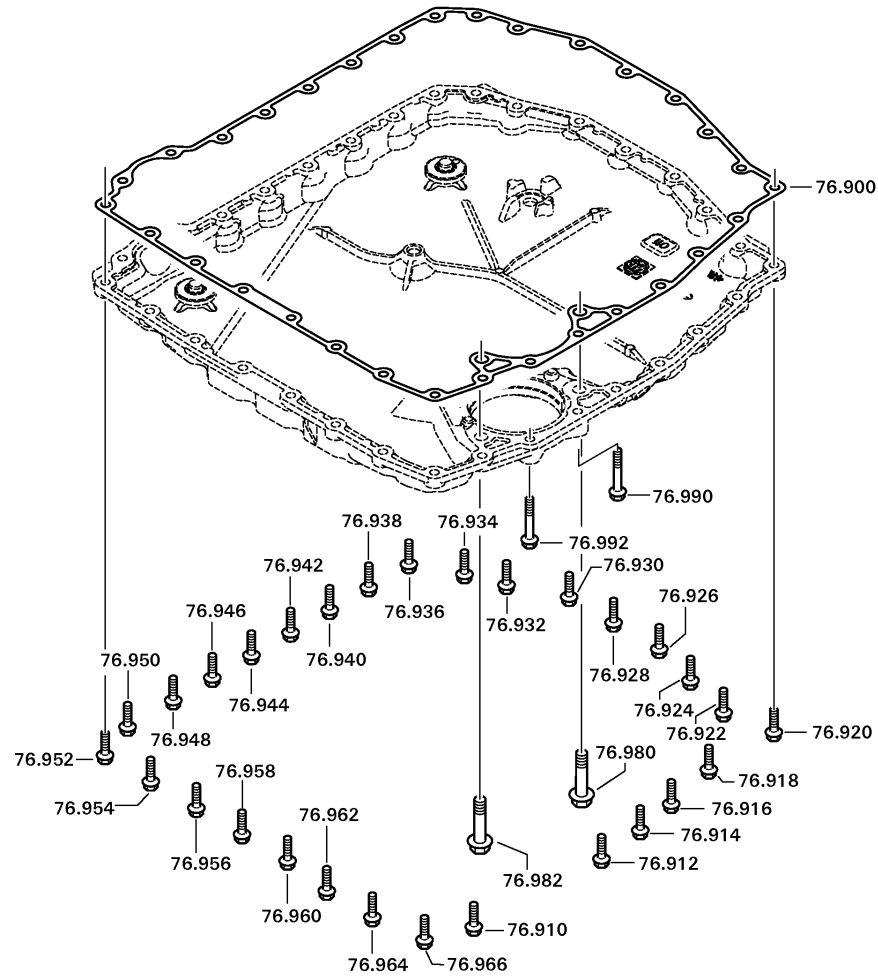
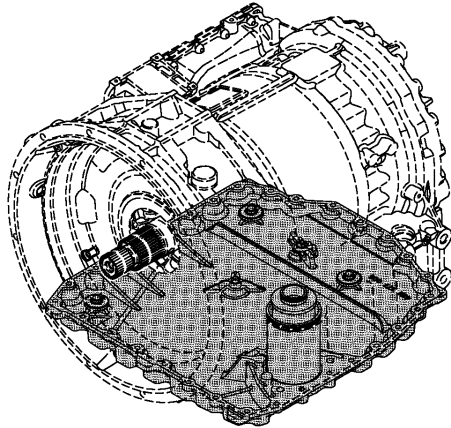
Material number: 4181.020.255

Picture: 130.076.081-1

Material-assembly-group-no: 4181.176.850



6 AP 1200 B /  
OIL PAN



# Picture

Page 1 from 1

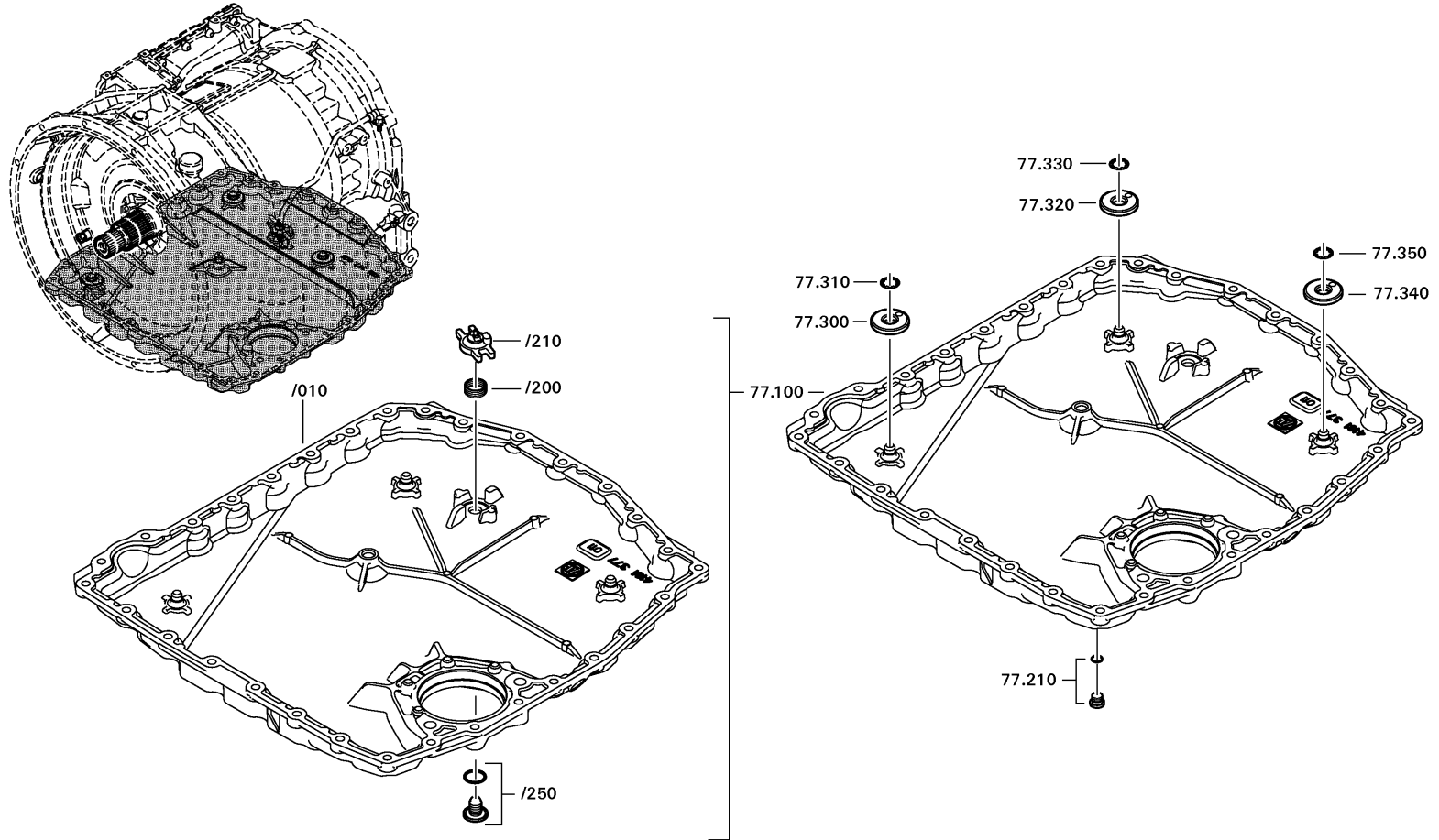
Material number: 4181.020.255

Picture: 130.077.002-1

Material-assembly-group-no: 4181.177.050



6 AP 1200 B /  
OIL PAN



# Picture

Page 1 from 1

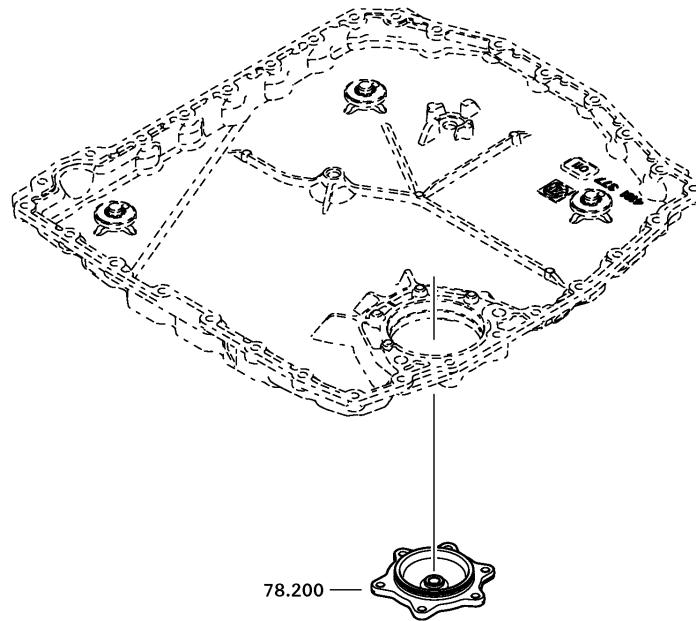
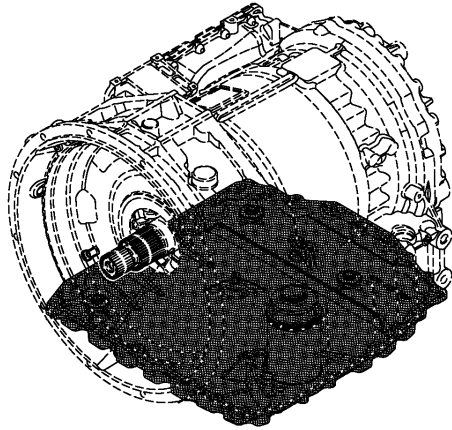
Material number: 4181.020.255

Picture: 130.078.003-1

Material-assembly-group-no: 4181.378.008



6 AP 1200 B /  
FILTER COVER



# Picture

Page 1 from 1

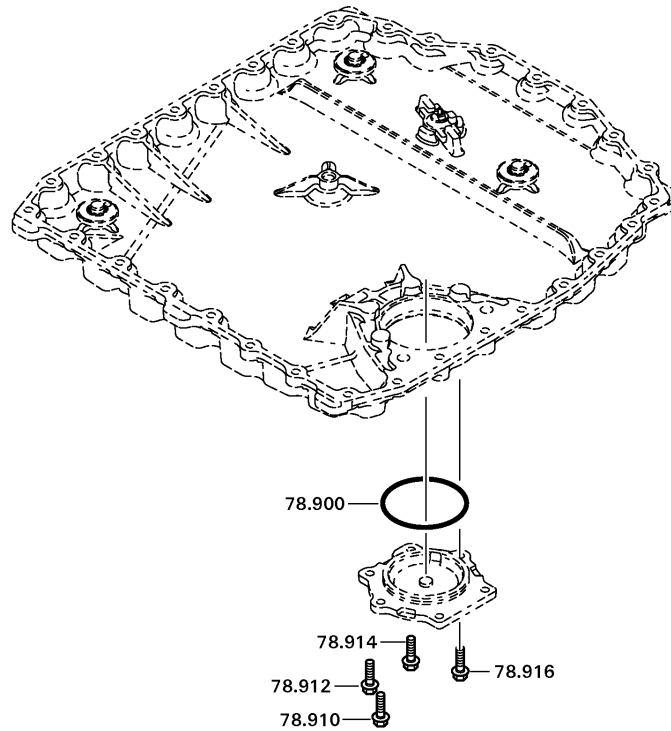
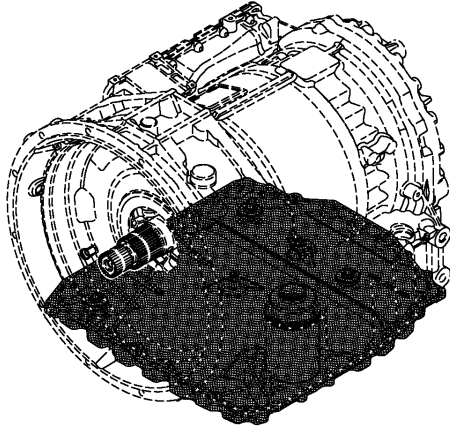
Material number: 4181.020.255

Picture: 130.078.080-1

Material-assembly-group-no: 4181.178.803



6 AP 1200 B /  
FILTER COVER





# Picture

Page 1 from 1

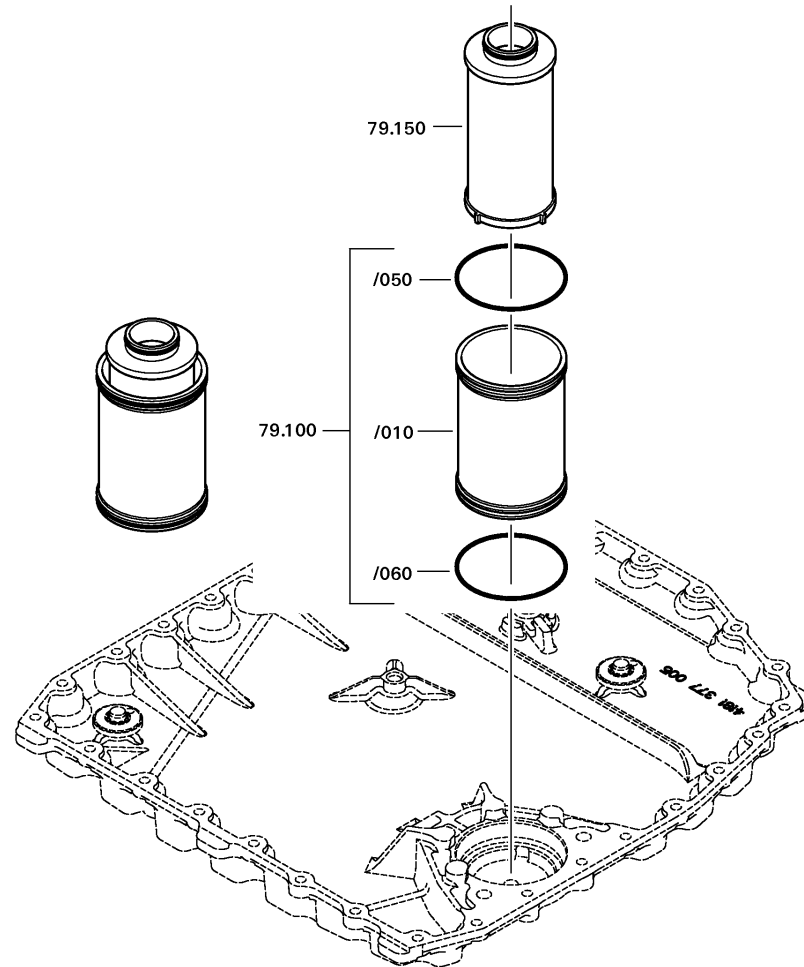
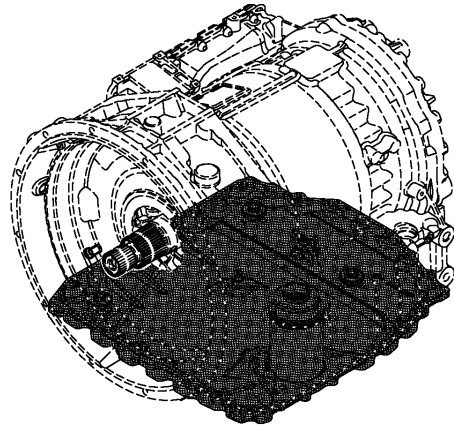
Material number: 4181.020.255

Picture: 130.079.001-1

Material-assembly-group-no: 4181.179.003



6 AP 1200 B /  
PRESSURE FILTER



# Picture

Page 1 from 1

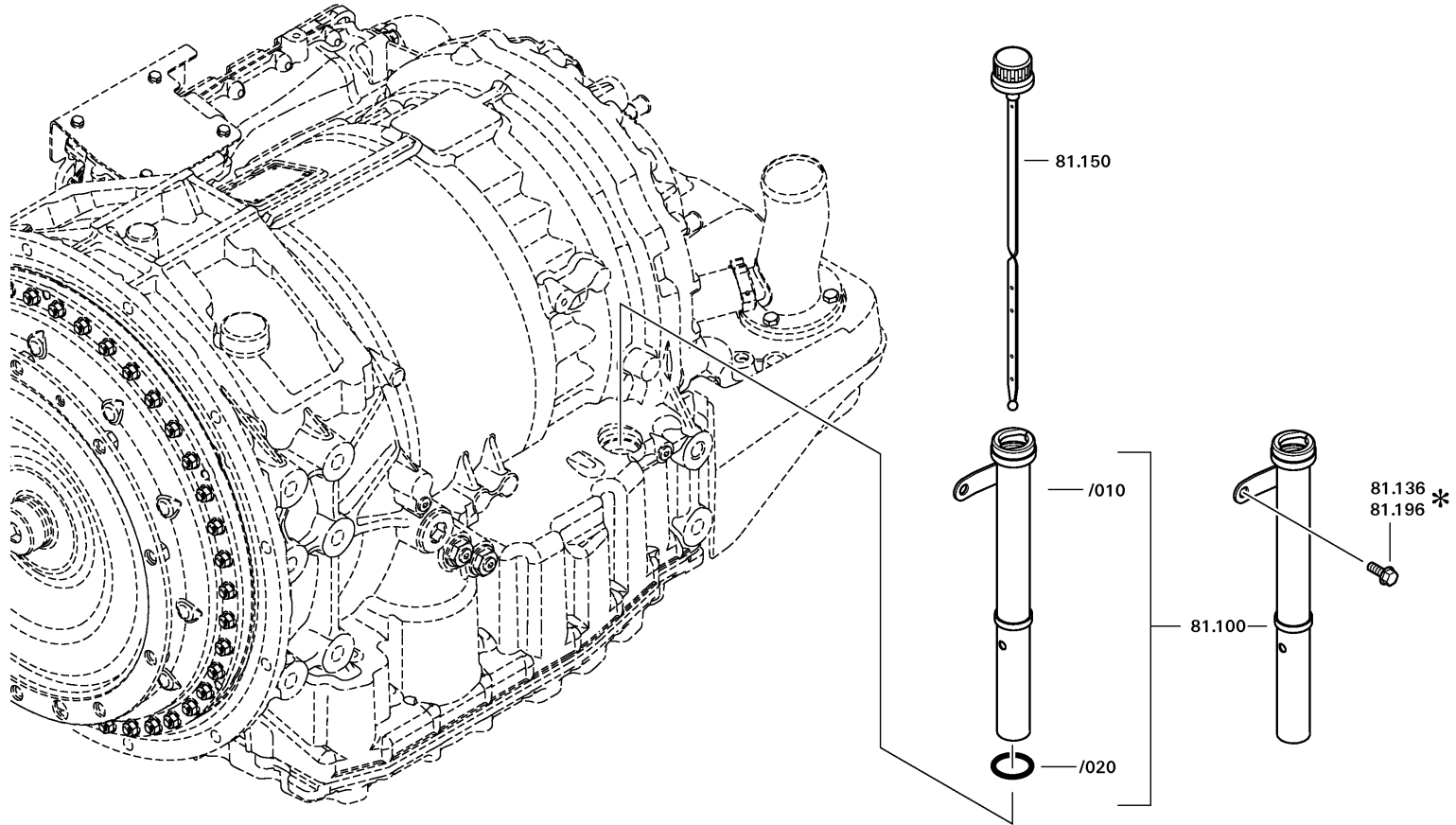
Material number: 4181.020.255

Picture: 130.081.018-1

DIPSTICK PARTS



6 AP 1200 B /  
DIPSTICK PARTS



# Picture

Page 1 from 3

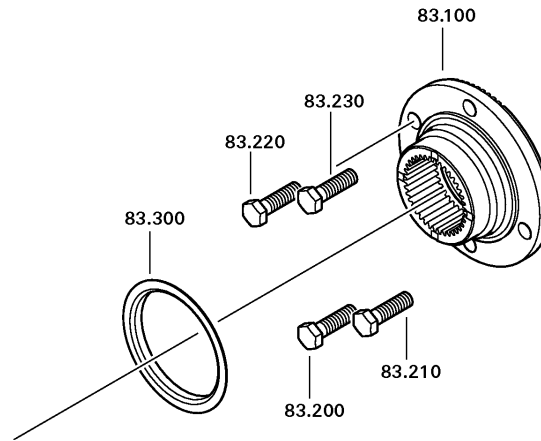
Material number: 4181.020.255

Picture: 130.083.001-1

OUTPUT FLANGE



6 AP 1200 B /  
OUTPUT FLANGE



# Picture

Page 2 from 3

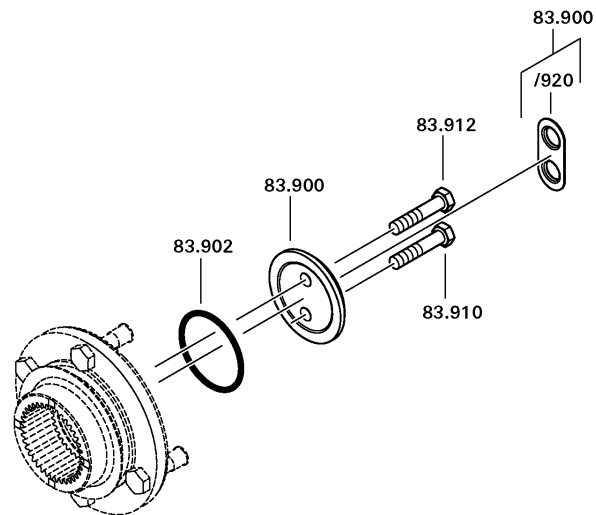
Material number: 4181.020.255

Picture: 130.083.050-1

OUTPUT FLANGE



6 AP 1200 B /  
OUTPUT FLANGE



# Picture

Page 3 from 3

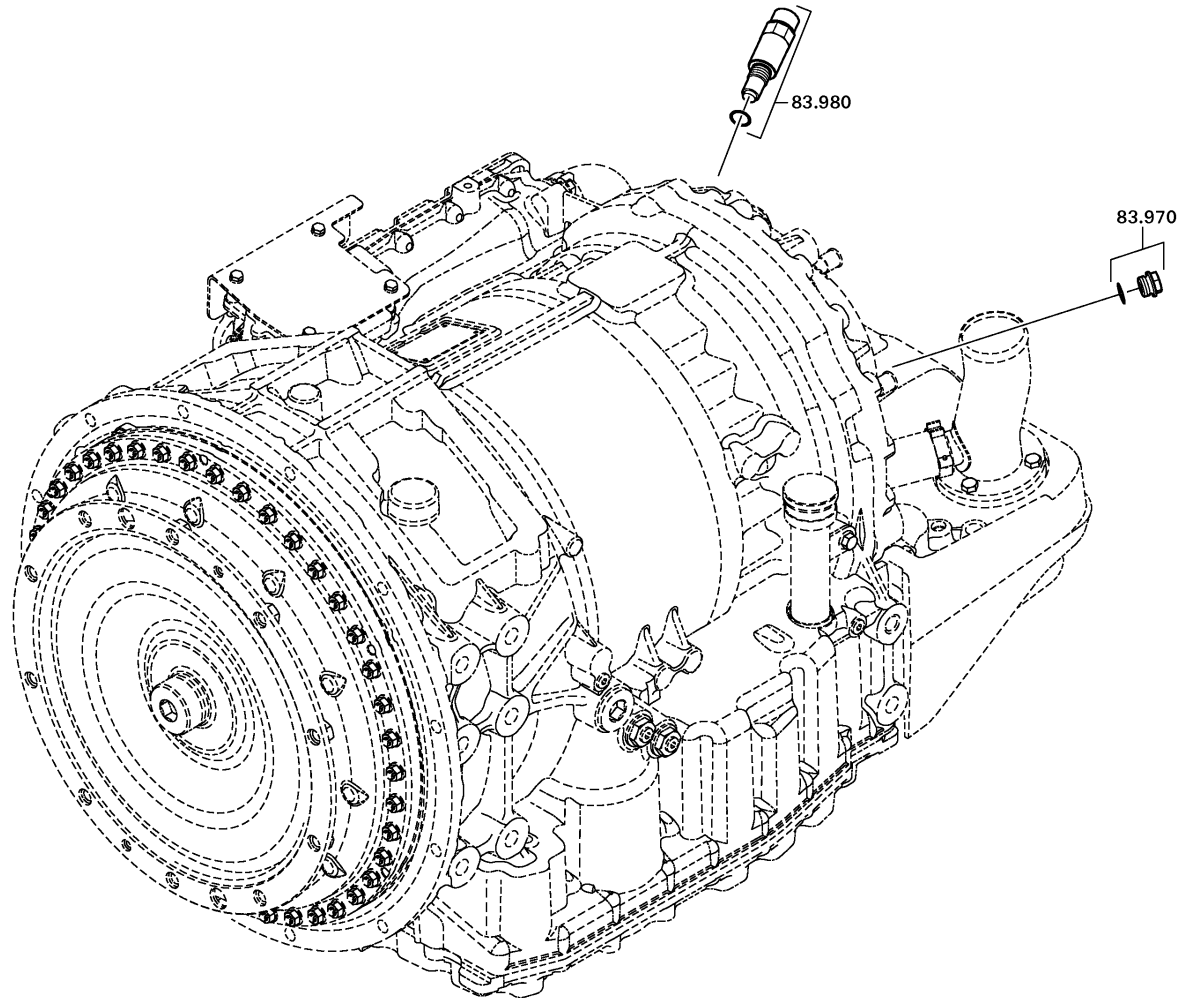
Material number: 4181.020.255

Picture: 130.083.080-1

OUTPUT FLANGE



6 AP 1200 B /  
OUTPUT FLANGE



# Picture

Page 1 from 2

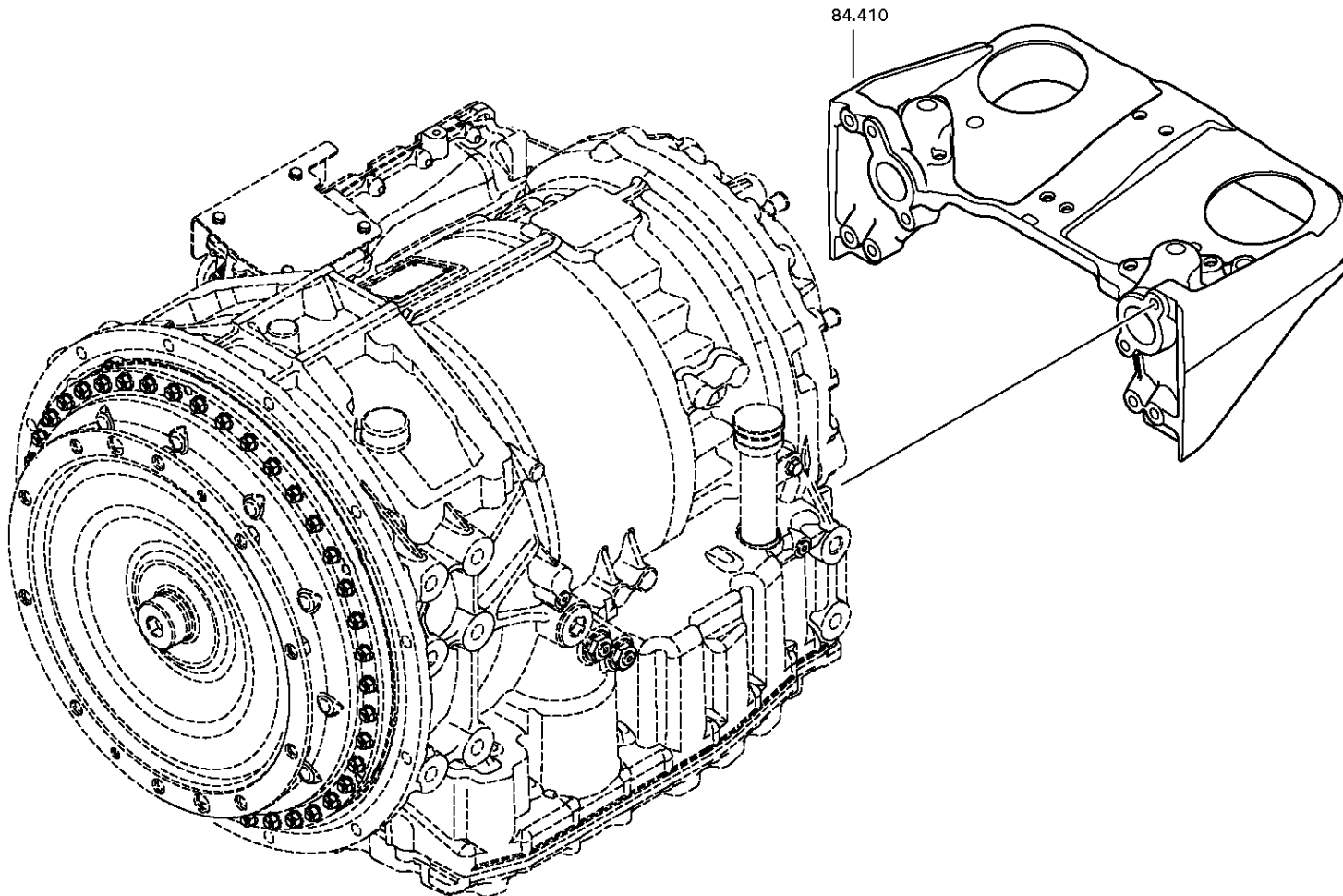
Material number: 4181.020.255

Picture: 130.84.05-1

BRACKET



6 AP 1200 B /  
BRACKET



# Picture

Page 2 from 2

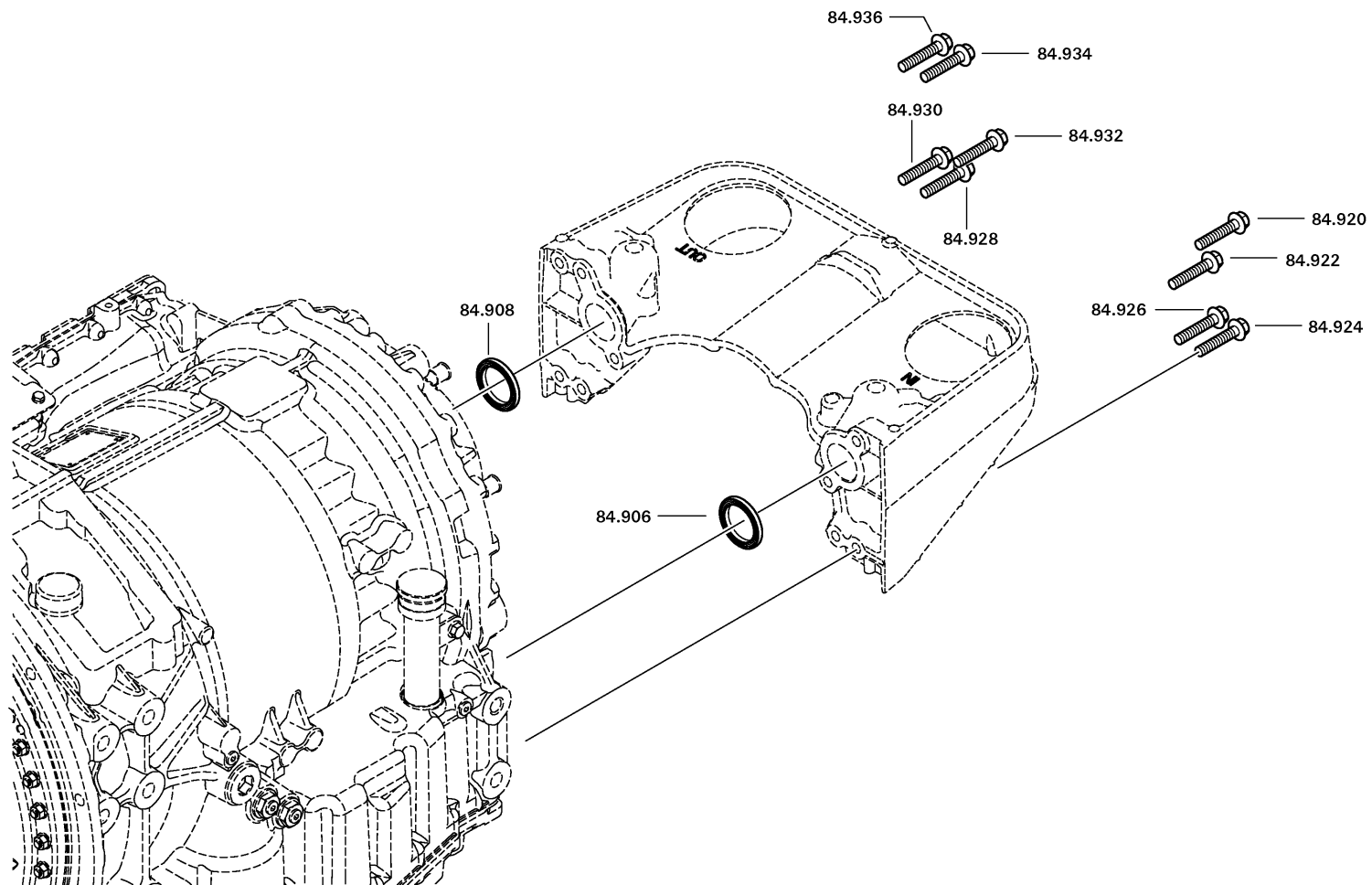
Material number: 4181.020.255

Picture: 130.084.084-1

BRACKET



6 AP 1200 B /  
BRACKET



# Picture

Page 1 from 2

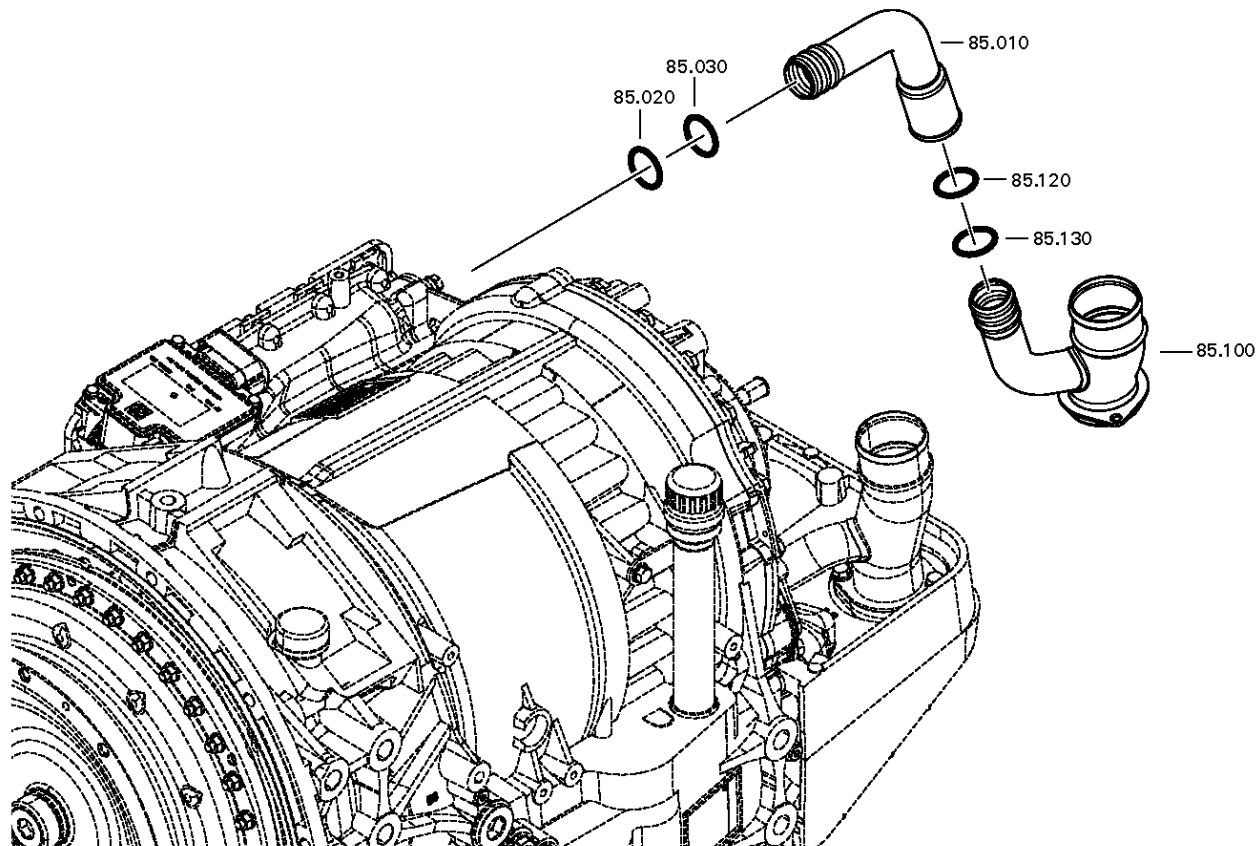
Material number: 4181.020.255

Picture: 130.85.04-1

TUBE



6 AP 1200 B /  
TUBE





# Picture

Page 2 from 2

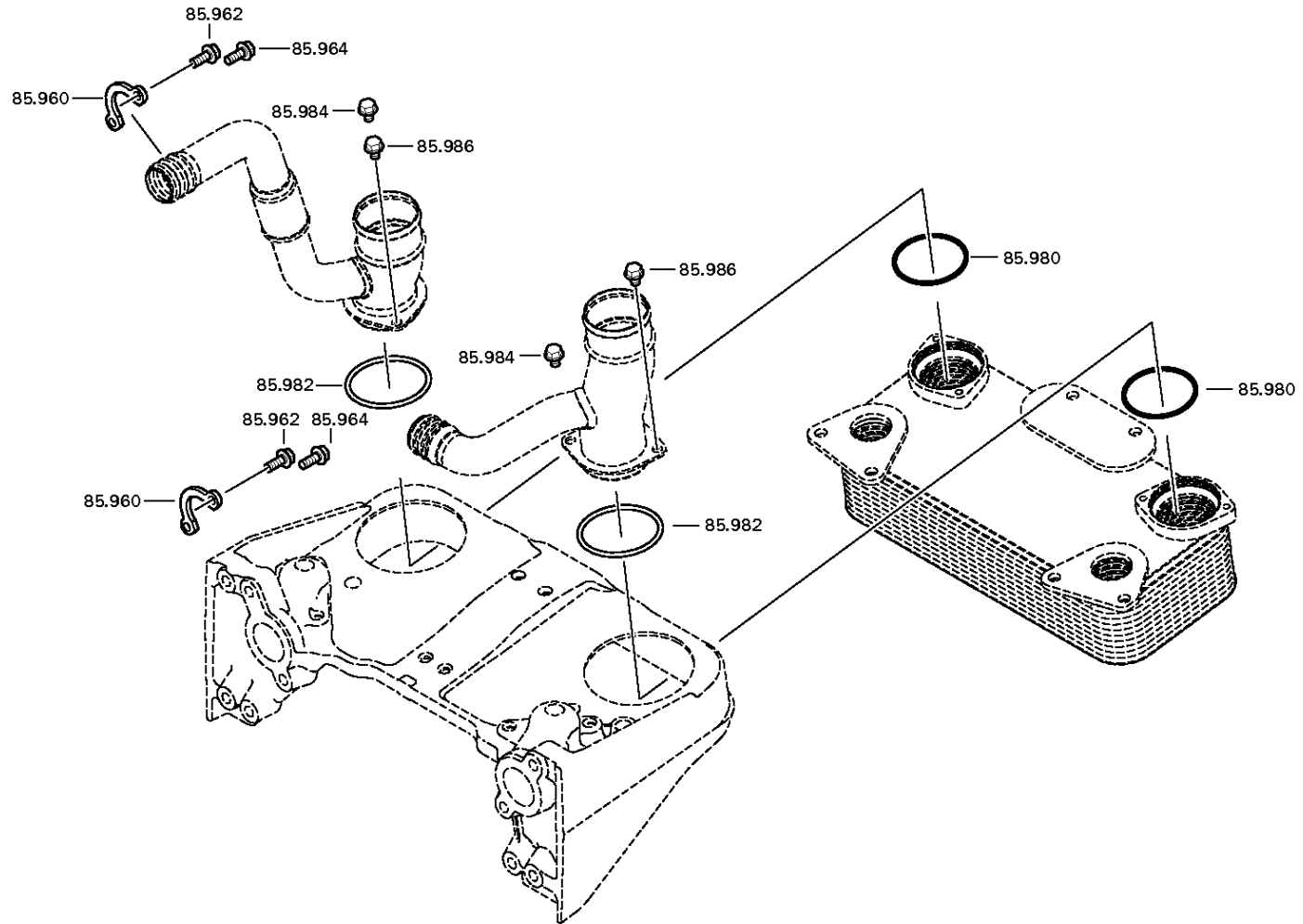
Material number: 4181.020.255

Picture: 130.85.81-1

TUBE



6 AP 1200 B /  
TUBE



# Picture

Page 1 from 2

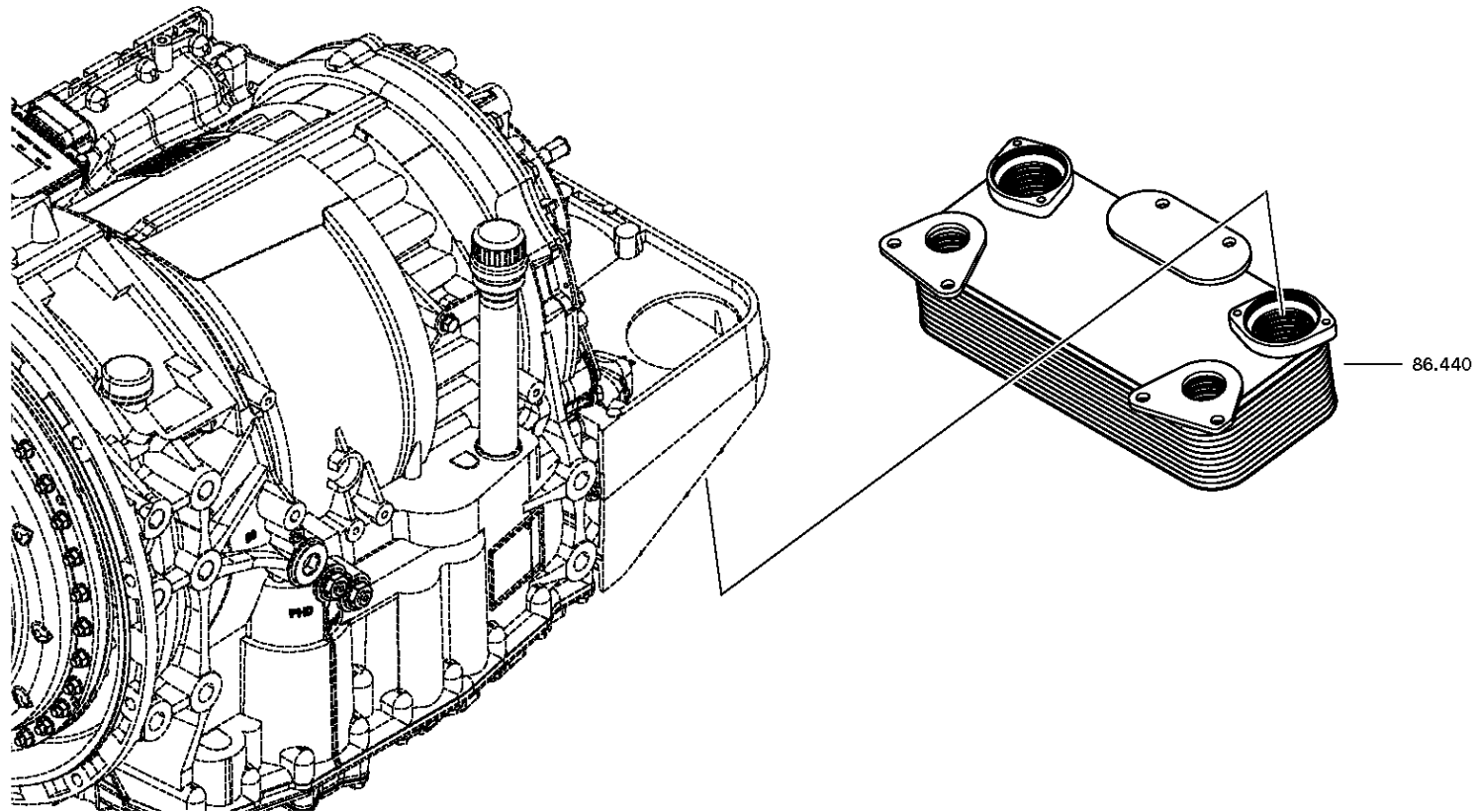
Material number: 4181.020.255

Picture: 130.86.02-1

HEAT EXCHANGER



6 AP 1200 B /  
HEAT EXCHANGER



# Picture

Page 2 from 2

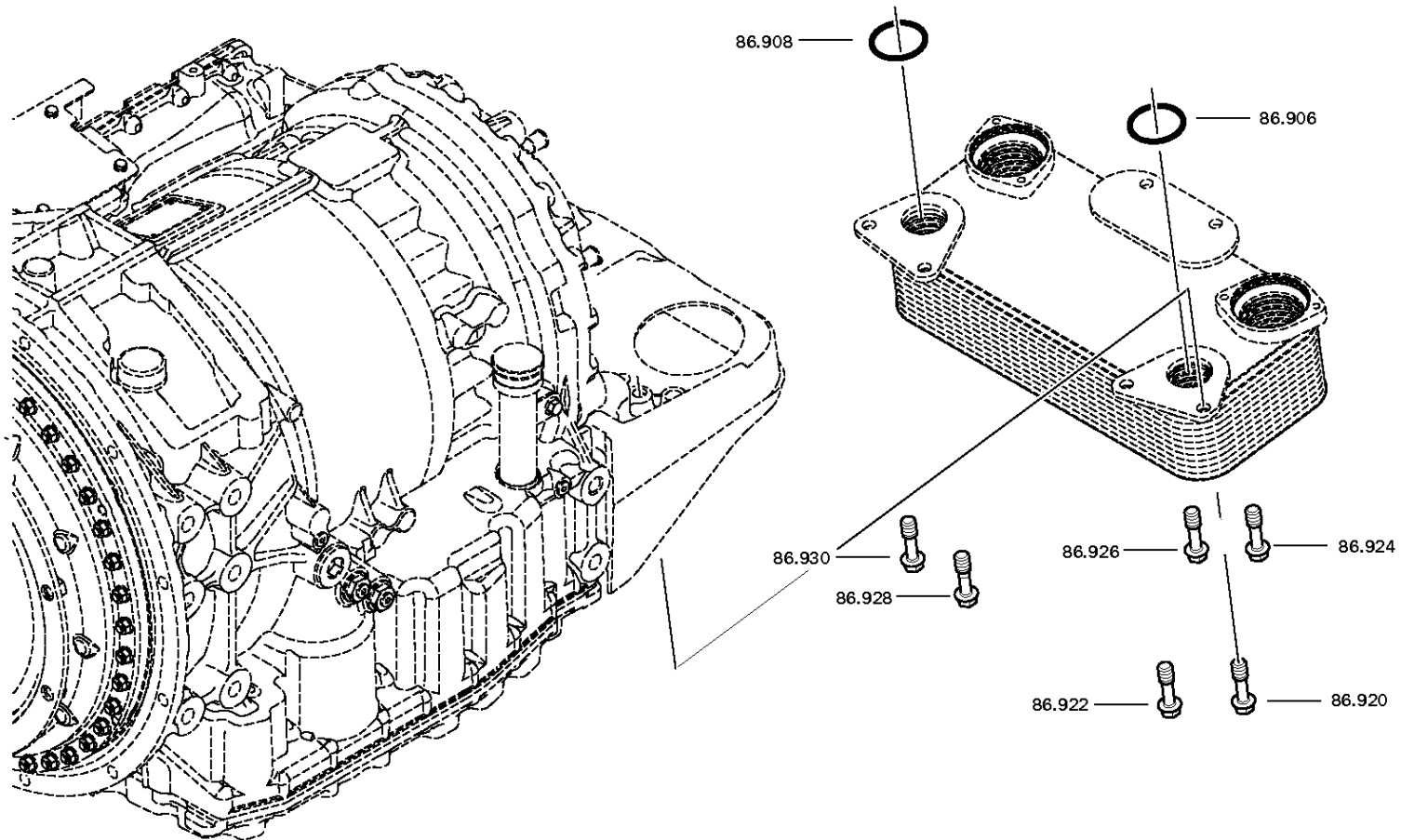
Material number: 4181.020.255

Picture: 130.86.81-1

HEAT EXCHANGER



6 AP 1200 B /  
HEAT EXCHANGER



# Picture

Page 1 from 1

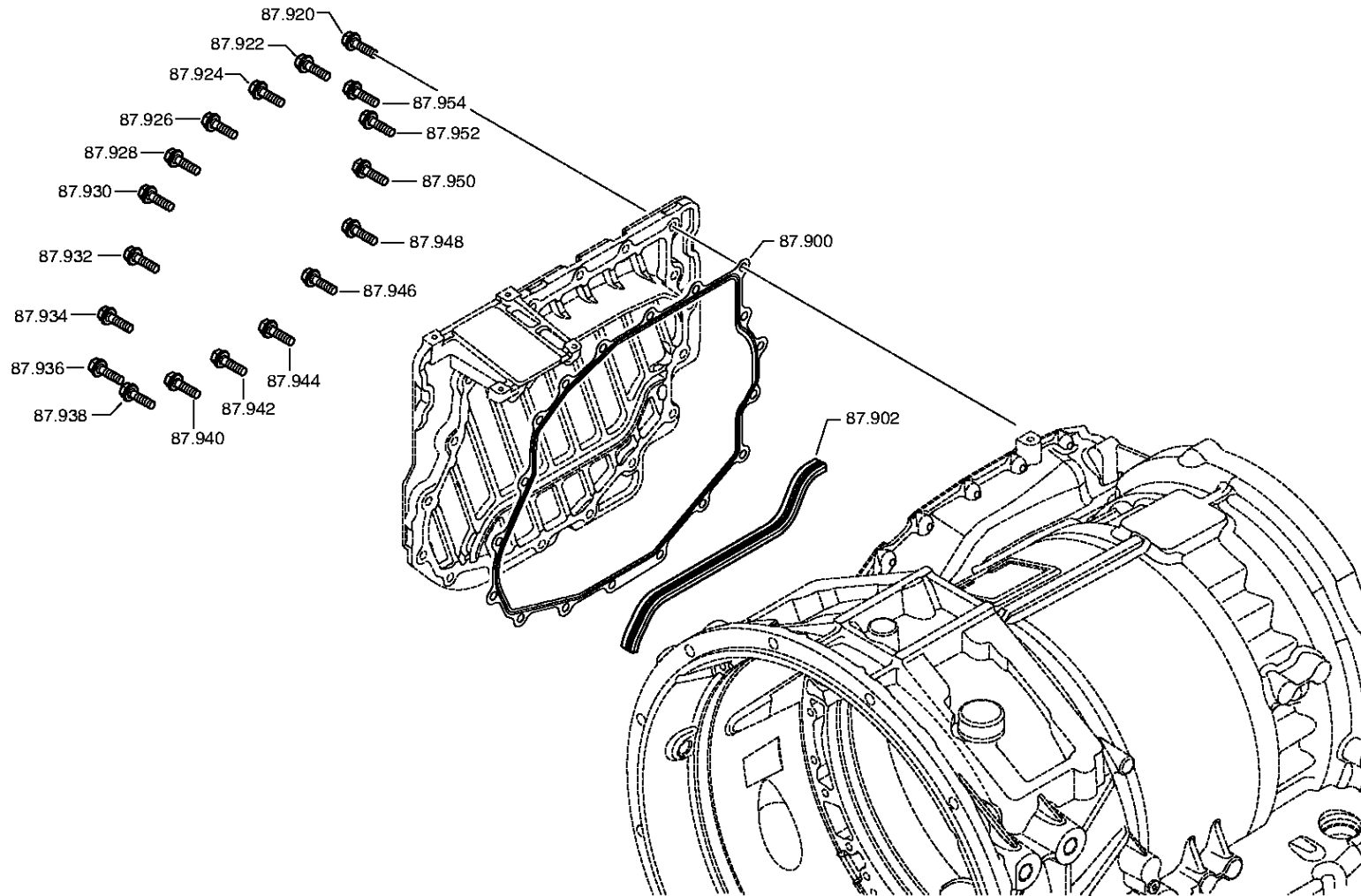
Material number: 4181.020.255

Picture: 130.87.80-1

Material-assembly-group-no: 4181.184.822



6 AP 1200 B /  
COVER



# Picture

Page 1 from 1

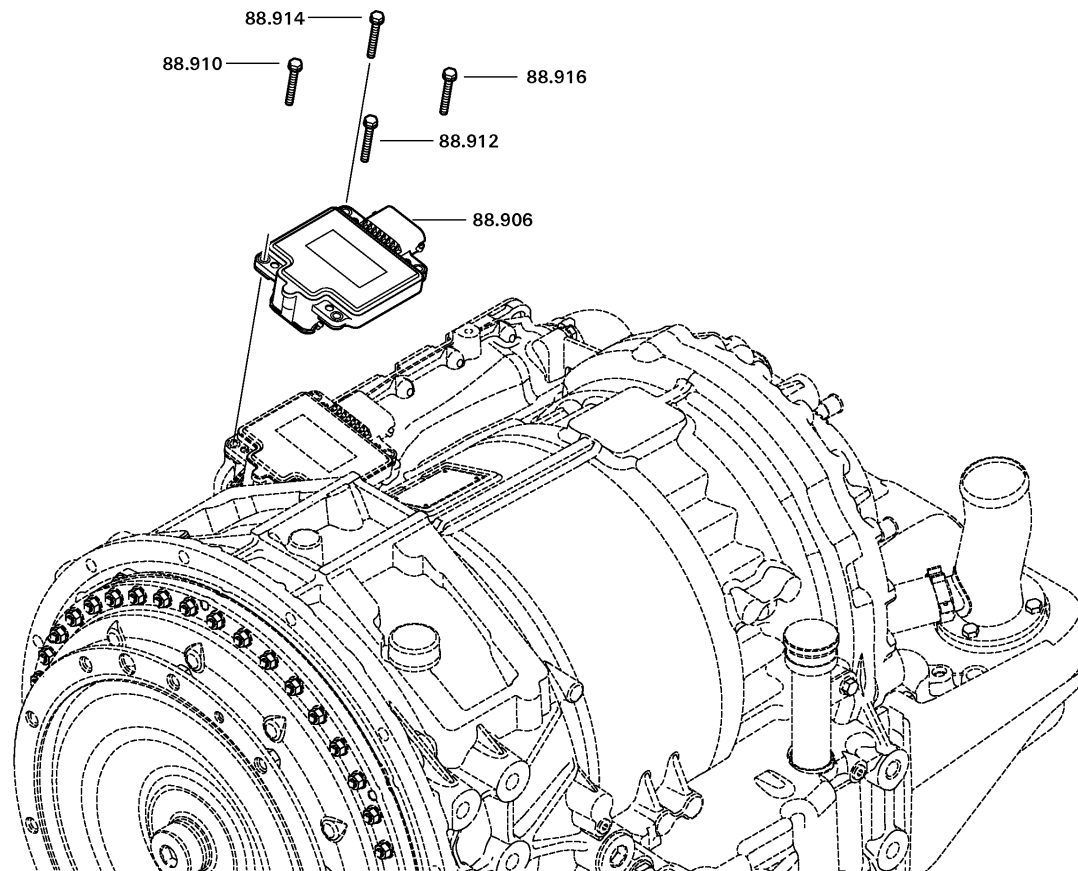
Material number: 4181.020.255

Picture: 130.088.081-1

Material-assembly-group-no: 4181.188.801



6 AP 1200 B /  
CONTROL UNIT



# Picture

Page 1 from 2

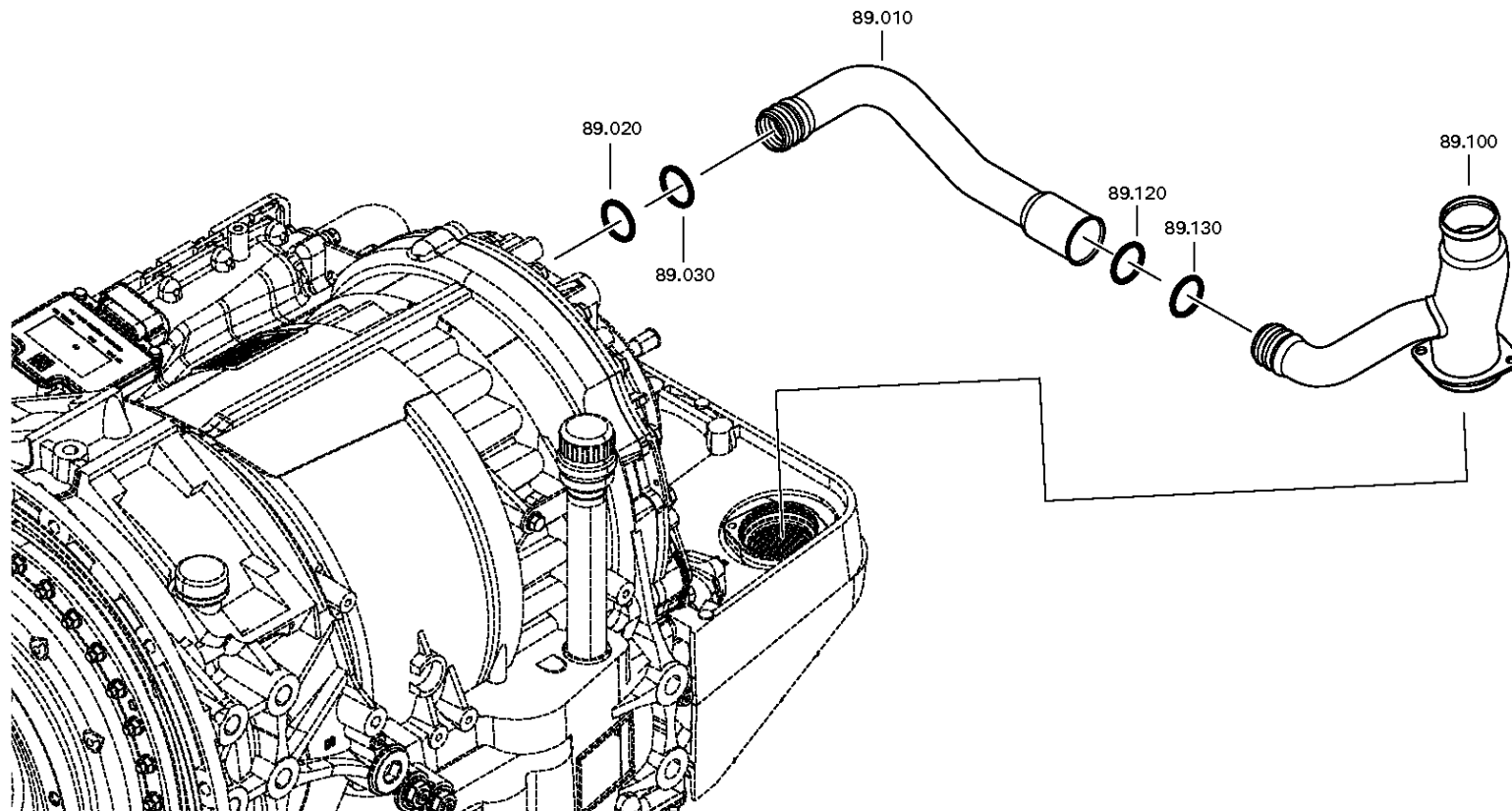
Material number: 4181.020.255

Picture: 130.89.05-1

TUBE



6 AP 1200 B /  
TUBE



# Picture

Page 2 from 2

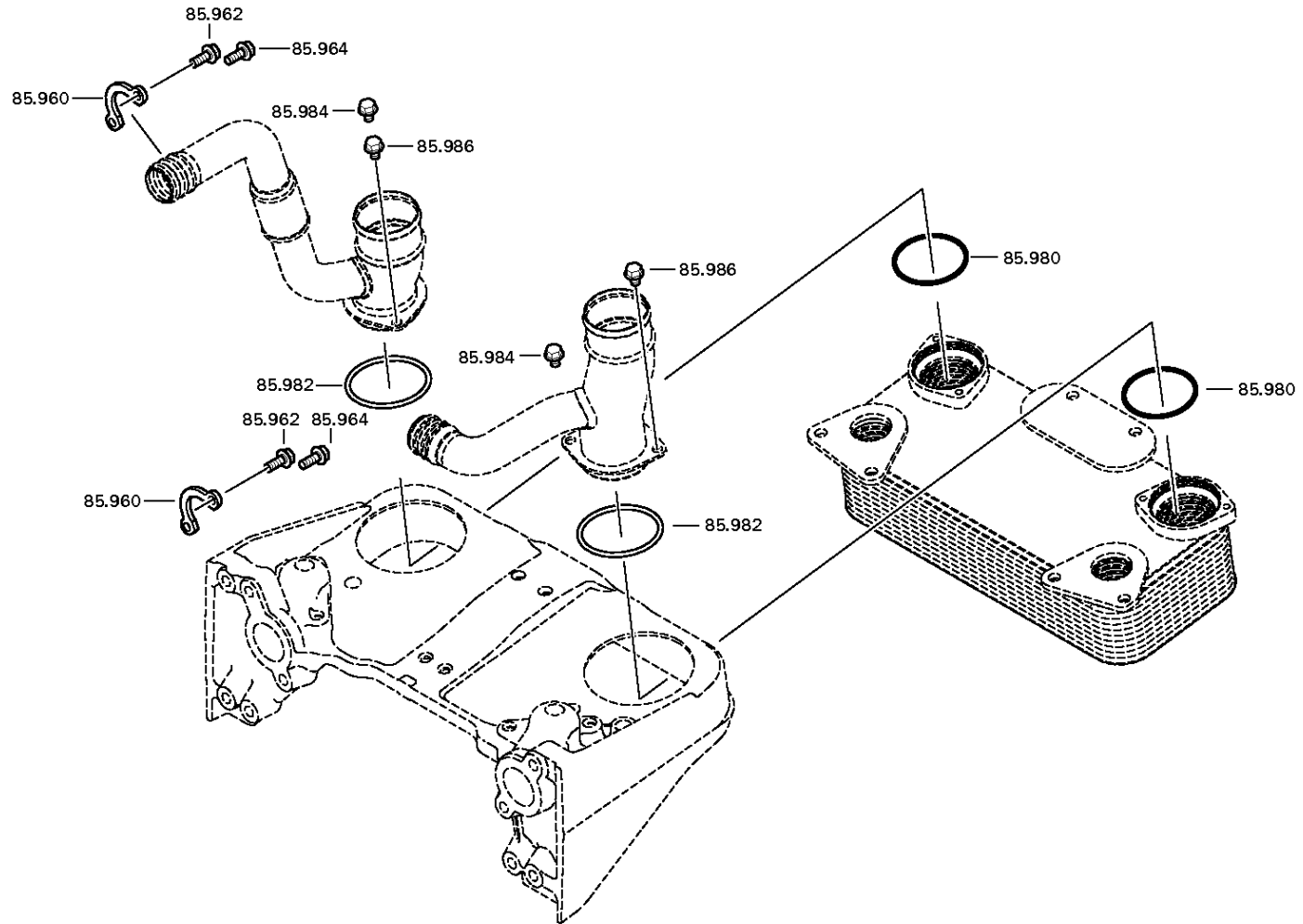
Material number: 4181.020.255

Picture: 130.85.81-1

TUBE



6 AP 1200 B /  
TUBE



# Picture

Page 1 from 1

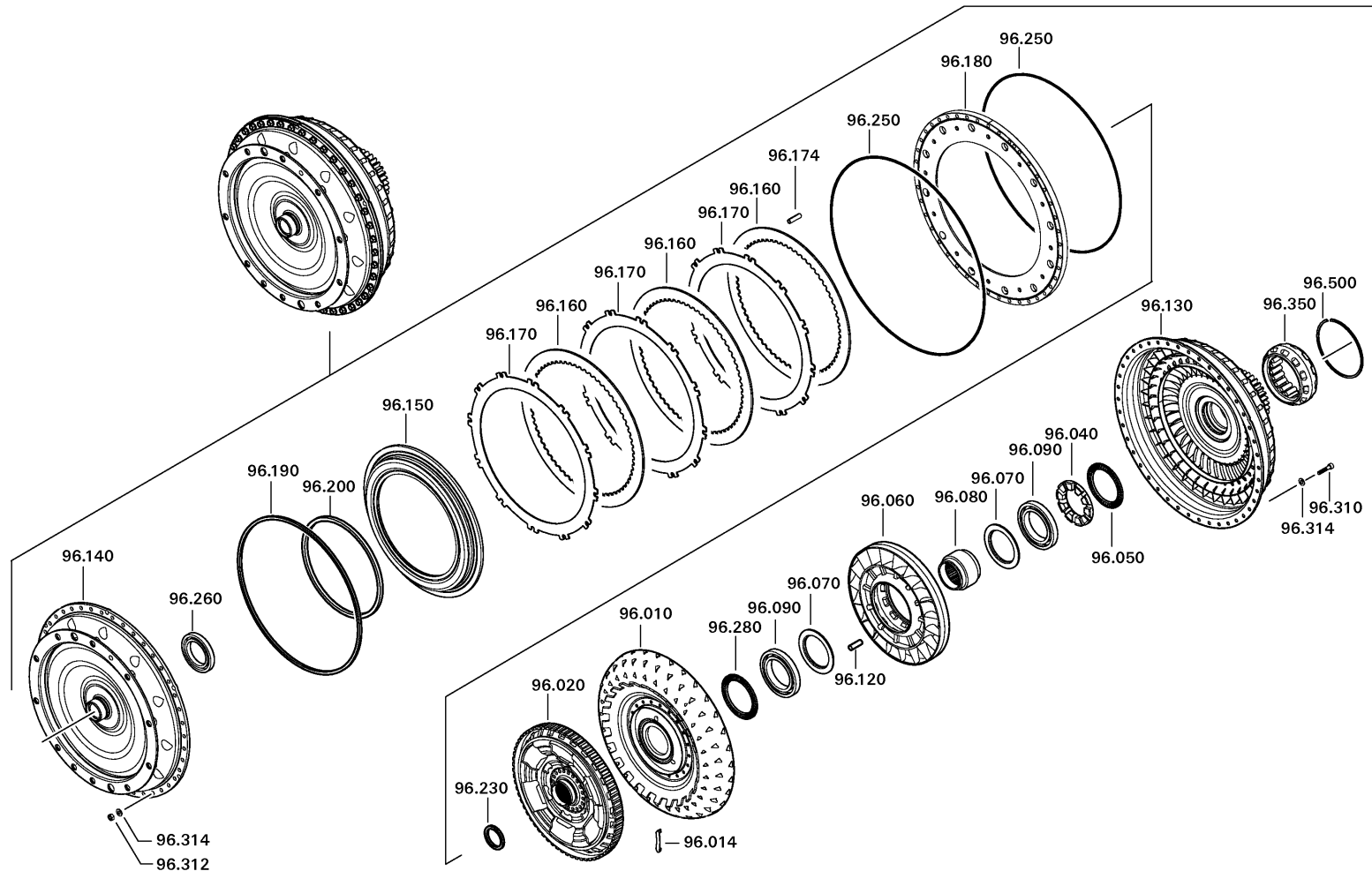
Material number: 4181.020.255

Picture: 130.096.004-1

Material-assembly-group-no: 0501.008.490



6 AP 1200 B /  
CONVERTER





# Picture

Page 1 from 1

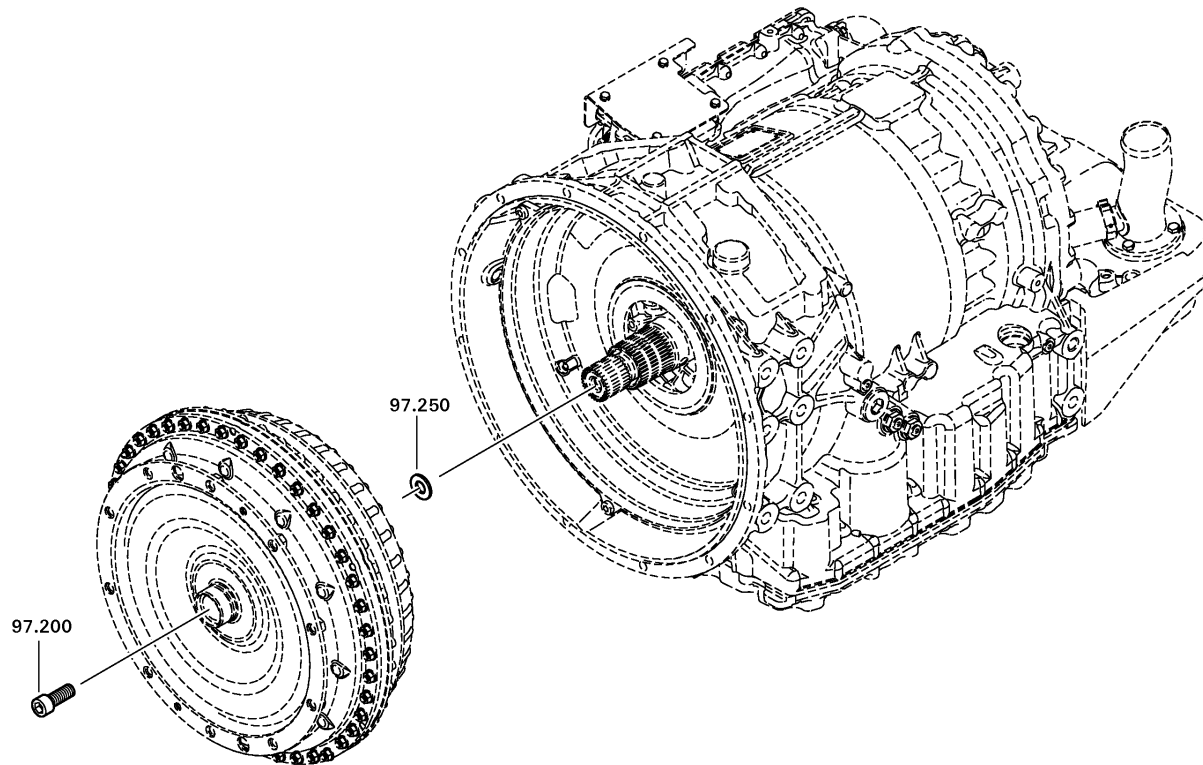
Material number: 4181.020.255

Picture: 130.097.001-1

Material-assembly-group-no: 4181.182.800



6 AP 1200 B /  
CONVERTER



# Picture

Page 1 from 1

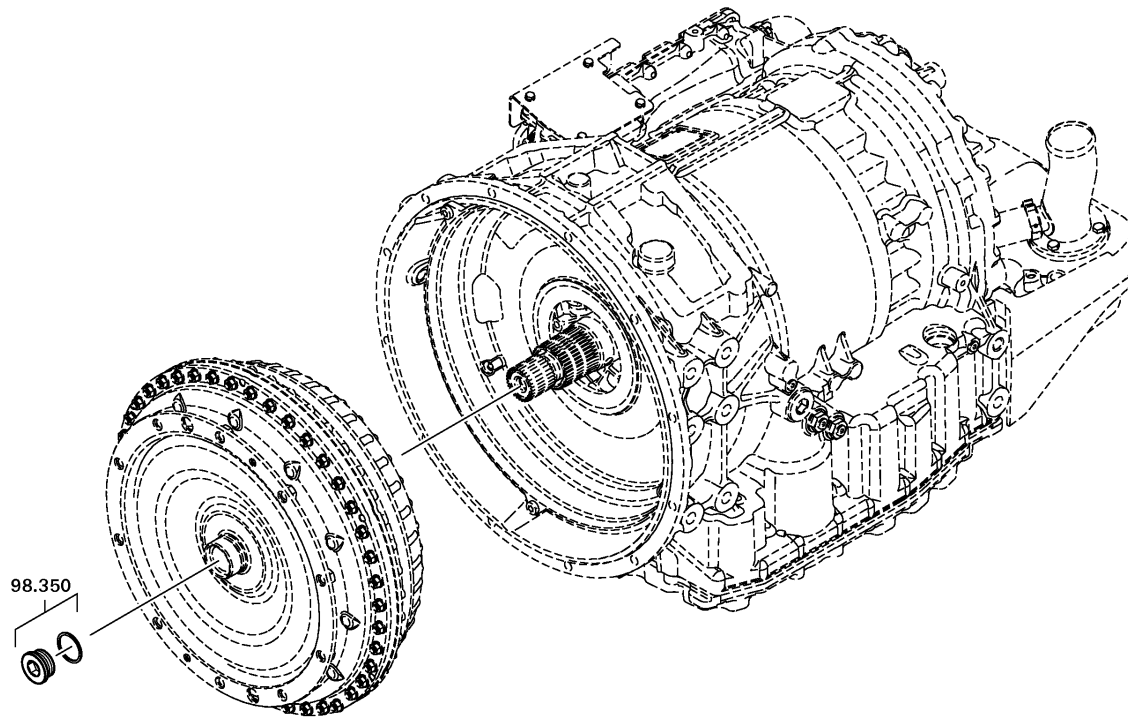
Material number: 4181.020.255

Picture: 130.098.001-1

Material-assembly-group-no: 0768.409.579



6 AP 1200 B /  
SCREW PLUG



# Picture

Page 1 from 1

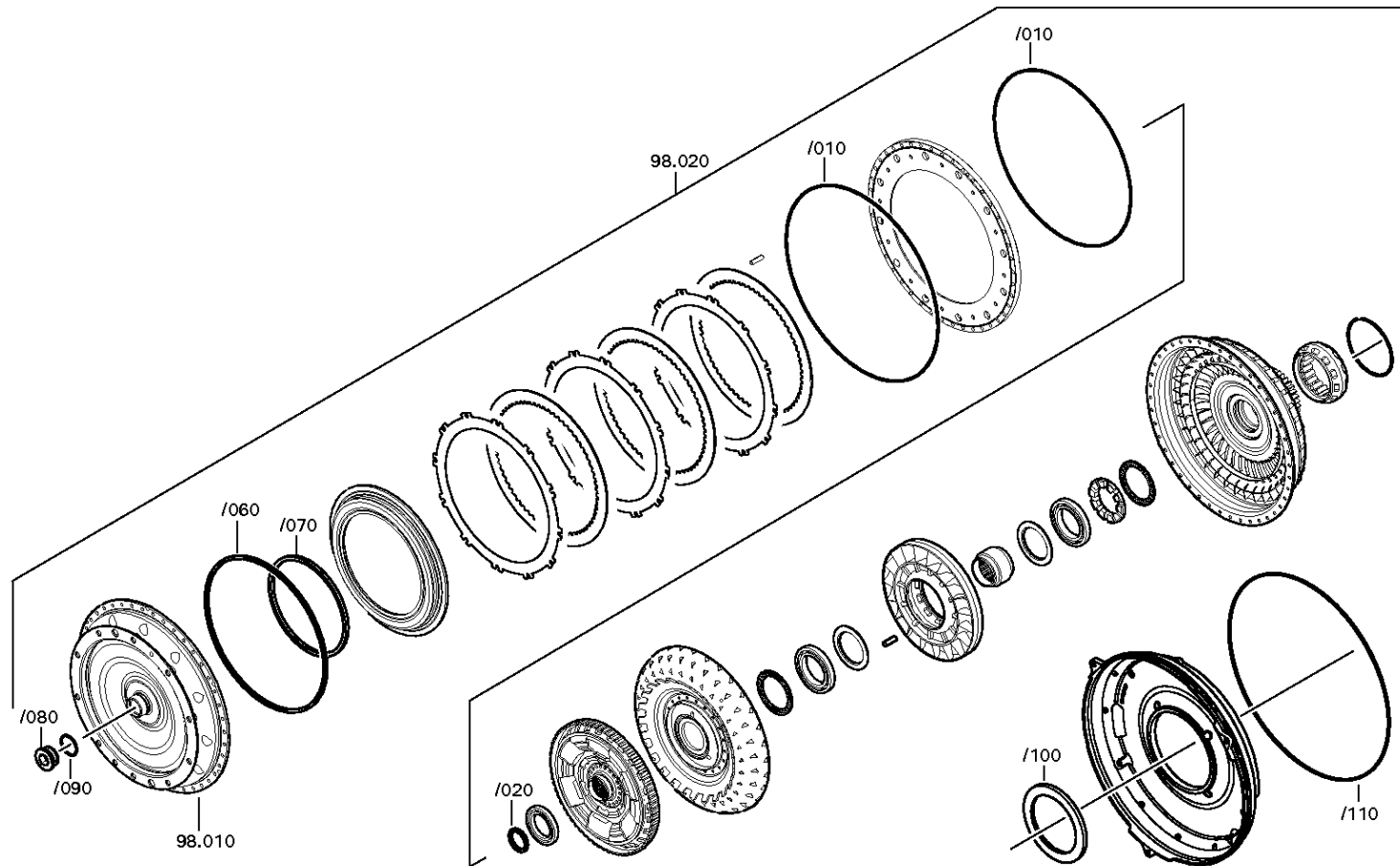
Material number: 4181.020.255

Picture: 130.R0.05-1

Material-assembly-group-no: 4181.198.007



6 AP 1200 B /  
REPAIR KIT



# Picture

Page 1 from 1

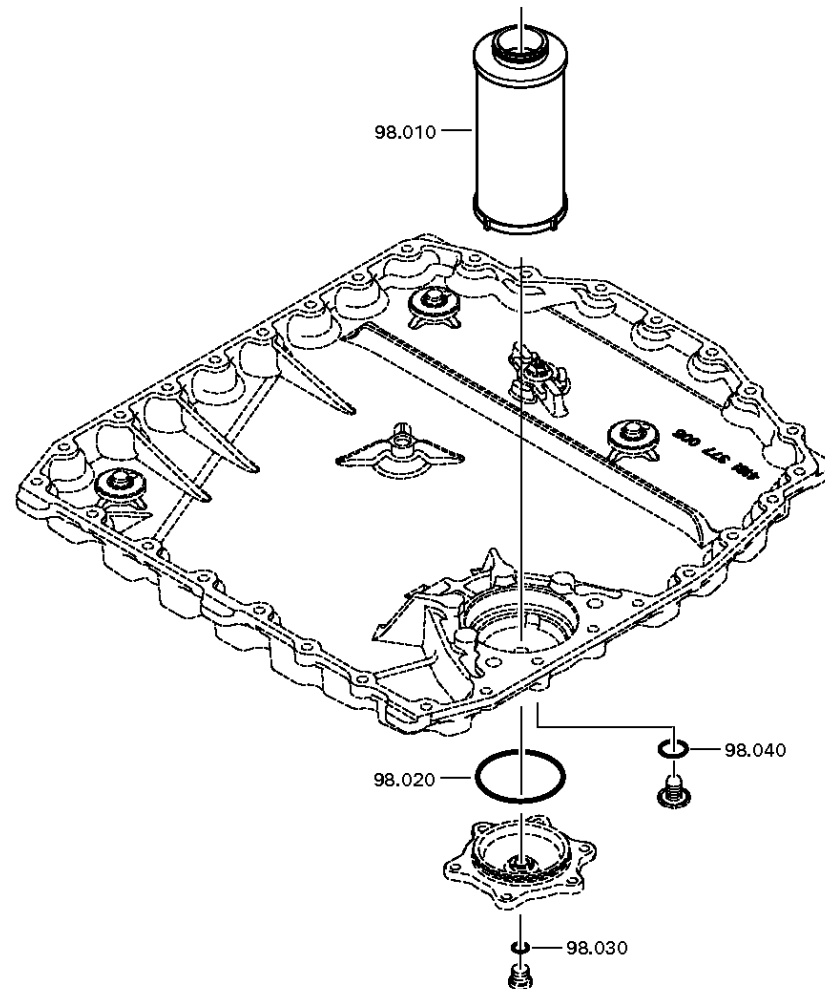
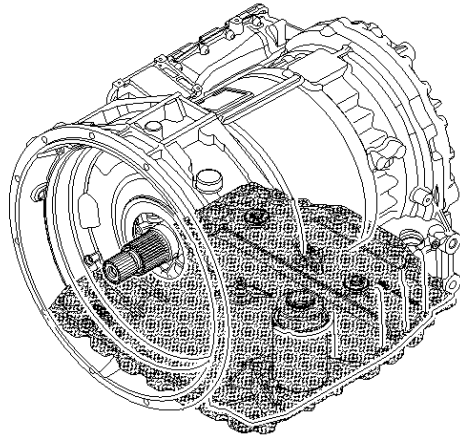
Material number: 4181.020.255

Picture: 130.R0.01-1

Material-assembly-group-no: 4181.298.002



6 AP 1200 B /  
PRESSURE FILTER



# Picture

Page 1 from 1

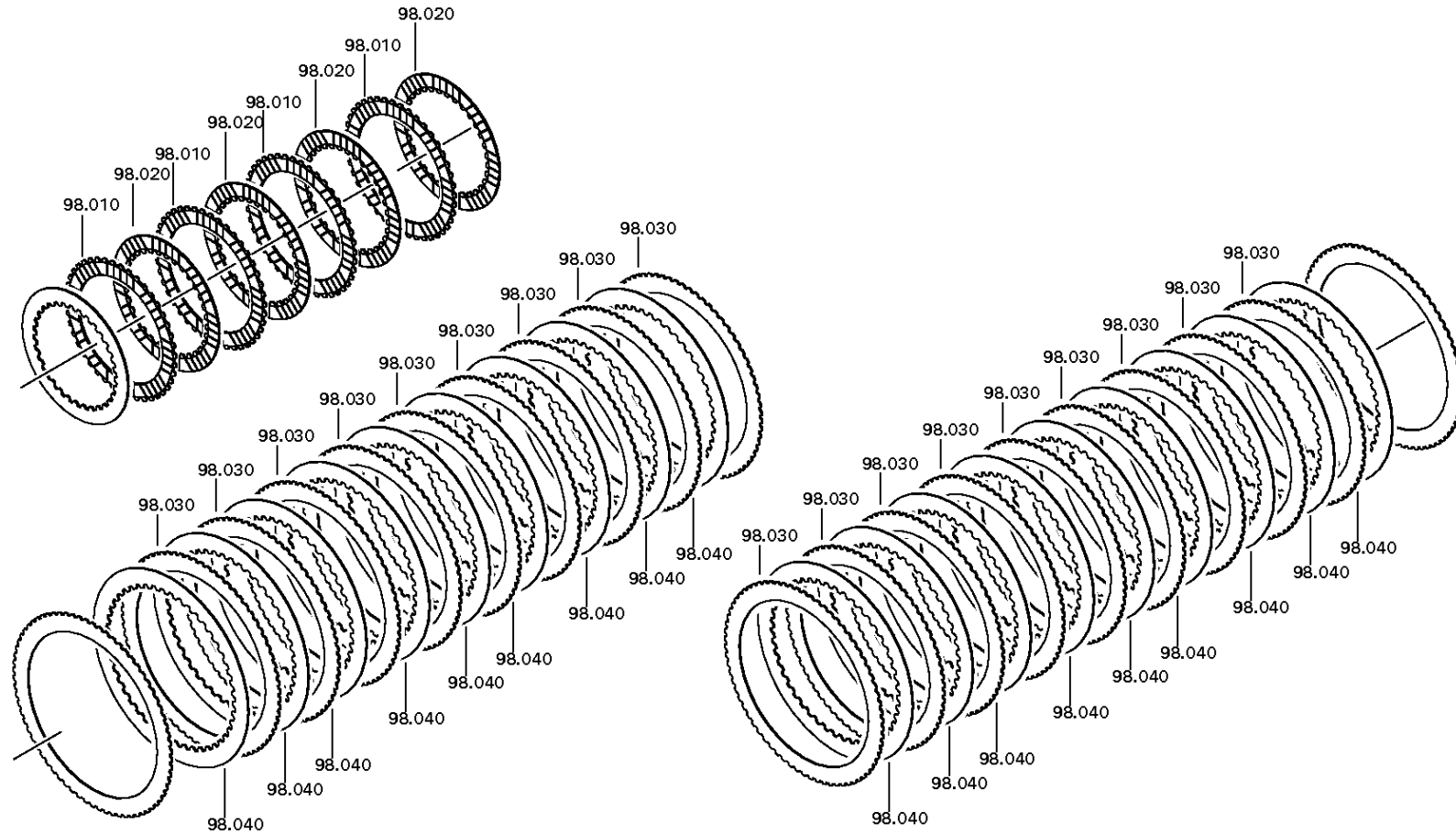
Material number: 4181.020.255

Picture: 130.R0.07-1

Material-assembly-group-no: 4181.298.004



6 AP 1200 B /  
REPAIR KIT



# Picture

Page 1 from 1

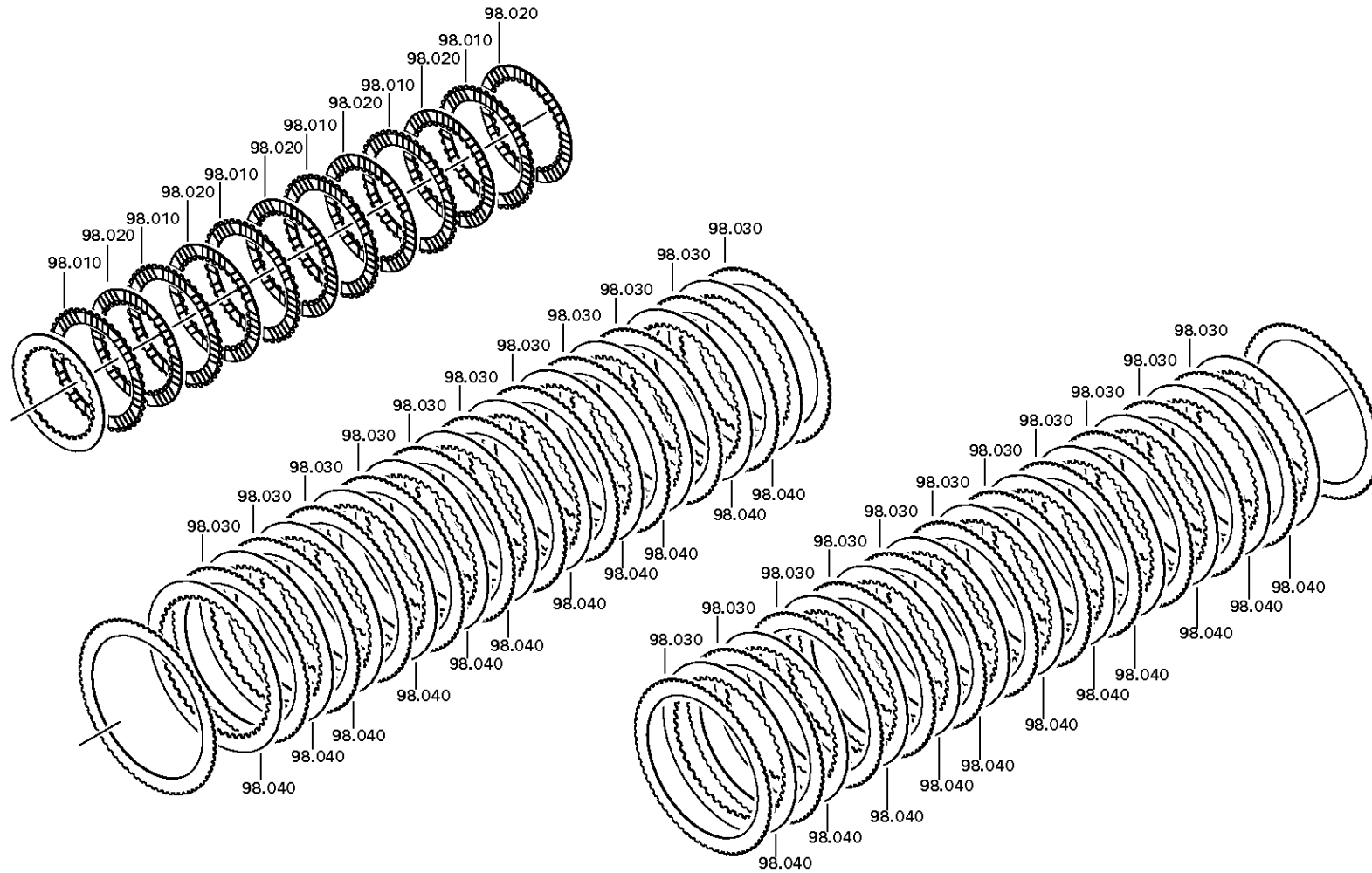
Material number: 4181.020.255

Picture: 130.R0.08-1

Material-assembly-group-no: 4181.298.005



6 AP 1200 B /  
REPAIR KIT



# Picture

Page 1 from 1

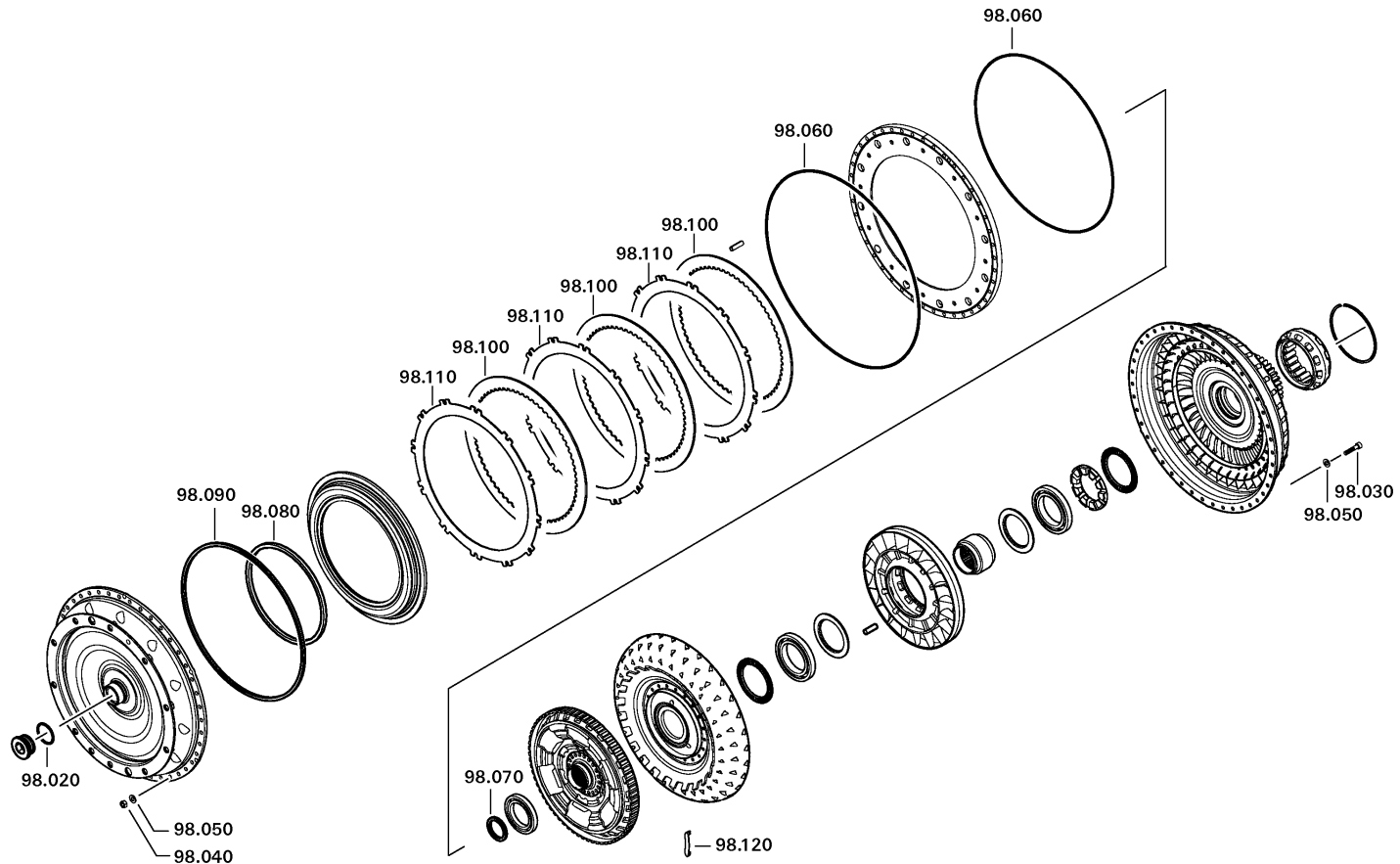
Material number: 4181.020.255

Picture: 130.R0.009-1

Material-assembly-group-no: 4181.298.006



6 AP 1200 B /  
REPAIR KIT



# Picture

Page 1 from 1

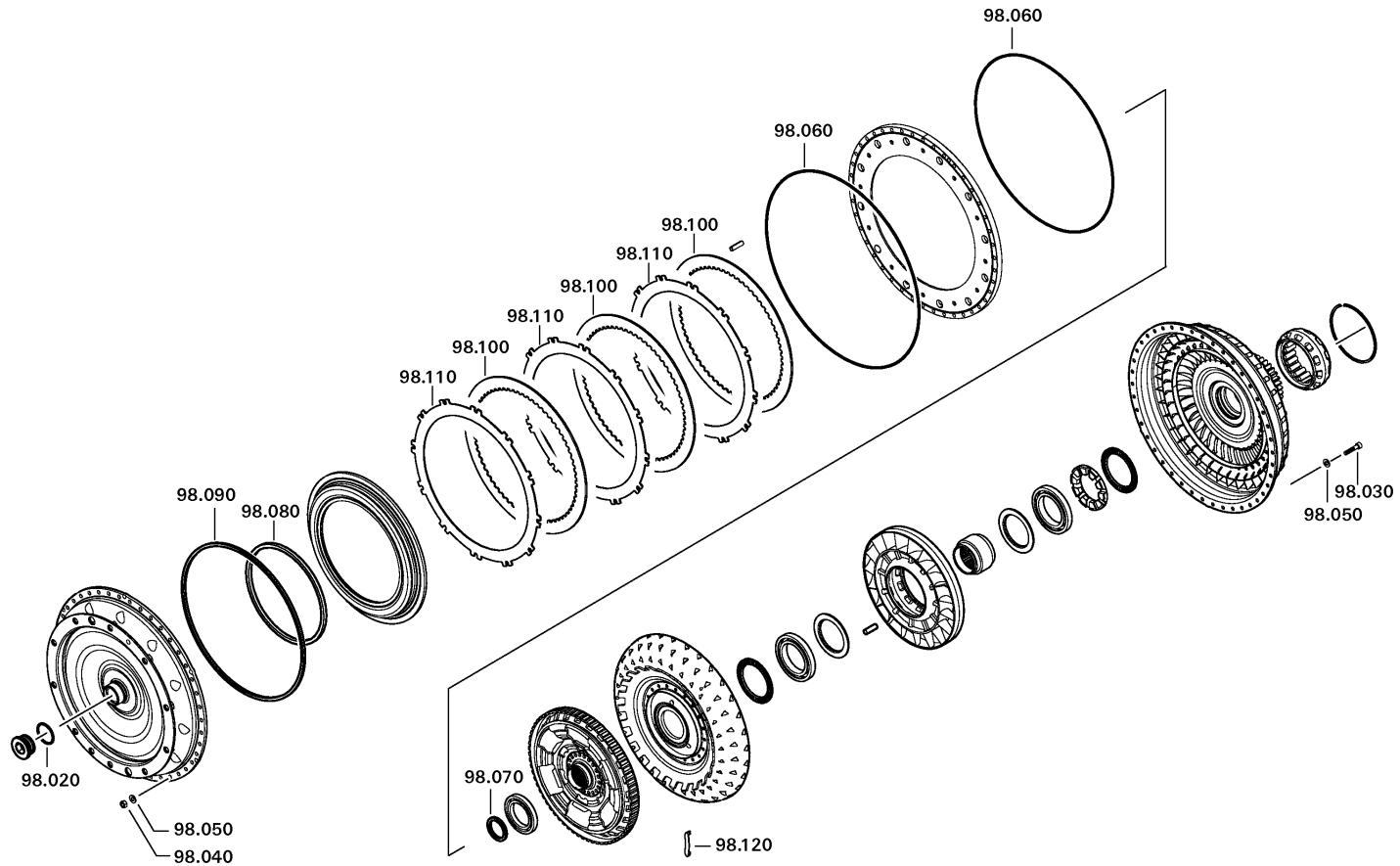
Material number: 4181.020.255

Picture: 130.R0.009-1

Material-assembly-group-no: 4181.298.006



6 AP 1200 B /  
REPAIR KIT





# Picture

Page 1 from 1

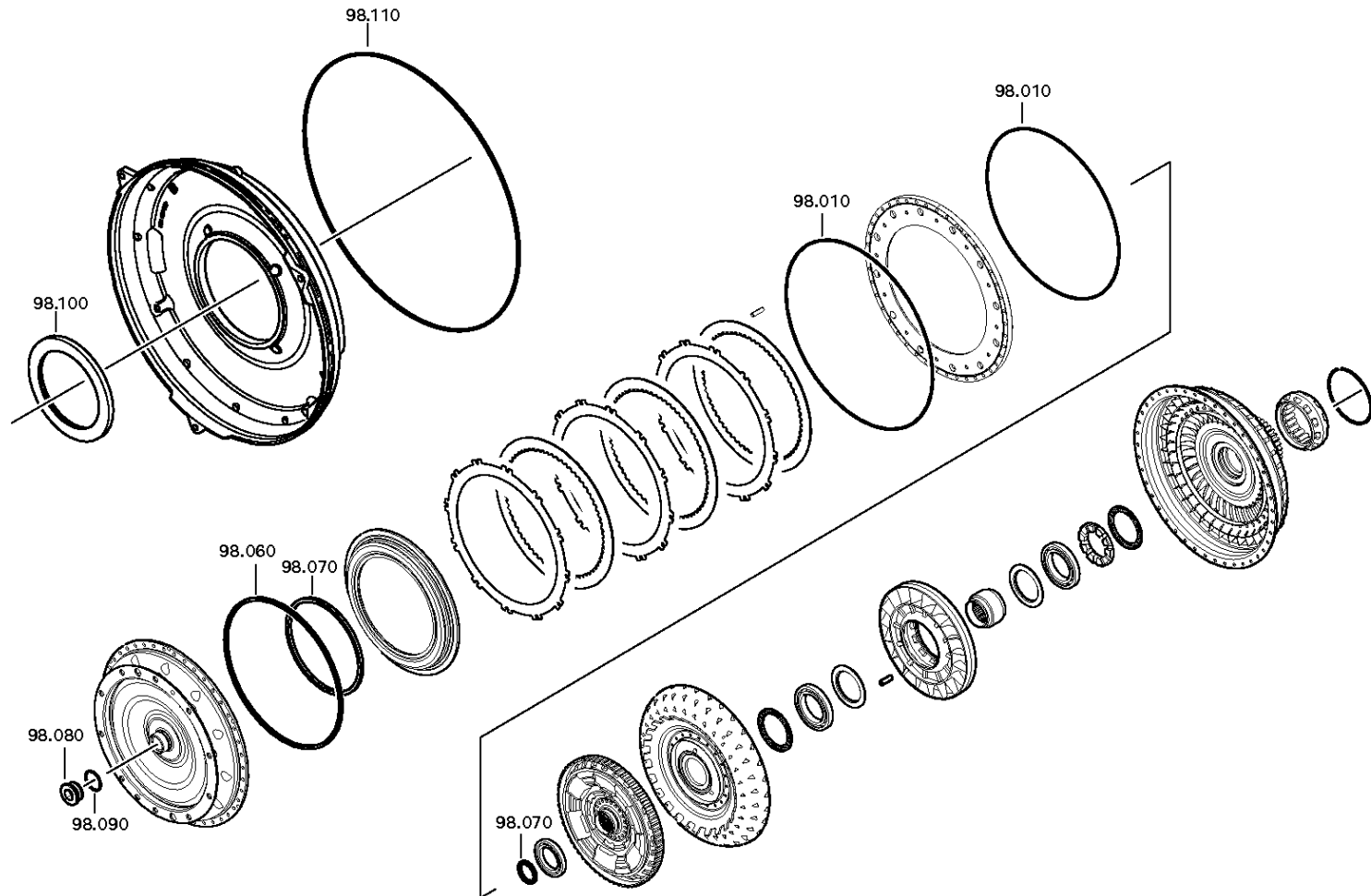
Material number: 4181.020.255

Picture: 130.R0.17-1

Material-assembly-group-no: 4181.298.009



6 AP 1200 B /  
SEALING RING KIT



# Picture

Page 1 from 1

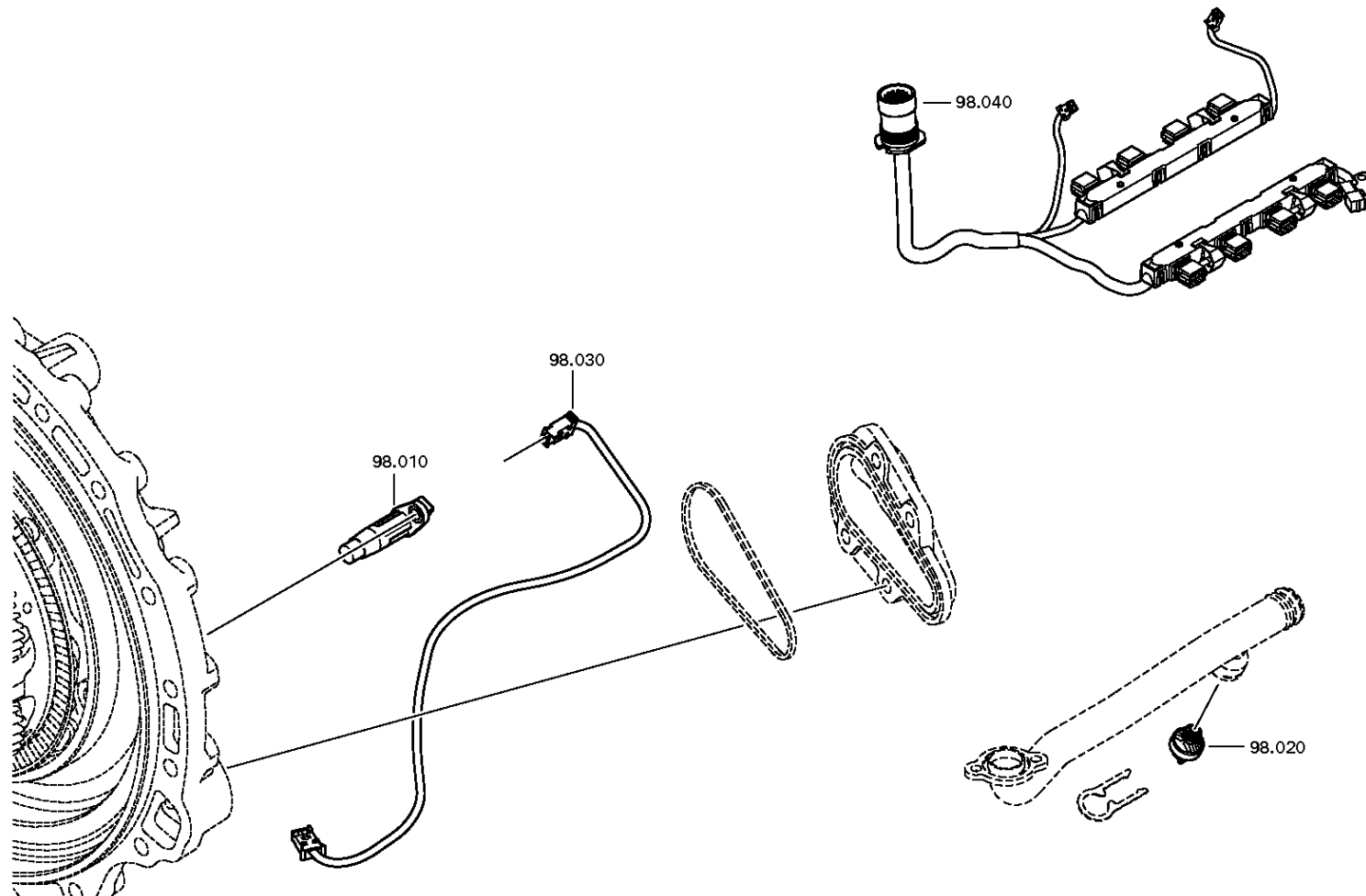
Material number: 4181.020.255

Picture: 130.R0.03-1

Material-assembly-group-no: 4181.298.020



6 AP 1200 B /  
REPAIR KIT



# Picture

Page 1 from 1

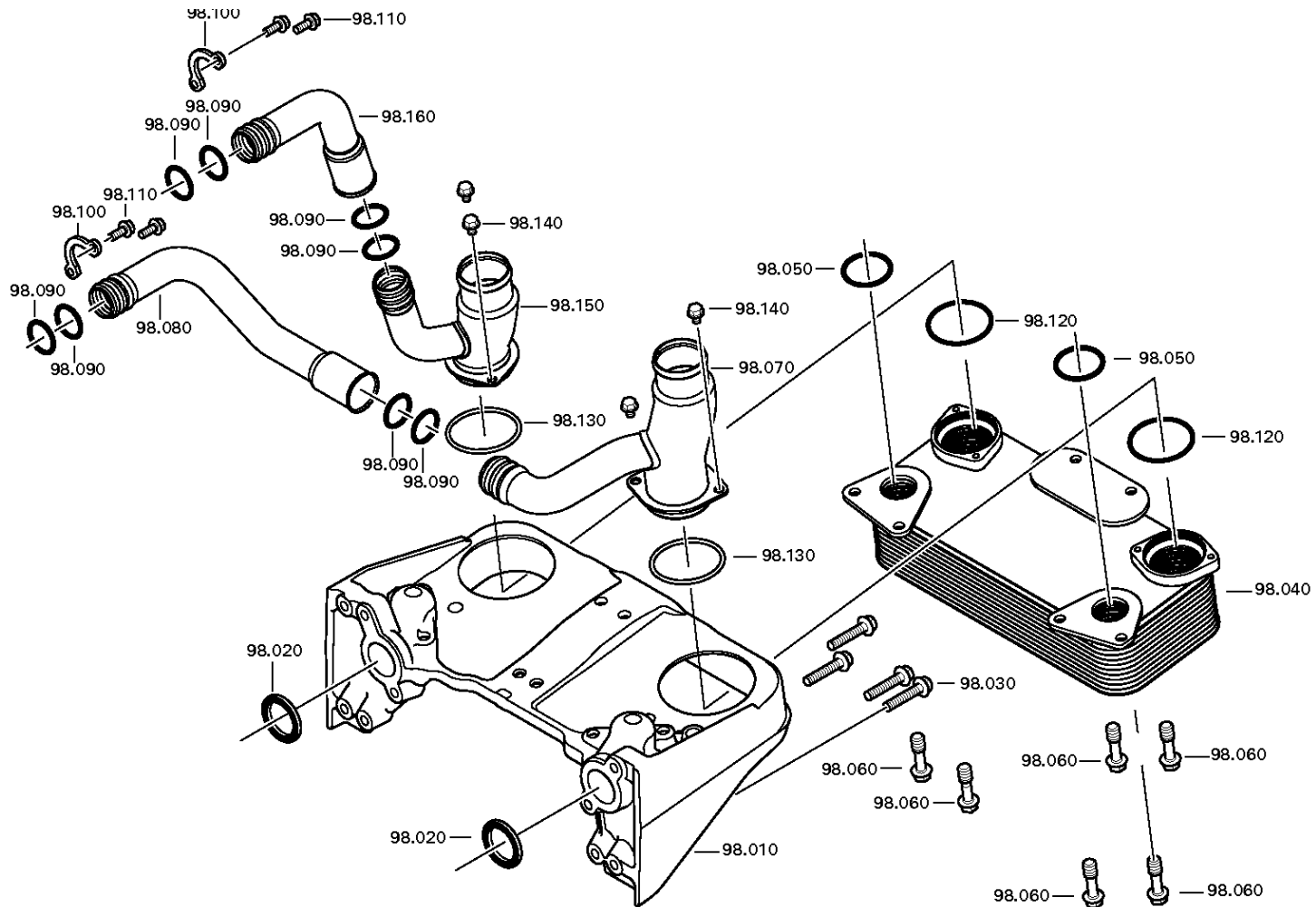
Material number: 4181.020.255

Picture: 130.R0.11-1

Material-assembly-group-no: 4181.298.031



6 AP 1200 B /  
REPAIR KIT



# Picture

Page 1 from 1

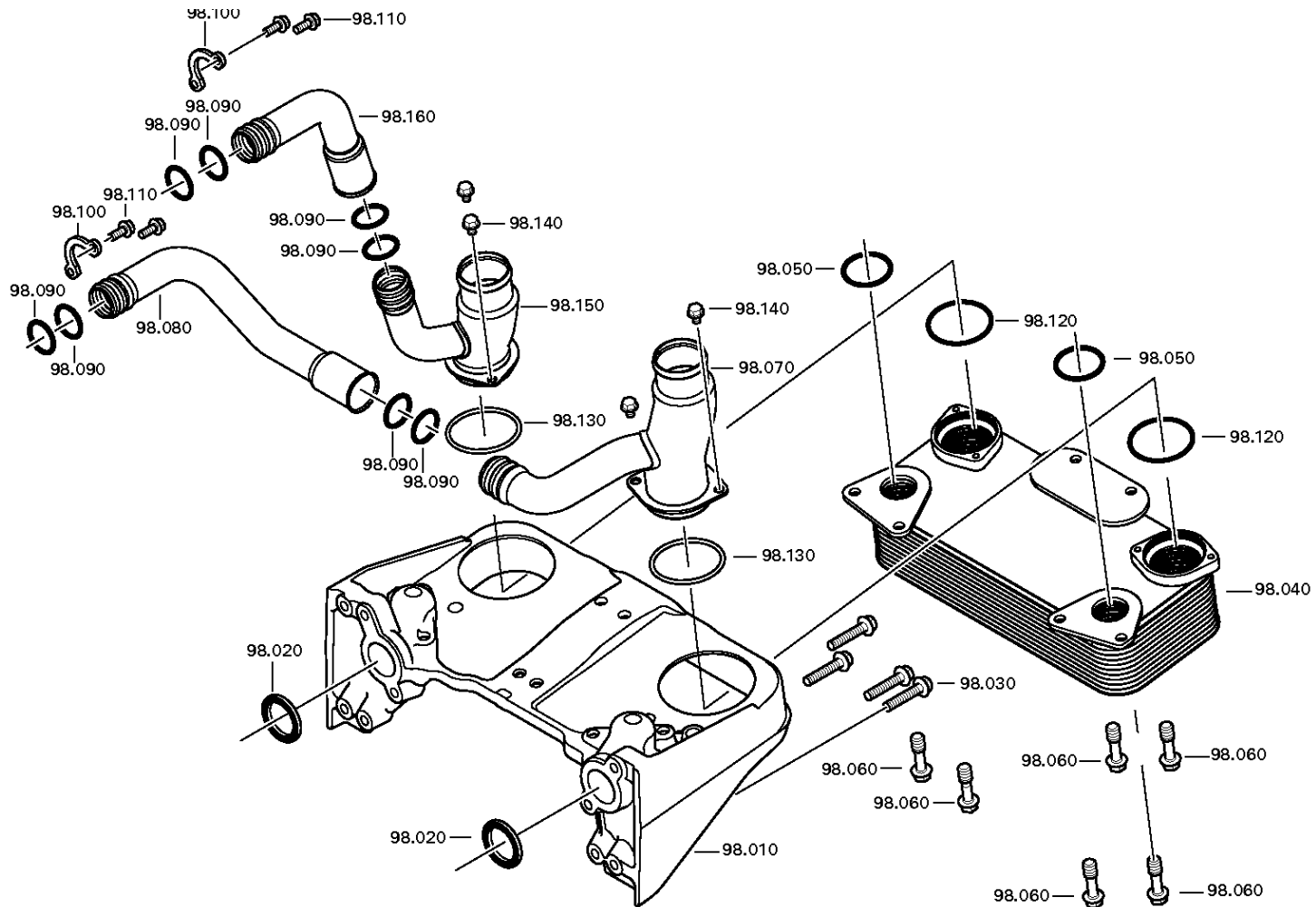
Material number: 4181.020.255

Picture: 130.R0.11-1

Material-assembly-group-no: 4181.298.032



6 AP 1200 B /  
REPAIR KIT



# Picture

Page 1 from 2

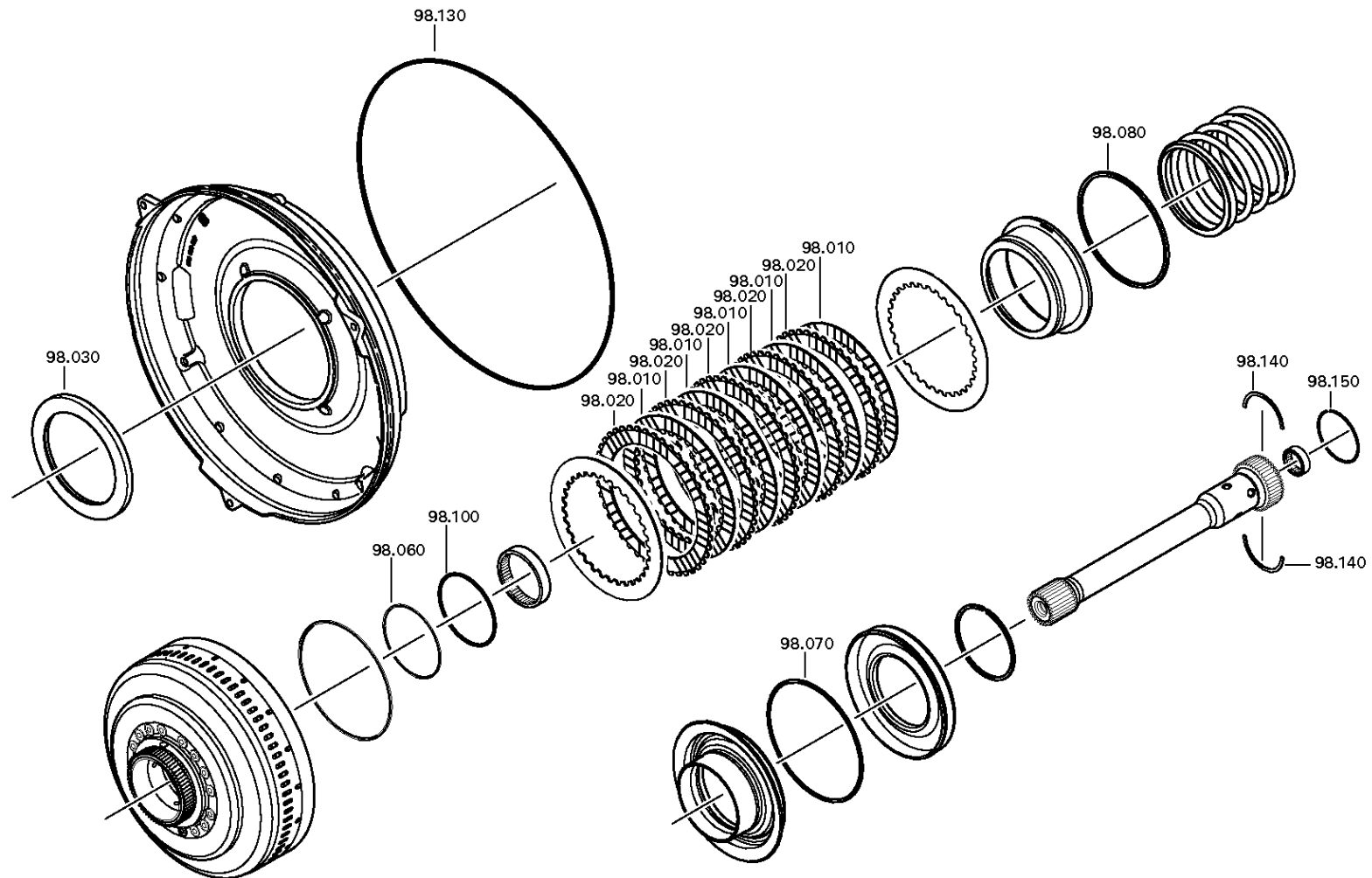
Material number: 4181.020.255

Picture: 130.R0.13-1

Material-assembly-group-no: 4181.298.038



6 AP 1200 B /  
REPAIR KIT



# Picture

Page 2 from 2

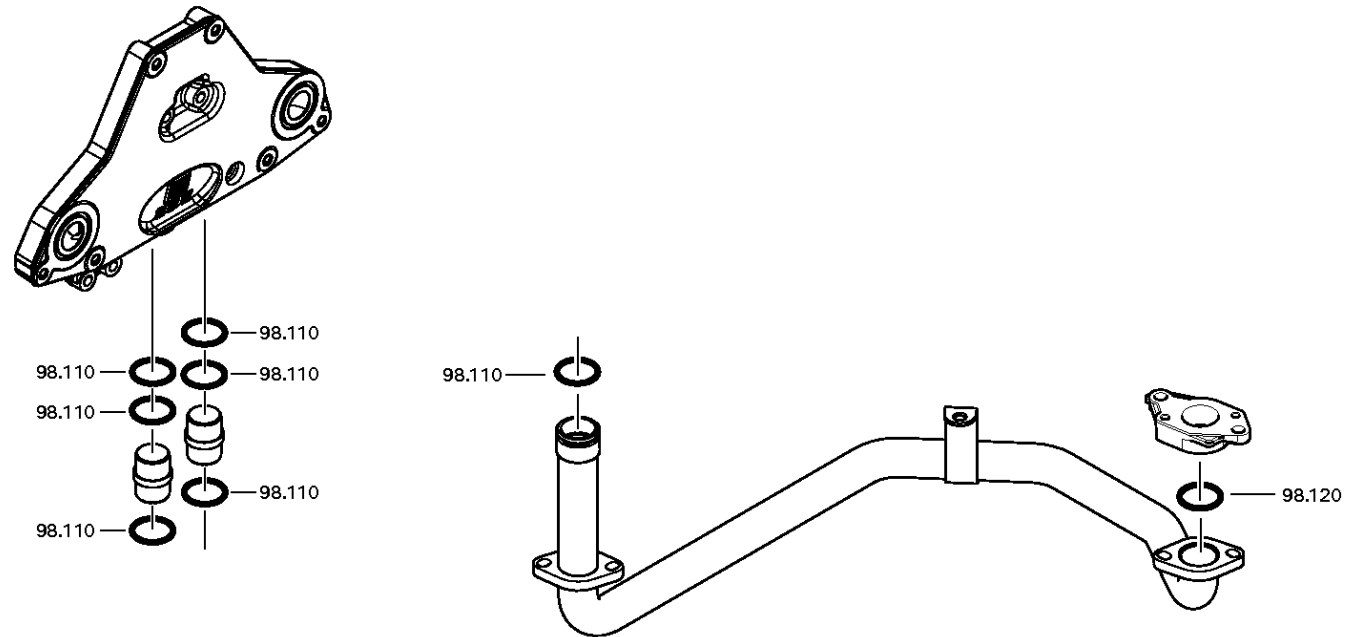
Material number: 4181.020.255

Picture: 130.R0.13-2

Material-assembly-group-no: 4181.298.038



6 AP 1200 B /  
REPAIR KIT



# Picture

Page 1 from 1

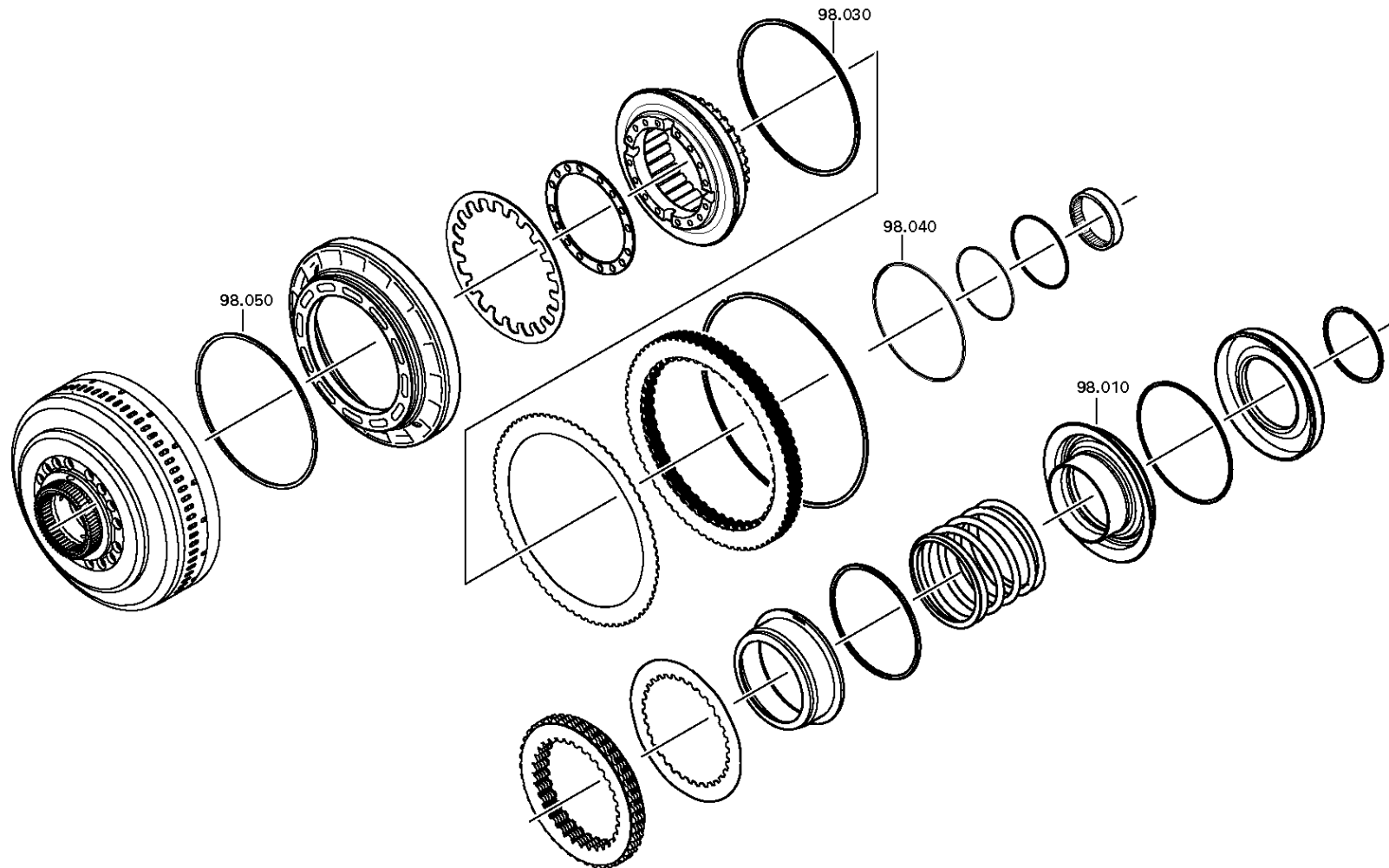
Material number: 4181.020.255

Picture: 130.R0.14-1

Material-assembly-group-no: 4181.298.040



6 AP 1200 B /  
REPAIR KIT



# Picture

Page 1 from 1

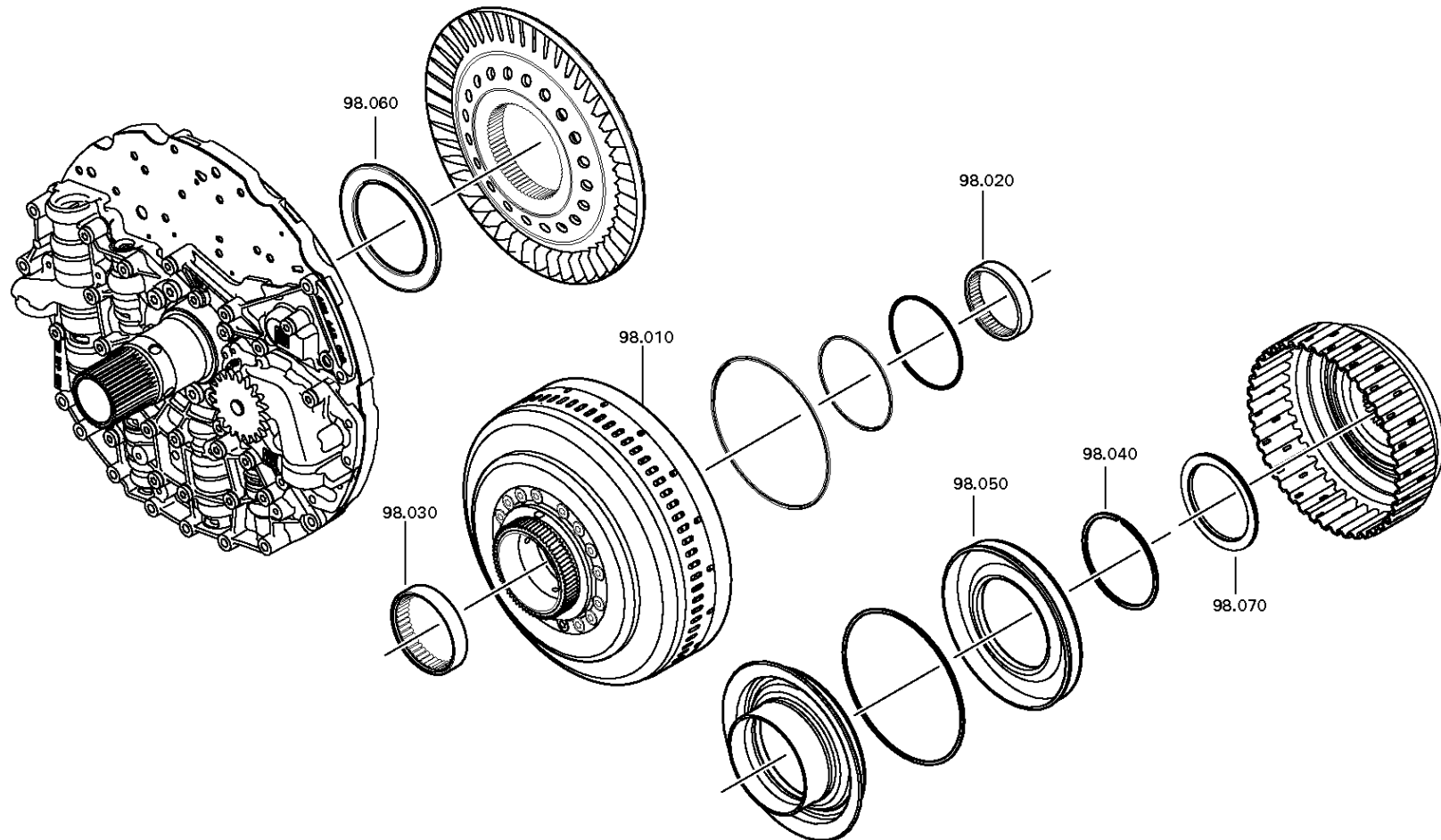
Material number: 4181.020.255

Picture: 130.R0.15-1

Material-assembly-group-no: 4181.298.041



6 AP 1200 B /  
REPAIR KIT







# Picture

Page 1 from 1

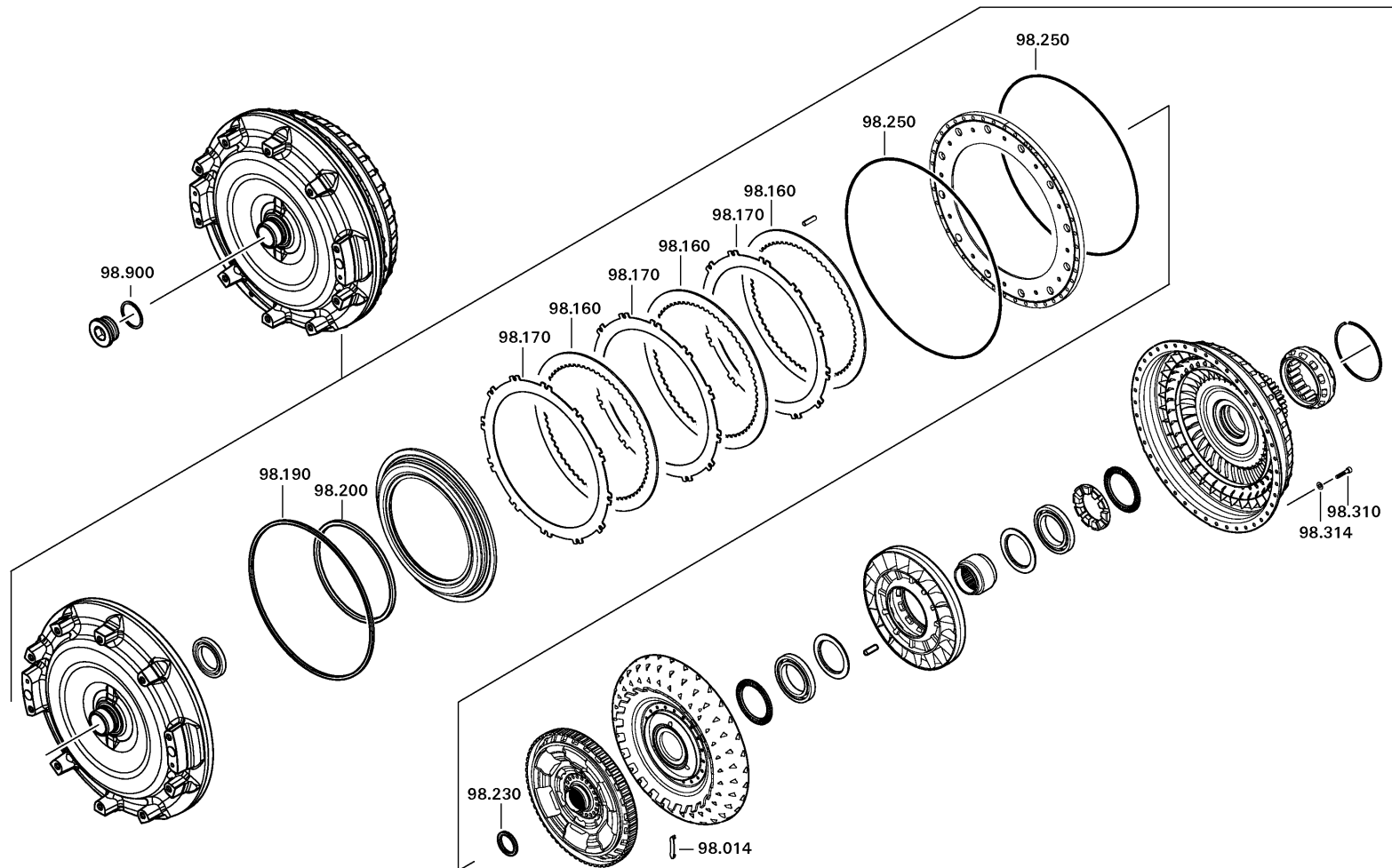
Material number: 4181.020.255

Picture: 130.R0.028-1

Material-assembly-group-no: 4181.298.058



6 AP 1200 B /  
REPAIR KIT



# Picture

Page 1 from 3

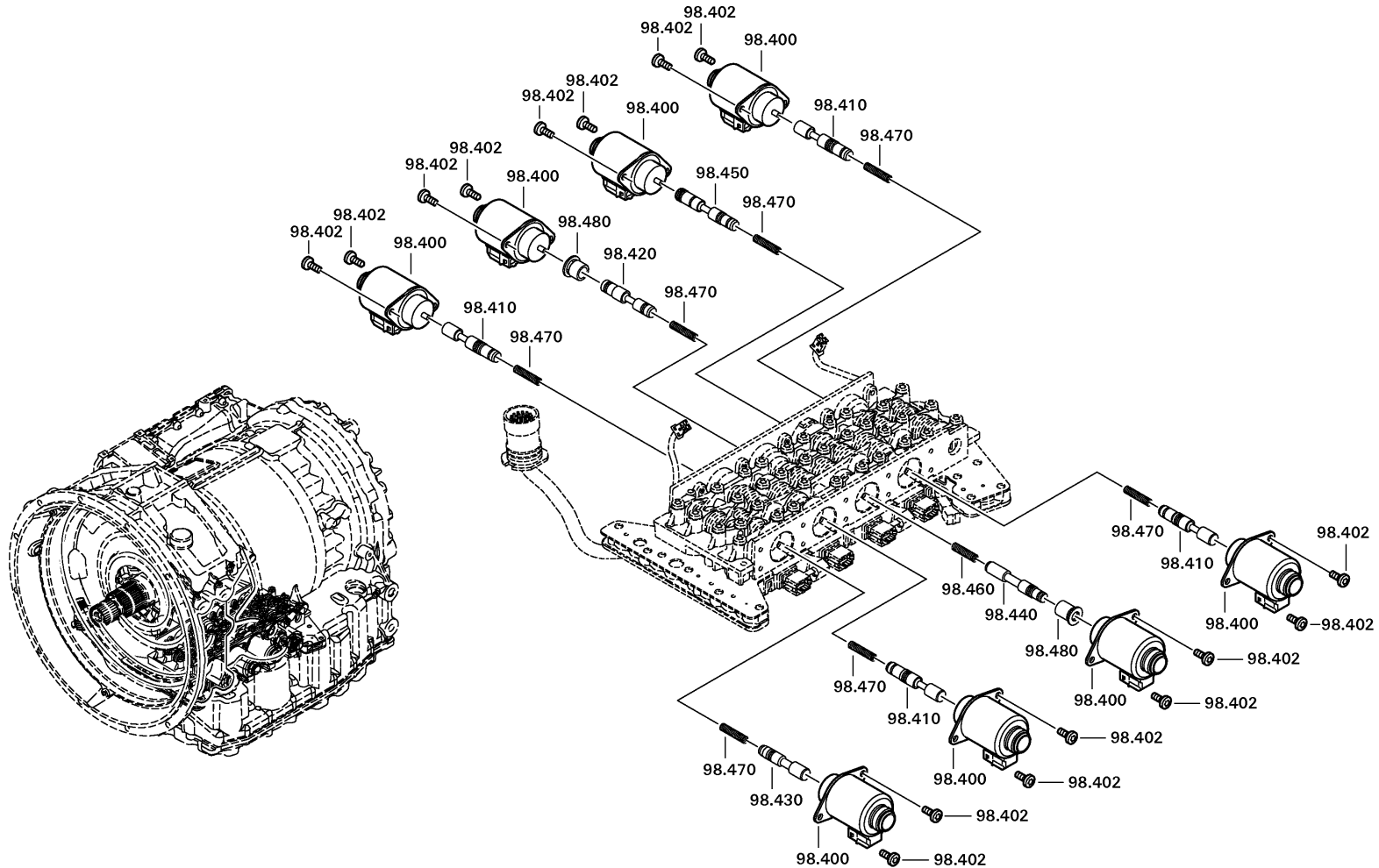
Material number: 4181.020.255

Picture: 130.R0.037-1

Material-assembly-group-no: 4181.298.064



6 AP 1200 B /  
REPAIR KIT



# Picture

Page 2 from 3

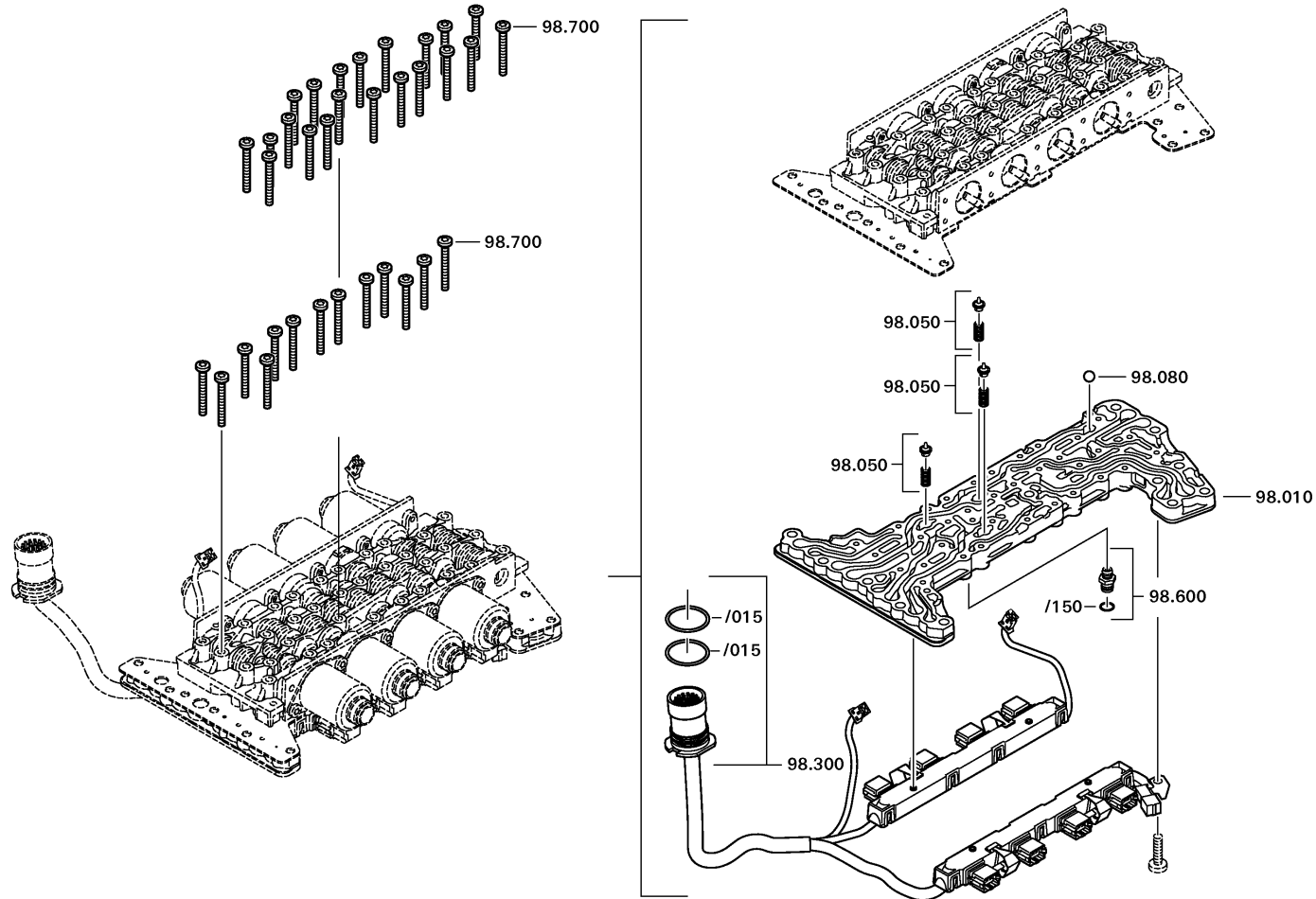
Material number: 4181.020.255

Picture: 130.R0.037-2

Material-assembly-group-no: 4181.298.064



6 AP 1200 B /  
REPAIR KIT



# Picture

Page 3 from 3

Material number: 4181.020.255

Picture: 130.R0.037-3

Material-assembly-group-no: 4181.298.064



6 AP 1200 B /  
REPAIR KIT

