



# Spare Parts Catalog

6 AP 1400 B

Material number: 4181.040.150

Current date: 16.10.2018

ZF Friedrichshafen AG  
Hauptverwaltung  
80038 Friedrichshafen  
Deutschland

Telefon: +49 7541 77-0

Telefax: +49 7541 77-908000

[www.zf.com](http://www.zf.com)

zuständiges Werk:  
Friedrichshafen

# Notes relating to the spare parts catalog

## Setup of the spare parts catalog

- Cover sheet
- Technical Cover (only in SDM print)
- Overview of figures
- Figure
- Associated parts list
- Next figure
- Associated parts list
- ...

## Figure and parts list



## Overview of figures

Bildtafel Figure	Sachnummer Product number	Benennung (Description)	Technische Info Technical info	Description (Benennung)	Menge Quantity	Einheit Unit
068.08.17	1316.170.001	AUSLEGER	WL	SHIFT TURRET	1	Stk
068.08.06	1316.170.031	DECKEL	WL*H-H *VM	COVER	1	Stk
068.08.14	1316.170.808	DECKEL	WL*AUSL+GEH*H-H*HF160N	COVER	1	Stk
08	1316.170.441	ANSCHLUSSTEILE	WL*NG-VORB*RG-SCHL*168N *BAJONETT	CONNECTING PARTS	1	Stk

The "gap" indicates that there is no separate graphics panel (poster) for this assembly  
The parts of this assembly are shown with the same mid-section number on the figure

### 1 Positions and subpositions

Pos.	Sachnummer Product number	Benennung (Description)	Technische Info Technical info	Description (Benennung)	Menge Quantity	Einheit Unit
0370	1315.201.054	RUECKLAUFBOLZEN	KPL.16S151*SG*L= 79	REV.IDLER SHAFT	1	Stk
/0120	0631.329.293	SPANNSTIFT		SLOT. PIN	1	Stk

Positions marked with "/" are the individual items of a completion  
For example: Position 0370 contains a centering pin with the position /0120

### 2 Combinations with standardized parts

Pos.	Sachnummer Product number	Benennung (Description)	Technische Info Technical info	Description (Benennung)	Menge Quantity	Einheit Unit
0630		VERSCHL.SCHR.		SCREW PLUG	1	Stk
	0636.302.067	VERSCHL.SCHR.		SCREW PLUG	1	Stk
	0634.801.249	DICHTRING	A 26 X 31	SEALING RING	1	Stk

The parts list shows the components included in the combination of standardized parts

### 3 Depiction of position/item number on the figure and in the parts list

01.620 - on the figure      01 relates to the assembly in which the position is included. Due to program-related reasons, it is shown on the figure.

0620 - in the parts list

Pos.	Sachnummer Product number	Benennung (Description)	Technische Info Technical info	Description (Benennung)	Menge Quantity	Einheit Unit
0620	0732.040.736	DRUCKFEDER		COMPRESSION SPRING	1	Stk

### 4 \*-Positions

Positions marked with an \* are optional i.e. inclusion in the parts list is not mandatory.  
The following note is shown on the figure

je nach Stücklistenausführung  
depending on spec. number  
\*  
suivant la nomenclature  
secondo la distinta base

### 5 Parts, dotted display

Parts with dotted display on the figure are only used for orientation of other parts

# Technical Cover

Page 1 from 2

Material number: 4181.040.150



6 AP 1400 B /

Pos.	Information	Amendment number
001	Use case -----	
002	Customer Liaz Sipox A.S.	
003	City NN	
004	DUNS 49-506-3471	
005	Product description -----	
006	NUMBER OF TYPE PLATES 1	
007	POSITION 1.TYPE PLATE 12A	
008	POSITION 2.TYPE PLATE	
009	POSITION 3.TYPE PLATE	
010	RATIO, BOTTOM GEAR 3.36	
011	RATIO, TOP GEAR .62	
012	RATIO, 1ST GEAR 3.36	
013	RATIO, 2ND GEAR 1.91	
014	RATIO, 3RD GEAR 1.42	
015	RATIO, 4TH GEAR 1	
016	RATIO, 5TH GEAR .72	
017	RATIO, 6TH GEAR .62	
018	RATIO, 1ST GEAR REVERSE 4.24	
019	DESIGN, OUTPUT COAXIAL	
020	OUTSIDE DIA., OUTPUT FLANGE 180.000 mm	
022	NUMBER OF BOLTS, OUTPUT FLANGE 4	
026	DIA,THREAD,OUTPUT FLANGE BOLT M14	
029	THREAD PITCH OUTPUT FLANGE SCREW 1.5 mm	
031	LENGTH THREAD OUTPUT FLANGE SCREWS 50.000 mm	
033	BRAKE TORQUE MAX 1900 Nm	
034	OUTP.SPEED AT MAX BRAKE TORQUE 1900 1/min	
035	ATTACHM.POS.HEAT EXCHANGER AT REAR	
036	DESIGN CONVERTER W370-6-TP5 D	
037	CONVERTER CHARACTERISTIC $\mu$ 2.160	
040	ADJUST DIM. ENG CONNECT. 71.25 mm	
041	DIAMETER ROOT CONVERTER DIAPHRAGM 380.000 mm	
042	NO PULSES PULSE SENSOR TM H70 6 IMP/U	
045	OIL CAPACITY, GEARBOX 38 dm <sup>3</sup>	

# Technical Cover

Page 2 from 2

Material number: 4181.040.150



6 AP 1400 B /

Pos.	Information	Amendment number
046	OIL FILL VARIANT EX WORKS	
047	OIL GRADE PERMISSIBLE ACC. TO TE-ML20	
048	INDEX OF CALIBRATE 1600.000 mA	
049	HDV VIBRATION OPTIMISED 02 NO	
050	CHECK VALVE START/STOP WITHOUT	
051	CODING OUTER CONSERVATION KA1	
052	SCOPE OUTER CONSERVATION T	
053	CODING INNER CONSERVATION KI1	
054	CONSERVATION SPECIFICATION ZFN 916	
055	ACTIVATED PROGRAMMING DATA FIELD 1	
056	POS.DIPSTICK PARTS LENGTHWISE +4 DEGREE TO +7 DEGREE	
057	POS.DIPSTICK PARTS CROSSWISE 0 DEGREE TO +2 DEGREE	

# Assembly group overview

Page 1 from 3



Material number: 4181.040.150

6 AP 1400 B /

Graphics	Pos.	Material number	Name	Quantity	Amend. no.	Techn. Info.
130.C2.02-1	910	6070.003.010	EST ECOLIFE	1		
130.C3.03-1	920	6029.039.124	CABLE ECOLIFE	1		
130.F5.01-1	990	6070.203.504	SOFTWARE	1		
130.01.02-1	110	4181.100.061	BASIC GEARBOX	1		
130.01.80-1	120	4181.180.010	TYPE PLATE	1		
130.01.82-1	198	0501.314.773	TAG	1		
130.02.01-1	110	4181.102.057	TRANSMISSION HOUSING	1		
130.03.03-1	310	4181.103.005	BRAKE F	1		
130.03.80-1	350	4181.103.801	BRAKE F	1		
130.05.01-1	160	4181.212.053	PISTON	1		
130.07.51-1	310	4181.107.804	COVER	1		
130.07.03-1	500	4181.107.051	ACCUMULATOR	1		
130.07.80-1	510	4181.107.850	ACCUMULATOR	1		
130.08.01-1	600	4181.108.007	OIL TUBE	1		
130.08.80-1	610	4181.108.803	OIL TUBE	1		
130.09.02-1	650	4181.108.051	OIL TUBE	1		
130.09.81-1	660	4181.108.854	OIL TUBE	1		
130.10.01-1	150	4181.110.052	OUTPUT	1		
130.10.52-1	156	4181.110.850	SPEED SENSOR	1		
130.10.80-1	170	4181.110.851	OUTPUT COVER	1		
130.11.01-1	150	4181.102.850	CLOSING COMPONENTS	1		
130.11.02-1	160	4181.102.805	CLOSING COMPONENTS	1		
130.12.02-1	100	4181.112.050	OUTPUT COVER	1		
130.13.01-1	200	4181.113.005	BEARING UNIT	1		
130.13.80-1	210	4181.113.801	BEARING UNIT	1		
130.17.03-1	200	4181.117.020	PLANETARY GEAR	1		
130.19.01-1	630	4181.108.054	MANIFOLD	1		
130.19.80-1	640	4181.108.850	MANIFOLD	1		
130.22.02-1	300	4181.122.015	PLANETARY DRIVE	1		
130.23.01-1	200	4181.123.015	PLANETARY DRIVE	1		
130.24.02-1	100	4181.124.007	INPUT SHAFT	1		
130.25.03-1	100	4181.125.021	PLANET CARRIER	1		

# Assembly group overview

Page 2 from 3



Material number: 4181.040.150

6 AP 1400 B /

Graphics	Pos.	Material number	Name	Quantity	Amend. no.	Techn. Info.
130.26.01-1	200	4181.126.053	BRAKE	1		
130.27.01-1	100	4181.125.022	PLANET CARRIER	1		
130.28.04-1	100	4181.127.053	DISC CARRIER	1		
130.29.80-1	152	4181.129.801	CHANGE OVER VALVE	1		
130.29.01-1	300	4181.129.053	PISTON SUPPORT	1		
130.30.01-1	400	4181.129.802	PISTON SUPPORT	1		
130.40.80-1	550	4181.140.801	OIL SUPPLY	1		
130.41.01-1	100	4181.141.053	OIL SUPPLY	1		
130.42.01-1	100	4181.142.050	OIL FEED FLANGE	1		
130.43.01-1	150	4181.143.010	STATOR SHAFT	1		
130.44.82-1	210	4181.144.802	STATOR RING	1		
130.44.81-1	810	4181.144.803	SEALING WASHER	1		
130.46.01-1	400	4181.146.005	VALVE HOUSING	1		
130.46.80-1	410	4181.146.802	VALVE HOUSING	1		
130.47.01-1	500	4181.147.007	PRIMARY PUMP	1		
130.47.50-1	510	4181.147.802	PUMP	1		
130.48.80-1	310	4181.147.803	PUMP COVER	1		
130.49.80-1	610	4181.148.801	SUPPORTING PLATE	1		
130.50.01-1	200	4181.150.053	CLUTCH UNIT A+B	1		
130.51.01-1	100	4181.151.053	COUPLING B	1		
130.52.01-1	100	4181.152.007	HUB	1		
130.52.80-1	320	4181.152.804	OIL DAM	1		
130.54.03-1	200	4181.154.031	COUPLING A	1		
130.57.01-1	410	4181.157.002	INPUT SHAFT	1		
130.58.01-1	440	4181.158.006	QUILL SHAFT	1		
130.60.02-1	710	4181.160.050	COVER PLATE	1		
130.60.80-1	750	4181.160.801	COVER PLATE	1		
130.68.02-1	300	4181.184.050	OIL TUBE	1		
130.68.82-1	310	4181.184.851	HEAT EXCHANGER	1		
130.68.81-1	360	4181.184.801	HEAT EXCHANGER	1		
130.70.01-1	810	4181.170.016	SHIFT CONTROL	1		
130.70.81-1	850	4181.170.804	SHIFT CONTROL	1		

# Assembly group overview

Page 3 from 3



6 AP 1400 B /

Material number: 4181.040.150

Graphics	Pos.	Material number	Name	Quantity	Amend. no.	Techn. Info.
130.71.81-1	860	4181.170.850	WIRING HARNESS	1		
130.73.80-1	250	4181.170.803	VALVE BLOCK	1		
130.74.02-1	800	4181.174.004	POSITION SENSOR	1		
130.75.01-1	910	4181.175.003	SUCTION FILTER	1		
130.75.80-1	920	4181.175.801	SUCTION FILTER	1		
130.76.81-1	970	4181.176.850	OIL PAN	1		
130.77.02-1	100	4181.177.050	OIL PAN	1		
130.78.03-1	200	4181.378.007	FILTER COVER	1		
130.78.80-1	210	4181.178.803	FILTER COVER	1		
130.79.01-1	950	4181.179.003	PRESSURE FILTER	1		
130.81.18-1	130	4181.181.103	DIPSTICK PARTS	1		
130.81.18-1	136	0636.100.445	HEXAGON SCREW	1		
130.83.01-1	210	4181.291.067	OUTPUT FLANGE	1		
130.83.50-1	250	4181.183.808	OUTPUT FLANGE	1		
130.83.80-1	260	4181.183.812	PULSE SENSOR	1		
130.84.05-1	410	4181.284.054	BRACKET	1		
130.84.84-1	414	4181.184.850	BRACKET	1		
130.85.04-1	460	4181.285.062	TUBE	1		
130.85.81-1	464	4181.184.863	TUBE	1		
130.86.02-1	440	0501.221.862	HEAT EXCHANGER	1		
130.86.81-1	444	4181.185.812	HEAT EXCHANGER	1		
130.87.80-1	390	4181.184.822	COVER	1		
130.88.81-1	914	4181.188.801	CONTROL UNIT	1		
130.89.05-1	450	4181.285.061	TUBE	1		
130.85.81-1	454	4181.184.863	TUBE	1		
130.96.04-1	310	0501.008.873	CONVERTER	1		
130.97.01-1	320	4181.182.803	CONVERTER	1		
130.98.01-1	350	0768.409.579	SCREW PLUG	1		

# Plant

Page 1 from 1

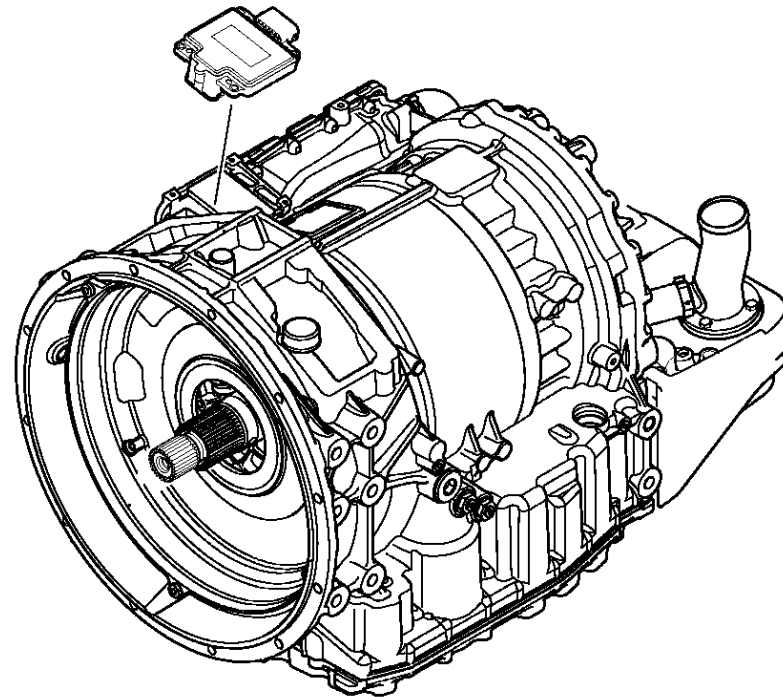
Material number: 4181.040.150

Plant: 130.C2.02-1

Material-assembly-group-no: 6070.003.010



6 AP 1400 B /  
EST ECOLIFE





# Plant

Page 1 from 1

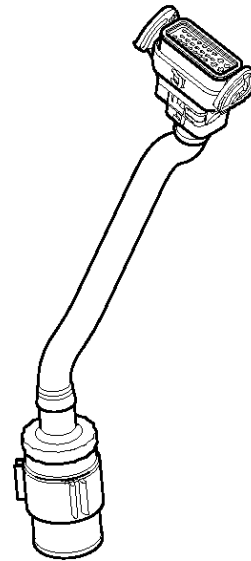
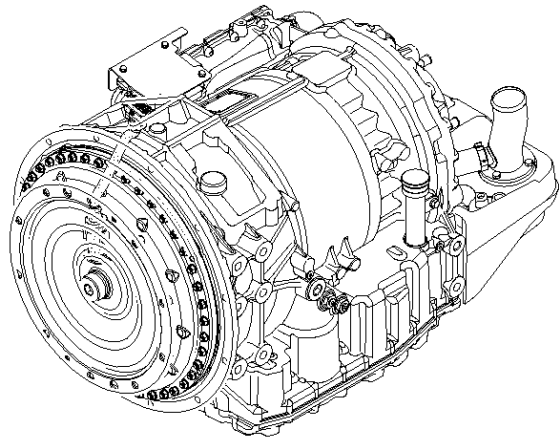
Material number: 4181.040.150

Plant: 130.C3.03-1

Material-assembly-group-no: 6029.039.124



6 AP 1400 B /  
CABLE ECOLIFE



# Plant

Page 1 from 1

Material number: 4181.040.150

Plant: 130.F5.01-1

Material-assembly-group-no: 6070.203.504



6 AP 1400 B /  
SOFTWARE



# Plant

Page 1 from 4

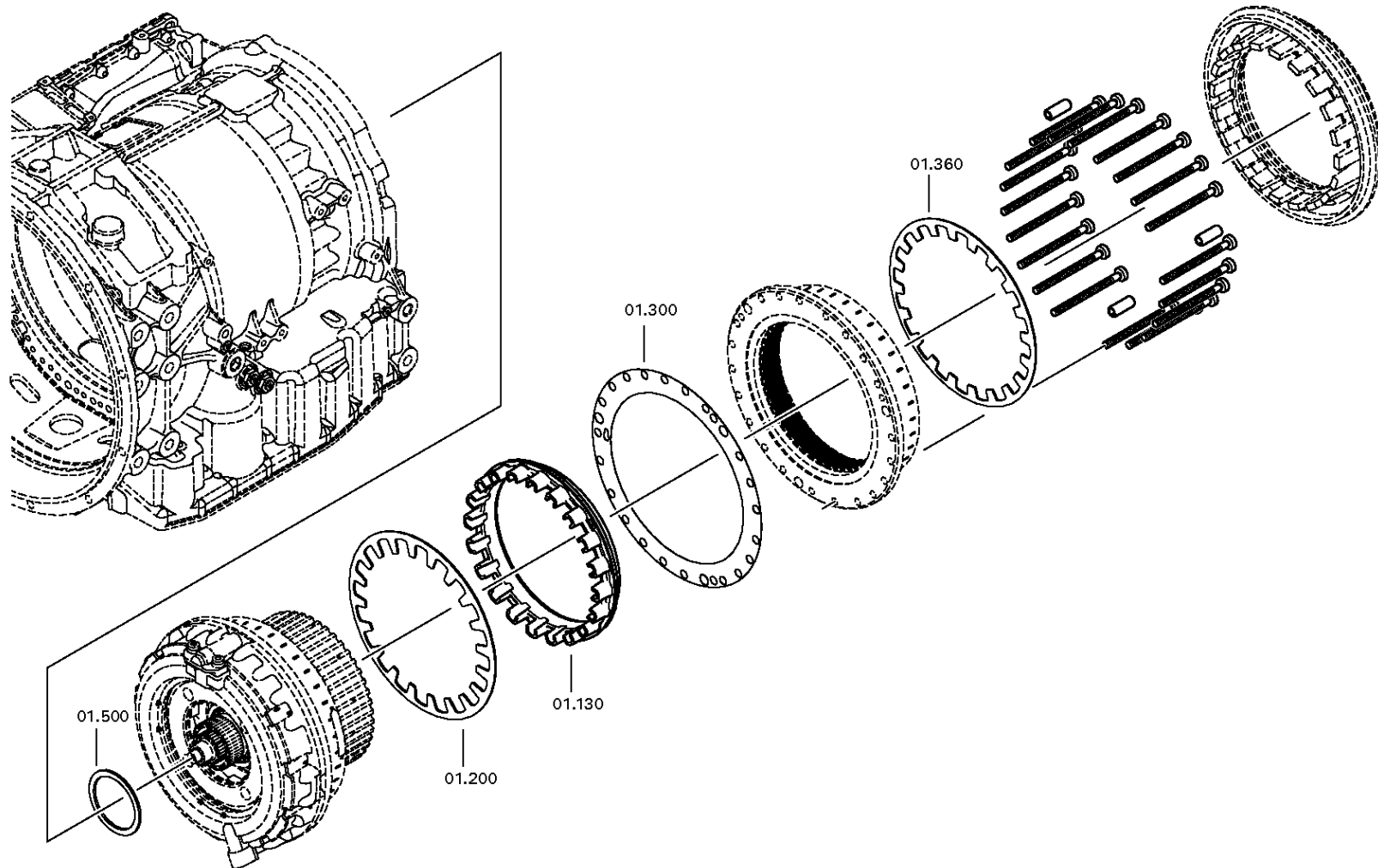
Material number: 4181.040.150

Plant: 130.01.02-1

BASIC GEARBOX



6 AP 1400 B /  
BASIC GEARBOX



# Plant

Page 2 from 4

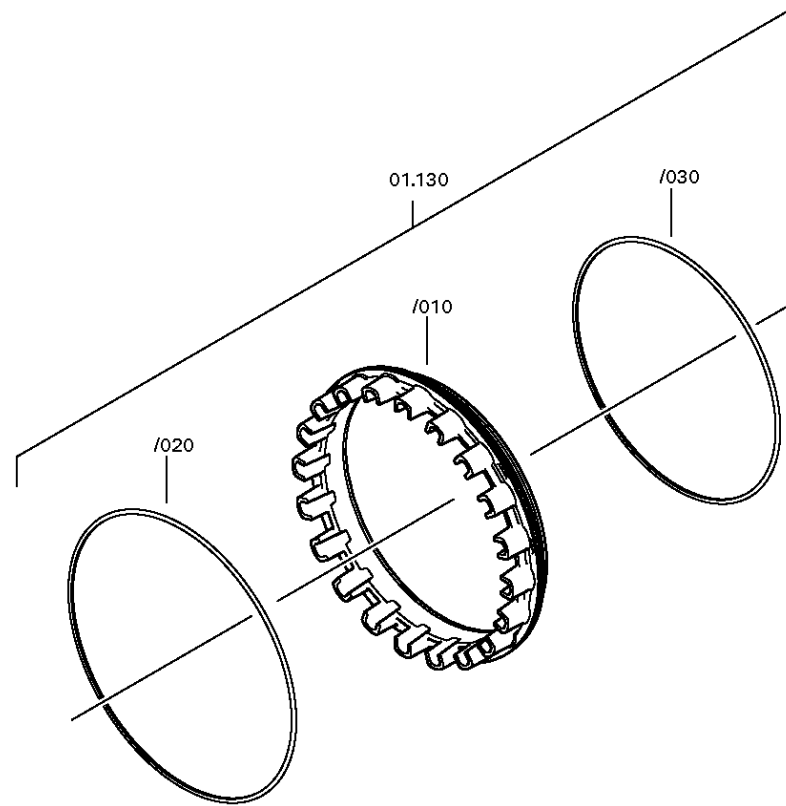
Material number: 4181.040.150

Plant: 130.01.02-2

BASIC GEARBOX



6 AP 1400 B /  
BASIC GEARBOX



# Plant

Page 3 from 4

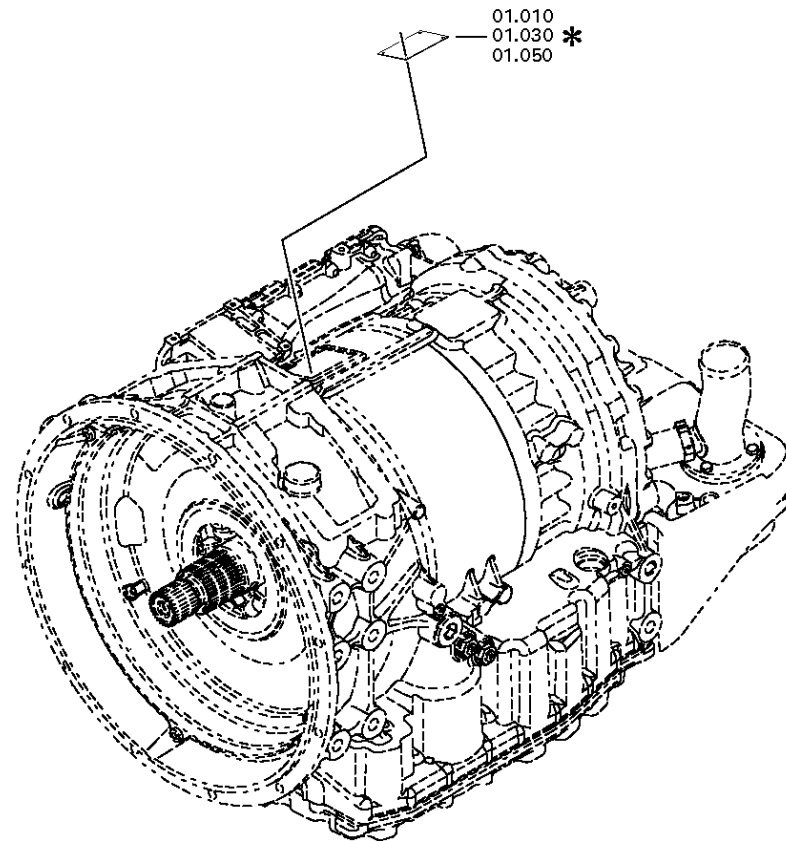
Material number: 4181.040.150

Plant: 130.01.80-1

BASIC GEARBOX



6 AP 1400 B /  
BASIC GEARBOX



# Plant

Page 4 from 4

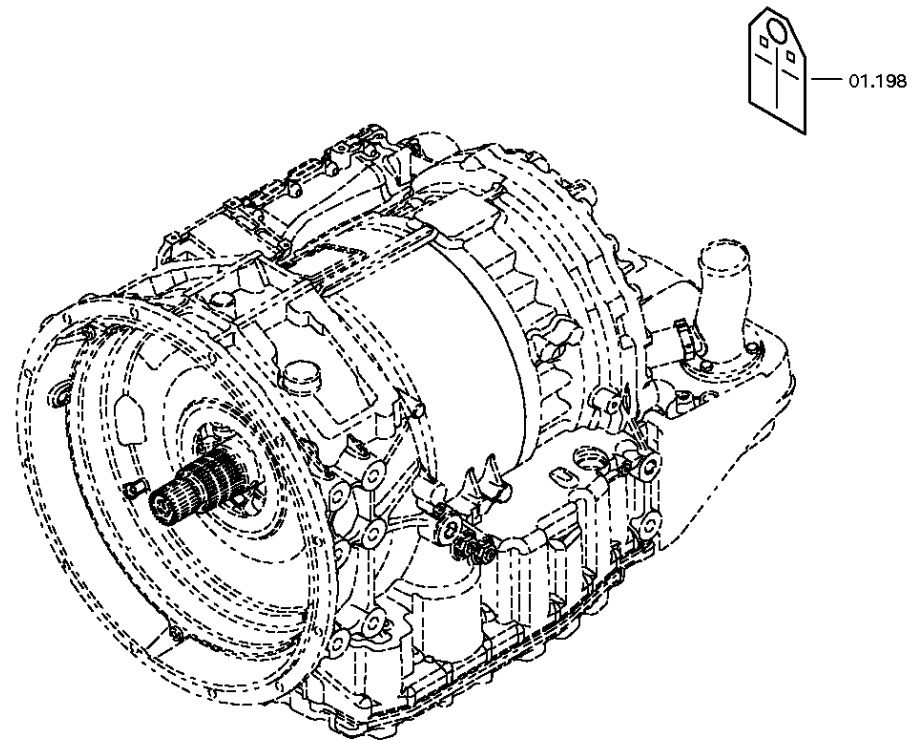
Material number: 4181.040.150

Plant: 130.01.82-1

BASIC GEARBOX



6 AP 1400 B /  
BASIC GEARBOX



# Plant

Page 1 from 1

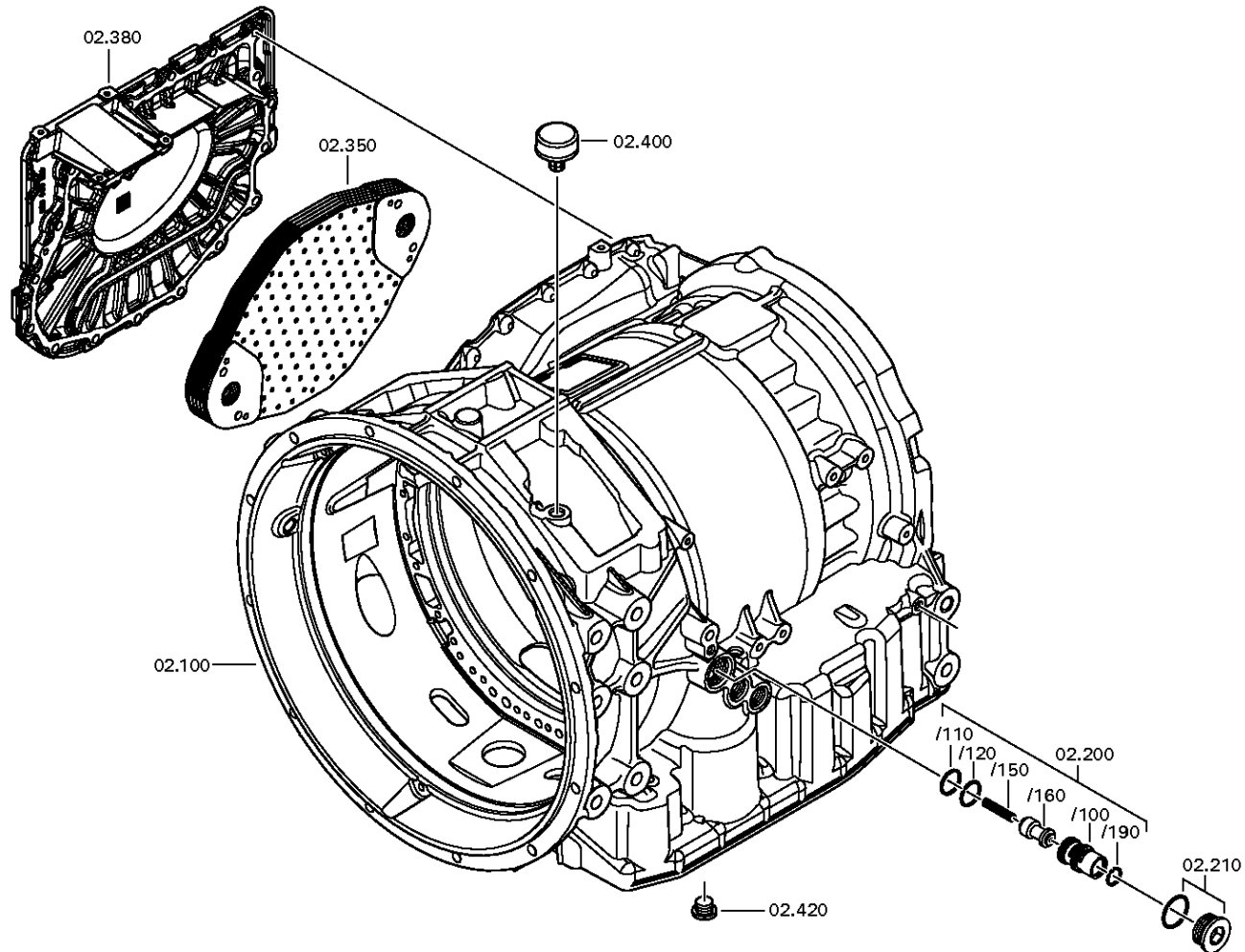
Material number: 4181.040.150

Plant: 130.02.01-1

Material-assembly-group-no: 4181.102.057



6 AP 1400 B /  
TRANSMISSION HOUSING



# Plant

Page 1 from 3

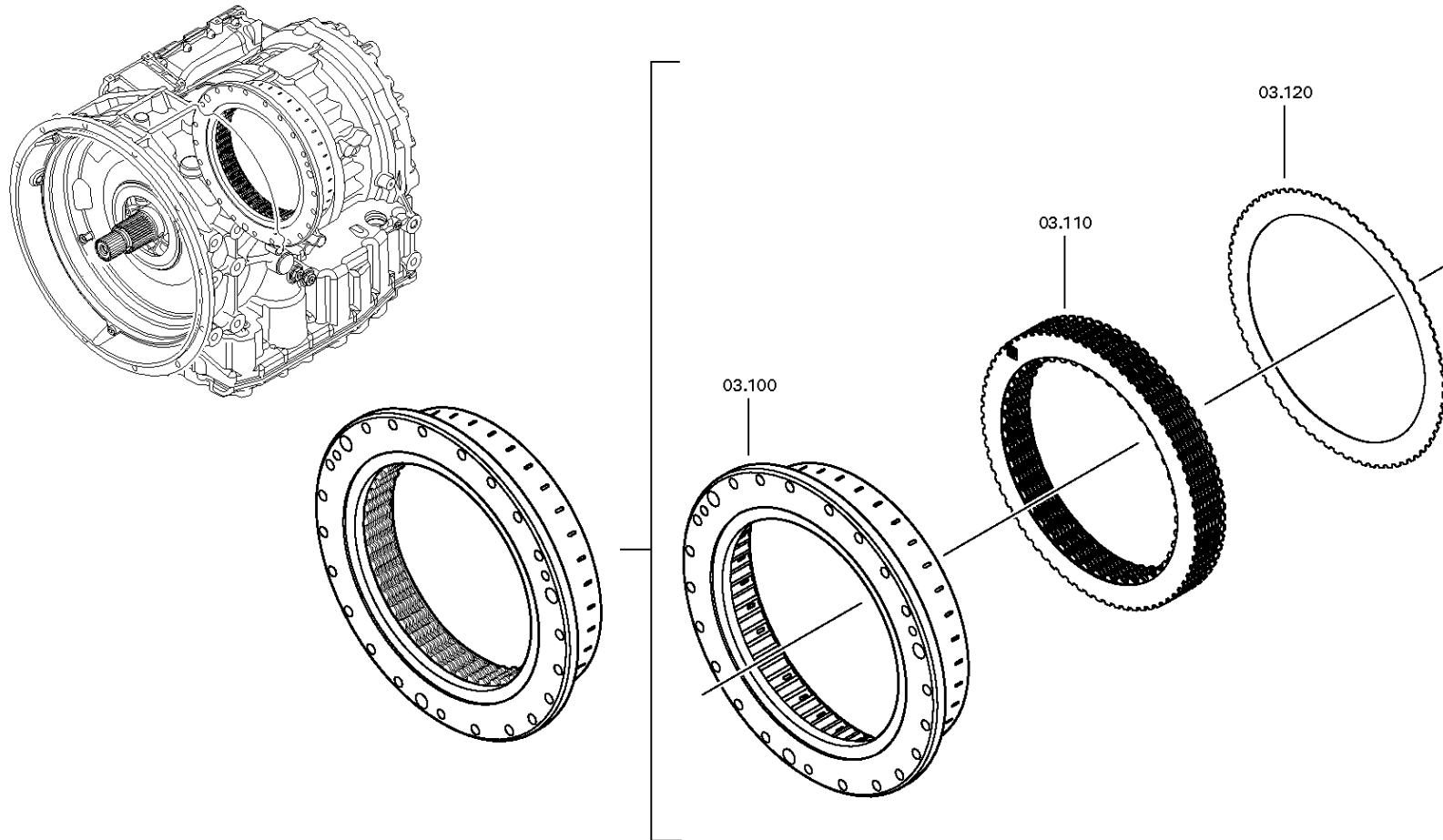
Material number: 4181.040.150

Plant: 130.03.03-1

BRAKE F



6 AP 1400 B /  
BRAKE F





# Plant

Page 2 from 3

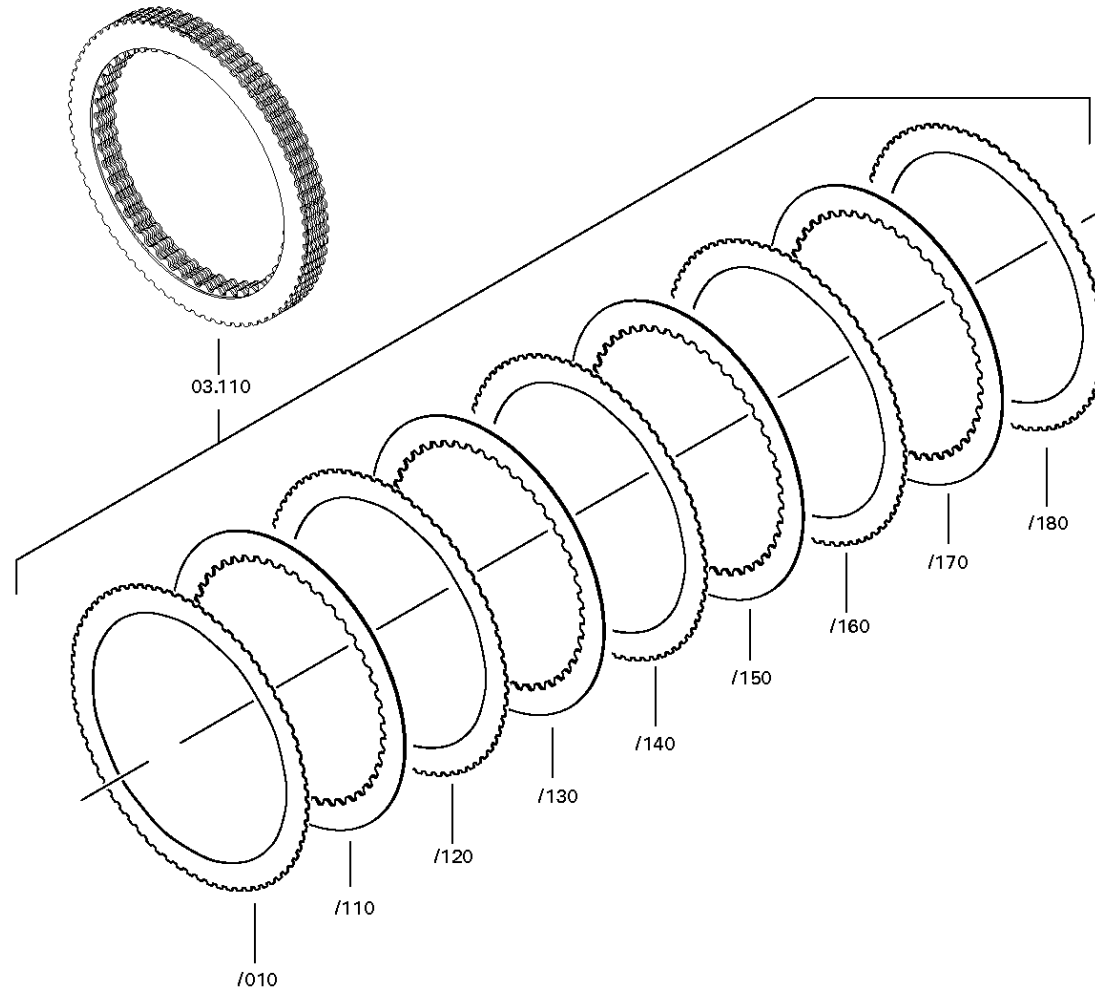
Material number: 4181.040.150

Plant: 130.03.03-2

BRAKE F



6 AP 1400 B /  
BRAKE F



# Plant

Page 3 from 3

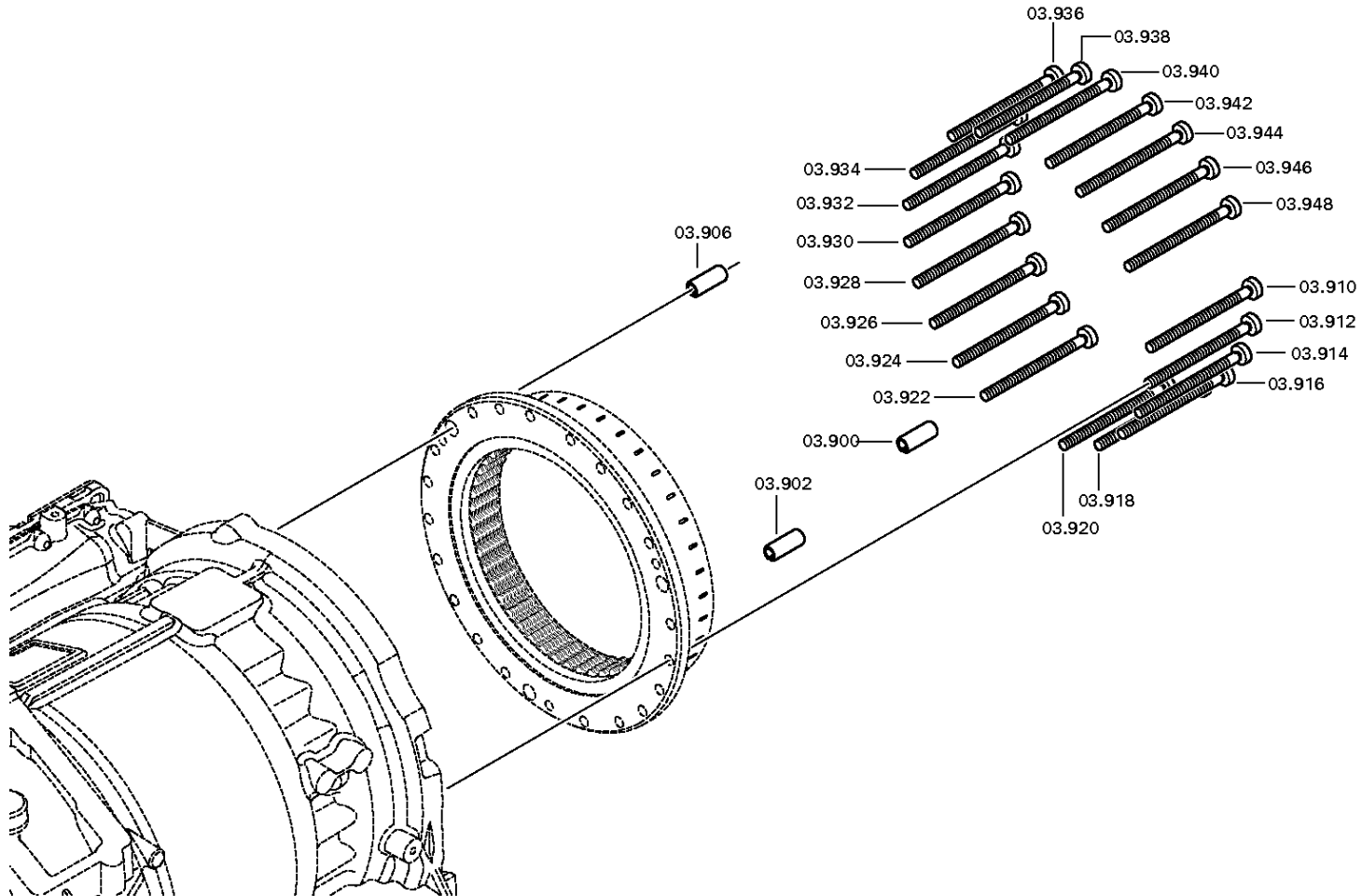
Material number: 4181.040.150

Plant: 130.03.80-1

BRAKE F



6 AP 1400 B /  
BRAKE F



# Plant

Page 1 from 1

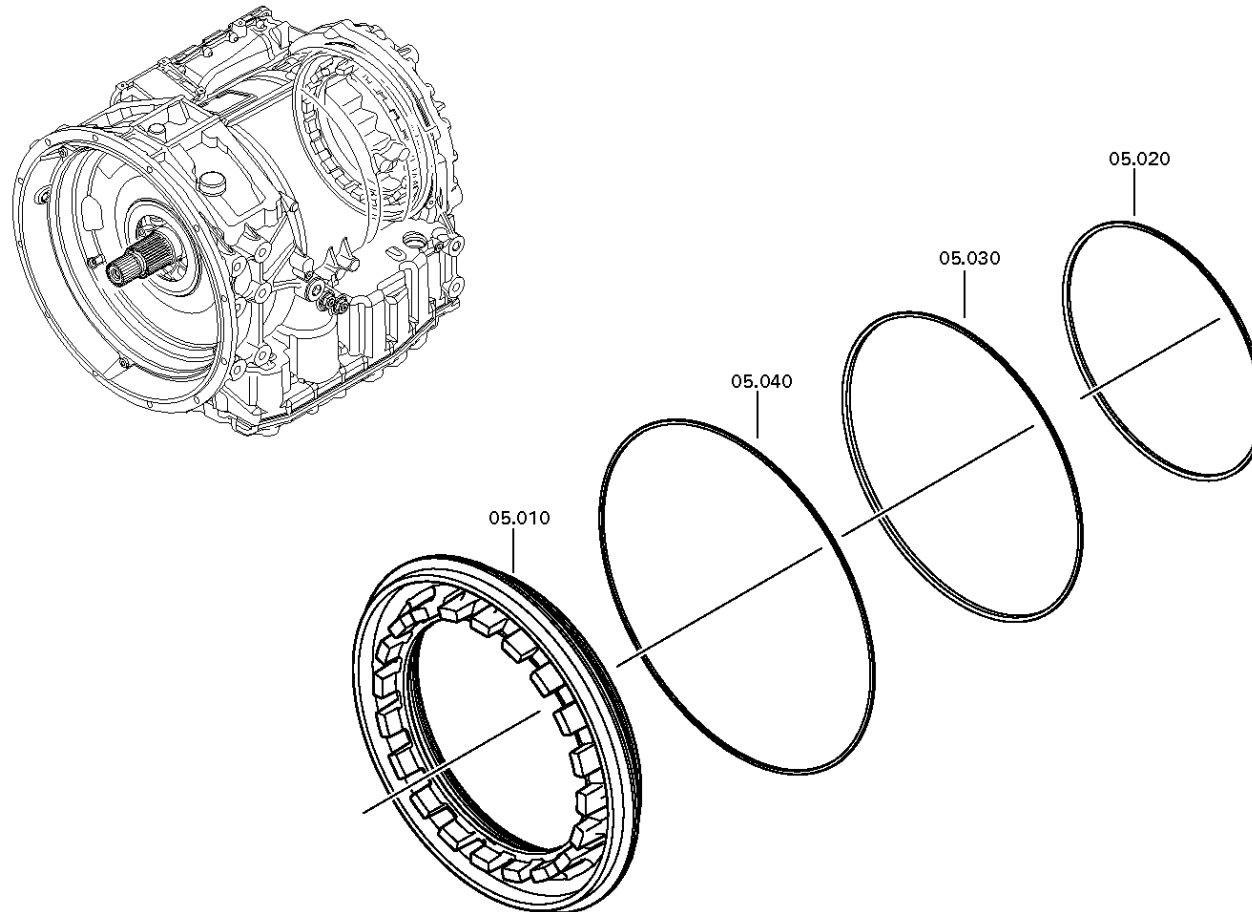
Material number: 4181.040.150

Plant: 130.05.01-1

Material-assembly-group-no: 4181.212.053



6 AP 1400 B /  
PISTON



# Plant

Page 1 from 3

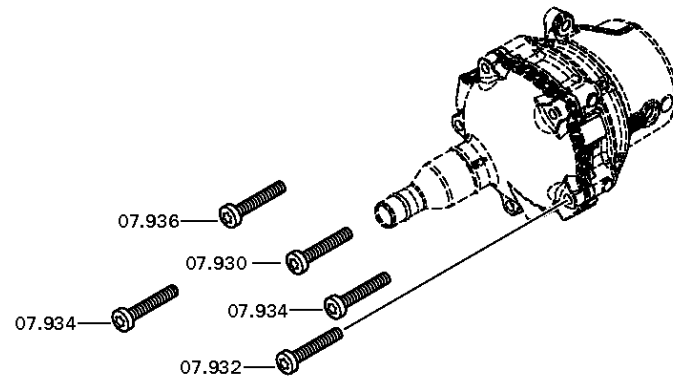
Material number: 4181.040.150

Plant: 130.07.51-1

COVER



6 AP 1400 B /  
COVER



# Plant

Page 2 from 3

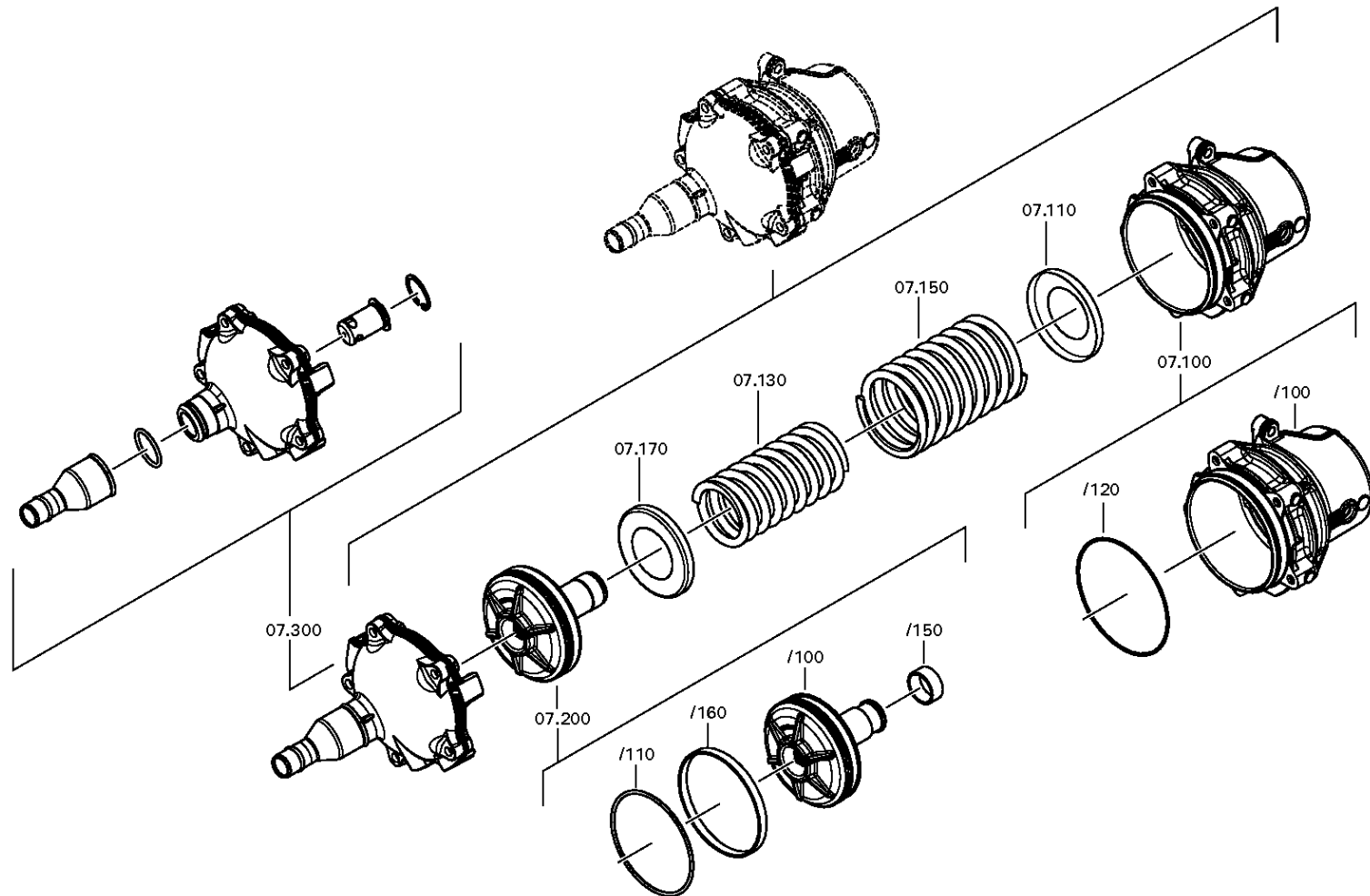
Material number: 4181.040.150

Plant: 130.07.03-1

COVER



6 AP 1400 B /  
COVER



# Plant

Page 3 from 3

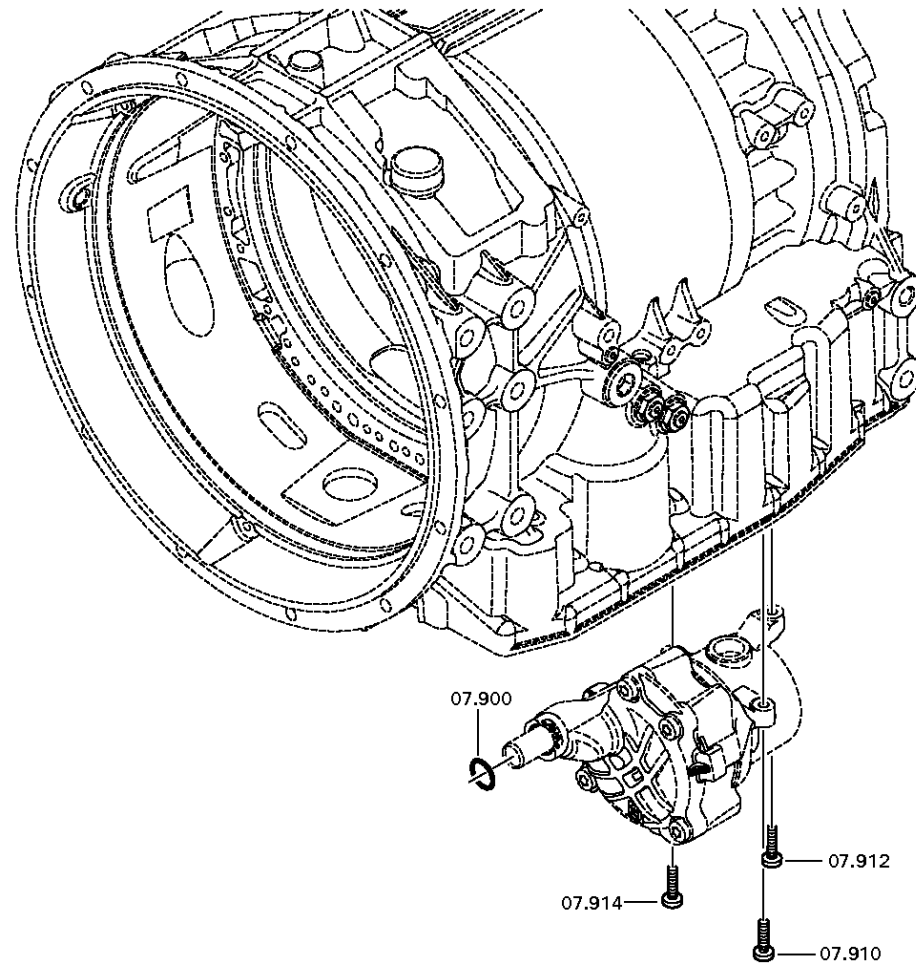
Material number: 4181.040.150

Plant: 130.07.80-1

COVER



6 AP 1400 B /  
COVER



# Plant

Page 1 from 2

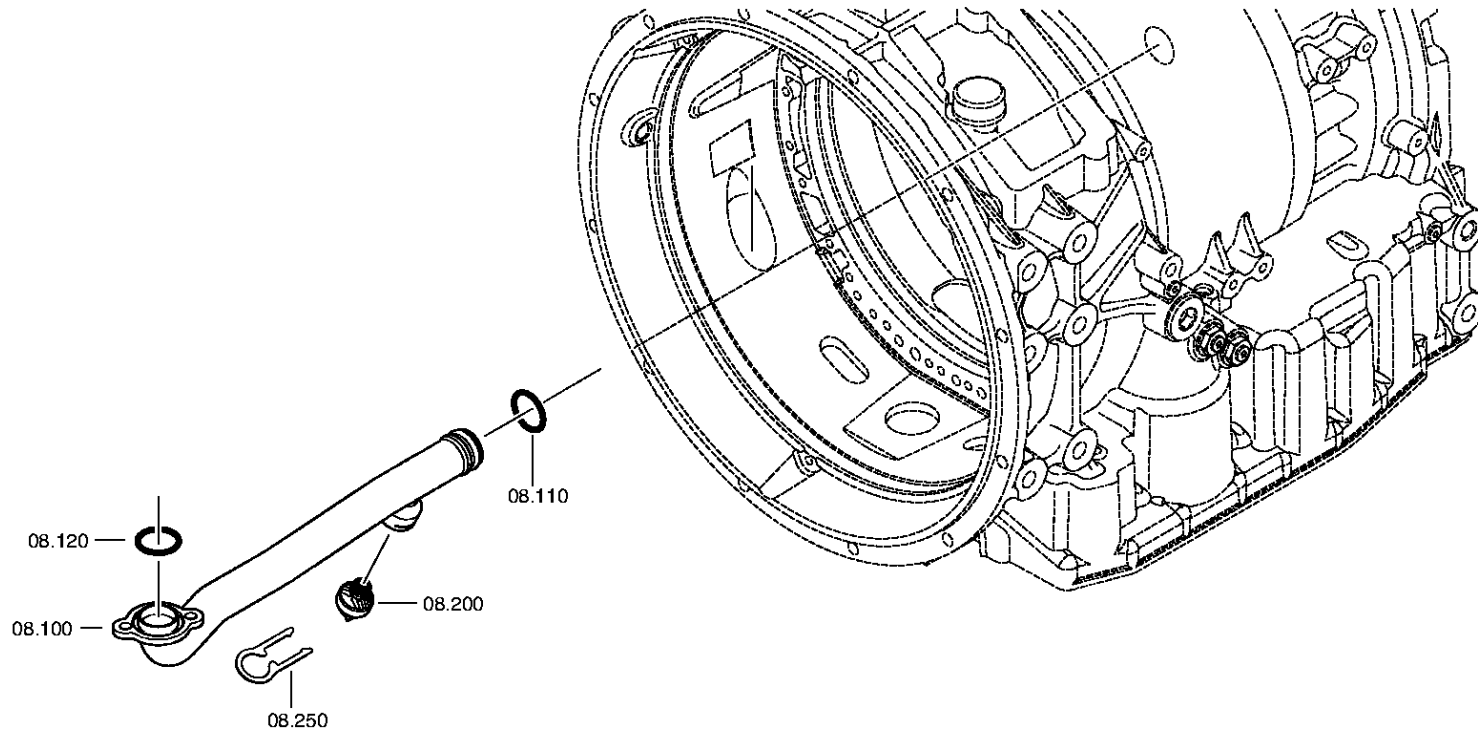
Material number: 4181.040.150

Plant: 130.08.01-1

OIL TUBE



6 AP 1400 B /  
OIL TUBE



# Plant

Page 2 from 2

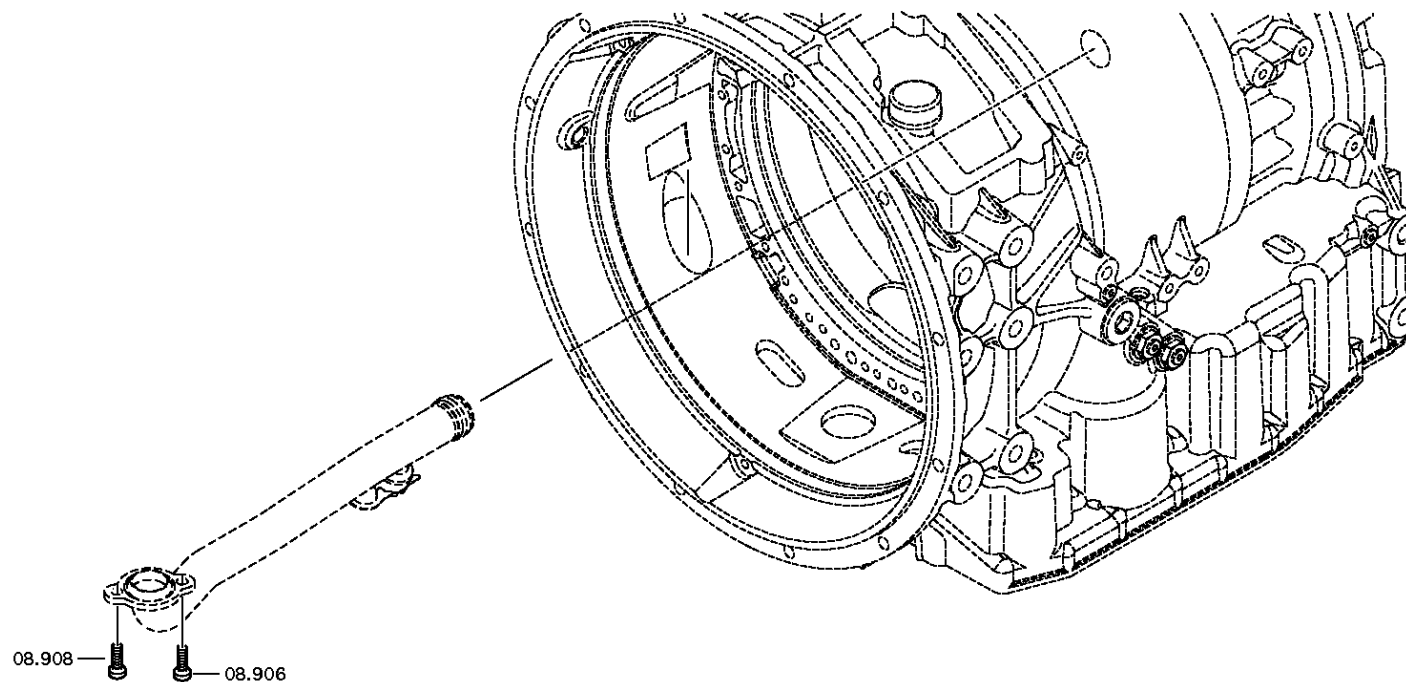
Material number: 4181.040.150

Plant: 130.08.80-1

OIL TUBE



6 AP 1400 B /  
OIL TUBE





# Plant

Page 1 from 2

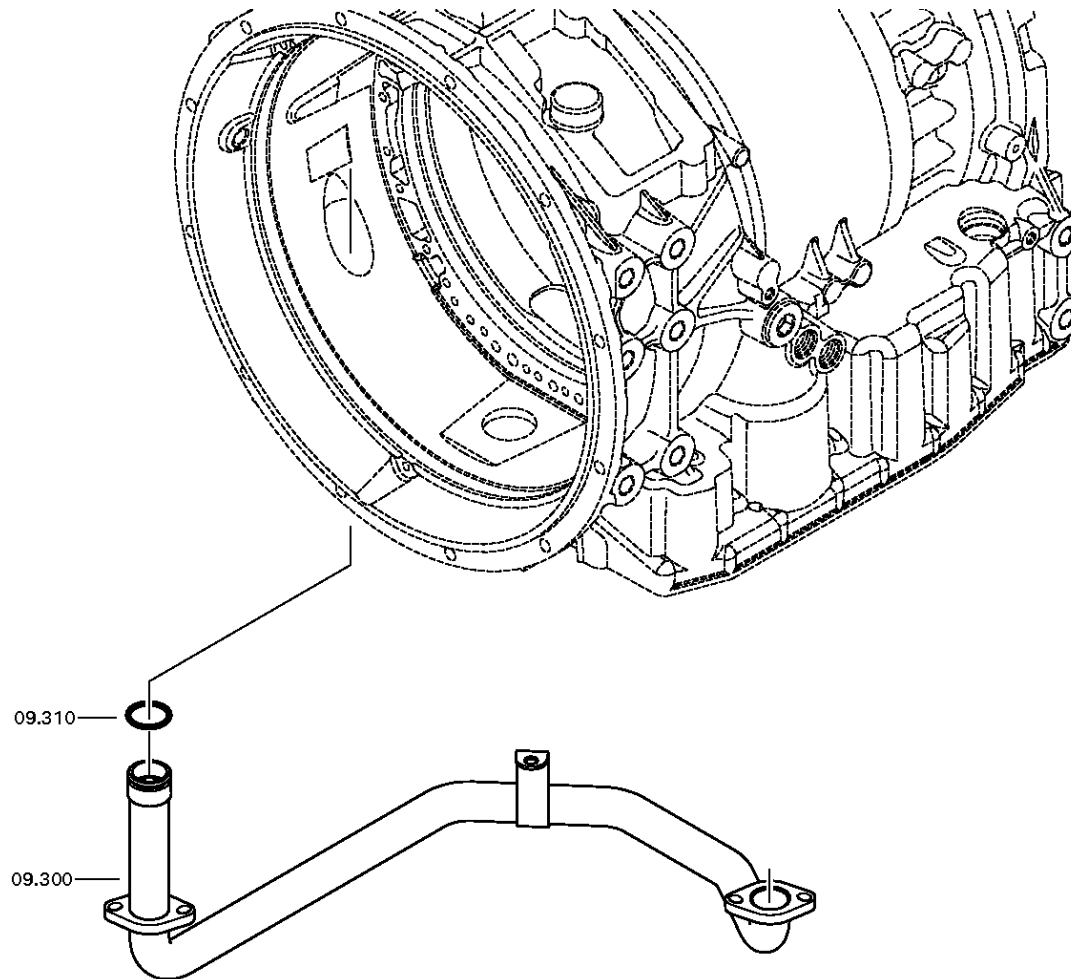
Material number: 4181.040.150

Plant: 130.09.02-1

OIL TUBE



6 AP 1400 B /  
OIL TUBE



# Plant

Page 2 from 2

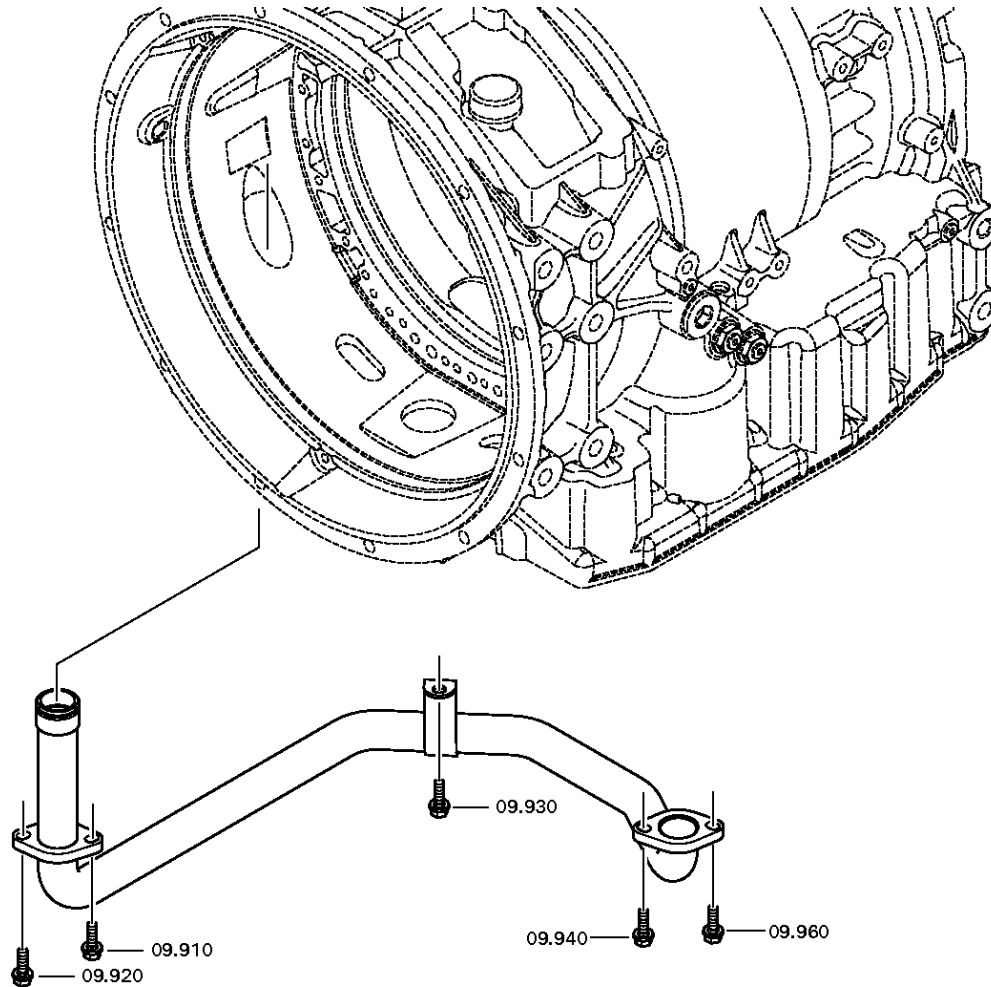
Material number: 4181.040.150

Plant: 130.09.81-1

OIL TUBE



6 AP 1400 B /  
OIL TUBE



# Plant

Page 1 from 3

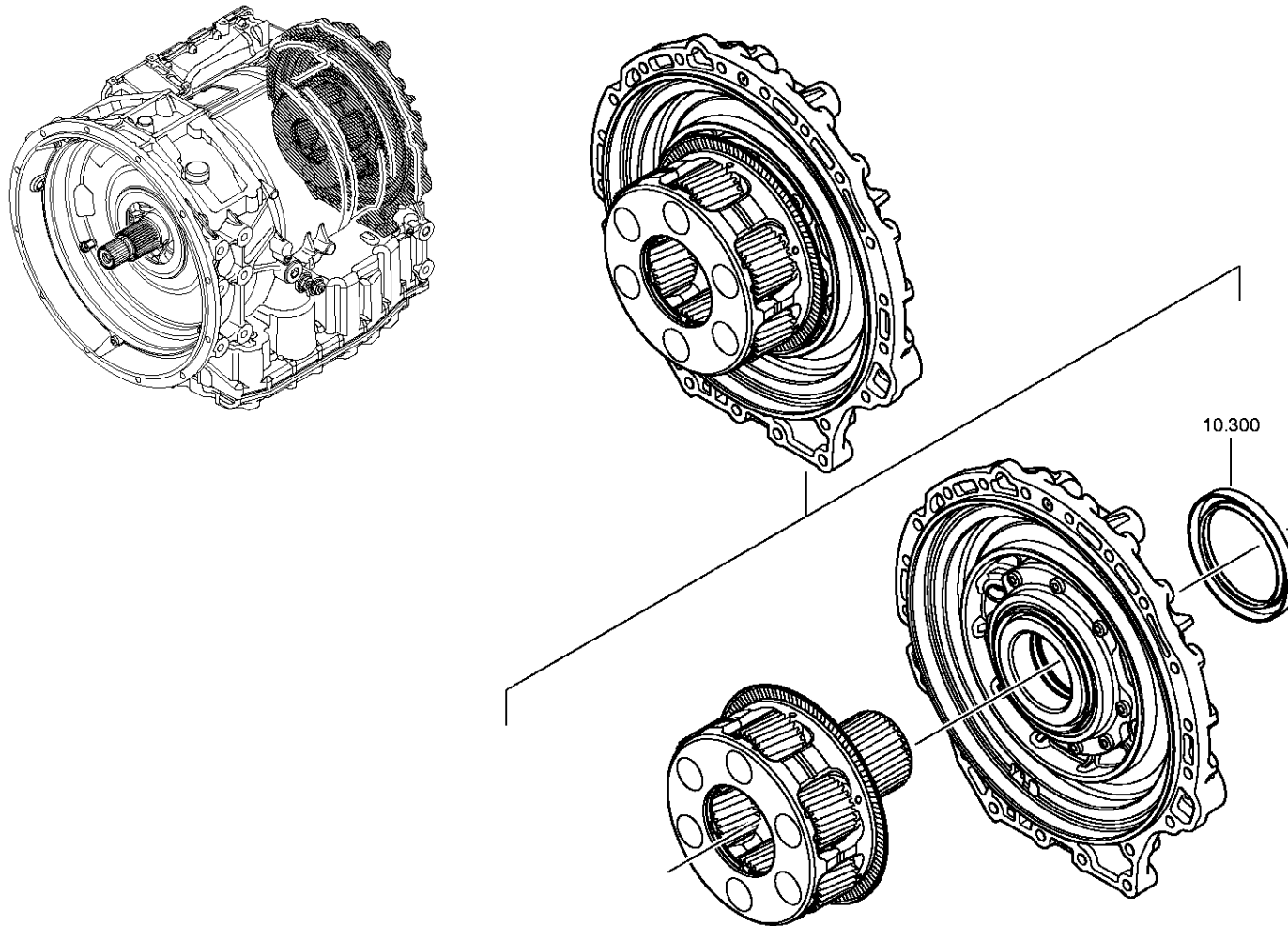
Material number: 4181.040.150

Plant: 130.10.01-1

OUTPUT



6 AP 1400 B /  
OUTPUT



# Plant

Page 2 from 3

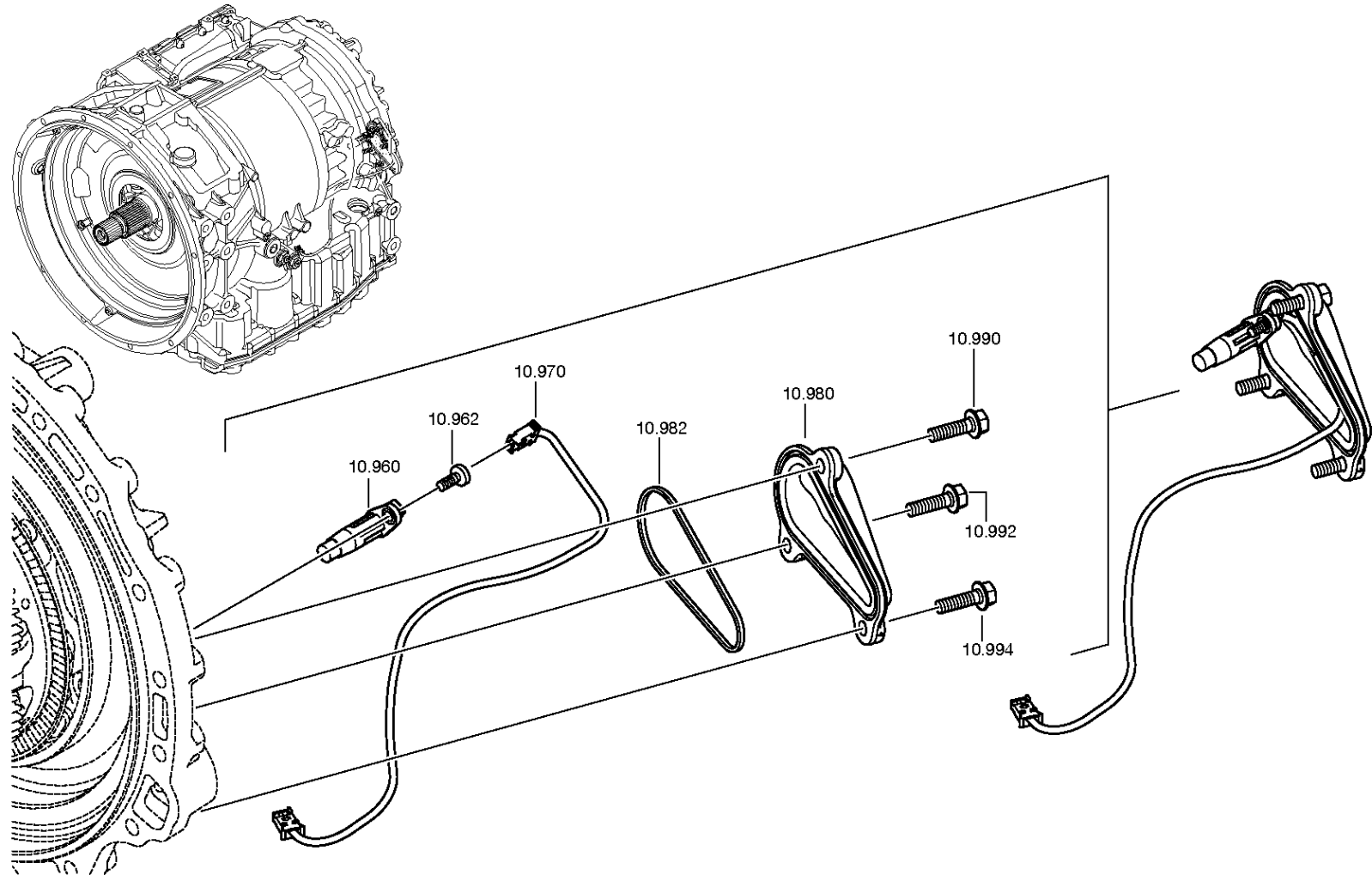
Material number: 4181.040.150

Plant: 130.10.52-1

OUTPUT



6 AP 1400 B /  
OUTPUT



# Plant

Page 3 from 3

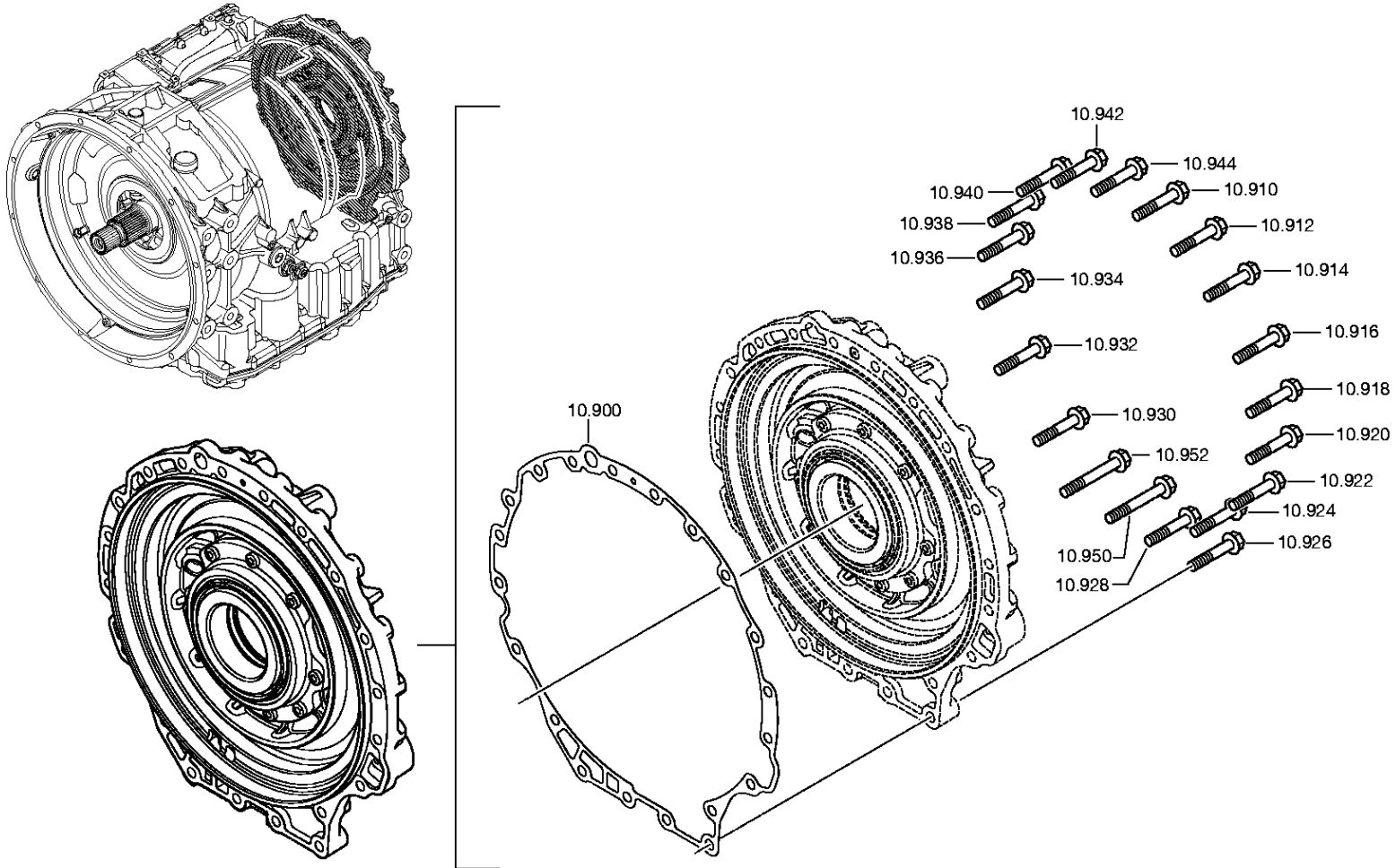
Material number: 4181.040.150

Plant: 130.10.80-1

OUTPUT



6 AP 1400 B /  
OUTPUT



# Plant

Page 1 from 2

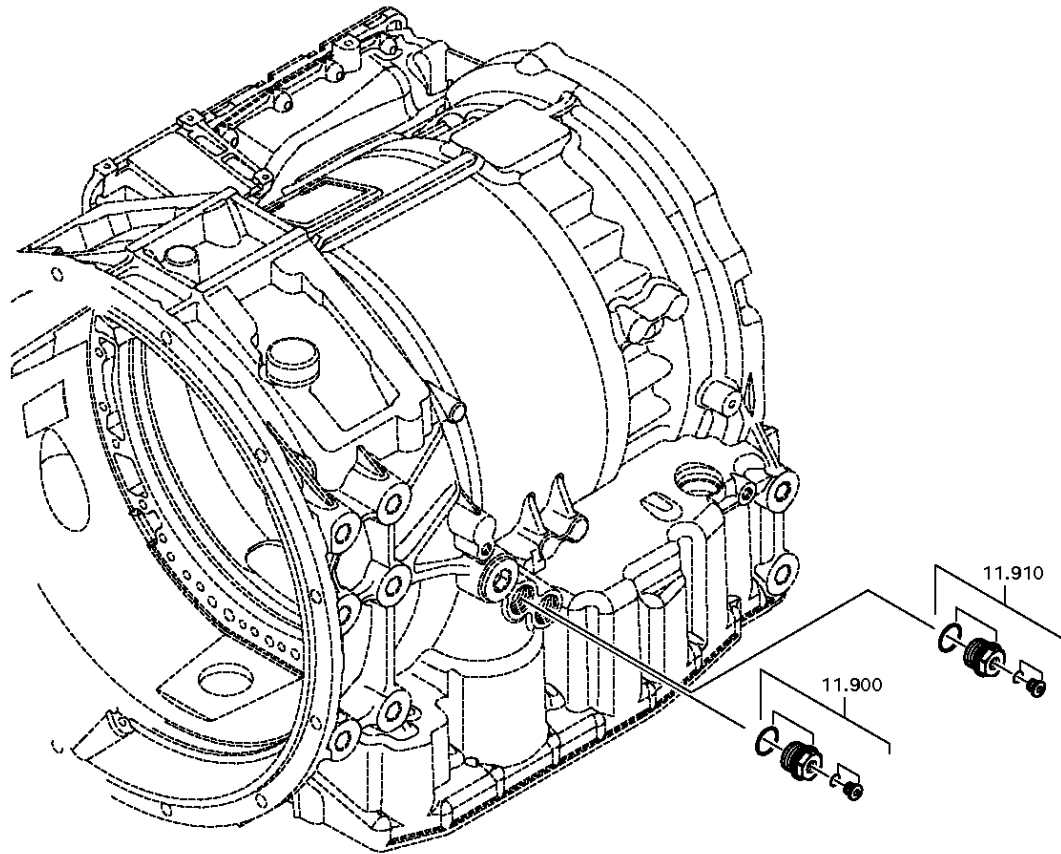
Material number: 4181.040.150

Plant: 130.11.01-1

CLOSING COMPONENTS



6 AP 1400 B /  
CLOSING COMPONENTS



# Plant

Page 2 from 2

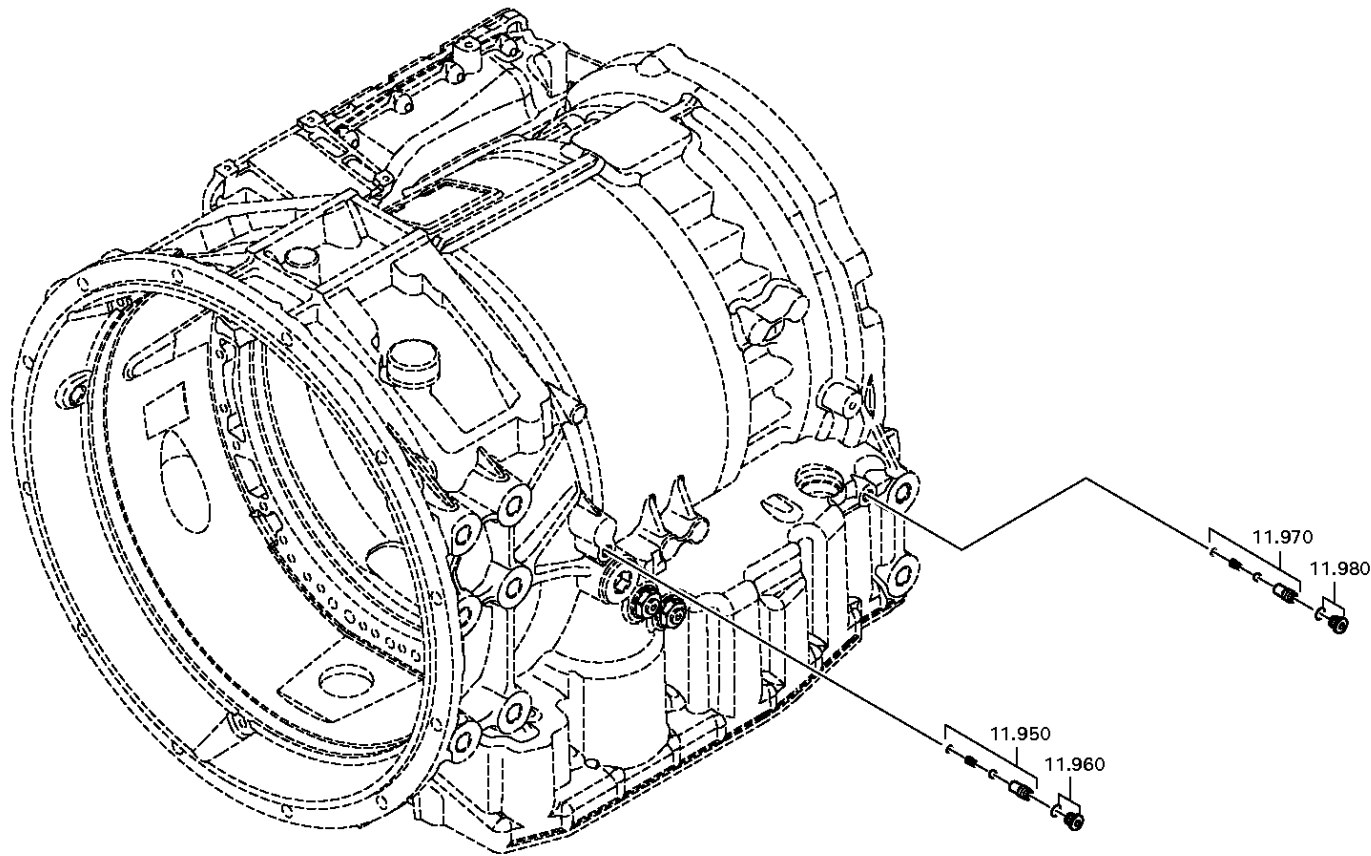
Material number: 4181.040.150

Plant: 130.11.02-1

CLOSING COMPONENTS



6 AP 1400 B /  
CLOSING COMPONENTS



# Plant

Page 1 from 1

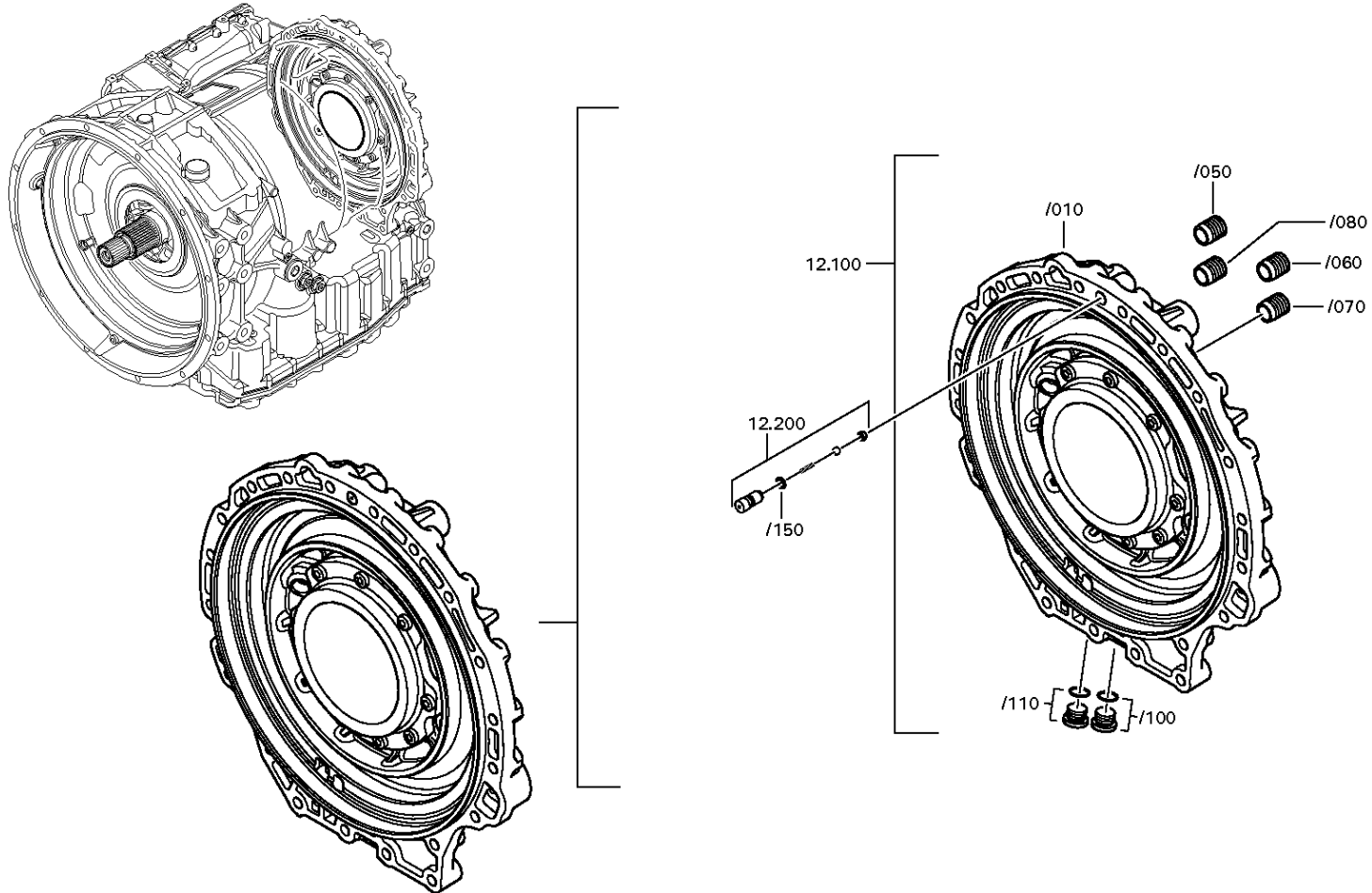
Material number: 4181.040.150

Plant: 130.12.02-1

Material-assembly-group-no: 4181.112.050



6 AP 1400 B /  
OUTPUT COVER





# Plant

Page 1 from 2

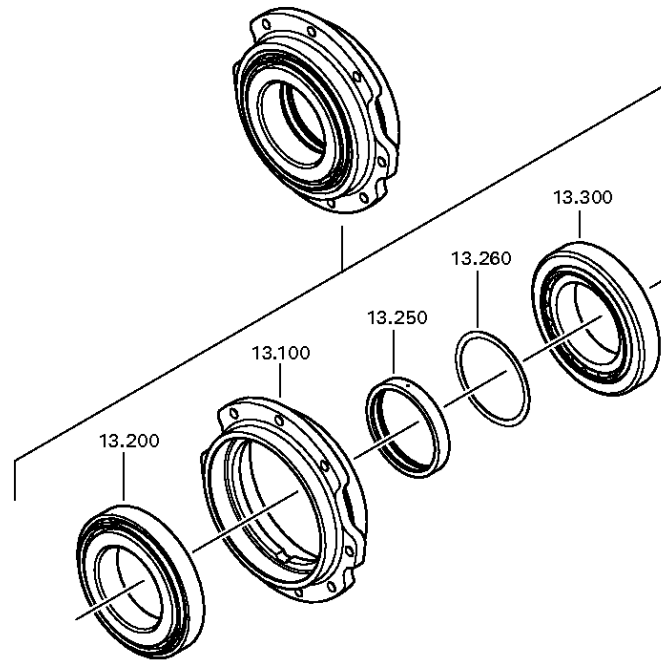
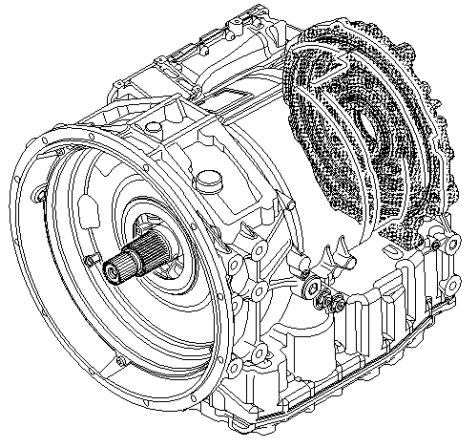
Material number: 4181.040.150

Plant: 130.13.01-1

BEARING UNIT



6 AP 1400 B /  
BEARING UNIT



# Plant

Page 2 from 2

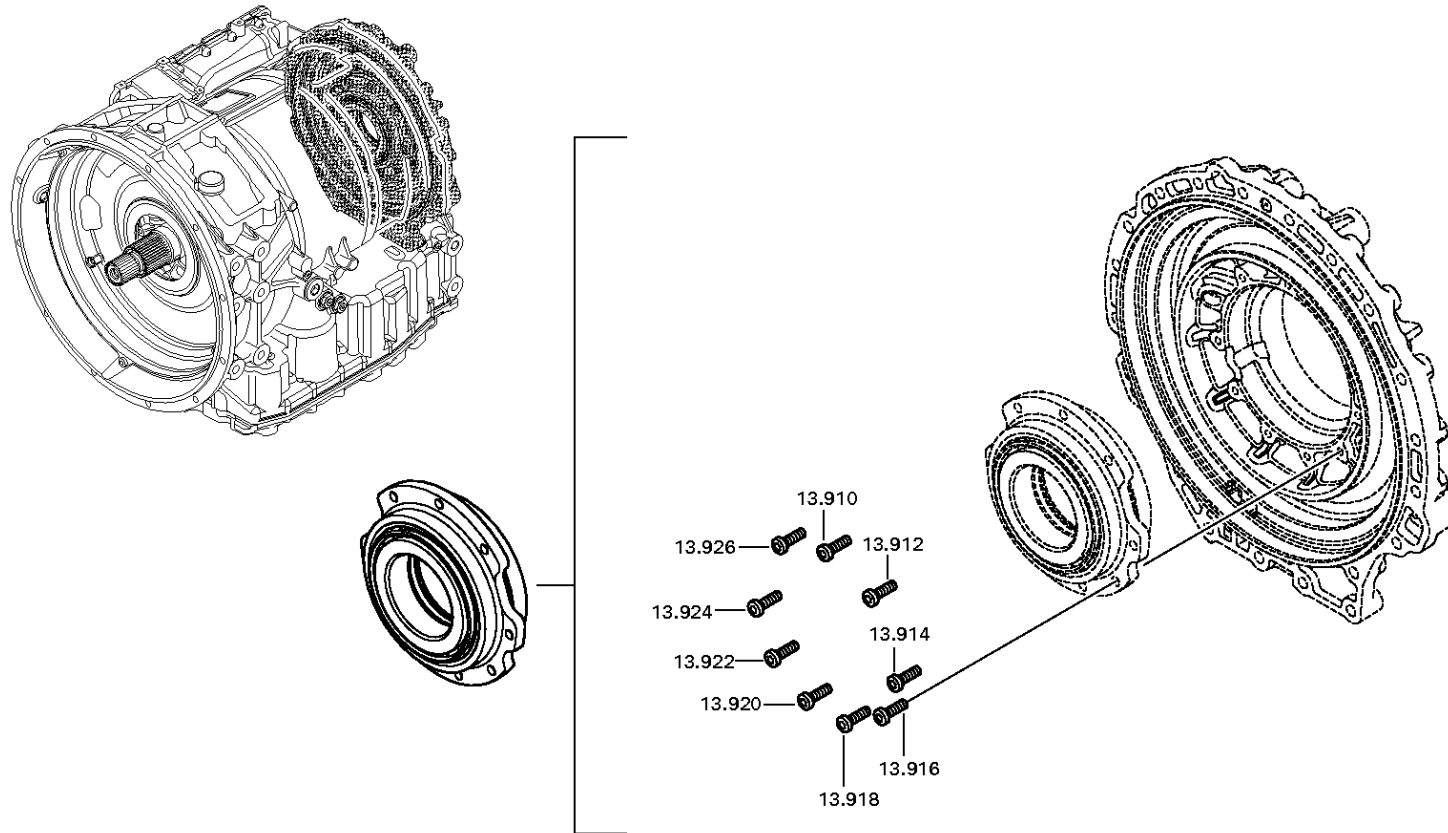
Material number: 4181.040.150

Plant: 130.13.80-1

BEARING UNIT



6 AP 1400 B /  
BEARING UNIT



# Plant

Page 1 from 2

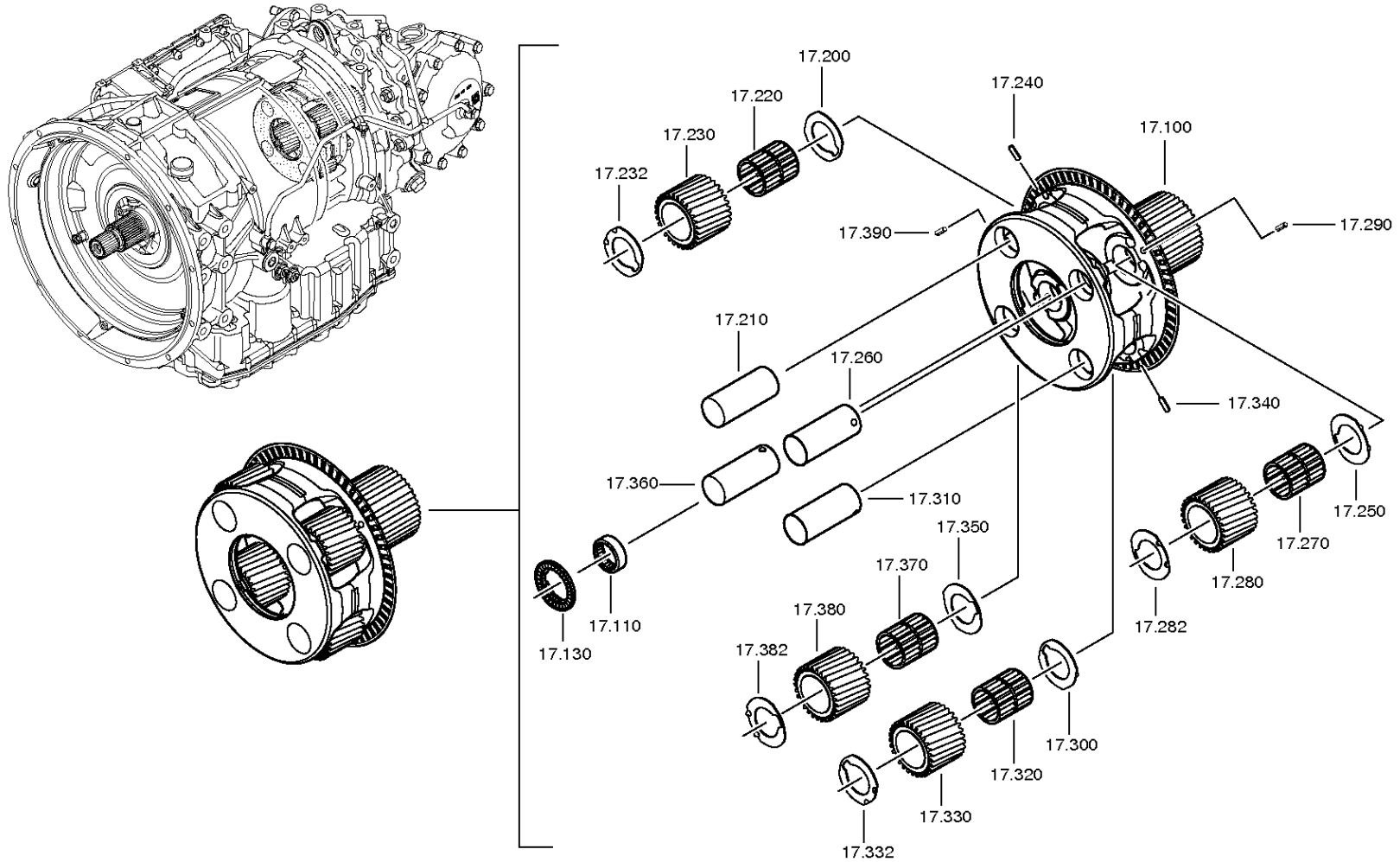
Material number: 4181.040.150

Plant: 130.17.03-1

Material-assembly-group-no: 4181.117.020



6 AP 1400 B /  
PLANETARY GEAR



# Plant

Page 2 from 2

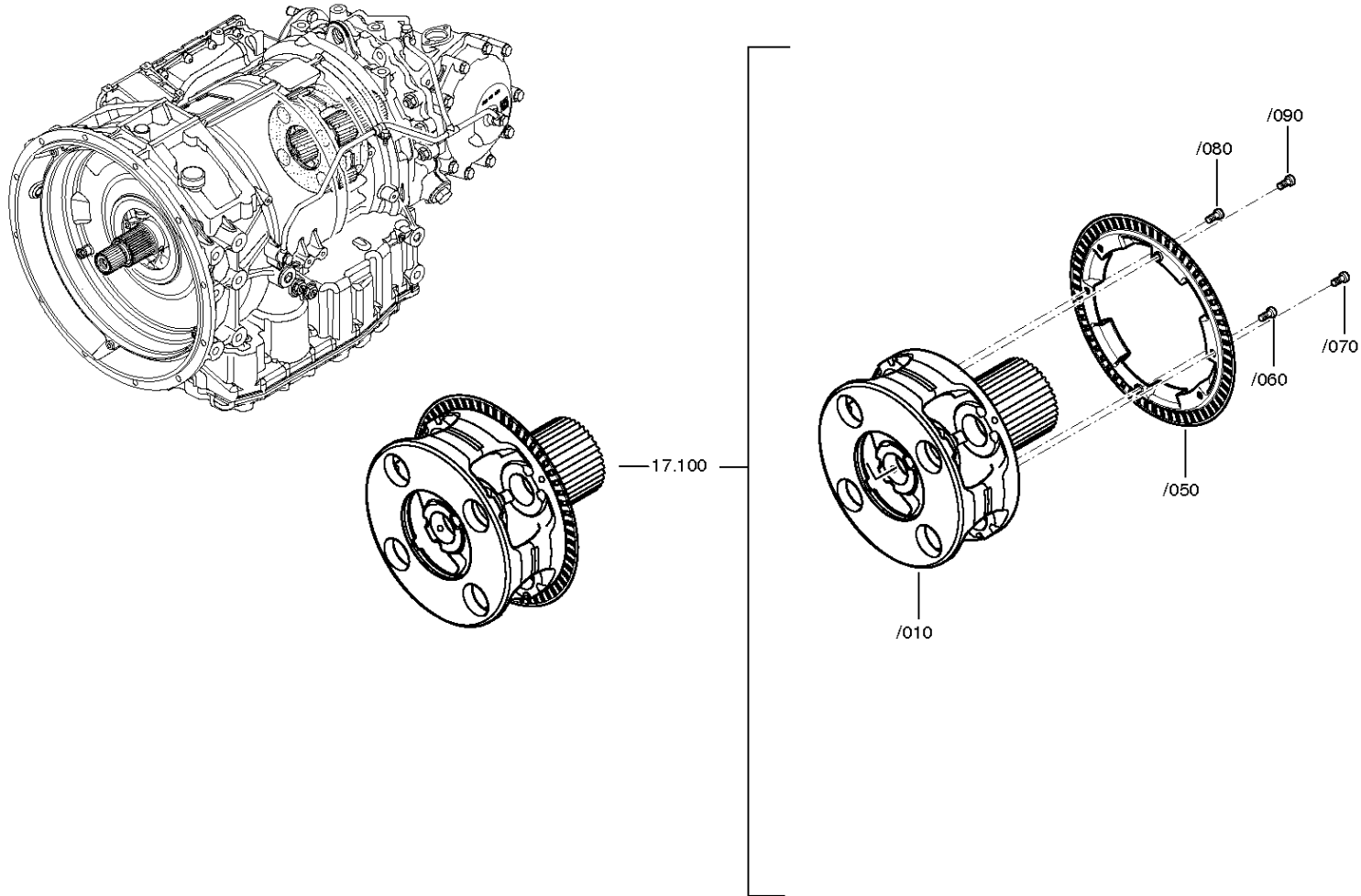
Material number: 4181.040.150

Plant: 130.17.03-2

Material-assembly-group-no: 4181.117.020



6 AP 1400 B /  
PLANETARY GEAR



# Plant

Page 1 from 2

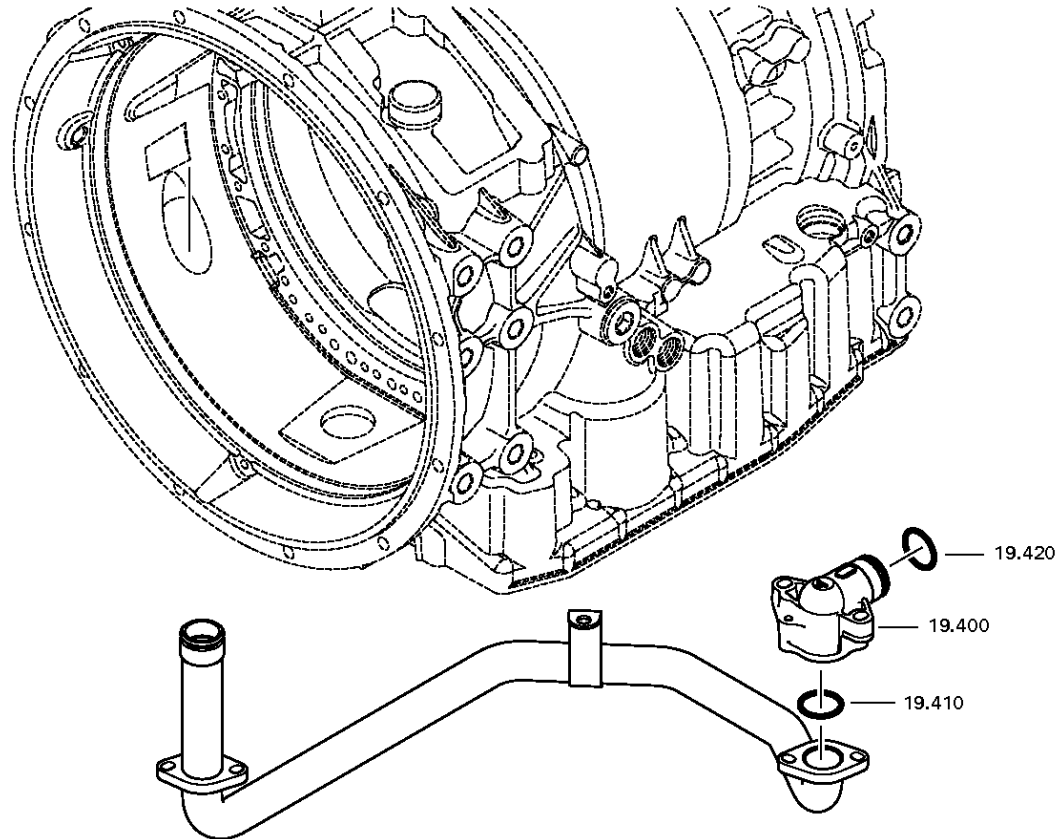
Material number: 4181.040.150

Plant: 130.19.01-1

MANIFOLD



6 AP 1400 B /  
MANIFOLD



# Plant

Page 2 from 2

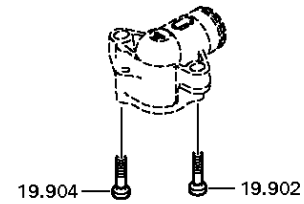
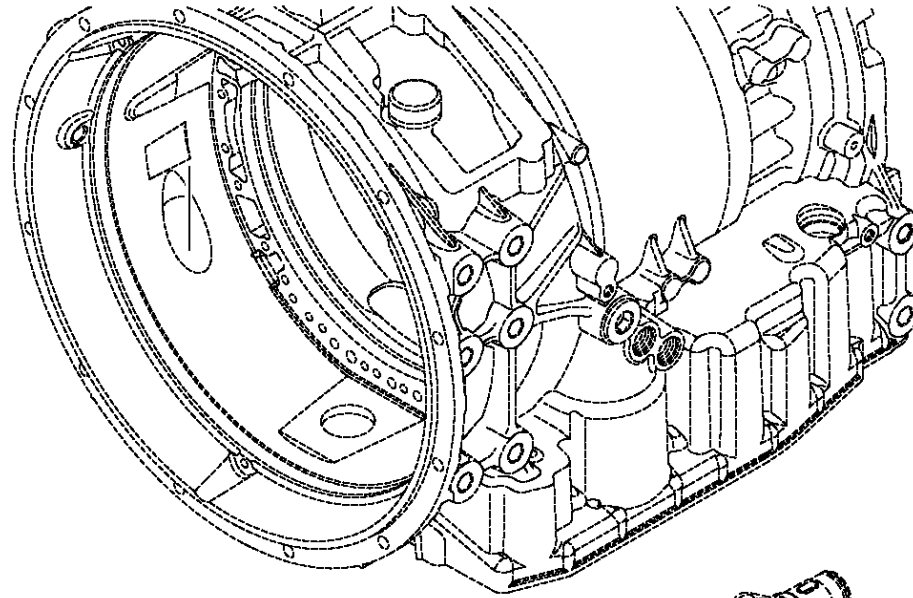
Material number: 4181.040.150

Plant: 130.19.80-1

MANIFOLD



6 AP 1400 B /  
MANIFOLD



# Plant

Page 1 from 1

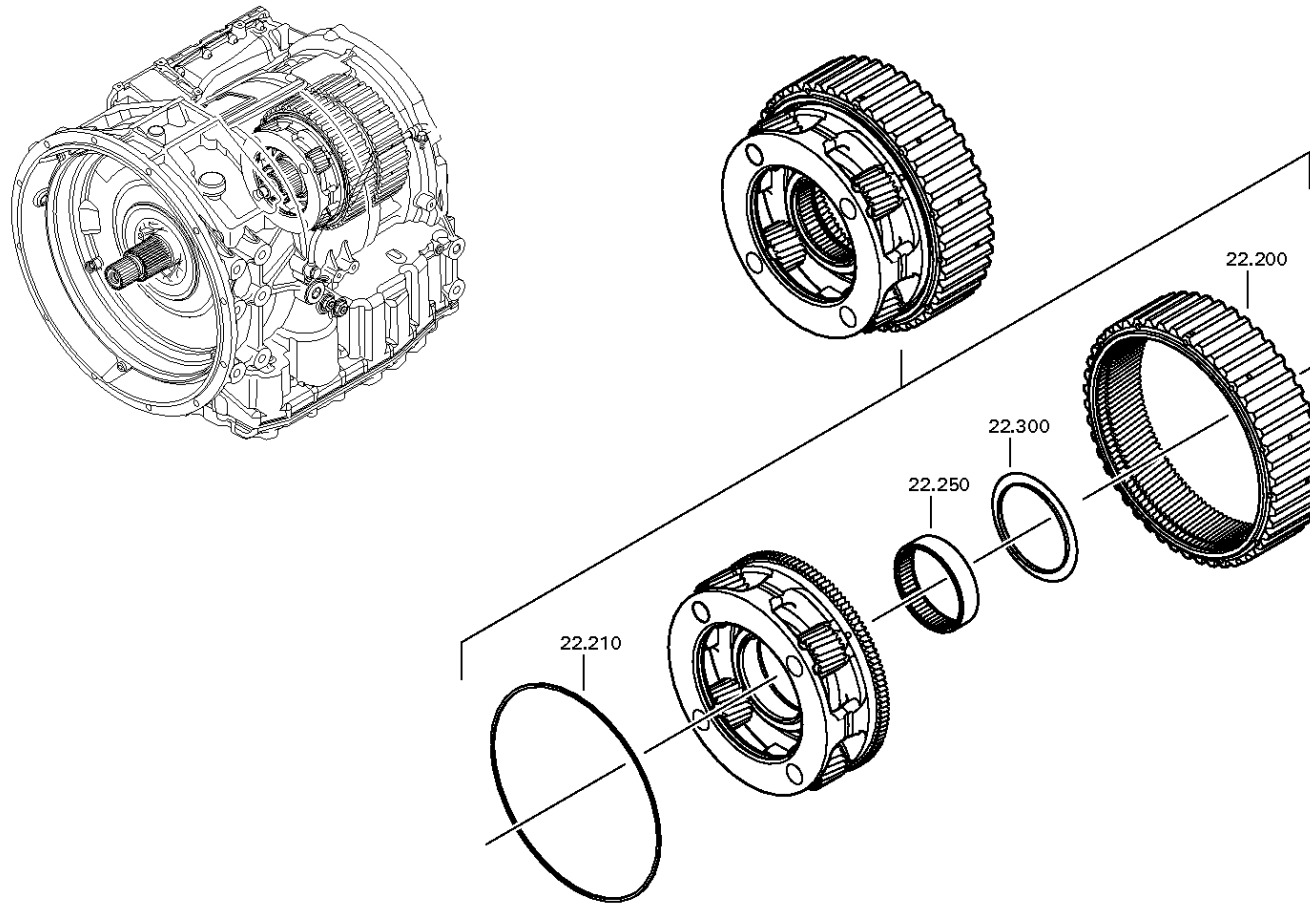
Material number: 4181.040.150

Plant: 130.22.02-1

Material-assembly-group-no: 4181.122.015



6 AP 1400 B /  
PLANETARY DRIVE



# Plant

Page 1 from 1

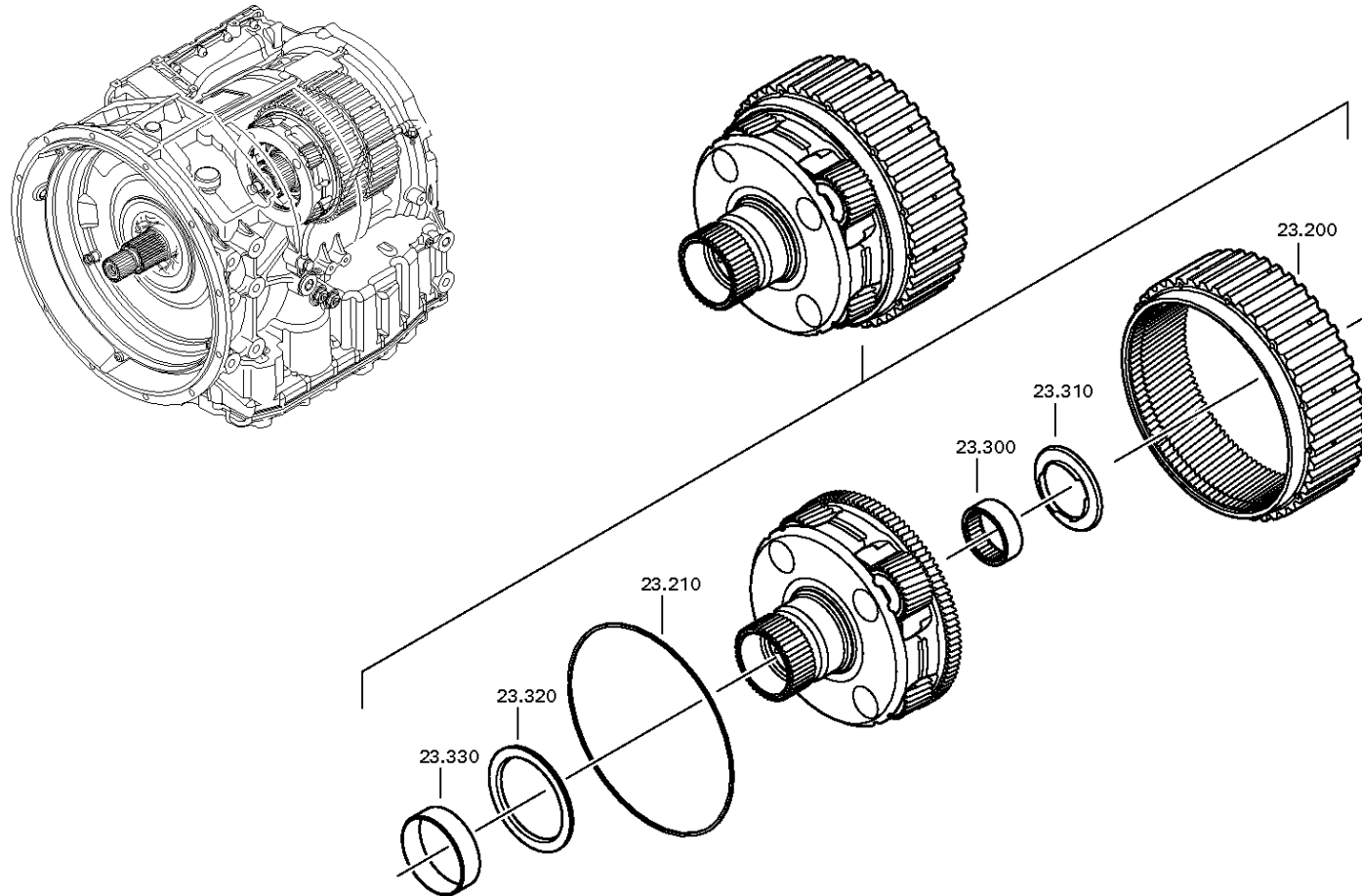
Material number: 4181.040.150

Plant: 130.23.01-1

Material-assembly-group-no: 4181.123.015



6 AP 1400 B /  
PLANETARY DRIVE





# Plant

Page 1 from 1

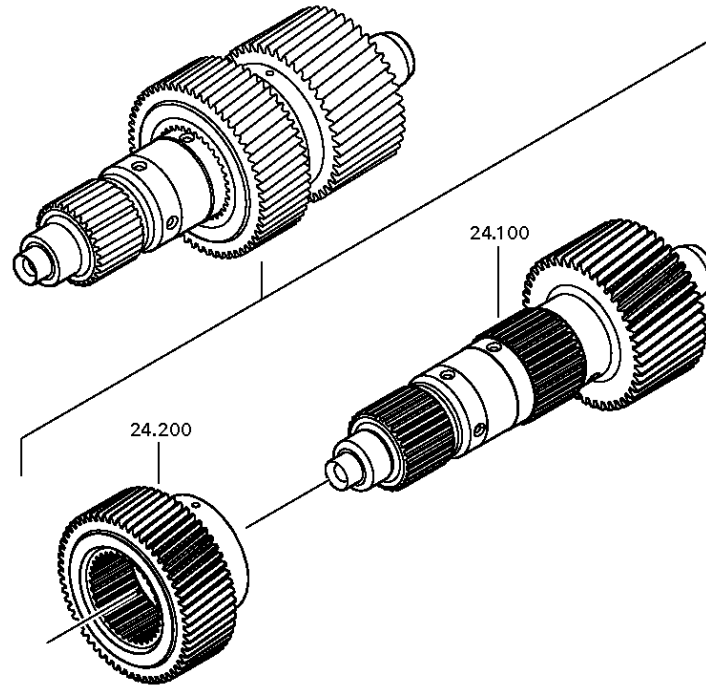
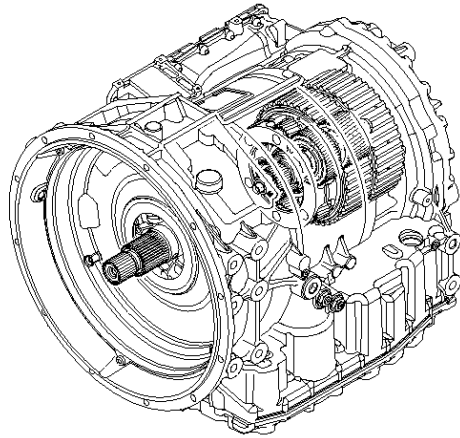
Material number: 4181.040.150

Plant: 130.24.02-1

Material-assembly-group-no: 4181.124.007



6 AP 1400 B /  
INPUT SHAFT



# Plant

Page 1 from 1

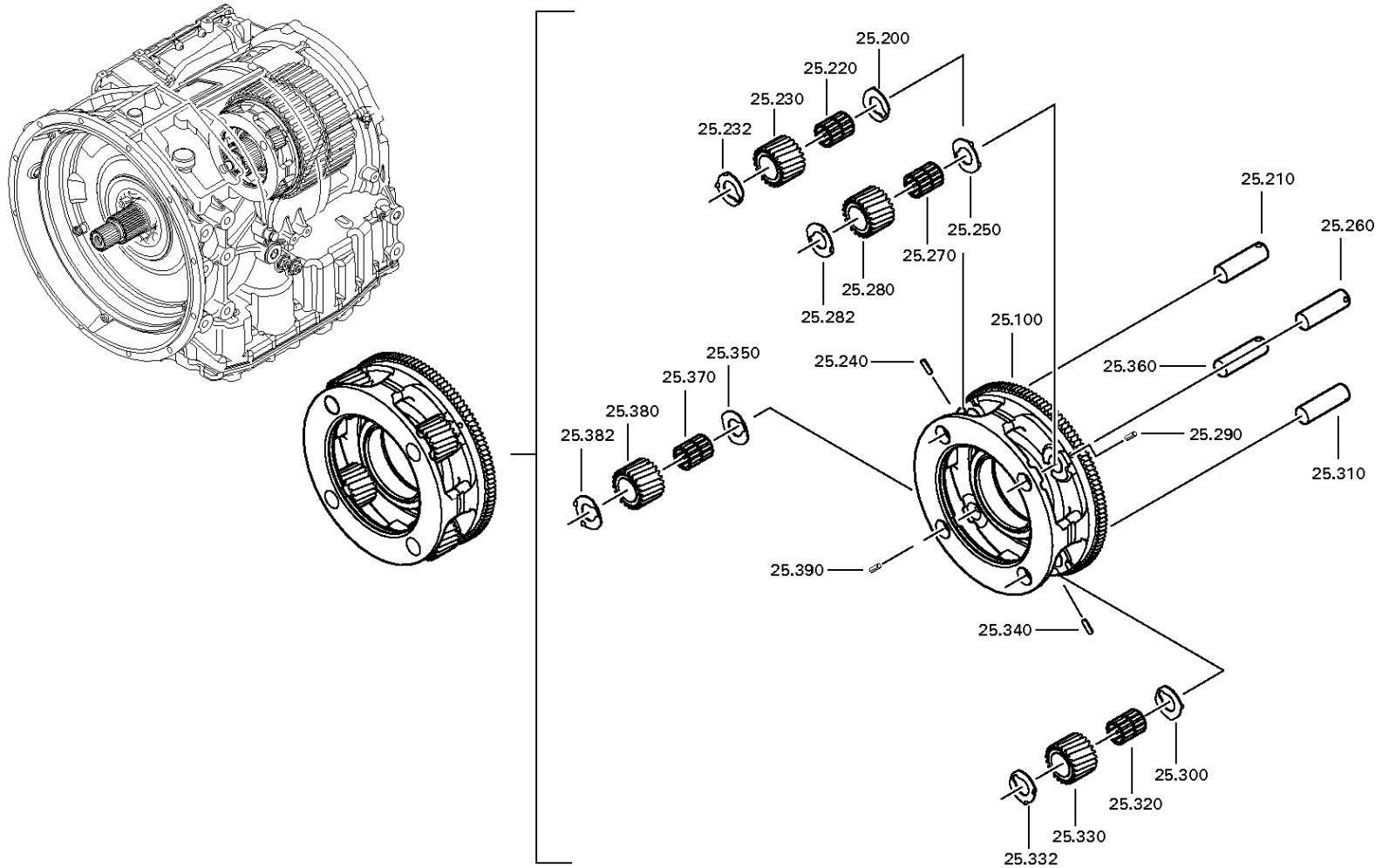
Material number: 4181.040.150

Plant: 130.25.03-1

Material-assembly-group-no: 4181.125.021



6 AP 1400 B /  
PLANET CARRIER



# Plant

Page 1 from 1

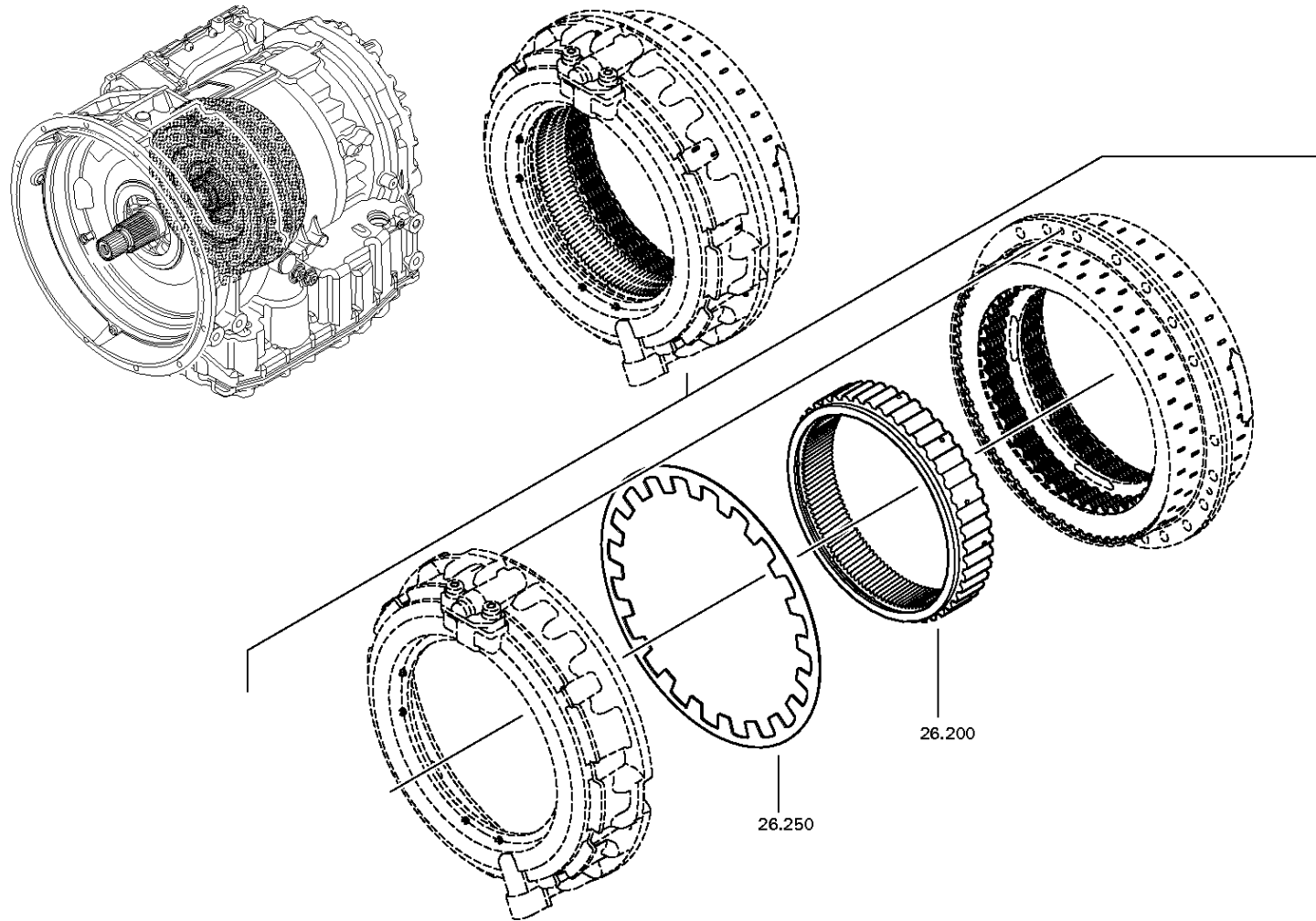
Material number: 4181.040.150

Plant: 130.26.01-1

Material-assembly-group-no: 4181.126.053



6 AP 1400 B /  
BRAKE



# Plant

Page 1 from 1

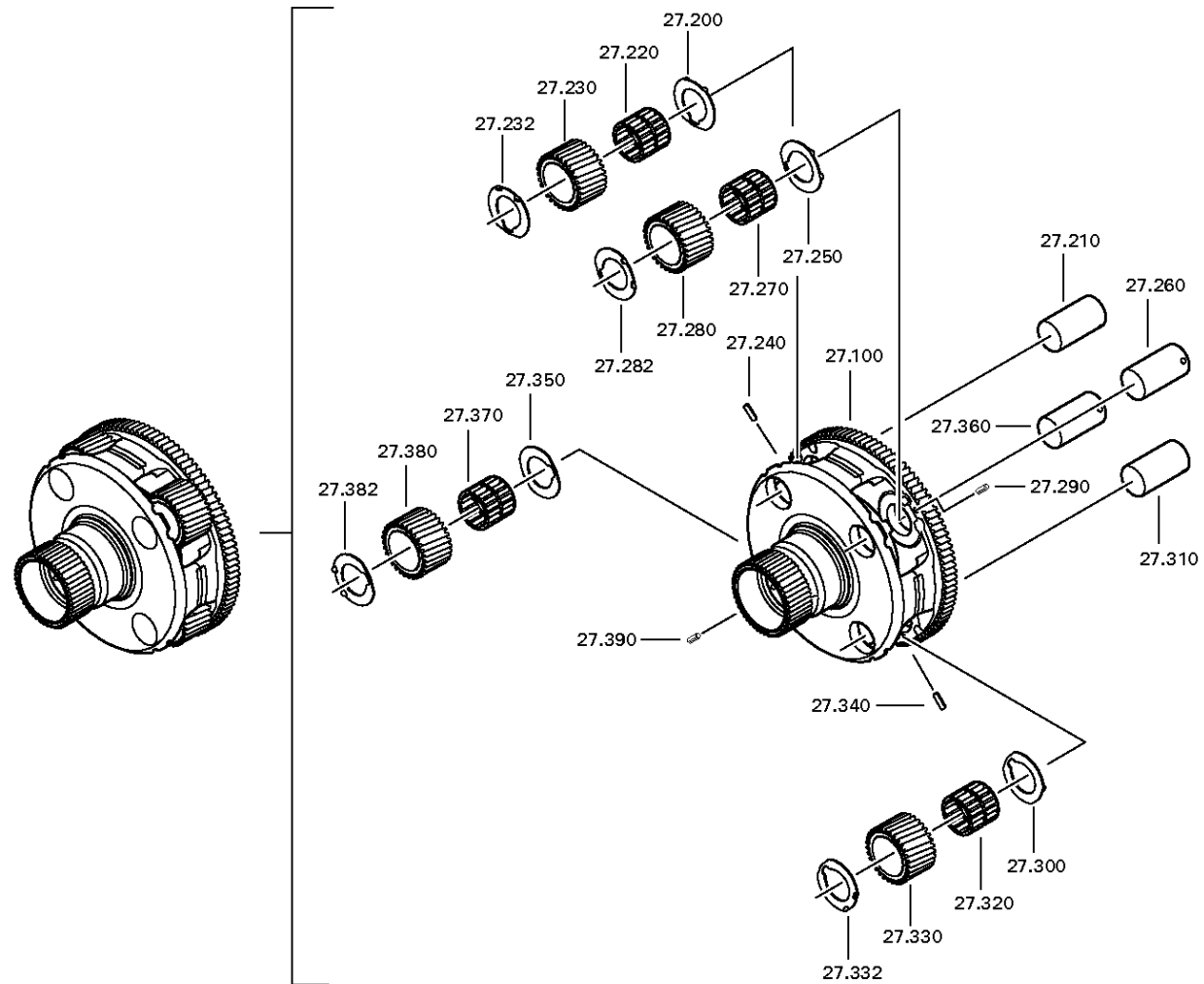
Material number: 4181.040.150

Plant: 130.27.01-1

Material-assembly-group-no: 4181.125.022



6 AP 1400 B /  
PLANET CARRIER



# Plant

Page 1 from 4

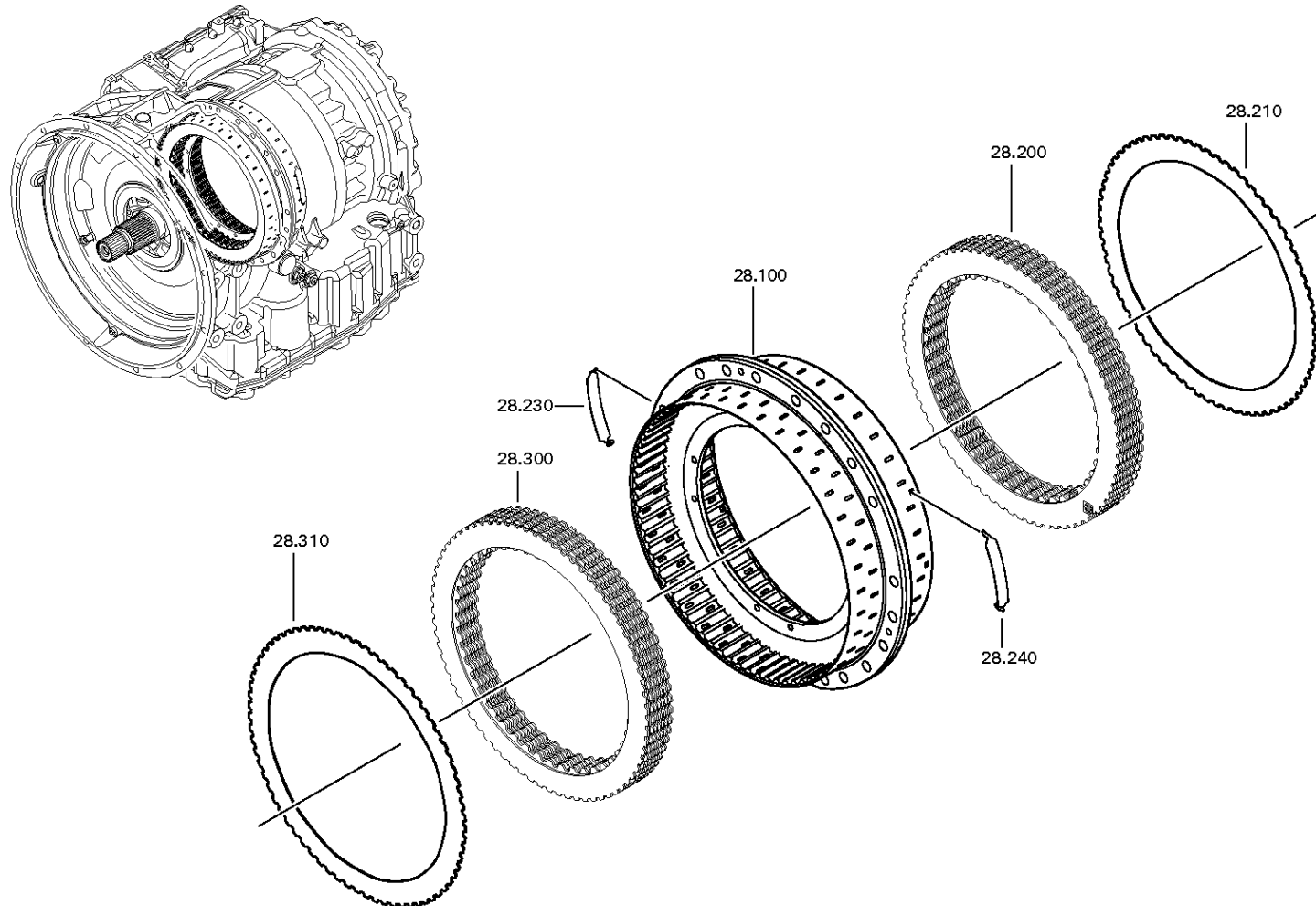
Material number: 4181.040.150

Plant: 130.28.04-1

Material-assembly-group-no: 4181.127.053



6 AP 1400 B /  
DISC CARRIER



# Plant

Page 2 from 4

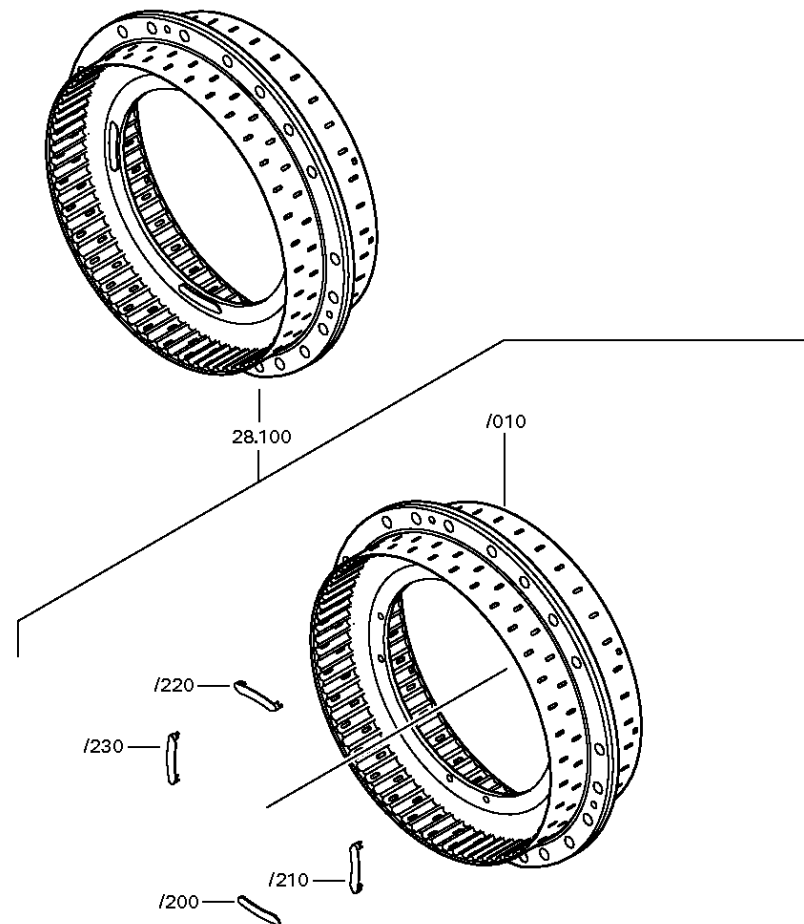
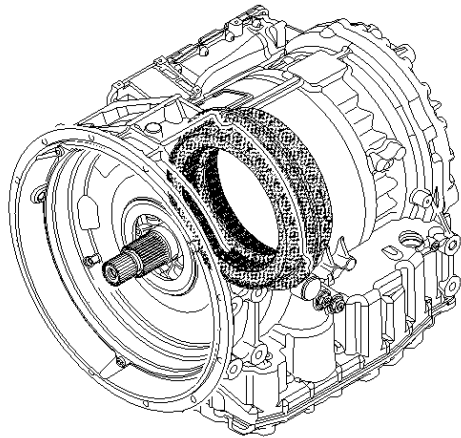
Material number: 4181.040.150

Plant: 130.28.04-2

Material-assembly-group-no: 4181.127.053



6 AP 1400 B /  
DISC CARRIER



# Plant

Page 3 from 4

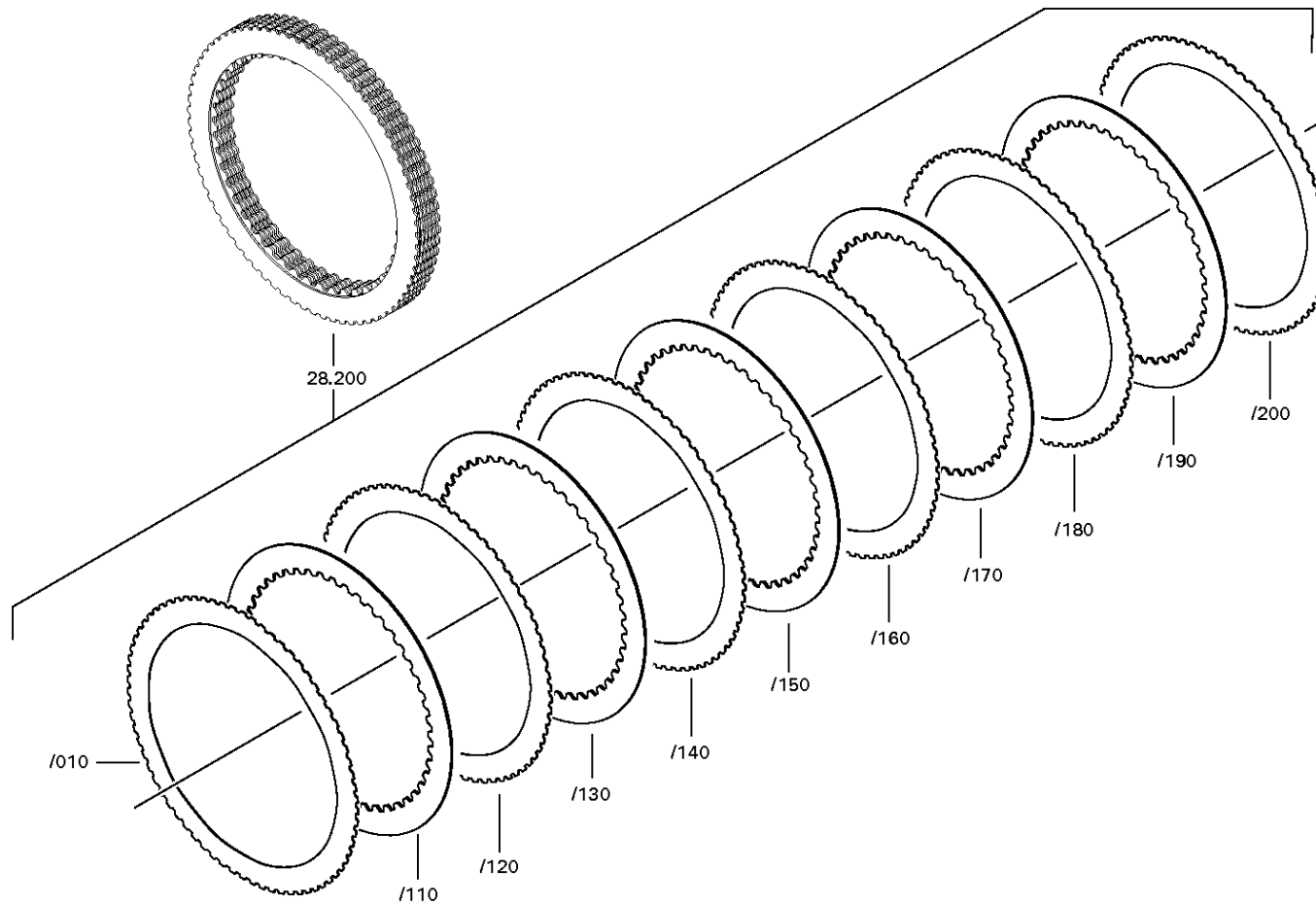
Material number: 4181.040.150

Plant: 130.28.04-3

Material-assembly-group-no: 4181.127.053



6 AP 1400 B /  
DISC CARRIER



# Plant

Page 4 from 4

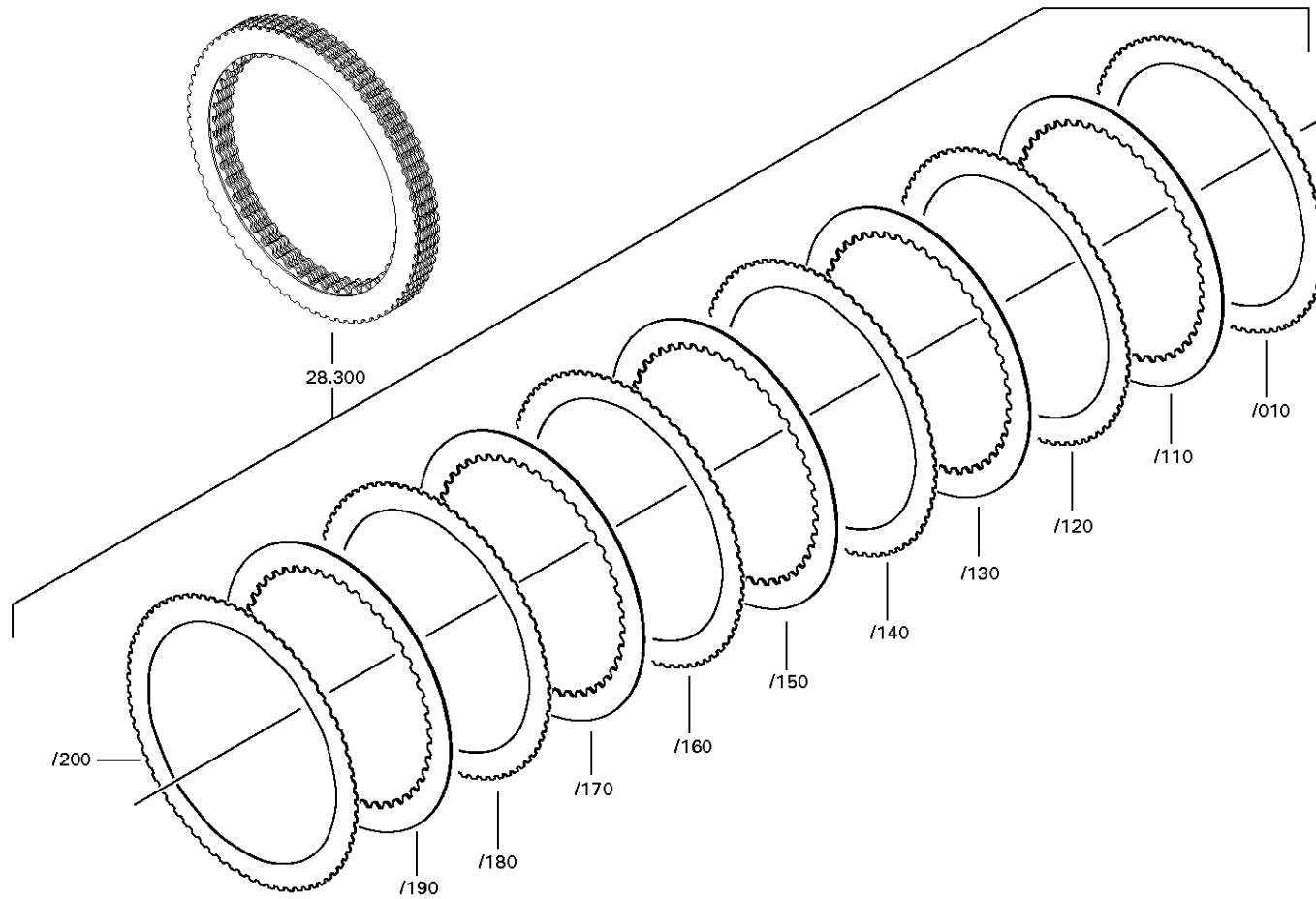
Material number: 4181.040.150

Plant: 130.28.04-4

Material-assembly-group-no: 4181.127.053



6 AP 1400 B /  
DISC CARRIER





# Plant

Page 1 from 2

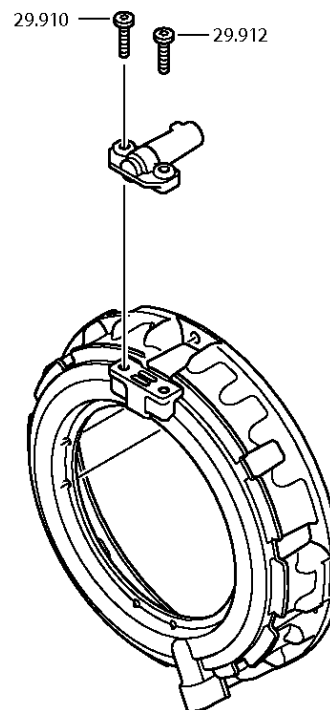
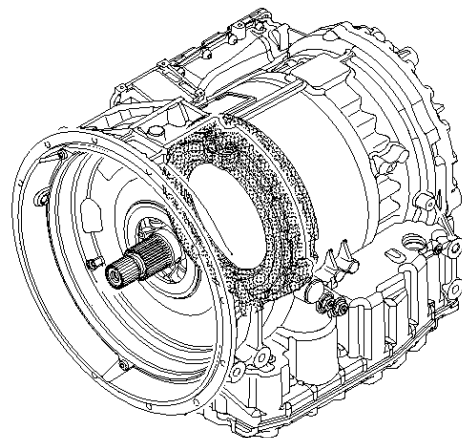
Material number: 4181.040.150

Plant: 130.29.80-1

CHANGE OVER VALVE



6 AP 1400 B /  
CHANGE OVER VALVE



# Plant

Page 2 from 2

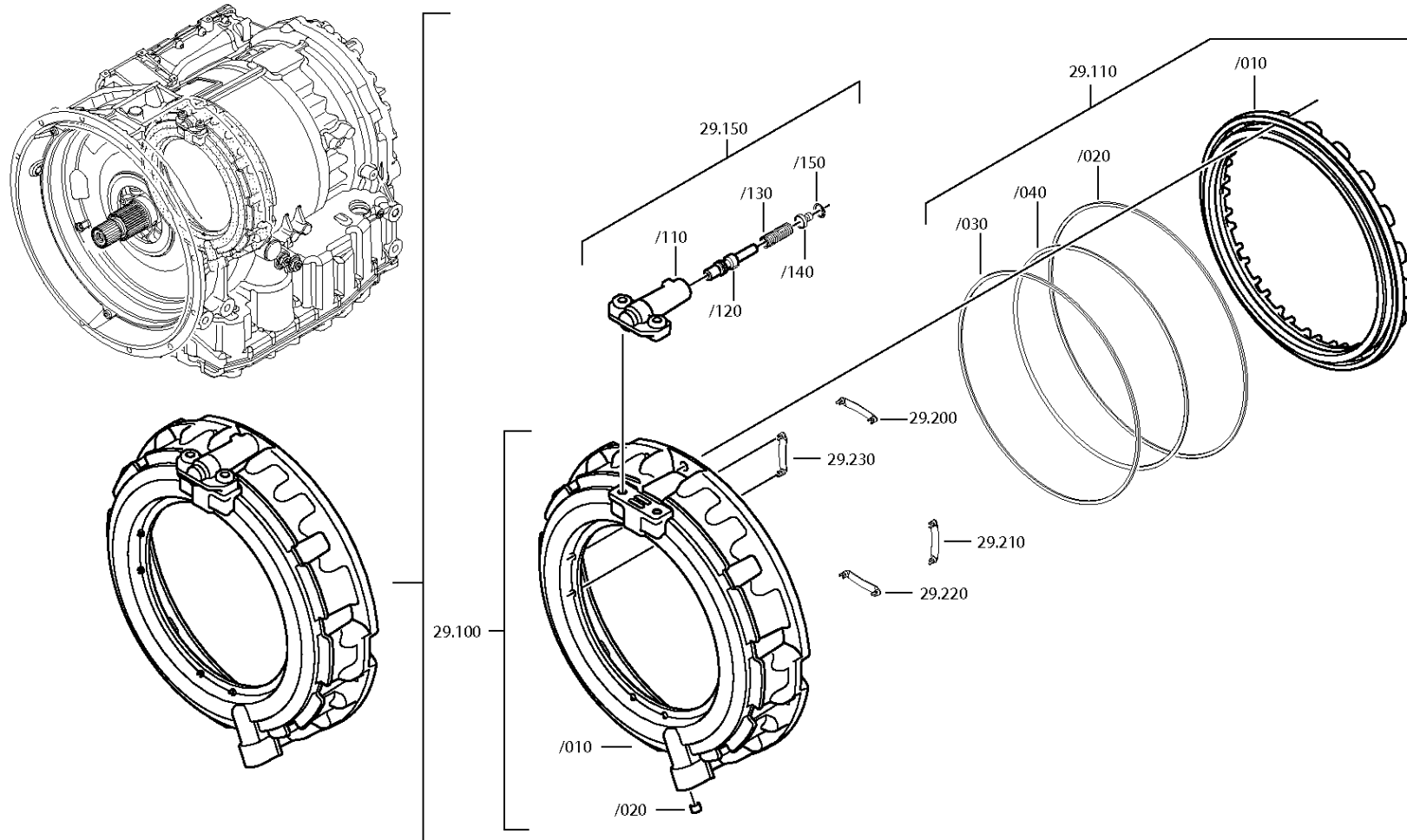
Material number: 4181.040.150

Plant: 130.29.01-1

CHANGE OVER VALVE



6 AP 1400 B /  
CHANGE OVER VALVE



# Plant

Page 1 from 1

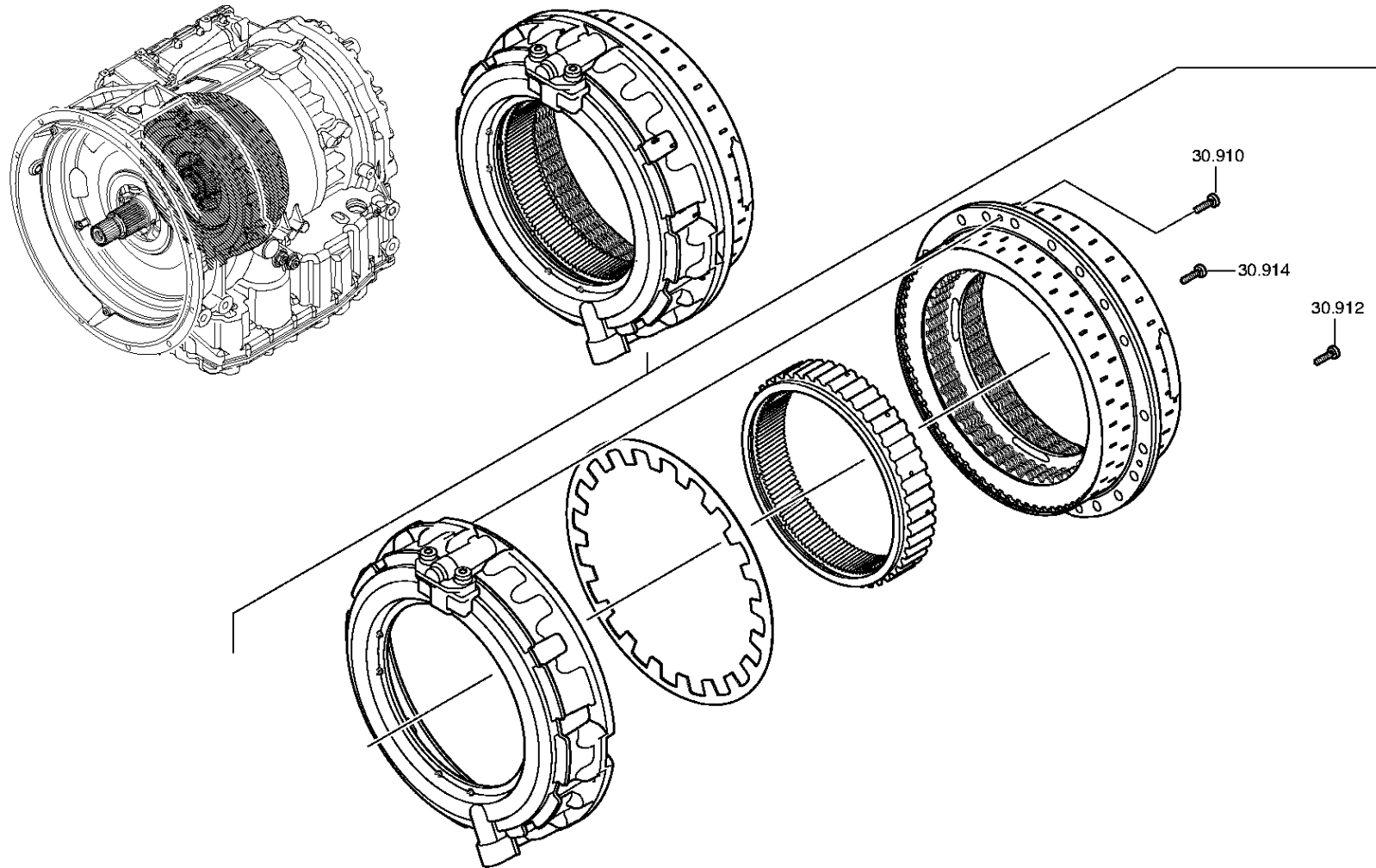
Material number: 4181.040.150

Plant: 130.30.01-1

Material-assembly-group-no: 4181.129.802



6 AP 1400 B /  
PISTON SUPPORT



# Plant

Page 1 from 2

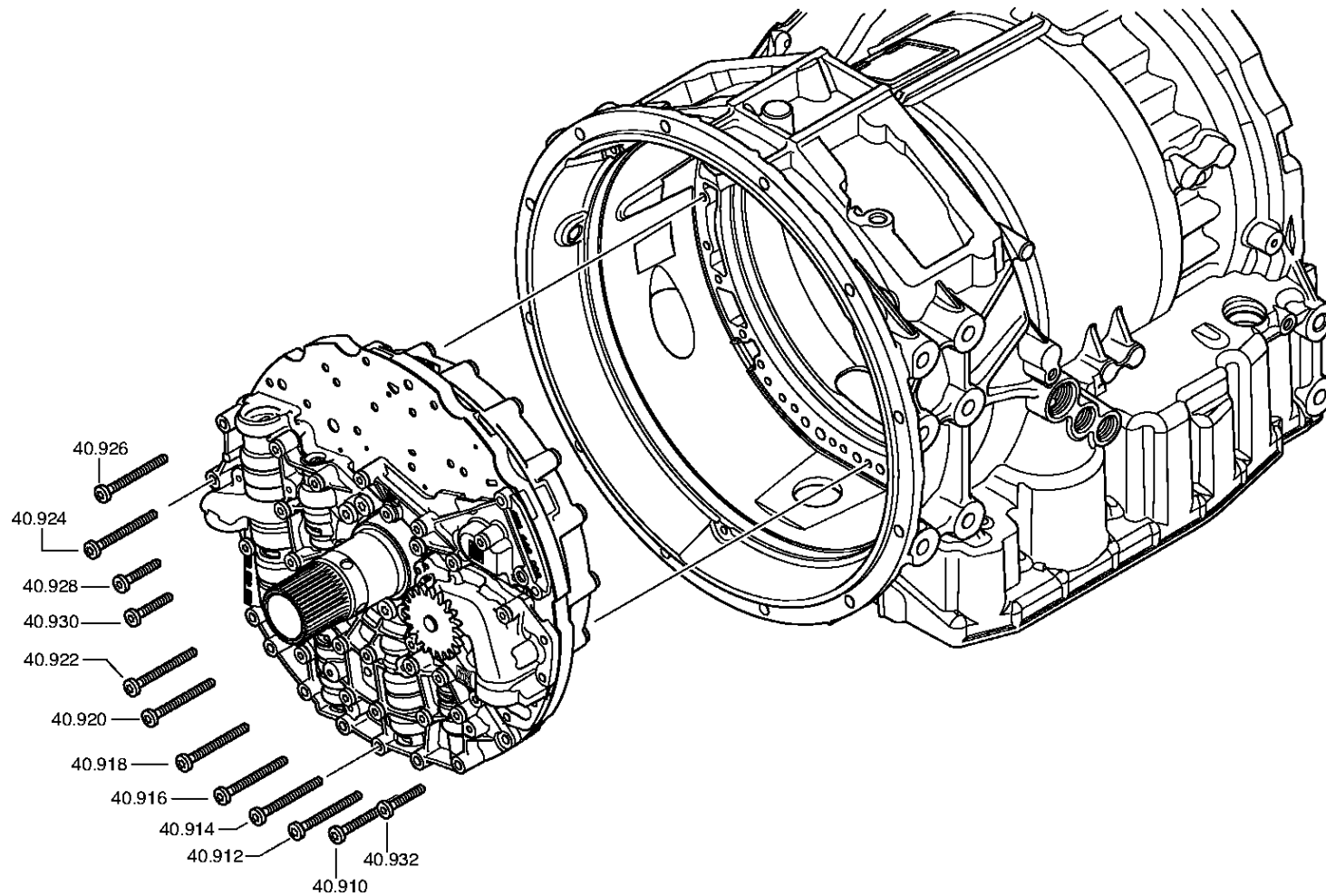
Material number: 4181.040.150

Plant: 130.40.80-1

Material-assembly-group-no: 4181.140.801



6 AP 1400 B /  
OIL SUPPLY



# Plant

Page 2 from 2

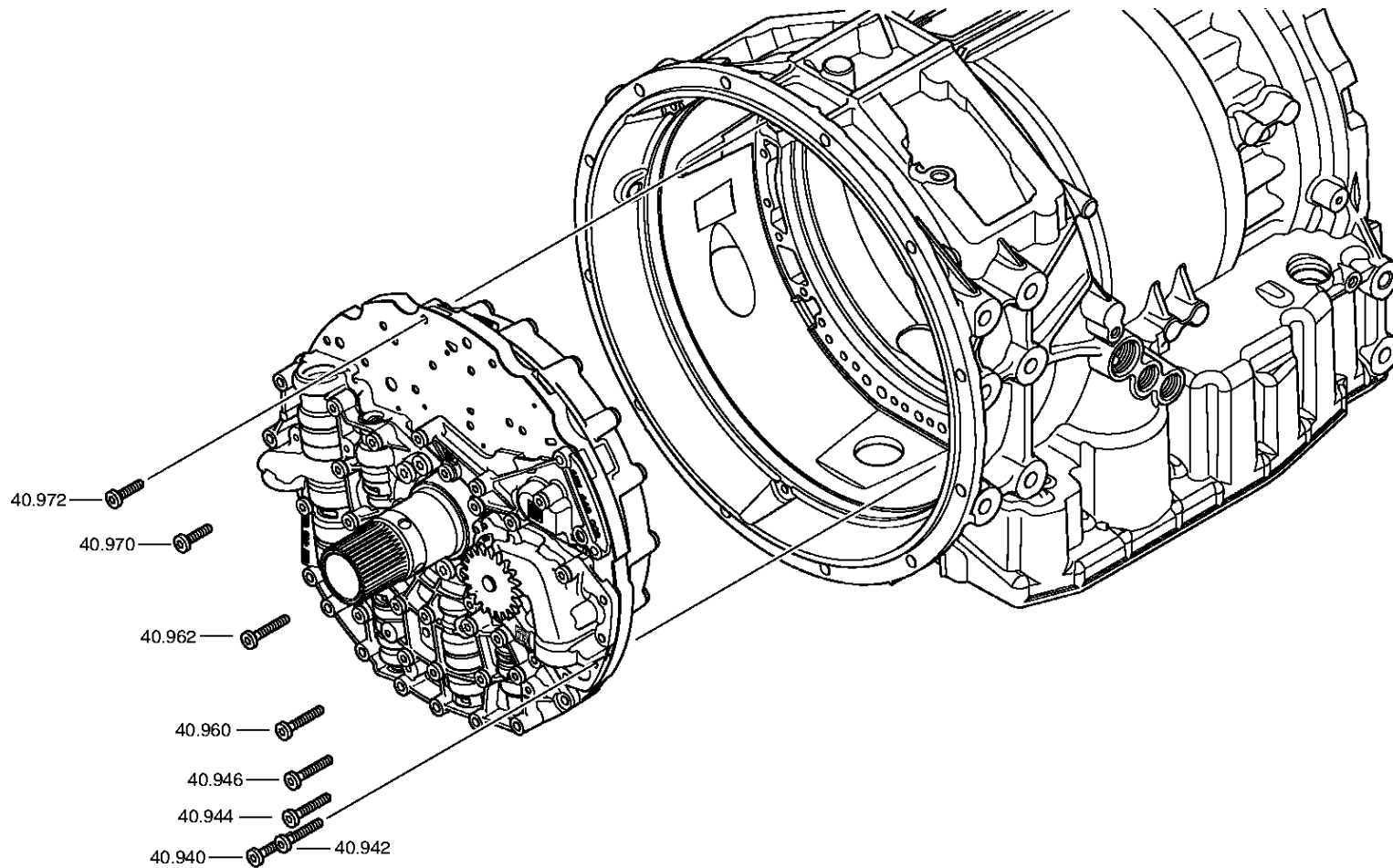
Material number: 4181.040.150

Plant: 130.40.80-2

Material-assembly-group-no: 4181.140.801



6 AP 1400 B /  
OIL SUPPLY



# Plant

Page 1 from 4

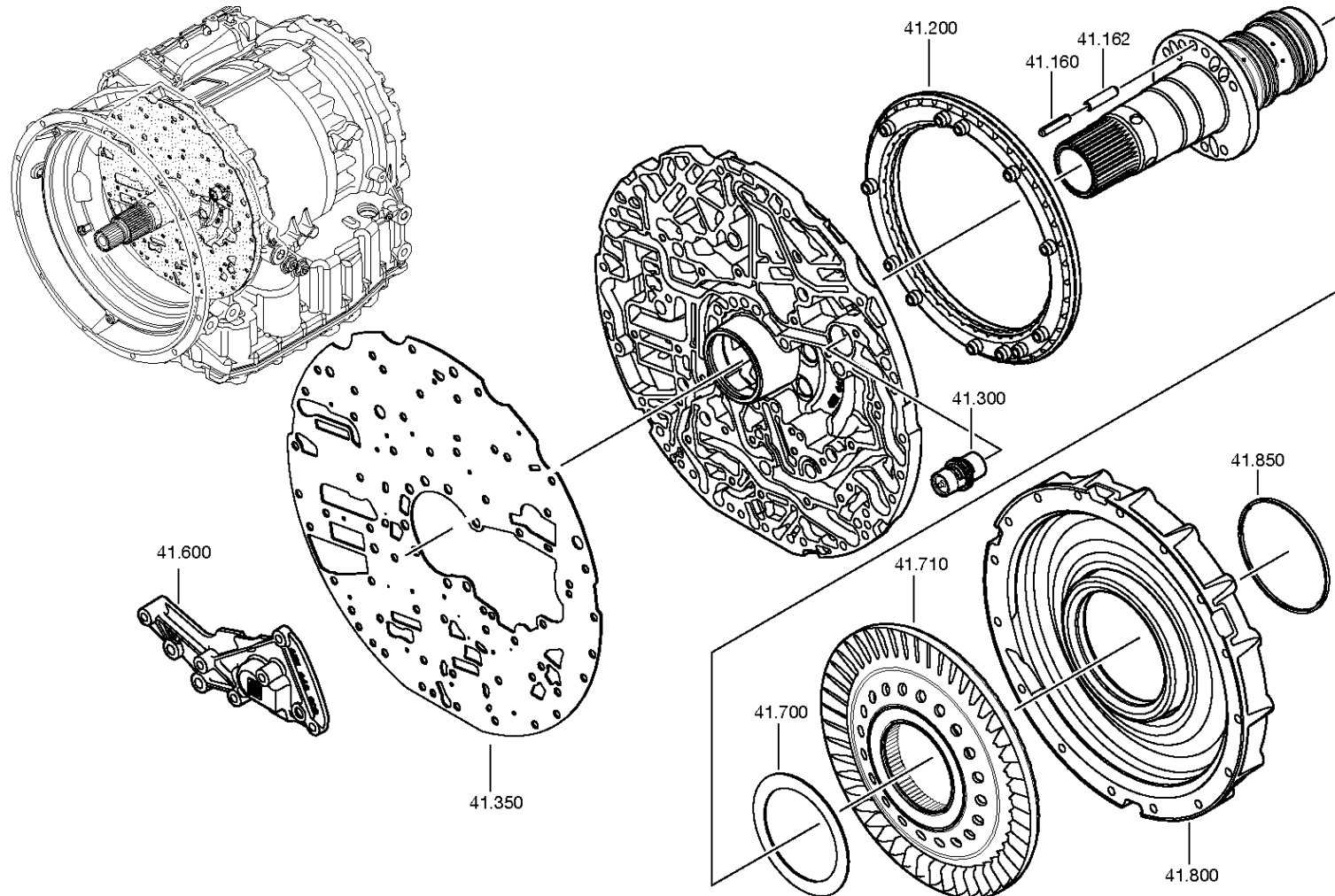
Material number: 4181.040.150

Plant: 130.41.01-1

Material-assembly-group-no: 4181.141.053



6 AP 1400 B /  
OIL SUPPLY



# Plant

Page 2 from 4

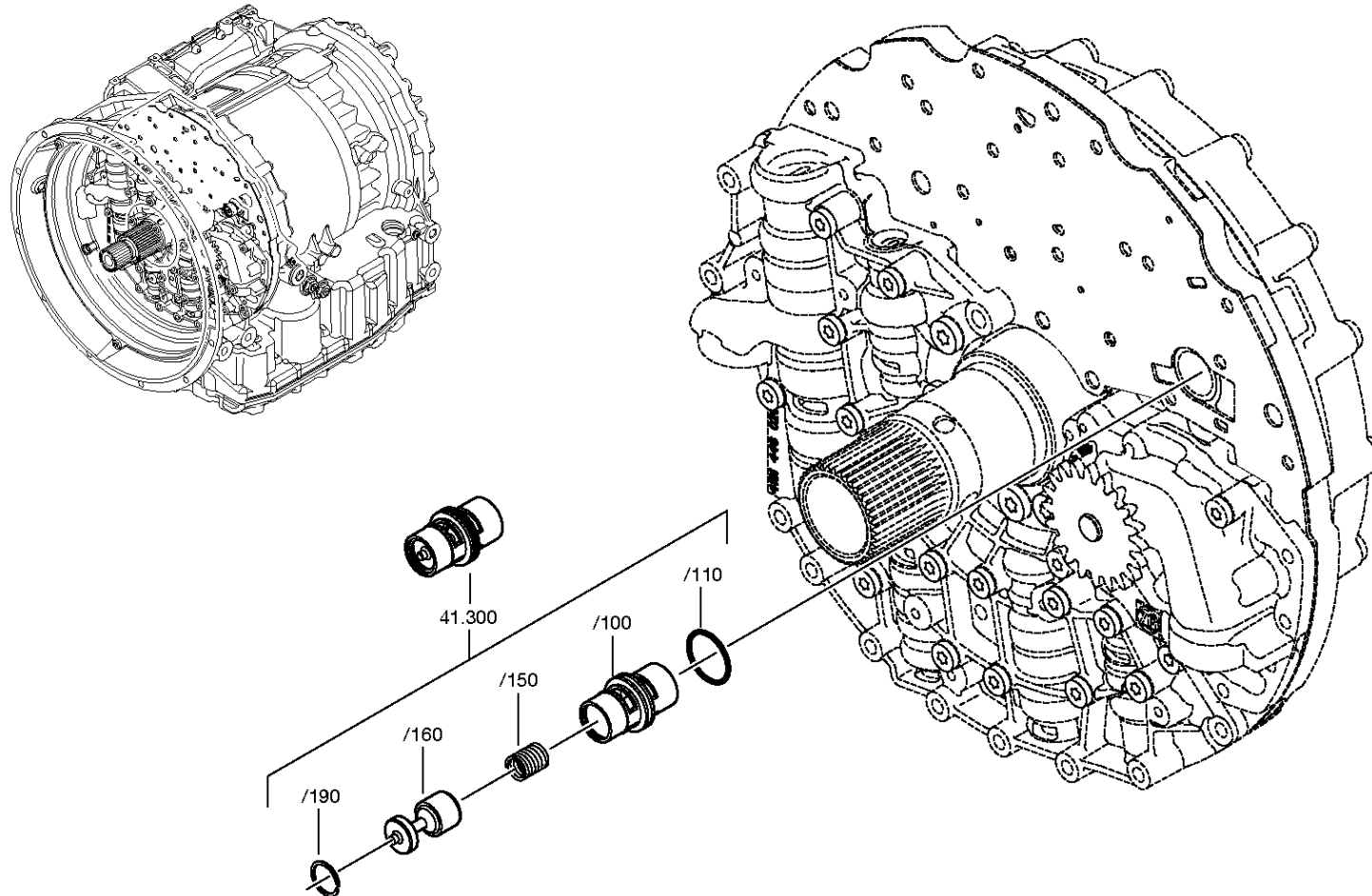
Material number: 4181.040.150

Plant: 130.41.01-2

Material-assembly-group-no: 4181.141.053



6 AP 1400 B /  
OIL SUPPLY





# Plant

Page 3 from 4

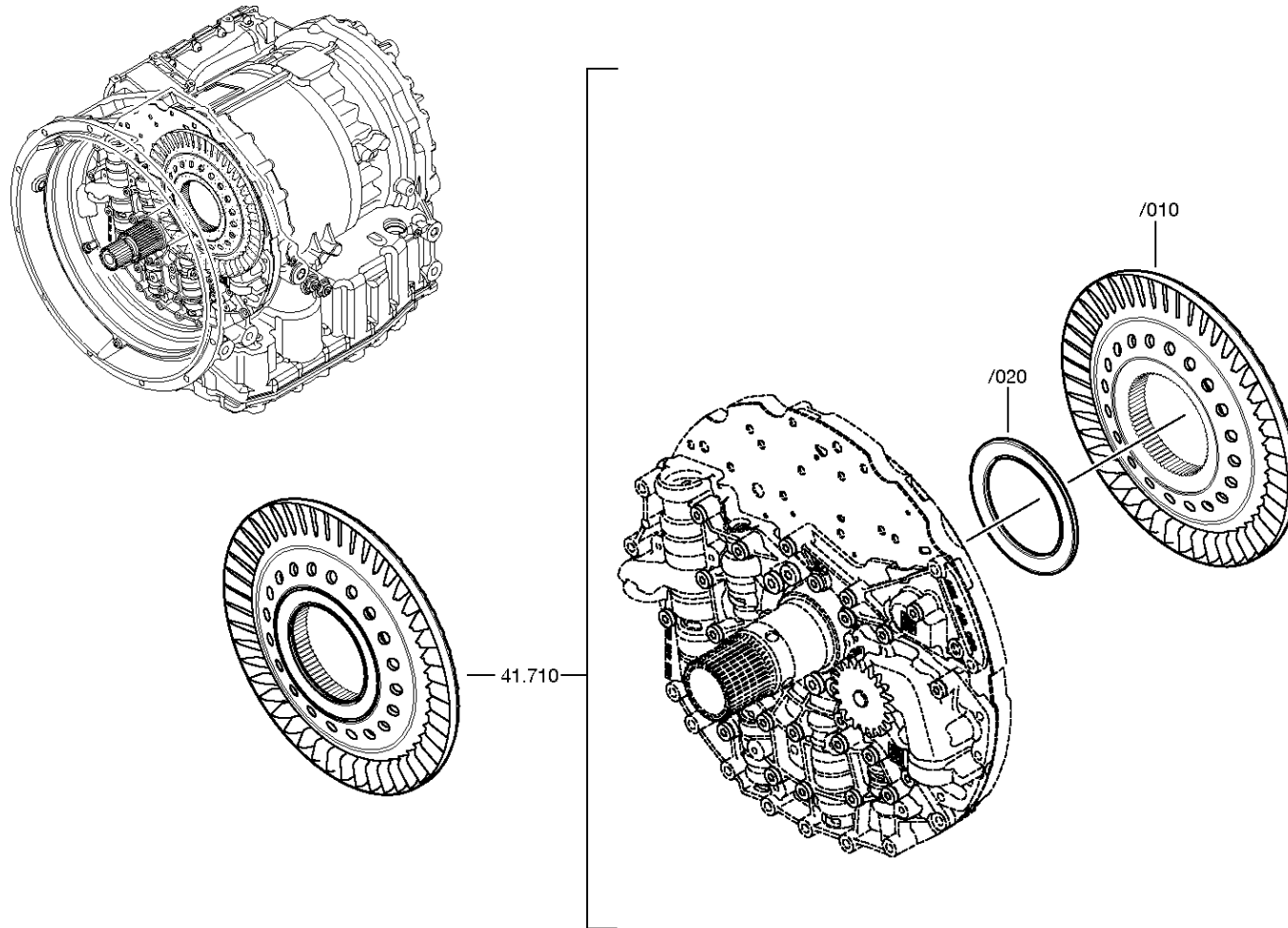
Material number: 4181.040.150

Plant: 130.41.01-3

Material-assembly-group-no: 4181.141.053



6 AP 1400 B /  
OIL SUPPLY





# Plant

Page 4 from 4

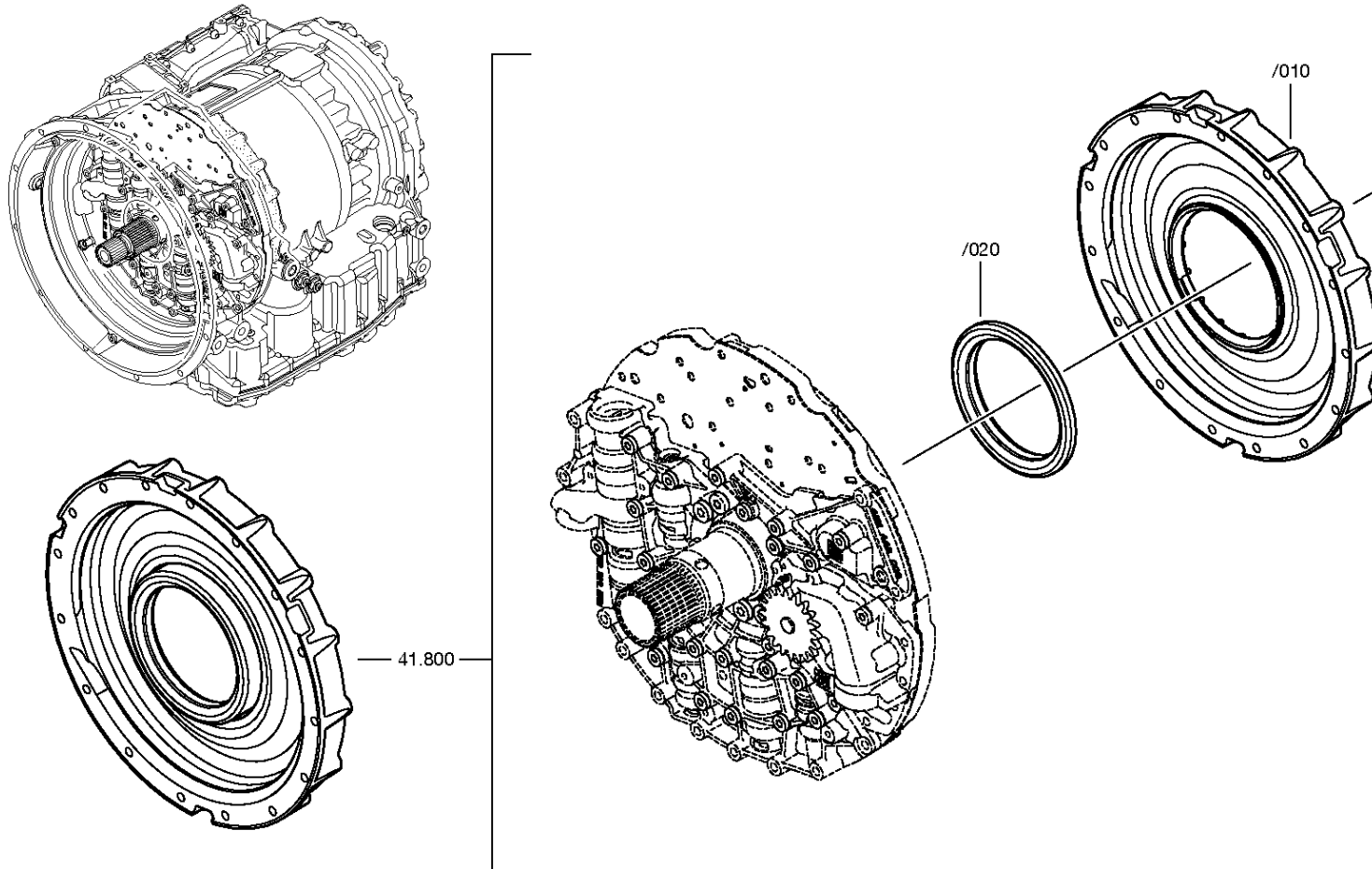
Material number: 4181.040.150

Plant: 130.41.01-4

Material-assembly-group-no: 4181.141.053



6 AP 1400 B /  
OIL SUPPLY



# Plant

Page 1 from 1

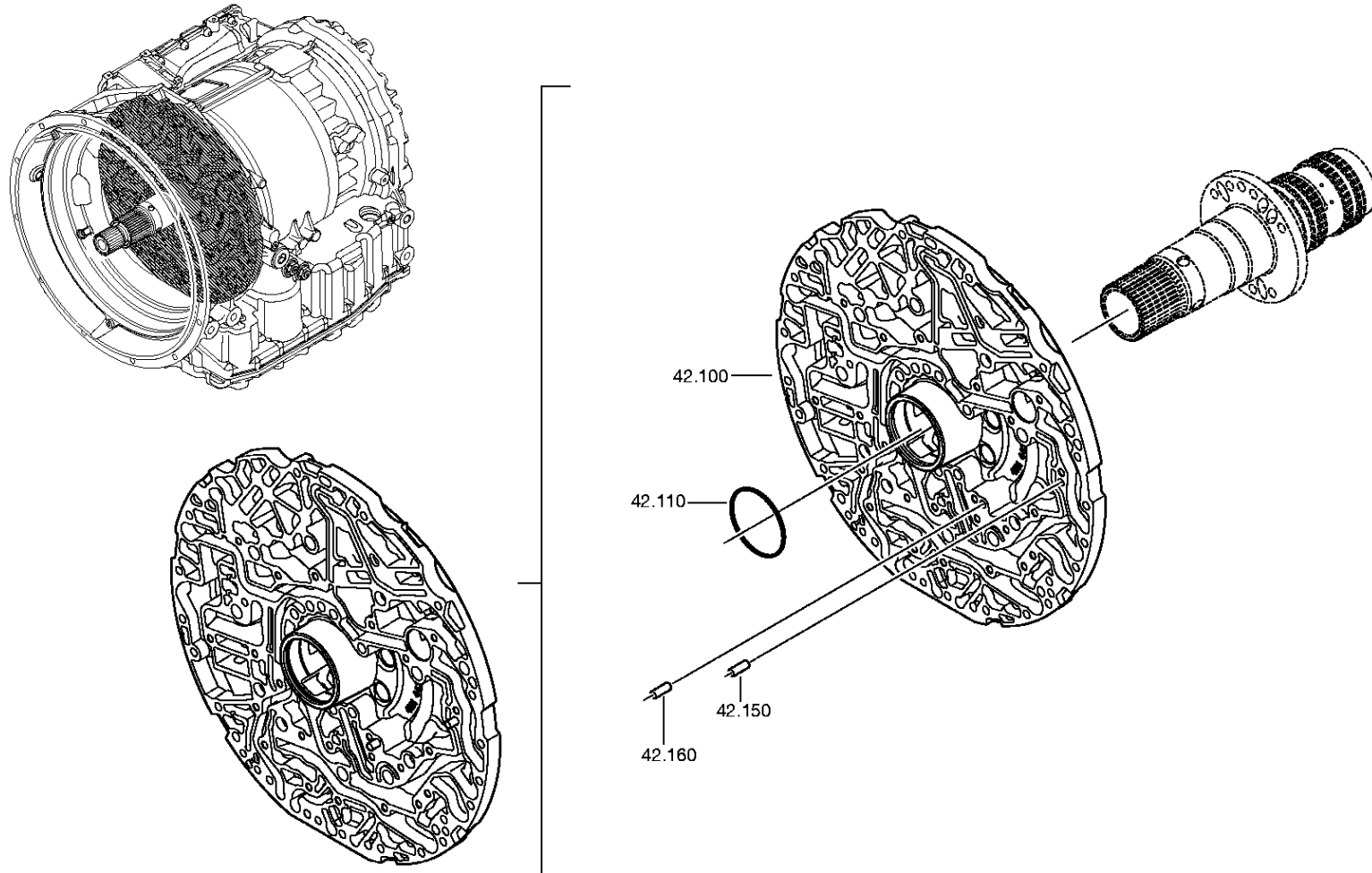
Material number: 4181.040.150

Plant: 130.42.01-1

Material-assembly-group-no: 4181.142.050



6 AP 1400 B /  
OIL FEED FLANGE



# Plant

Page 1 from 1

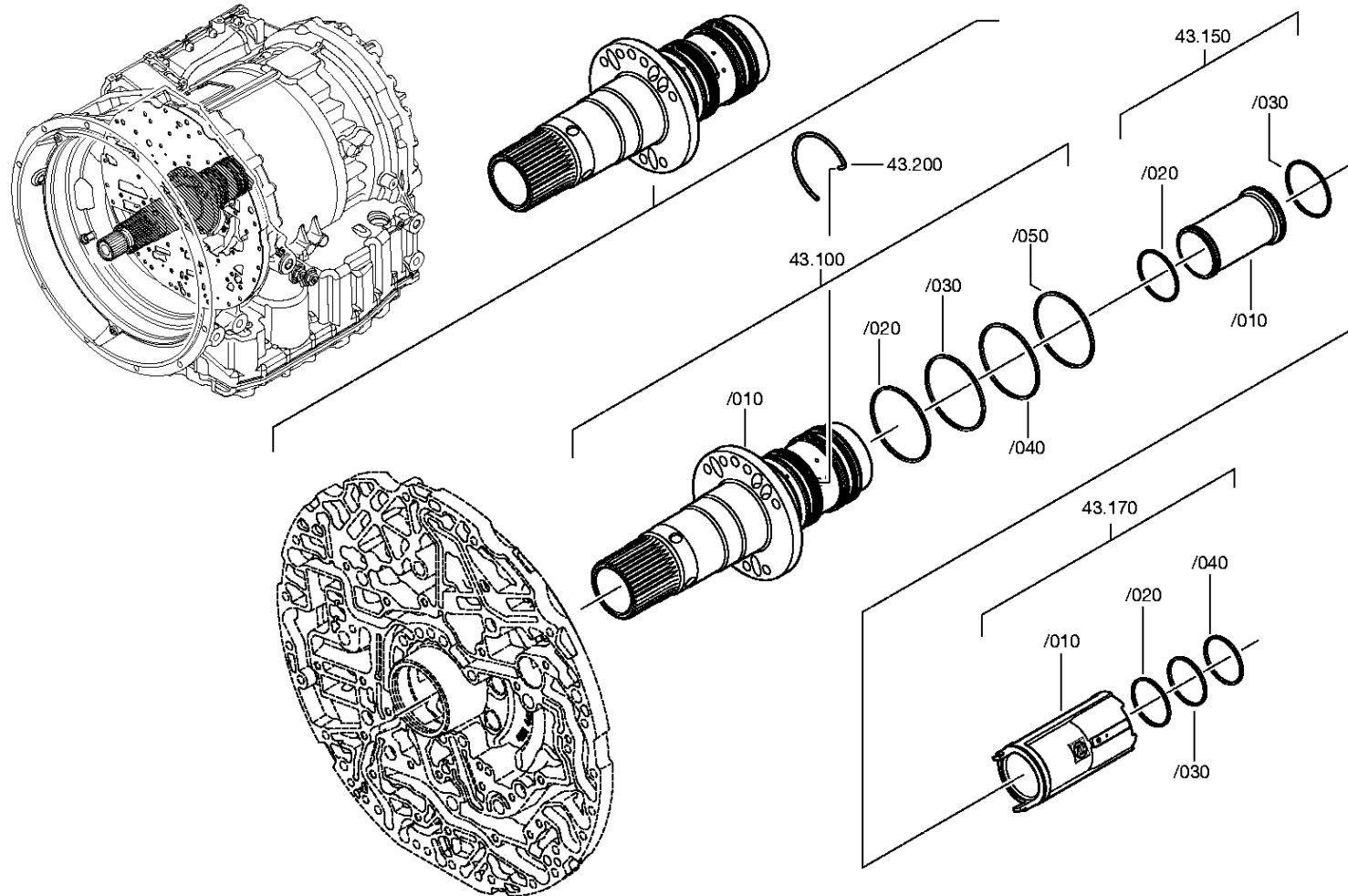
Material number: 4181.040.150

Plant: 130.43.01-1

Material-assembly-group-no: 4181.143.010



6 AP 1400 B /  
STATOR SHAFT



# Plant

Page 1 from 2

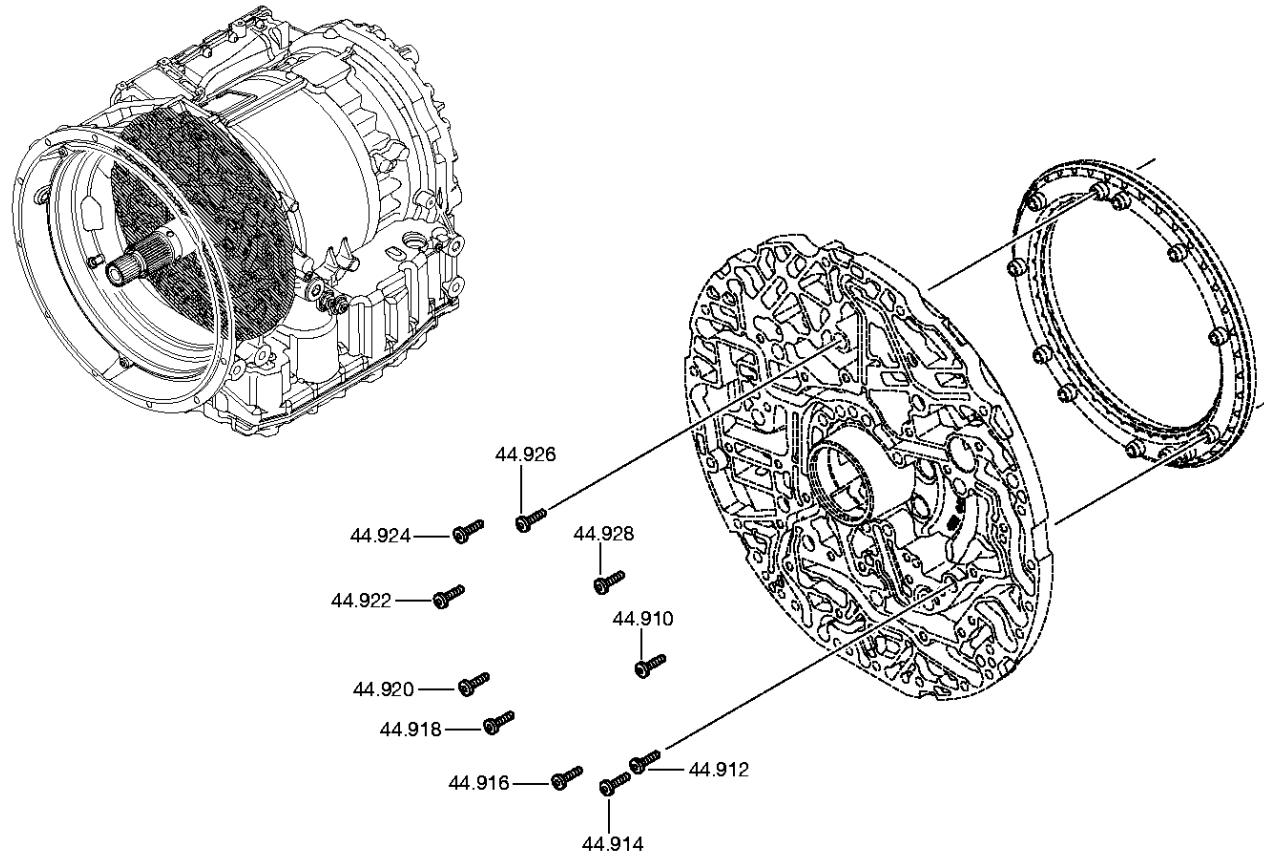
Material number: 4181.040.150

Plant: 130.44.82-1

STATOR RING



6 AP 1400 B /  
STATOR RING



# Plant

Page 2 from 2

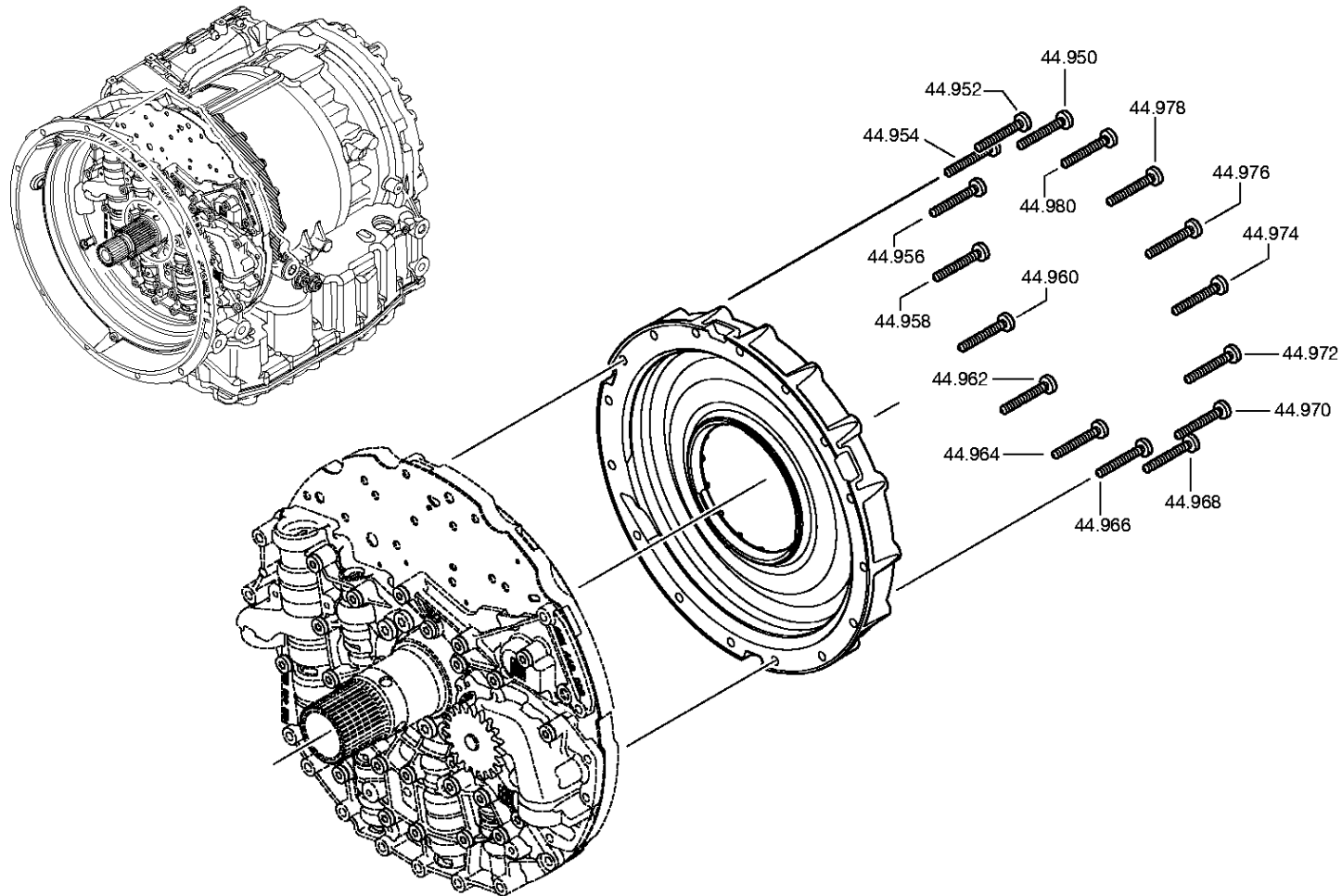
Material number: 4181.040.150

Plant: 130.44.81-1

STATOR RING



6 AP 1400 B /  
STATOR RING



# Plant

Page 1 from 3

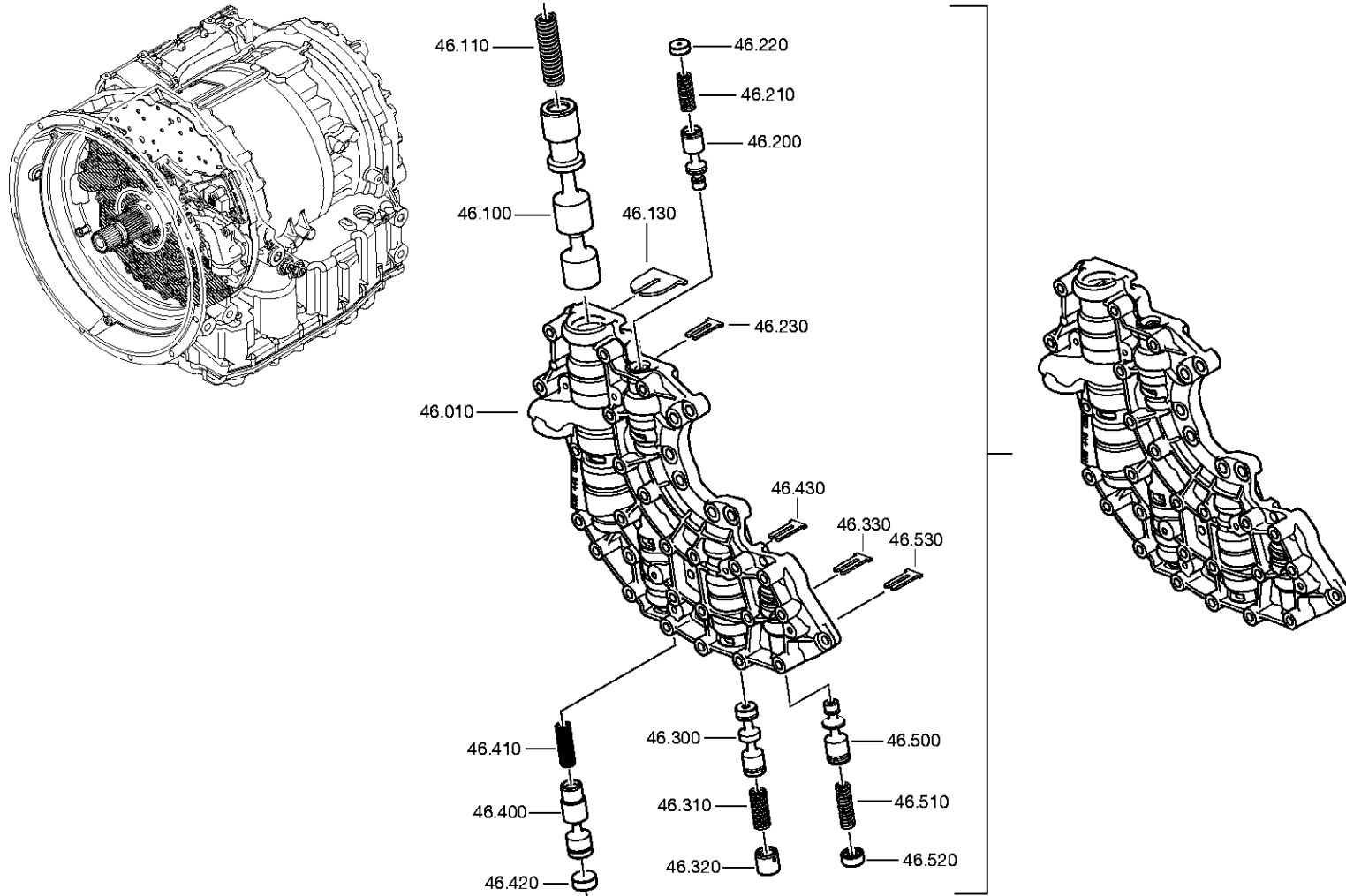
Material number: 4181.040.150

Plant: 130.46.01-1

VALVE HOUSING



6 AP 1400 B /  
VALVE HOUSING



# Plant

Page 2 from 3

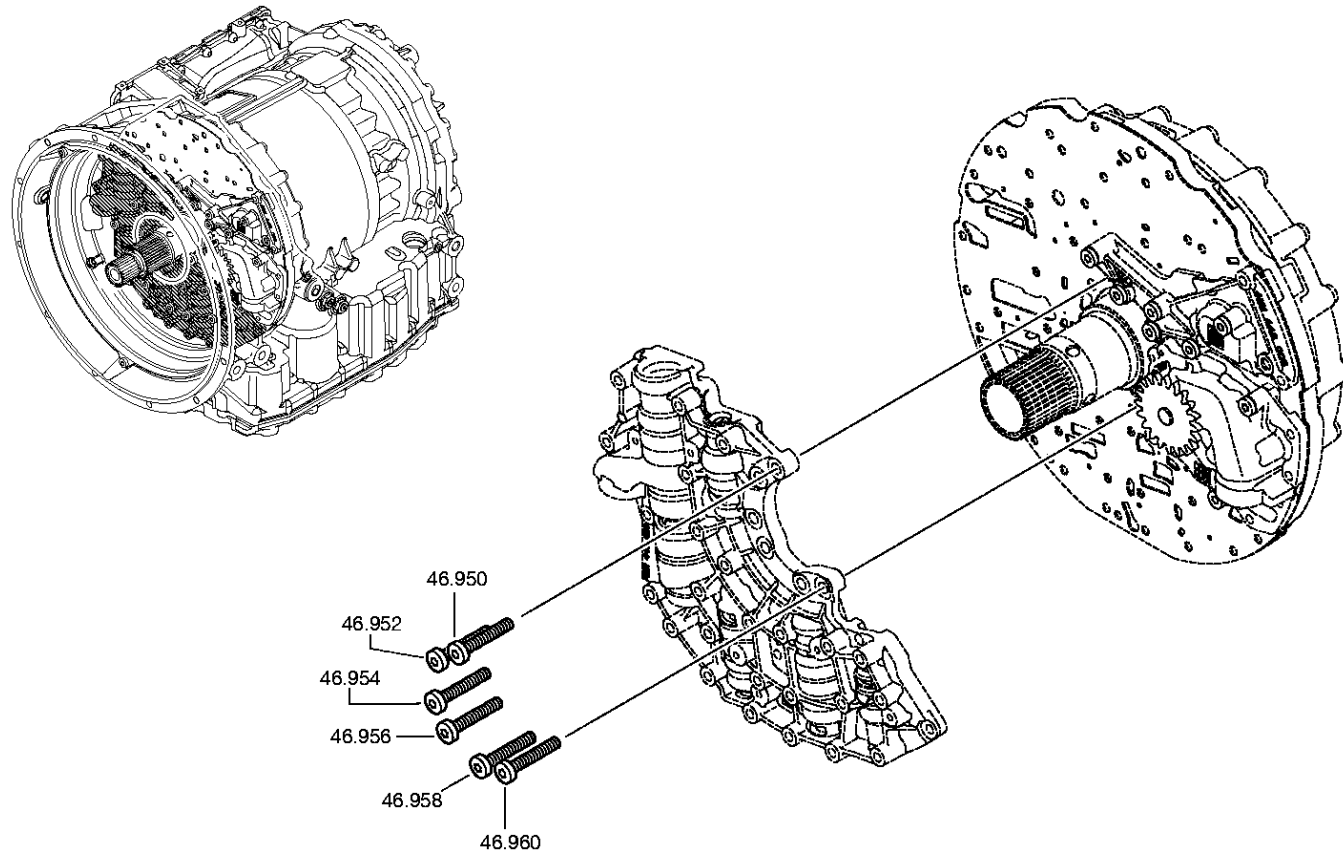
Material number: 4181.040.150

Plant: 130.46.80-1

VALVE HOUSING



6 AP 1400 B /  
VALVE HOUSING





# Plant

Page 3 from 3

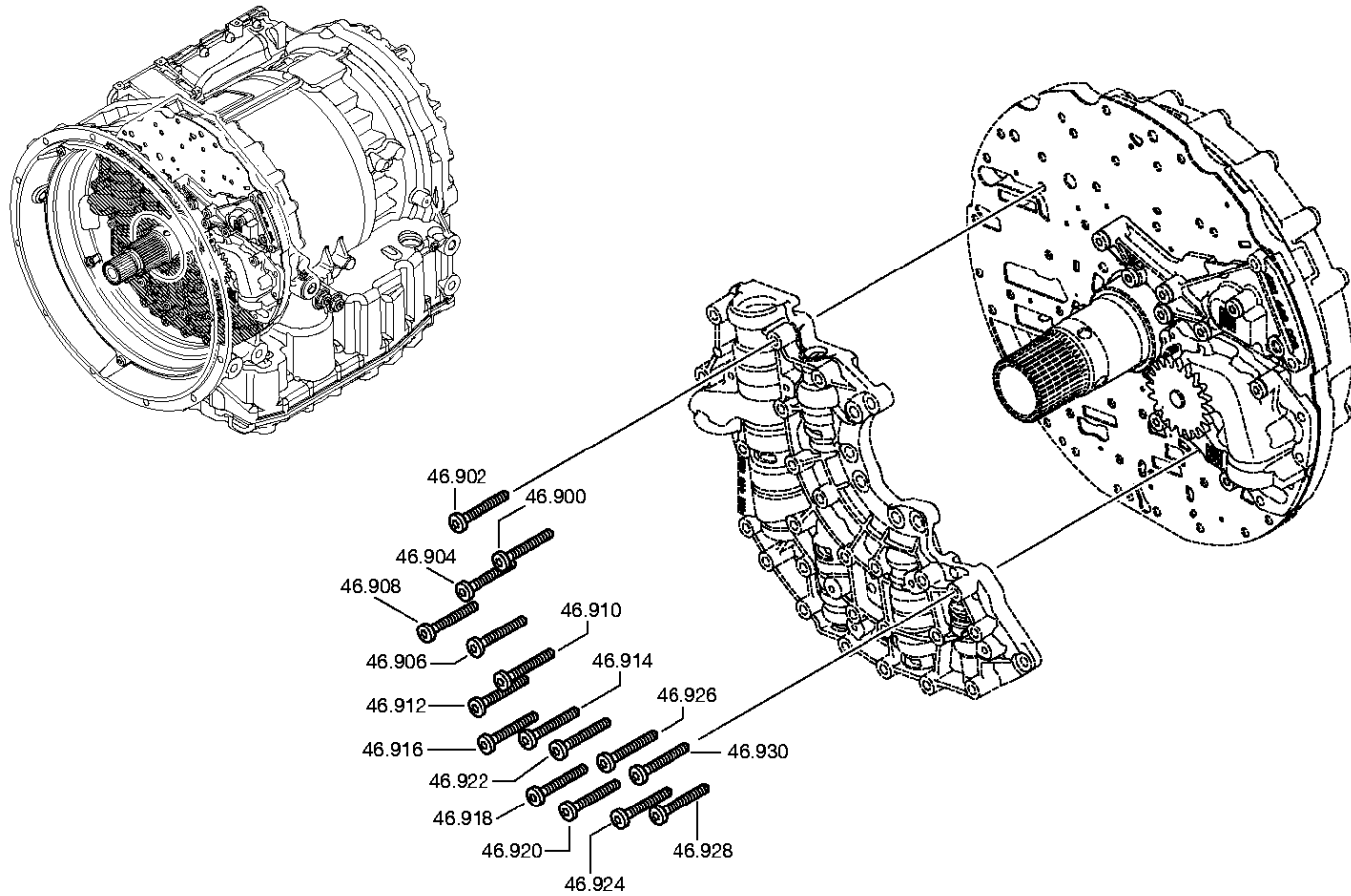
Material number: 4181.040.150

Plant: 130.46.80-2

VALVE HOUSING



6 AP 1400 B /  
VALVE HOUSING





# Plant

Page 1 from 2

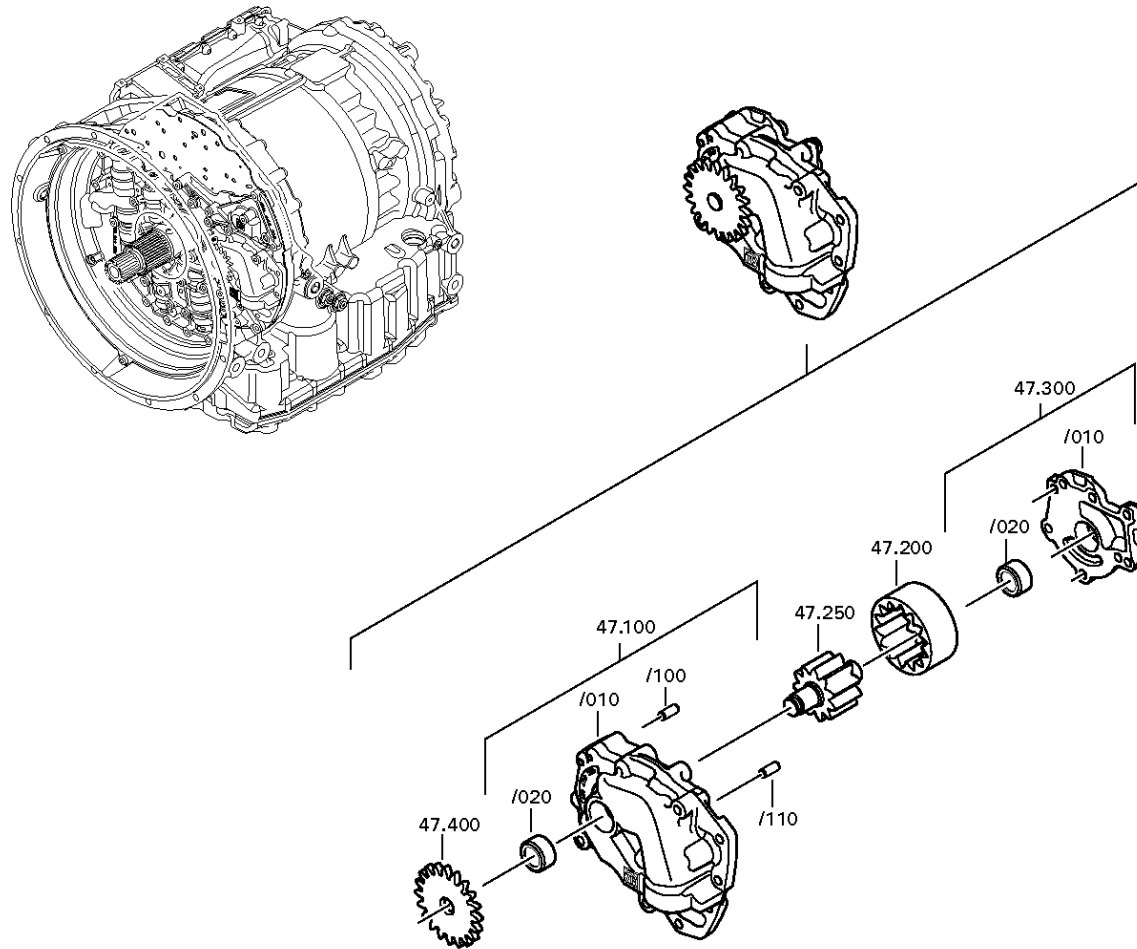
Material number: 4181.040.150

Plant: 130.47.01-1

PRIMARY PUMP



6 AP 1400 B /  
PRIMARY PUMP



# Plant

Page 2 from 2

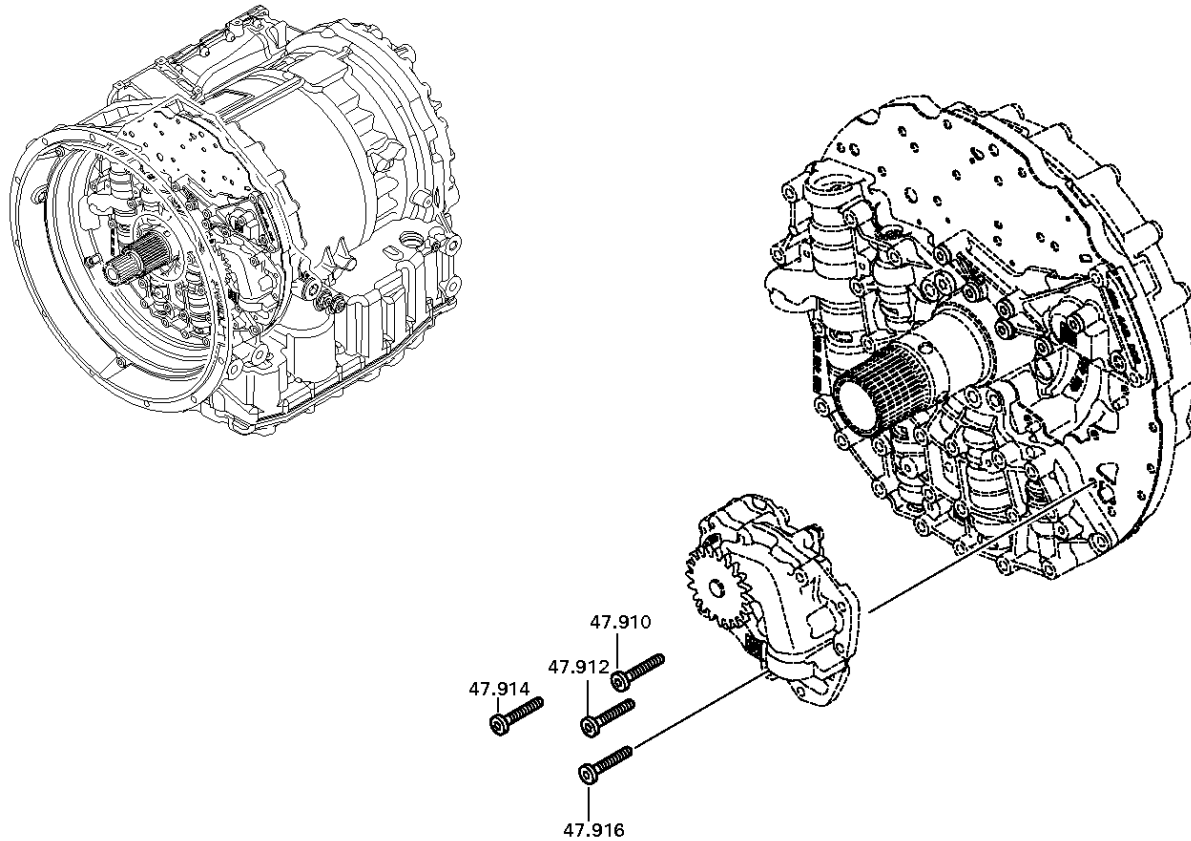
Material number: 4181.040.150

Plant: 130.47.50-1

PRIMARY PUMP



6 AP 1400 B /  
PRIMARY PUMP



# Plant

Page 1 from 1

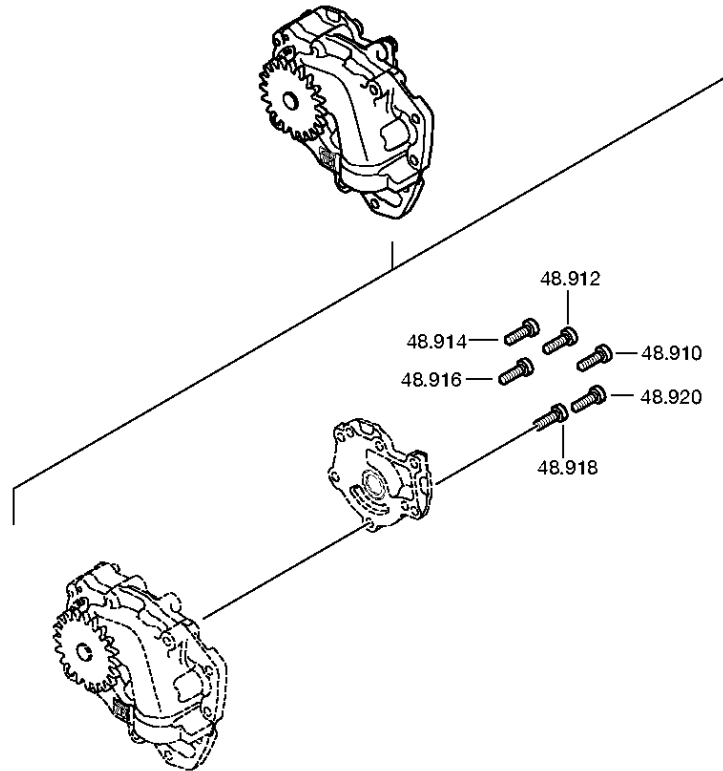
Material number: 4181.040.150

Plant: 130.48.80-1

Material-assembly-group-no: 4181.147.803



6 AP 1400 B /  
PUMP COVER



# Plant

Page 1 from 1

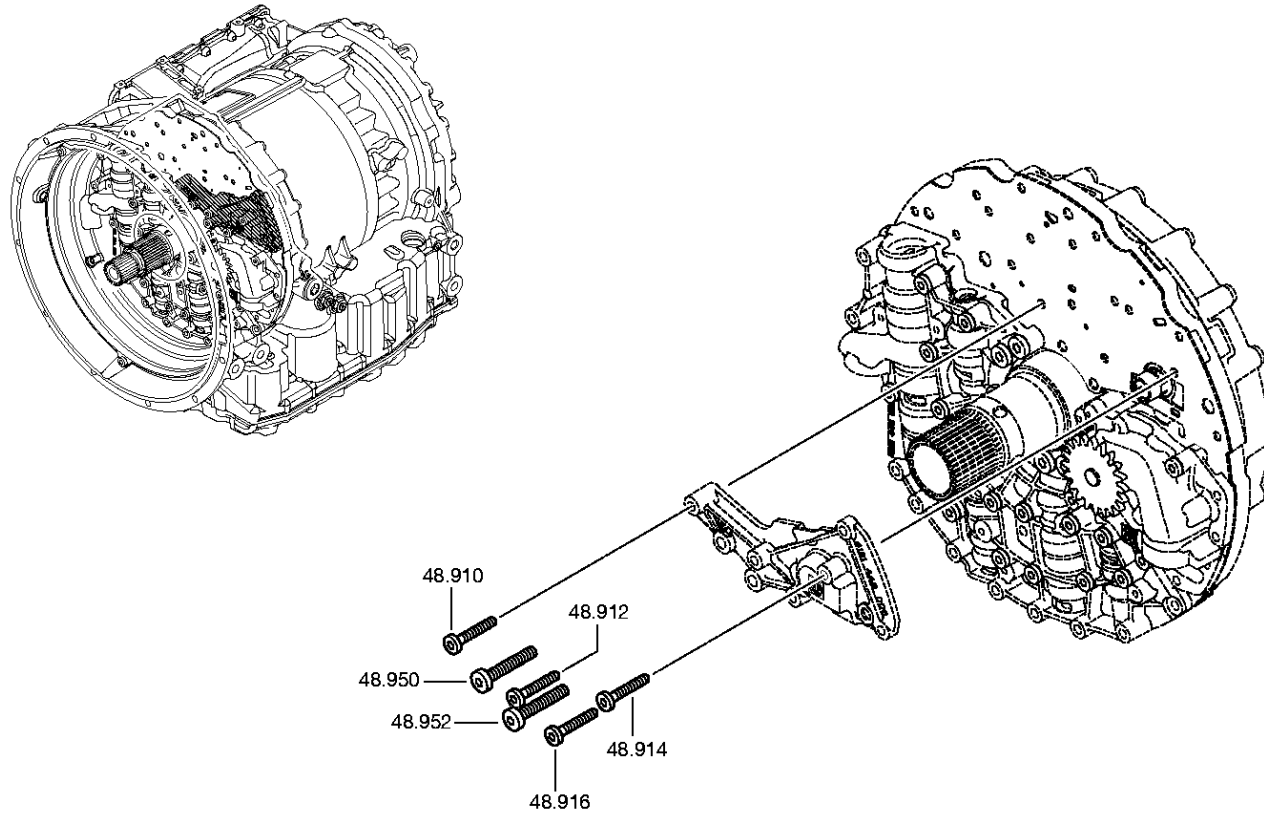
Material number: 4181.040.150

Plant: 130.49.80-1

Material-assembly-group-no: 4181.148.801



6 AP 1400 B /  
SUPPORTING PLATE



# Plant

Page 1 from 1

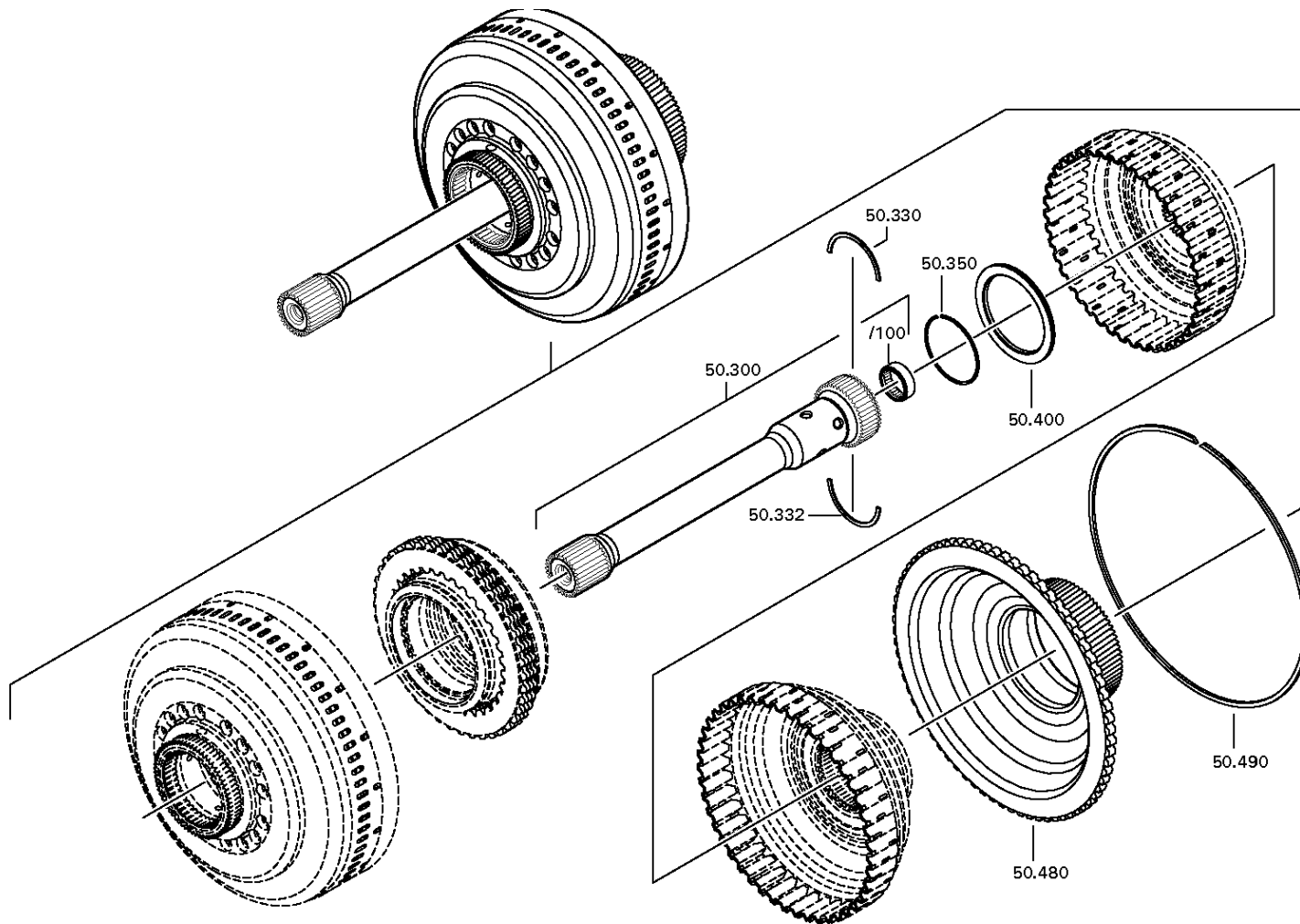
Material number: 4181.040.150

Plant: 130.50.01-1

Material-assembly-group-no: 4181.150.053



6 AP 1400 B /  
CLUTCH UNIT A+B



# Plant

Page 1 from 2

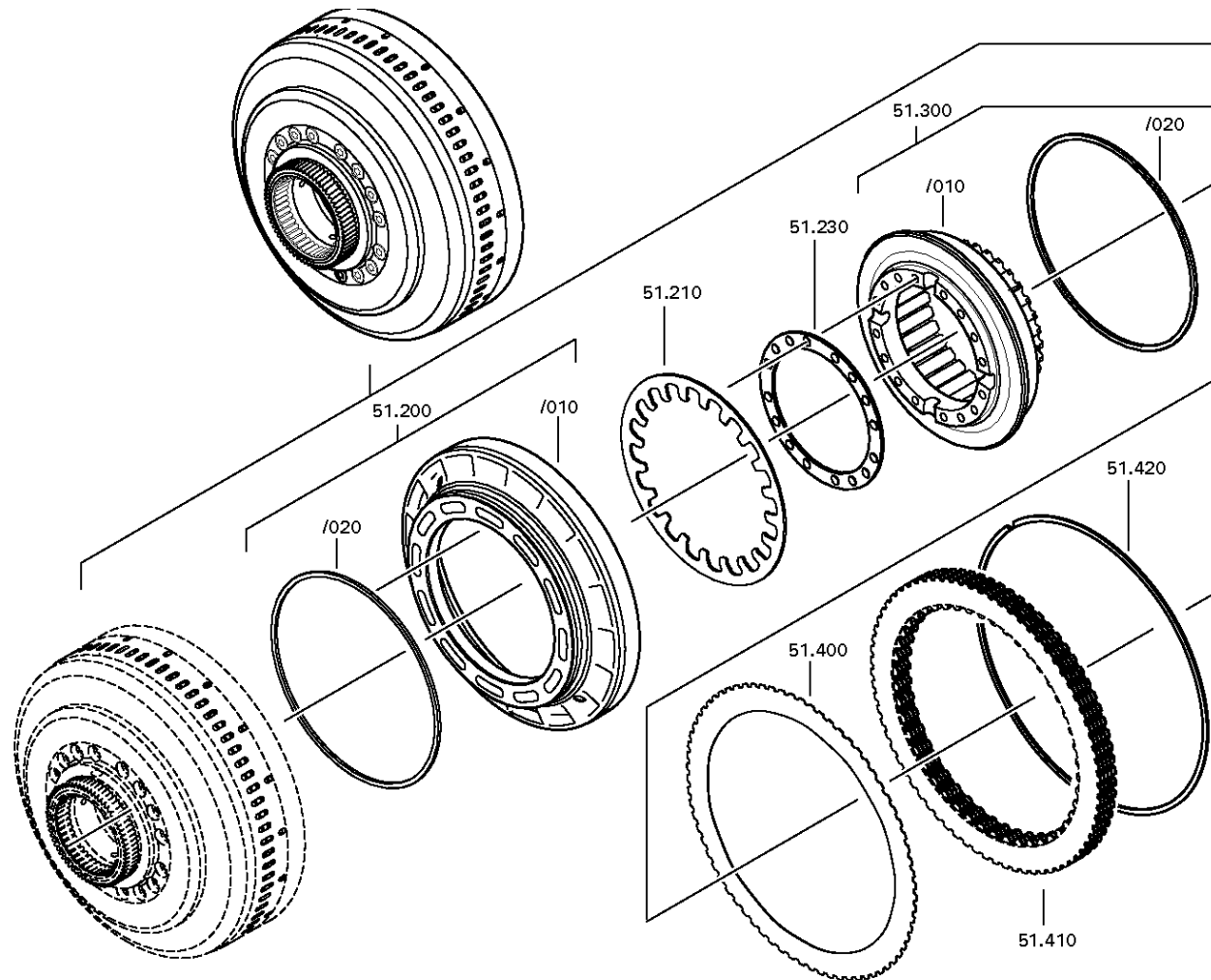
Material number: 4181.040.150

Plant: 130.51.01-1

Material-assembly-group-no: 4181.151.053



6 AP 1400 B /  
COUPLING B



# Plant

Page 2 from 2

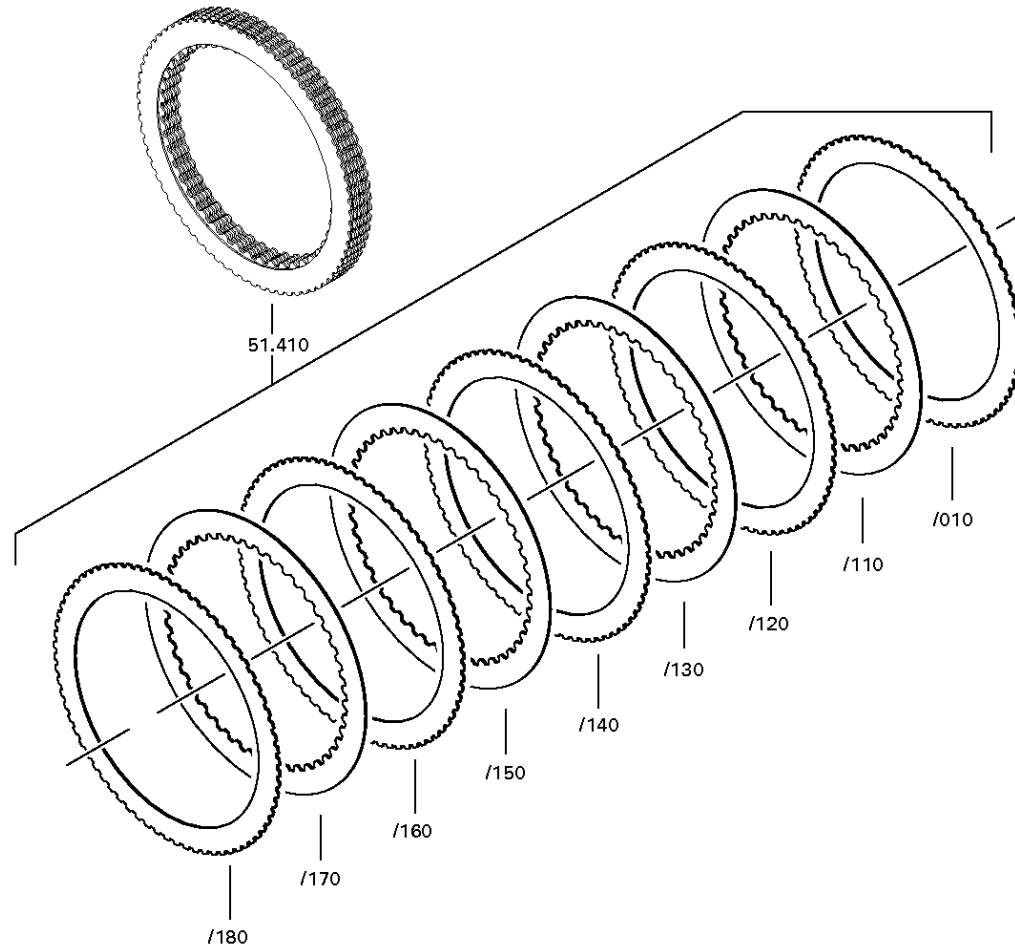
Material number: 4181.040.150

Plant: 130.51.01-2

Material-assembly-group-no: 4181.151.053



6 AP 1400 B /  
COUPLING B



# Plant

Page 1 from 2

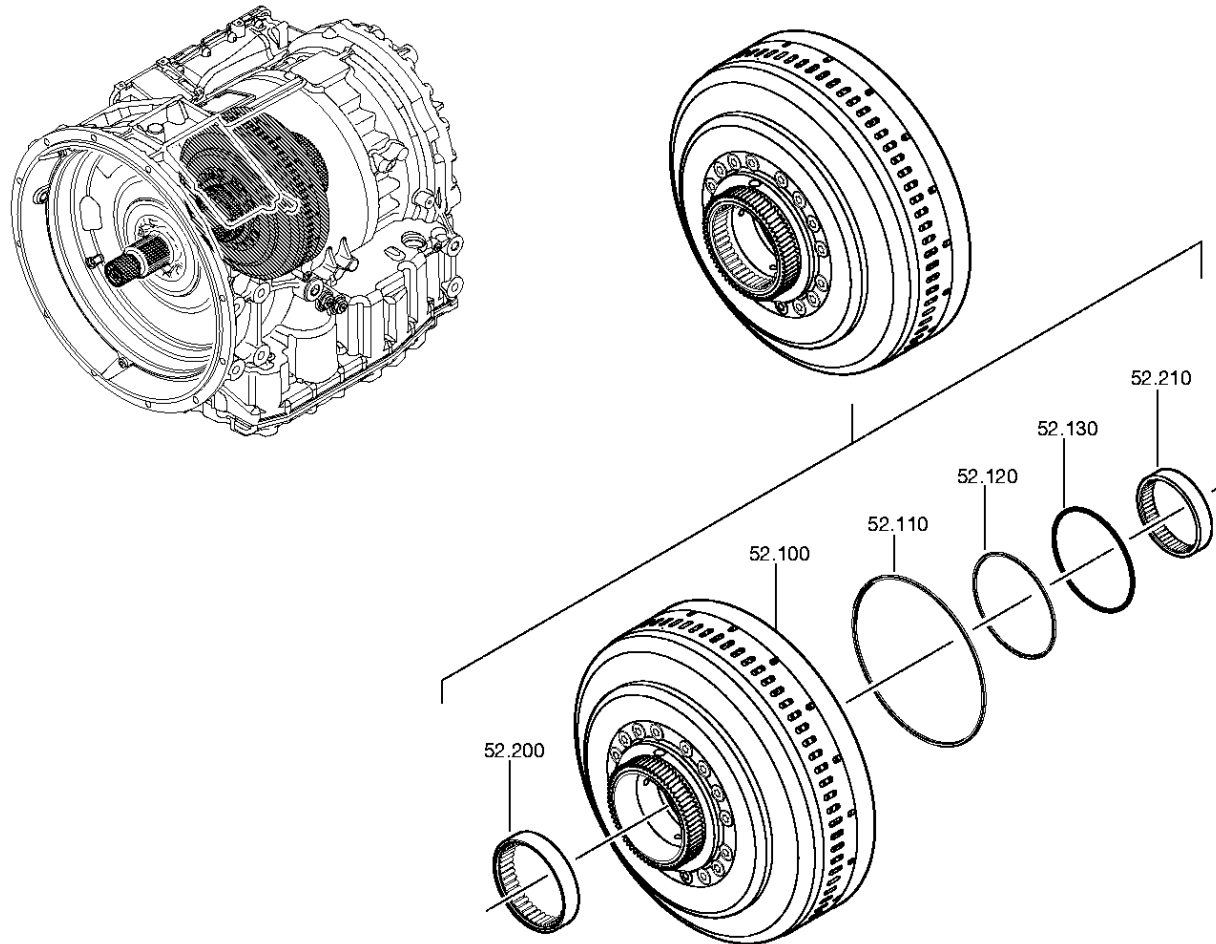
Material number: 4181.040.150

Plant: 130.52.01-1

HUB



6 AP 1400 B /  
HUB





# Plant

Page 2 from 2

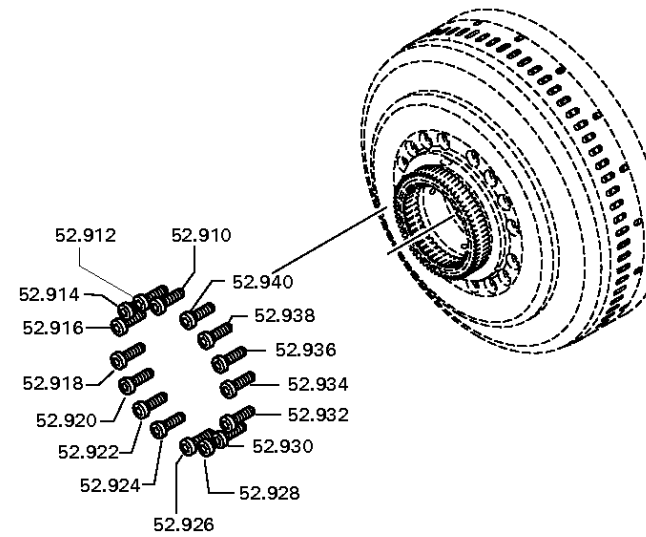
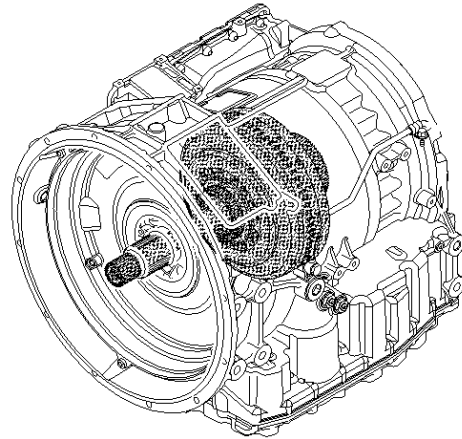
Material number: 4181.040.150

Plant: 130.52.80-1

HUB



6 AP 1400 B /  
HUB



# Plant

Page 1 from 2

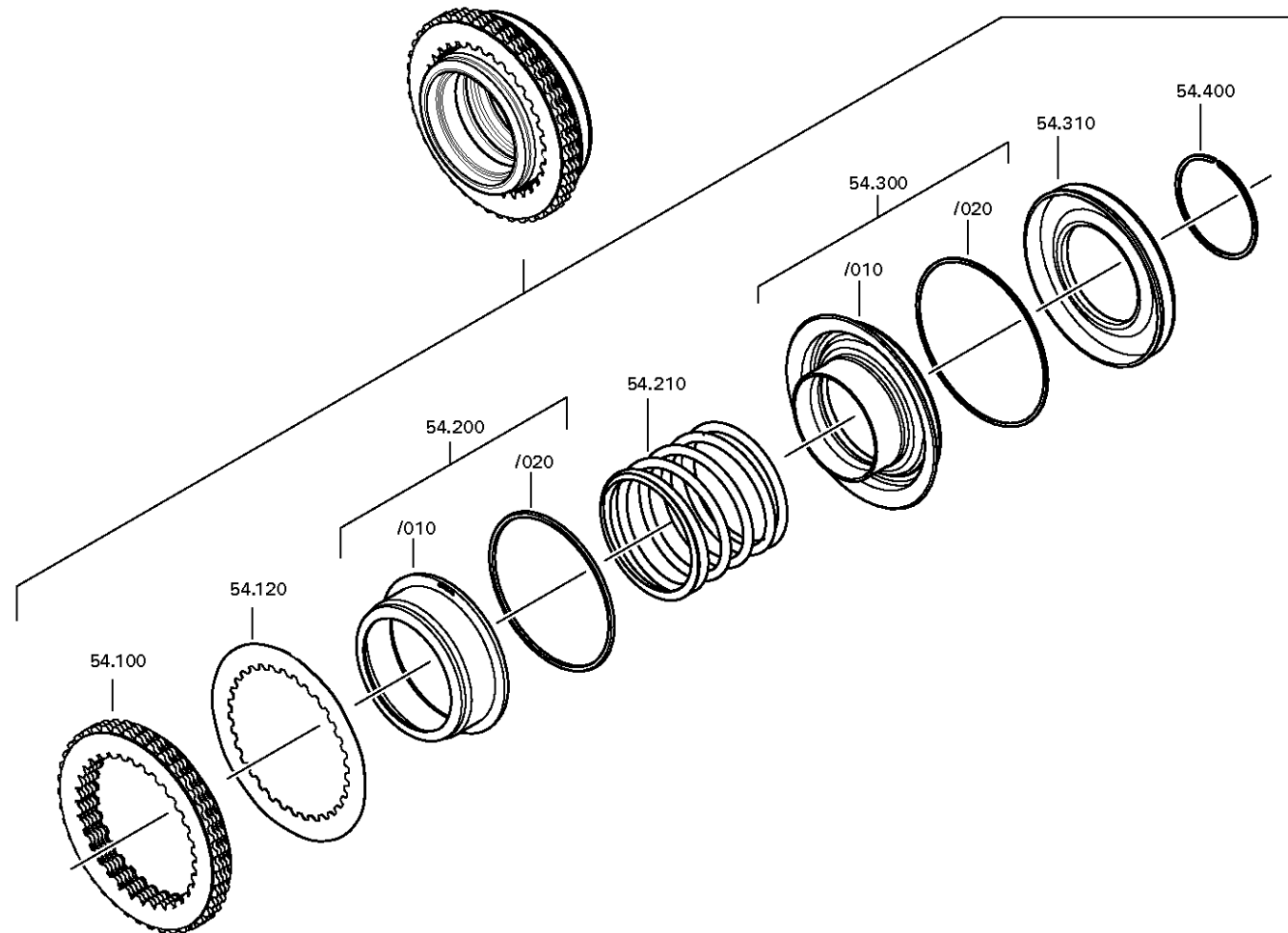
Material number: 4181.040.150

Plant: 130.54.03-1

Material-assembly-group-no: 4181.154.031



6 AP 1400 B /  
COUPLING A



# Plant

Page 2 from 2

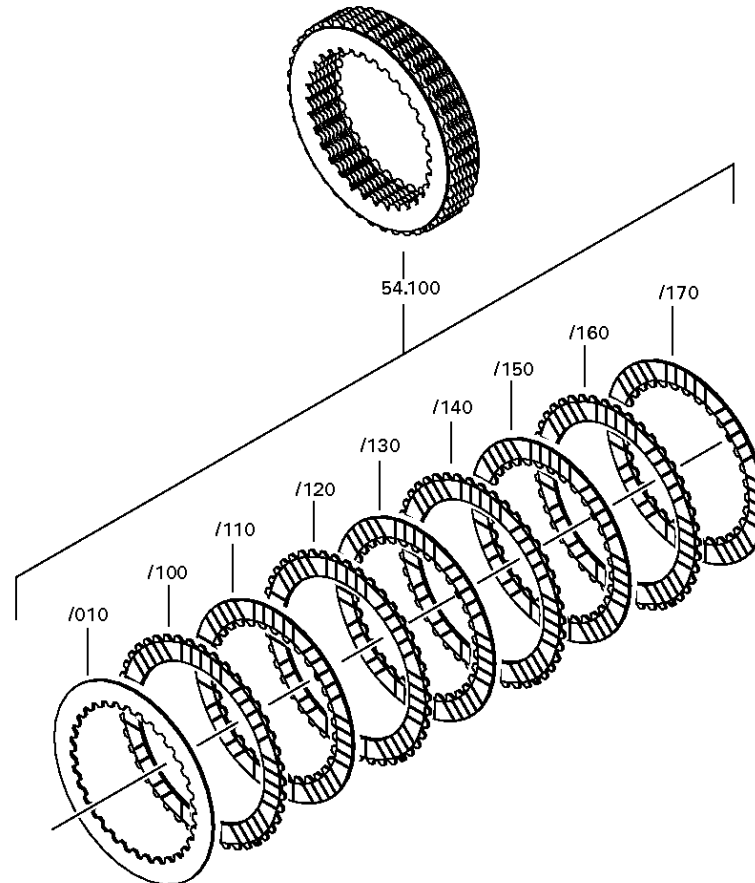
Material number: 4181.040.150

Plant: 130.54.03-2

Material-assembly-group-no: 4181.154.031



6 AP 1400 B /  
COUPLING A



# Plant

Page 1 from 1

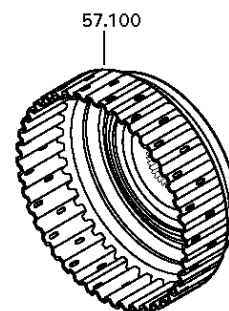
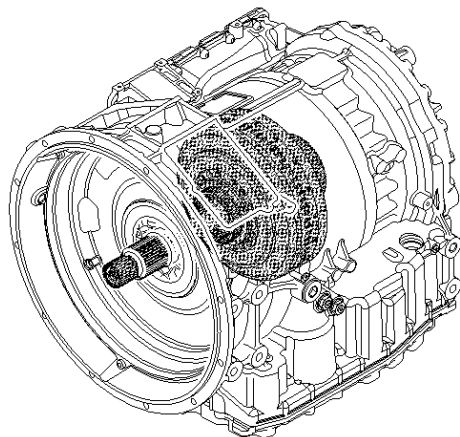
Material number: 4181.040.150

Plant: 130.57.01-1

Material-assembly-group-no: 4181.157.002



6 AP 1400 B /  
INPUT SHAFT



# Plant

Page 1 from 1

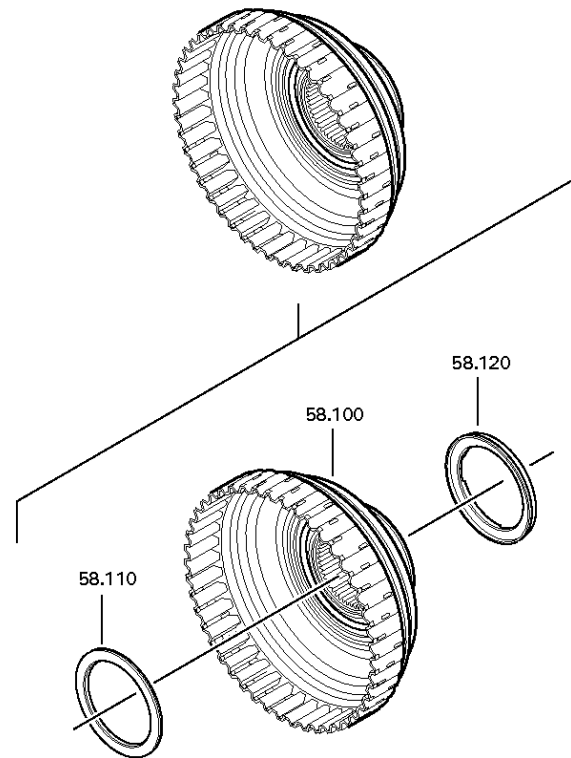
Material number: 4181.040.150

Plant: 130.58.01-1

Material-assembly-group-no: 4181.158.006



6 AP 1400 B /  
QUILL SHAFT



# Plant

Page 1 from 2

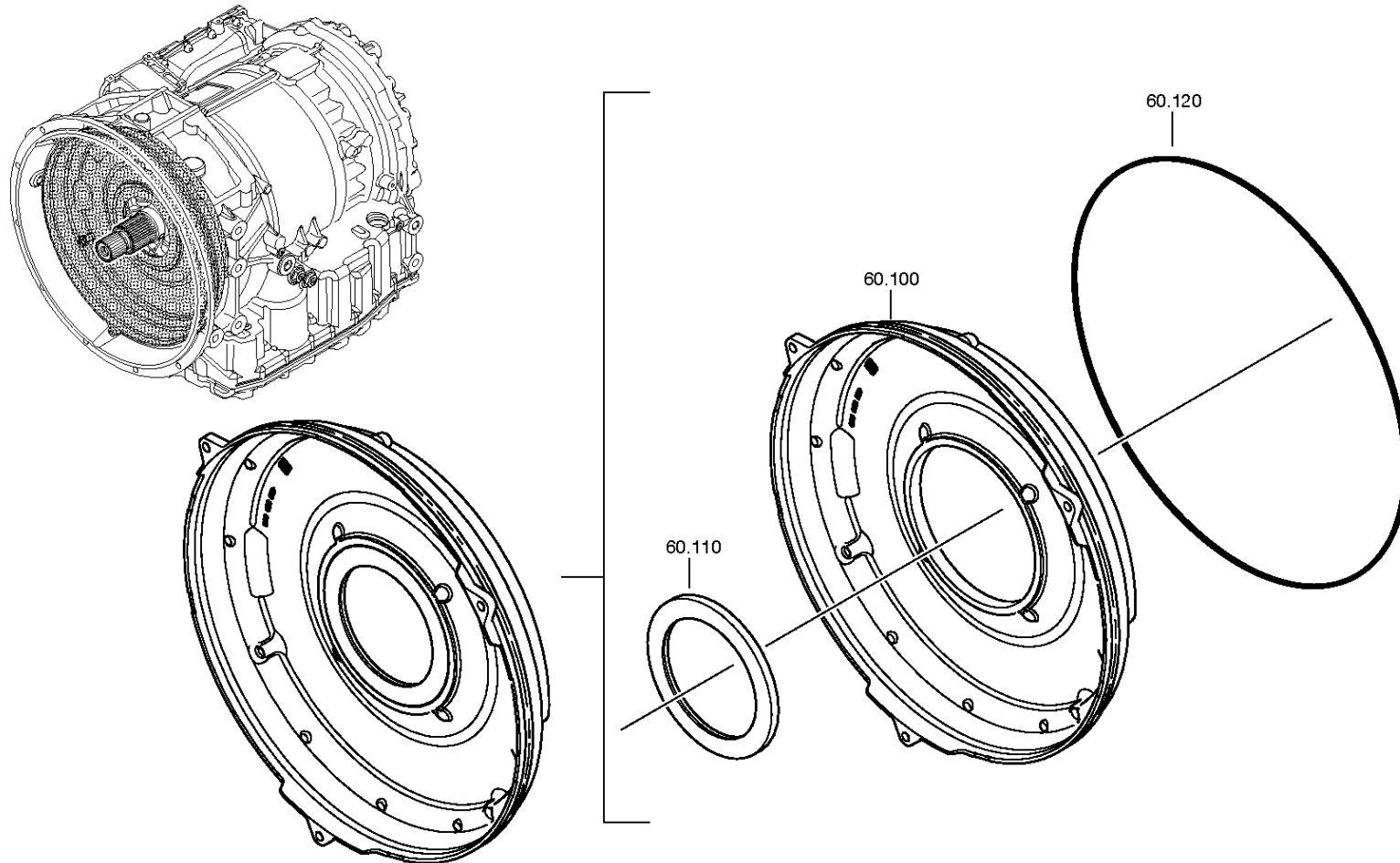
Material number: 4181.040.150

Plant: 130.60.02-1

COVER PLATE



6 AP 1400 B /  
COVER PLATE



# Plant

Page 2 from 2

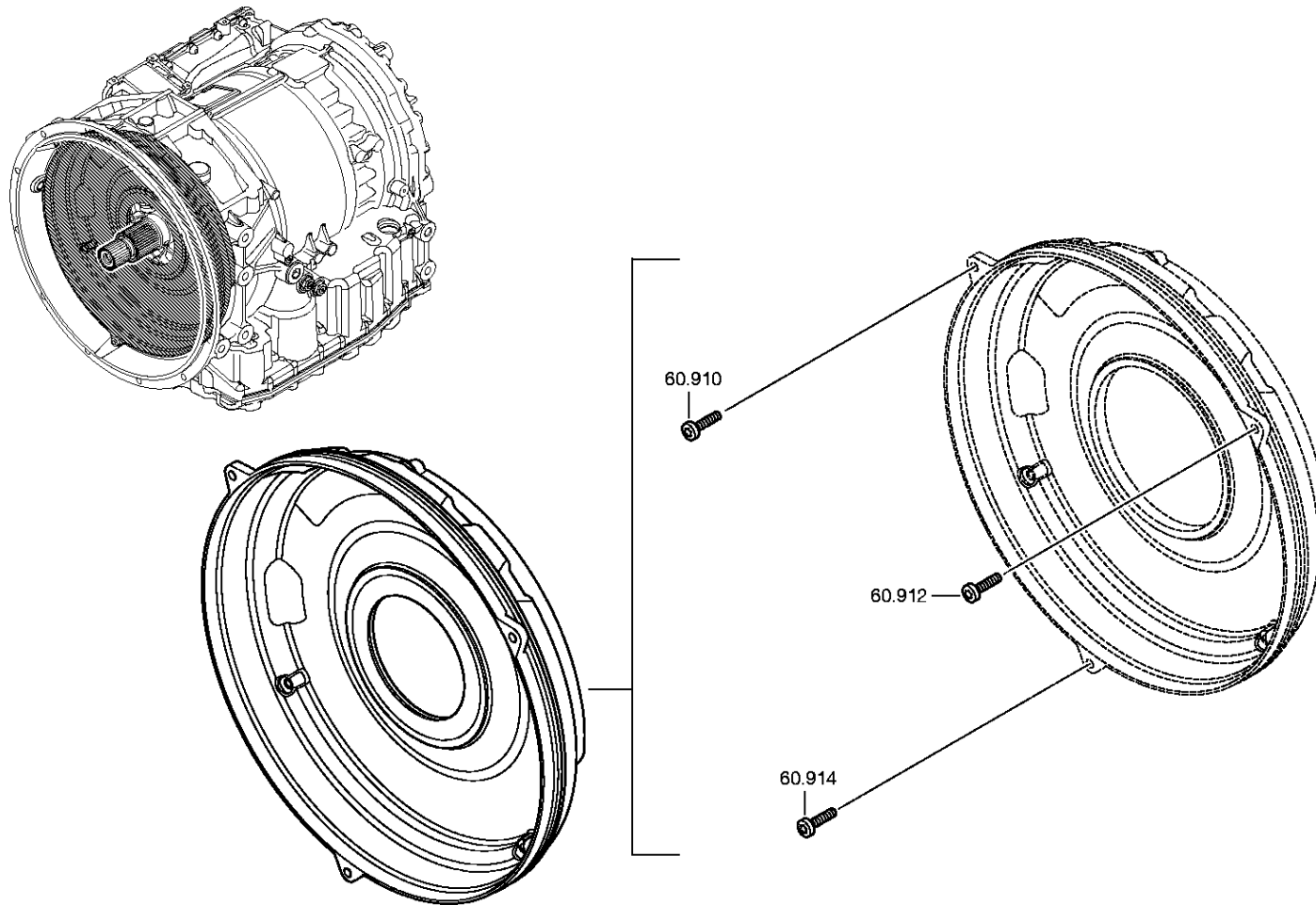
Material number: 4181.040.150

Plant: 130.60.80-1

COVER PLATE



6 AP 1400 B /  
COVER PLATE



# Plant

Page 1 from 3

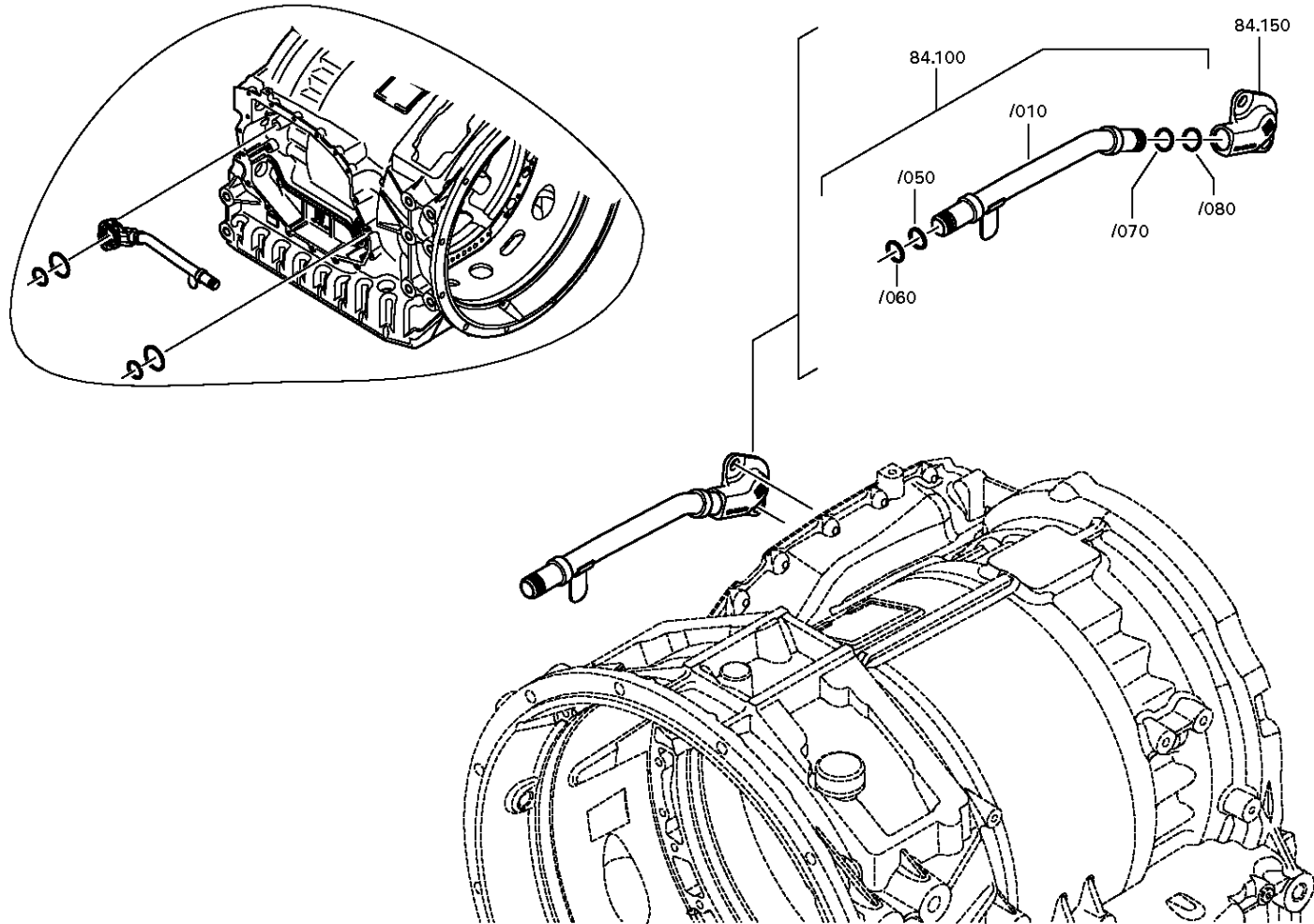
Material number: 4181.040.150

Plant: 130.68.02-1

OIL TUBE



6 AP 1400 B /  
OIL TUBE





# Plant

Page 2 from 3

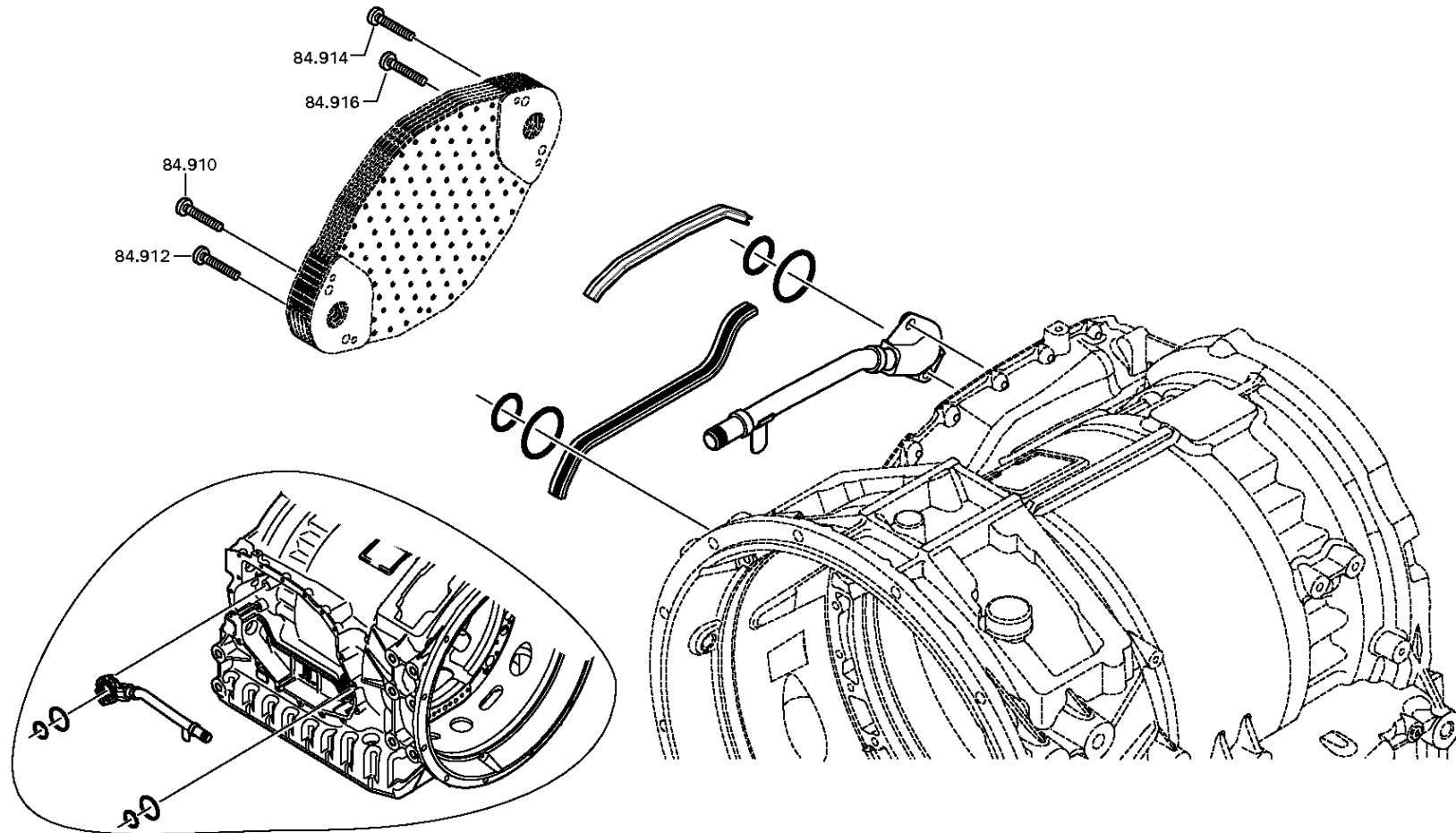
Material number: 4181.040.150

Plant: 130.68.81-1

OIL TUBE



6 AP 1400 B /  
OIL TUBE



# Plant

Page 3 from 3

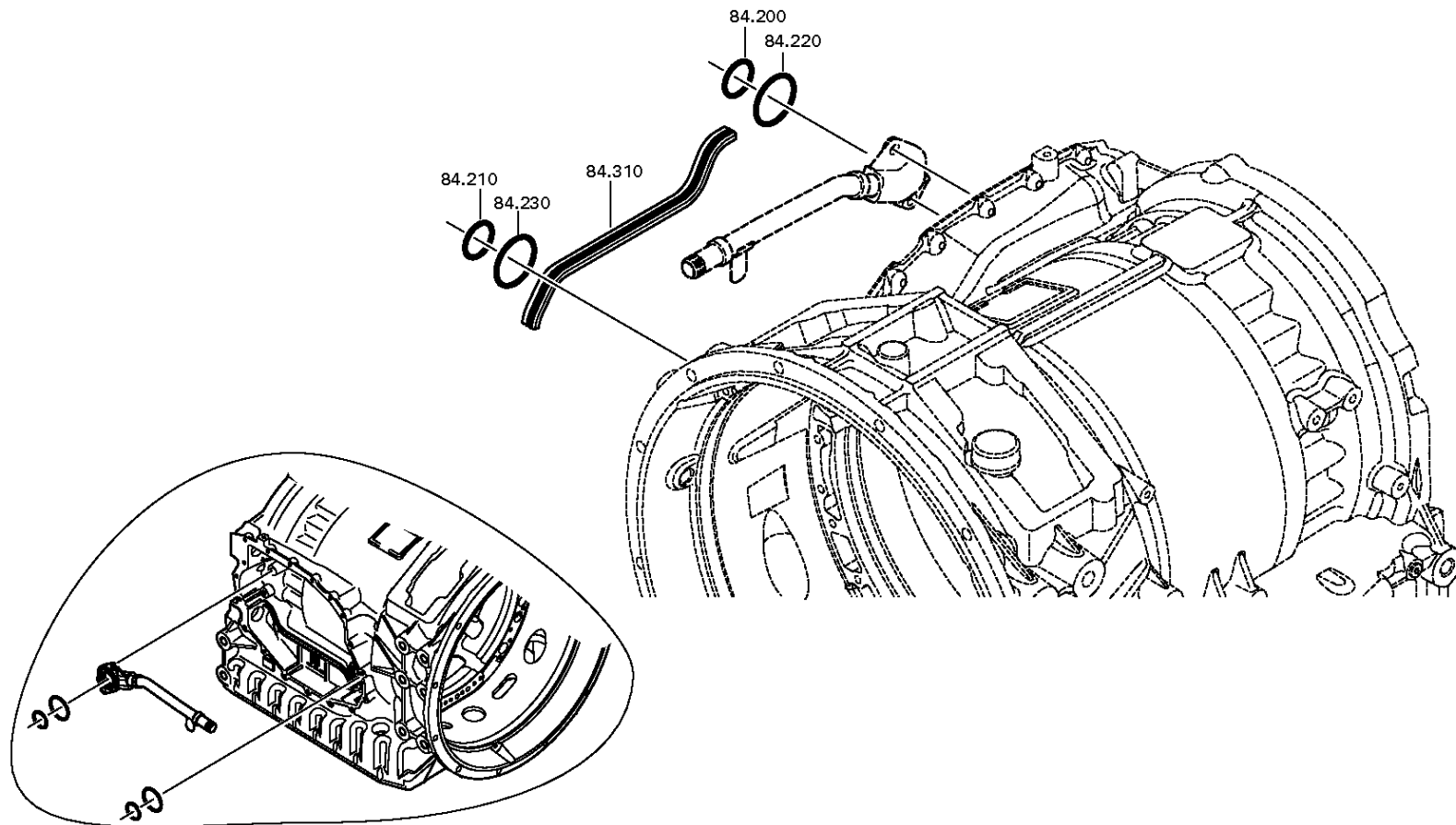
Material number: 4181.040.150

Plant: 130.68.82-1

OIL TUBE



6 AP 1400 B /  
OIL TUBE



# Plant

Page 1 from 4

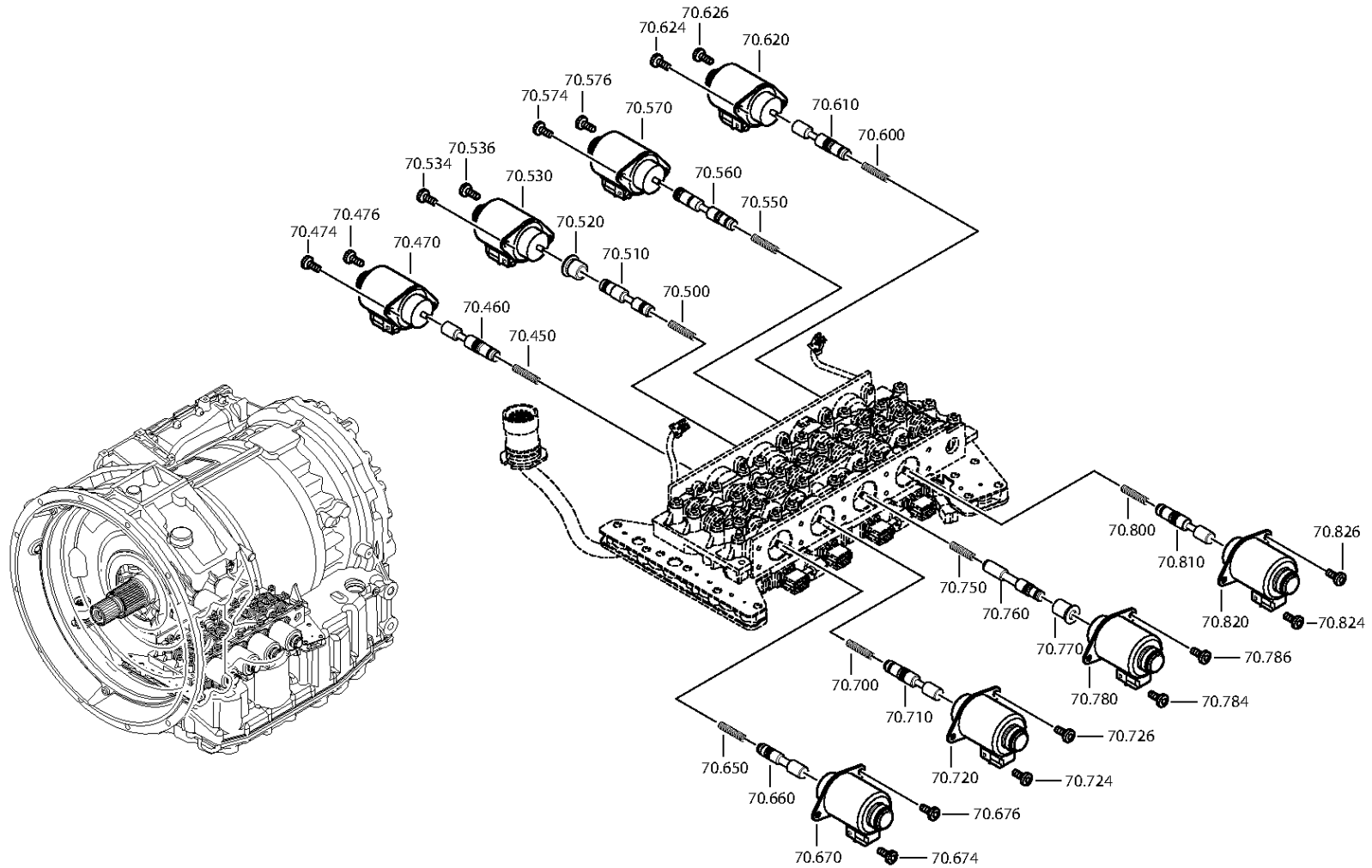
Material number: 4181.040.150

Plant: 130.70.01-1

SHIFT CONTROL



6 AP 1400 B /  
SHIFT CONTROL



# Plant

Page 2 from 4

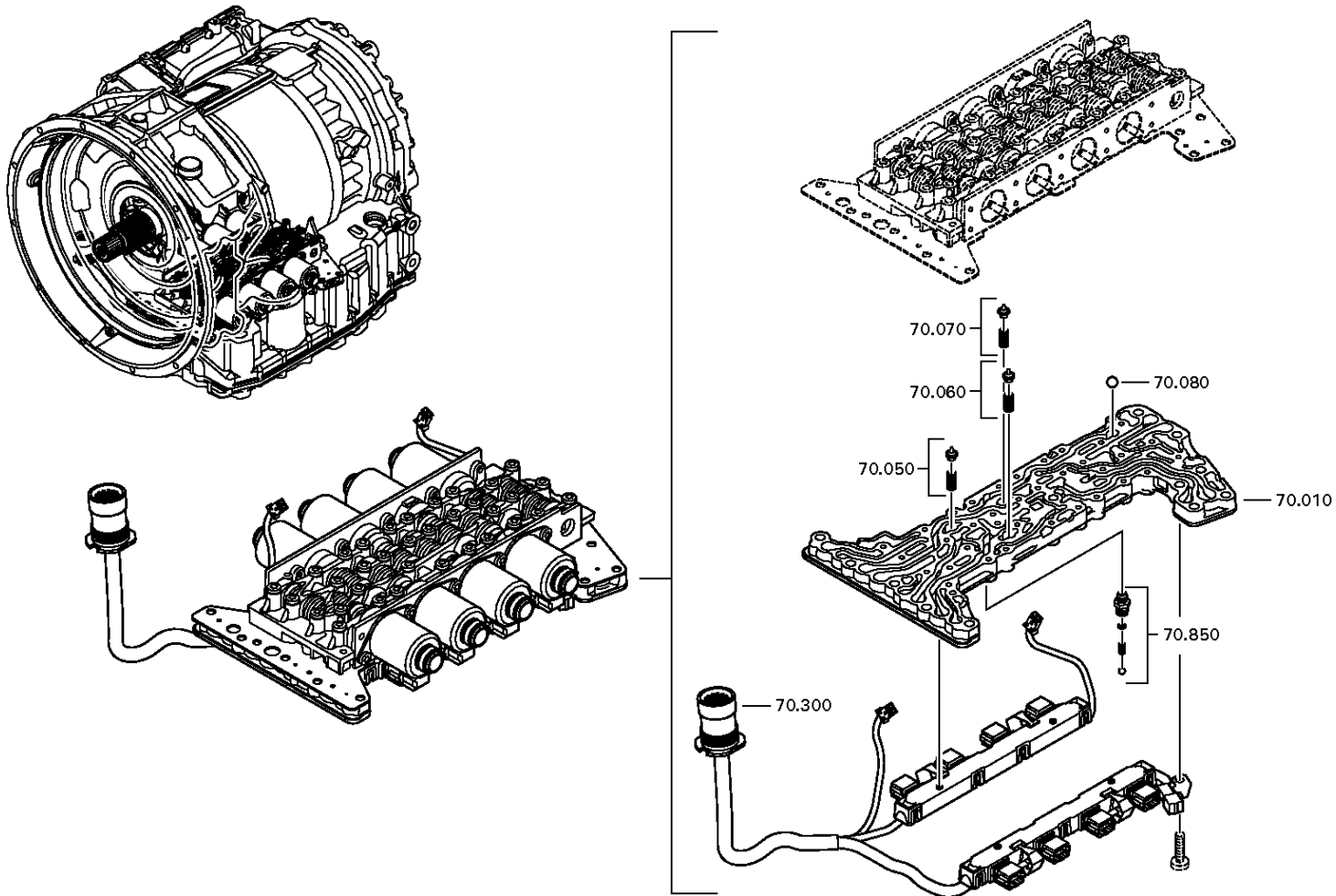
Material number: 4181.040.150

Plant: 130.70.01-2

SHIFT CONTROL



6 AP 1400 B /  
SHIFT CONTROL



# Plant

Page 3 from 4

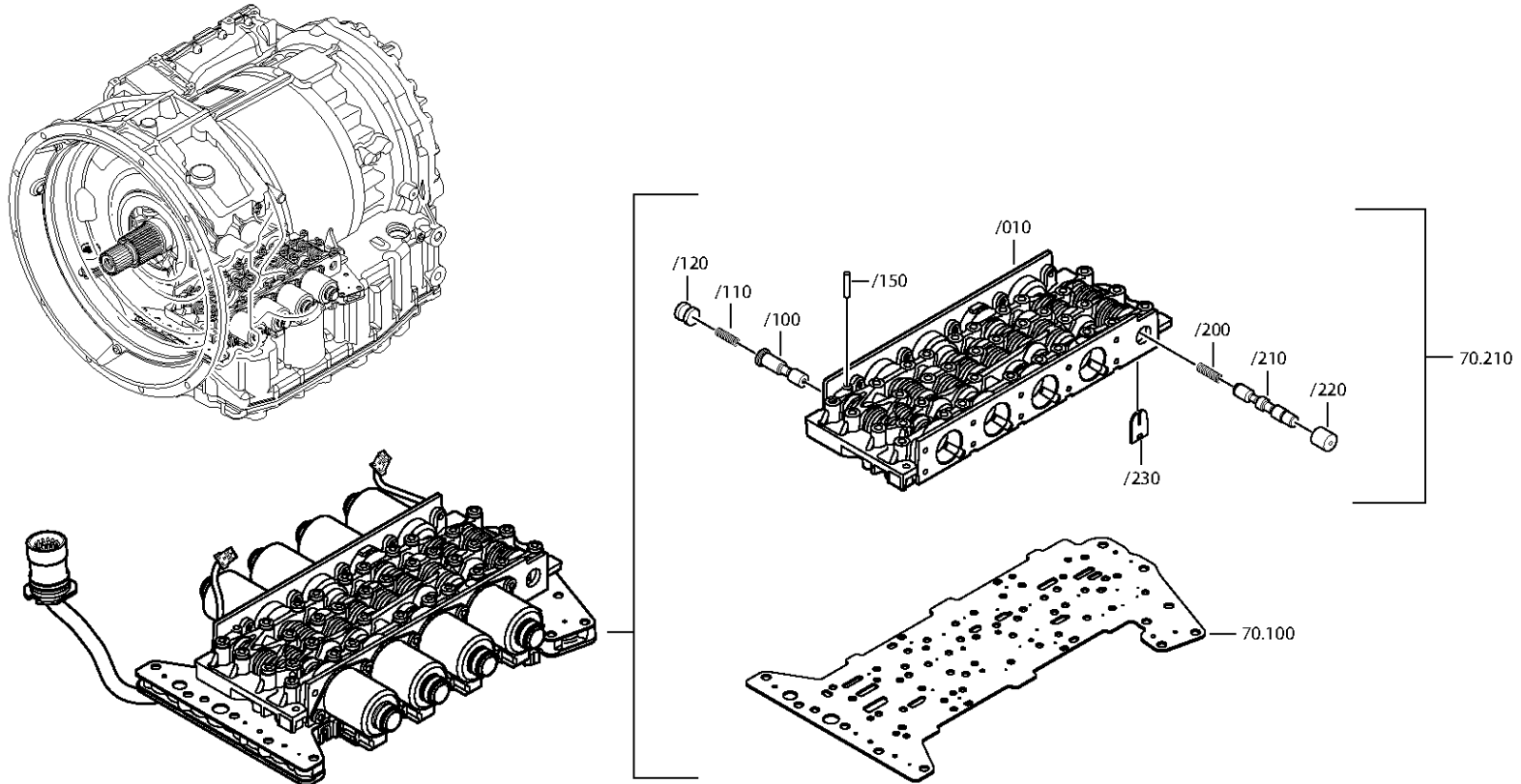
Material number: 4181.040.150

Plant: 130.70.01-3

SHIFT CONTROL



6 AP 1400 B /  
SHIFT CONTROL



# Plant

Page 4 from 4

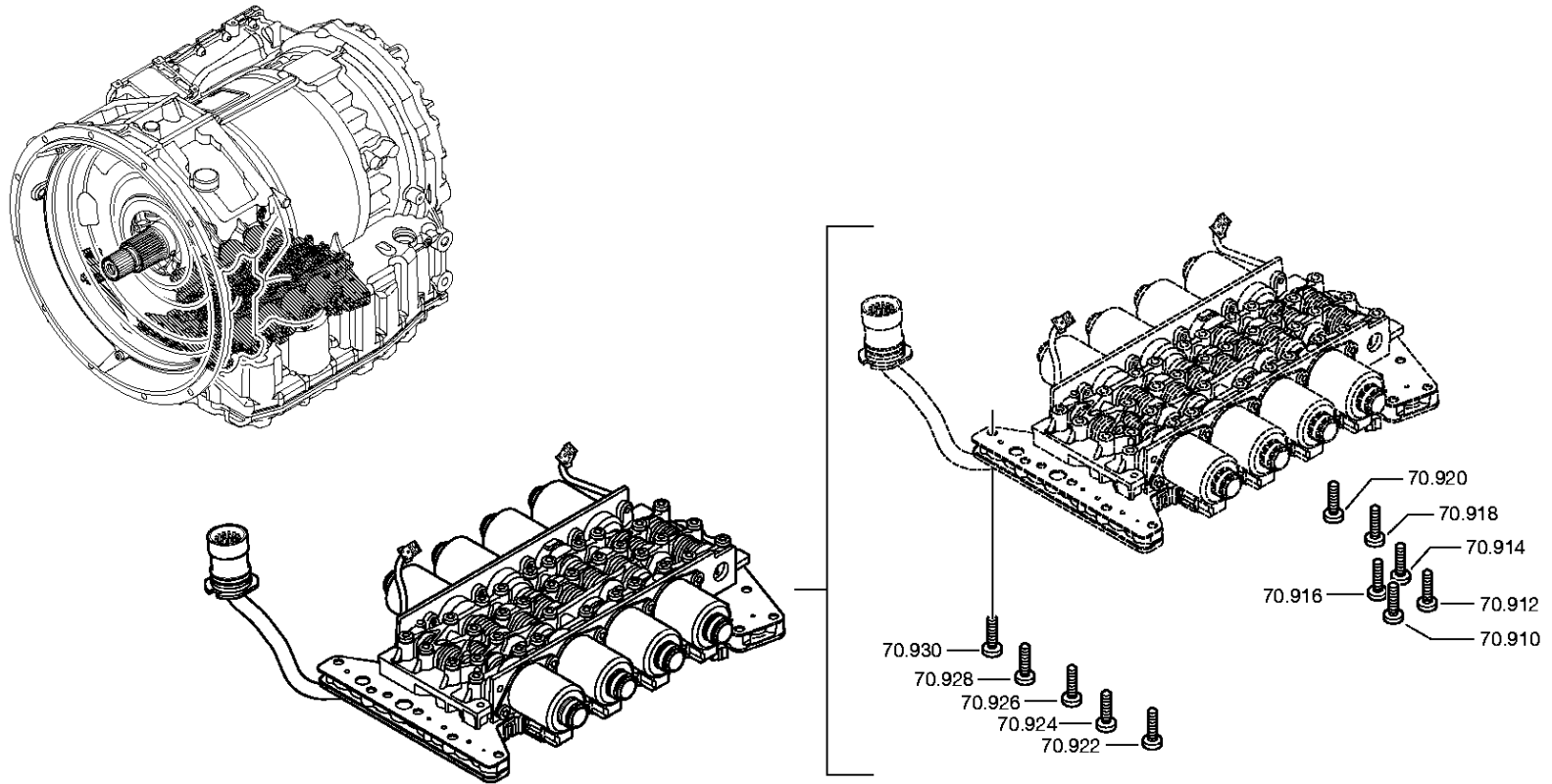
Material number: 4181.040.150

Plant: 130.70.81-1

SHIFT CONTROL



6 AP 1400 B /  
SHIFT CONTROL



# Plant

Page 1 from 1

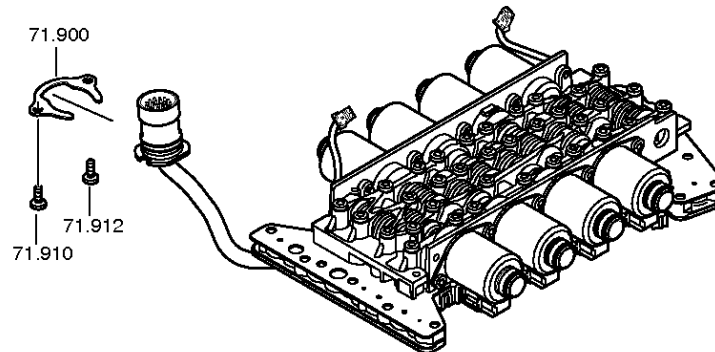
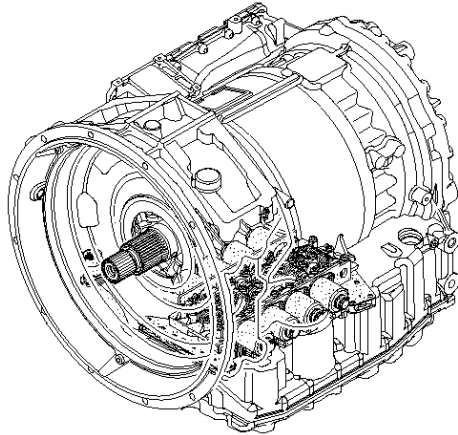
Material number: 4181.040.150

Plant: 130.71.81-1

Material-assembly-group-no: 4181.170.850



6 AP 1400 B /  
WIRING HARNESS







# Plant

Page 1 from 1

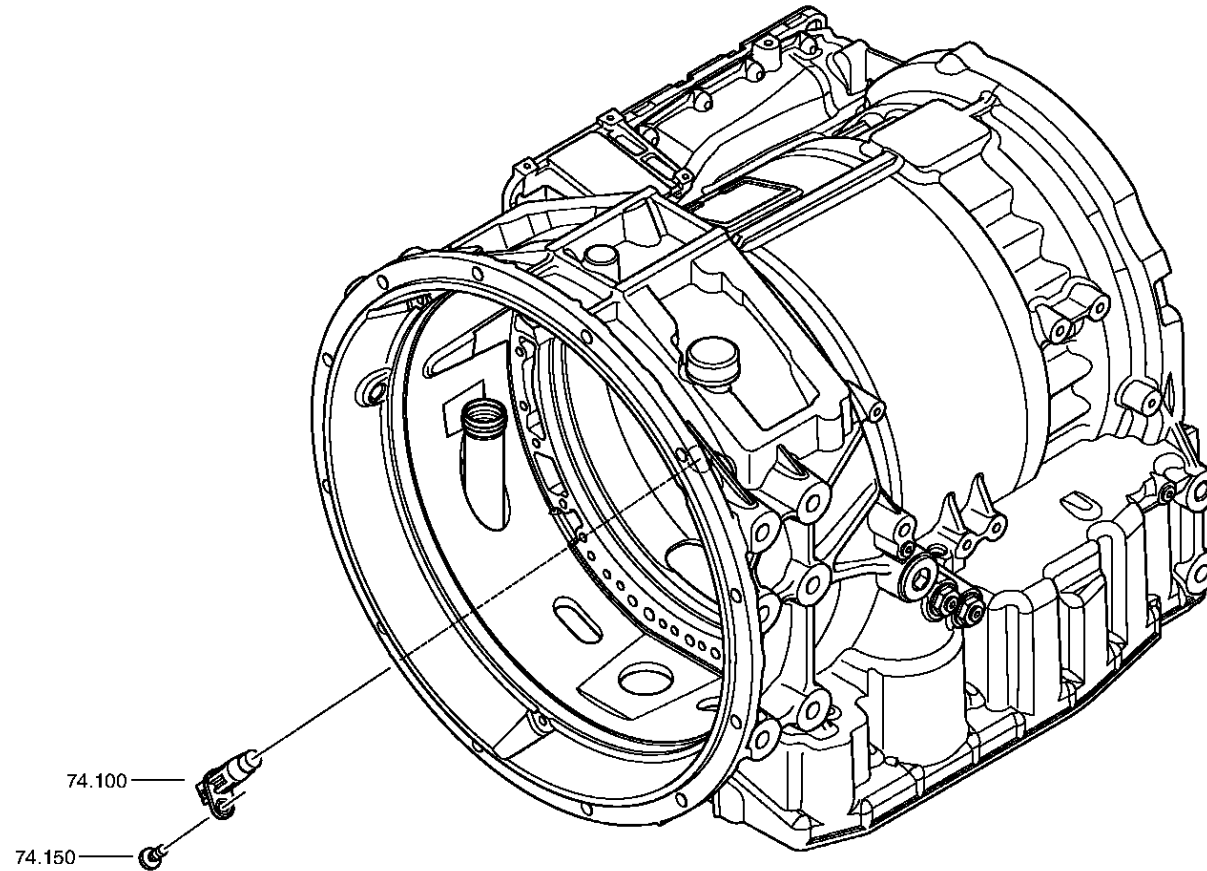
Material number: 4181.040.150

Plant: 130.74.02-1

Material-assembly-group-no: 4181.174.004



6 AP 1400 B /  
POSITION SENSOR



# Plant

Page 1 from 2

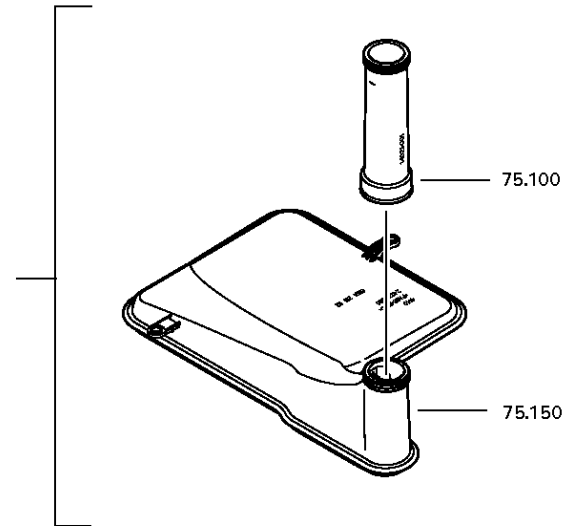
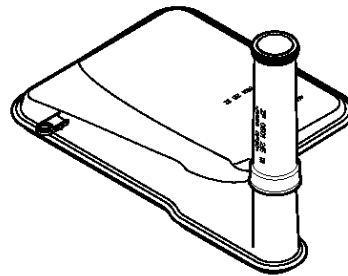
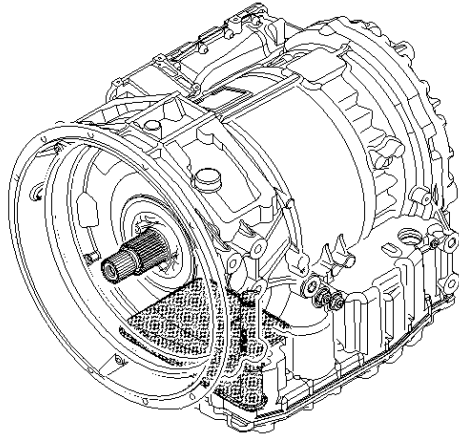
Material number: 4181.040.150

Plant: 130.75.01-1

SUCTION FILTER



6 AP 1400 B /  
SUCTION FILTER



# Plant

Page 2 from 2

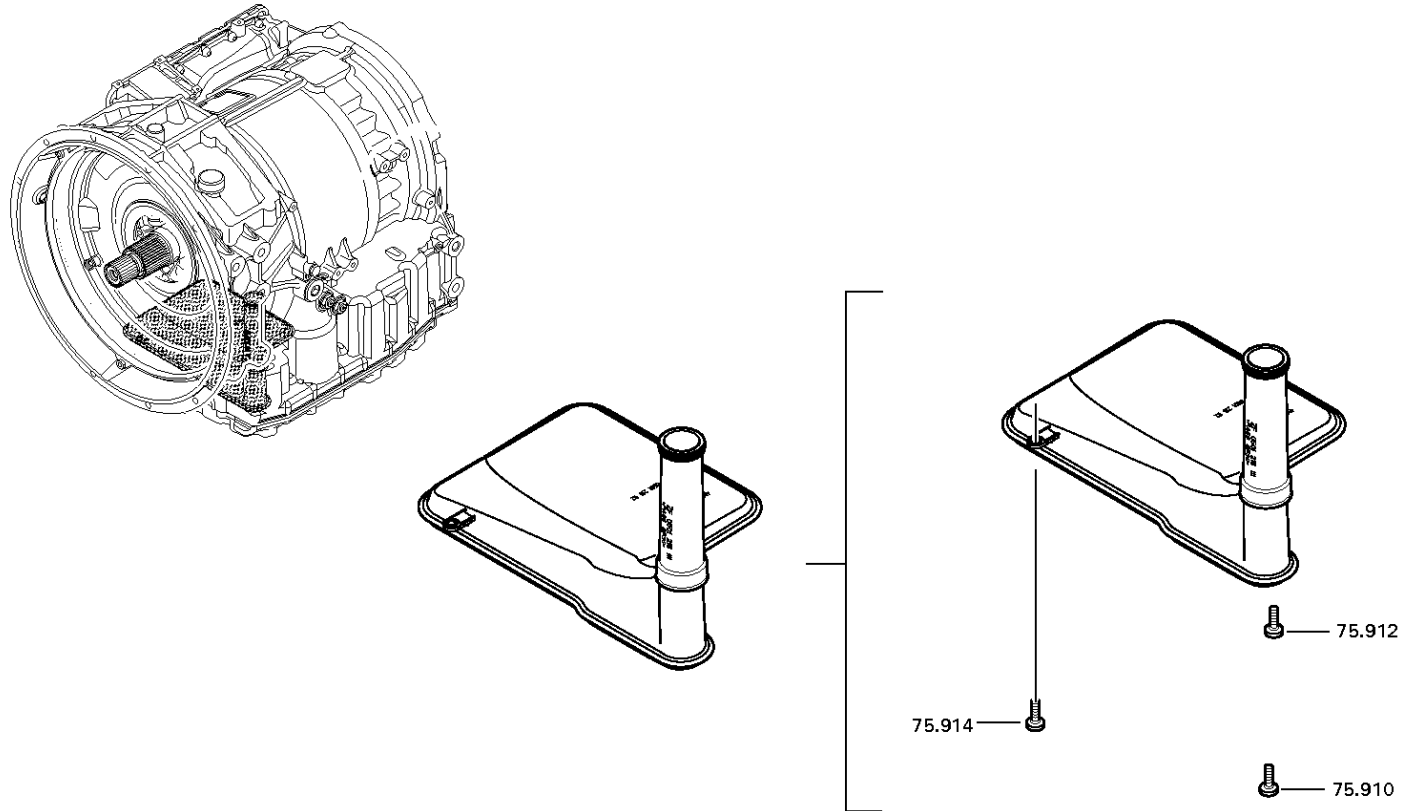
Material number: 4181.040.150

Plant: 130.75.80-1

SUCTION FILTER



6 AP 1400 B /  
SUCTION FILTER



# Plant

Page 1 from 1

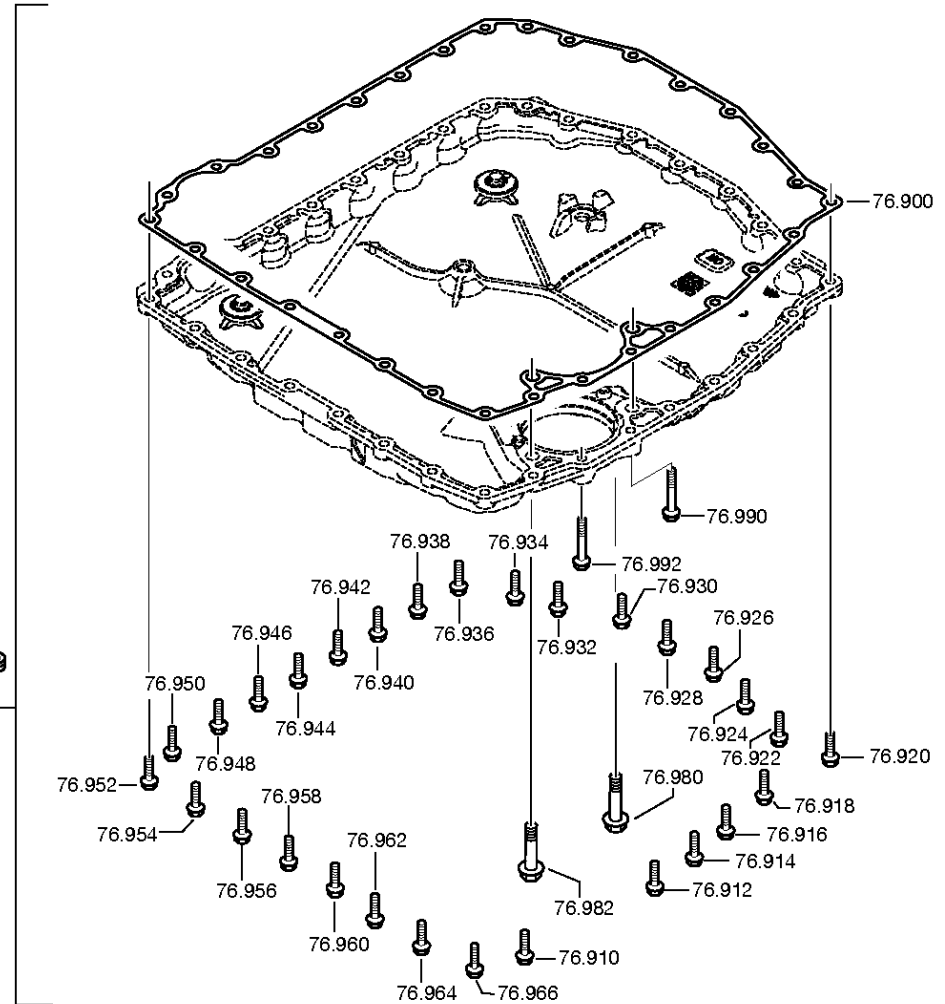
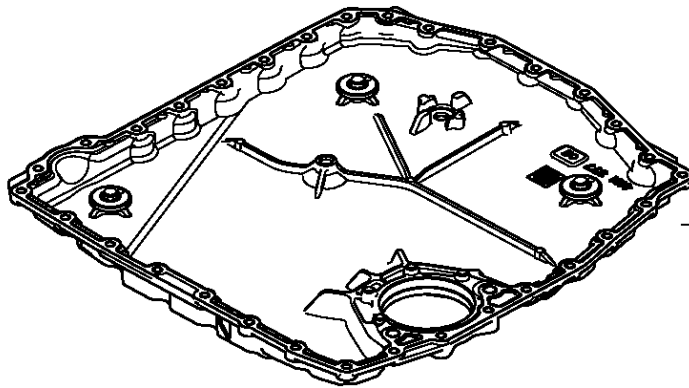
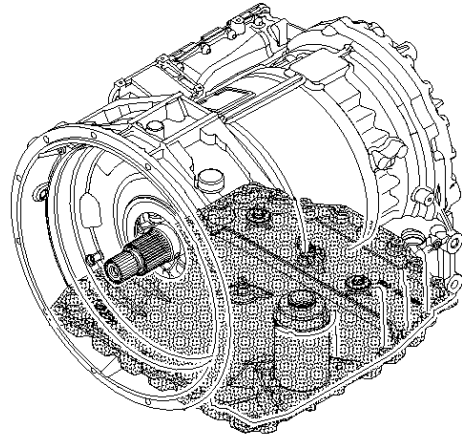
Material number: 4181.040.150

Plant: 130.76.81-1

Material-assembly-group-no: 4181.176.850



6 AP 1400 B /  
OIL PAN



# Plant

Page 1 from 2

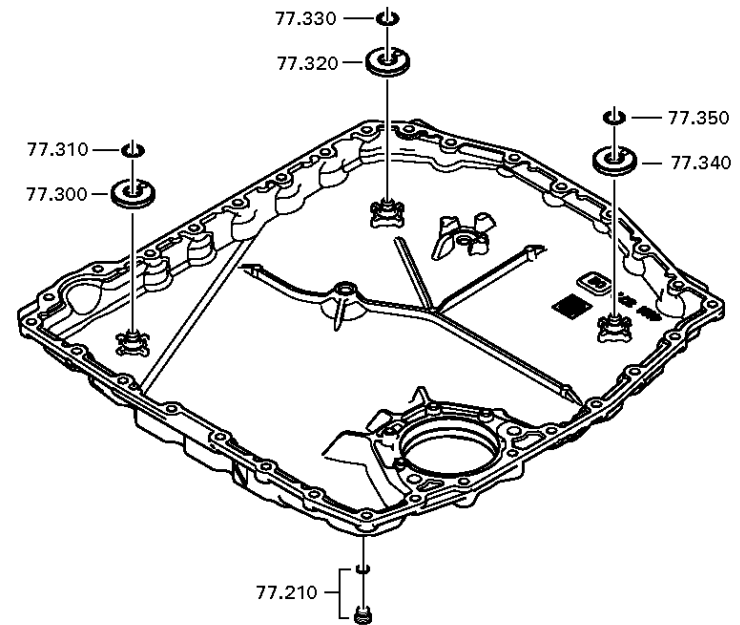
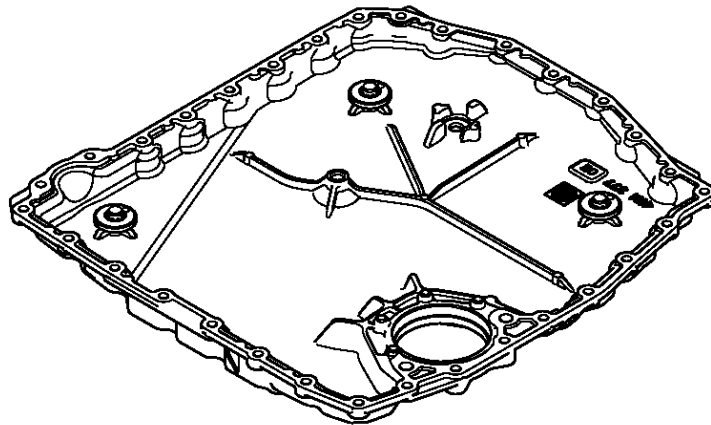
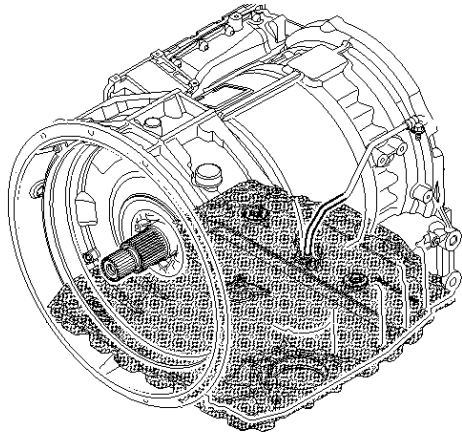
Material number: 4181.040.150

Plant: 130.77.02-1

Material-assembly-group-no: 4181.177.050



6 AP 1400 B /  
OIL PAN



# Plant

Page 2 from 2

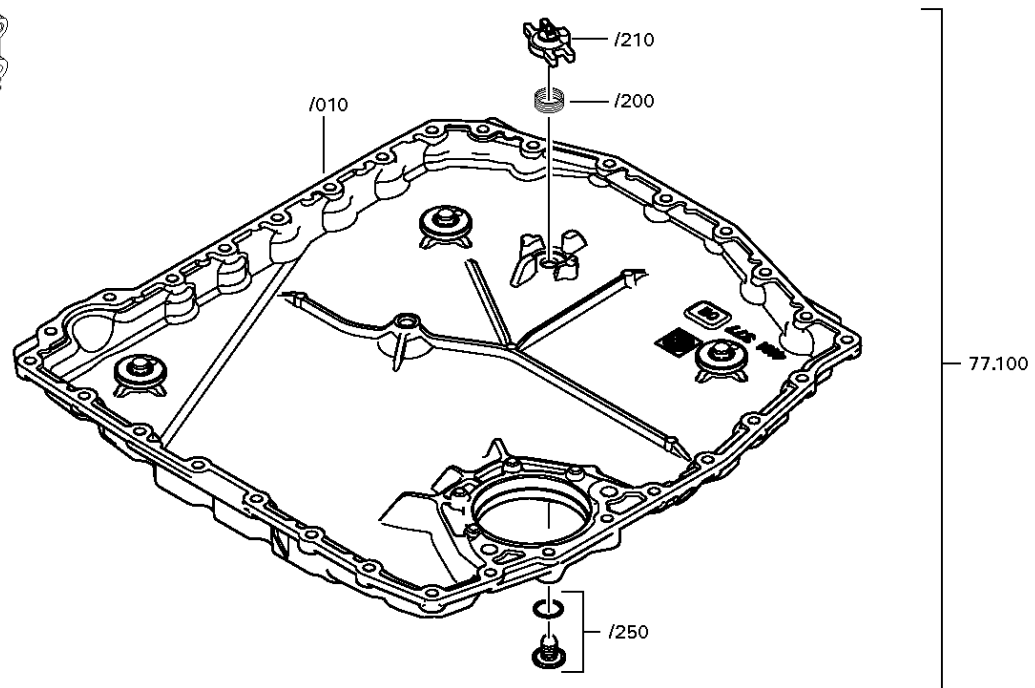
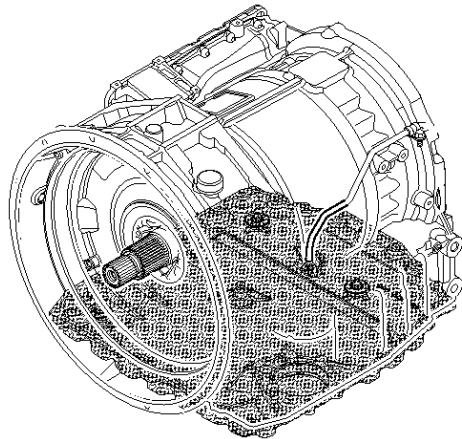
Material number: 4181.040.150

Plant: 130.77.02-2

Material-assembly-group-no: 4181.177.050



6 AP 1400 B /  
OIL PAN



# Plant

Page 1 from 2

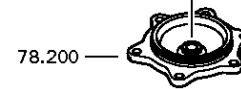
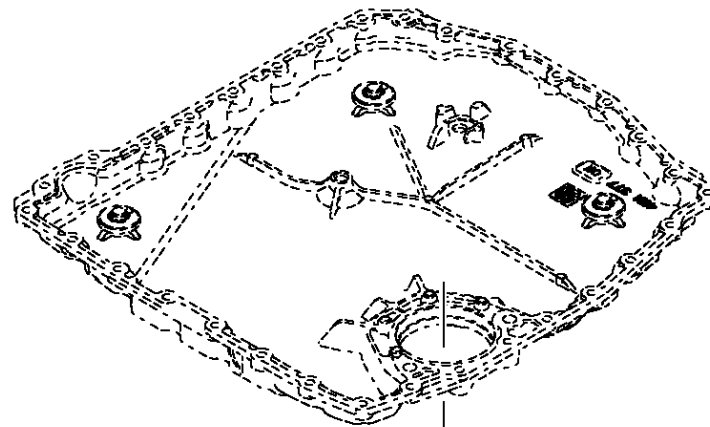
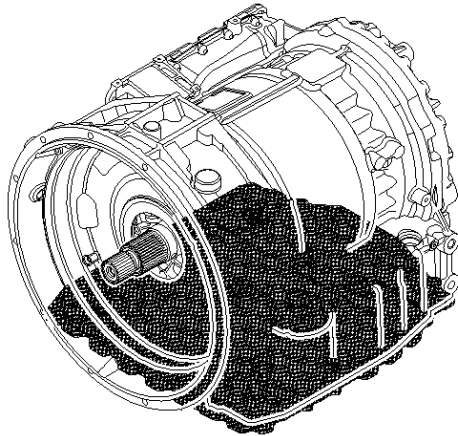
Material number: 4181.040.150

Plant: 130.78.03-1

FILTER COVER



6 AP 1400 B /  
FILTER COVER



# Plant

Page 2 from 2

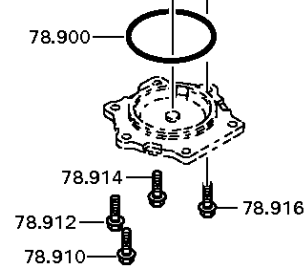
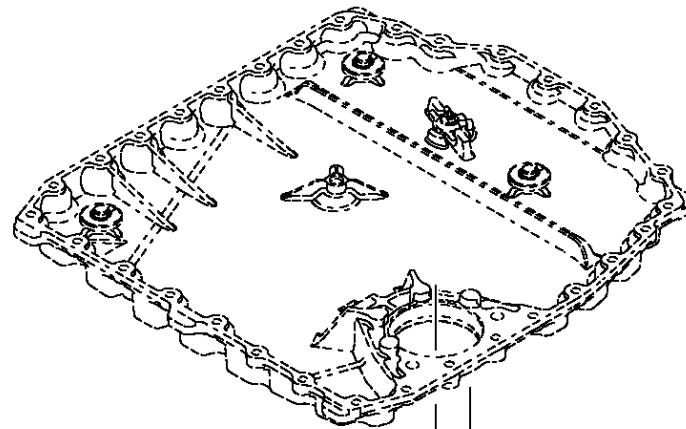
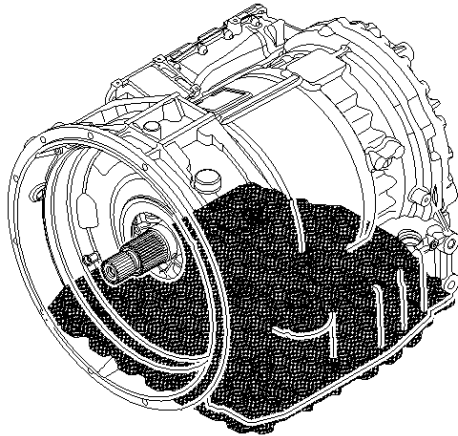
Material number: 4181.040.150

Plant: 130.78.80-1

FILTER COVER



6 AP 1400 B /  
FILTER COVER





# Plant

Page 1 from 1

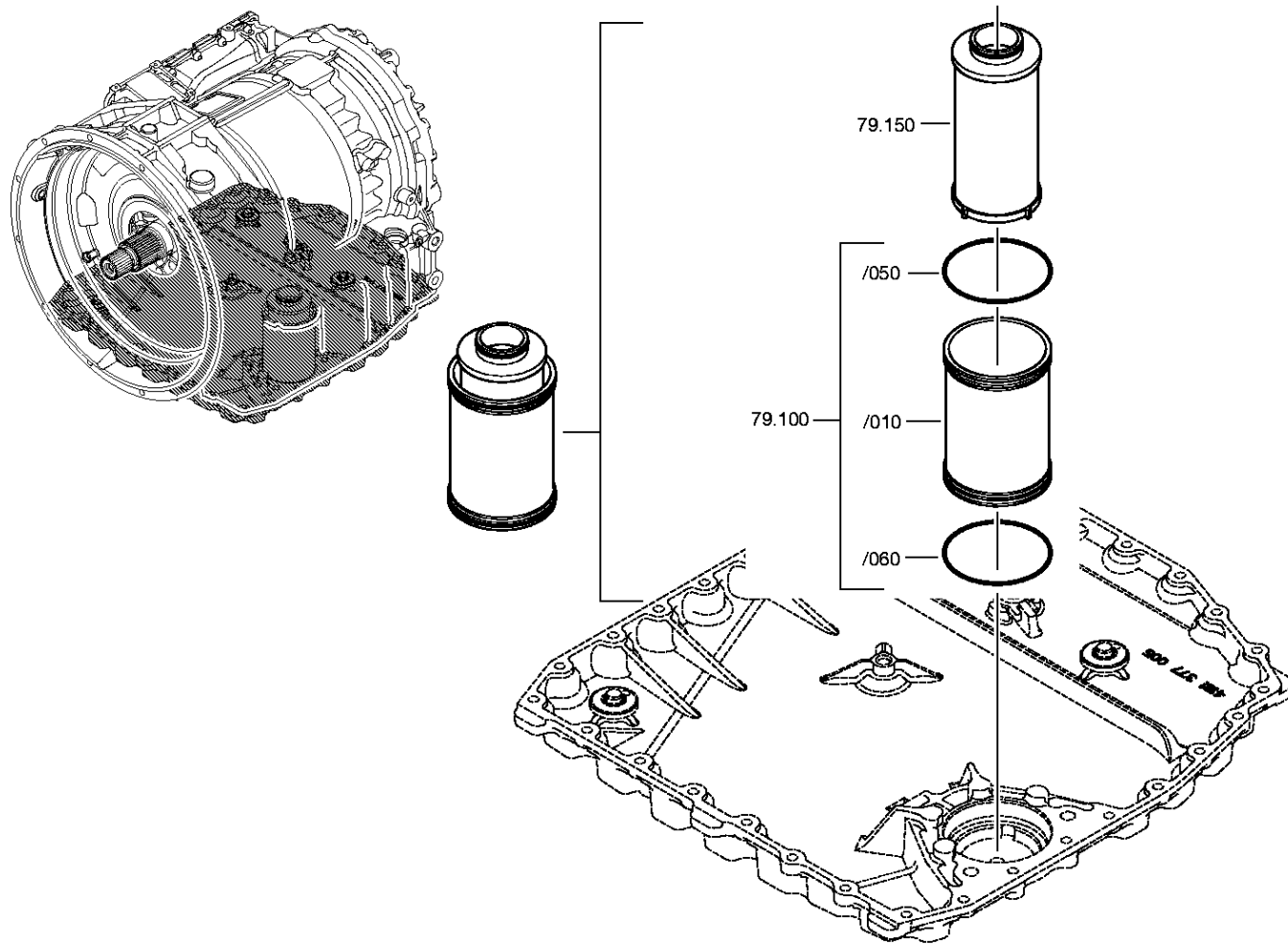
Material number: 4181.040.150

Plant: 130.79.01-1

Material-assembly-group-no: 4181.179.003



6 AP 1400 B /  
PRESSURE FILTER



# Plant

Page 1 from 1

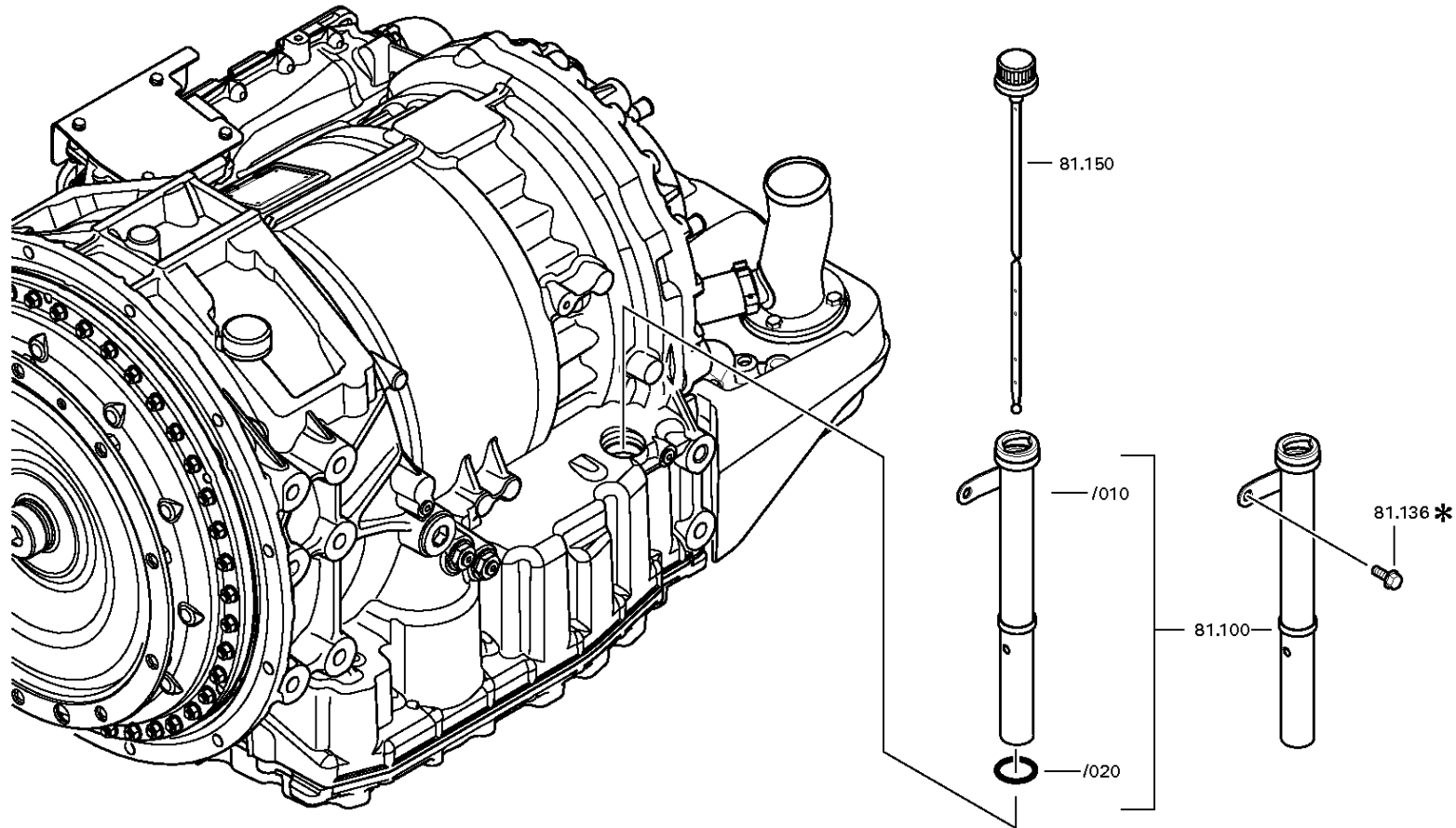
Material number: 4181.040.150

Plant: 130.81.18-1

DIPSTICK PARTS



6 AP 1400 B /  
DIPSTICK PARTS



# Plant

Page 1 from 3

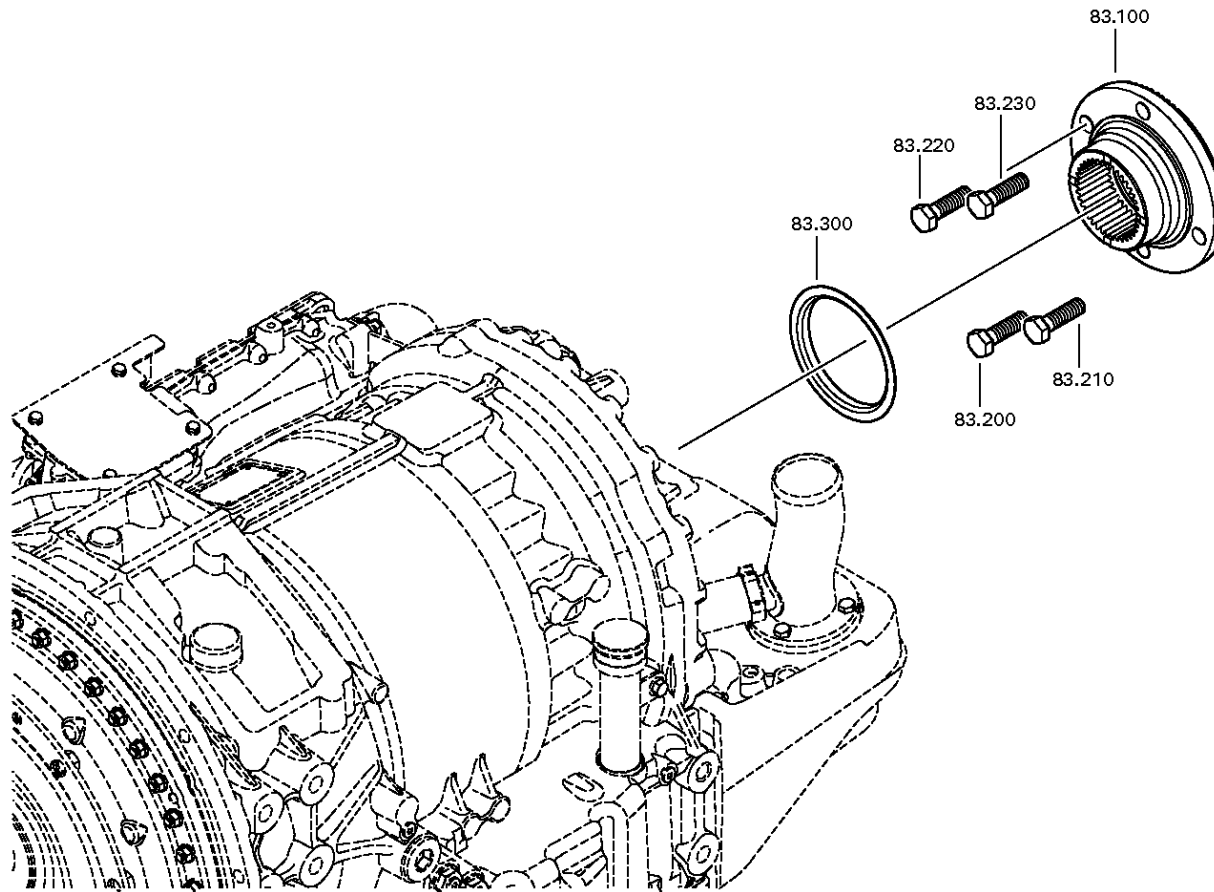
Material number: 4181.040.150

Plant: 130.83.01-1

OUTPUT FLANGE



6 AP 1400 B /  
OUTPUT FLANGE



# Plant

Page 2 from 3

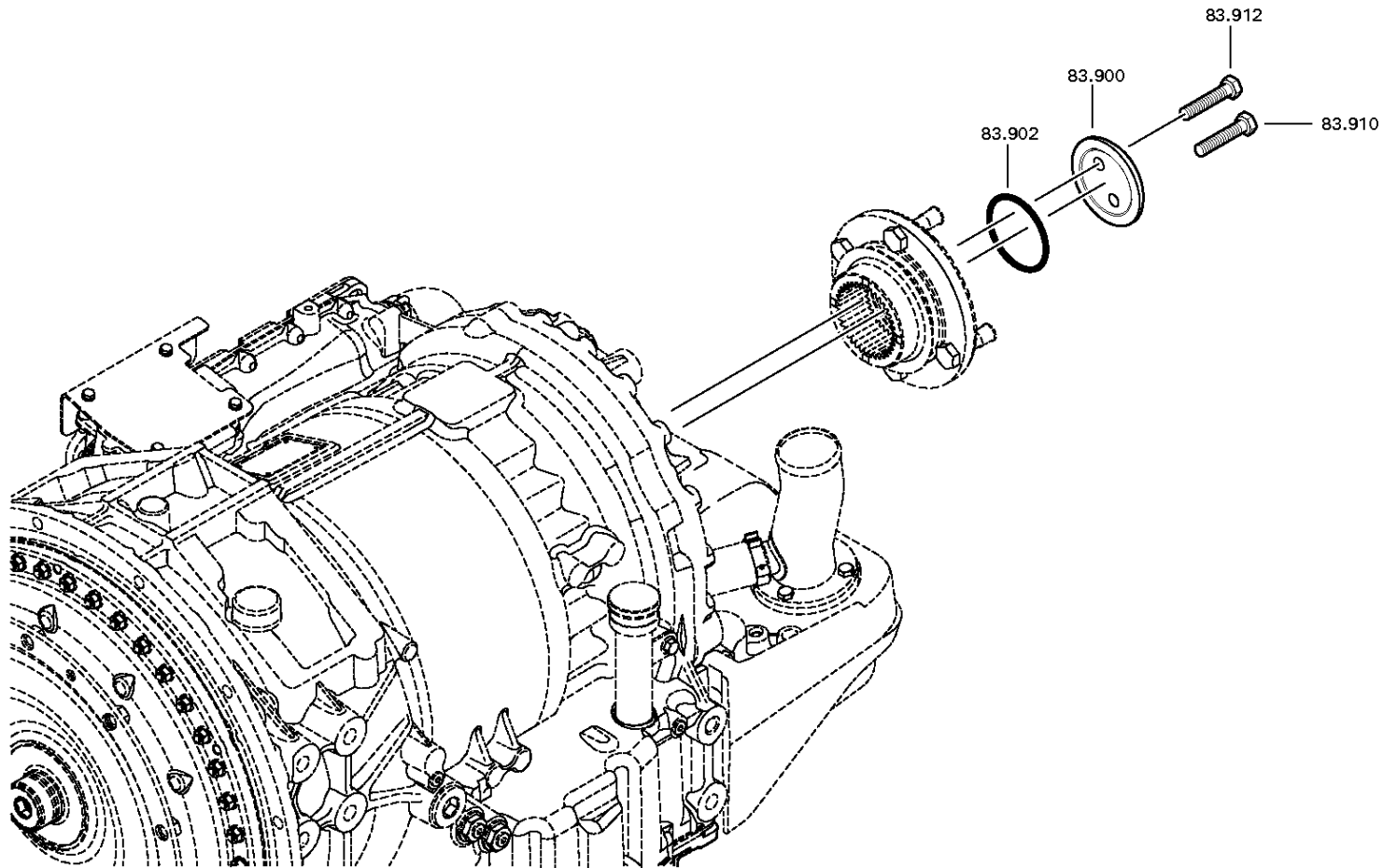
Material number: 4181.040.150

Plant: 130.83.50-1

OUTPUT FLANGE



6 AP 1400 B /  
OUTPUT FLANGE



# Plant

Page 3 from 3

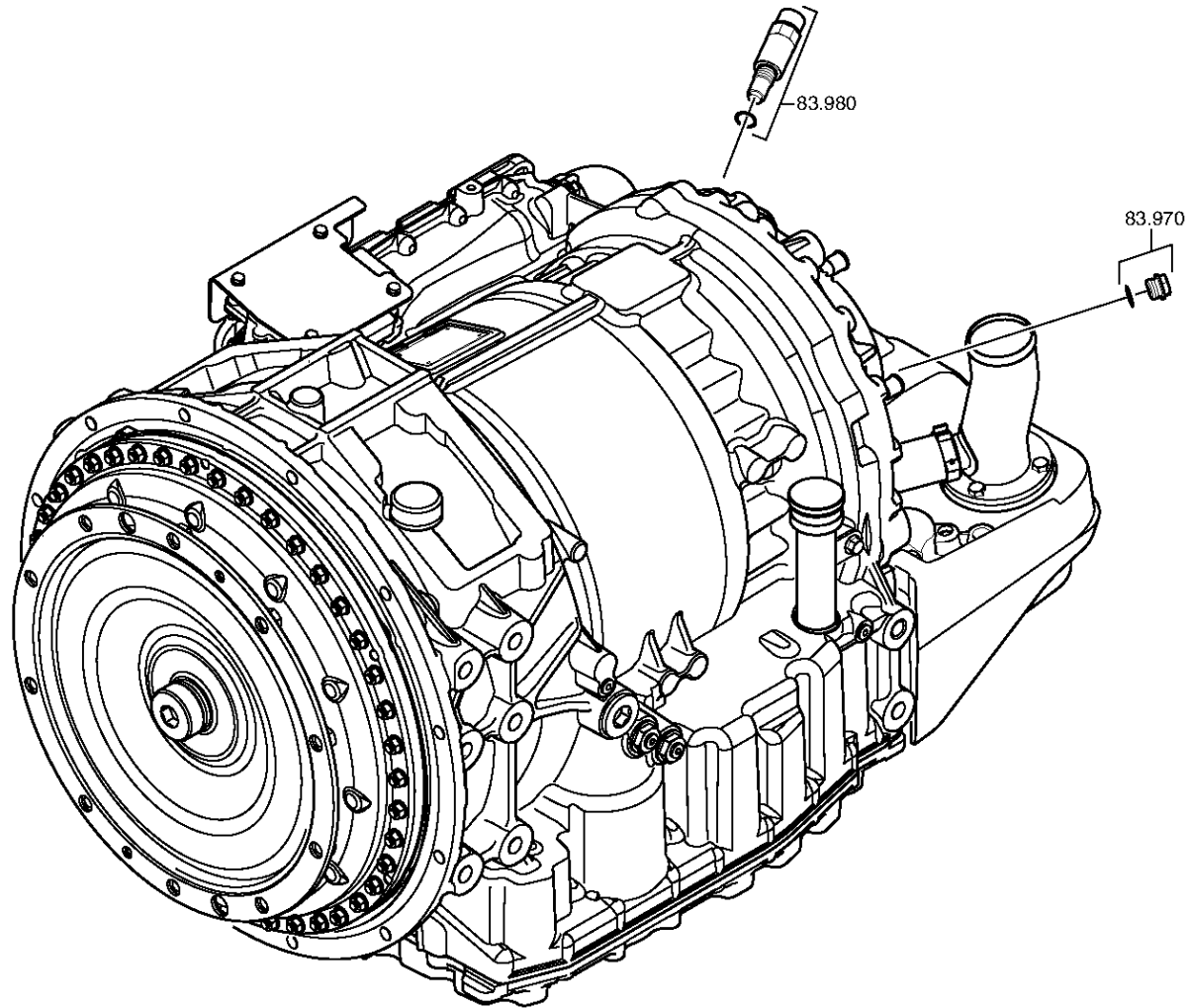
Material number: 4181.040.150

Plant: 130.83.80-1

OUTPUT FLANGE



6 AP 1400 B /  
OUTPUT FLANGE



# Plant

Page 1 from 2

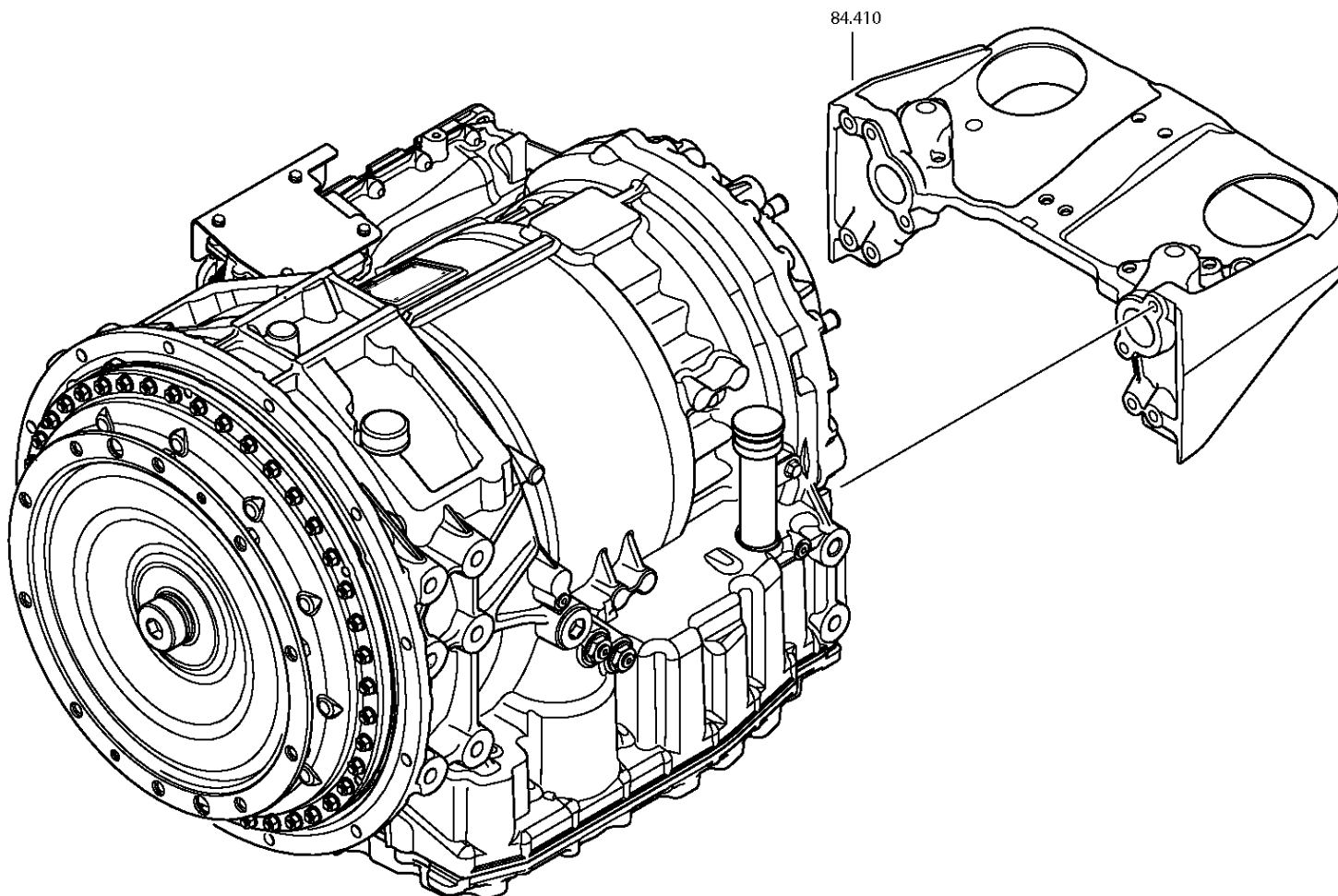
Material number: 4181.040.150

Plant: 130.84.05-1

BRACKET



6 AP 1400 B /  
BRACKET



# Plant

Page 2 from 2

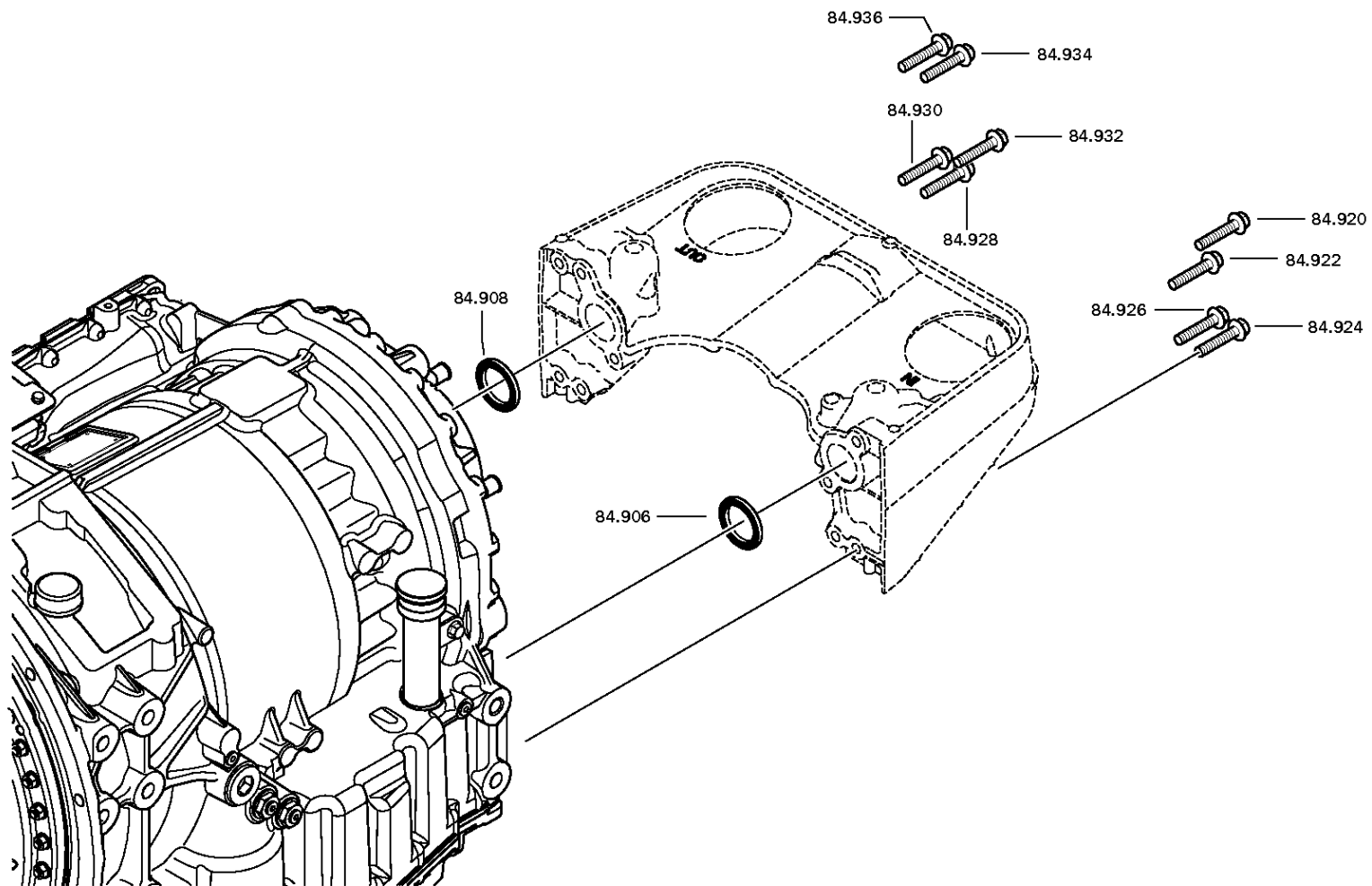
Material number: 4181.040.150

Plant: 130.84.84-1

BRACKET



6 AP 1400 B /  
BRACKET



# Plant

Page 1 from 2

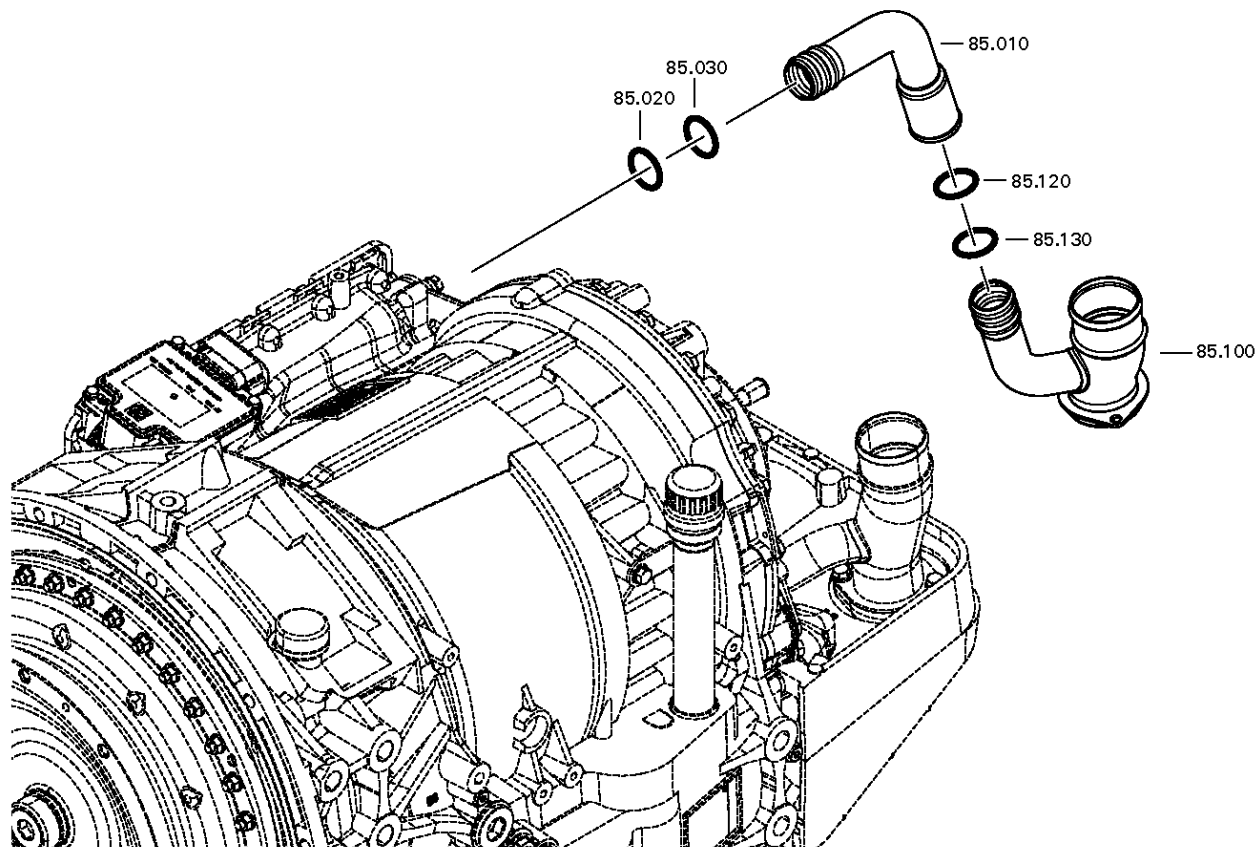
Material number: 4181.040.150

Plant: 130.85.04-1

TUBE



6 AP 1400 B /  
TUBE





# Plant

Page 2 from 2

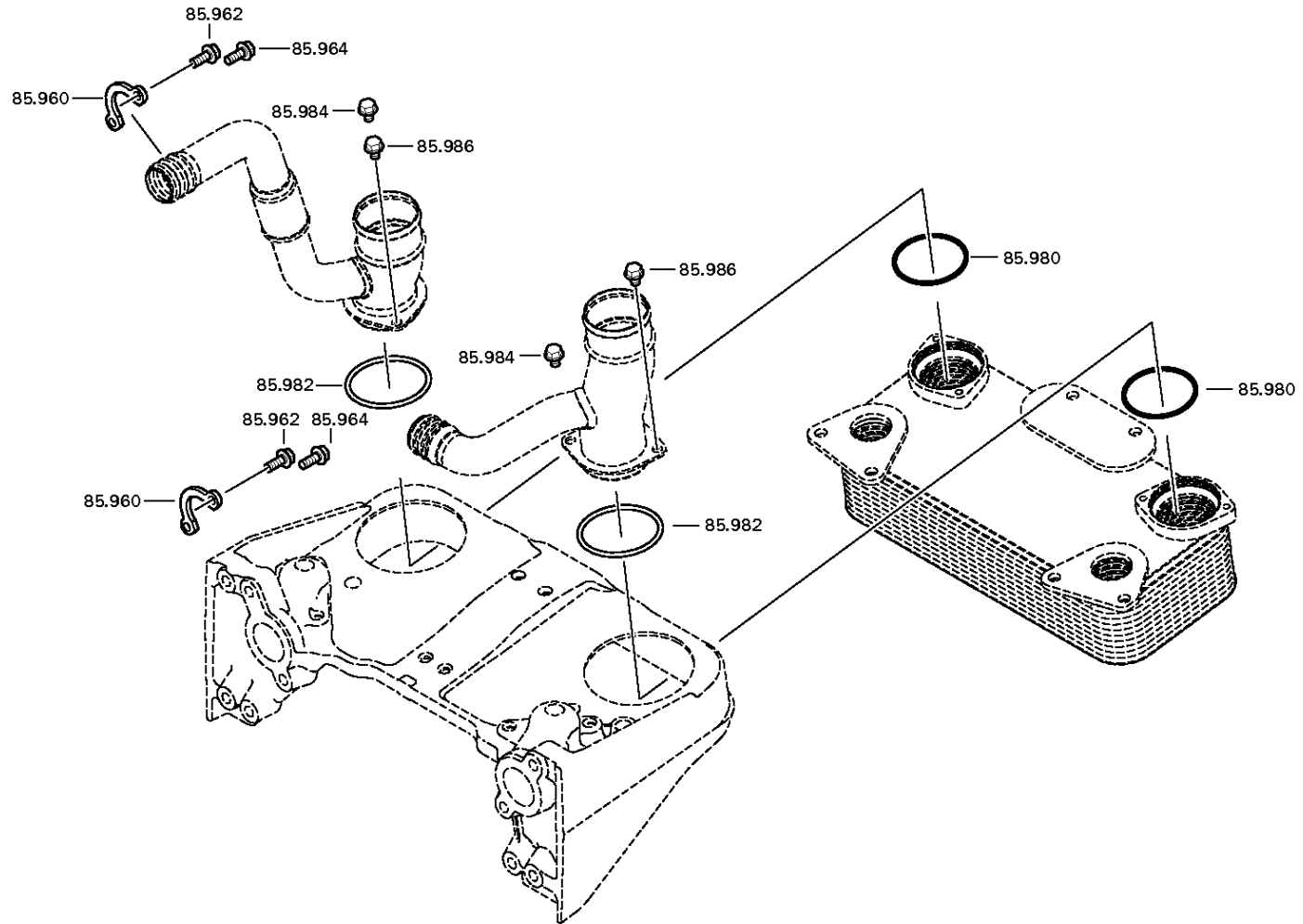
Material number: 4181.040.150

Plant: 130.85.81-1

TUBE



6 AP 1400 B /  
TUBE



# Plant

Page 1 from 2

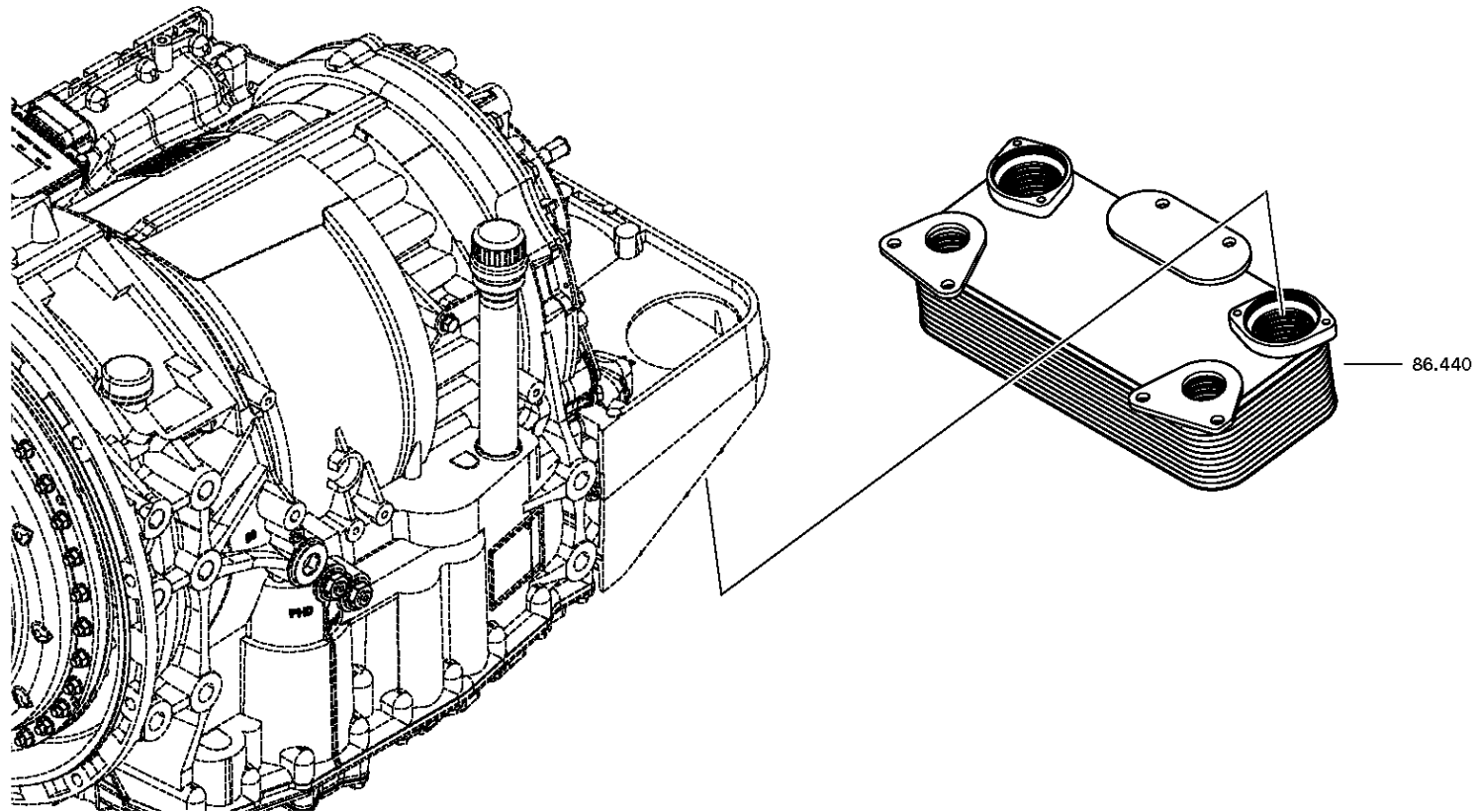
Material number: 4181.040.150

Plant: 130.86.02-1

HEAT EXCHANGER



6 AP 1400 B /  
HEAT EXCHANGER



# Plant

Page 2 from 2

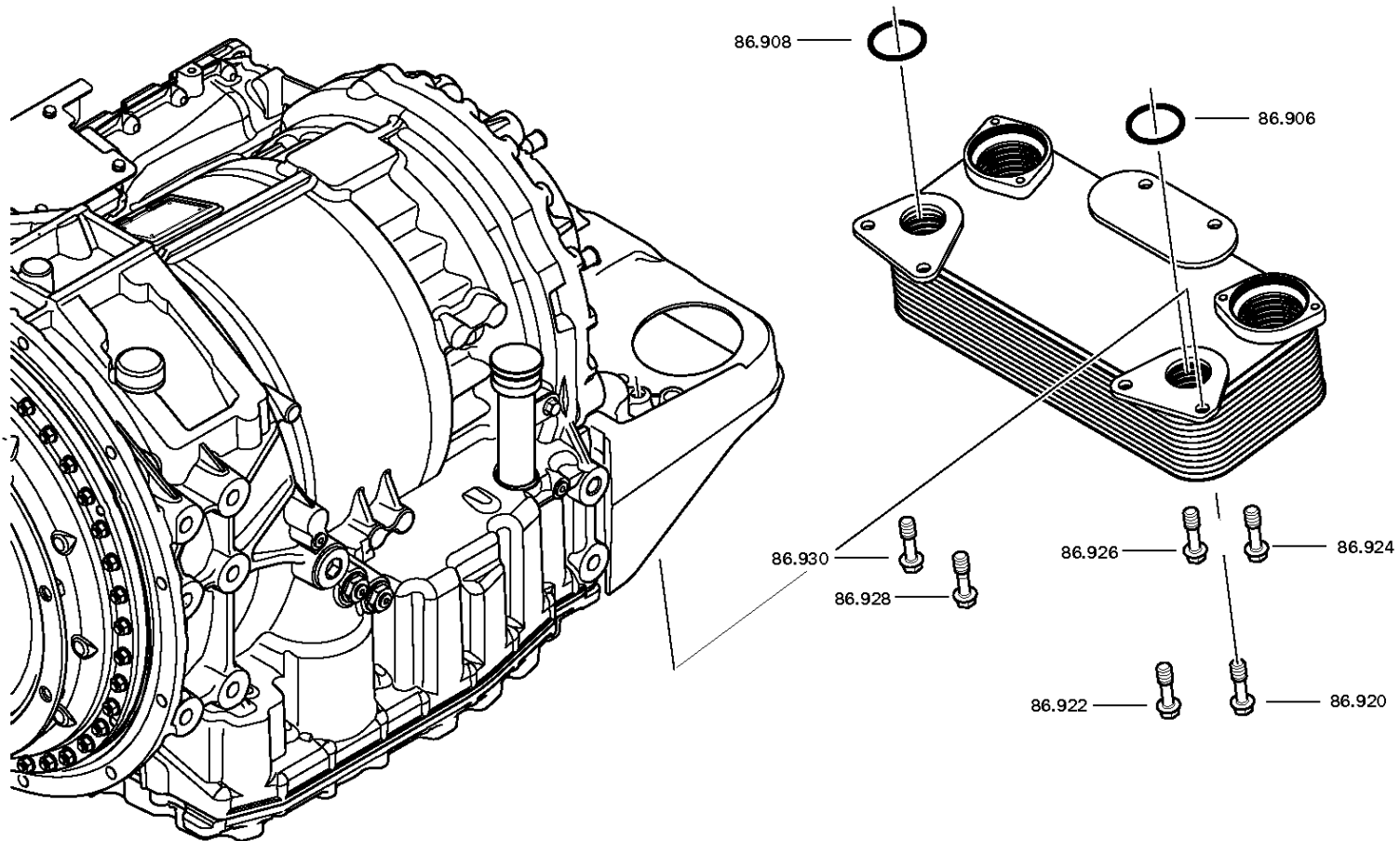
Material number: 4181.040.150

Plant: 130.86.81-1

HEAT EXCHANGER



6 AP 1400 B /  
HEAT EXCHANGER



# Plant

Page 1 from 1

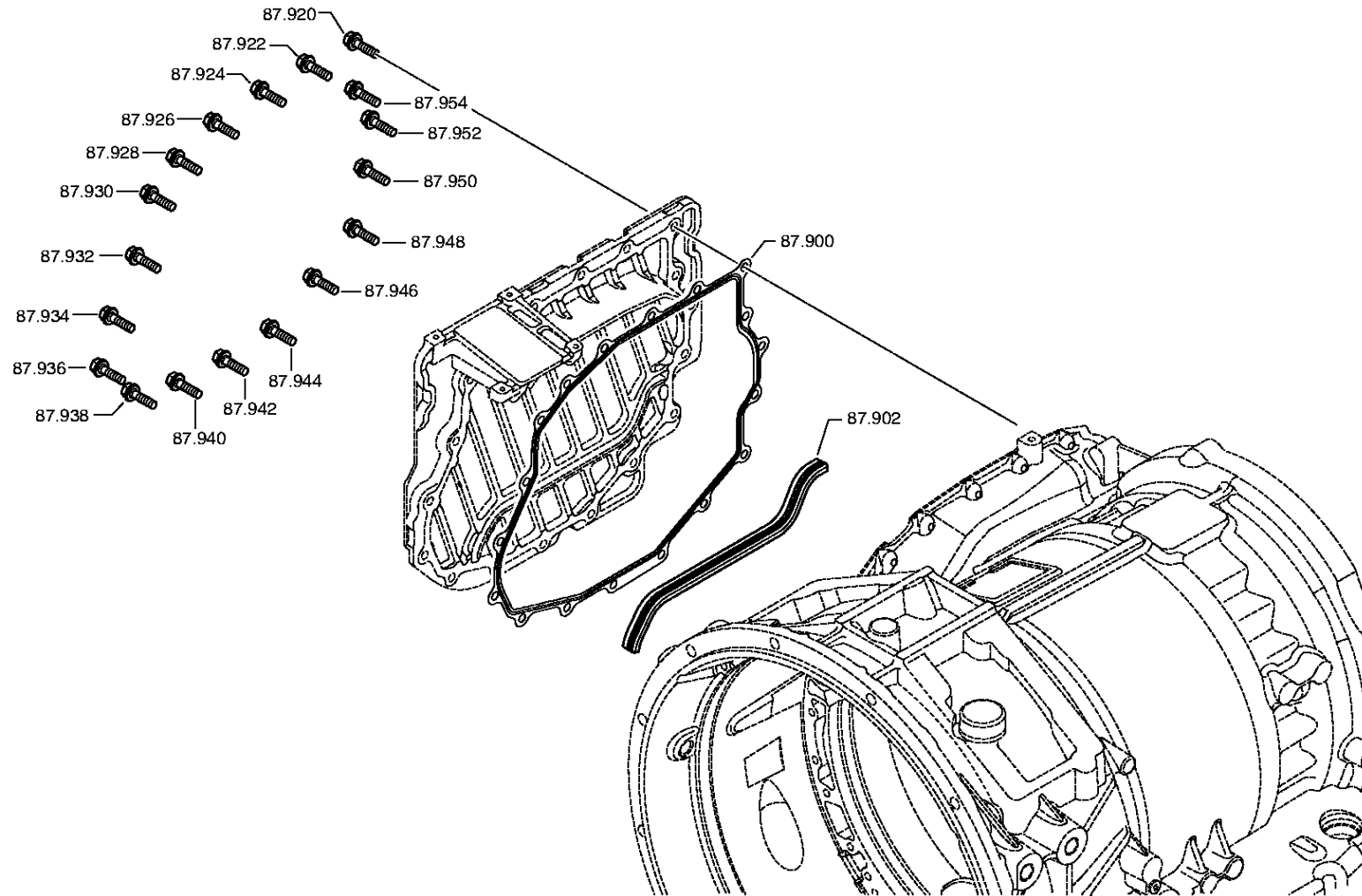
Material number: 4181.040.150

Plant: 130.87.80-1

Material-assembly-group-no: 4181.184.822



6 AP 1400 B /  
COVER



# Plant

Page 1 from 1

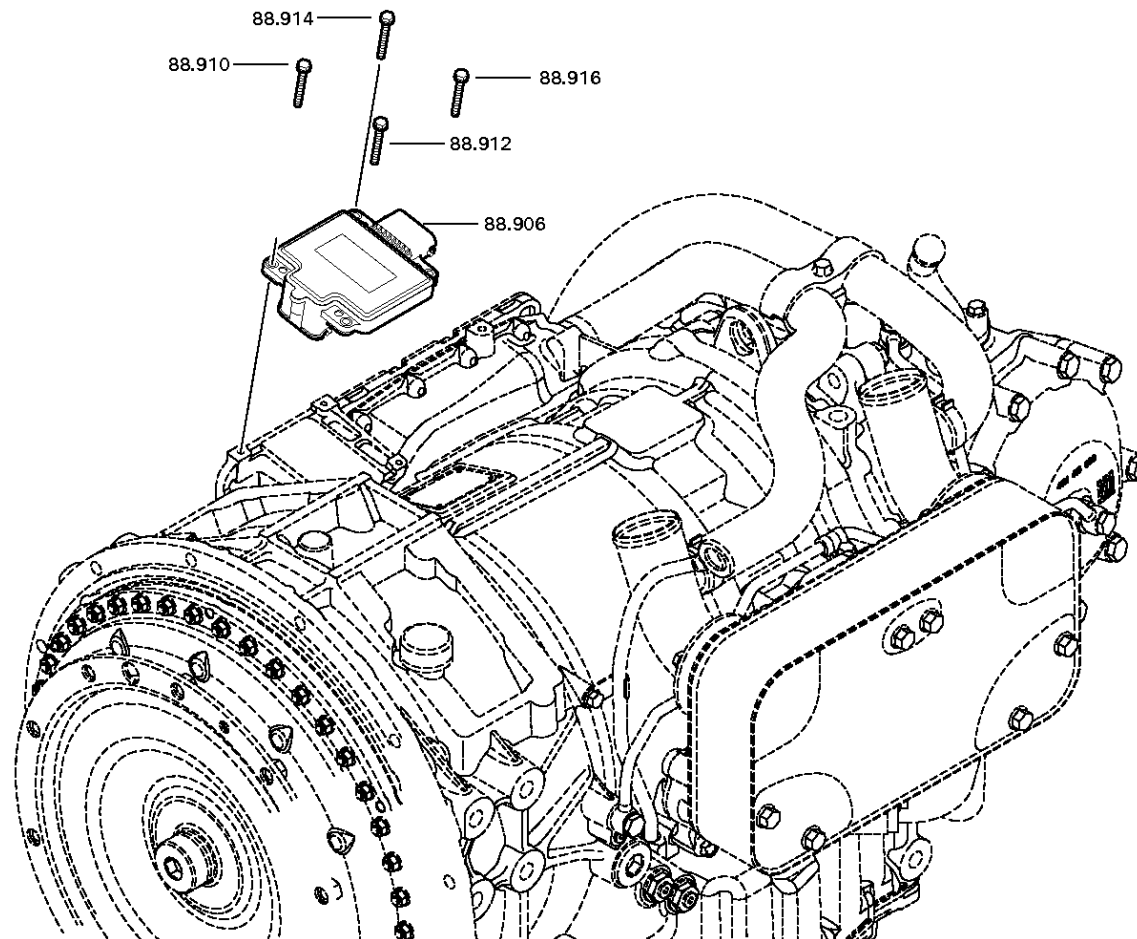
Material number: 4181.040.150

Plant: 130.88.81-1

Material-assembly-group-no: 4181.188.801



6 AP 1400 B /  
CONTROL UNIT



# Plant

Page 1 from 2

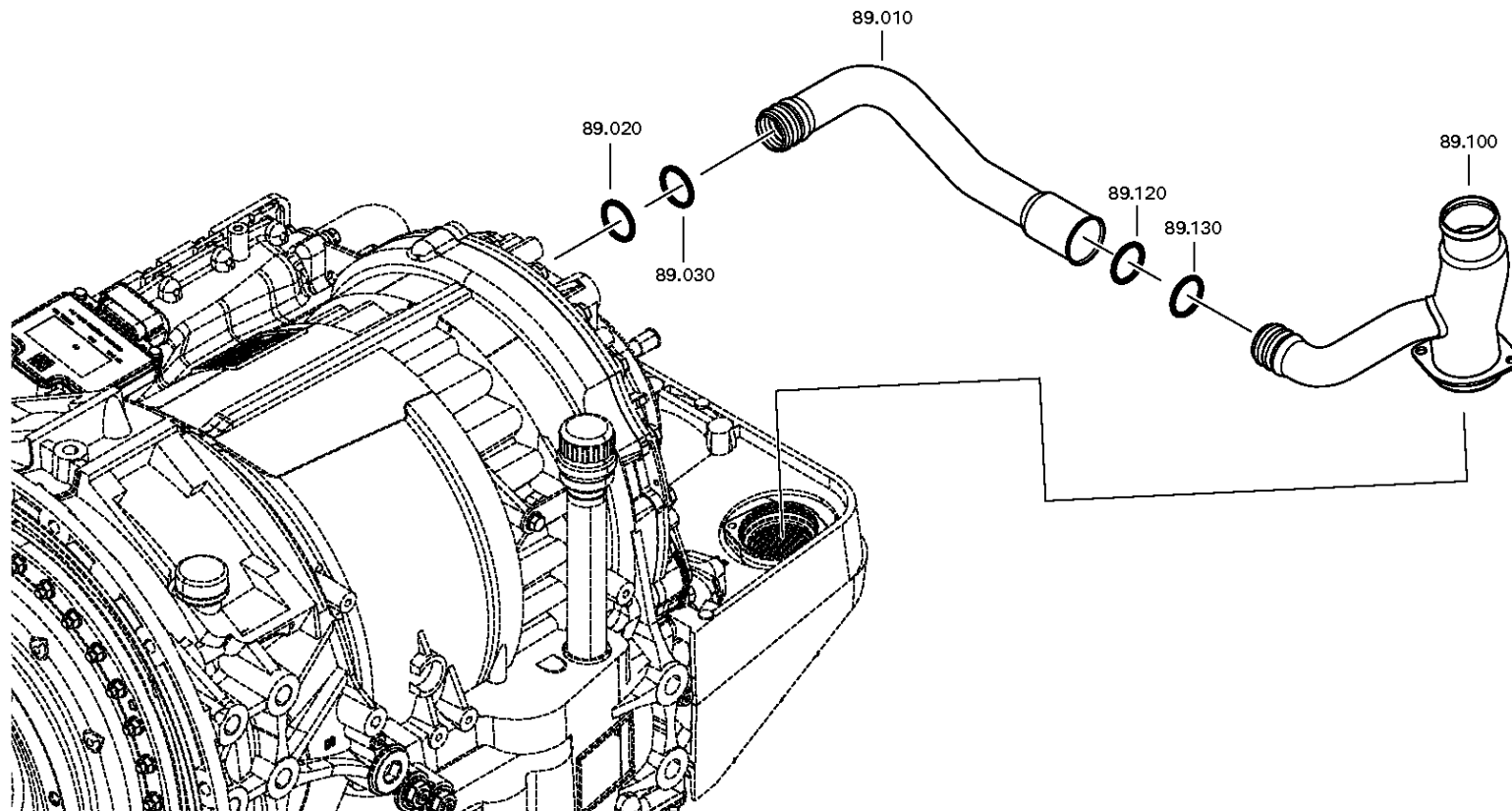
Material number: 4181.040.150

Plant: 130.89.05-1

TUBE



6 AP 1400 B /  
TUBE



# Plant

Page 2 from 2

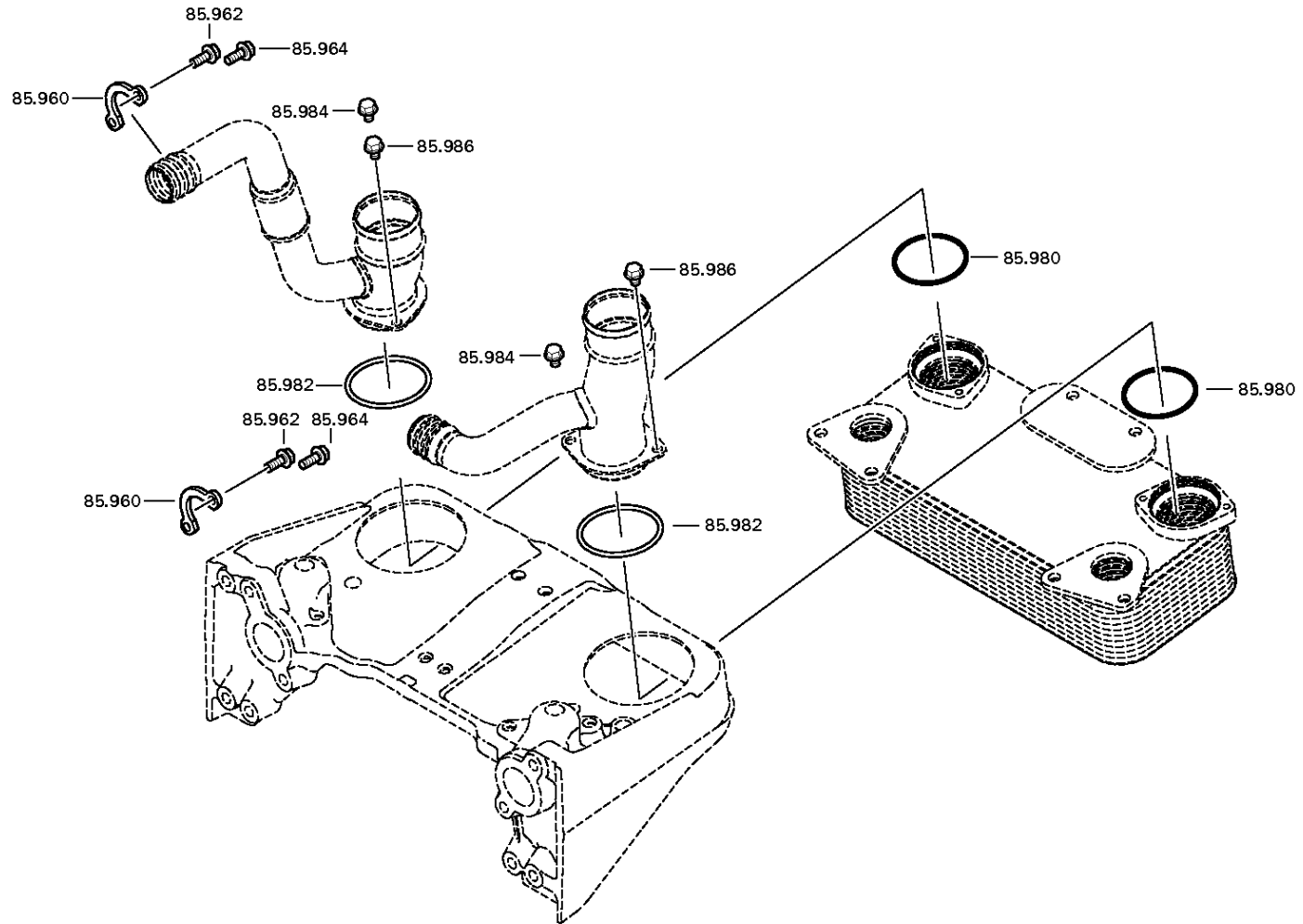
Material number: 4181.040.150

Plant: 130.85.81-1

TUBE



6 AP 1400 B /  
TUBE



# Plant

Page 1 from 1

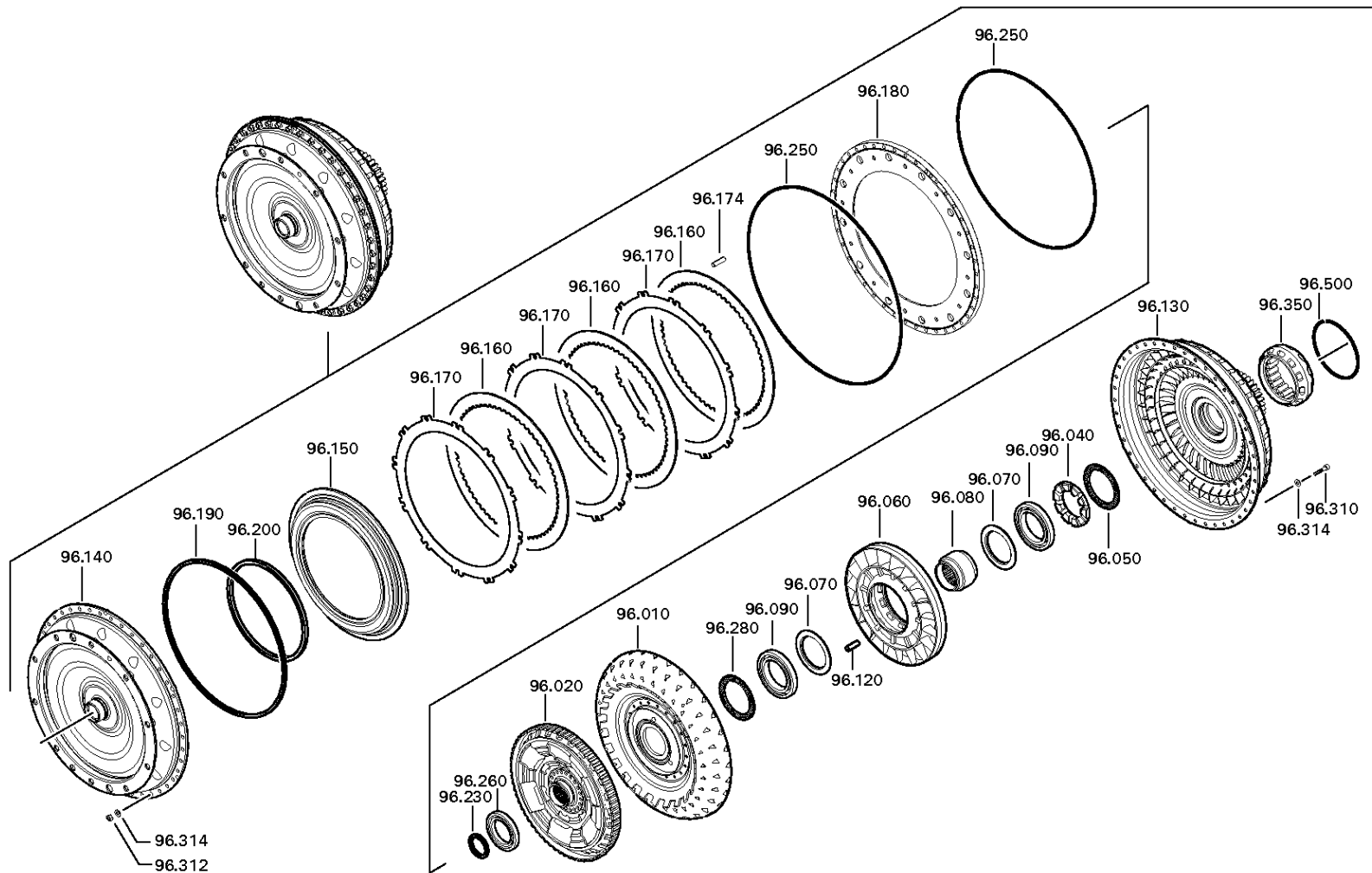
Material number: 4181.040.150

Plant: 130.96.04-1

Material-assembly-group-no: 0501.008.873



6 AP 1400 B /  
CONVERTER





# Plant

Page 1 from 1

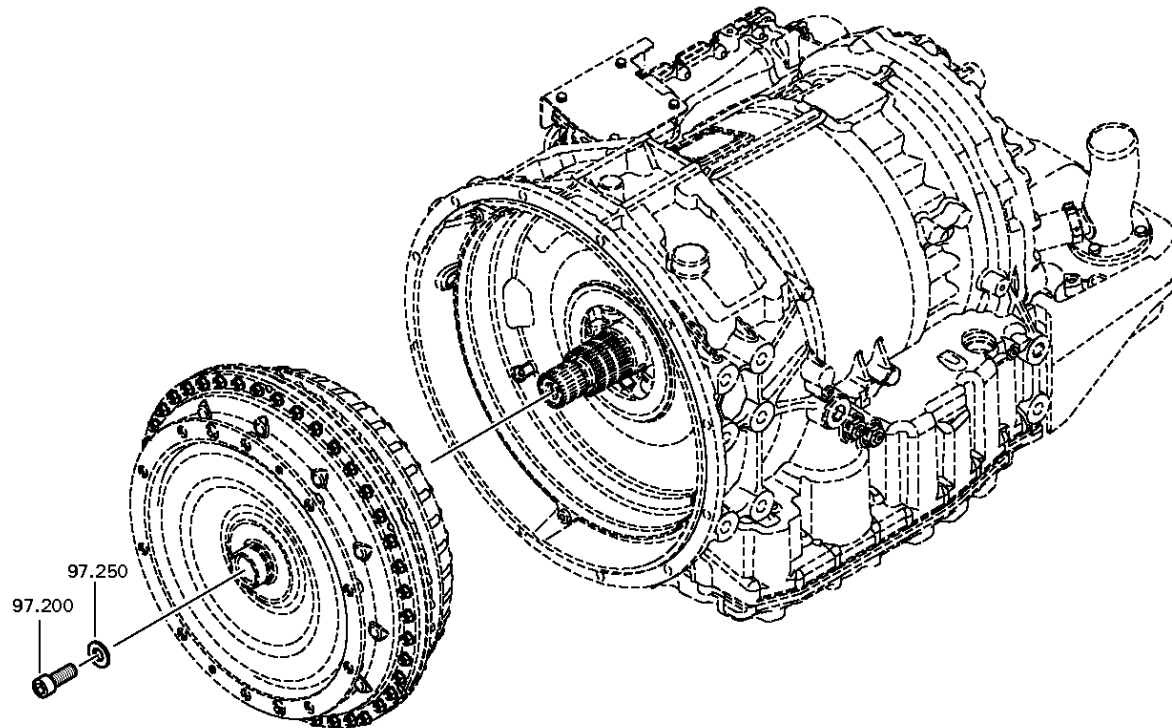
Material number: 4181.040.150

Plant: 130.97.01-1

Material-assembly-group-no: 4181.182.803



6 AP 1400 B /  
CONVERTER



# Plant

Page 1 from 1

Material number: 4181.040.150

Plant: 130.98.01-1

Material-assembly-group-no: 0768.409.579



6 AP 1400 B /  
SCREW PLUG

