



# Spare Parts Catalog

CK

Material number: 4460.005.281

Current date: 02.08.2018

ZF Friedrichshafen AG  
Hauptverwaltung  
80038 Friedrichshafen  
Deutschland

Telefon: +49 7541 77-0

Telefax: +49 7541 77-908000

[www.zf.com](http://www.zf.com)

zuständiges Werk:  
Passau

# Notes relating to the spare parts catalog

## Setup of the spare parts catalog

- Cover sheet
- Technical Cover (only in SDM print)
- Overview of figures
- Figure
- Associated parts list
- Next figure
- Associated parts list
- ...

## Figure and parts list



## Overview of figures

Bildtafel Figure	Sachnummer Product number	Benennung (Description)	Technische Info Technical info	Description (Benennung)	Menge Quantity	Einheit Unit
068.08.17	1316.170.001	AUSLEGER	WL	SHIFT TURRET	1	Stk
068.08.06	1316.170.031	DECKEL	WL*H-H *VM	COVER	1	Stk
068.08.14	1316.170.808	DECKEL	WL*AUSL+GEH*H-H*HF160N	COVER	1	Stk
08	1316.170.441	ANSCHLUSSTEILE	WL*NG-VORB*RG-SCHL*168N *BAJONETT	CONNECTING PARTS	1	Stk

The "gap" indicates that there is no separate graphics panel (poster) for this assembly  
The parts of this assembly are shown with the same mid-section number on the figure

### 1 Positions and subpositions

Pos.	Sachnummer Product number	Benennung (Description)	Technische Info Technical info	Description (Benennung)	Menge Quantity	Einheit Unit
0370	1315.201.054	RUECKLAUFBOLZEN	KPL.16S151*SG*L= 79	REV.IDLER SHAFT	1	Stk
/0120	0631.329.293	SPANNSTIFT		SLOT. PIN	1	Stk

Positions marked with "/" are the individual items of a completion  
For example: Position 0370 contains a centering pin with the position /0120

### 2 Combinations with standardized parts

Pos.	Sachnummer Product number	Benennung (Description)	Technische Info Technical info	Description (Benennung)	Menge Quantity	Einheit Unit
0630		VERSCHL.SCHR.		SCREW PLUG	1	Stk
	0636.302.067	VERSCHL.SCHR.		SCREW PLUG	1	Stk
	0634.801.249	DICHTRING	A 26 X 31	SEALING RING	1	Stk

The parts list shows the components included in the combination of standardized parts

### 3 Depiction of position/item number on the figure and in the parts list

01.620 - on the figure      01 relates to the assembly in which the position is included. Due to program-related reasons, it is shown on the figure.

0620 - in the parts list

Pos.	Sachnummer Product number	Benennung (Description)	Technische Info Technical info	Description (Benennung)	Menge Quantity	Einheit Unit
0620	0732.040.736	DRUCKFEDER		COMPRESSION SPRING	1	Stk

### 4 \*-Positions

Positions marked with an \* are optional i.e. inclusion in the parts list is not mandatory.  
The following note is shown on the figure

je nach Stücklistenausführung  
depending on spec. number  
\*  
suivant la nomenclature  
secondo la distinta base

### 5 Parts, dotted display

Parts with dotted display on the figure are only used for orientation of other parts

# Technical Cover

Page 1 from 1

Material number: 4460.005.281



CK /

Pos.	Information	Amendment number
	KUNDE:VOLVO BM-SCHWEDEN	
	IDENT-NO.: WITHOUT	
	PROJEKT-NR.:12933	
	VEHICLE DATA:	
	VOLVO (ZIVIL LKW)	
	TYP/GROESSE: CK M.MECH.DIFFSPERRE	
	KEGELTRIEB: I= 1,56 Z=28/18	
	RING GEAR: SPIRAL DIRECTION LEFT	
	FLANGE POSITION CONE-PULLEY-DRIVE: CENTER LEFT	
	DREHRICHTUNG: EDUL VA	
	AUF DEN FLANSCH GESEHEN	
	FLANSCH AD=120 *LZ= 4 *D=M10	
	DIFFERENTIAL:	
	TYP/GROESSE: C (CK)M.MECH.DIFFSPERRE	
	UEBERS.BEREICH: I=1,55 -2,21	
	BEVEL SIDE GEAR SPLINE: N 42X1,25	
	DRAWINGS:	
	SCHNITT: 4466 051 211( )	
	EINBAU: 4460 605 004(0)	
	PRUEFANWEISUNG: 4460 760 007(3)	
	OIL CAPACITY:	
	OIL SPECIFICATION: TE ML 05	
	WEIGHT-TOTAL: ...KG	
	COLOR: 3 ZEMENTGRAU RAL 7033 ZFN 915	
	MISCELLANEOUS/REMARKS:	

# Assembly group overview

Page 1 from 1

Material number: 4460.005.281



Graphics	Pos.	Material number	Name	Quantity	Amend. no.	Techn. Info.
446010500701	10	4460.105.075	HOUSING	1		
446010500702	400	4460.105.627	INPUT FLANGE	1		
446020501200	500	4460.205.012	BEVEL GEAR SET	1		
446110304900	550	4461.103.049	DIFFERENTIAL	1		

# Plant

Page 1 from 1

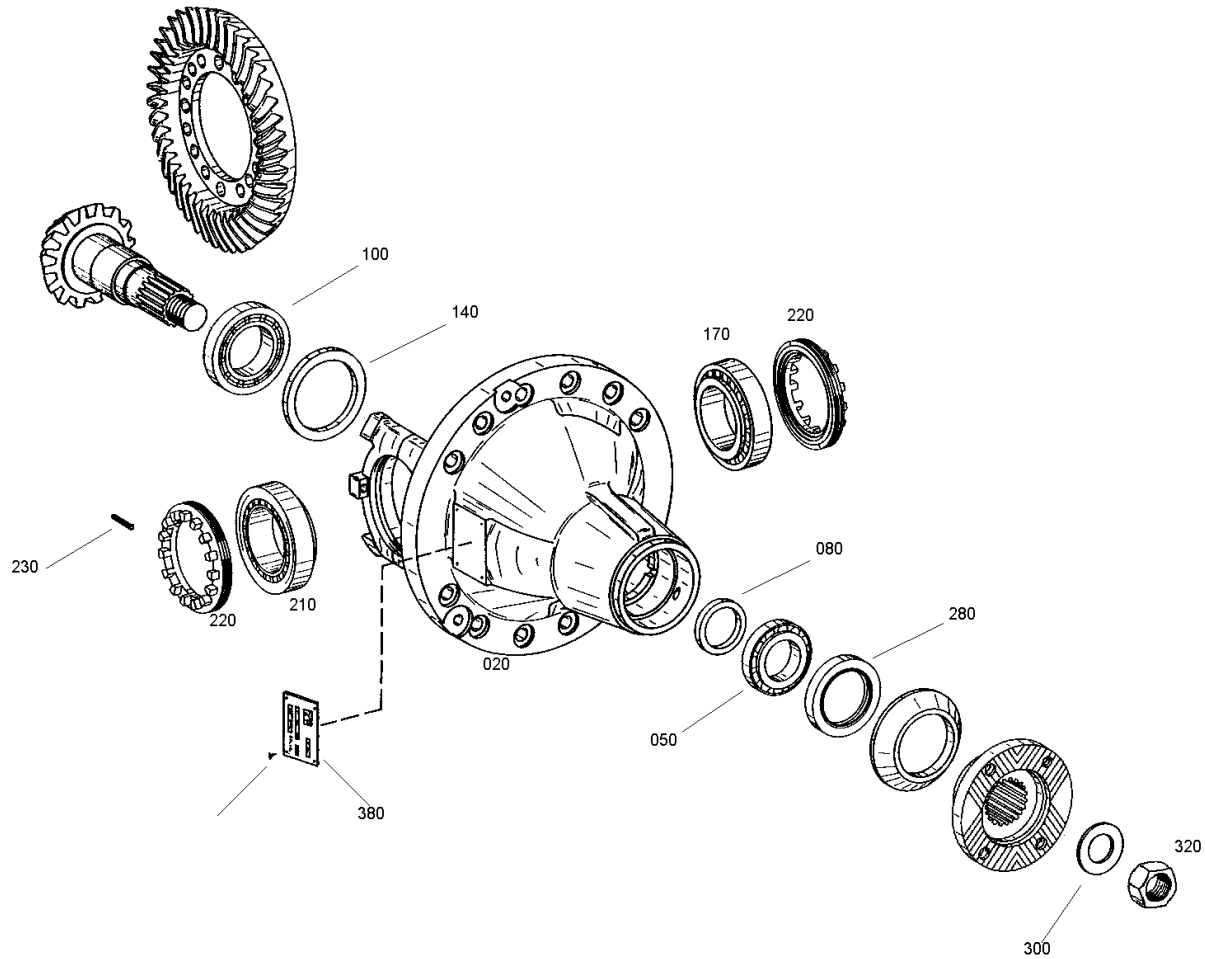
Material number: 4460.005.281

Plant: 446010500701

Material-assembly-group-no: 4460.105.075



CK /  
HOUSING



# Plant

Page 1 from 1

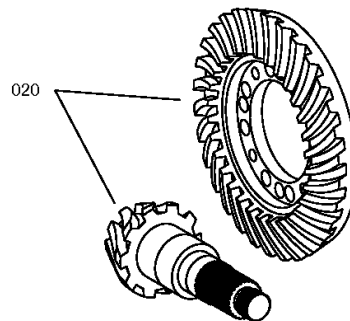
Material number: 4460.005.281

Plant: 446020501200

Material-assembly-group-no: 4460.205.012



CK /  
BEVEL GEAR SET



# Plant

Page 1 from 1

Material number: 4460.005.281

Plant: 446110304900

Material-assembly-group-no: 4461.103.049



CK /  
DIFFERENTIAL

