



Spare Parts Catalog

APL 9000

Material number: 4466.051.231

Current date: 01.06.2023

ZF Friedrichshafen AG
Hauptverwaltung
80038 Friedrichshafen
Deutschland

Telefon: +49 7541 77-0

Telefax: +49 7541 77-908000

www.zf.com

zuständiges Werk:
Passau

Notes relating to the spare parts catalog

Setup of the spare parts catalog

- Cover sheet
- Technical Cover (only in SDM print)
- Overview of figures
- Figure
- Associated parts list
- Next figure
- Associated parts list
- ...

Figure and parts list



Overview of figures

Bildtafel Figure	Sachnummer Product number	Benennung (Description)	Technische Info Technical info	Description (Benennung)	Menge Quantity	Einheit Unit
068.08.17	1316.170.001	AUSLEGER	WL	SHIFT TURRET	1	Stk
068.08.06	1316.170.031	DECKEL	WL*H-H *VM	COVER	1	Stk
068.08.14	1316.170.808	DECKEL	WL*AUSL+GEH*H-H*HF160N	COVER	1	Stk
08	1316.170.441	ANSCHLUSSTEILE	WL*NG-VORB*RG-SCHL*168N *BAJONETT	CONNECTING PARTS	1	Stk

The "gap" indicates that there is no separate graphics panel (poster) for this assembly
The parts of this assembly are shown with the same mid-section number on the figure

1 Positions and subpositions

Pos.	Sachnummer Product number	Benennung (Description)	Technische Info Technical info	Description (Benennung)	Menge Quantity	Einheit Unit
0370	1315.201.054	RUECKLAUFBOLZEN	KPL.16S151*SG*L= 79	REV.IDLER SHAFT	1	Stk
/0120	0631.329.293	SPANNSTIFT		SLOT. PIN	1	Stk

Positions marked with "/" are the individual items of a completion
For example: Position 0370 contains a centering pin with the position /0120

2 Combinations with standardized parts

Pos.	Sachnummer Product number	Benennung (Description)	Technische Info Technical info	Description (Benennung)	Menge Quantity	Einheit Unit
0630		VERSCHL.SCHR.		SCREW PLUG	1	Stk
	0636.302.067	VERSCHL.SCHR.		SCREW PLUG	1	Stk
	0634.801.249	DICHTRING	A 26 X 31	SEALING RING	1	Stk

The parts list shows the components included in the combination of standardized parts

3 Depiction of position/item number on the figure and in the parts list

01.620 - on the figure 01 relates to the assembly in which the position is included. Due to program-related reasons, it is shown on the figure.

0620 - in the parts list

Pos.	Sachnummer Product number	Benennung (Description)	Technische Info Technical info	Description (Benennung)	Menge Quantity	Einheit Unit
0620	0732.040.736	DRUCKFEDER		COMPRESSION SPRING	1	Stk

4 *-Positions

Positions marked with an * are optional i.e. inclusion in the parts list is not mandatory.
The following note is shown on the figure

je nach Stücklistenausführung
depending on spec. number
*
suivant la nomenclature
secondo la distinta base

5 Parts, dotted display

Parts with dotted display on the figure are only used for orientation of other parts

Technical Cover

Page 1 from 5

Material number: 4466.051.231



APL 9000 /

Pos.	Information	Amendment number
	KUNDE:VOLVO TRUCK/GOETEBURG	
	IDENT-NR:2058 5620	
	CUSTOMER-NUMBER:	
	QUESTIONNAIRE:	
	QUESTIONNAIRE	
	WITHOUT	
	PROJECT-NO.:	
	PROJECT-NO.:	
	VEHICLE DATA:	
	VEHICLE DATA:	
	TRUCK 4X4 OR 6X6	
	VEHICLE TYPE:	
	MOTOR: D9-380	
	ENGINE/MAKE/TYPER:	
	MOTORLEISTUNG: P=285 KW BEI N=2000 UPM	
	ENGINE POWER:	
	DREHMOMENT: T=1700 NM BEI N=1100 UPM	
	INPUT TORQUE:	
	GETRIEBE: VT 2214B I=16,68 -1,00	
	GEARBOX:	
	VERTEILER-GETR: VT 2501TB I=0,694-1,040	
	TRANSFER CASE	
	TYRES: SINGLE	
	SET OF TIRES: SINGLE	
	REIFEN: 13.00 R22,5	
	TIRES:	
	R.DYN. 0,545 M	
	RIM PITCH CIRCLE DIA: 335 MM	
	RIM PITCH CIRCLE DIA	
	MAX.SPEED:	
	MAX.SPEED:	
	PRODUCT DESCRIPTION:	
	DESCRIPTION:	



Pos.	Information	Amendment number
	ACHSANORDNUNG: VORDERACHSE 9T ACHSLAST	
	FITTING POSITION:FRONT AXLE 9 T AXLELOAD	
	UEBERSETZUNG GES:I= 5,19	
	RATIO TOTAL	
	PLANETENTRIEB: I= 3,33 P3-240-30	
	PLANETARY DRIVE: I= 6,00 P4-360-50	
	KEGELTRIEB: I= 1,56 Z=28/18	
	BEVELGEAR SET	
	BEFESTIGUNG: FEDERSPUR L= 825	
	MOUNTING SPRINGPAD	
	FLANSCHMASS: L=2368	
	FLANGE DISTANCE	
	SPURWEITE: L=2026	
	WHEEL TRACK:	
	BRAKE:	
	BRAKE:	
	TROMMELBREMSE ME:410X175-ABS ASBESTFREI	
	DRUM BRAKE ME:410X175 ABS WITHOUT ASBESTOS	
	PARKING BRAKE: WITHOUT	
	PARKING BRAKE: WITHOUT	
	GESTAENGESTELLER:JA	
	LINKAGE HOLDER: YES	
	BREMSBERECHNUNG: DURCHGEFUEHRT V.FA.VOLVO	
	BRAKE CALCULATION	
	WORKING CYLINDER: WITHOUT	
	WORKING CYLINDER: WITHOUT	
	DIFF.CARRIER:	
	DIFF.CARRIER	
	TYP/GROESSE: CK (MECH.DIFFSP.)	
	TYPE: CK (DIFF.LOCK)	
	DREHRICHTUNG: EDUL VA	
	SENS OF ROTATION:COUNTER CLOCKWISE	
	RING GEAR: SPIRAL DIRECTION LEFT	

Technical Cover

Page 3 from 5

Material number: 4466.051.231



APL 9000 /

Pos.	Information	Amendment number
	RING GEAR: LEFT	
	POSITION OF RING GEAR:RIGHT	
	POSITION OF RING GEAR/RIGHT	
	FLANGE POSITION CONE-PULLEY-DRIVE: CENTER LEFT	
	FLANGE POSITION: MIDDLE LEFT	
	FLANSCH AD=120 *LZ= 4 *D=M10	
	FLANGE CONN:	
	TYP/GROESSE: C (CK MECH.DIFFSPERRE)	
	TYPE: C (CK DIFF.LOCK)	
	BEVEL SIDE GEAR SPLINE: N 42X1,25	
	BEVEL SIDE GEAR SPLINE:	
	DRAWINGS:	
	DRAWINGS:	
	SCHNITT: 4466 051 211(0)	
	SECT.DRAWING:	
	EINBAU: 4466 651 140(0)	
	INST.DRAWING:	
	LASTENHEFT: 4466 700 035(4)	
	PERFORMANCE SPEZIFICATION	
	PRUEFANWEISUNG: 4464 760 016(3)	
	TEST SPECIFICATION:	
	INSTALLATION CHECK:	
	INSTALLATION CHECK:	
	KUNDENZEICHNUNG:	
	DRAWING-NO.OF CUSTOMER	
	ASSEMBLY INSTRUCTION:	
	MOUNTING HINTS:	
	BREMSEINSTELLUNG NACH ANWEISUNG 4466 700 037	
	LENKEINSCHLAG:KI 35,5 GRAD/KA 29 GRAD	
	STEERING ANGLE:INNERWH.35,5/OUTHERWH.29 DEGREES	
	VORSPUREINST.3MM+-1MM BEI 550 MM MESSSCHENKELLAENGE	
	SUSP.OF TOE-IN:3MM+-1 AT550MM LENGTH OF ARM	
	LENKHEBEL LINKS IN FAHRTRICHTUNG	

Technical Cover

Page 4 from 5

Material number: 4466.051.231



APL 9000 /

Pos.	Information	Amendment number
	STEERING-LEVER: LEFT AT DRIVE DIRECTION	
	ABS-SENSOR POS.:WAAGRECHT IN FAHRTR.HINTEN	
	ABS-SENSOR POS.:HORIZONT. AT DRIVE DIR. BEHIND	
	FARBFREIE FLAECHE VOR DEM SPRITZEN EINFETTEN S.EBZ	
	SURFACES WITHOUT COLOR WITH GREASE QUARDED AT	
	CORROSION (LOOK FOR INSTALL.DRAWING)	
	COVER MOUNTING FACE OF RIM WITH 4474 385 100 TO	
	PROTECT AGAINST PAINT.	
	DISCLOSE COVER 4474 385 100 AFTER PAINTING AND PROTECT MOU	
	DISCLOSE COVER 4474 385 100 AFTER PAINTING AND PROTECT	
	MOUNTING FACE OF RIM AGAINST CORROSION WITH APPRCP.	
	ANTI-CORROSIV AGENT.	
	DOPPELGELENKWELLE	
	DOUBLE UNIVERSAL SHAFT	
	AUXILIARY UNIT	
	EXTRA UNITS	
	OIL CAPACITY:	
	OIL CAPACITY:	
	ACHSBRUECKE: CA.10,30L	
	AXLE:	
	PLANETENTRIEB/JE:CA. 1,30L	
	PLANETARY DRIVE: I= 6,00 P4-360-50	
	GESAMT: CA. 12,90L	
	TOTAL: CA.29,00L	
	WITH OIL: YES WEEK/YEAR	
	OIL FILLING: YES	
	OELSORTE:SPEZIFIK.:TE-ML 12	
	OIL SPECIFICATION	
	BREMSENBETAETIGUNG: MIT LUFTDRUCK	
	BRAKE ACTUATION PNEUMATICALLY	
	WEIGHT-TOTAL: ...KG	
	WEIGHT TOTAL	
	FARBE: 5 TIEFSCHWARZ RAL 9005	

Technical Cover

Page 5 from 5

Material number: 4466.051.231



APL 9000 /

Pos.	Information	Amendment number
	DECKLACK: SEAWOLF BLUE	
	COLOR:	
	VERPACKUNG: GEMAESS VOLVO-VERTRAG	
	PACKING: ACCORDING TO AGREEMENT WITH VOLVO	
	MISCELLANEOUS/REMARKS:	
	MISCELLANEOUS/REMARKS	
	TYPE PLATE ACCORDING TO DIRECTIVE 4466 700 036	

Assembly group overview

Page 1 from 1

Material number: 4466.051.231



APL 9000 /

Picture	Pos.	Material number	Name	Quantity	Amend. no.	Techn. Info.
	20	4460.005.281	CK	1		
446611100600	90	4466.111.006	AXLE CASING	1		
446611143700	100	4466.111.437	AXLE CASING	1		
446611301001	110	4466.113.018	JOINT HOUSING	1		
446611301002	120	4466.113.438	JOINT HOUSING	1		
446611200301	130	4466.112.010	HUB CARRIER	1		
446611200302	140	4466.112.412	HUB CARRIER	1		
446310100100	80	4463.101.008	PLANETARY DRIVE	2		
446212275701	60	4462.122.757	BRAKE	1		
446212266700	70	4462.122.667	BRAKE	1		
	KIT	4466.298.009	SHIM RING	1		

Picture

Page 1 from 1

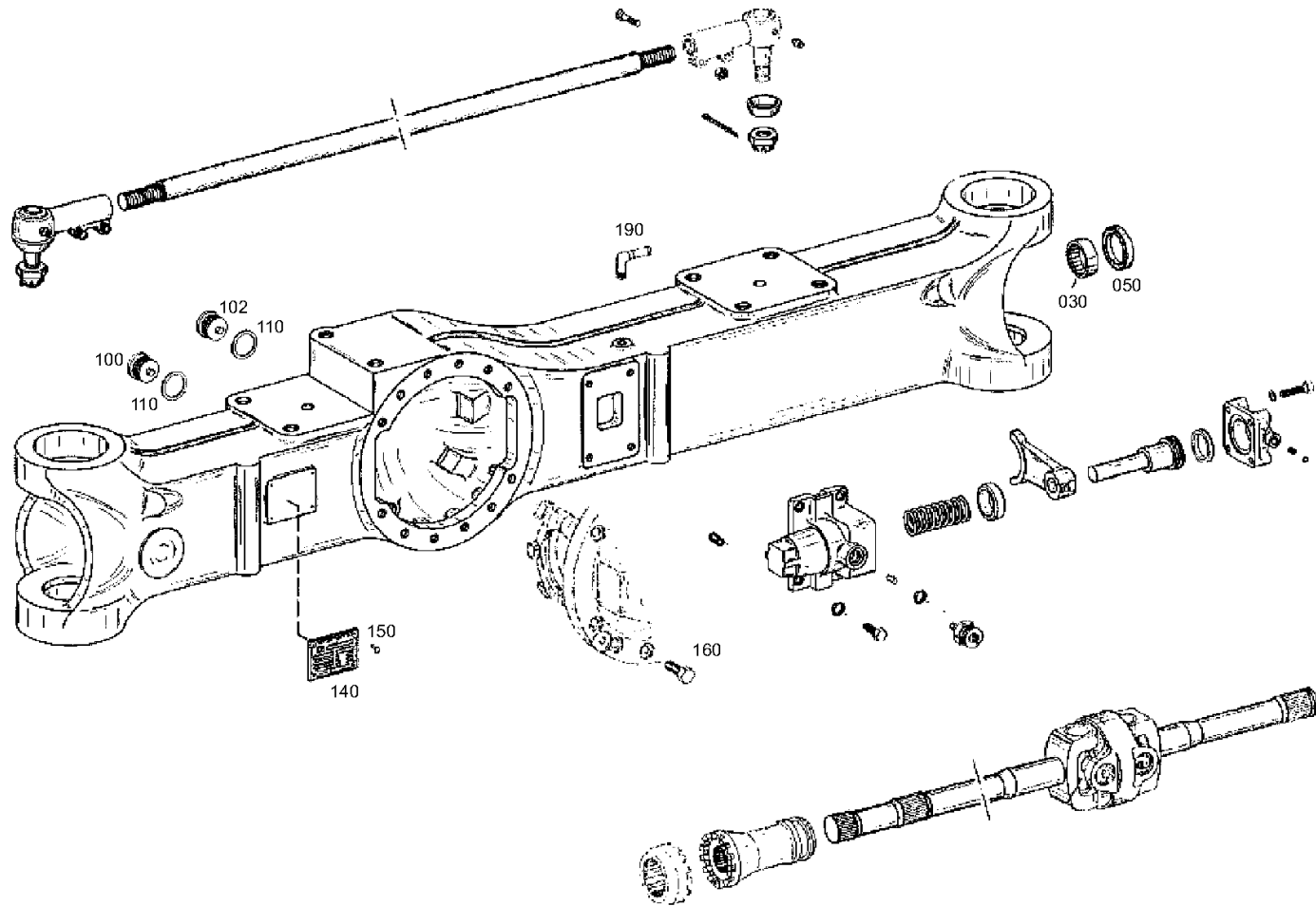
Material number: 4466.051.231

Picture: 446611100600

Material-assembly-group-no: 4466.111.006



APL 9000 /
AXLE CASING



Picture

Page 1 from 1

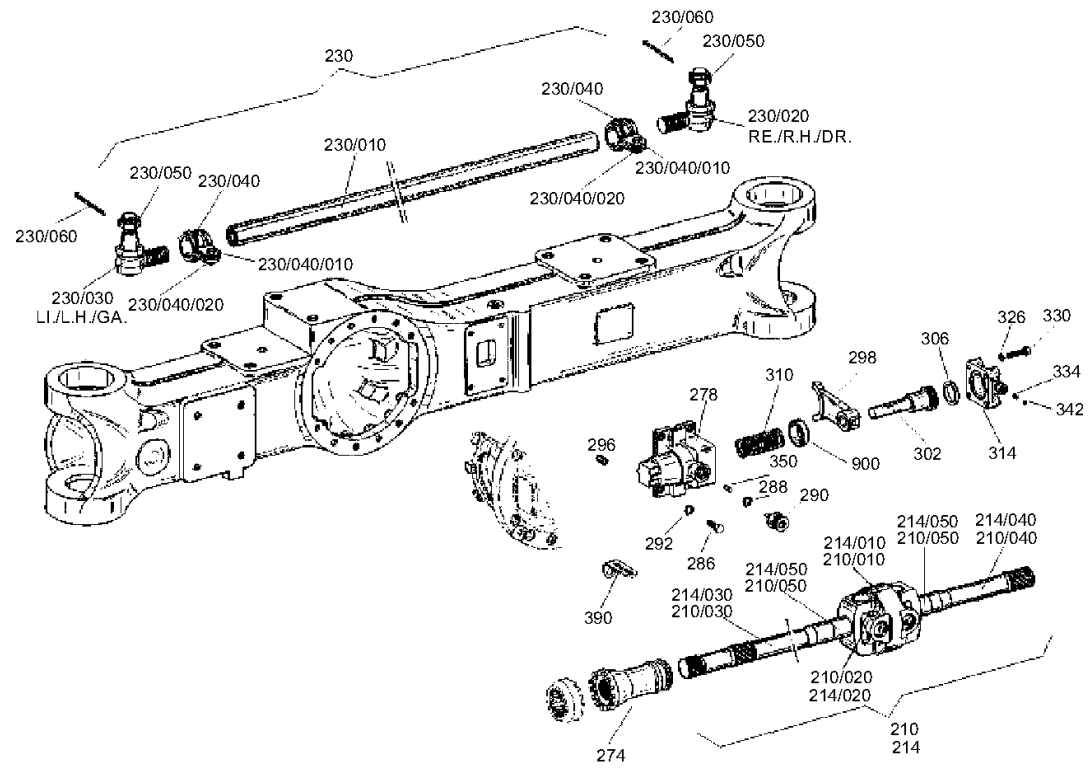
Material number: 4466.051.231

Picture: 446611143700

Material-assembly-group-no: 4466.111.437



APL 9000 /
AXLE CASING



Picture

Page 1 from 1

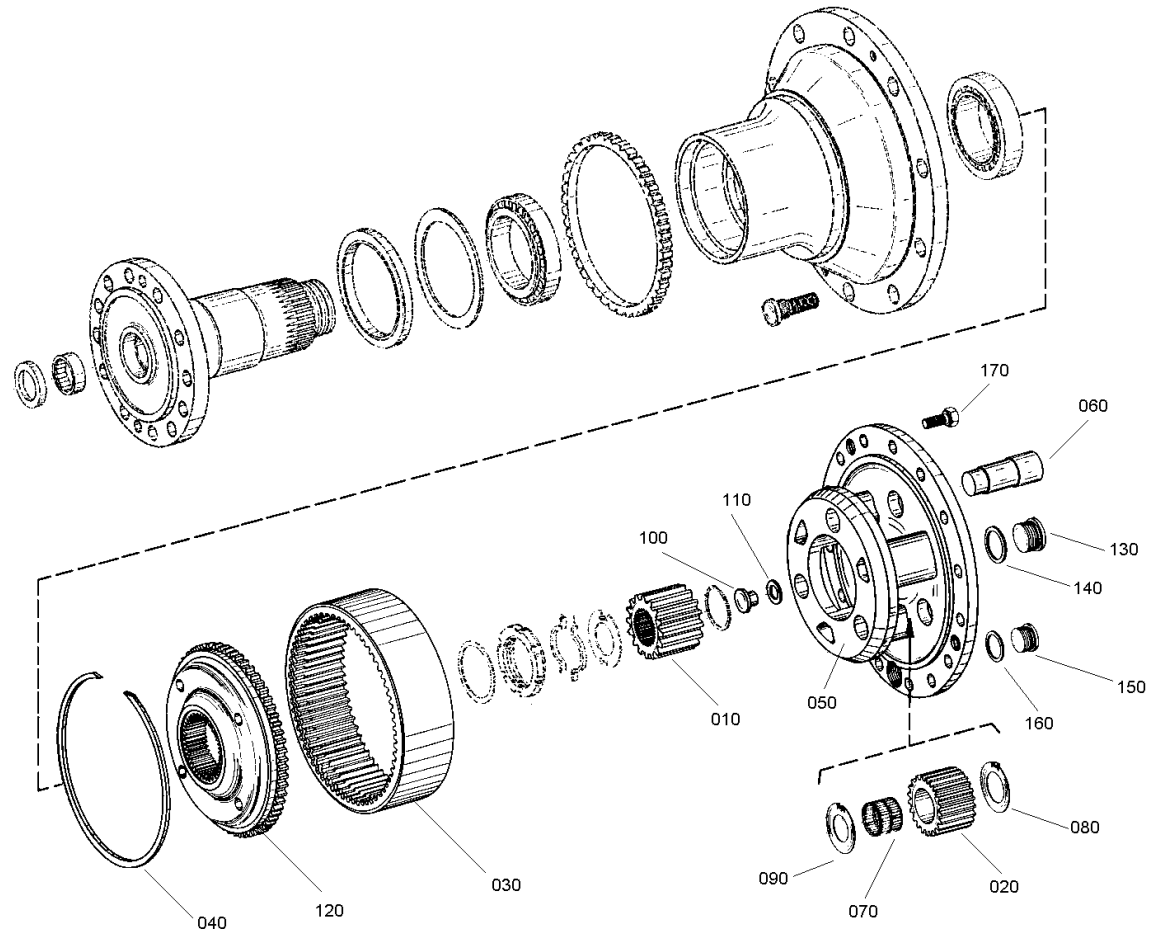
Material number: 4466.051.231

Picture: 446310100100

Material-assembly-group-no: 4463.101.008



APL 9000 /
PLANETARY DRIVE



Picture

Page 1 from 2

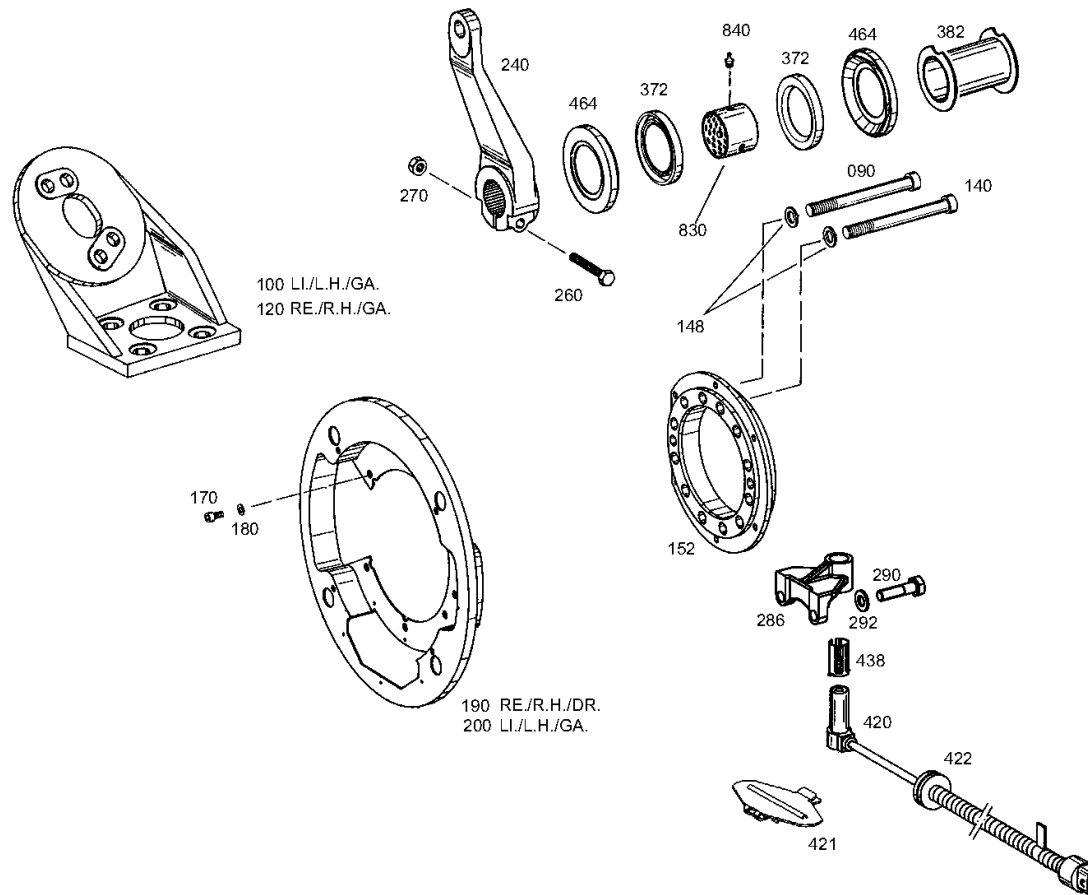
Material number: 4466.051.231

Picture: 446212275701

Material-assembly-group-no: 4462.122.757



APL 9000 /
BRAKE



Picture

Page 2 from 2

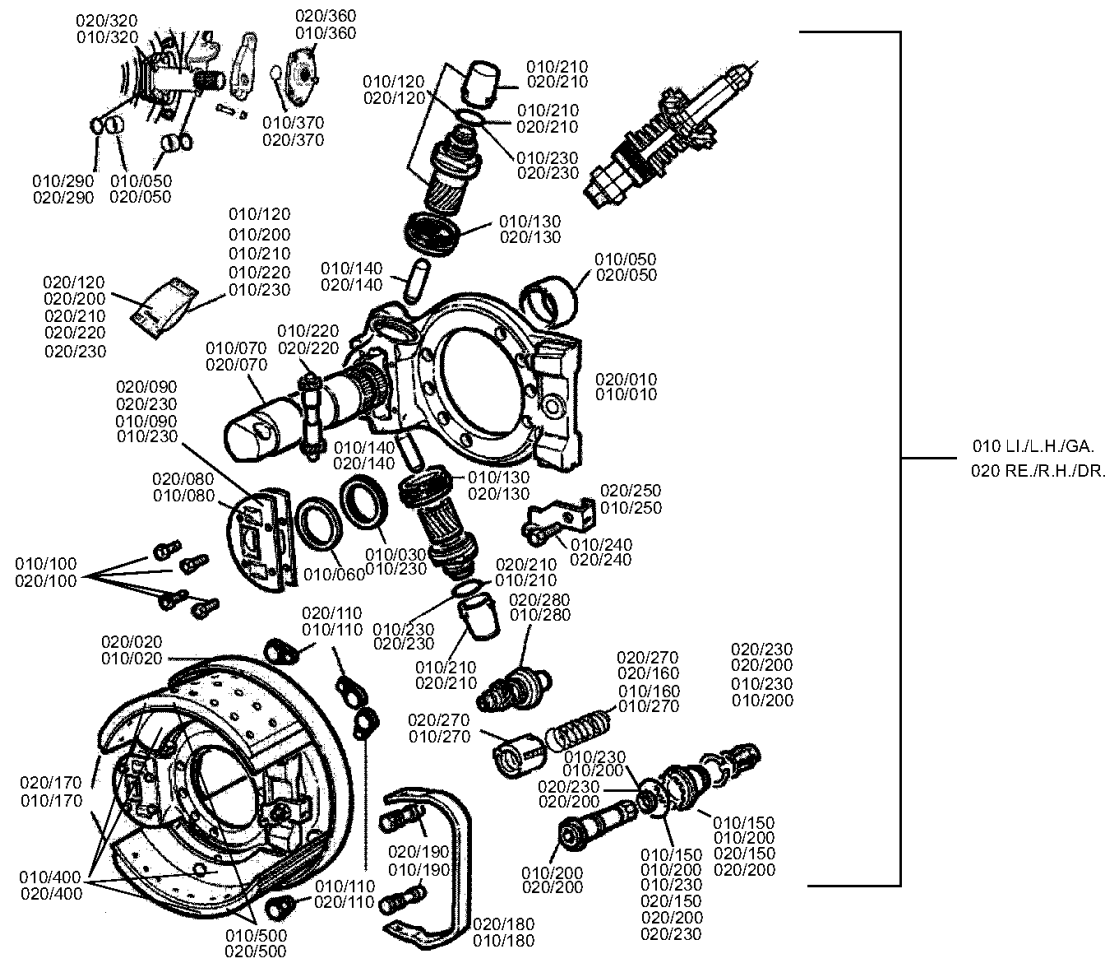
Material number: 4466.051.231

Picture: 446212275702

Material-assembly-group-no: 4462.122.757



APL 9000 /
BRAKE



Picture

Page 1 from 1

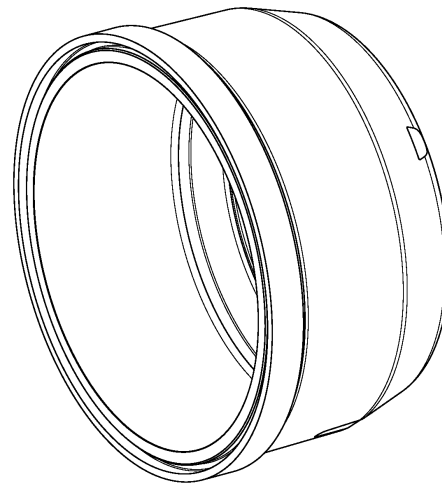
Material number: 4466.051.231

Picture: 446212266700

Material-assembly-group-no: 4462.122.667



APL 9000 /
BRAKE



040


260

Picture

Page 1 from 1

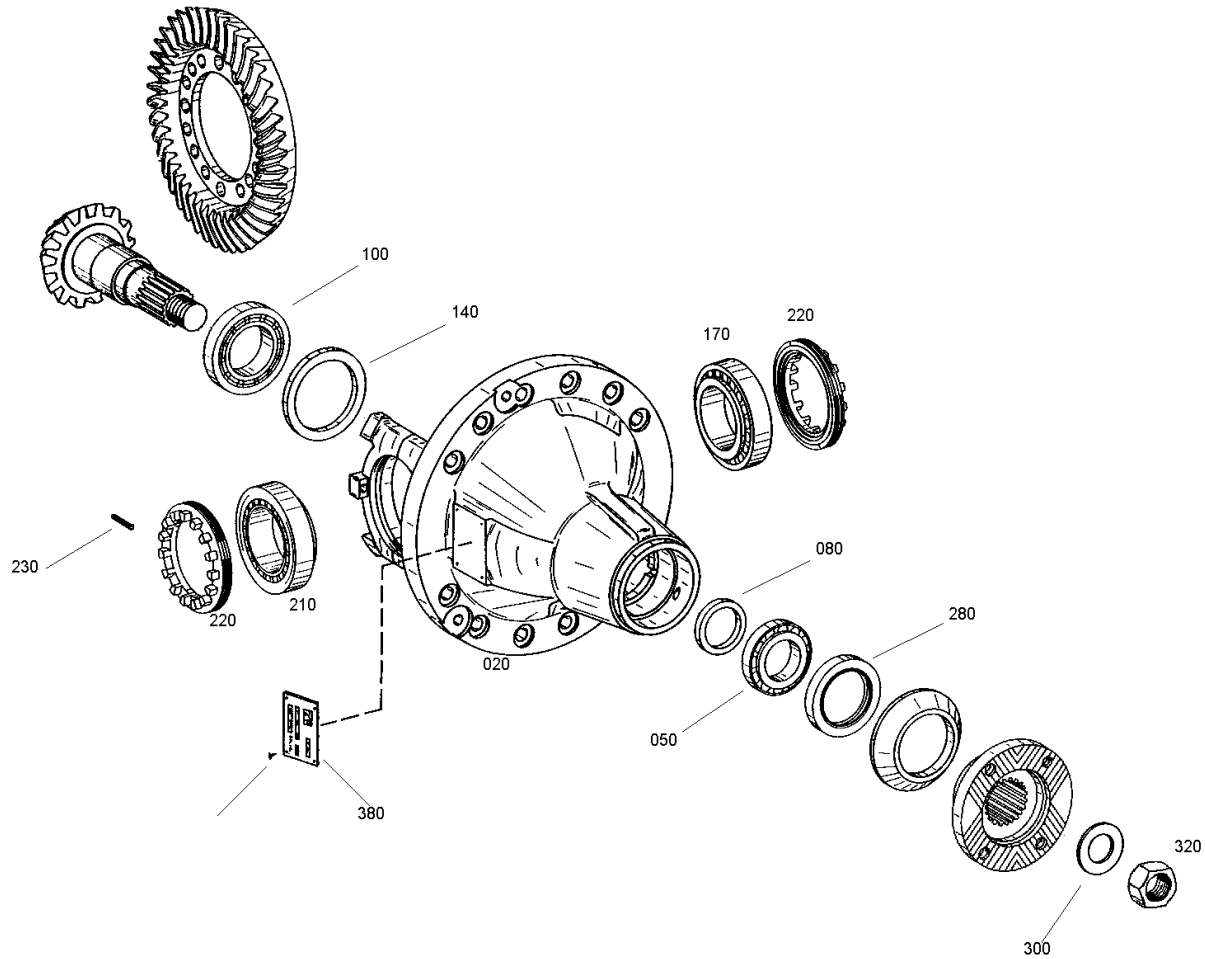
Material number: 4460.005.281

Picture: 446010500701

Material-assembly-group-no: 4460.105.075



APL 9000 /
HOUSING



Picture

Page 1 from 1

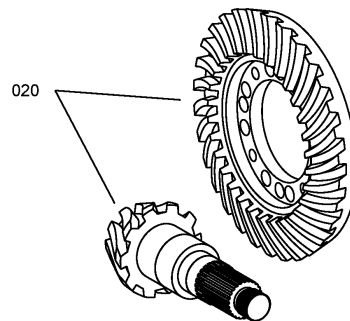
Material number: 4460.005.281

Picture: 446020501200

Material-assembly-group-no: 4460.205.012



APL 9000 /
BEVEL GEAR SET



Picture

Page 1 from 1

Material number: 4460.005.281

Picture: 446110304900

Material-assembly-group-no: 4461.103.049



APL 9000 /
DIFFERENTIAL

