



Spare Parts Catalog

APL 90

Material number: 4466.062.058

Current date: 06.06.2023

ZF Friedrichshafen AG
Hauptverwaltung
80038 Friedrichshafen
Deutschland

Telefon: +49 7541 77-0

Telefax: +49 7541 77-908000

www.zf.com

zuständiges Werk:
Passau

Notes relating to the spare parts catalog

Setup of the spare parts catalog

- Cover sheet
- Technical Cover (only in SDM print)
- Overview of figures
- Figure
- Associated parts list
- Next figure
- Associated parts list
- ...

Figure and parts list



Overview of figures

Bildtafel Figure	Sachnummer Product number	Benennung (Description)	Technische Info Technical info	Description (Benennung)	Menge Quantity	Einheit Unit
068.08.17	1316.170.001	AUSLEGER	WL	SHIFT TURRET	1	Stk
068.08.06	1316.170.031	DECKEL	WL*H-H *VM	COVER	1	Stk
068.08.14	1316.170.808	DECKEL	WL*AUSL+GEH*H-H*HF160N	COVER	1	Stk
08	1316.170.441	ANSCHLUSSTEILE	WL*NG-VORB*RG-SCHL*168N *BAJONETT	CONNECTING PARTS	1	Stk

The "gap" indicates that there is no separate graphics panel (poster) for this assembly
The parts of this assembly are shown with the same mid-section number on the figure

1 Positions and subpositions

Pos.	Sachnummer Product number	Benennung (Description)	Technische Info Technical info	Description (Benennung)	Menge Quantity	Einheit Unit
0370	1315.201.054	RUECKLAUFBOLZEN	KPL.16S151*SG*L= 79	REV.IDLER SHAFT	1	Stk
/0120	0631.329.293	SPANNSTIFT		SLOT. PIN	1	Stk

Positions marked with "/" are the individual items of a completion
For example: Position 0370 contains a centering pin with the position /0120

2 Combinations with standardized parts

Pos.	Sachnummer Product number	Benennung (Description)	Technische Info Technical info	Description (Benennung)	Menge Quantity	Einheit Unit
0630		VERSCHL.SCHR.		SCREW PLUG	1	Stk
	0636.302.067	VERSCHL.SCHR.		SCREW PLUG	1	Stk
	0634.801.249	DICHTRING	A 26 X 31	SEALING RING	1	Stk

The parts list shows the components included in the combination of standardized parts

3 Depiction of position/item number on the figure and in the parts list

01.620 - on the figure 01 relates to the assembly in which the position is included. Due to program-related reasons, it is shown on the figure.

0620 - in the parts list

Pos.	Sachnummer Product number	Benennung (Description)	Technische Info Technical info	Description (Benennung)	Menge Quantity	Einheit Unit
0620	0732.040.736	DRUCKFEDER		COMPRESSION SPRING	1	Stk

4 *-Positions

Positions marked with an * are optional i.e. inclusion in the parts list is not mandatory.
The following note is shown on the figure

je nach Stücklistenausführung
depending on spec. number
*
suivant la nomenclature
secondo la distinta base

5 Parts, dotted display

Parts with dotted display on the figure are only used for orientation of other parts

Technical Cover

Page 1 from 1

Material number: 4466.062.058



APL 90 /

Pos.	Information	Amendment number
	KUNDE: RENAULT TRUCKS	
	SZ:4466 062 072	
	DIFF-SZ: 4466 262 007	
	EBZ: 4466 662 014	
	SCHMIERSTOFFLISTE: TE-ML12	
	ÖLFÜLLUNG: JA	
	ACHSBRUECKE: 15L	
	JE RADKOPF: 1L	
	OELMENGE GESAMT: 17L	
	GRUNDIERUNG: TIEFSCHWARZ RAL 9005	
	DECKLACK: SEAWOLFBLEUE	
	FLANSCHMASS: 2368MM	
	FEDERSPUR: 815MM	
	FELGENLOCHKREIS: 335MM	
	ACHSEINSATZPOSTION: LINKS	
	FLANSCHDREHRICHTUNG: EDUL	
	KEGELTRIEB: I=1,56	
	TELLERRADSPIRALRICHTUNG: LINKS	
	TELLERRADLAGE: RECHTS	
	PLANETENTRIEB: I=3,33	
	GESAMTUEBERSETZUNG: I=5,19	
	LENKUNG: LHD	
	LENKHEBEL: LINKS	
	LENKWINKEL INNENRAD: 38°	
	LENKWINKEL AUSSENRAD: ~30°	
	ABS-SENSOR: JA	
	PARKBREMSE: JA	
	PARKBREMSE AKTIVIERT: NEIN	
	BETRIEBSBREMSE DRUCKBEAUFSCHLAGT: NEIN	

Assembly group overview

Page 1 from 1

Material number: 4466.062.058



APL 90 /

Picture	Pos.	Material number	Name	Quantity	Amend. no.	Techn. Info.
	40	4466.072.004	CK	1		
446610500200	10	4466.105.002	AXLE CASING	1		
446611401301	20	4466.114.013	JOINT HOUSING	1		
446611401401	30	4466.114.014	JOINT HOUSING	1		
446611700101	70	4466.117.001	PLANETARY DRIVE	1		
446611700101	80	4466.117.001	PLANETARY DRIVE	1		
446611500501	50	4466.115.005	BRAKE	1		
446611500601	60	4466.115.006	BRAKE	1		
446613900200	90	4466.139.002	TYPE PLATE	1		

Picture

Page 1 from 2

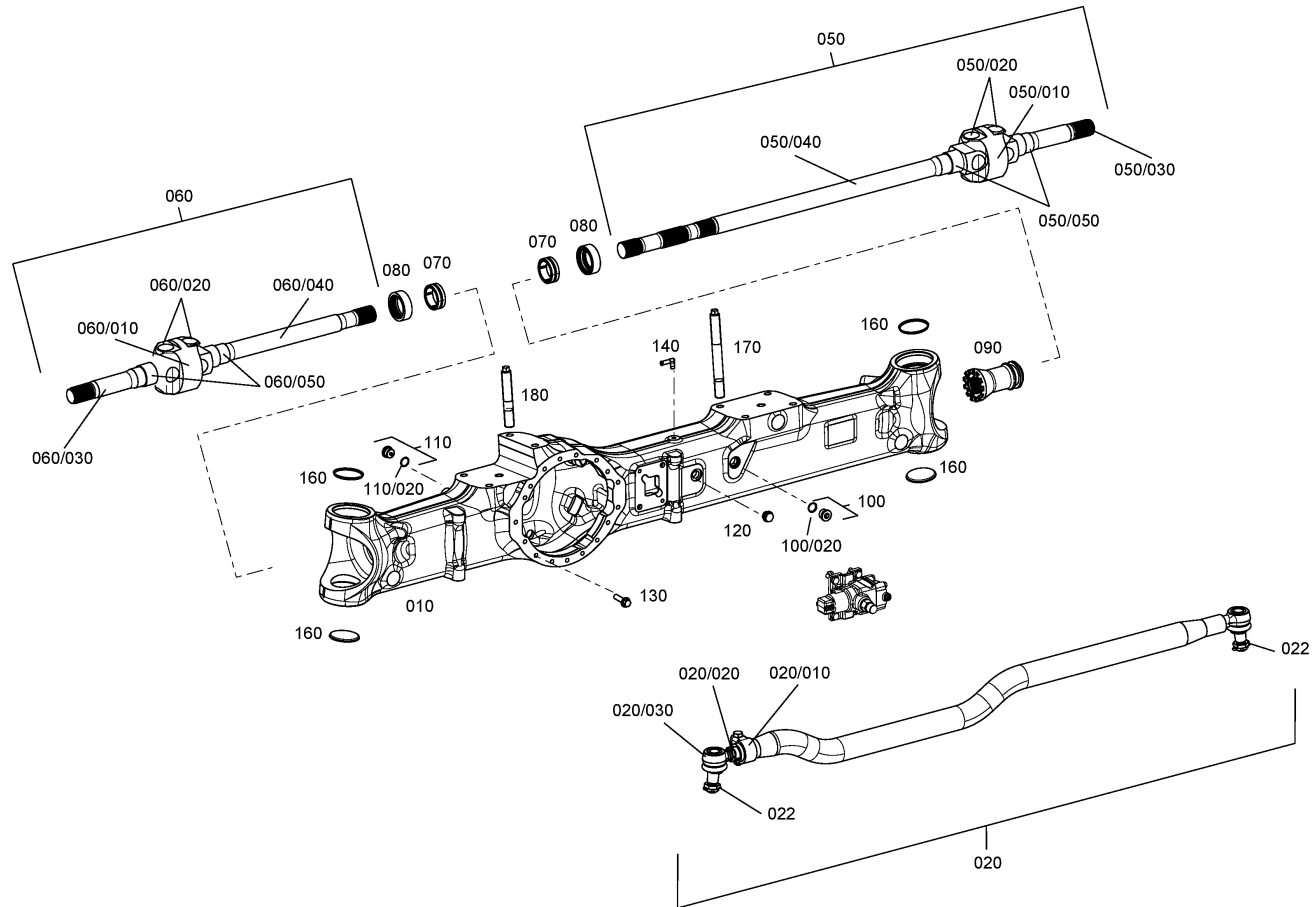
Material number: 4466.062.058

Picture: 446610500200

Material-assembly-group-no: 4466.105.002



APL 90 /
AXLE CASING



Picture

Page 2 from 2

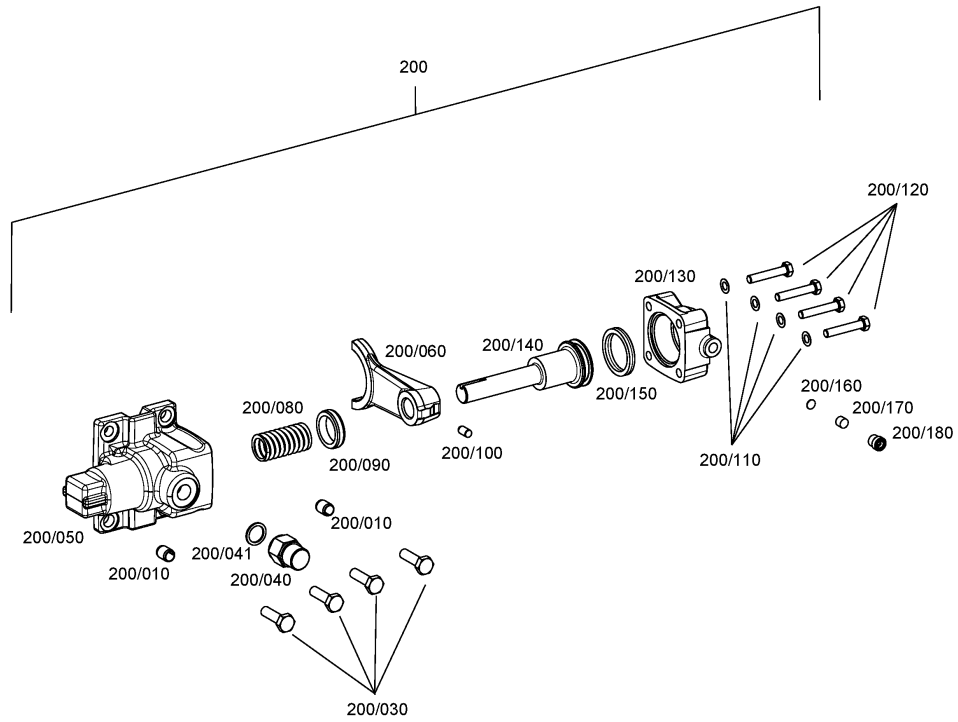
Material number: 4466.062.058

Picture: 446610500201

Material-assembly-group-no: 4466.105.002



APL 90 /
AXLE CASING



Picture

Page 1 from 1

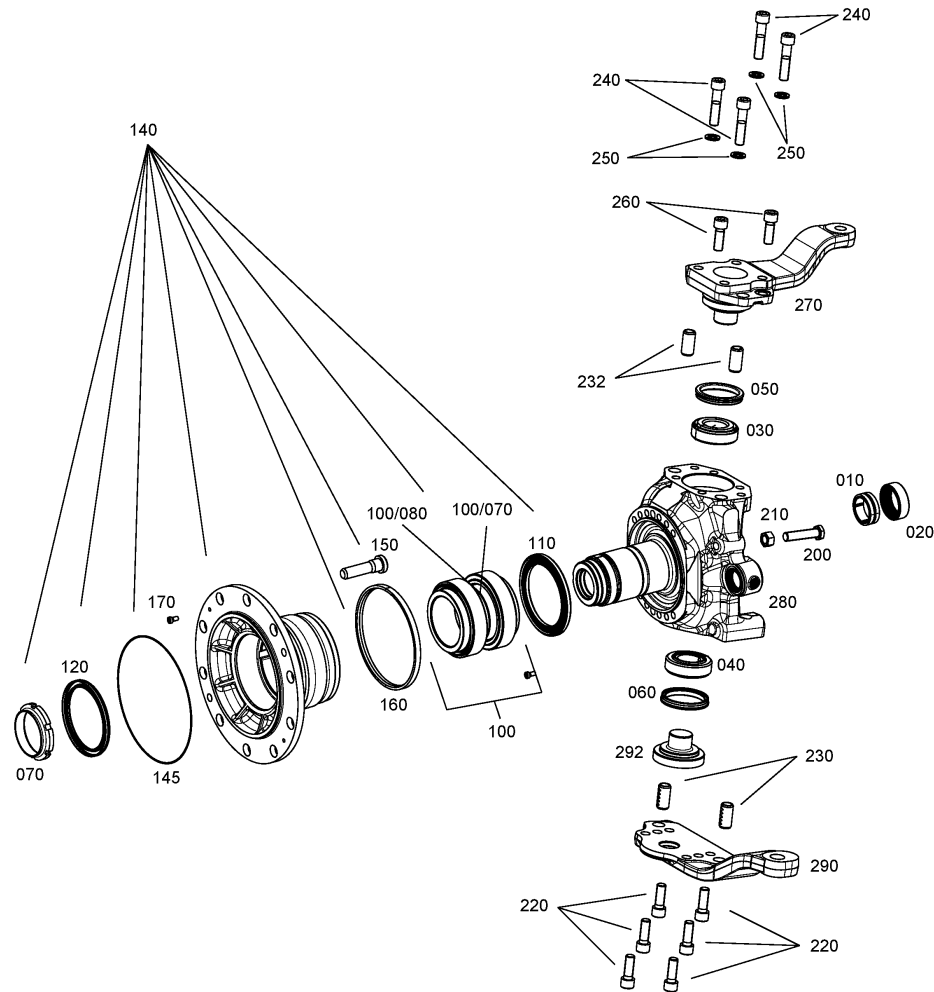
Material number: 4466.062.058

Picture: 446611401301

Material-assembly-group-no: 4466.114.013



APL 90 /
JOINT HOUSING



Picture

Page 1 from 1

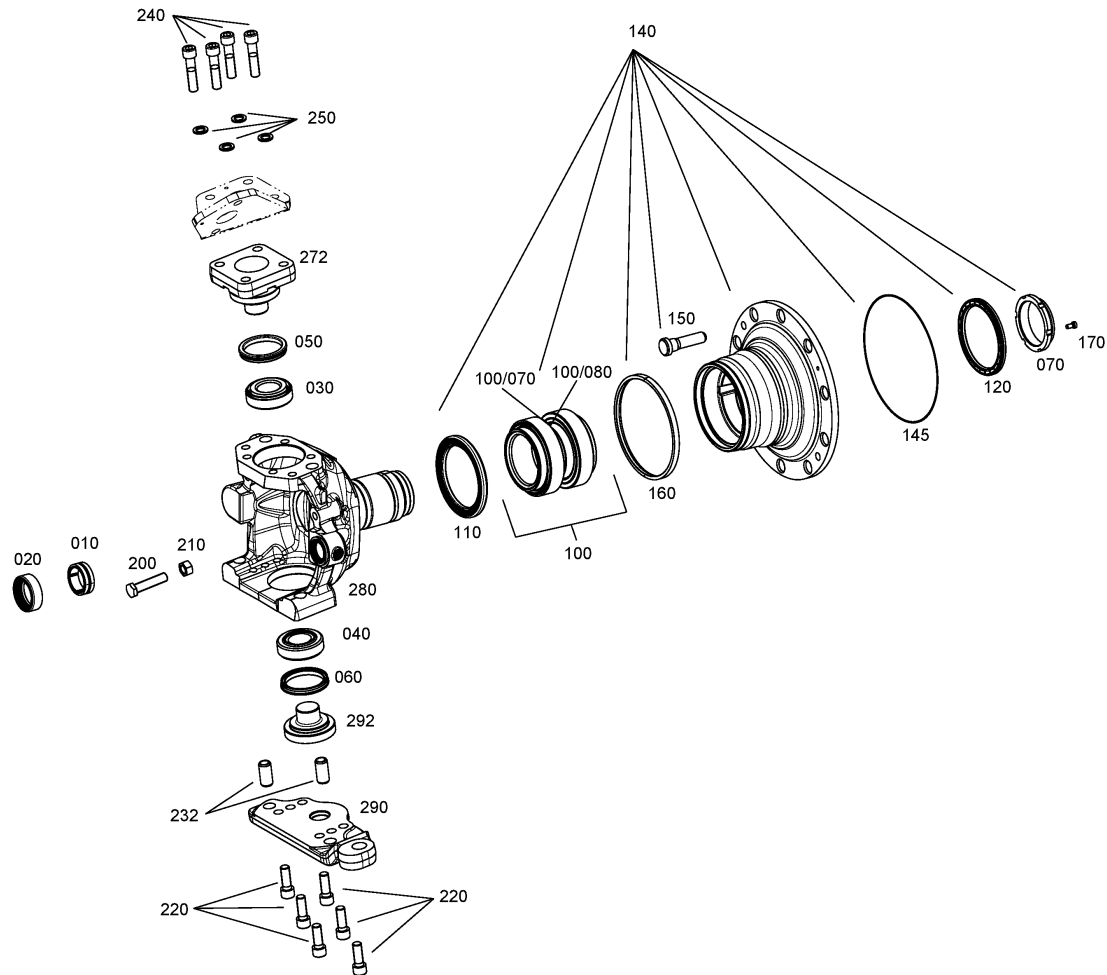
Material number: 4466.062.058

Picture: 446611401401

Material-assembly-group-no: 4466.114.014



APL 90 /
JOINT HOUSING



Picture

Page 1 from 1

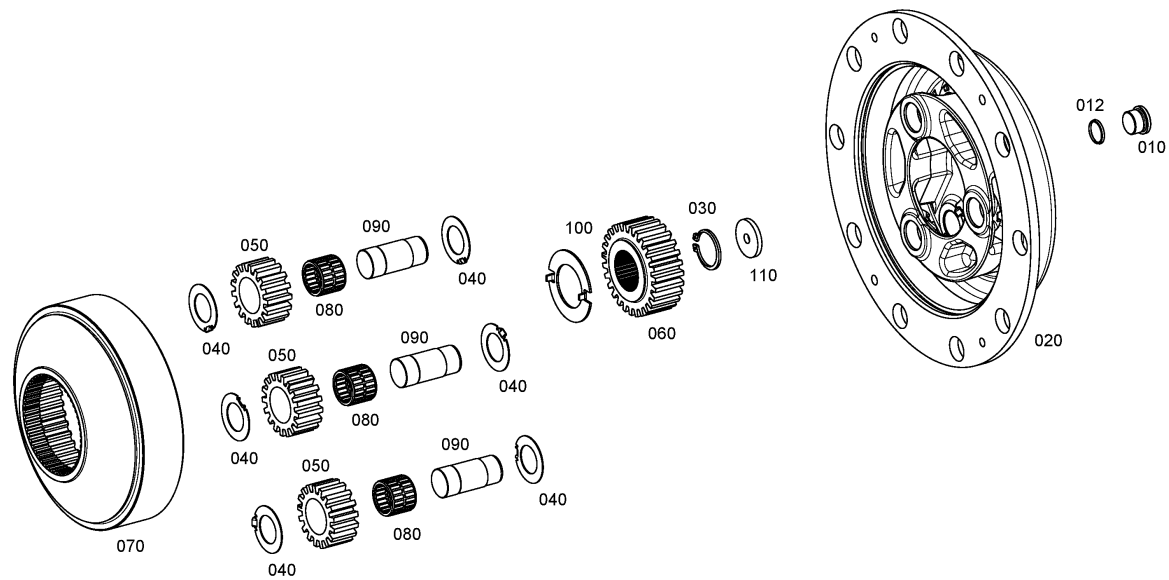
Material number: 4466.062.058

Picture: 446611700101

Material-assembly-group-no: 4466.117.001



APL 90 /
PLANETARY DRIVE



Picture

Page 1 from 1

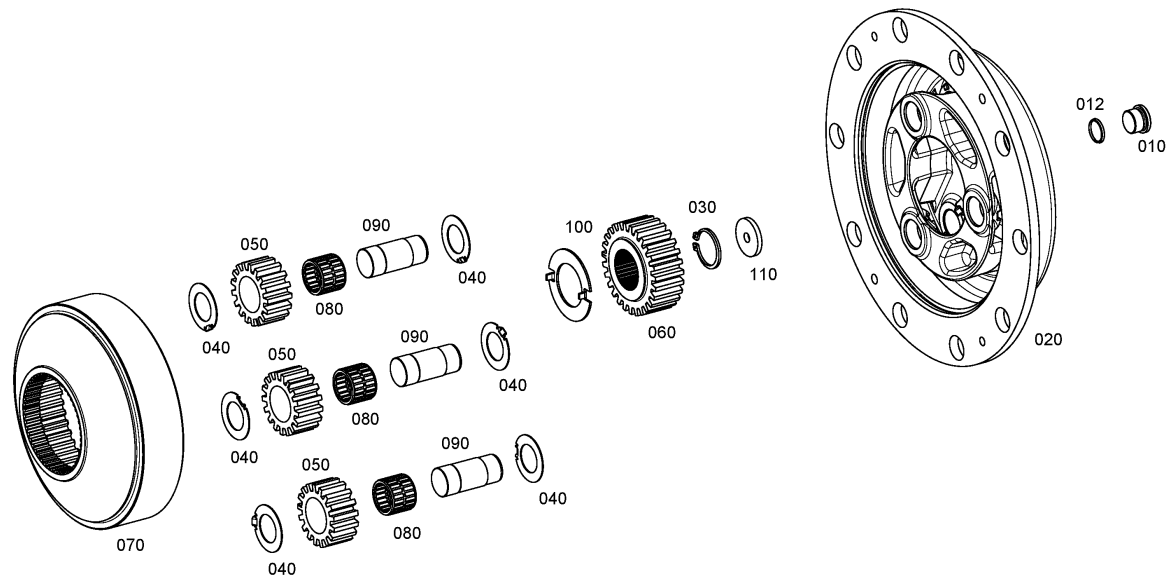
Material number: 4466.062.058

Picture: 446611700101

Material-assembly-group-no: 4466.117.001



APL 90 /
PLANETARY DRIVE



Picture

Page 1 from 2

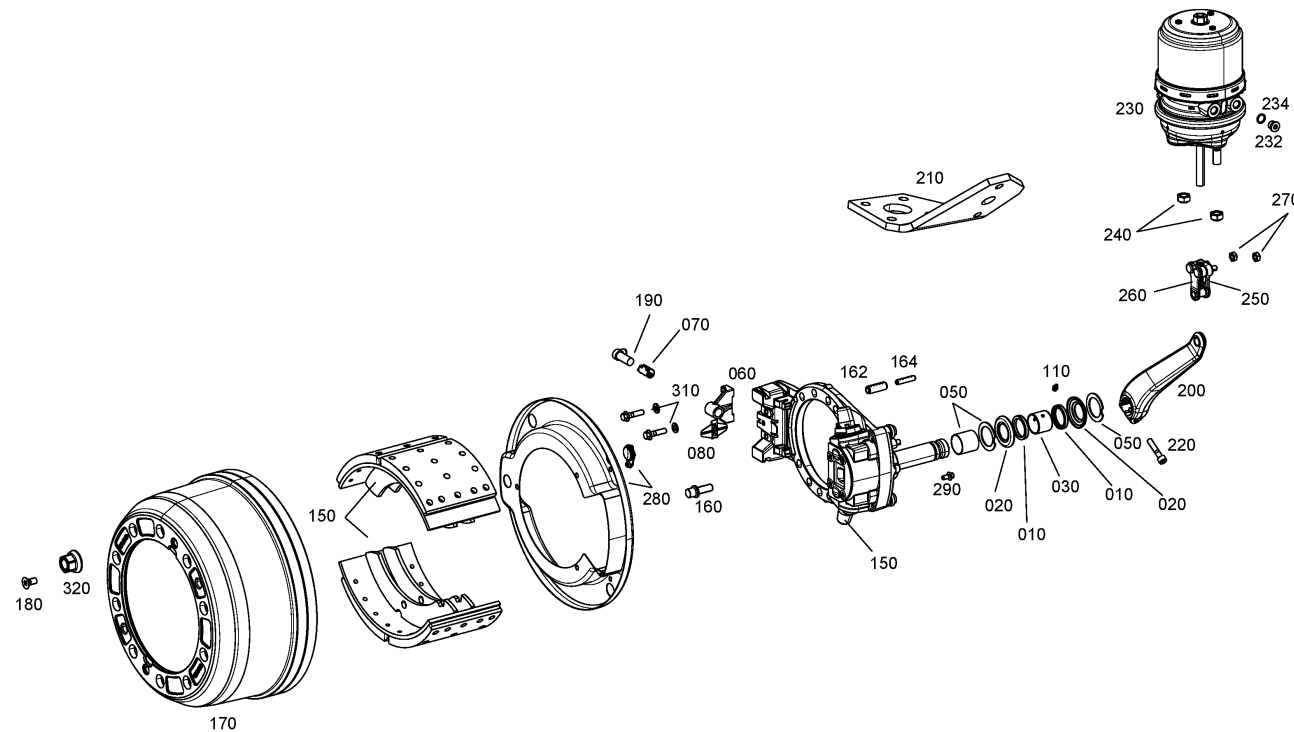
Material number: 4466.062.058

Picture: 446611500501

Material-assembly-group-no: 4466.115.005



APL 90 /
BRAKE



Picture

Page 2 from 2

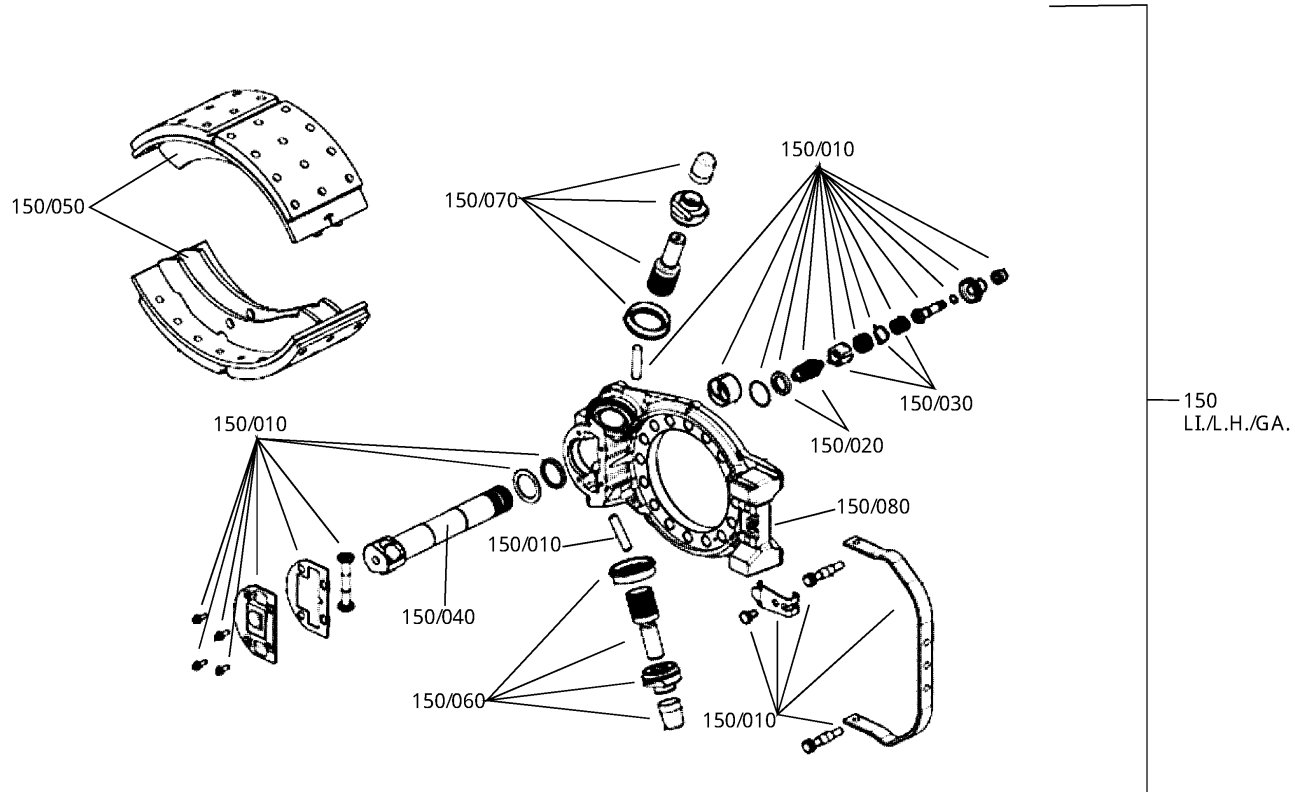
Material number: 4466.062.058

Picture: 446611500502

Material-assembly-group-no: 4466.115.005



APL 90 /
BRAKE



Picture

Page 1 from 2

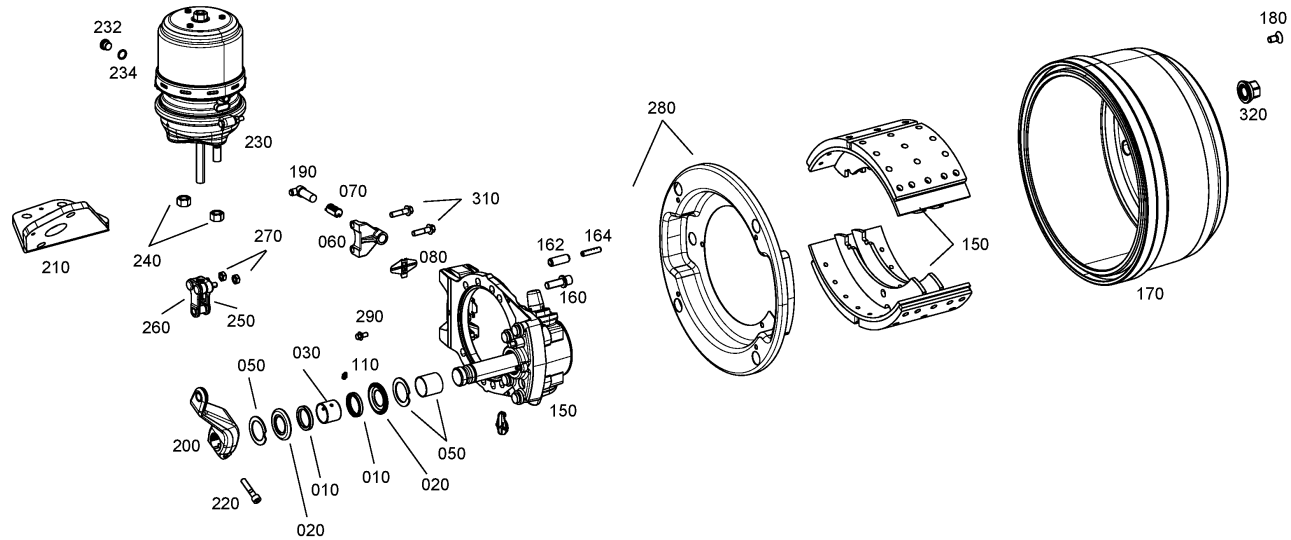
Material number: 4466.062.058

Picture: 446611500601

Material-assembly-group-no: 4466.115.006



APL 90 /
BRAKE



Picture

Page 2 from 2

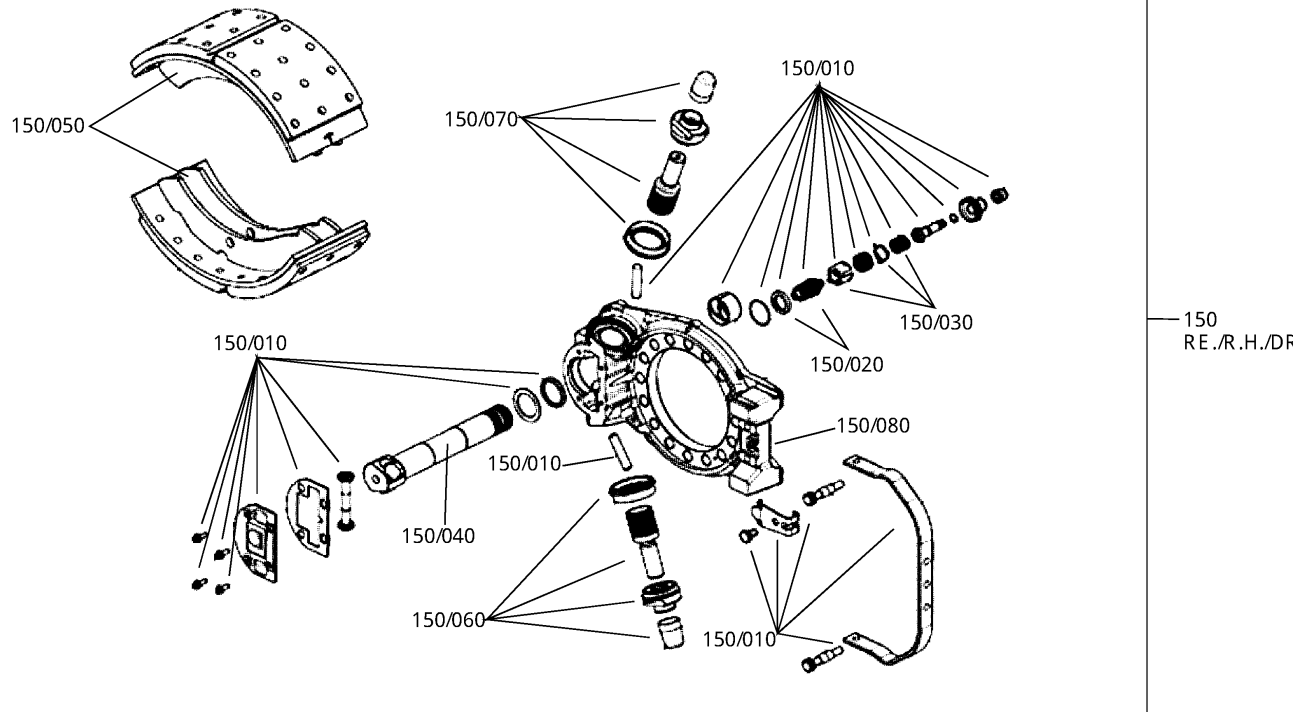
Material number: 4466.062.058

Picture: 446611500602

Material-assembly-group-no: 4466.115.006



APL 90 /
BRAKE



Picture

Page 1 from 1

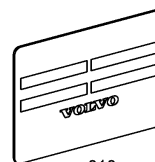
Material number: 4466.062.058

Picture: 446613900200

Material-assembly-group-no: 4466.139.002



APL 90 /
TYPE PLATE



010

Picture

Page 1 from 1

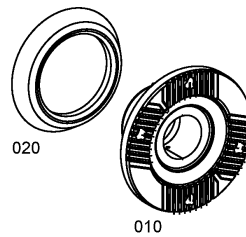
Material number: 4466.072.004

Picture: 446611900100

Material-assembly-group-no: 4466.119.001



APL 90 /
INPUT FLANGE



Picture

Page 1 from 1

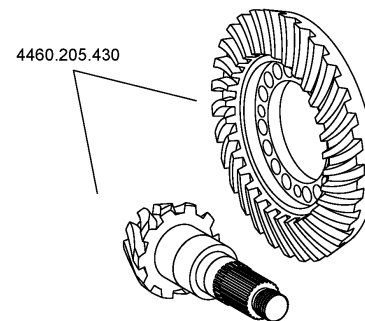
Material number: 4466.072.004

Picture: 446020543000

Material-assembly-group-no: 4460.205.430



APL 90 /
BEVEL GEAR SET



Picture

Page 1 from 1

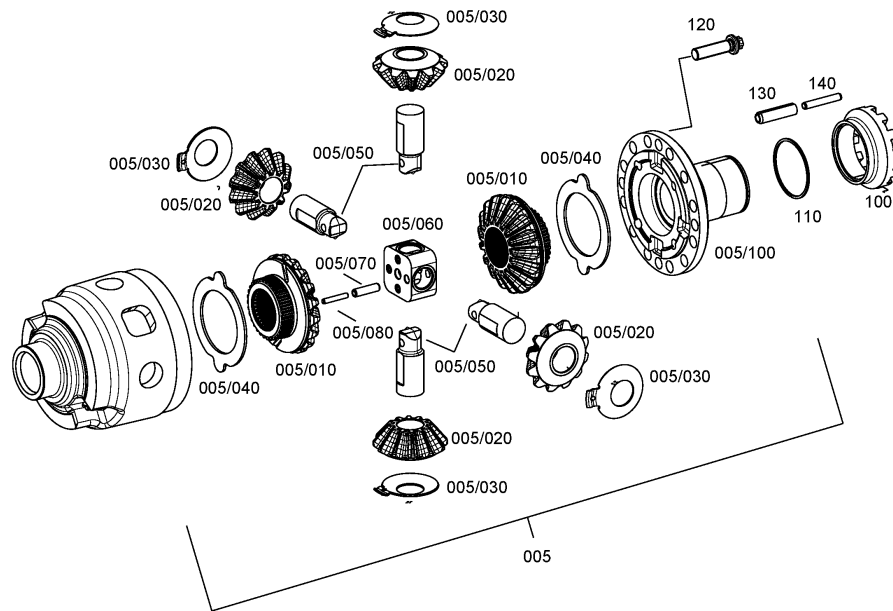
Material number: 4466.072.004

Picture: 446611600300

Material-assembly-group-no: 4466.116.003



APL 90 /
DIFFERENTIAL



Picture

Page 1 from 1

Material number: 4466.072.004

Picture: 446611800200

Material-assembly-group-no: 4466.118.002



APL 90 /
HOUSING

