



# Spare Parts Catalog

MT-G 3085

Material number: 4469.021.012

Current date: 15.09.2020

ZF Friedrichshafen AG  
Hauptverwaltung  
80038 Friedrichshafen  
Deutschland

Telefon: +49 7541 77-0

Telefax: +49 7541 77-908000

[www.zf.com](http://www.zf.com)

zuständiges Werk:  
Passau

# Notes relating to the spare parts catalog

## Setup of the spare parts catalog

- Cover sheet
- Technical Cover (only in SDM print)
- Overview of figures
- Figure
- Associated parts list
- Next figure
- Associated parts list
- ...

## Figure and parts list



## Overview of figures

Bildtafel Figure	Sachnummer Product number	Benennung (Description)	Technische Info Technical info	Description (Benennung)	Menge Quantity	Einheit Unit
068.08.17	1316.170.001	AUSLEGER	WL	SHIFT TURRET	1	Stk
068.08.06	1316.170.031	DECKEL	WL*H-H *VM	COVER	1	Stk
068.08.14	1316.170.808	DECKEL	WL*AUSL+GEH*H-H*HF160N	COVER	1	Stk
08	1316.170.441	ANSCHLUSSTEILE	WL*NG-VORB*RG-SCHL*168N *BAJONETT	CONNECTING PARTS	1	Stk

The "gap" indicates that there is no separate graphics panel (poster) for this assembly  
The parts of this assembly are shown with the same mid-section number on the figure

### 1 Positions and subpositions

Pos.	Sachnummer Product number	Benennung (Description)	Technische Info Technical info	Description (Benennung)	Menge Quantity	Einheit Unit
0370	1315.201.054	RUECKLAUFBOLZEN	KPL.16S151*SG*L= 79	REV.IDLER SHAFT	1	Stk
/0120	0631.329.293	SPANNSTIFT		SLOT. PIN	1	Stk

Positions marked with "/" are the individual items of a completion  
For example: Position 0370 contains a centering pin with the position /0120

### 2 Combinations with standardized parts

Pos.	Sachnummer Product number	Benennung (Description)	Technische Info Technical info	Description (Benennung)	Menge Quantity	Einheit Unit
0630		VERSCHL.SCHR.		SCREW PLUG	1	Stk
	0636.302.067	VERSCHL.SCHR.		SCREW PLUG	1	Stk
	0634.801.249	DICHTRING	A 26 X 31	SEALING RING	1	Stk

The parts list shows the components included in the combination of standardized parts

### 3 Depiction of position/item number on the figure and in the parts list

01.620 - on the figure      01 relates to the assembly in which the position is included. Due to program-related reasons, it is shown on the figure.

0620 - in the parts list

Pos.	Sachnummer Product number	Benennung (Description)	Technische Info Technical info	Description (Benennung)	Menge Quantity	Einheit Unit
0620	0732.040.736	DRUCKFEDER		COMPRESSION SPRING	1	Stk

### 4 \*-Positions

Positions marked with an \* are optional i.e. inclusion in the parts list is not mandatory.  
The following note is shown on the figure

je nach Stücklistenausführung  
depending on spec. number  
\*  
suivant la nomenclature  
secondo la distinta base

### 5 Parts, dotted display

Parts with dotted display on the figure are only used for orientation of other parts

# Technical Cover

Page 1 from 2

Material number: 4469.021.012



MT-G 3085 /

Pos.	Information	Amendment number
	PRODUCT DESCRIPTION: ZF- MULTITRAC-AXLE	
	VEHICLE TYPE: GRADER	
	AXLE TYPE: MT-G 3080	
	DRIVELINE SYSTEM: 2	
	VERSION: RIGID	
	AXLE ARRANGEMENT: REAR AXLE	
	DIRECTION OF ROTATION: CCW	
	CROWN WHEEL POSITION: RIGHT	
	SPIRAL DIRECTION: LEFT	
	INPUT FLANGE: MECH 7 C	
	SPROCKET WHEEL SPLINE: DIN 5480 W80X2X30X38X9H	
	CHAIN DRIVE HSG CONN: LKR=430MM 24XD=22	
	FLANGE TO FLANGE DIM.: 1.250 MM	
	AXLE INSTALLATION: SPRING PAD	
	MOUNTING DIMENSIONS: 850/950X400/500 16 X D=26	
	MAIN DIFFERENTIAL: NON-SLIP DIFFERENTIAL	
	DIFFERENTIAL TYPE/SIZE: DHLD - 1600	
	DIFFERENTIAL LOCK: DIFFERENTIAL LOCK	
	ACTUATION: HYDRAULIC	
	PORT SIZE: 7/16 -20 UNF-2B	
	AXLE RATIO: 3,364	
	PLANETARY DRIVE: WITHOUT	
	BEVEL DRIVE: 3,364	
	PARKING BRAKE : MULTI-DISC BRAKE 236X158X5	
	BRAKE PORT SIZE: 9/16 - 18 UNF 2B	
	OIL FILLING: WITH	
	OIL - GRADE: TE ML 05G (TITAN POWERFLUID)	
	OIL - GRADE ALLOWED: TE ML 05 E/F/G	
	PRIMER PAINT: YELLOW RAL 1006	
	PAINT-FREE AREA: STANDARD GRADER	
	TYPE PLATE: ZF- STANDARD	
	OIL FILL QUANTITY CA: 27,5 L	
	DOCUMENTATION: -----	

# Technical Cover

Page 2 from 2

Material number: 4469.021.012



MT-G 3085 /

Pos.	Information	Amendment number
	SECTION DRAWING: 4469 021 005	
	INSTALLATION DRAWING: 4469 621 004	
	TESTING INSTRUCTION: 4469 760 001	

# Assembly group overview

Page 1 from 1

Material number: 4469.021.012



MT-G 3085 /

Graphics	Pos.	Material number	Name	Quantity	Amend. no.	Techn. Info.
446911600300	10	4469.116.003	INPUT	1		
446911640000	20	4469.116.400	INPUT	1		
448117103150	30	4481.171.031	LIM.SLIP DIFF.	1		
446911700400	70	4469.117.004	AXLE CASING	1		
446911740150	80	4469.117.401	AXLE CASING	1		
446911900300	130	4469.119.003	OUTPUT	1		
446911940200	140	4469.119.402	OUTPUT	1		
446912100100	150	4469.121.001	MULTIDISK BRAKE	1		

# Plant

Page 1 from 1

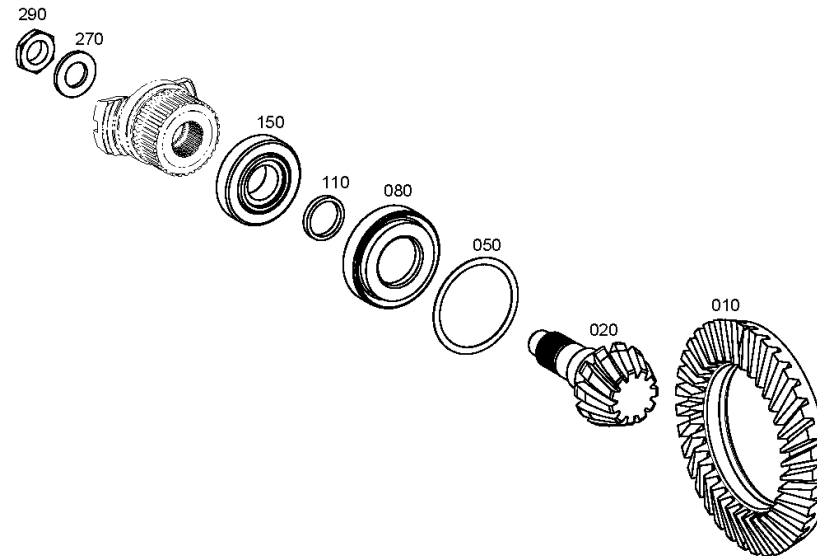
Material number: 4469.021.012

Plant: 446911600300

Material-assembly-group-no: 4469.116.003



MT-G 3085 /  
INPUT



# Plant

Page 1 from 1

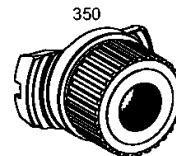
Material number: 4469.021.012

Plant: 446911640000

Material-assembly-group-no: 4469.116.400



MT-G 3085 /  
INPUT



# Plant

Page 1 from 1

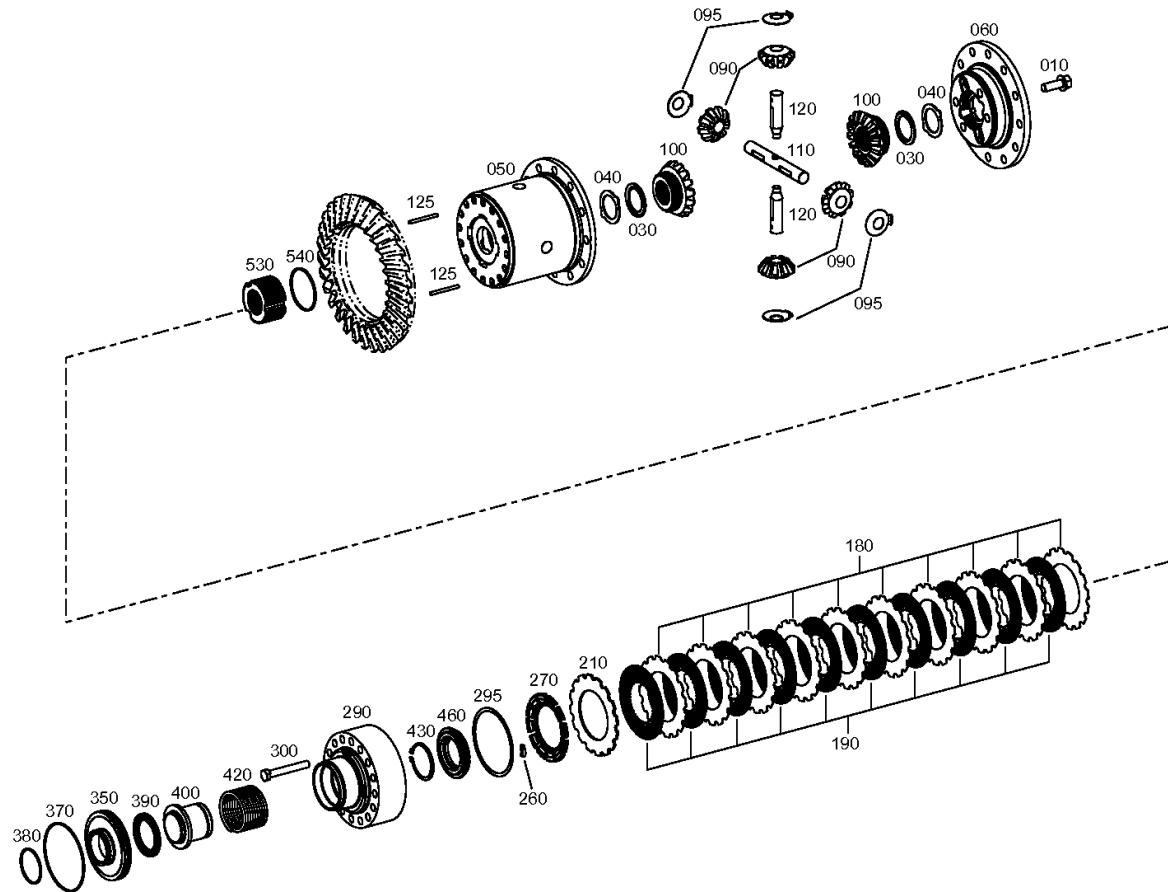
Material number: 4469.021.012

Plant: 448117103150

Material-assembly-group-no: 4481.171.031



MT-G 3085 /  
LIM.SLIP DIFF.





# Plant

Page 1 from 1

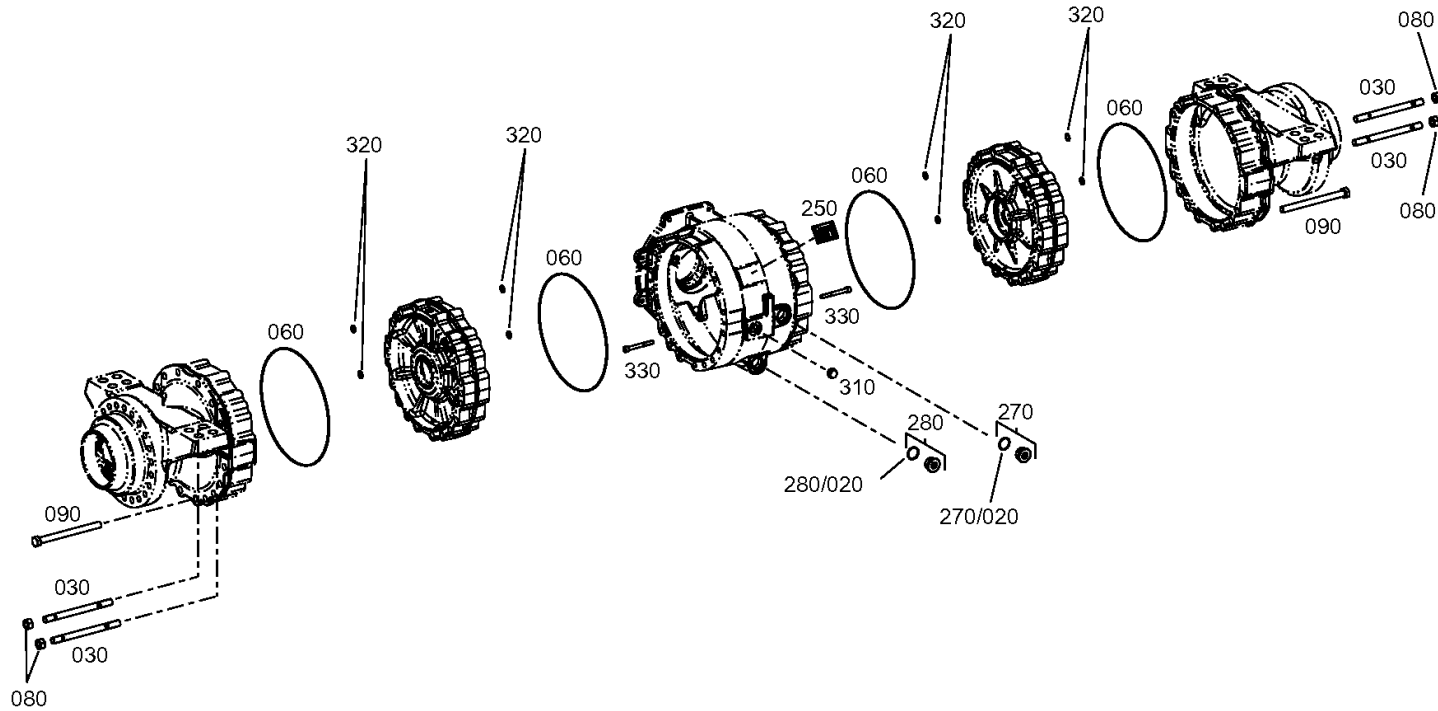
Material number: 4469.021.012

Plant: 446911700400

Material-assembly-group-no: 4469.117.004



MT-G 3085 /  
AXLE CASING



# Plant

Page 1 from 1

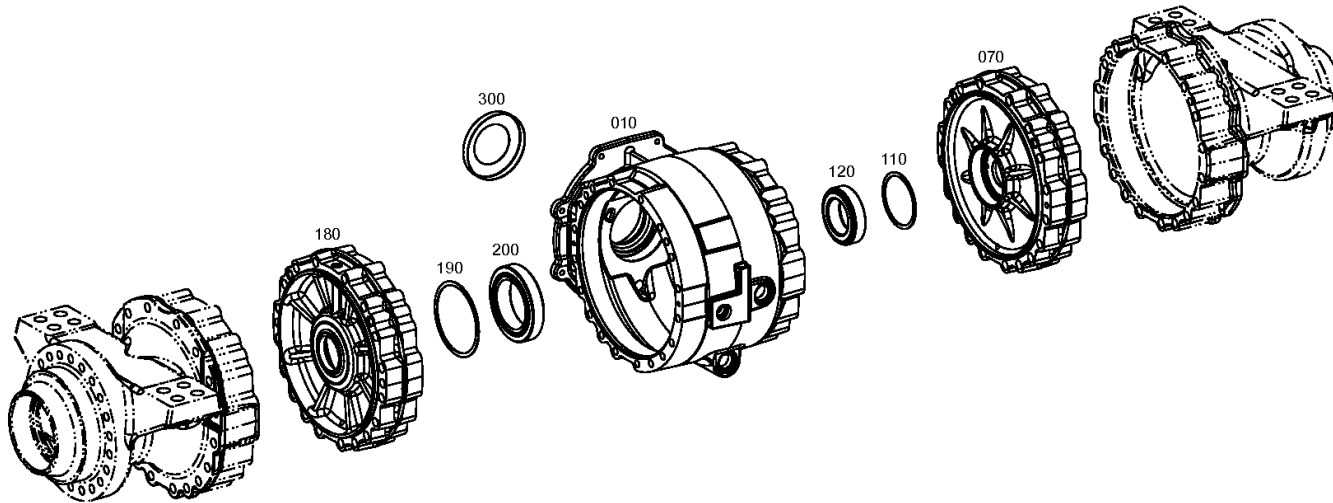
Material number: 4469.021.012

Plant: 446911740150

Material-assembly-group-no: 4469.117.401



MT-G 3085 /  
AXLE CASING



# Plant

Page 1 from 1

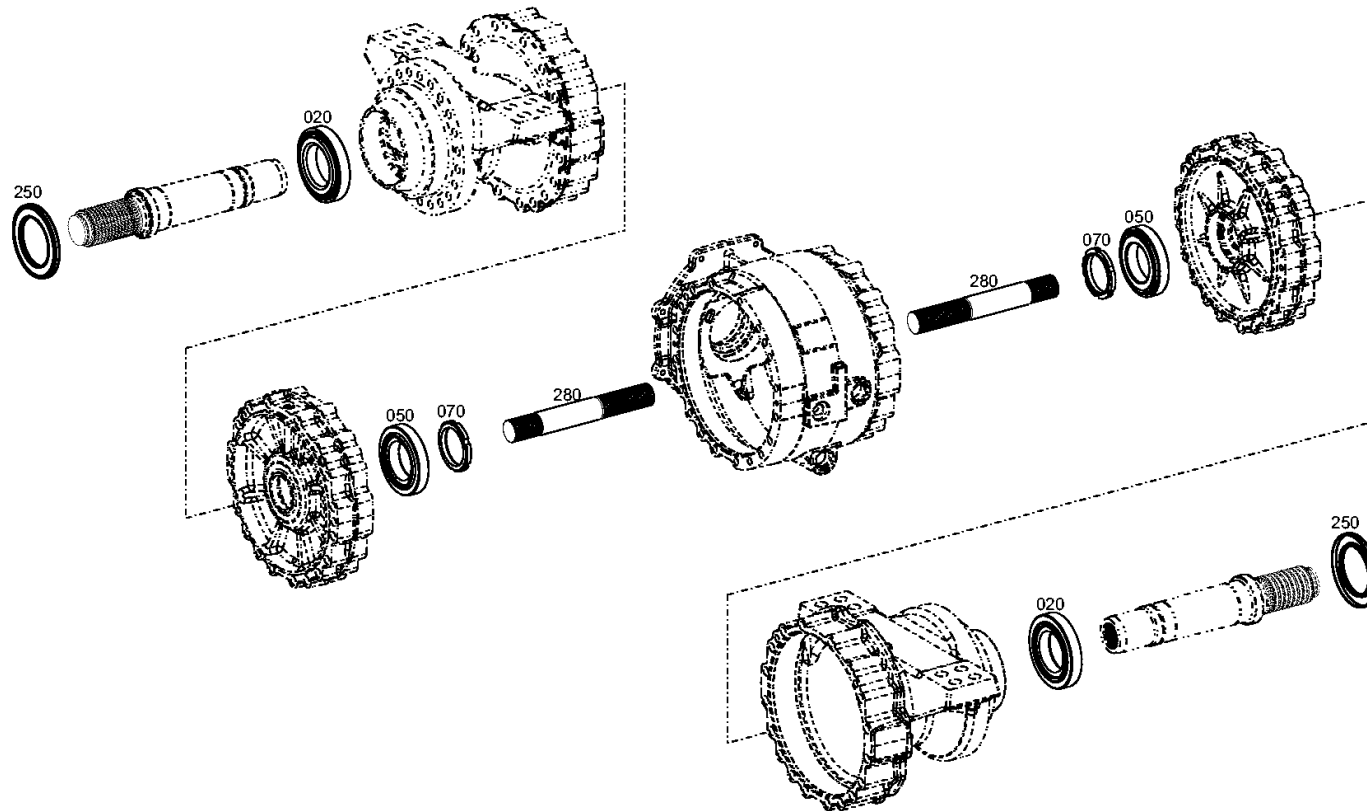
Material number: 4469.021.012

Plant: 446911900300

Material-assembly-group-no: 4469.119.003



MT-G 3085 /  
OUTPUT



# Plant

Page 1 from 1

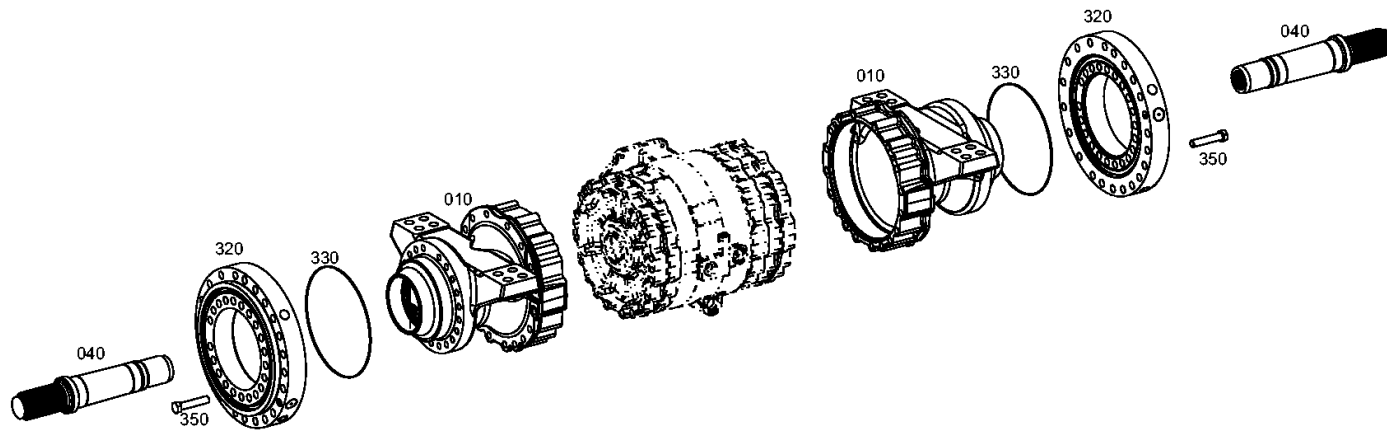
Material number: 4469.021.012

Plant: 446911940200

Material-assembly-group-no: 4469.119.402



MT-G 3085 /  
OUTPUT



# Plant

Page 1 from 1

Material number: 4469.021.012

Plant: 446912100100

Material-assembly-group-no: 4469.121.001



MT-G 3085 /  
MULTIDISK BRAKE

