



Spare Parts Catalog

AP-B 765

Material number: 4472.020.049

Current date: 18.08.2016

ZF Friedrichshafen AG
Hauptverwaltung
80038 Friedrichshafen
Deutschland

Telefon: +49 7541 77-0

Telefax: +49 7541 77-908000

www.zf.com

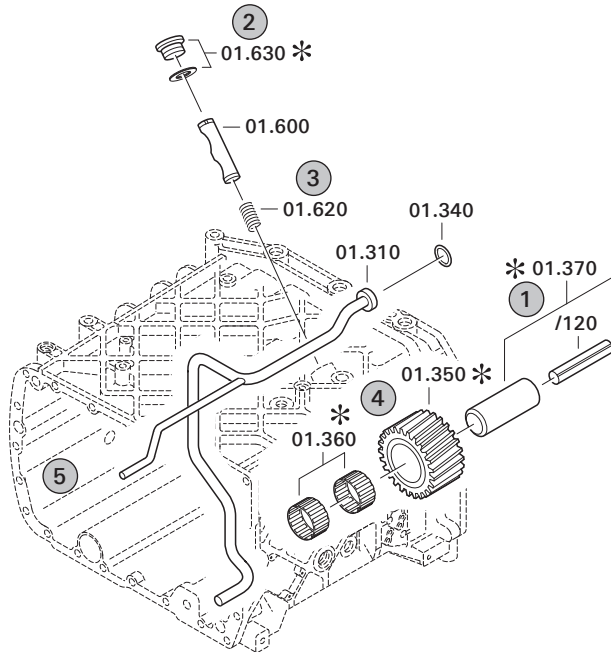
zuständiges Werk:
Passau

Notes relating to the spare parts catalog

Setup of the spare parts catalog

- Cover sheet
- Technical Cover (only in SDM print)
- Overview of figures
- Figure
- Associated parts list
- Next figure
- Associated parts list
- ...

Figure and parts list



Overview of figures

Bildtafel Figure	Sachnummer Product number	Benennung (Description)	Technische Info Technical info	Description (Benennung)	Menge Quantity	Einheit Unit
068.08.17	1316.170.001	AUSLEGER	WL	SHIFT TURRET	1	Stk
068.08.06	1316.170.031	DECKEL	WL*H-H *VM	COVER	1	Stk
068.08.14	1316.170.808	DECKEL	WL*AUSL+GEH*H-H*HF160N	COVER	1	Stk
08	1316.170.441	ANSCHLUSSTEILE	WL*NG-VORB*RG-SCHL*168N *BAJONETT	CONNECTING PARTS	1	Stk

The "gap" indicates that there is no separate graphics panel (poster) for this assembly
The parts of this assembly are shown with the same mid-section number on the figure

1 Positions and subpositions

Pos.	Sachnummer Product number	Benennung (Description)	Technische Info Technical info	Description (Benennung)	Menge Quantity	Einheit Unit
0370	1315.201.054	RUECKLAUFBOLZEN	KPL.16S151*SG*L= 79	REV.IDLER SHAFT	1	Stk
/0120	0631.329.293	SPANNSTIFT		SLOT. PIN	1	Stk

Positions marked with "/" are the individual items of a completion
For example: Position 0370 contains a centering pin with the position /0120

2 Combinations with standardized parts

Pos.	Sachnummer Product number	Benennung (Description)	Technische Info Technical info	Description (Benennung)	Menge Quantity	Einheit Unit
0630		VERSCHL.SCHR.		SCREW PLUG	1	Stk
	0636.302.067	VERSCHL.SCHR.		SCREW PLUG	1	Stk
	0634.801.249	DICHTRING	A 26 X 31	SEALING RING	1	Stk

The parts list shows the components included in the combination of standardized parts

3 Depiction of position/item number on the figure and in the parts list

01.620 - on the figure 01 relates to the assembly in which the position is included. Due to program-related reasons, it is shown on the figure.

0620 - in the parts list

Pos.	Sachnummer Product number	Benennung (Description)	Technische Info Technical info	Description (Benennung)	Menge Quantity	Einheit Unit
0620	0732.040.736	DRUCKFEDER		COMPRESSION SPRING	1	Stk

4 *-Positions

Positions marked with an * are optional i.e. inclusion in the parts list is not mandatory.
The following note is shown on the figure

je nach Stücklistenausführung
depending on spec. number
*
suivant la nomenclature
secondo la distinta base

5 Parts, dotted display

Parts with dotted display on the figure are only used for orientation of other parts

Technical Cover

Page 1 from 2

Material number: 4472.020.049



AP-B 765 /

Pos.	Information	Amendment number
	COSTUMER:DOOSAN;KOREA	
	IDENT-NR:2211 9422 A	
	QUESTIONNAIRE:	
	PROJEKT-NO.:03932	
	VEHICLE DATA:	
	MOBILE EXCAVATOR DH 200 W	
	DUAL TIRES: DOUBLE	
	TIRES: 10.00-20	
	RIM PITCH CIRCLE DIA: 335 MM	
	AXLE ARRANGEMENT: REAR AXLE	
	RATIO TOTAL: I=14,17	
	PLANETARY DRIVE:I=6,40 P3-245-52	
	BEVELGEAR SET: I= 2,21 T=31/14	
	MOUNTING: L=1100	
	FLANGE DISTANCE: L=1850	
	BRAKE:	
	MULTILPE-DISC BRAKE: HYDR. 230X160	
	LINING DISC: 3 PIECES	
	INPUT:	
	TYPE: BK	
	SENS OF ROTATION:COUNTER CLOCKWISE	
	RING GEAR: SPIRAL DIRECTION LEFT	
	POSITION OF RING GEAR: LEFT	
	FLANGE CONN: AD=120 *LZ=8 * D=10,1	
	DIFFERENTIAL:	
	TYPE: BK	
	BEVEL SIDE GEAR SPLINE: N 38X1,25	
	DRAWINGS:	
	SECT.DRAWING: 4472 020 018()	
	INST.DRAWING: 4472 620 055()	
	TR.FORCE DIAGRAM: 4143 701 250()	
	TEST SPECIFICATION: 4472 760 014(0)	
	ASSEMBLY INSTRUCTION:	

Technical Cover

Page 2 from 2

Material number: 4472.020.049



AP-B 765 /

Pos.	Information	Amendment number
	PISTON STROKE 2,4-2,8 MM	
	OIL CAPACITY:	
	AXLE: CA.13,00L	
	PLANETARY DRIVE: (APPRX) 2,00L	
	GESAMT: CA. 17,00L	
	OIL FILLING: YES	
	OIL SPECIFICATION: TE ML 05	
	BRAKE CONTROL: ATF-OIL/MOTOROIL 10 W	
	WEIGHT-TOTAL: ...KG	
	COLOUR: 5 BLACK RAL 9005	
	PACKING:	
	*	

Assembly group overview

Page 1 from 1

Material number: 4472.020.049



AP-B 765 /

Graphics	Pos.	Material number	Name	Quantity	Amend. no.	Techn. Info.
447211722100	20	4472.117.065	AXLE CASING	1		
447211746200	30	4472.117.462	AXLE CASING	1		
447212203800	140	4472.122.038	HUB CARRIER	1		
447211909901	126	4472.119.142	OUTPUT	1		
447211909902	130	4472.119.519	OUTPUT	1		
	10	4460.055.254	AXLE INSERT	1		
446015506100	10	4460.155.061	HOUSING	1		
446015541800	400	4460.155.418	INPUT FLANGE	1		
446025538800	500	4460.255.388	BEVEL GEAR SET	1		
446115300800	550	4461.153.046	DIFFERENTIAL	1		

Plant

Page 1 from 1

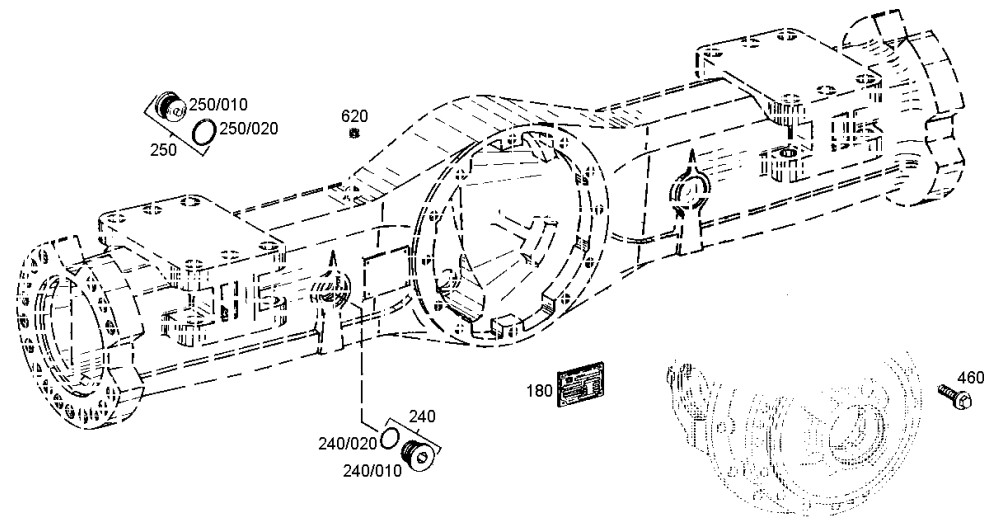
Material number: 4472.020.049

Plant: 447211722100

Material-assembly-group-no: 4472.117.065



AP-B 765 /
AXLE CASING



Plant

Page 1 from 1

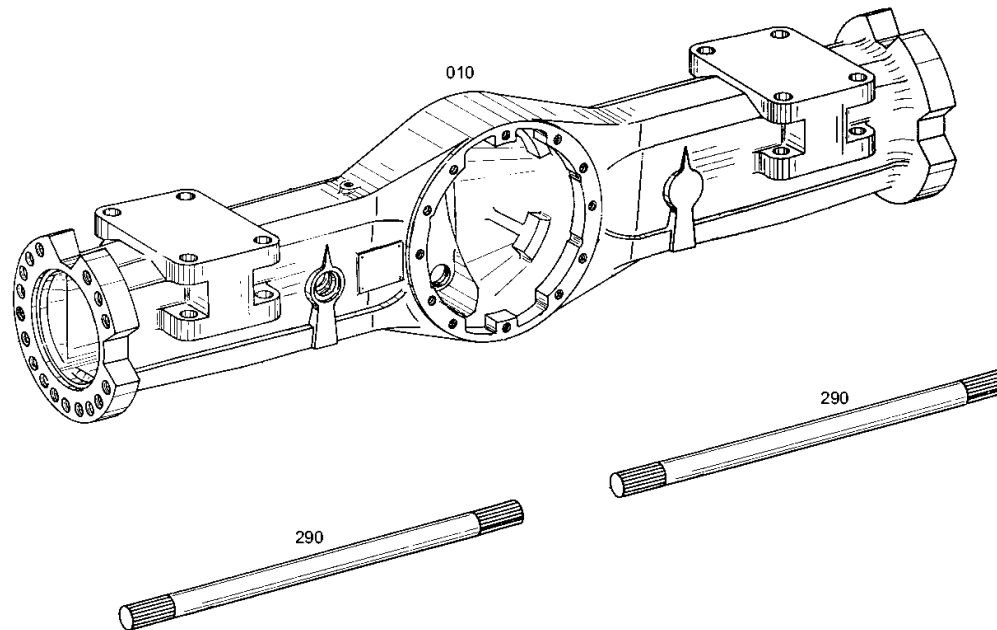
Material number: 4472.020.049

Plant: 447211746200

Material-assembly-group-no: 4472.117.462



AP-B 765 /
AXLE CASING



Plant

Page 1 from 1

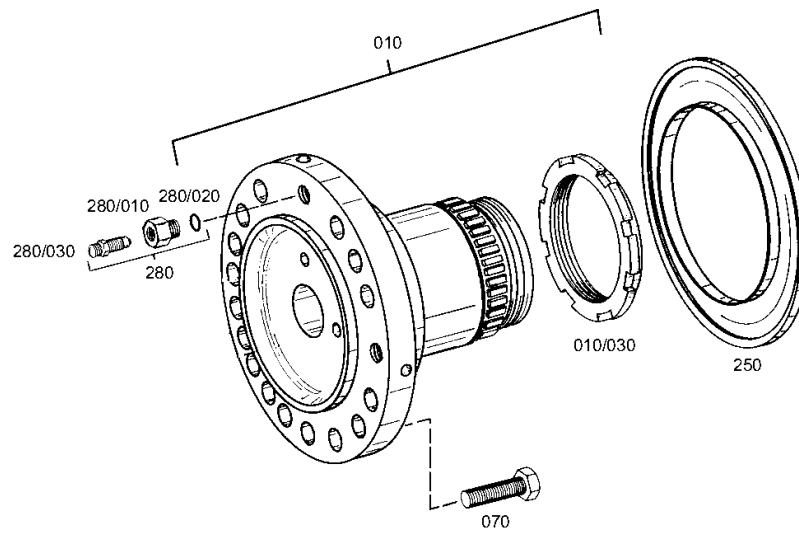
Material number: 4472.020.049

Plant: 447212203800

Material-assembly-group-no: 4472.122.038



AP-B 765 /
HUB CARRIER



Plant

Page 1 from 1

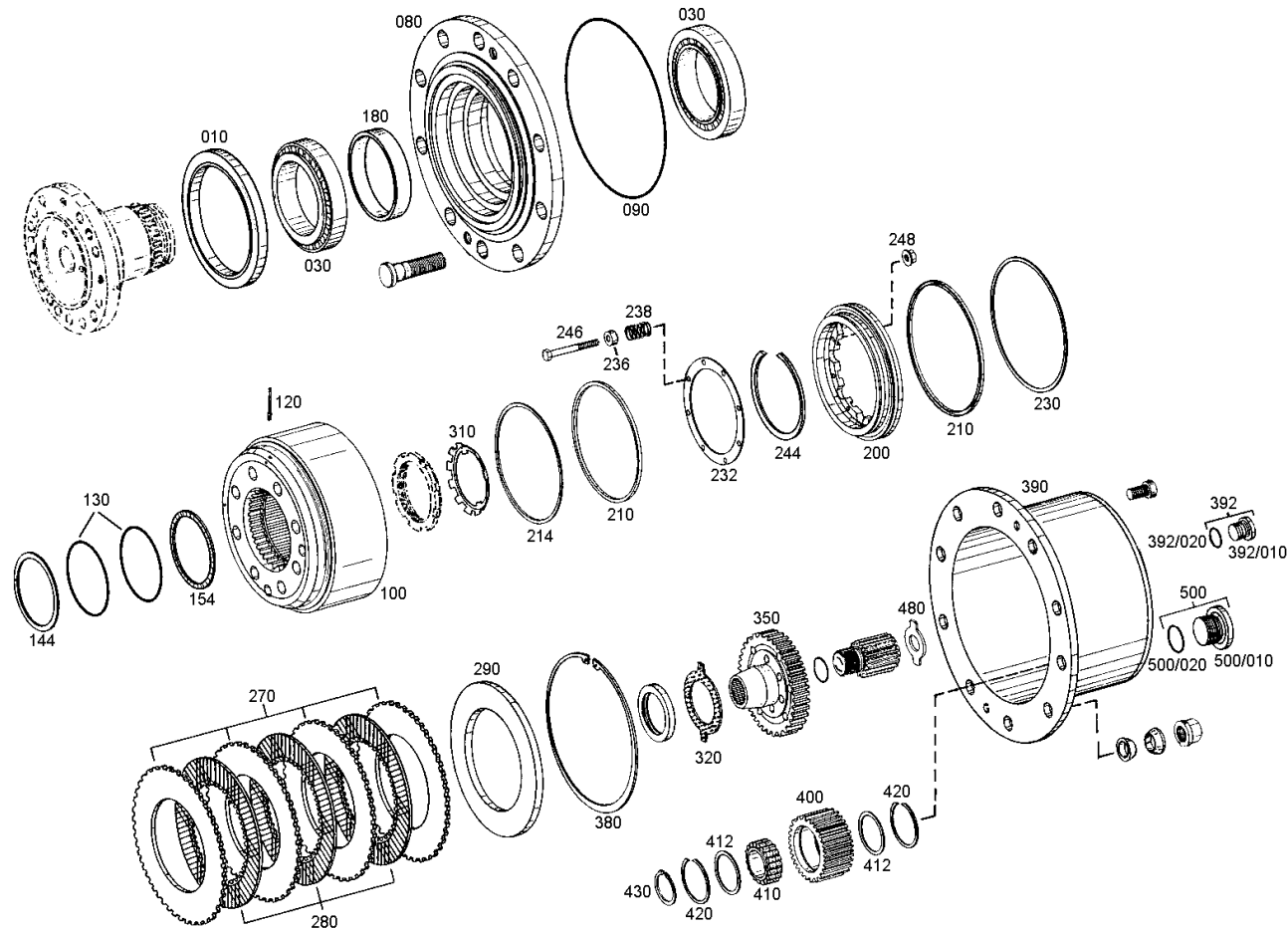
Material number: 4472.020.049

Plant: 447211909901

Material-assembly-group-no: 4472.119.142



AP-B 765 /
OUTPUT



Plant

Page 1 from 1

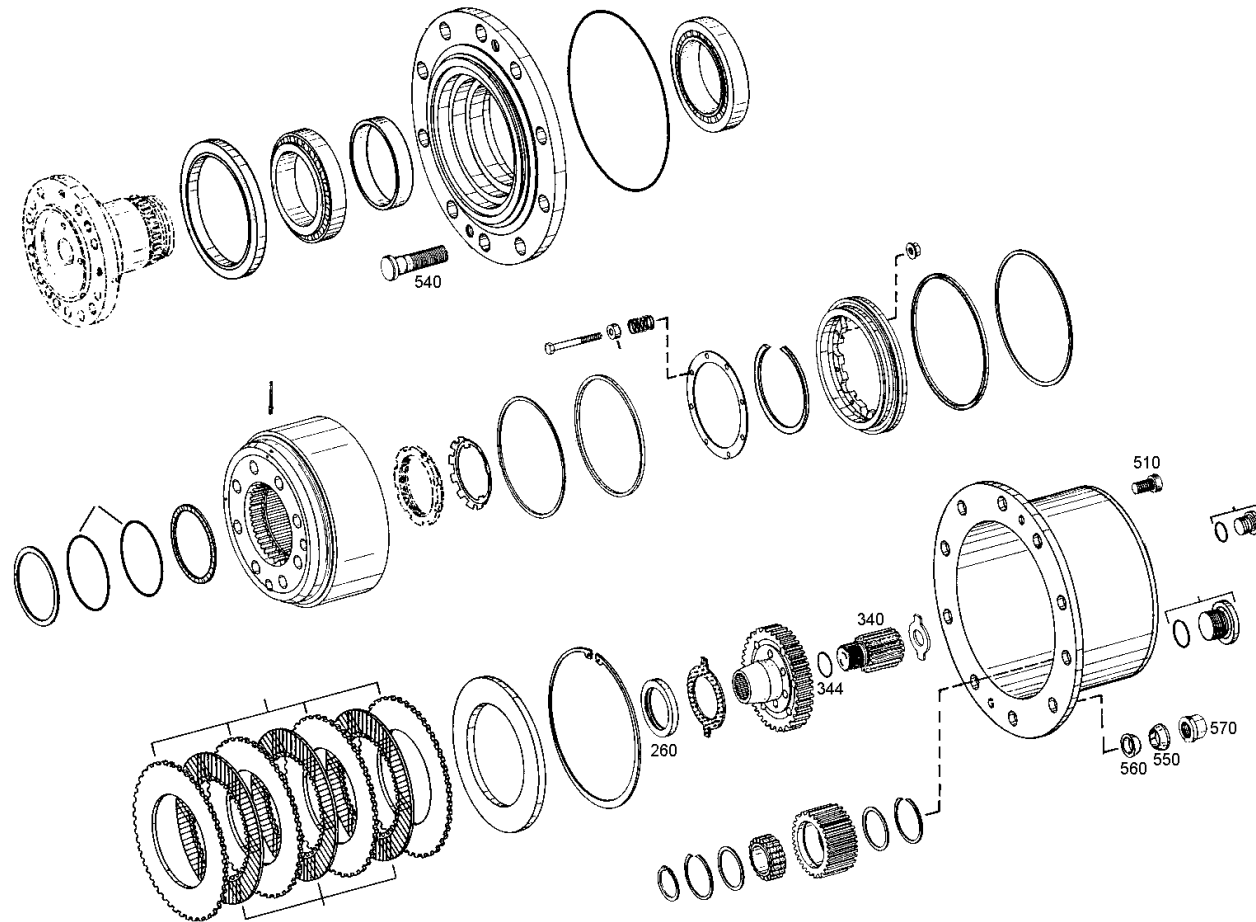
Material number: 4472.020.049

Plant: 447211909902

Material-assembly-group-no: 4472.119.519



AP-B 765 /
OUTPUT



Plant

Page 1 from 1

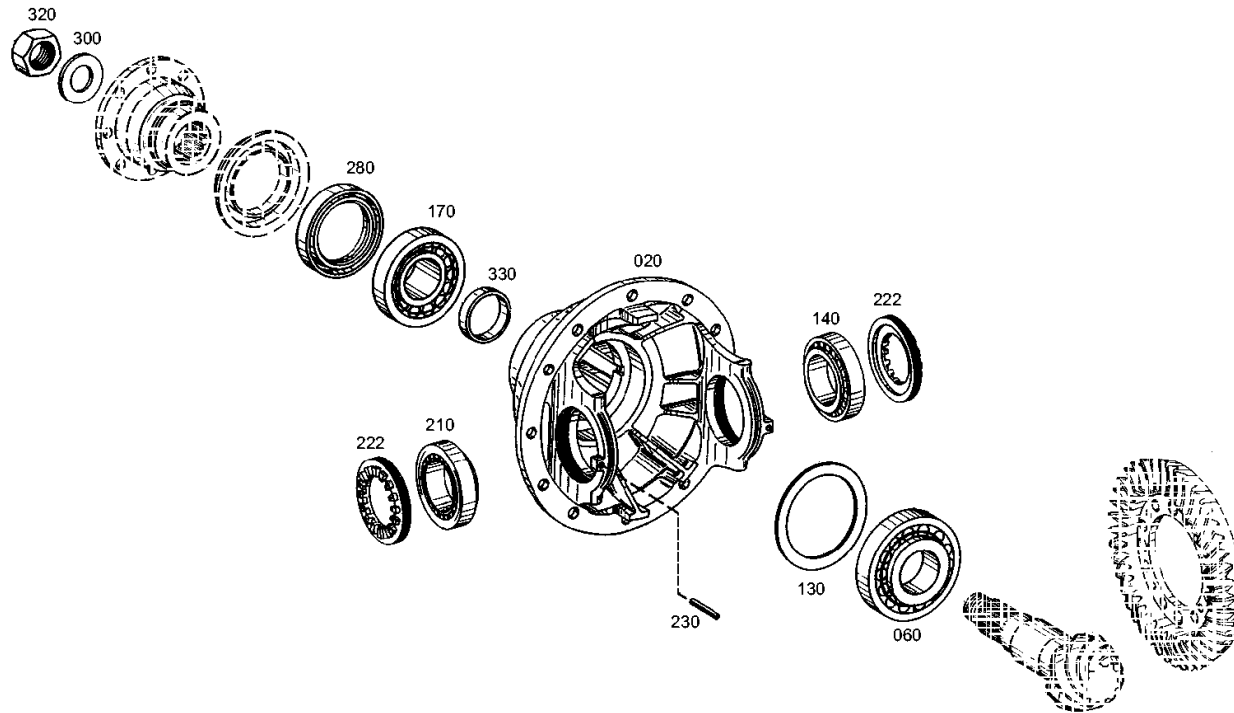
Material number: 4472.020.049

Plant: 446015506100

Material-assembly-group-no: 4460.155.061



AP-B 765 /
HOUSING



Plant

Page 1 from 1

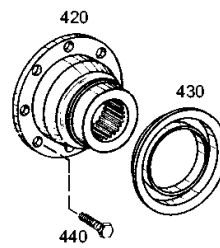
Material number: 4472.020.049

Plant: 446015541800

Material-assembly-group-no: 4460.155.418



AP-B 765 /
INPUT FLANGE



Plant

Page 1 from 1

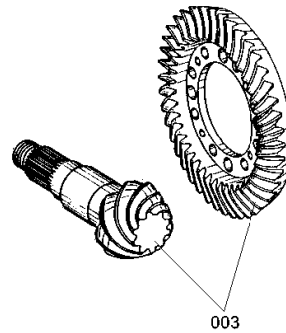
Material number: 4472.020.049

Plant: 446025538800

Material-assembly-group-no: 4460.255.388



AP-B 765 /
BEVEL GEAR SET



Plant

Page 1 from 1

Material number: 4472.020.049

Plant: 446115300800

Material-assembly-group-no: 4461.153.046



AP-B 765 /
DIFFERENTIAL

