



# Spare Parts Catalog

AP B755HD2HL100

Material number: 4472.022.508

Current date: 03.05.2018

ZF Friedrichshafen AG  
Hauptverwaltung  
80038 Friedrichshafen  
Deutschland

Telefon: +49 7541 77-0

Telefax: +49 7541 77-908000

[www.zf.com](http://www.zf.com)

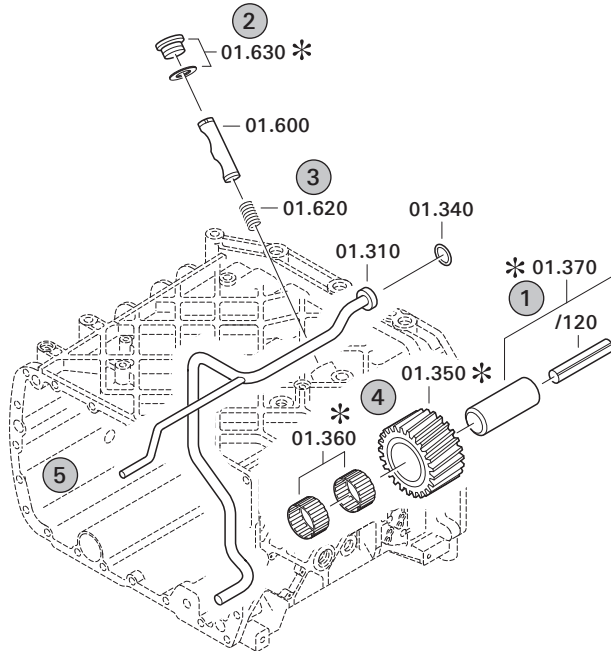
zuständiges Werk:  
Passau

# Notes relating to the spare parts catalog

## Setup of the spare parts catalog

- Cover sheet
- Technical Cover (only in SDM print)
- Overview of figures
- Figure
- Associated parts list
- Next figure
- Associated parts list
- ...

## Figure and parts list



## Overview of figures

Bildtafel Figure	Sachnummer Product number	Benennung (Description)	Technische Info Technical info	Description (Benennung)	Menge Quantity	Einheit Unit
068.08.17	1316.170.001	AUSLEGER	WL	SHIFT TURRET	1	Stk
068.08.06	1316.170.031	DECKEL	WL*H-H *VM	COVER	1	Stk
068.08.14	1316.170.808	DECKEL	WL*AUSL+GEH*H-H*HF160N	COVER	1	Stk
08	1316.170.441	ANSCHLUSSTEILE	WL*NG-VORB*RG-SCHL*168N *BAJONETT	CONNECTING PARTS	1	Stk

The "gap" indicates that there is no separate graphics panel (poster) for this assembly  
The parts of this assembly are shown with the same mid-section number on the figure

### 1 Positions and subpositions

Pos.	Sachnummer Product number	Benennung (Description)	Technische Info Technical info	Description (Benennung)	Menge Quantity	Einheit Unit
0370	1315.201.054	RUECKLAUFBOLZEN	KPL.16S151*SG*L= 79	REV.IDLER SHAFT	1	Stk
/0120	0631.329.293	SPANNSTIFT		SLOT. PIN	1	Stk

Positions marked with "/" are the individual items of a completion  
For example: Position 0370 contains a centering pin with the position /0120

### 2 Combinations with standardized parts

Pos.	Sachnummer Product number	Benennung (Description)	Technische Info Technical info	Description (Benennung)	Menge Quantity	Einheit Unit
0630		VERSCHL.SCHR.		SCREW PLUG	1	Stk
	0636.302.067	VERSCHL.SCHR.		SCREW PLUG	1	Stk
	0634.801.249	DICHTRING	A 26 X 31	SEALING RING	1	Stk

The parts list shows the components included in the combination of standardized parts

### 3 Depiction of position/item number on the figure and in the parts list

01.620 - on the figure      01 relates to the assembly in which the position is included. Due to program-related reasons, it is shown on the figure.

0620 - in the parts list

Pos.	Sachnummer Product number	Benennung (Description)	Technische Info Technical info	Description (Benennung)	Menge Quantity	Einheit Unit
0620	0732.040.736	DRUCKFEDER		COMPRESSION SPRING	1	Stk

### 4 \*-Positions

Positions marked with an \* are optional i.e. inclusion in the parts list is not mandatory.  
The following note is shown on the figure

je nach Stücklistenausführung  
depending on spec. number  
\*  
suivant la nomenclature  
secondo la distinta base

### 5 Parts, dotted display

Parts with dotted display on the figure are only used for orientation of other parts

# Technical Cover

Page 1 from 2

Material number: 4472.022.508



AP B755HD2HL100 /

Pos.	Information	Amendment number
	PROJEKT-NR.:46683	
	IDENT-NO.: WITHOUT	
	APPROVAL: .....	
	QUESTIONNAIRE:	
	PROJEKT-NR.:50381	
	VEHICLE DATA:	
	MOBILBAGGER CFX 180W	
	MOTOR: A6VM 140 HYDROMOTOR	
	TRANSMISSION: 2 HL 100	
	DUAL TIRES: DOUBLE	
	TIRES: 10.00-20	
	R.DYN. 0,507 M	
	RIM PITCH CIRCLE DIA: 335 MM	
	MAX.SPEED: 35,0 KM/H	
	PRODUCT DESCRIPTION:	
	AXLE ARRANGEMENT: REAR AXLE	
	UEBERSETZUNG GES:I= 14,78	
	PLANETARY DRIVE:I=6,40 P3-245-52	
	BEVELGEAR SET: I= 2,31 T=30/13	
	MOUNTING: L=1100	
	FLANGE DISTANCE: L=1920	
	BRAKE:	
	LAM.BR.: HYDR: 232X154	
	LIN.CLUTCH DISC: THREE PART	
	DIFF.CARRIER:	
	TYPE: AE 500	
	SENS OF ROTATION:COUNTER CLOCKWISE	
	RING GEAR: SPIRAL DIRECTION LEFT	
	POSITION OF RING GEAR: LEFT	
	FLANGE CONN: AD=120 *LZ=8 * D=10,1	
	DIFFERENTIAL:	
	TYPE: D=500	
	BEVEL SIDE GEAR SPLINE: N 35X1,25	

# Technical Cover

Page 2 from 2

Material number: 4472.022.508



AP B755HD2HL100 /

Pos.	Information	Amendment number
	DRAWINGS:	
	SCHNITT: 4472 022 502(0)	
	EINBAU: 4472 622 507(0)	
	TEST SPECIFICATION: 4472 760 014(0)	
	INSTALLATION INSTRUCTION: 4472 700 021	
	ASSEMBLY INSTRUCTION:	
	PISTON STROKE 2,4-2,8 MM	
	INSTALLATION POSITION:2 HL-100 0-DEGREE UPWARDS	
	2 HL 100 I1=5,35 (GES.I=79,073)	
	2 HL 100 I2=1,39 (GES.I=20,544)	
	AUXILIARY UNIT	
	OIL CAPACITY:	
	AXLE: (APPRX) CA. 9,00L	
	PLANETARY DRIVE: (APPRX) 2,00L	
	TOTAL: CA.15.00L	
	OIL FILLING: YES	
	OIL GRADE:SPECIFICATION TE ML 05 / AXLE	
	OIL SPECIF.LIST OF LUBRIC. TE ML 07 / 2 HL 100	
	BRAKE CONTROL: ATF-OIL/MOTOROIL 10 W	
	GESAMT-TROCKENMASSE: 570KG	
	COLOUR: 5 BLACK RAL 9005	
	MISCELLANEOUS/REMARKS:	
	TYPE/ SERIAL NUMBER/ PART LIST NUMBER AND	
	OIL SPECIFICATION IN NAME PLATE	

# Assembly group overview

Page 1 from 1



Material number: 4472.022.508

AP B755HD2HL100 /

Graphics	Pos.	Material number	Name	Quantity	Amend. no.	Techn. Info.
	150	4143.000.191	2 HL 100	1		
447211703000	70	4472.117.030	AXLE CASING	1		
447211712102	80	4472.117.685	AXLE CASING	1		
447212200400	120	4472.122.056	HUB CARRIER	1		
447211900801	130	4472.119.186	OUTPUT	1		
447211944300	140	4472.119.443	OUTPUT	1		

# Plant

Page 1 from 1

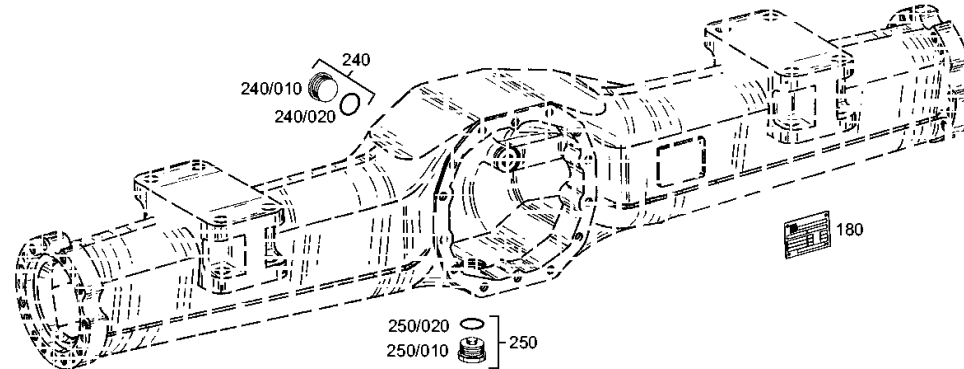
Material number: 4472.022.508

Plant: 447211703000

Material-assembly-group-no: 4472.117.030



AP B755HD2HL100 /  
AXLE CASING



# Plant

Page 1 from 1

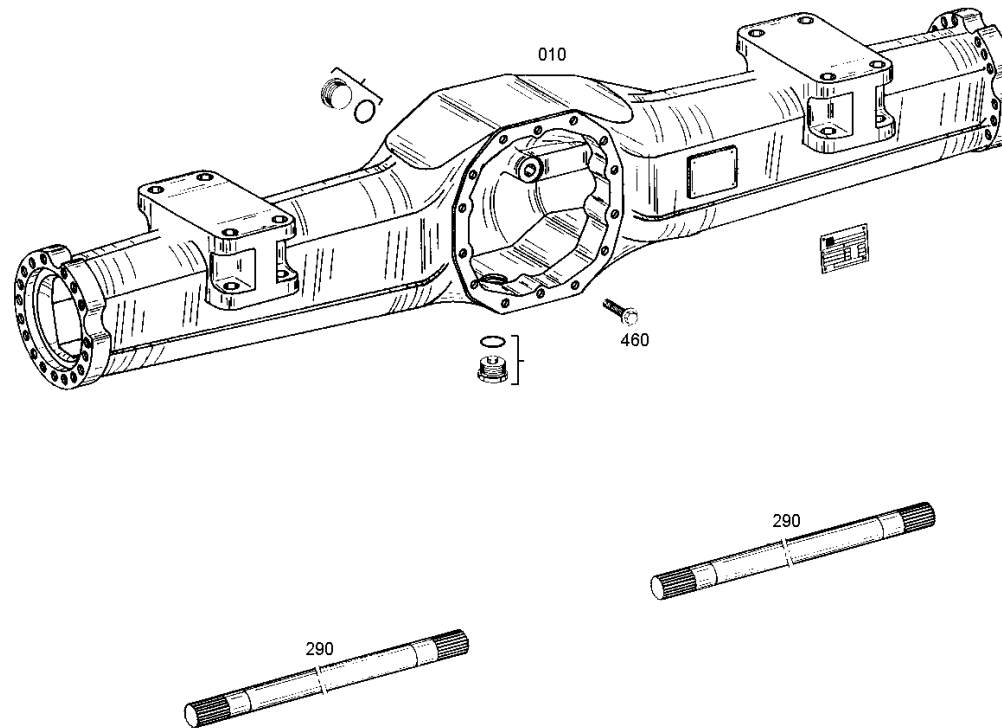
Material number: 4472.022.508

Plant: 447211712102

Material-assembly-group-no: 4472.117.685



AP B755HD2HL100 /  
AXLE CASING



# Plant

Page 1 from 1

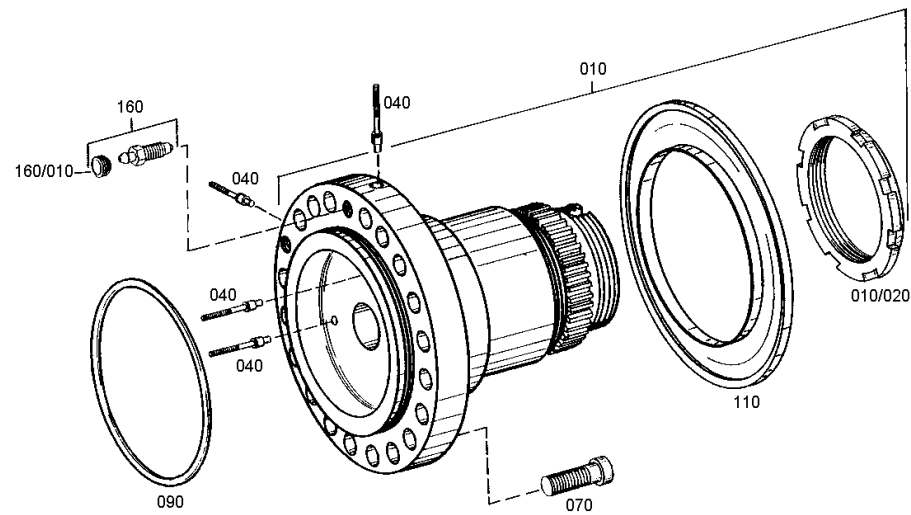
Material number: 4472.022.508

Plant: 447212200400

Material-assembly-group-no: 4472.122.056



AP B755HD2HL100 /  
HUB CARRIER





# Plant

Page 1 from 1

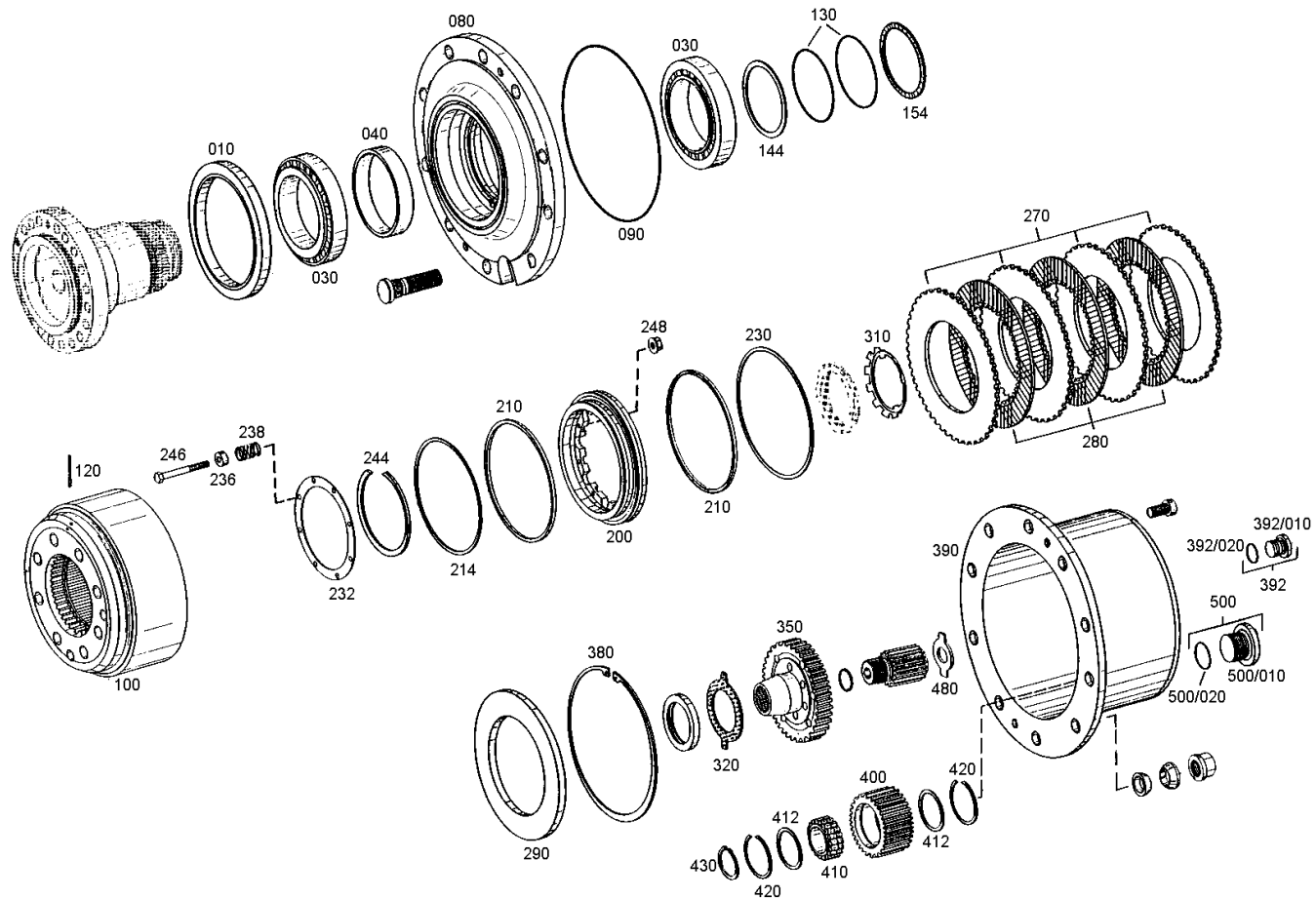
Material number: 4472.022.508

Plant: 447211900801

Material-assembly-group-no: 4472.119.186



AP B755HD2HL100 /  
OUTPUT



# Plant

Page 1 from 1

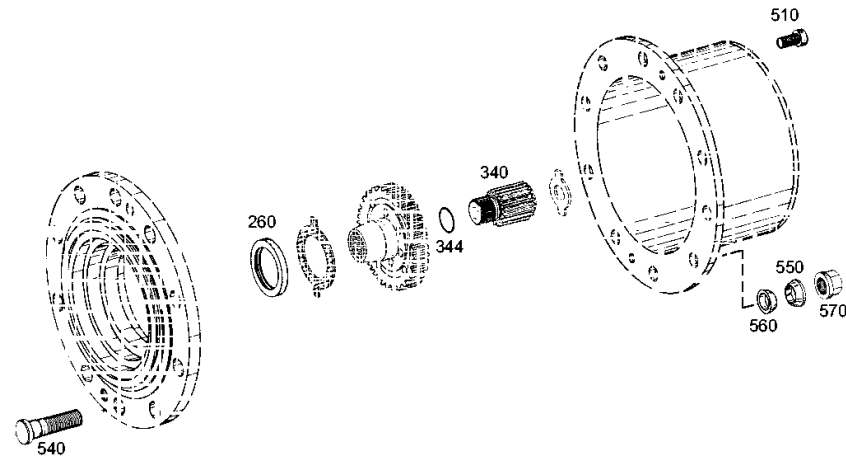
Material number: 4472.022.508

Plant: 447211944300

Material-assembly-group-no: 4472.119.443



AP B755HD2HL100 /  
OUTPUT



# Plant

Page 1 from 1

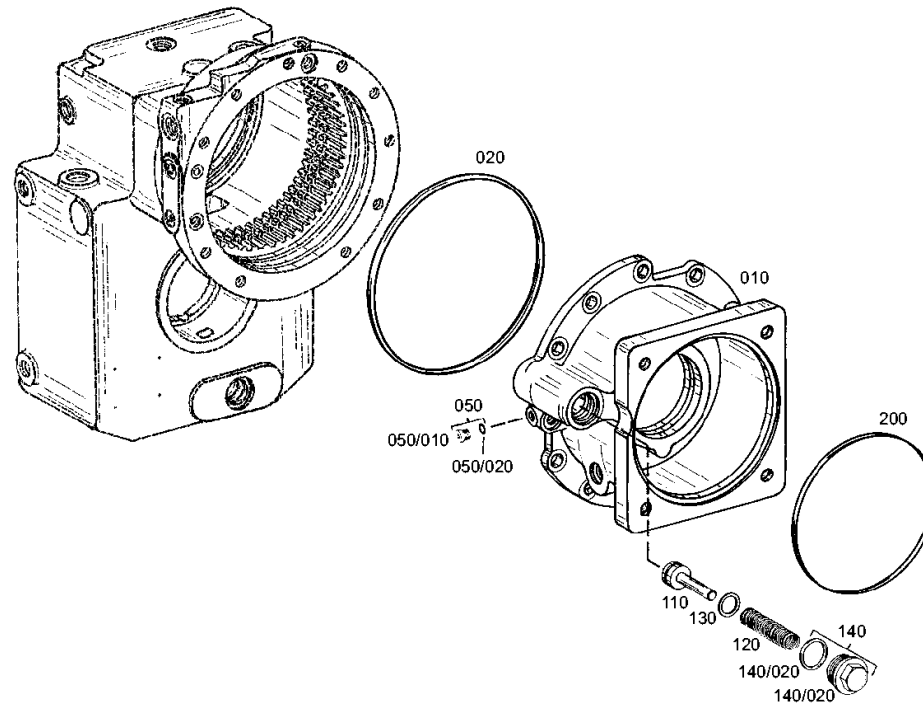
Material number: 4143.000.191

Plant: 414312504800

Material-assembly-group-no: 4143.125.048



AP B755HD2HL100 /  
INPUT HOUSING



# Plant

Page 1 from 1

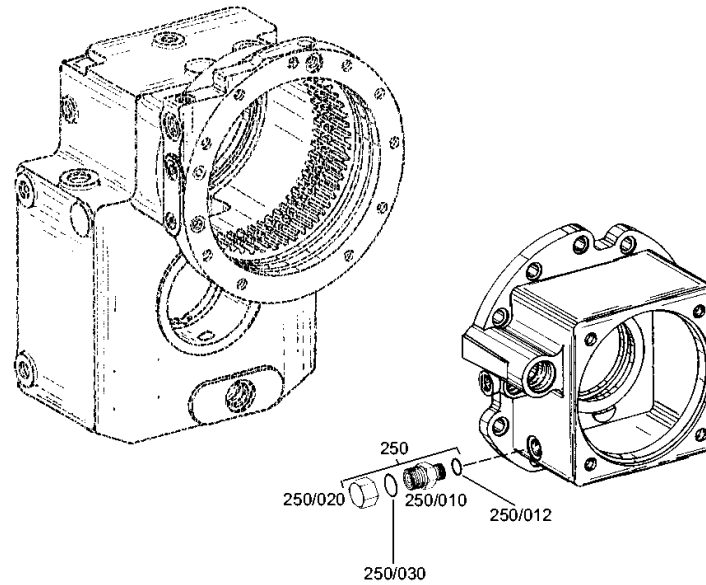
Material number: 4143.000.191

Plant: 414312540000

Material-assembly-group-no: 4143.125.400



AP B755HD2HL100 /  
INPUT HOUSING



# Plant

Page 1 from 1

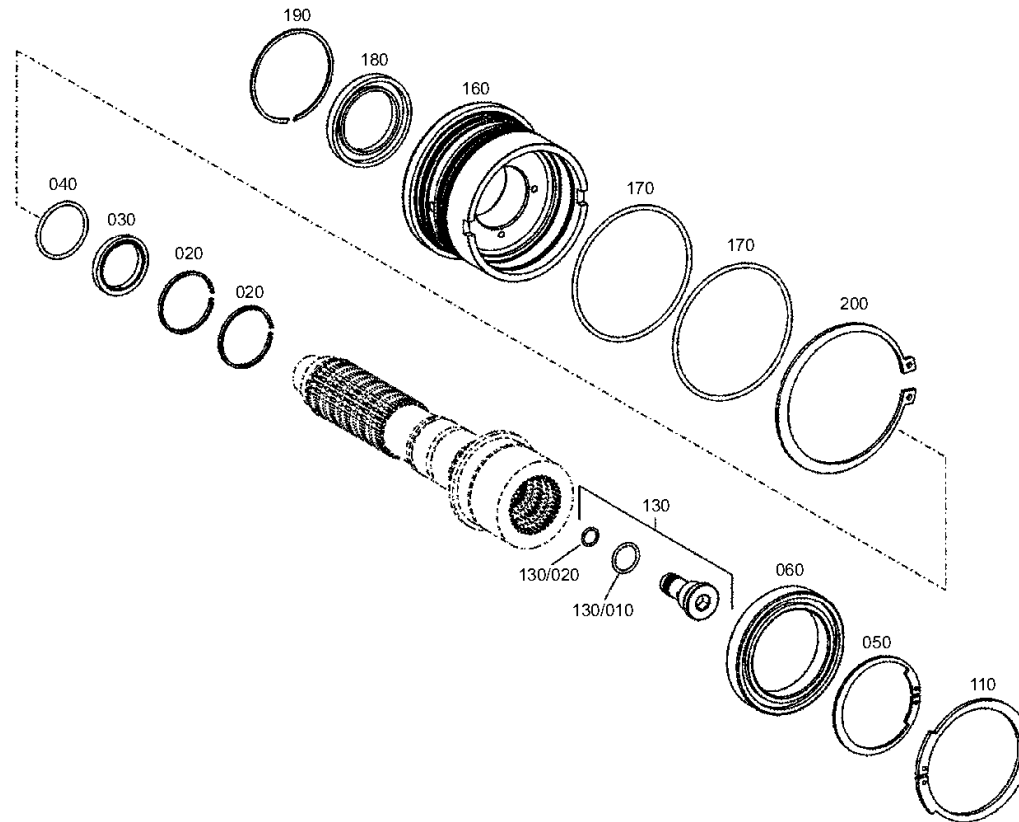
Material number: 4143.000.191

Plant: 414310200200

Material-assembly-group-no: 4143.102.002



AP B755HD2HL100 /  
INPUT



# Plant

Page 1 from 1

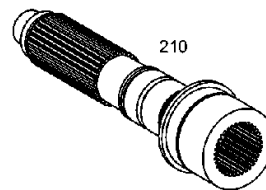
Material number: 4143.000.191

Plant: 414310240600

Material-assembly-group-no: 4143.102.406



AP B755HD2HL100 /  
INPUT



# Plant

Page 1 from 1

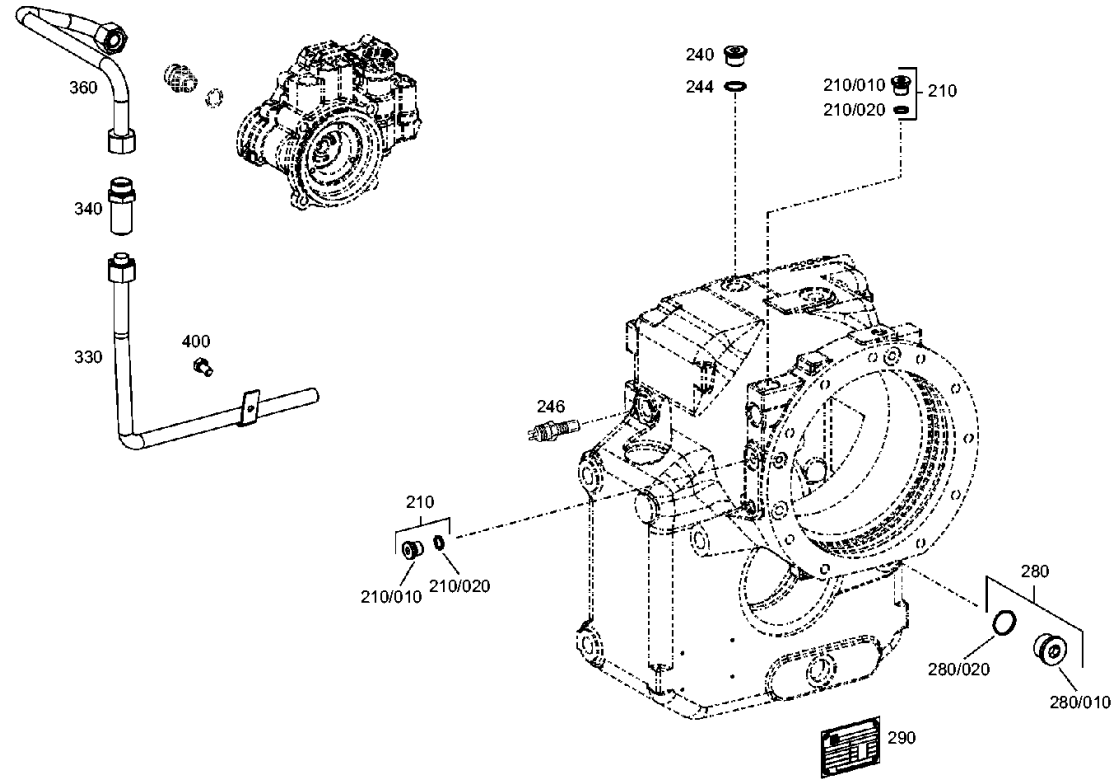
Material number: 4143.000.191

Plant: 414310142320

Material-assembly-group-no: 4143.101.423



AP B755HD2HL100 /  
HOUSING



# Plant

Page 1 from 1

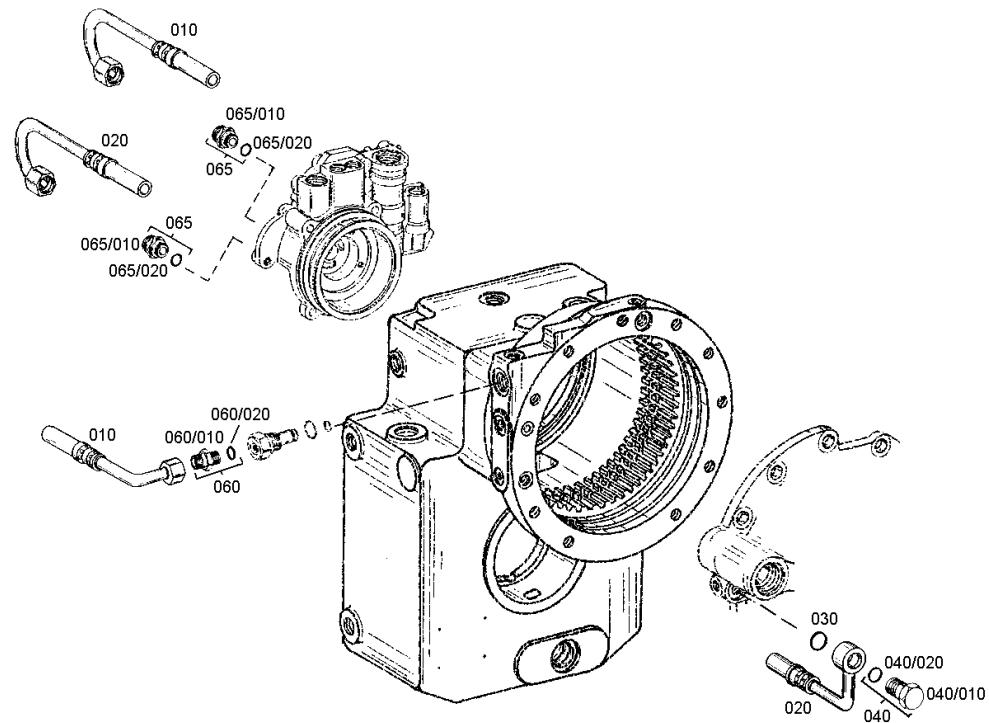
Material number: 4143.000.191

Plant: 414312100200

Material-assembly-group-no: 4143.121.005



AP B755HD2HL100 /  
OIL PIPE





# Plant

Page 1 from 1

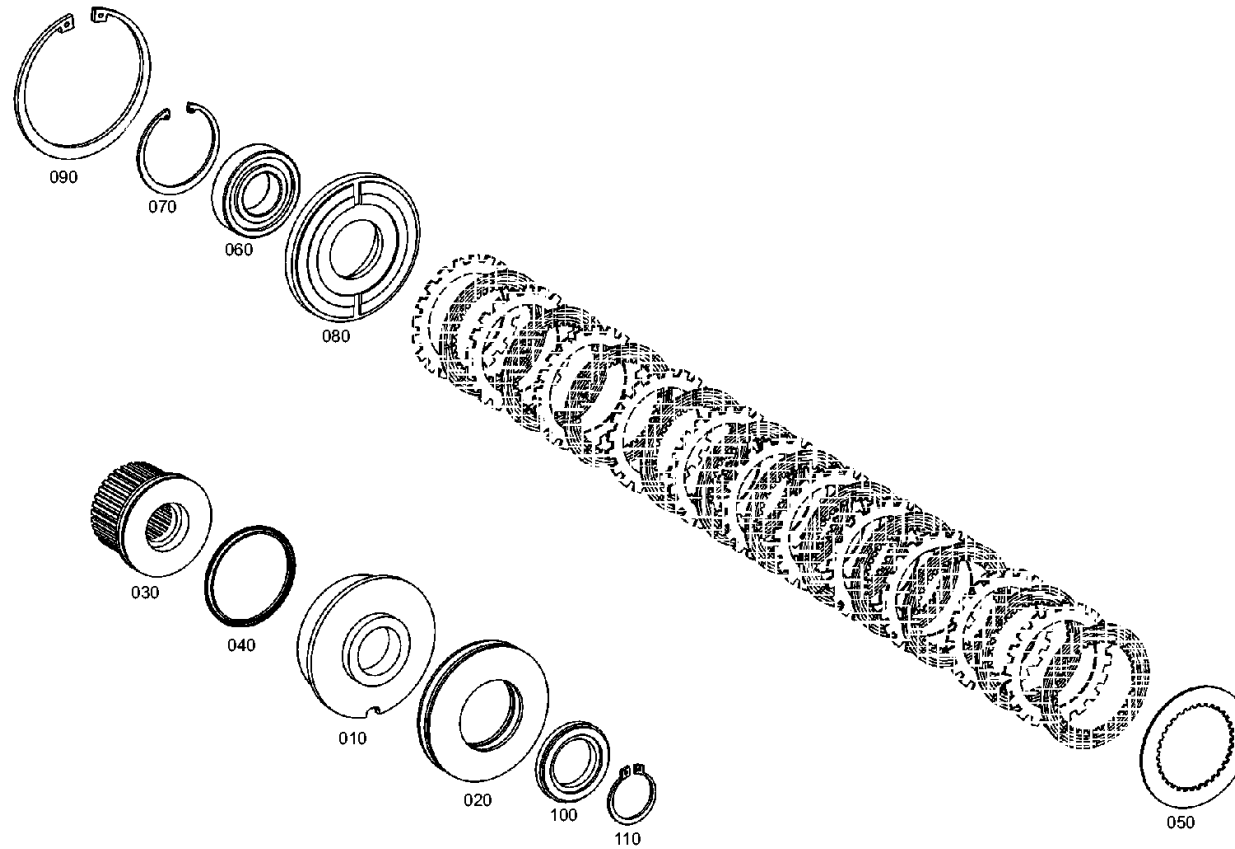
Material number: 4143.000.191

Plant: 414315200200

Material-assembly-group-no: 4143.152.002



AP B755HD2HL100 /  
COUPLING



# Plant

Page 1 from 1

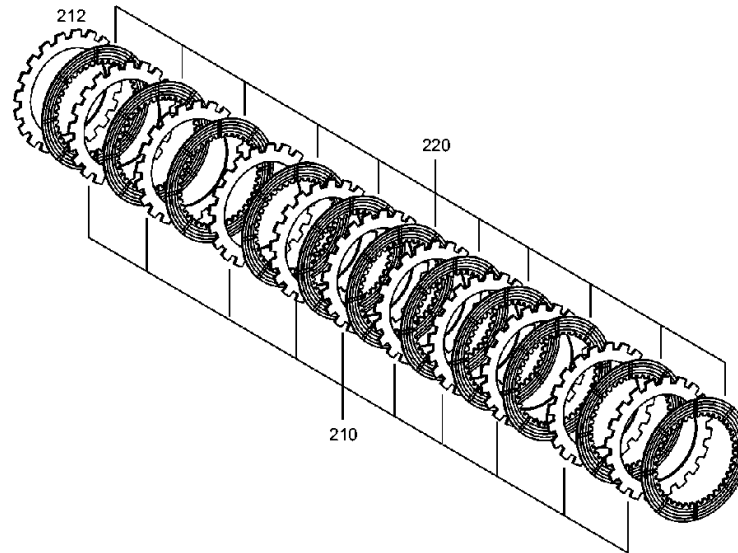
Material number: 4143.000.191

Plant: 414315240200

Material-assembly-group-no: 4143.152.402



AP B755HD2HL100 /  
COUPLING



# Plant

Page 1 from 1

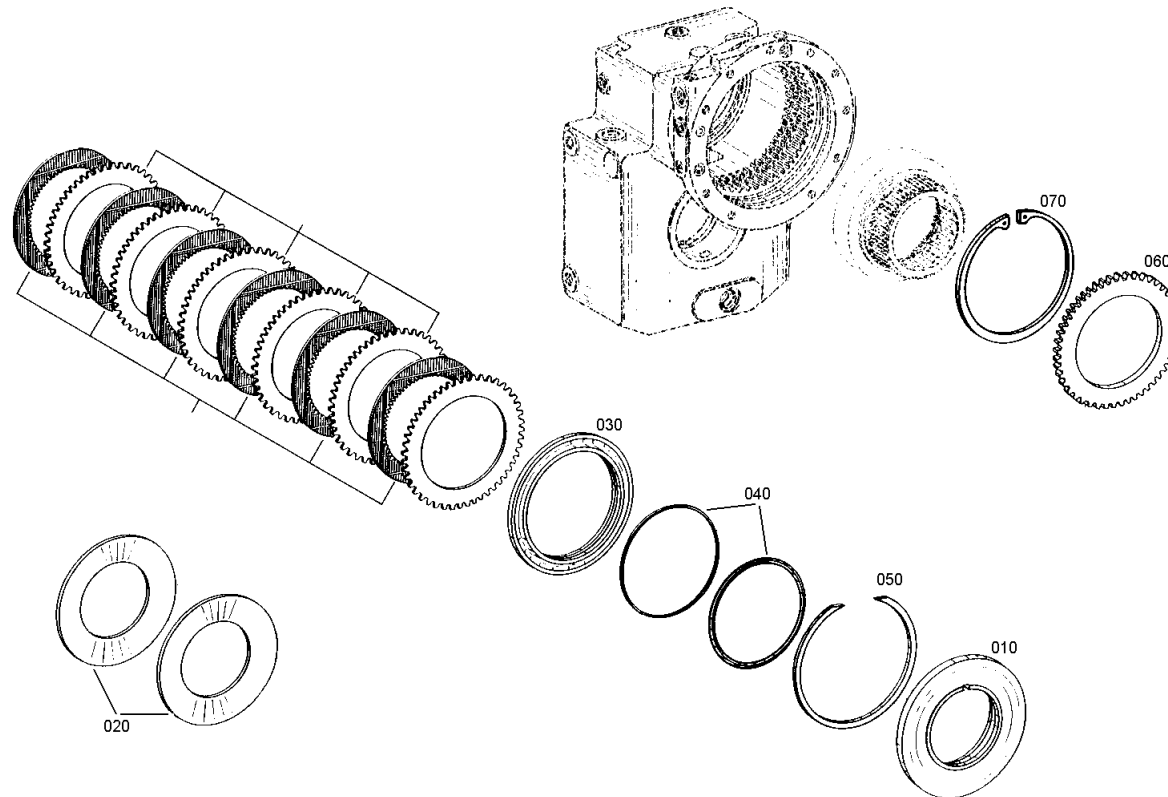
Material number: 4143.000.191

Plant: 414315100201

Material-assembly-group-no: 4143.151.006



AP B755HD2HL100 /  
MULTIDISK BRAKE



# Plant

Page 1 from 1

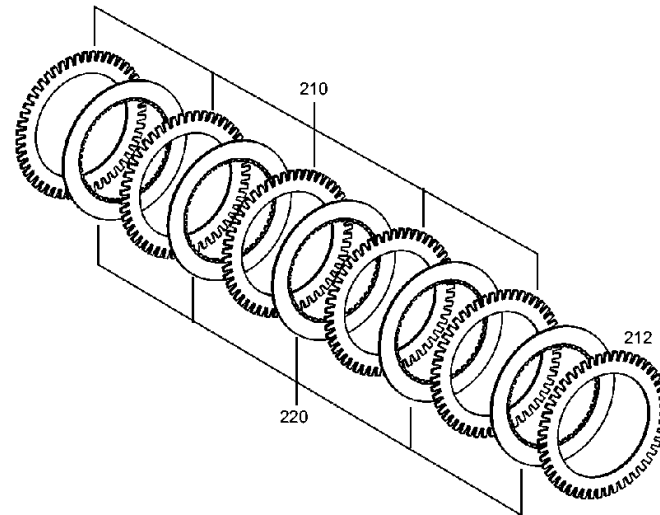
Material number: 4143.000.191

Plant: 414315140500

Material-assembly-group-no: 4143.151.405



AP B755HD2HL100 /  
MULTIDISK BRAKE



# Plant

Page 1 from 1

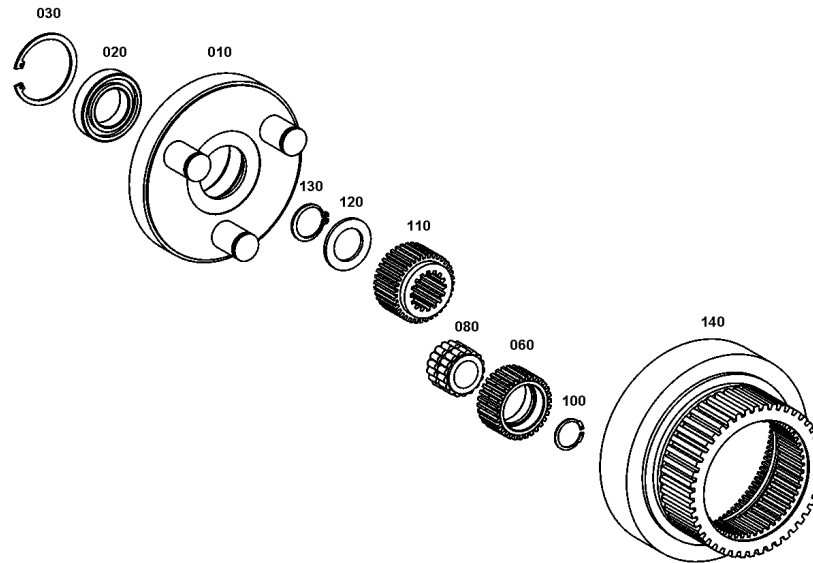
Material number: 4143.000.191

Plant: 414311500100

Material-assembly-group-no: 4143.115.003



AP B755HD2HL100 /  
PLANETARY DRIVE



# Plant

Page 1 from 1

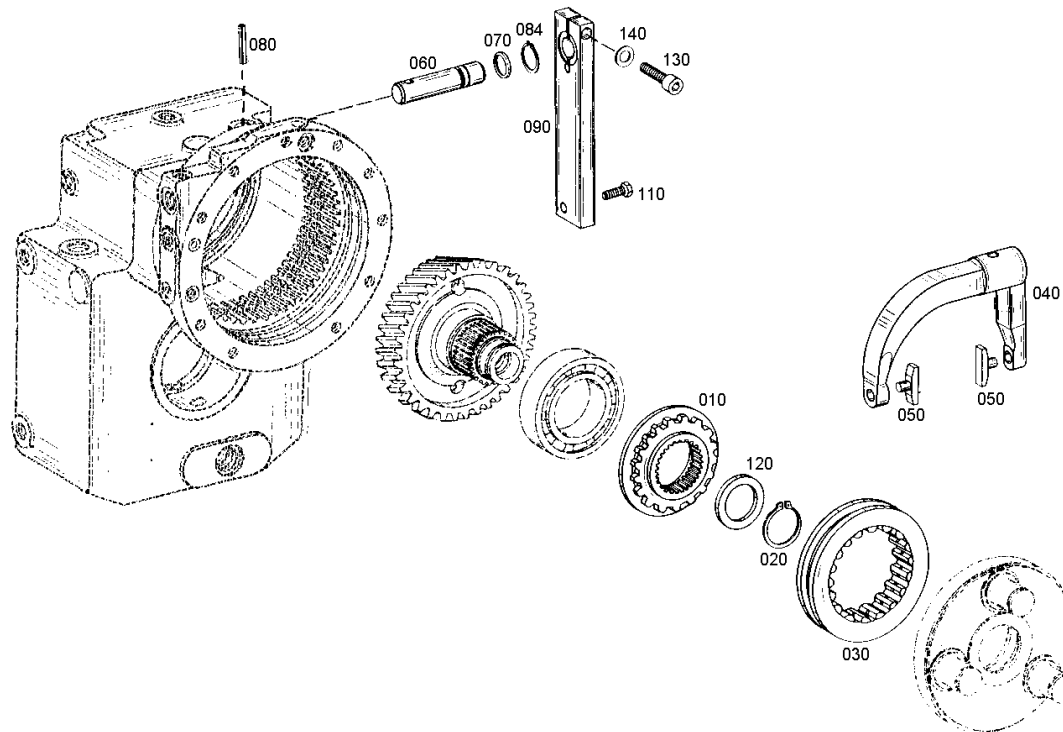
Material number: 4143.000.191

Plant: 414313400100

Material-assembly-group-no: 4143.134.002



AP B755HD2HL100 /  
DISCONNECTION



# Plant

Page 1 from 1

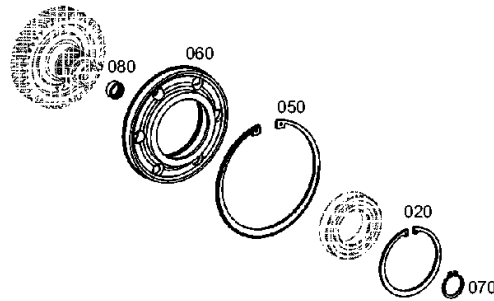
Material number: 4143.000.191

Plant: 414313500200

Material-assembly-group-no: 4143.135.002



AP B755HD2HL100 /  
SPUR GEAR DRIVE



# Plant

Page 1 from 1

Material number: 4143.000.191

Plant: 414313501300

Material-assembly-group-no: 4143.135.406



AP B755HD2HL100 /  
SPUR GEAR DRIVE

There is presently no plate available for this parts list/ assembly.



# Plant

Page 1 from 1

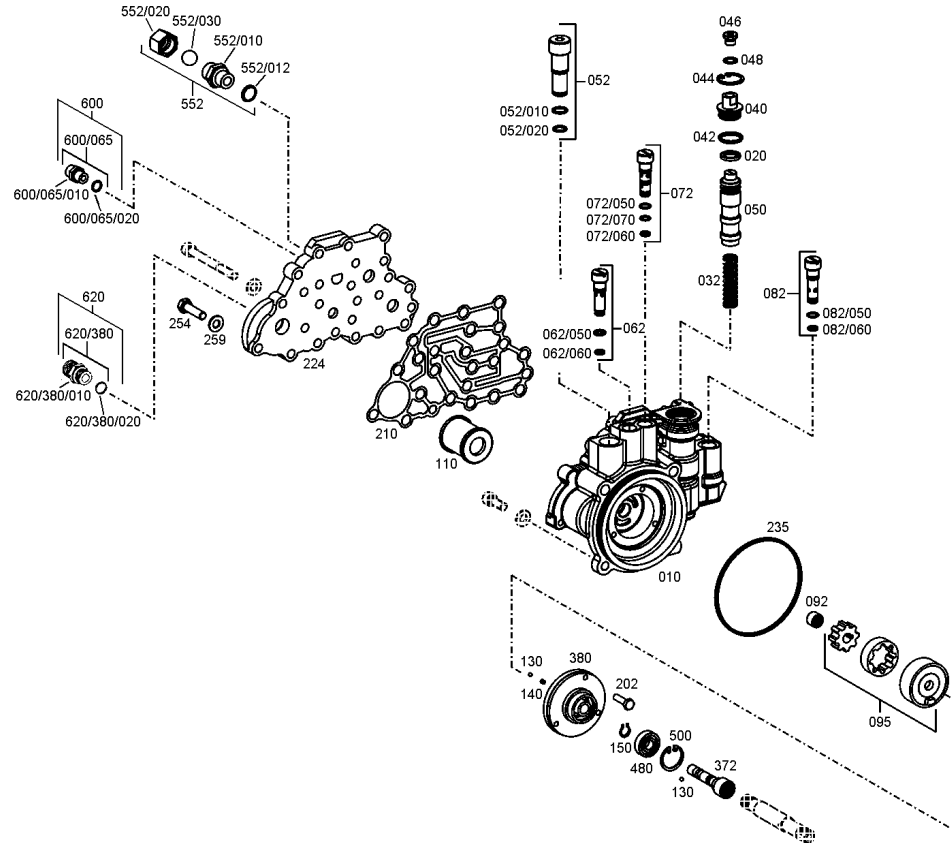
Material number: 4143.000.191

Plant: 414314201900

Material-assembly-group-no: 4143.142.013



AP B755HD2HL100 /  
GEAR SHIFT SENSOR



# Plant

Page 1 from 1

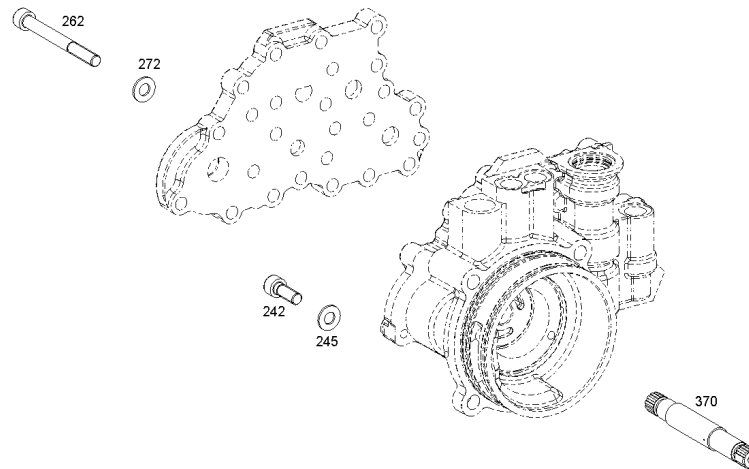
Material number: 4143.000.191

Plant: 414314201600

Material-assembly-group-no: 4143.142.408



AP B755HD2HL100 /  
GEAR SHIFT SENSOR



# Plant

Page 1 from 1

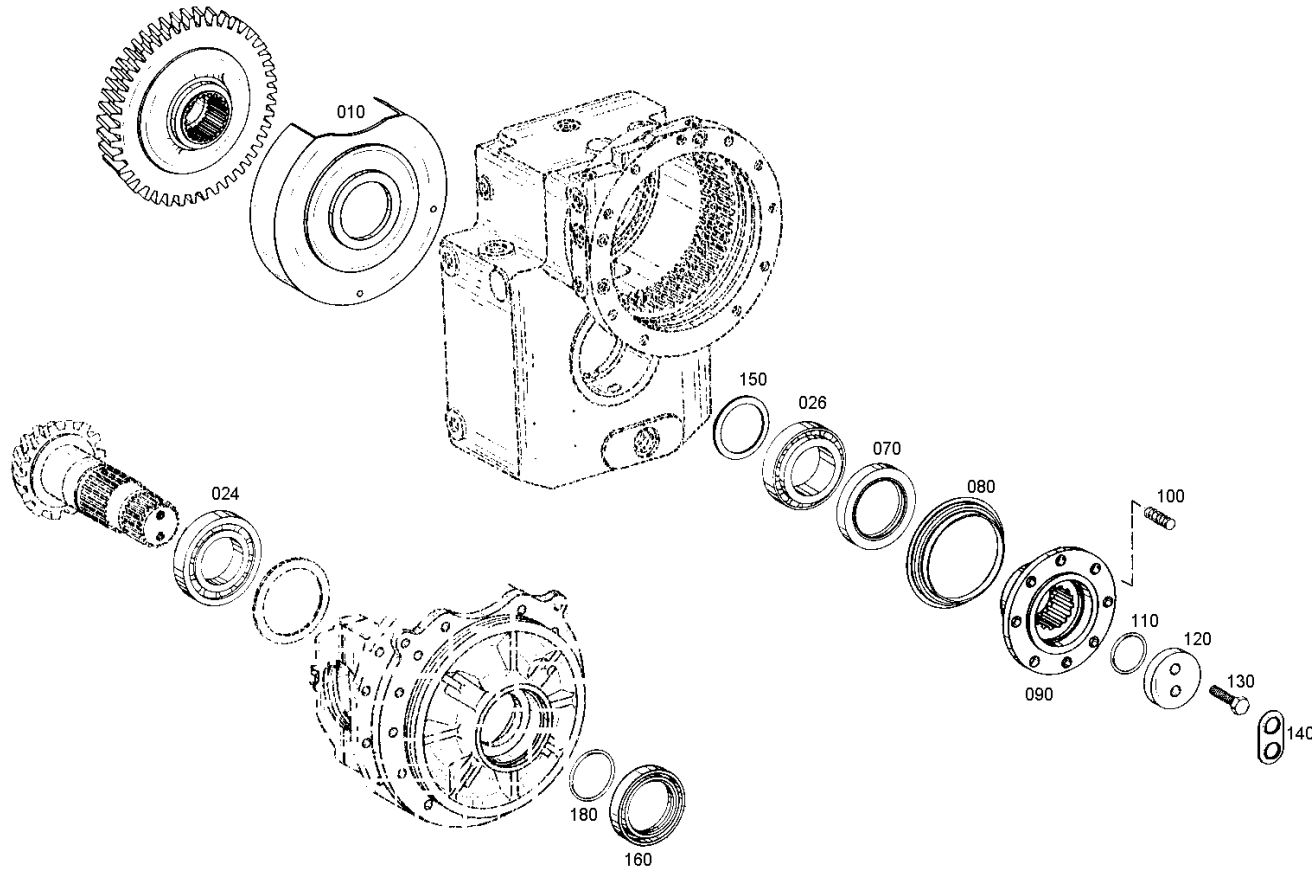
Material number: 4143.000.191

Plant: 414310300101

Material-assembly-group-no: 4143.103.003



AP B755HD2HL100 /  
OUTPUT



# Plant

Page 1 from 1

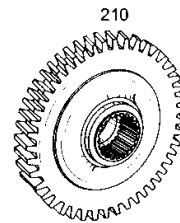
Material number: 4143.000.191

Plant: 414310340200

Material-assembly-group-no: 4143.103.402



AP B755HD2HL100 /  
OUTPUT



# Plant

Page 1 from 1

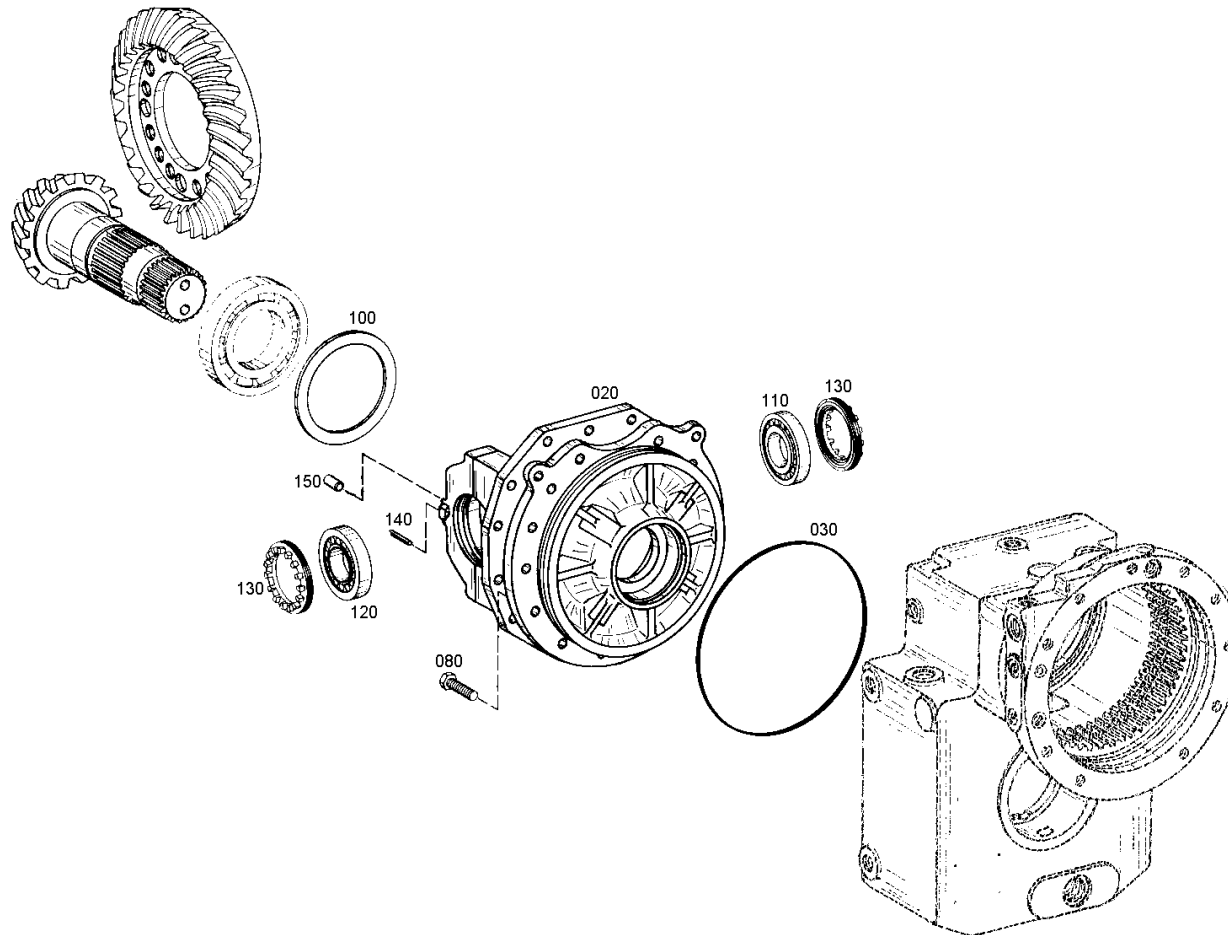
Material number: 4143.000.191

Plant: 414313700701

Material-assembly-group-no: 4143.137.002



AP B755HD2HL100 /  
AXLE INSERT



# Plant

Page 1 from 1

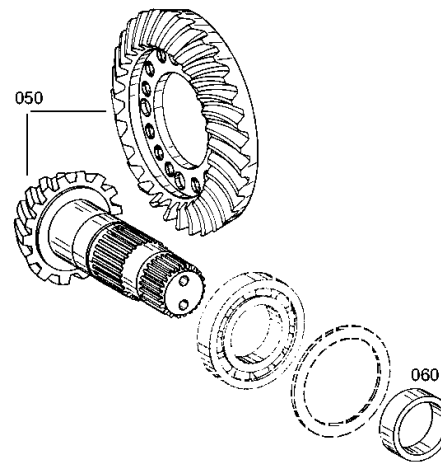
Material number: 4143.000.191

Plant: 414313741200

Material-assembly-group-no: 4143.137.412



AP B755HD2HL100 /  
AXLE INSERT



# Plant

Page 1 from 1

Material number: 4143.000.191

Plant: 446117304700

Material-assembly-group-no: 4461.173.047



AP B755HD2HL100 /  
DIFFERENTIAL

