



Spare Parts Catalog

AV 132/80

Material number: 4472.036.435

Current date: 11.11.2022

ZF Friedrichshafen AG
Hauptverwaltung
80038 Friedrichshafen
Deutschland

Telefon: +49 7541 77-0

Telefax: +49 7541 77-908000

www.zf.com

zuständiges Werk:
Passau

Notes relating to the spare parts catalog

Setup of the spare parts catalog

- Cover sheet
- Technical Cover (only in SDM print)
- Overview of figures
- Figure
- Associated parts list
- Next figure
- Associated parts list
- ...

Figure and parts list



Overview of figures

Bildtafel Figure	Sachnummer Product number	Benennung (Description)	Technische Info Technical info	Description (Benennung)	Menge Quantity	Einheit Unit
068.08.17	1316.170.001	AUSLEGER	WL	SHIFT TURRET	1	Stk
068.08.06	1316.170.031	DECKEL	WL*H-H *VM	COVER	1	Stk
068.08.14	1316.170.808	DECKEL	WL*AUSL+GEH*H-H*HF160N	COVER	1	Stk
08	1316.170.441	ANSCHLUSSTEILE	WL*NG-VORB*RG-SCHL*168N *BAJONETT	CONNECTING PARTS	1	Stk

The "gap" indicates that there is no separate graphics panel (poster) for this assembly
The parts of this assembly are shown with the same mid-section number on the figure

1 Positions and subpositions

Pos.	Sachnummer Product number	Benennung (Description)	Technische Info Technical info	Description (Benennung)	Menge Quantity	Einheit Unit
0370	1315.201.054	RUECKLAUFBOLZEN	KPL.16S151*SG*L= 79	REV.IDLER SHAFT	1	Stk
/0120	0631.329.293	SPANNSTIFT		SLOT. PIN	1	Stk

Positions marked with "/" are the individual items of a completion
For example: Position 0370 contains a centering pin with the position /0120

2 Combinations with standardized parts

Pos.	Sachnummer Product number	Benennung (Description)	Technische Info Technical info	Description (Benennung)	Menge Quantity	Einheit Unit
0630		VERSCHL.SCHR.		SCREW PLUG	1	Stk
	0636.302.067	VERSCHL.SCHR.		SCREW PLUG	1	Stk
	0634.801.249	DICHTRING	A 26 X 31	SEALING RING	1	Stk

The parts list shows the components included in the combination of standardized parts

3 Depiction of position/item number on the figure and in the parts list

01.620 - on the figure 01 relates to the assembly in which the position is included. Due to program-related reasons, it is shown on the figure.

0620 - in the parts list

Pos.	Sachnummer Product number	Benennung (Description)	Technische Info Technical info	Description (Benennung)	Menge Quantity	Einheit Unit
0620	0732.040.736	DRUCKFEDER		COMPRESSION SPRING	1	Stk

4 *-Positions

Positions marked with an * are optional i.e. inclusion in the parts list is not mandatory.
The following note is shown on the figure

je nach Stücklistenausführung
depending on spec. number
*
suivant la nomenclature
secondo la distinta base

5 Parts, dotted display

Parts with dotted display on the figure are only used for orientation of other parts

Technical Cover

Page 1 from 3

Material number: 4472.036.435



AV 132/80 /

Pos.	Information	Amendment number
	KUNDE:AMAZ	
	IDENT-NO.: WITHOUT	
	QUESTIONNAIRE:	
	2006-051	
	PROJEKT-NR.:197448	
	VEHICLE DATA:	
	STADTBUS MAZ 203075 + 203065	
	MOTOR: DC	
	MOTORLEISTUNG: P=213 KW BEI N=2100 UPM	
	DREHMOMENT: T=1200 NM BEI N=1400 UPM	
	GETRIEBE: VOITH D851.3E	
	DUAL TIRES: DOUBLE	
	TIRES: 275/70 R 22.5	
	RIM PITCH CIRCLE DIA: 335 MM	
	ENDGESCHWINDIGK.: 81,0 KM/H	
	QUANTITY OF AXLE: TWO	
	PRODUCT DESCRIPTION:	
	AXLE ARRANGEMENT: REAR AXLE	
	UEBERSETZUNG GES:I= 5,13	
	GANTRY DRIVE: I= 3,19 HV	
	BEVELGEAR SET: I= 1,61 T=37/23	
	FLANGE DISTANCE: L=1862	
	SPURWEITE: L=1888	
	BRAKE:	
	DISC BRAKE PNEUM.	
	LINING: TEXTAR T 7400	
	COMPL WITH ANTILOCK SYSTEM	
	DIFF.CARRIER:	
	TYPE: CK	
	SENS OF ROTATION:CLOCKWISE	
	RING GEAR: SPIRAL DIRECTION RIGHT	
	FLANGE POSITION CONE-PULLEY-DRIVE: CENTER RIGHT	
	FLANGE AD=150 *LZ= 4 *D=13	



Pos.	Information	Amendment number
	DIFFERENTIAL:	
	TYPE: D	
	BEVEL SIDE GEAR SPLINE: N 42X1,25	
	SUSPENSION:	
	TRIANGULAR CONTROL ARM: INTEGRATED	
	LONGITUDINAL CONTROL ARM: MOUNTED	
	DREIECKSLENKER: OHNE	
	LENGTH LINK: WITHOUT	
	SPRING CARRIER: MONTIERT	
	PNEUMATIC SPRING BOOT: WITHOUT	
	SHOCK ABSORBER: WITHOUT	
	DRAWINGS:	
	SECTION DRAWING: 4472 035 313(0)	
	EINBAU: 4472 635 334(0)	
	TEST SPECIFICATION: 4472 760 004(3)	
	TEST SPECIFICATION:4472 760 017(2)	
	ASSEMBLY INSTRUCTION:	
	MARPOSS MEASURING PROGRAM 1	
	PURITYCLASS: PROCESSIONSTR. NO.16067003	
	EINSTELLUNG: 4,0 -10,0 NM ROLLMOMENT/ RITZEL	
	ADJUSTMENT: 3,5 - 5,5 NM ROLLING MOMENT/DIFF.BEARING	
	ADJUSTMENT: 0,05 - 0,08 MM BACKLASH/IDLER GEAR BRG.	
	ADJUSTMENT: 0,0 - 0,03 MM BACKLASH/OUTPUT GEAR	
	BREATHER CAP BEFORE TEST RUN REMOVE	
	AND AFTER TEST RUN AGAIN ATTACH	
	ASSESSED OIL CAPACITY:	
	ACHSBRUECKE: CA.16,50L	
	HUB: 0,117-0,128 KG GREASY	
	WITH OIL: YES WEEK/YEAR	
	OIL: SPEZIFIC.:API GL-5 TE-ML 12	
	OIL CAPACITY IN AXLE CASING IN TYPE PLATE IMPRESS	
	WEIGHT-TOTAL: ...KG	
	COLOUR: 5 BLACK RAL 9005	

Technical Cover

Page 3 from 3

Material number: 4472.036.435



AV 132/80 /

Pos.	Information	Amendment number
	MISCELLANEOUS/REMARKS:	
	EINBAULAGE:PORT.GEH.83 GRAD ZUM ANTR.FLANSCH	
	*	

Assembly group overview

Page 1 from 1

Material number: 4472.036.435



AV 132/80 /

Picture	Pos.	Material number	Name	Quantity	Amend. no.	Techn. Info.
	10	4472.031.135	BARE AXLE	1		
447211500400	20	4472.115.004	WHEEL HEAD	1		
447211500400	22	4472.115.004	WHEEL HEAD	1		
447211404501	30	4472.114.045	BRAKE/LEFT	1		
447211404601	40	4472.114.046	BRAKE/RIGHT	1		
447214002200	50	4472.140.022	SUSPENSION	1		

Picture

Page 1 from 2

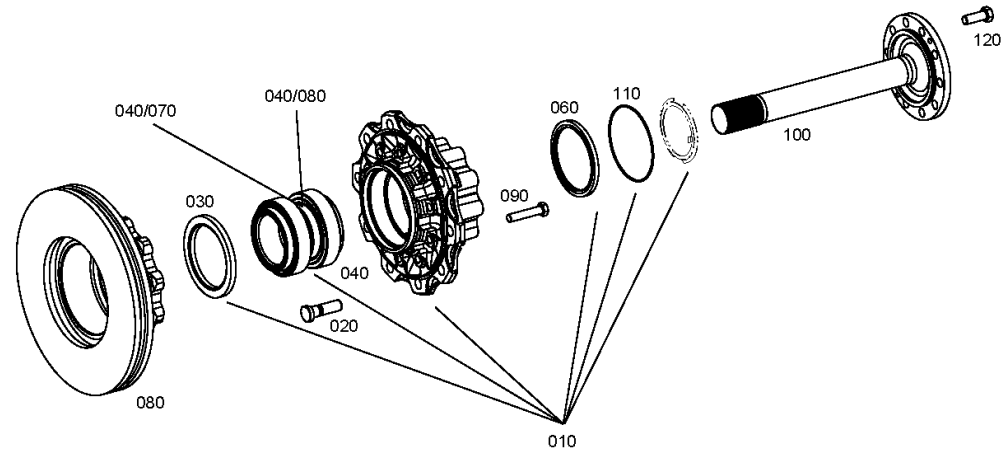
Material number: 4472.036.435

Picture: 447211500400

Material-assembly-group-no: 4472.115.004



AV 132/80 /
WHEEL HEAD



Picture

Page 2 from 2

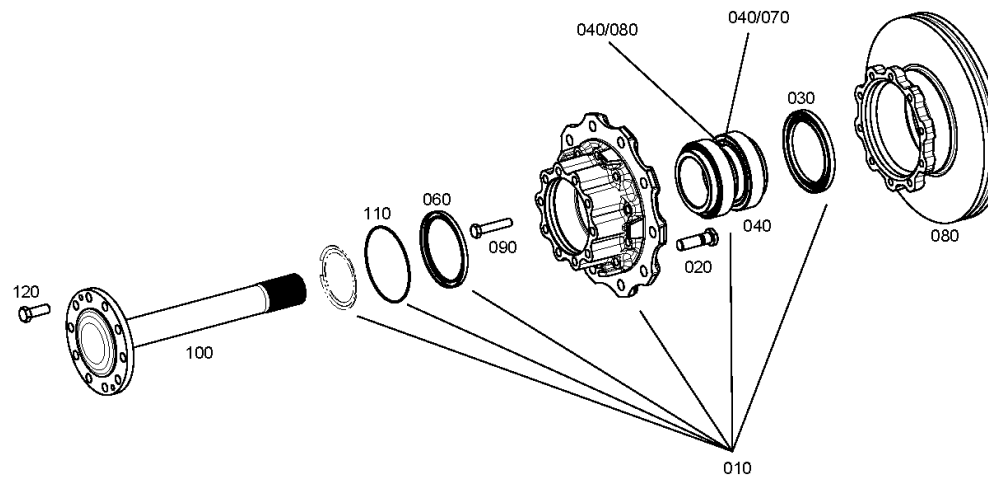
Material number: 4472.036.435

Picture: 447211500450

Material-assembly-group-no: 4472.115.004



AV 132/80 /
WHEEL HEAD



Picture

Page 1 from 2

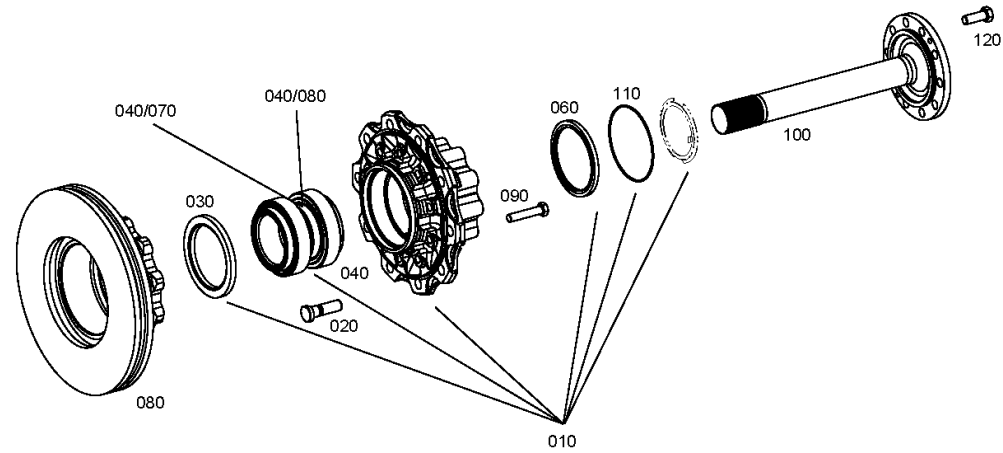
Material number: 4472.036.435

Picture: 447211500400

Material-assembly-group-no: 4472.115.004



AV 132/80 /
WHEEL HEAD



Picture

Page 2 from 2

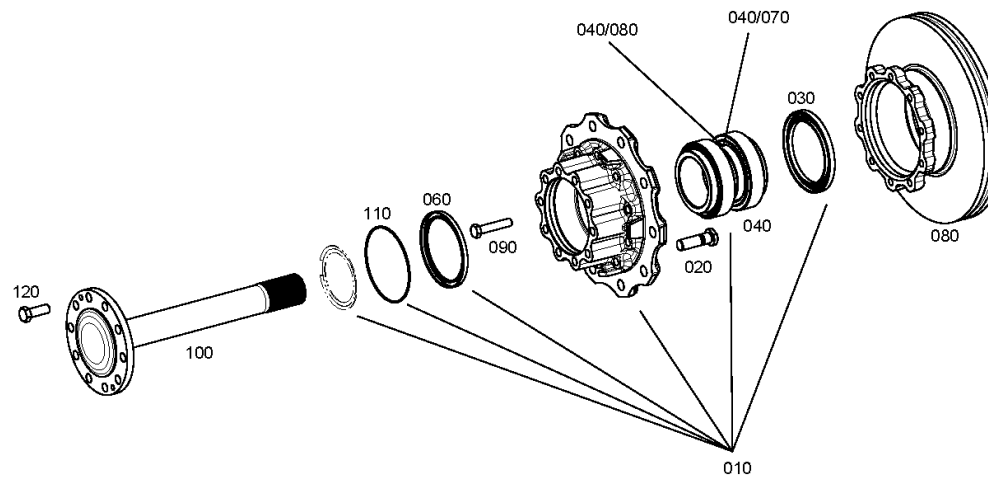
Material number: 4472.036.435

Picture: 447211500450

Material-assembly-group-no: 4472.115.004



AV 132/80 /
WHEEL HEAD



Picture

Page 1 from 3

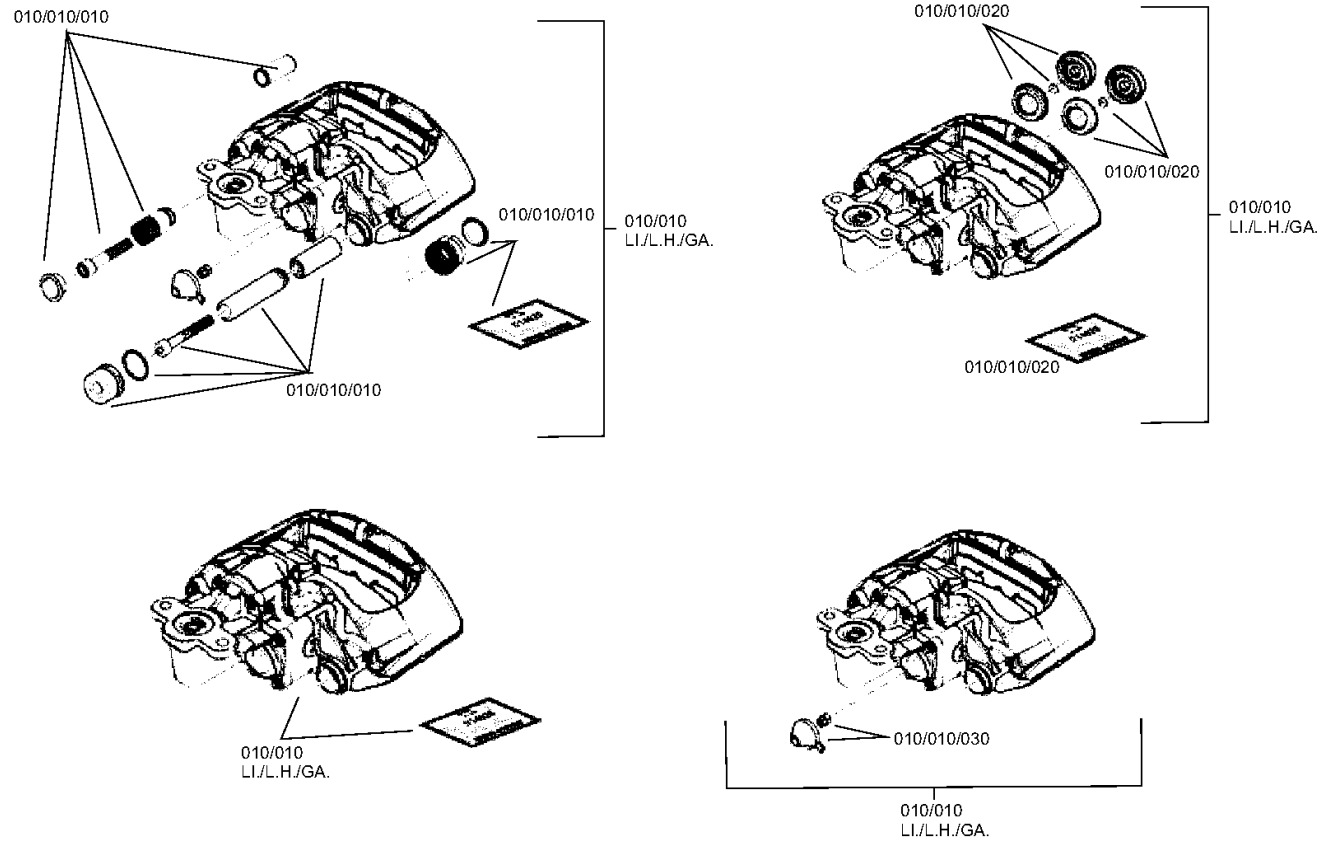
Material number: 4472.036.435

Picture: 447211404501

Material-assembly-group-no: 4472.114.045



AV 132/80 /
BRAKE/LEFT



Picture

Page 2 from 3

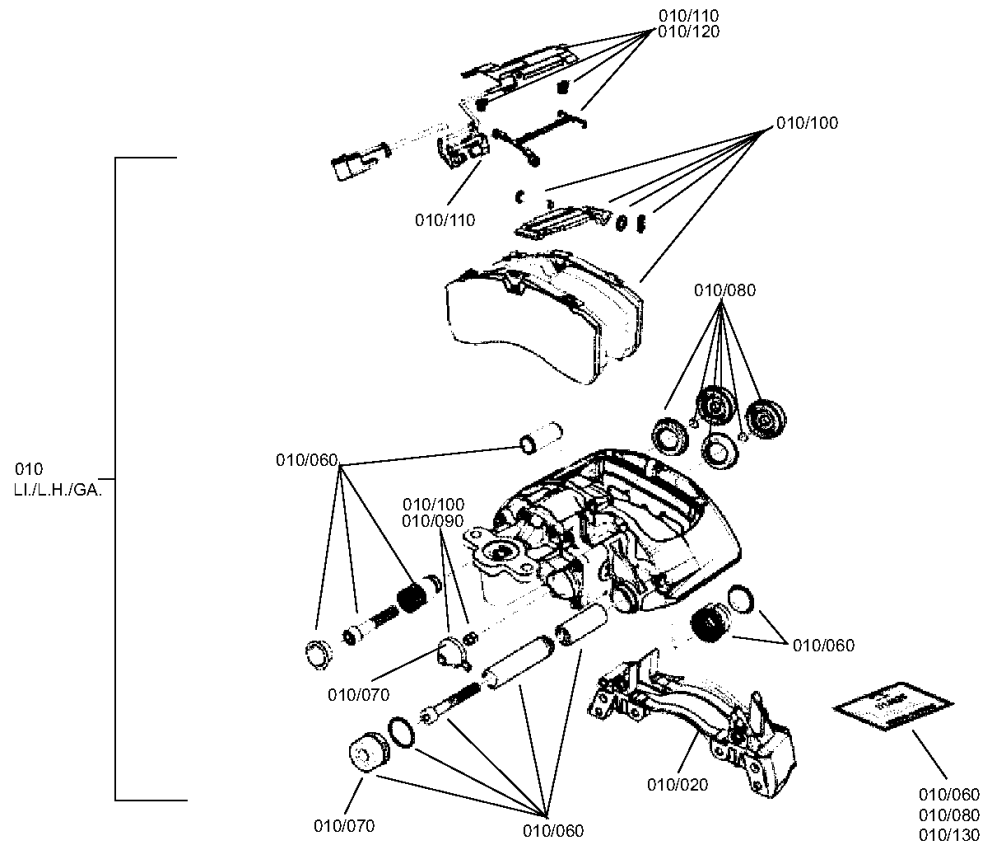
Material number: 4472.036.435

Picture: 447211404502

Material-assembly-group-no: 4472.114.045



AV 132/80 /
BRAKE/LEFT



Picture

Page 3 from 3

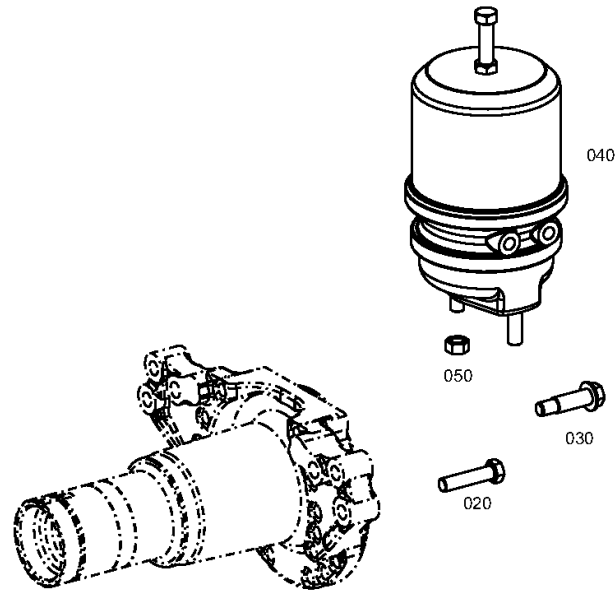
Material number: 4472.036.435

Picture: 447211404503

Material-assembly-group-no: 4472.114.045



AV 132/80 /
BRAKE/LEFT



Picture

Page 1 from 3

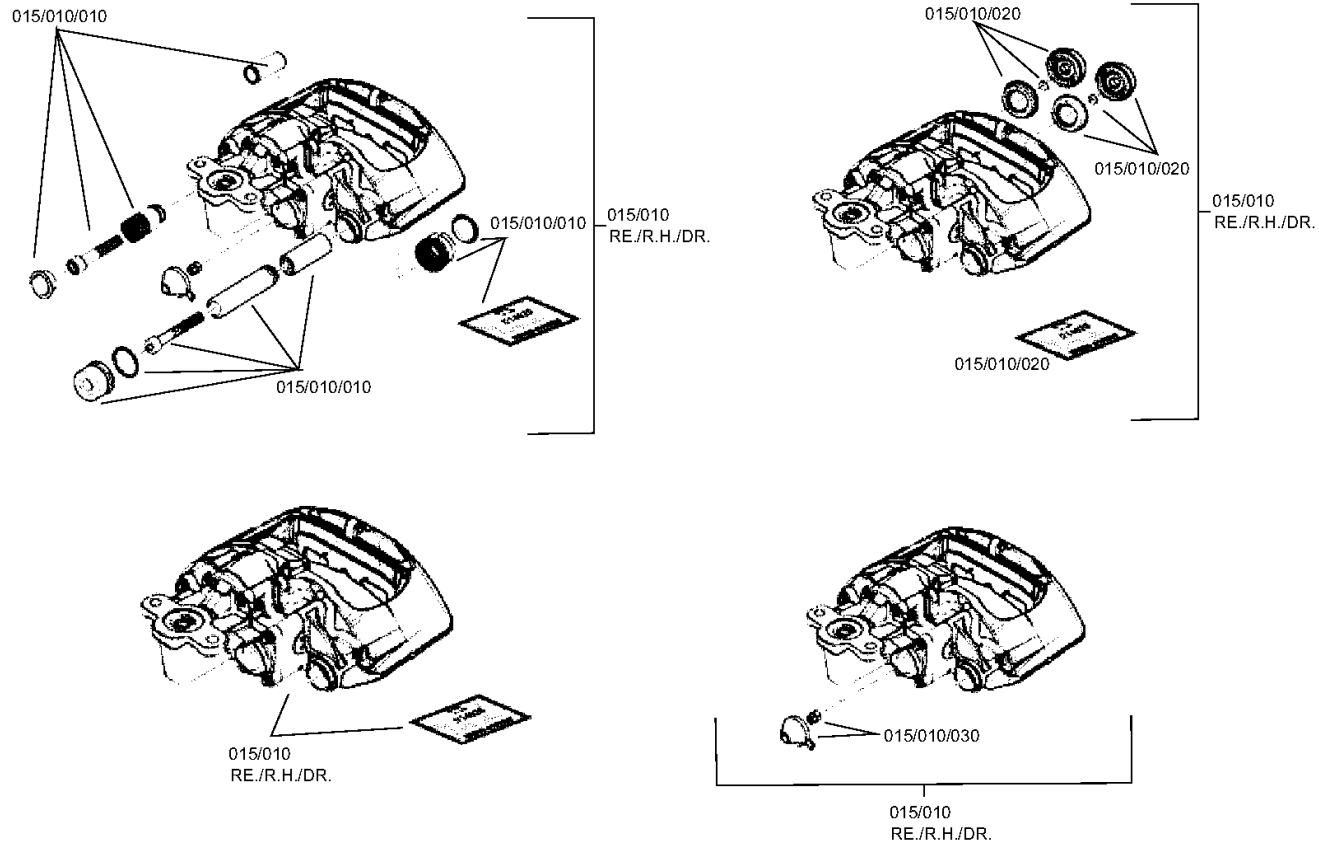
Material number: 4472.036.435

Picture: 447211404601

Material-assembly-group-no: 4472.114.046



AV 132/80 /
BRAKE/RIGHT



Picture

Page 2 from 3

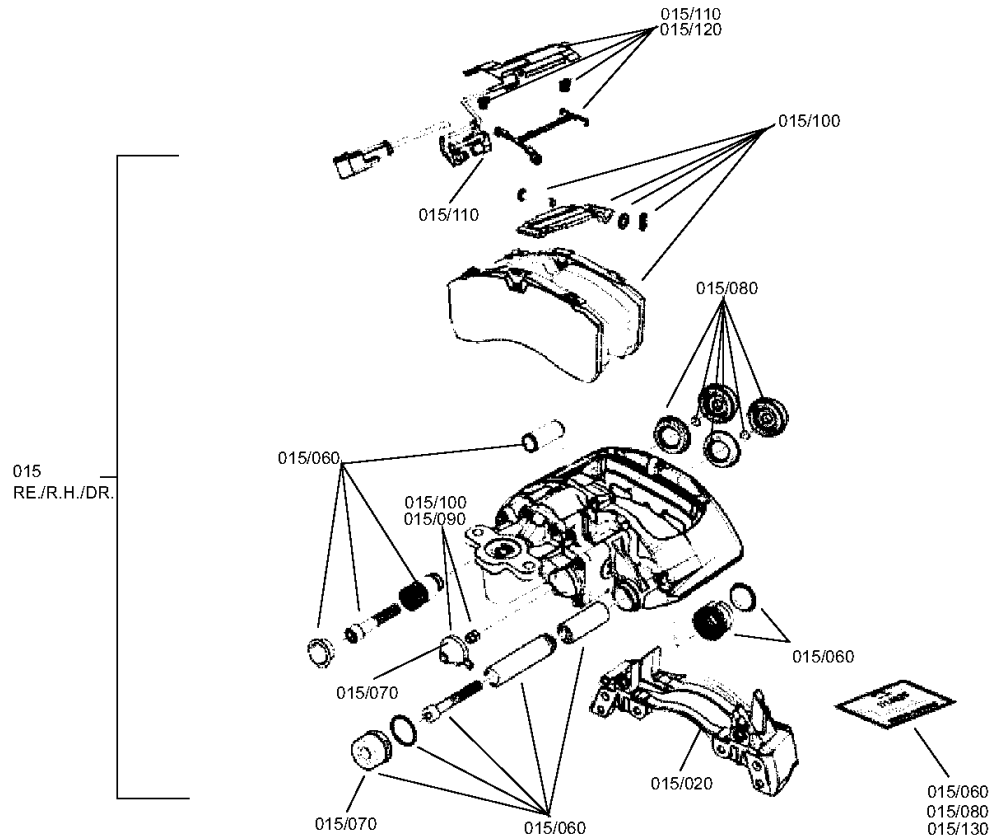
Material number: 4472.036.435

Picture: 447211404602

Material-assembly-group-no: 4472.114.046



AV 132/80 /
BRAKE/RIGHT



Picture

Page 3 from 3

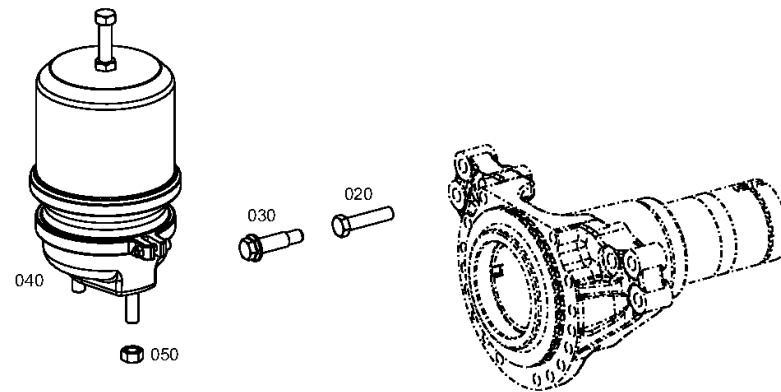
Material number: 4472.036.435

Picture: 447211404603

Material-assembly-group-no: 4472.114.046



AV 132/80 /
BRAKE/RIGHT



Picture

Page 1 from 1

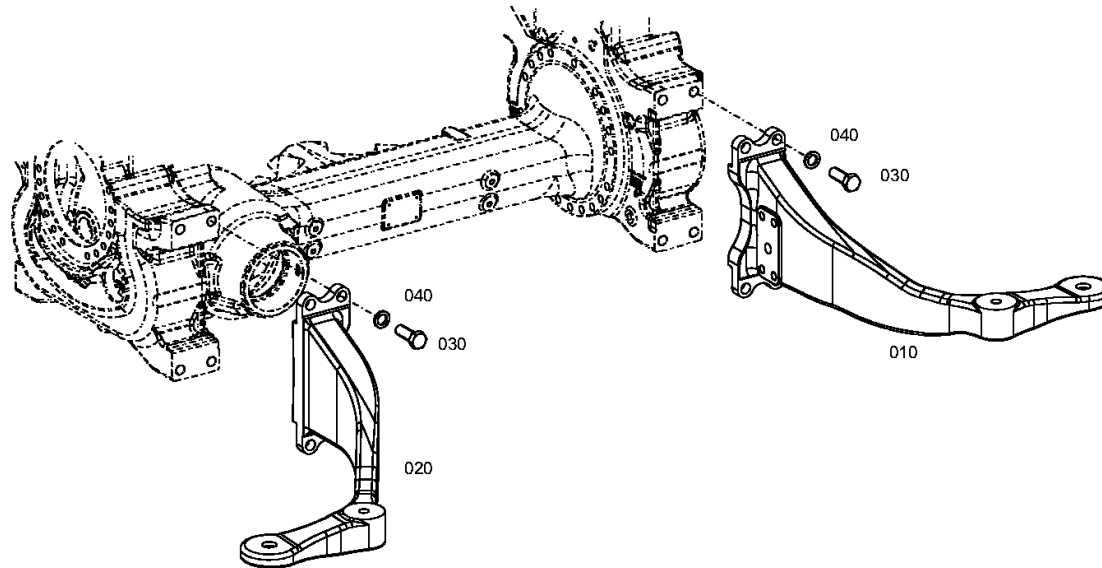
Material number: 4472.036.435

Picture: 447214002200

Material-assembly-group-no: 4472.140.022



AV 132/80 /
SUSPENSION



Picture

Page 1 from 1

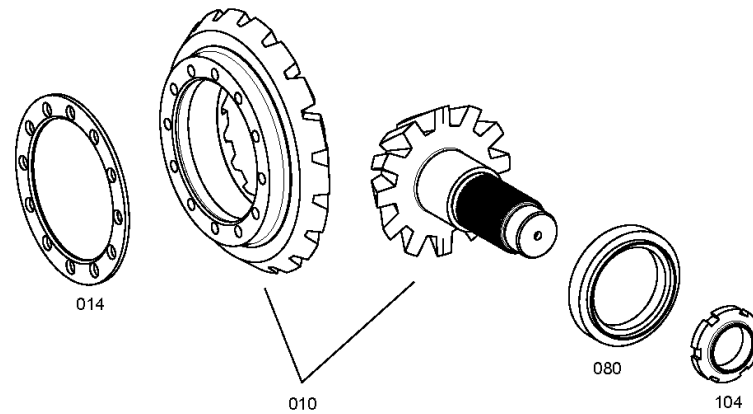
Material number: 4472.031.135

Picture: 447211007100

Material-assembly-group-no: 4472.110.071



AV 132/80 /
INPUT



Picture

Page 1 from 1

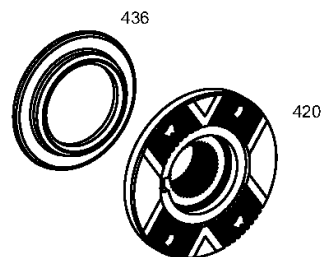
Material number: 4472.031.135

Picture: 446010543100

Material-assembly-group-no: 4460.105.431



AV 132/80 /
INPUT FLANGE



Picture

Page 1 from 1

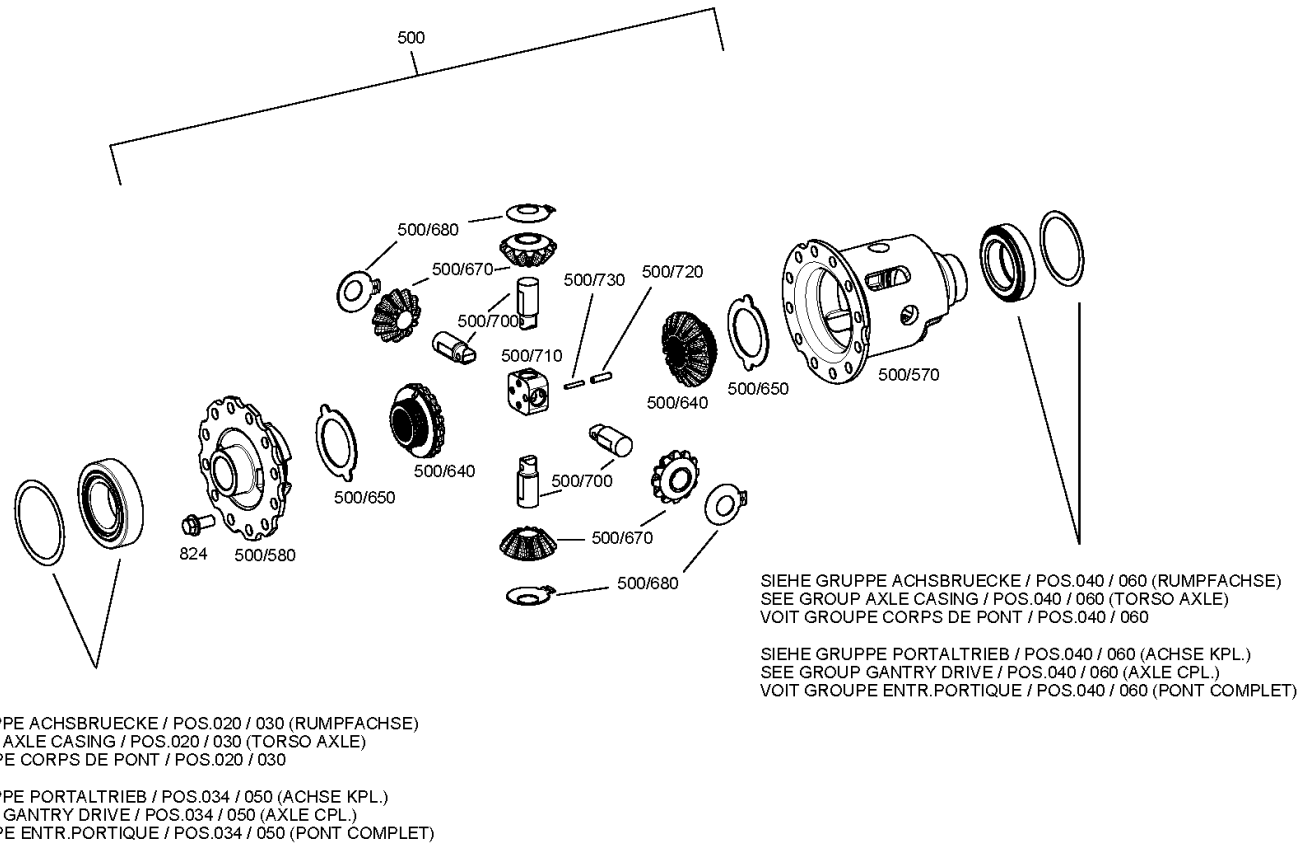
Material number: 4472.031.135

Picture: 446110305800

Material-assembly-group-no: 4461.103.058



AV 132/80 /
DIFFERENTIAL



Picture

Page 1 from 1

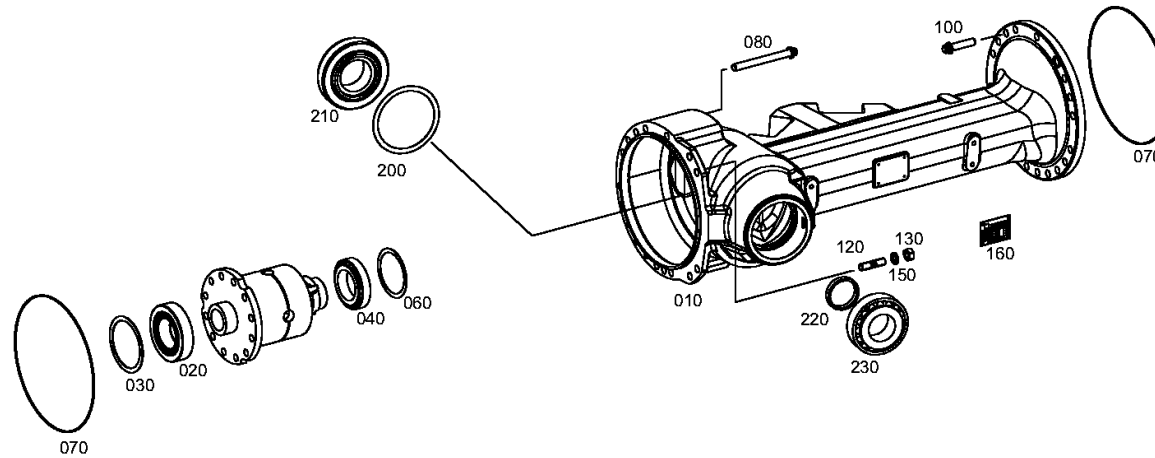
Material number: 4472.031.135

Picture: 447211112400

Material-assembly-group-no: 4472.111.124



AV 132/80 /
AXLE CASING



Picture

Page 1 from 1

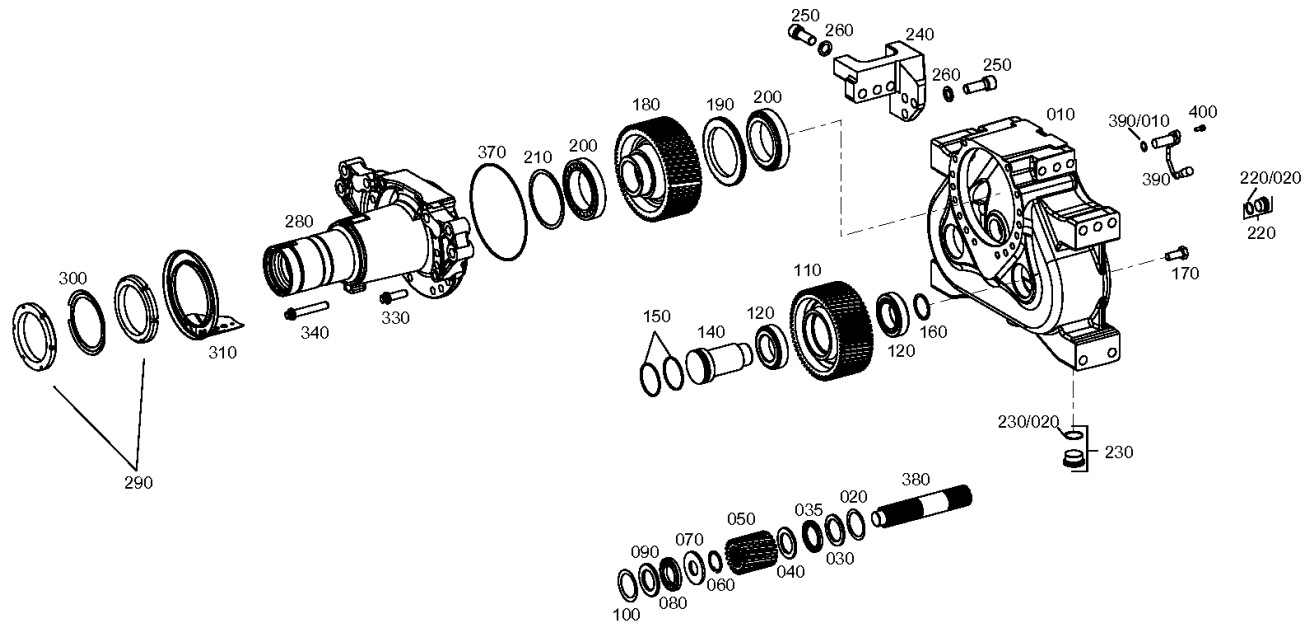
Material number: 4472.031.135

Picture: 447211222500

Material-assembly-group-no: 4472.112.225



AV 132/80 /
GANTRY DRIVE LEFT



Picture

Page 1 from 1

Material number: 4472.031.135

Picture: 447211224500

Material-assembly-group-no: 4472.112.245



AV 132/80 /
GANTRY DRIVE RIGHT

