



Spare Parts Catalog

AV 132 II/80

Material number: 4472.037.043

Current date: 30.05.2023

ZF Friedrichshafen AG
Hauptverwaltung
80038 Friedrichshafen
Deutschland

Telefon: +49 7541 77-0

Telefax: +49 7541 77-908000

www.zf.com

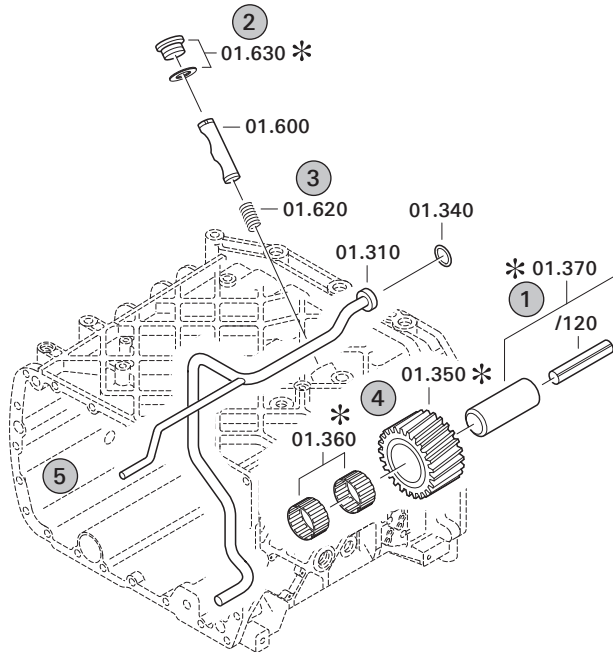
zuständiges Werk:
Passau

Notes relating to the spare parts catalog

Setup of the spare parts catalog

- Cover sheet
- Technical Cover (only in SDM print)
- Overview of figures
- Figure
- Associated parts list
- Next figure
- Associated parts list
- ...

Figure and parts list



Overview of figures

| Bildtafel Figure | Sachnummer Product number | Benennung (Description) | Technische Info Technical info | Description (Benennung) | Menge Quantity | Einheit Unit |
|---------------------|------------------------------|----------------------------|-----------------------------------|----------------------------|-------------------|-----------------|
| 068.08.17 | 1316.170.001 | AUSLEGER | WL | SHIFT TURRET | 1 | Stk |
| 068.08.06 | 1316.170.031 | DECKEL | WL*H-H *VM | COVER | 1 | Stk |
| 068.08.14 | 1316.170.808 | DECKEL | WL*AUSL+GEH*H-H*HF160N | COVER | 1 | Stk |
| 08 | 1316.170.441 | ANSCHLUSSTEILE | WL*NG-VORB*RG-SCHL*168N *BAJONETT | CONNECTING PARTS | 1 | Stk |

The "gap" indicates that there is no separate graphics panel (poster) for this assembly
The parts of this assembly are shown with the same mid-section number on the figure

1 Positions and subpositions

| Pos. | Sachnummer Product number | Benennung (Description) | Technische Info Technical info | Description (Benennung) | Menge Quantity | Einheit Unit |
|-------|------------------------------|----------------------------|-----------------------------------|----------------------------|-------------------|-----------------|
| 0370 | 1315.201.054 | RUECKLAUFBOLZEN | KPL.16S151*SG*L= 79 | REV.IDLER SHAFT | 1 | Stk |
| /0120 | 0631.329.293 | SPANNSTIFT | | SLOT. PIN | 1 | Stk |

Positions marked with "/" are the individual items of a completion
For example: Position 0370 contains a centering pin with the position /0120

2 Combinations with standardized parts

| Pos. | Sachnummer Product number | Benennung (Description) | Technische Info Technical info | Description (Benennung) | Menge Quantity | Einheit Unit |
|------|------------------------------|----------------------------|-----------------------------------|----------------------------|-------------------|-----------------|
| 0630 | | VERSCHL.SCHR. | | SCREW PLUG | 1 | Stk |
| | 0636.302.067 | VERSCHL.SCHR. | | SCREW PLUG | 1 | Stk |
| | 0634.801.249 | DICHTRING | A 26 X 31 | SEALING RING | 1 | Stk |

The parts list shows the components included in the combination of standardized parts

3 Depiction of position/item number on the figure and in the parts list

01.620 - on the figure 01 relates to the assembly in which the position is included. Due to program-related reasons, it is shown on the figure.

0620 - in the parts list

| Pos. | Sachnummer Product number | Benennung (Description) | Technische Info Technical info | Description (Benennung) | Menge Quantity | Einheit Unit |
|------|------------------------------|----------------------------|-----------------------------------|----------------------------|-------------------|-----------------|
| 0620 | 0732.040.736 | DRUCKFEDER | | COMPRESSION SPRING | 1 | Stk |

4 *-Positions

Positions marked with an * are optional i.e. inclusion in the parts list is not mandatory.
The following note is shown on the figure

je nach Stücklistenausführung
depending on spec. number
*
suivant la nomenclature
secondo la distinta base

5 Parts, dotted display

Parts with dotted display on the figure are only used for orientation of other parts

Technical Cover

Page 1 from 1

Material number: 4472.037.043



AV 132 II/80 /

| Pos. | Information | Amendment number |
|------|---|------------------|
| | KUNDE:TROLZA | |
| | IDENT-NR: OHNE | |
| | TECHN.FRAGEBOGEN: 2008-095 | |
| | AGGREGATBESCHREIBUNG: | |
| | ACHSANORDNUNG: H-ACHSE | |
| | UEBERSETZUNG GES:I= 9,84 | |
| | PORTALTRIEB: I= 3,19 HV | |
| | KEGELTRIEB: I= 3,08 Z=37/12 | |
| | BREMSE: | |
| | SCHEIBENBREMSE: PNEUMATISCH | |
| | BELAG: TEXTAR T 7400 | |
| | KPL. MIT ABS | |
| | ZEICHNUNGEN: | |
| | SCHNITT: 4472 035 318(0) | |
| | EINBAU: 4472 635 625(0) | |
| | PRUEFANWEISUNG: 4472 760 004(3) | |
| | MONTAGEHINWEIS: 4472.760.030 | |
| | ERMITTELTE OELMENGE: | |
| | ACHSBRUECKE: CA.17,00L | |
| | NABE/JE: 0,117-0,128 KG FETT | |
| | OELFUELLUNG: JA | |
| | OELSORTE:SPEZIFIK.:API GL-5 TE-ML 12 | |
| | OELMENGE DER ACHSBRUECKE IN TYPENSCHILD PRAEGEN | |
| | FARBE: 5 TIEFSCHWARZ RAL 9005 | |

Assembly group overview

Page 1 from 1

Material number: 4472.037.043



AV 132 II/80 /

| Picture | Pos. | Material number | Name | Quantity | Amend. no. | Techn. Info. |
|--------------|------|-----------------|-------------|----------|------------|--------------|
| | 10 | 4472.031.639 | BARE AXLE | 1 | | |
| 447211504200 | 20 | 4472.115.042 | WHEEL HEAD | 1 | | |
| 447211504200 | 22 | 4472.115.042 | WHEEL HEAD | 1 | | |
| 447214011000 | 50 | 4472.140.110 | SUSPENSION | 1 | | |
| 447211404501 | 30 | 4472.114.045 | BRAKE/LEFT | 1 | | |
| 447211404601 | 40 | 4472.114.046 | BRAKE/RIGHT | 1 | | |

Picture

Page 1 from 2

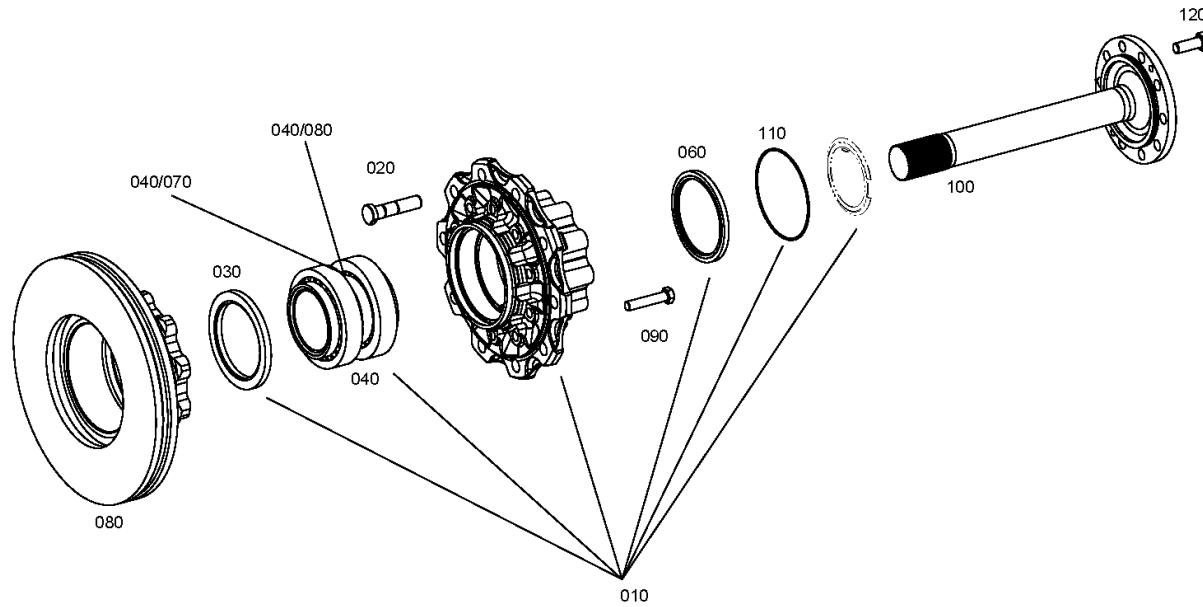
Material number: 4472.037.043

Picture: 447211504200

Material-assembly-group-no: 4472.115.042



AV 132 II/80 /
WHEEL HEAD



Picture

Page 2 from 2

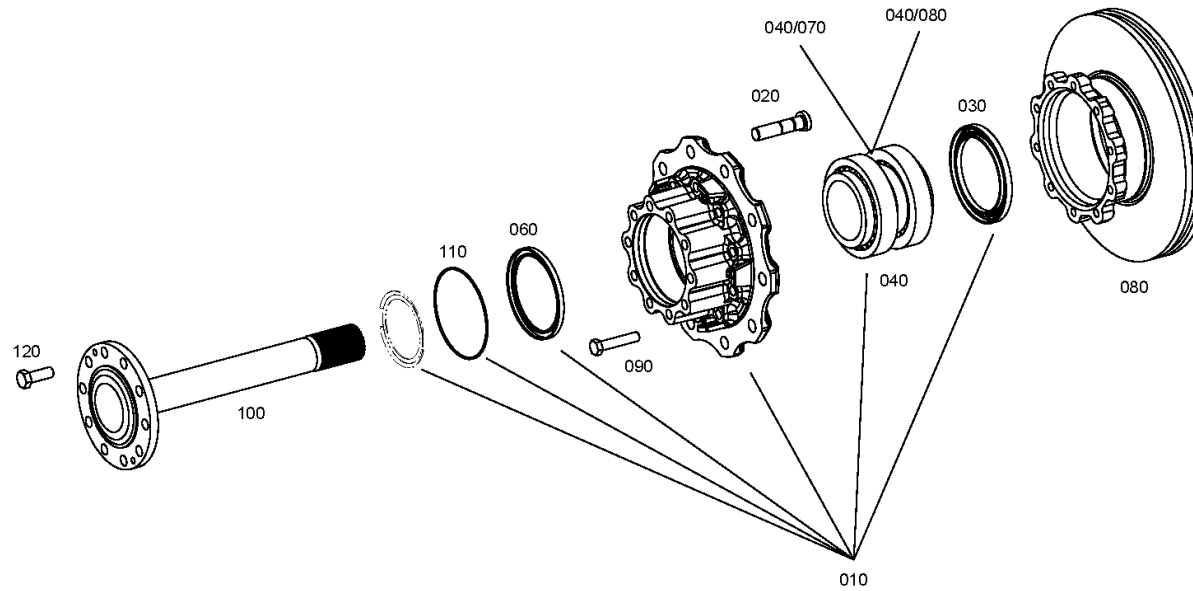
Material number: 4472.037.043

Picture: 447211504250

Material-assembly-group-no: 4472.115.042



AV 132 II/80 /
WHEEL HEAD



Picture

Page 1 from 2

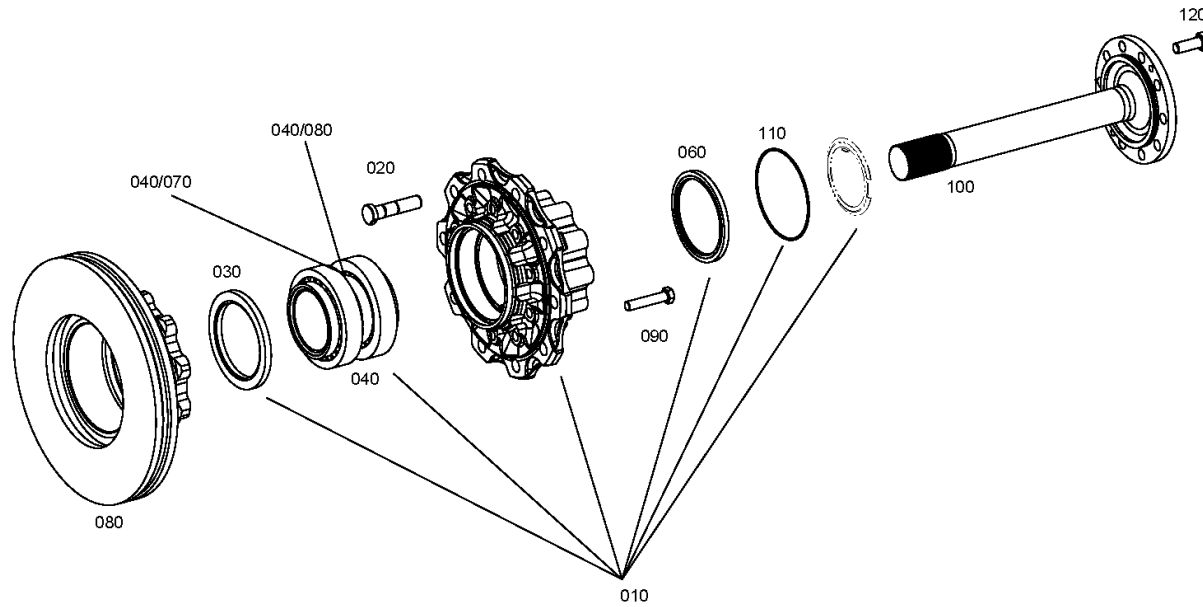
Material number: 4472.037.043

Picture: 447211504200

Material-assembly-group-no: 4472.115.042



AV 132 II/80 /
WHEEL HEAD



Picture

Page 2 from 2

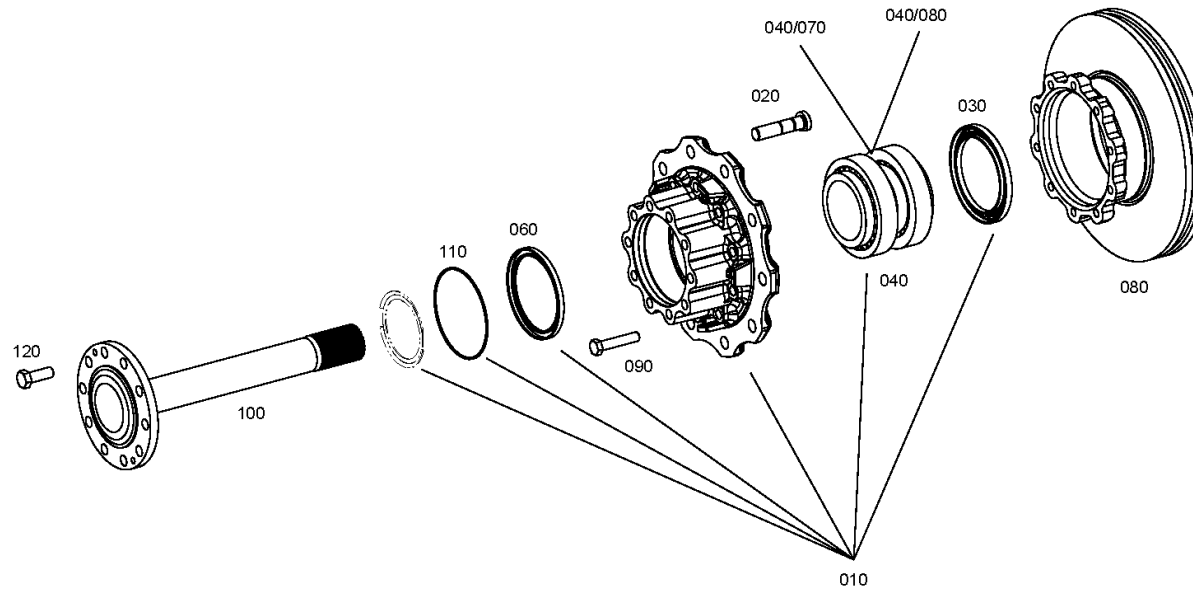
Material number: 4472.037.043

Picture: 447211504250

Material-assembly-group-no: 4472.115.042



AV 132 II/80 /
WHEEL HEAD



Picture

Page 1 from 1

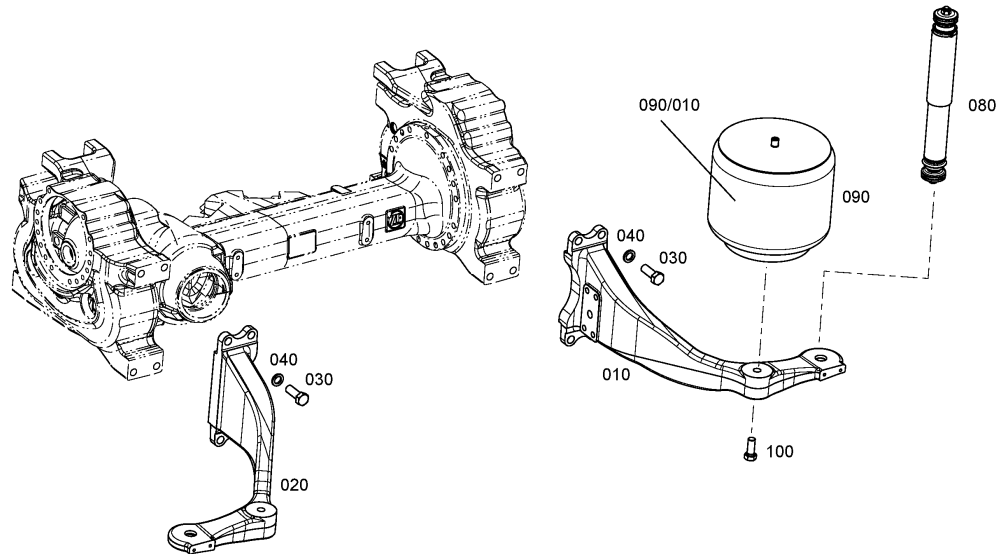
Material number: 4472.037.043

Picture: 447214011000

Material-assembly-group-no: 4472.140.110



AV 132 II/80 /
SUSPENSION



Picture

Page 1 from 3

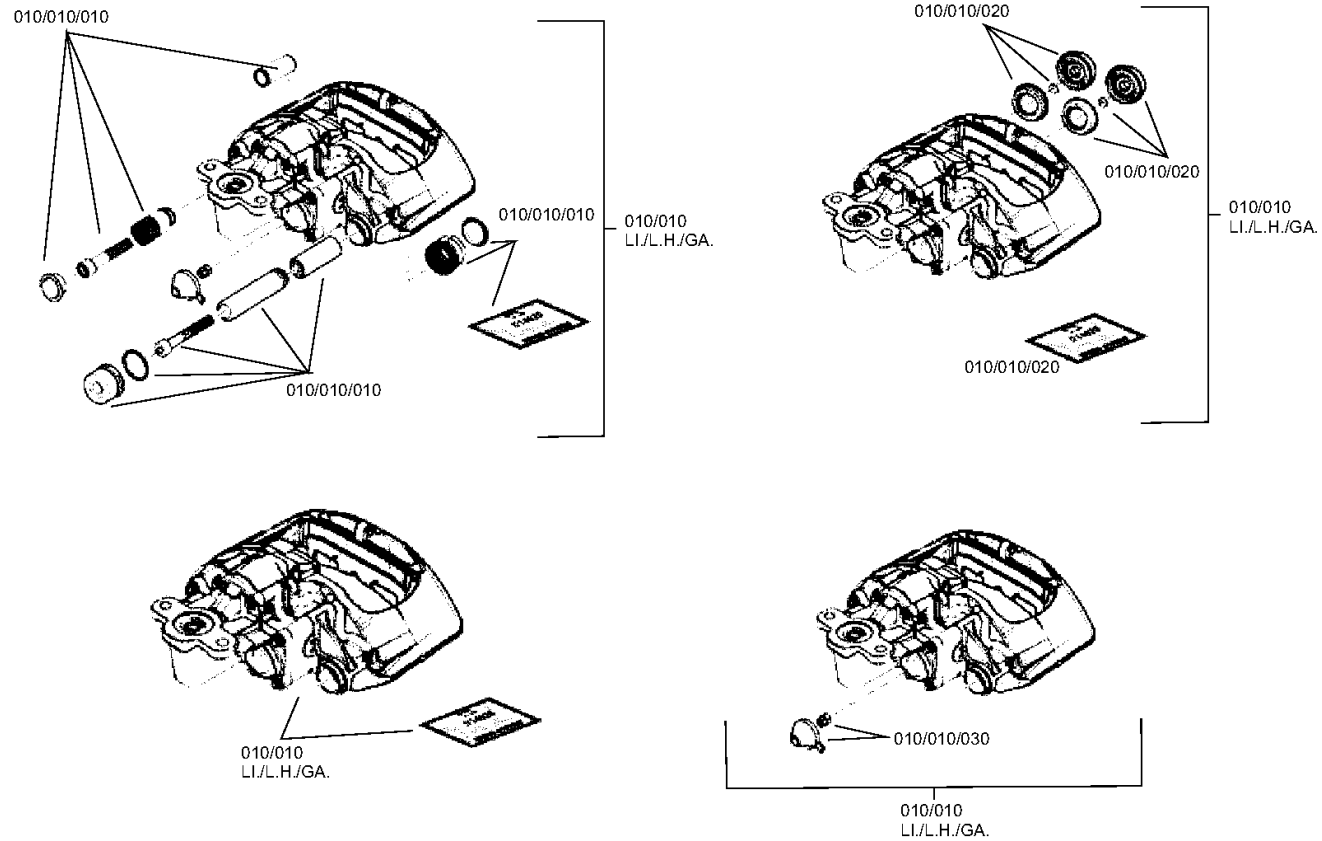
Material number: 4472.037.043

Picture: 447211404501

Material-assembly-group-no: 4472.114.045



AV 132 II/80 /
BRAKE/LEFT



Picture

Page 2 from 3

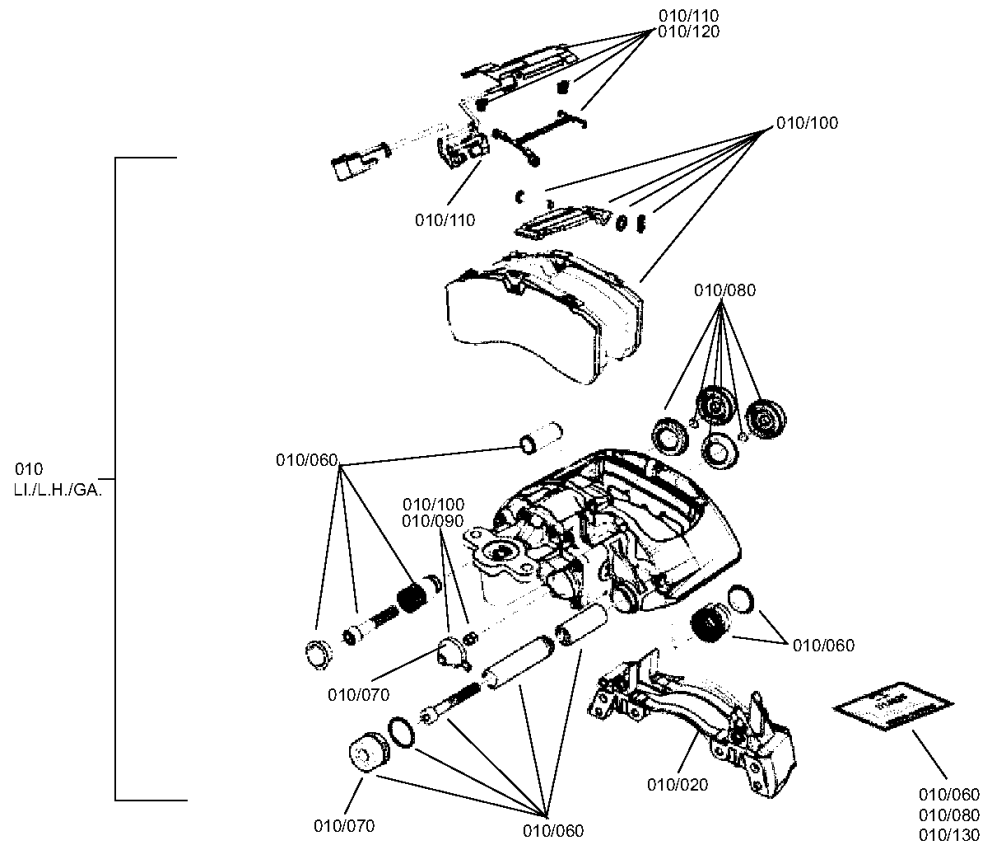
Material number: 4472.037.043

Picture: 447211404502

Material-assembly-group-no: 4472.114.045



AV 132 II/80 /
BRAKE/LEFT



Picture

Page 3 from 3

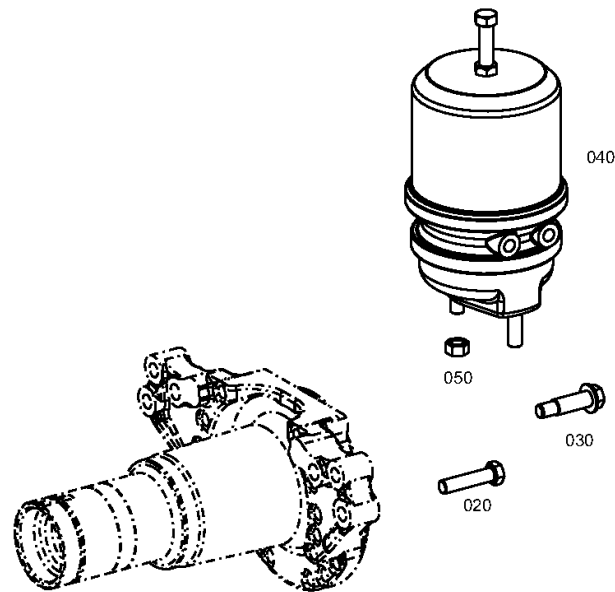
Material number: 4472.037.043

Picture: 447211404503

Material-assembly-group-no: 4472.114.045



AV 132 II/80 /
BRAKE/LEFT



Picture

Page 1 from 3

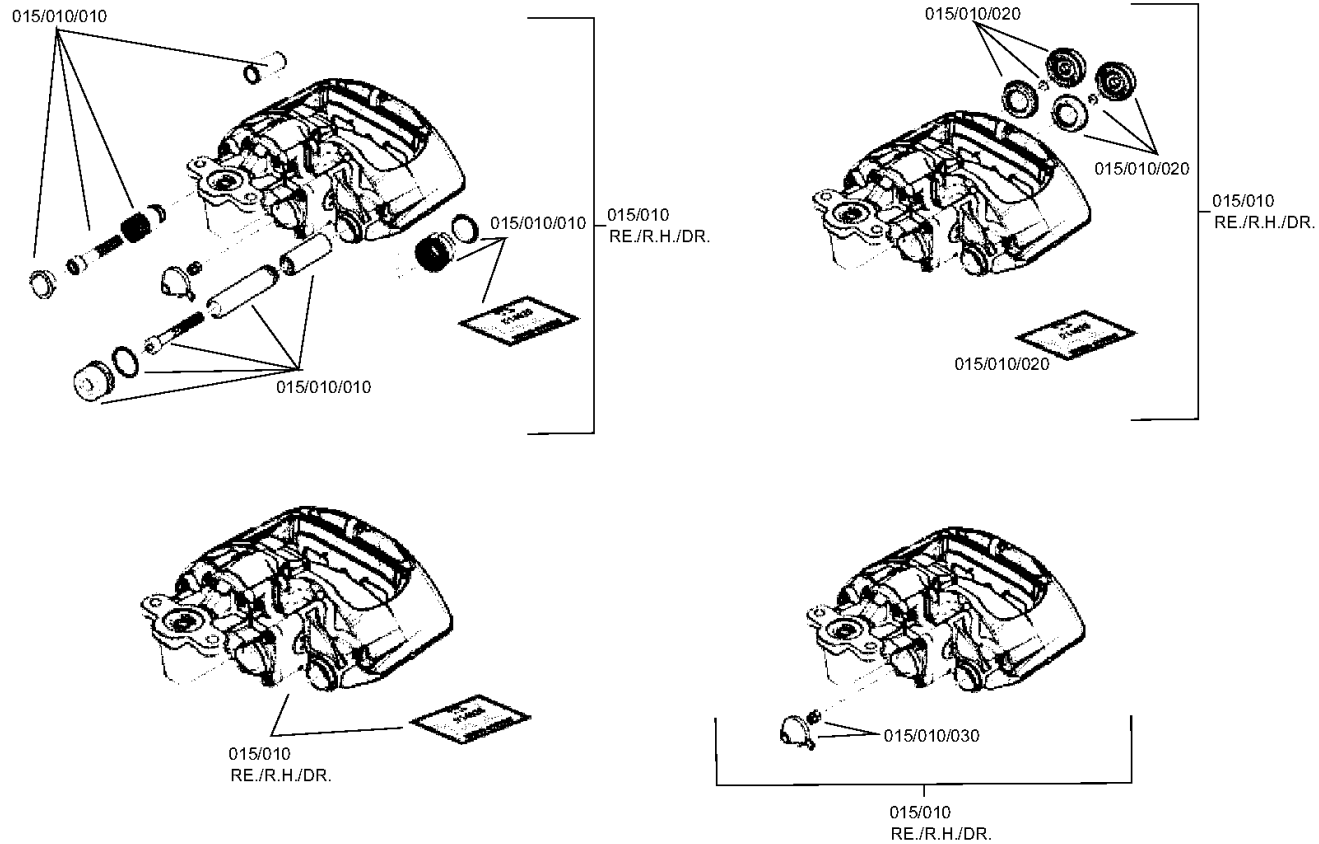
Material number: 4472.037.043

Picture: 447211404601

Material-assembly-group-no: 4472.114.046



AV 132 II/80 /
BRAKE/RIGHT



Picture

Page 2 from 3

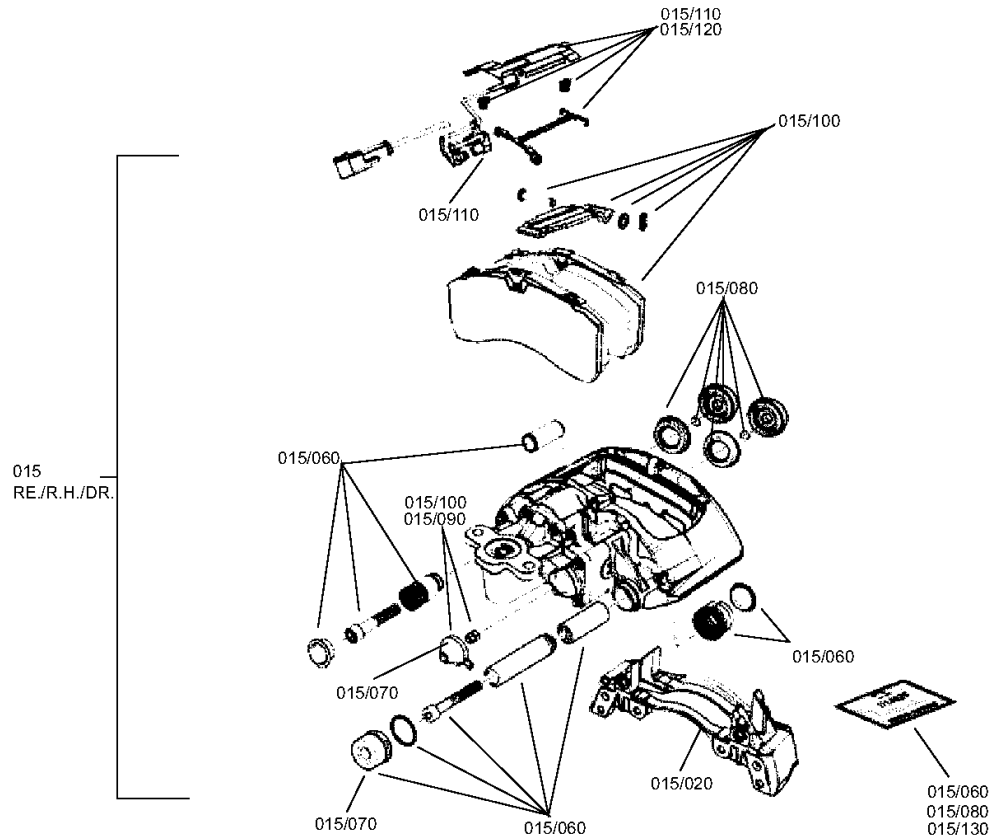
Material number: 4472.037.043

Picture: 447211404602

Material-assembly-group-no: 4472.114.046



AV 132 II/80 /
BRAKE/RIGHT



Picture

Page 3 from 3

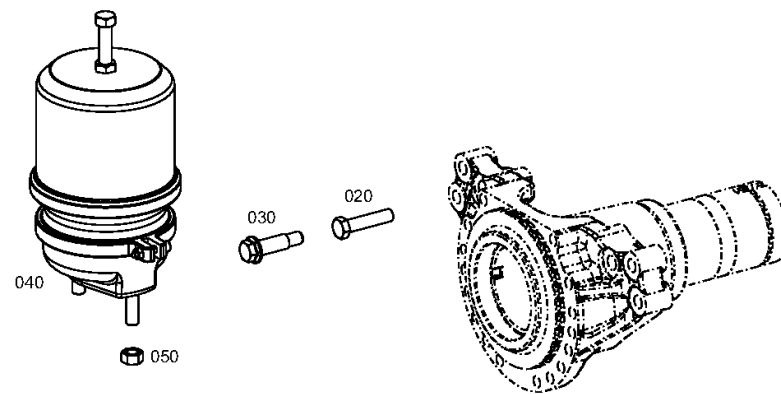
Material number: 4472.037.043

Picture: 447211404603

Material-assembly-group-no: 4472.114.046



AV 132 II/80 /
BRAKE/RIGHT



Picture

Page 1 from 1

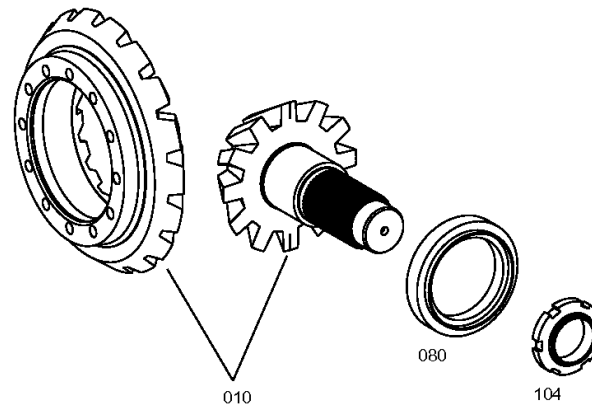
Material number: 4472.031.639

Picture: 447211013600

Material-assembly-group-no: 4472.110.136



AV 132 II/80 /
INPUT



Picture

Page 1 from 1

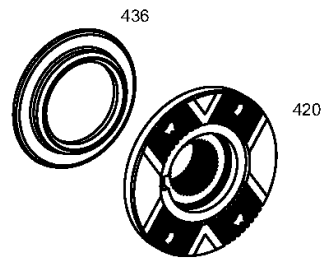
Material number: 4472.031.639

Picture: 446010543100

Material-assembly-group-no: 4460.105.431



AV 132 II/80 /
INPUT FLANGE



Picture

Page 1 from 1

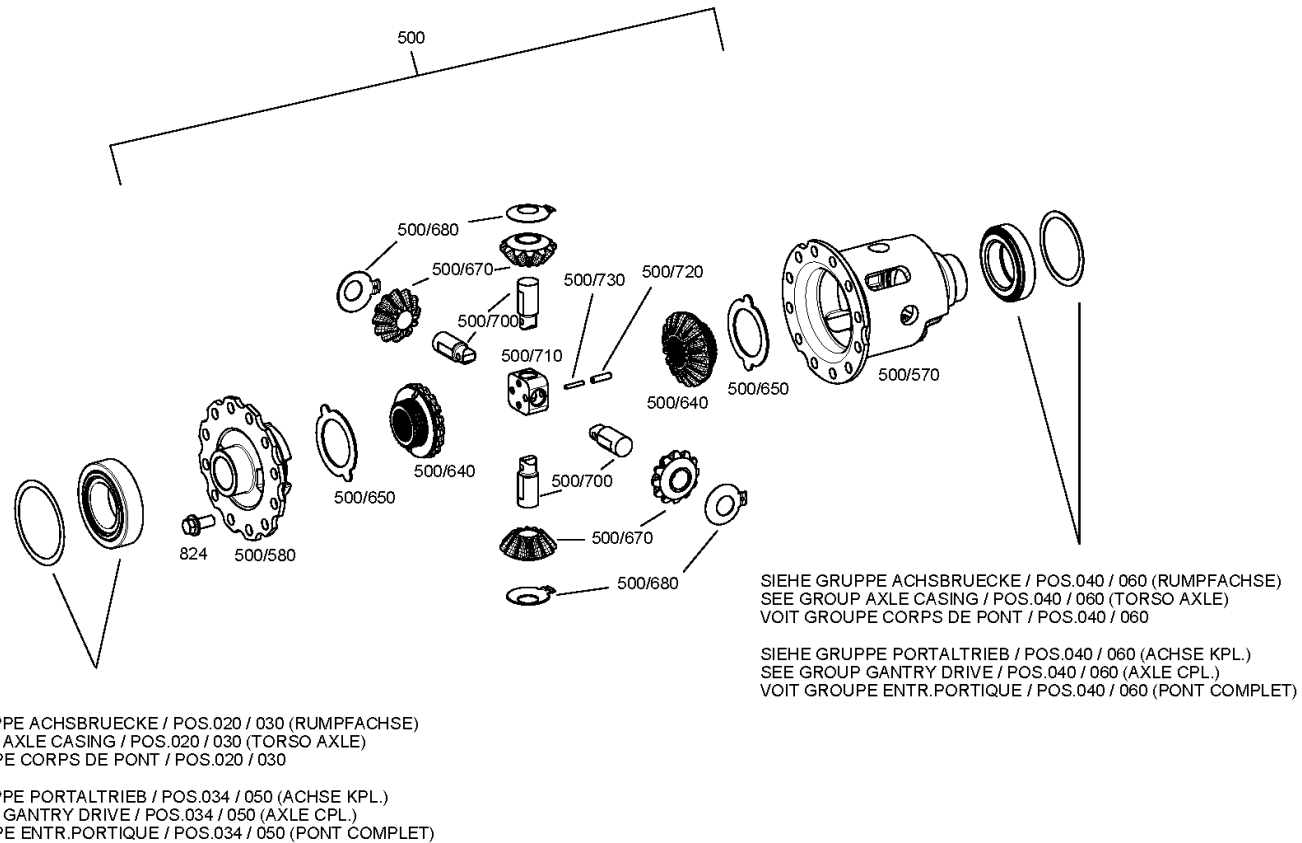
Material number: 4472.031.639

Picture: 446110306800

Material-assembly-group-no: 4461.103.068



AV 132 II/80 /
DIFFERENTIAL



Picture

Page 1 from 1

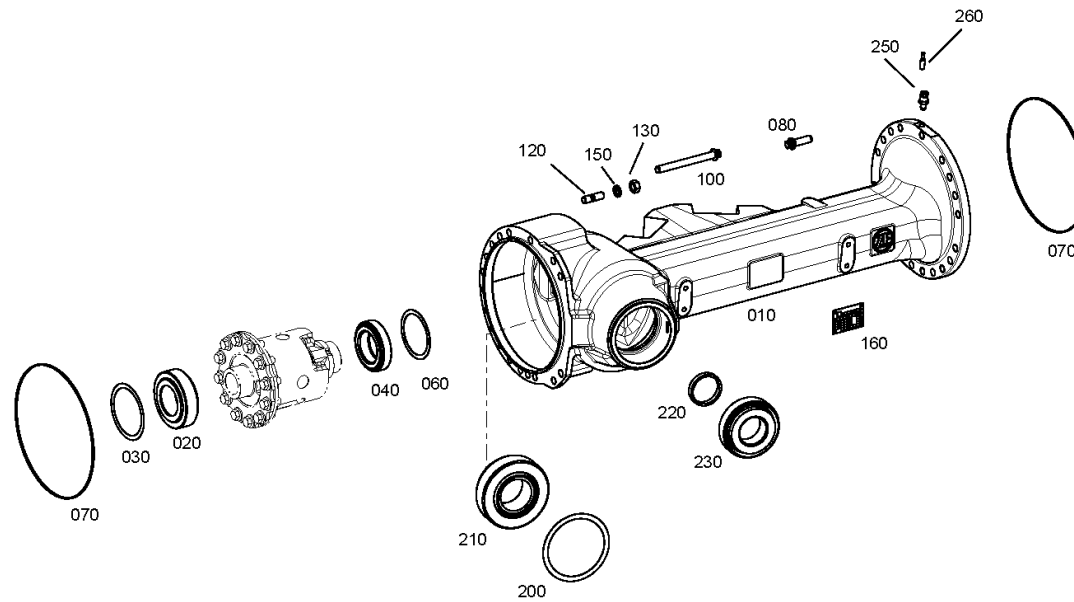
Material number: 4472.031.639

Picture: 447211132000

Material-assembly-group-no: 4472.111.320



AV 132 II/80 /
AXLE CASING



Picture

Page 1 from 1

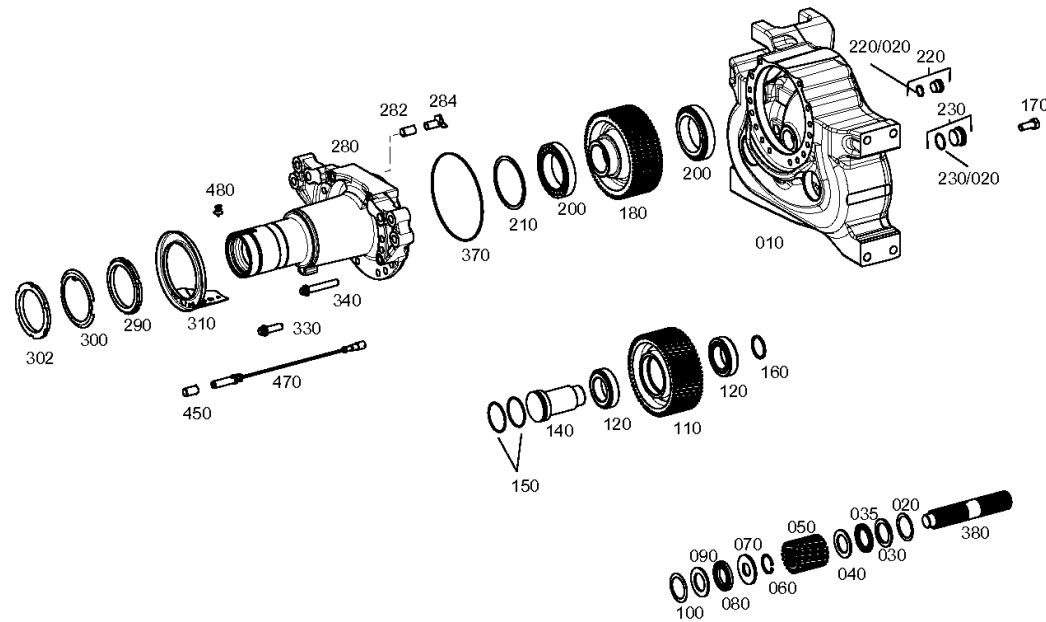
Material number: 4472.031.639

Picture: 447211244000

Material-assembly-group-no: 4472.112.440



AV 132 II/80 /
GANTRY DRIVE LEFT



Picture

Page 1 from 1

Material number: 4472.031.639

Picture: 447211244300

Material-assembly-group-no: 4472.112.443



AV 132 II/80 /
GANTRY DRIVE RIGHT

