



# Spare Parts Catalog

AV 132 II/80

Material number: 4472.040.149

Current date: 21.12.2021

ZF Friedrichshafen AG  
Hauptverwaltung  
80038 Friedrichshafen  
Deutschland

Telefon: +49 7541 77-0

Telefax: +49 7541 77-908000

[www.zf.com](http://www.zf.com)

zuständiges Werk:  
Passau

# Notes relating to the spare parts catalog

## Setup of the spare parts catalog

- Cover sheet
- Technical Cover (only in SDM print)
- Overview of figures
- Figure
- Associated parts list
- Next figure
- Associated parts list
- ...

## Figure and parts list



## Overview of figures

Bildtafel Figure	Sachnummer Product number	Benennung (Description)	Technische Info Technical info	Description (Benennung)	Menge Quantity	Einheit Unit
068.08.17	1316.170.001	AUSLEGER	WL	SHIFT TURRET	1	Stk
068.08.06	1316.170.031	DECKEL	WL*H-H *VM	COVER	1	Stk
068.08.14	1316.170.808	DECKEL	WL*AUSL+GEH*H-H*HF160N	COVER	1	Stk
08	1316.170.441	ANSCHLUSSTEILE	WL*NG-VORB*RG-SCHL*168N *BAJONETT	CONNECTING PARTS	1	Stk

The "gap" indicates that there is no separate graphics panel (poster) for this assembly  
The parts of this assembly are shown with the same mid-section number on the figure

### 1 Positions and subpositions

Pos.	Sachnummer Product number	Benennung (Description)	Technische Info Technical info	Description (Benennung)	Menge Quantity	Einheit Unit
0370	1315.201.054	RUECKLAUFBOLZEN	KPL.16S151*SG*L= 79	REV.IDLER SHAFT	1	Stk
/0120	0631.329.293	SPANNSTIFT		SLOT. PIN	1	Stk

Positions marked with "/" are the individual items of a completion  
For example: Position 0370 contains a centering pin with the position /0120

### 2 Combinations with standardized parts

Pos.	Sachnummer Product number	Benennung (Description)	Technische Info Technical info	Description (Benennung)	Menge Quantity	Einheit Unit
0630		VERSCHL.SCHR.		SCREW PLUG	1	Stk
	0636.302.067	VERSCHL.SCHR.		SCREW PLUG	1	Stk
	0634.801.249	DICHTRING	A 26 X 31	SEALING RING	1	Stk

The parts list shows the components included in the combination of standardized parts

### 3 Depiction of position/item number on the figure and in the parts list

01.620 - on the figure      01 relates to the assembly in which the position is included. Due to program-related reasons, it is shown on the figure.

0620 - in the parts list

Pos.	Sachnummer Product number	Benennung (Description)	Technische Info Technical info	Description (Benennung)	Menge Quantity	Einheit Unit
0620	0732.040.736	DRUCKFEDER		COMPRESSION SPRING	1	Stk

### 4 \*-Positions

Positions marked with an \* are optional i.e. inclusion in the parts list is not mandatory.  
The following note is shown on the figure

je nach Stücklistenausführung  
depending on spec. number  
\*  
suivant la nomenclature  
secondo la distinta base

### 5 Parts, dotted display

Parts with dotted display on the figure are only used for orientation of other parts

# Assembly group overview

Page 1 from 1

Material number: 4472.040.149



AV 132 II/80 /

Graphics	Pos.	Material number	Name	Quantity	Amend. no.	Techn. Info.
	10	4472.031.417	BARE AXLE	1		
447211504200	20	4472.115.042	WHEEL HEAD	1		
447211504200	22	4472.115.042	WHEEL HEAD	1		
447211404501	30	4472.114.045	BRAKE/LEFT	1		
447211404601	40	4472.114.046	BRAKE/RIGHT	1		
447214007400	50	4472.140.074	SUSPENSION	1		

# Plant

Page 1 from 2

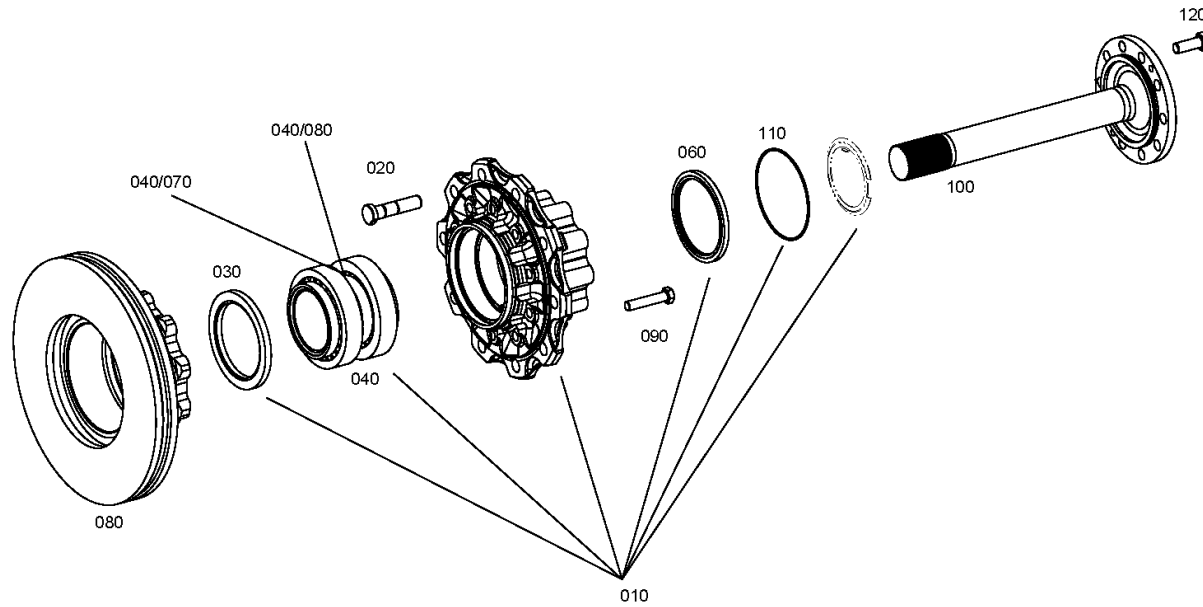
Material number: 4472.040.149

Plant: 447211504200

Material-assembly-group-no: 4472.115.042



AV 132 II/80 /  
WHEEL HEAD



# Plant

Page 2 from 2

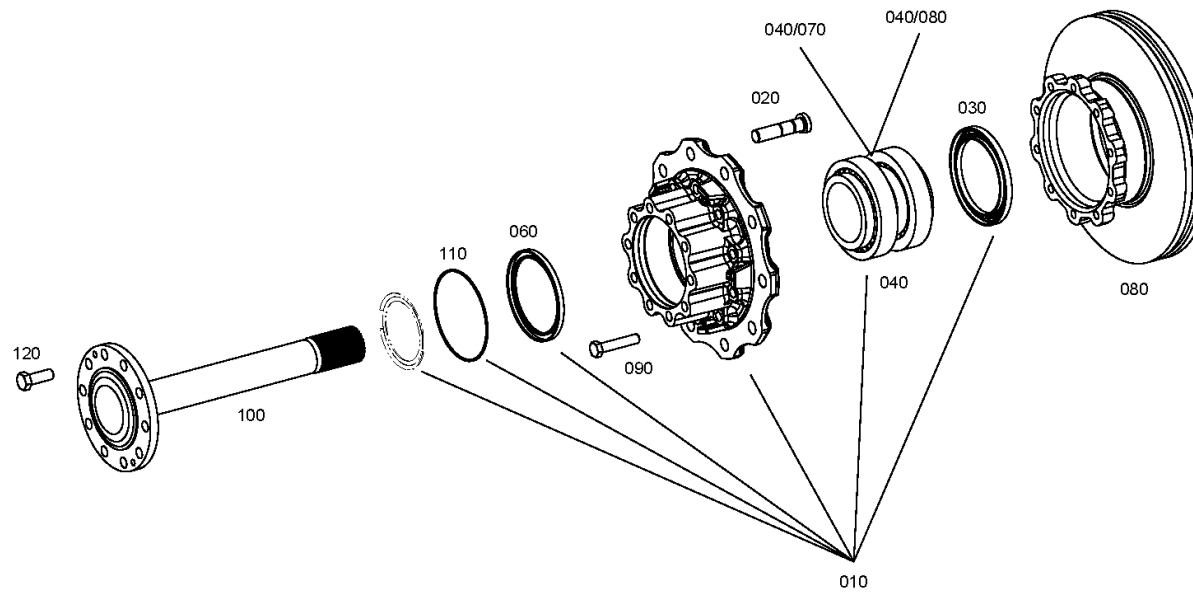
Material number: 4472.040.149

Plant: 447211504250

Material-assembly-group-no: 4472.115.042



AV 132 II/80 /  
WHEEL HEAD



# Plant

Page 1 from 2

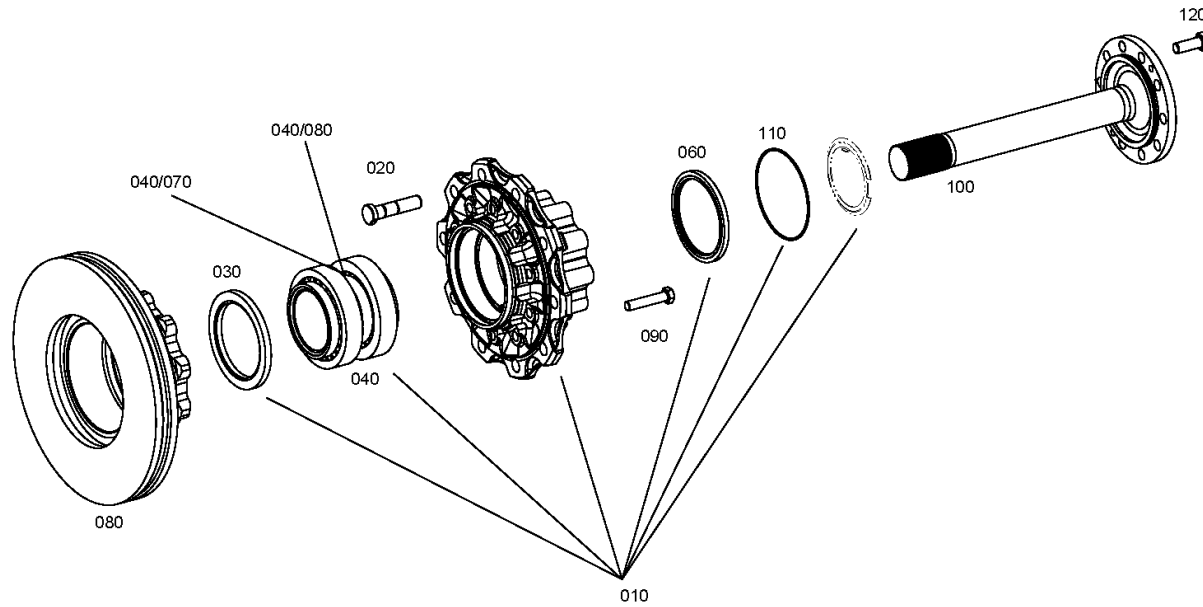
Material number: 4472.040.149

Plant: 447211504200

Material-assembly-group-no: 4472.115.042



AV 132 II/80 /  
WHEEL HEAD



# Plant

Page 2 from 2

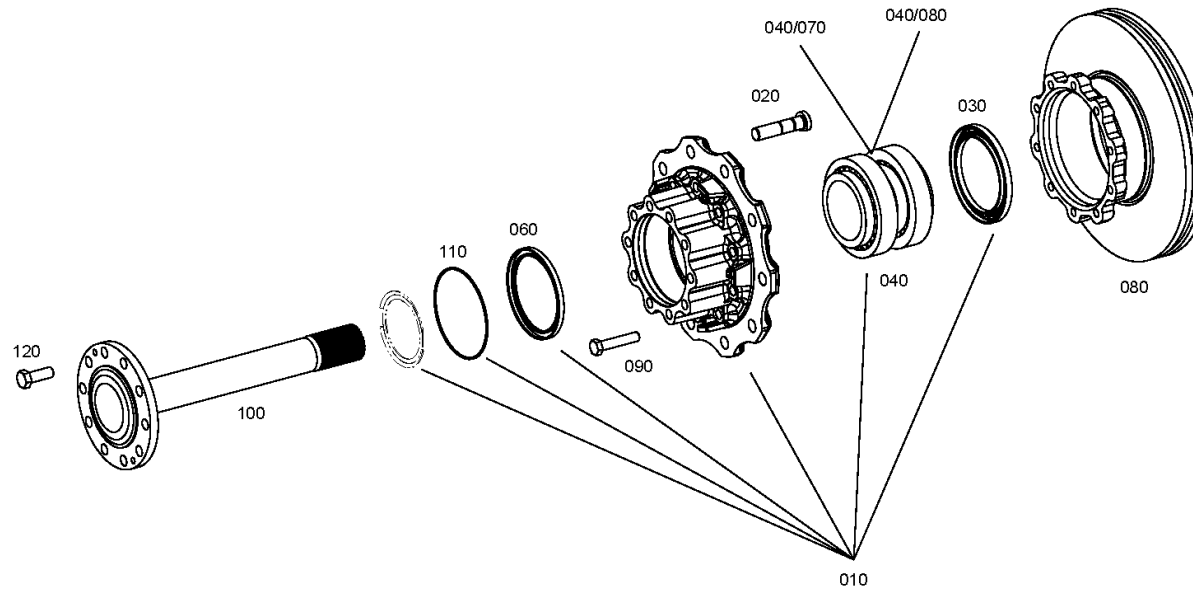
Material number: 4472.040.149

Plant: 447211504250

Material-assembly-group-no: 4472.115.042



AV 132 II/80 /  
WHEEL HEAD



# Plant

Page 1 from 3

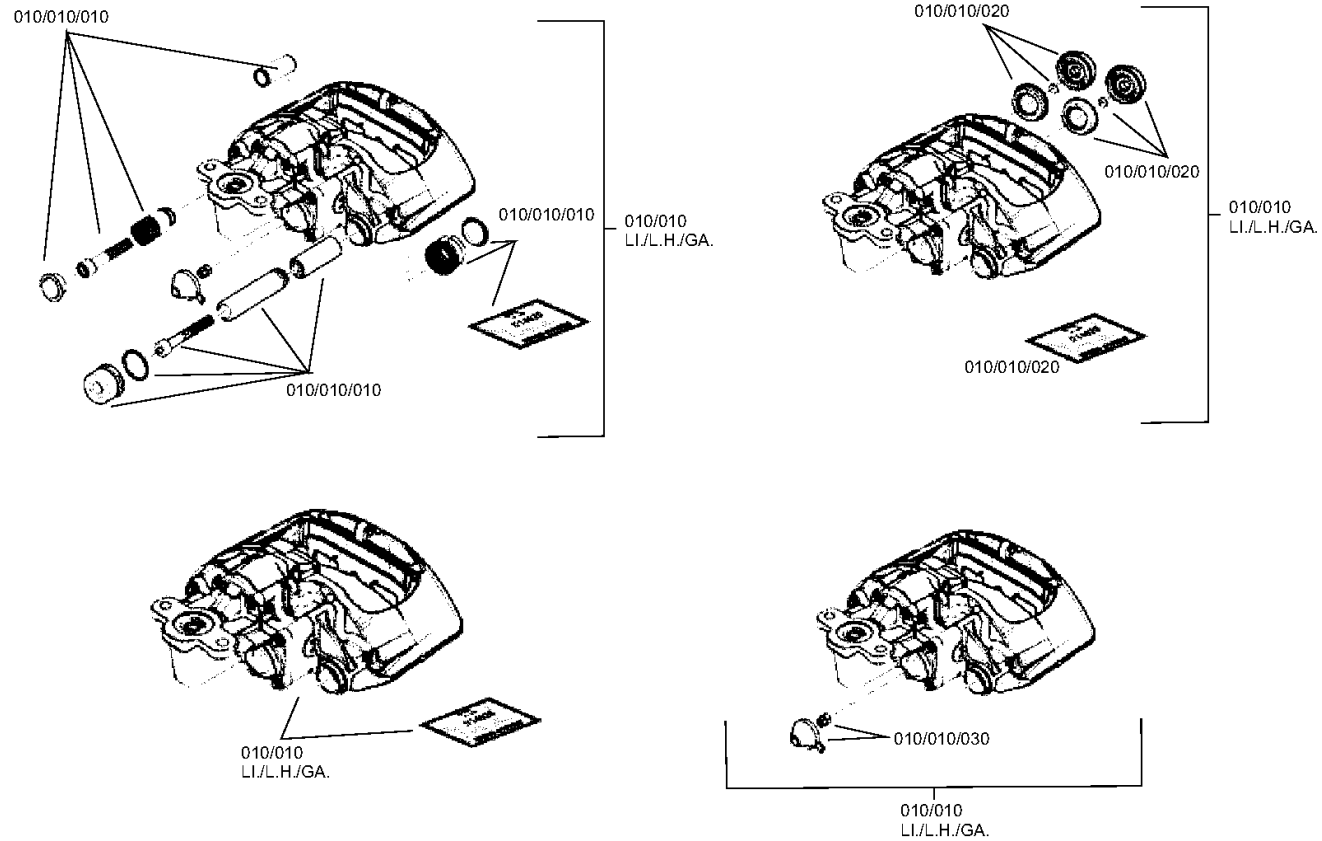
Material number: 4472.040.149

Plant: 447211404501

Material-assembly-group-no: 4472.114.045



AV 132 II/80 /  
BRAKE/LEFT





# Plant

Page 2 from 3

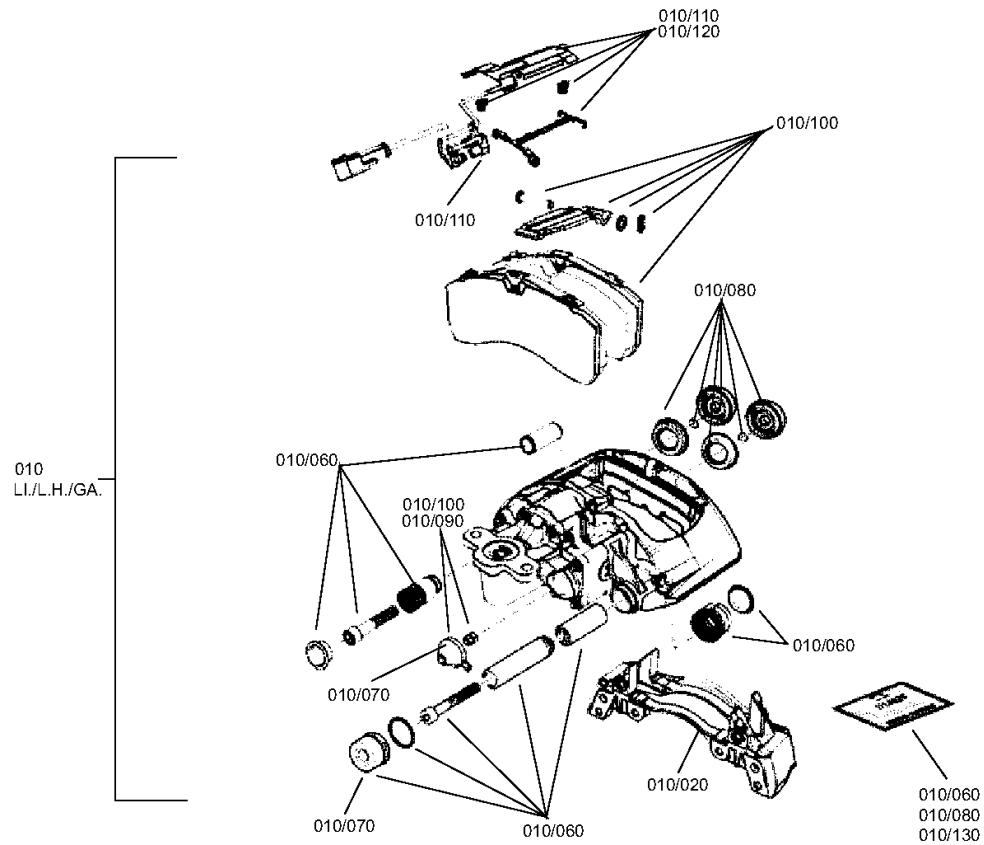
Material number: 4472.040.149

Plant: 447211404502

Material-assembly-group-no: 4472.114.045



AV 132 II/80 /  
BRAKE/LEFT



# Plant

Page 3 from 3

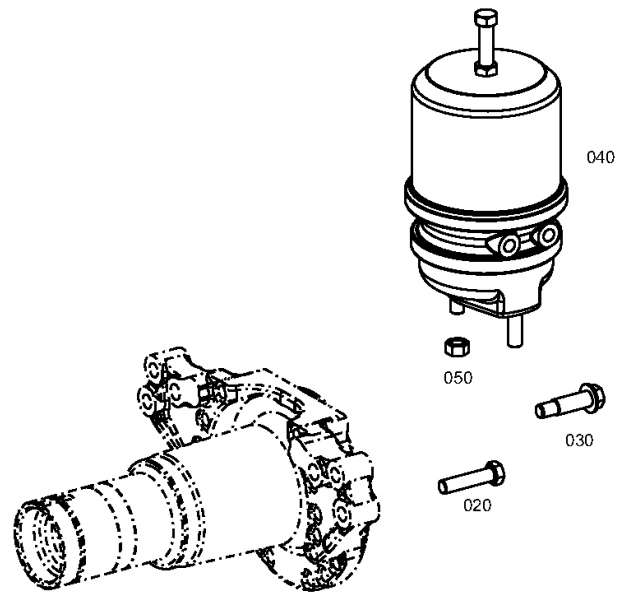
Material number: 4472.040.149

Plant: 447211404503

Material-assembly-group-no: 4472.114.045



AV 132 II/80 /  
BRAKE/LEFT



# Plant

Page 1 from 3

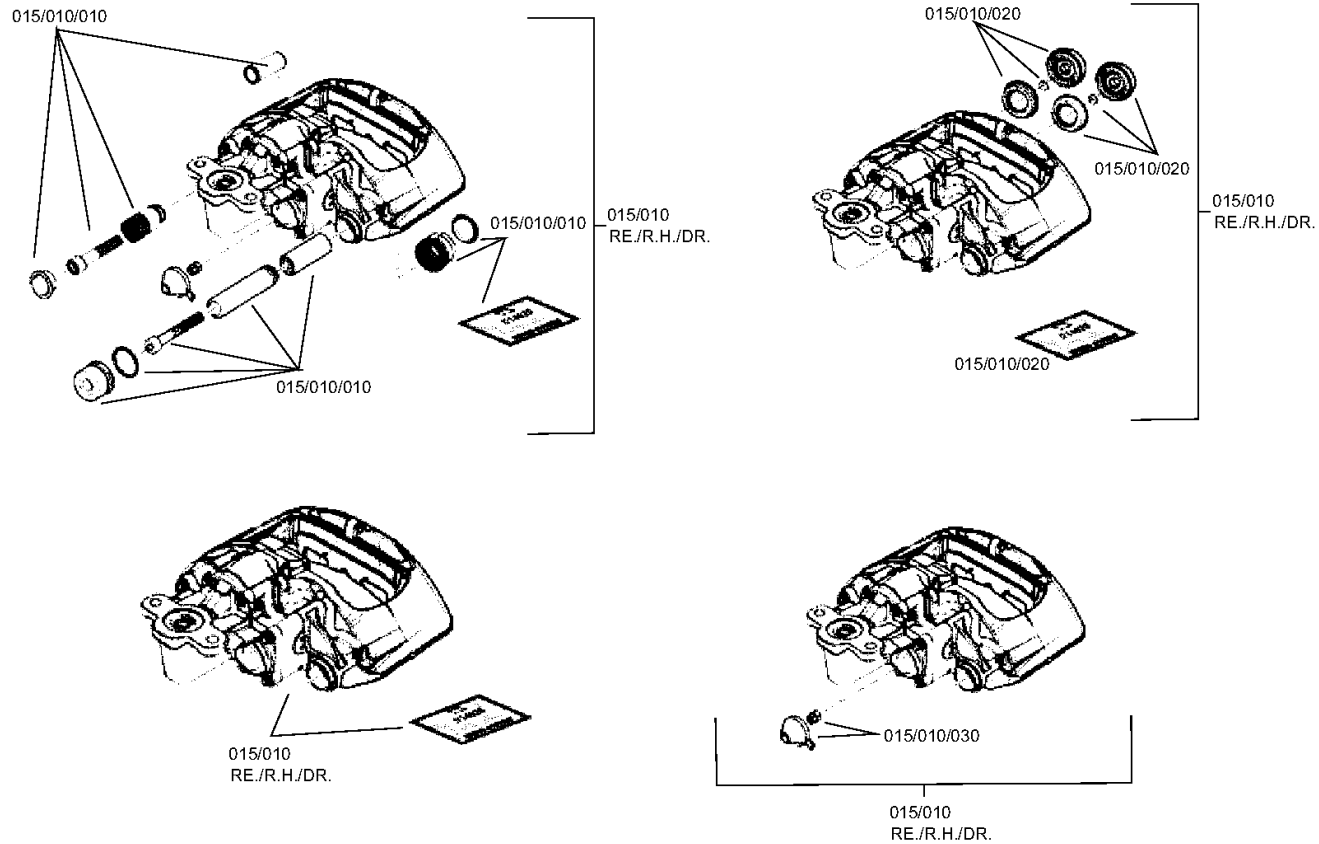
Material number: 4472.040.149

Plant: 447211404601

Material-assembly-group-no: 4472.114.046



AV 132 II/80 /  
BRAKE/RIGHT



# Plant

Page 2 from 3

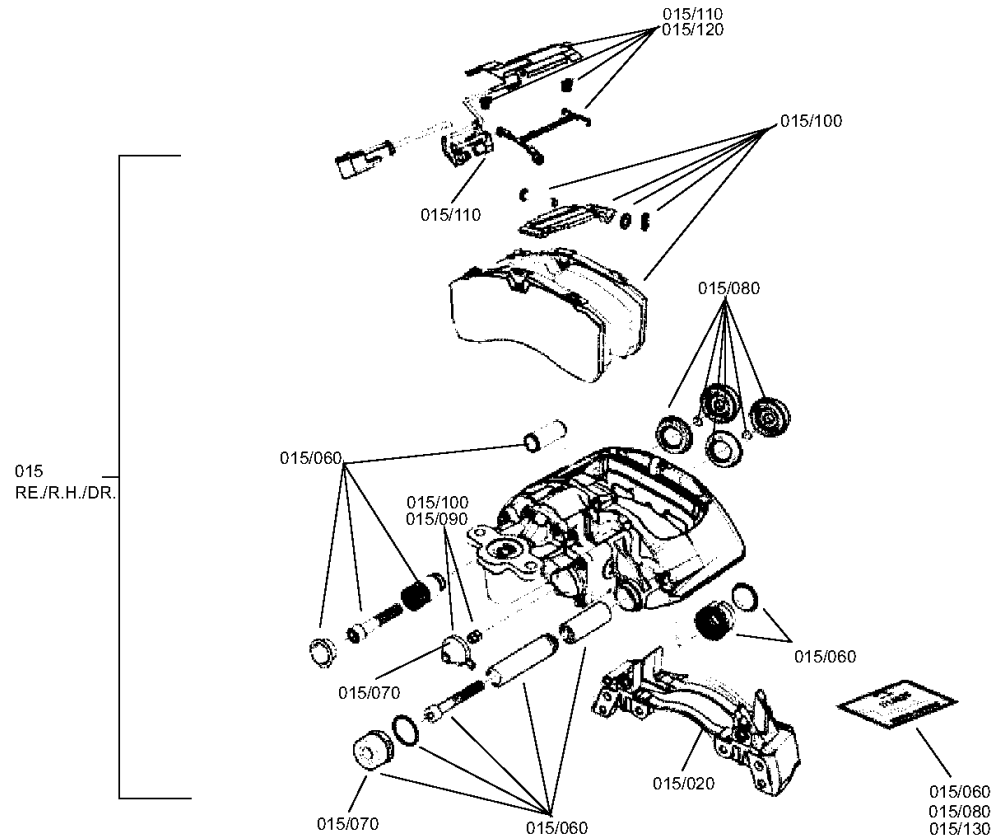
Material number: 4472.040.149

Plant: 447211404602

Material-assembly-group-no: 4472.114.046



AV 132 II/80 /  
BRAKE/RIGHT



# Plant

Page 3 from 3

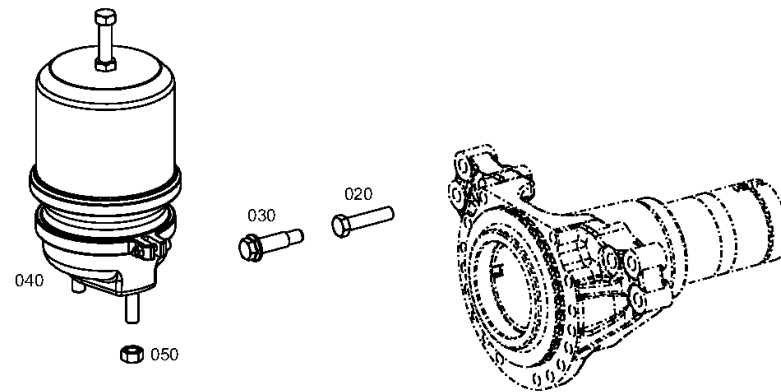
Material number: 4472.040.149

Plant: 447211404603

Material-assembly-group-no: 4472.114.046



AV 132 II/80 /  
BRAKE/RIGHT



# Plant

Page 1 from 1

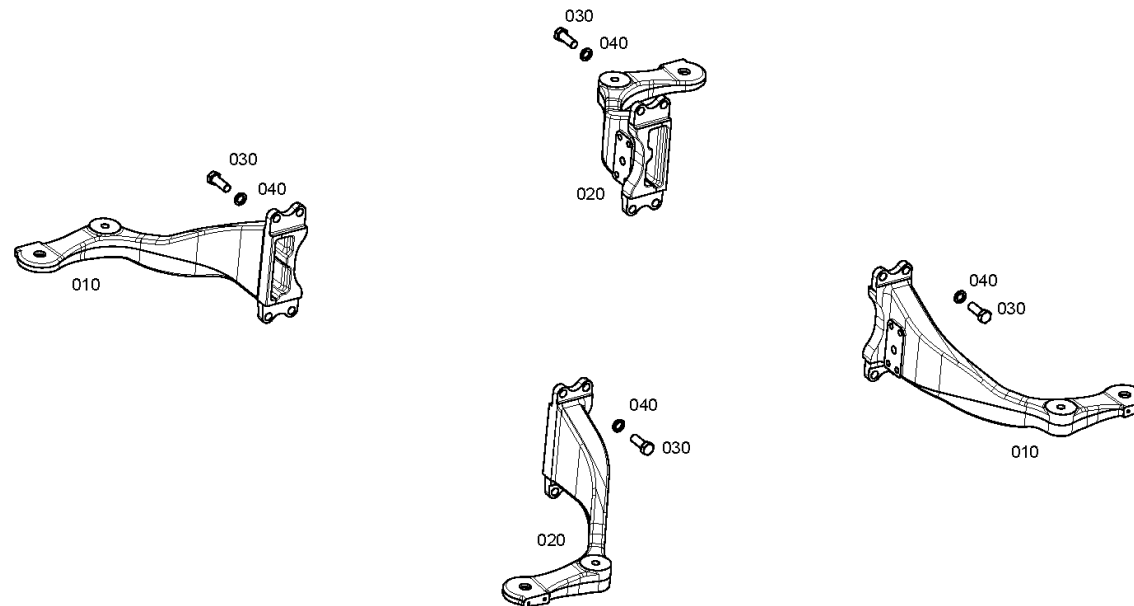
Material number: 4472.040.149

Plant: 447214007400

Material-assembly-group-no: 4472.140.074



AV 132 II/80 /  
SUSPENSION



# Plant

Page 1 from 1

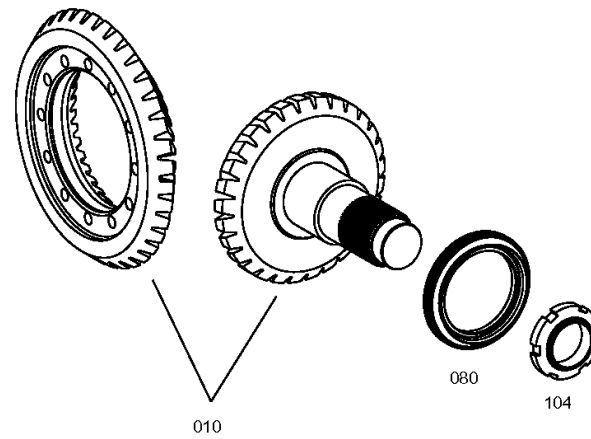
Material number: 4472.031.417

Plant: 447211011100

Material-assembly-group-no: 4472.110.111



AV 132 II/80 /  
INPUT



# Plant

Page 1 from 1

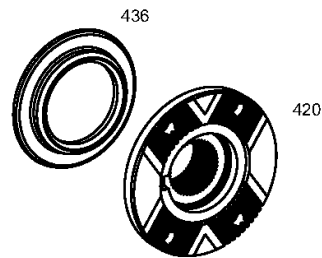
Material number: 4472.031.417

Plant: 446010543100

Material-assembly-group-no: 4460.105.431



AV 132 II/80 /  
INPUT FLANGE





# Plant

Page 1 from 1

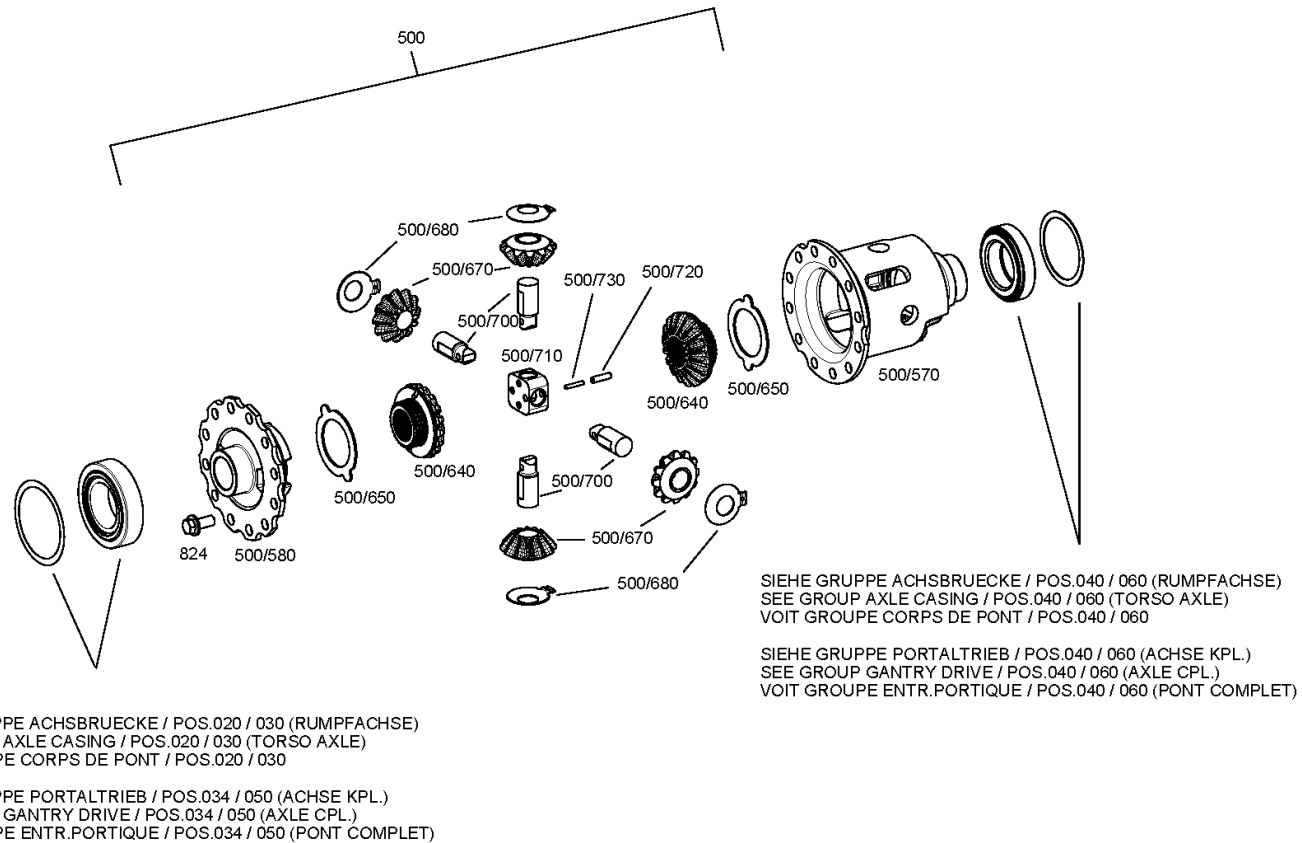
Material number: 4472.031.417

Plant: 446110306800

Material-assembly-group-no: 4461.103.068



AV 132 II/80 /  
DIFFERENTIAL



# Plant

Page 1 from 1

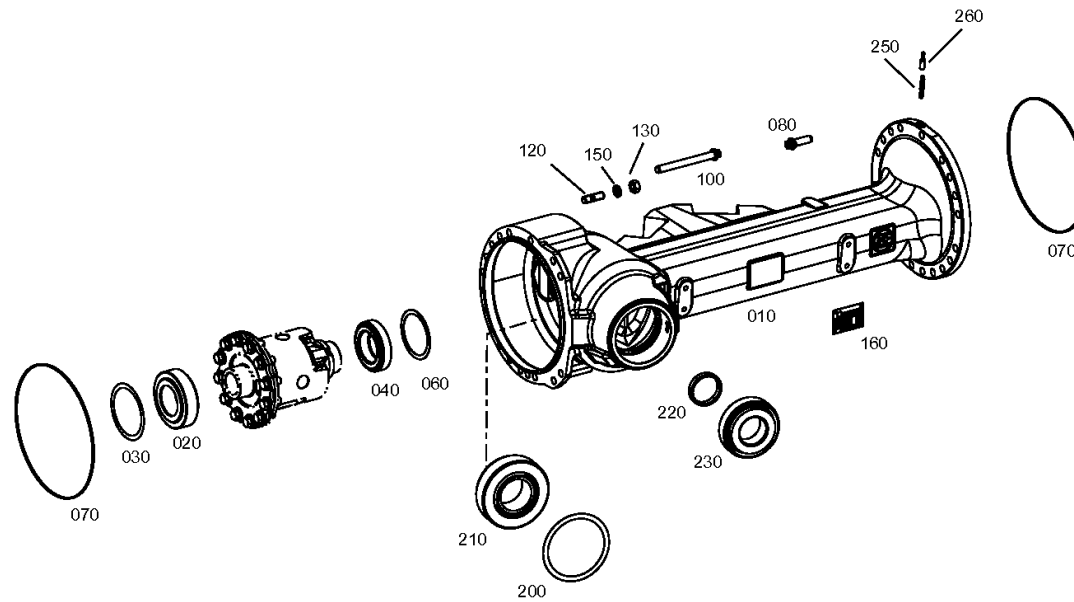
Material number: 4472.031.417

Plant: 447211124800

Material-assembly-group-no: 4472.111.248



AV 132 II/80 /  
AXLE CASING



# Plant

Page 1 from 1

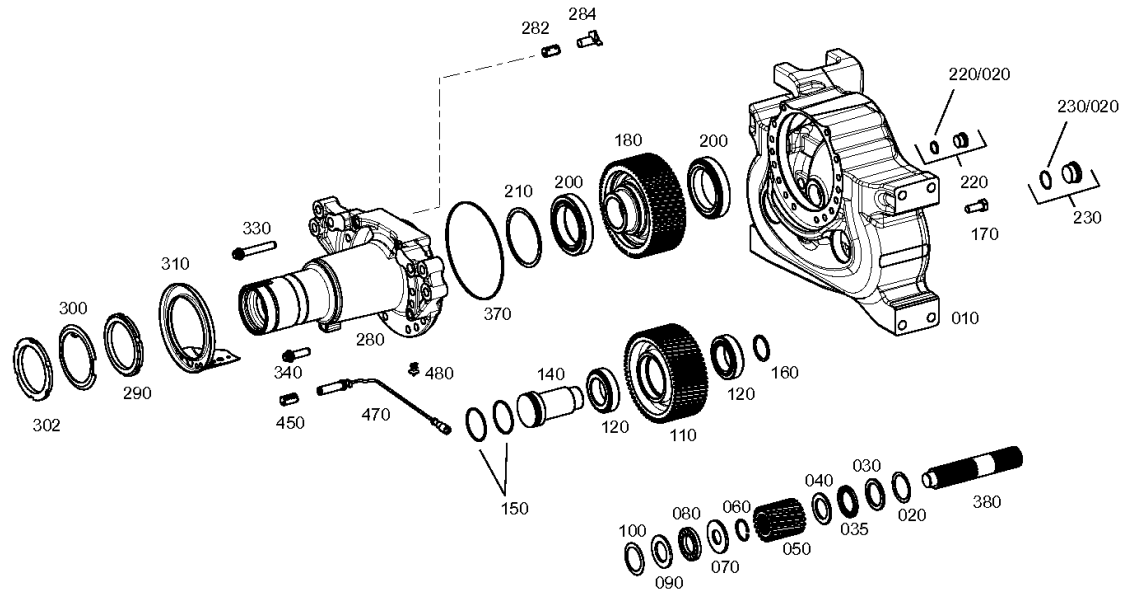
Material number: 4472.031.417

Plant: 447211237800

Material-assembly-group-no: 4472.112.378



AV 132 II/80 /  
GANTRY DRIVE LEFT



# Plant

Page 1 from 1

Material number: 4472.031.417

Plant: 447211239100

Material-assembly-group-no: 4472.112.391



AV 132 II/80 /  
GANTRY DRIVE RIGHT

