



# Spare Parts Catalog

MT-E 3060 HL II

Material number: 4472.048.200

Current date: 12.04.2023

ZF Friedrichshafen AG  
Hauptverwaltung  
80038 Friedrichshafen  
Deutschland

Telefon: +49 7541 77-0

Telefax: +49 7541 77-908000

[www.zf.com](http://www.zf.com)

zuständiges Werk:  
Passau

# Notes relating to the spare parts catalog

## Setup of the spare parts catalog

- Cover sheet
- Technical Cover (only in SDM print)
- Overview of figures
- Figure
- Associated parts list
- Next figure
- Associated parts list
- ...

## Figure and parts list



## Overview of figures

Bildtafel Figure	Sachnummer Product number	Benennung (Description)	Technische Info Technical info	Description (Benennung)	Menge Quantity	Einheit Unit
068.08.17	1316.170.001	AUSLEGER	WL	SHIFT TURRET	1	Stk
068.08.06	1316.170.031	DECKEL	WL*H-H *VM	COVER	1	Stk
068.08.14	1316.170.808	DECKEL	WL*AUSL+GEH*H-H*HF160N	COVER	1	Stk
08	1316.170.441	ANSCHLUSSTEILE	WL*NG-VORB*RG-SCHL*168N *BAJONETT	CONNECTING PARTS	1	Stk

The "gap" indicates that there is no separate graphics panel (poster) for this assembly  
The parts of this assembly are shown with the same mid-section number on the figure

### 1 Positions and subpositions

Pos.	Sachnummer Product number	Benennung (Description)	Technische Info Technical info	Description (Benennung)	Menge Quantity	Einheit Unit
0370	1315.201.054	RUECKLAUFBOLZEN	KPL.16S151*SG*L= 79	REV.IDLER SHAFT	1	Stk
/0120	0631.329.293	SPANNSTIFT		SLOT. PIN	1	Stk

Positions marked with "/" are the individual items of a completion  
For example: Position 0370 contains a centering pin with the position /0120

### 2 Combinations with standardized parts

Pos.	Sachnummer Product number	Benennung (Description)	Technische Info Technical info	Description (Benennung)	Menge Quantity	Einheit Unit
0630		VERSCHL.SCHR.		SCREW PLUG	1	Stk
	0636.302.067	VERSCHL.SCHR.		SCREW PLUG	1	Stk
	0634.801.249	DICHTRING	A 26 X 31	SEALING RING	1	Stk

The parts list shows the components included in the combination of standardized parts

### 3 Depiction of position/item number on the figure and in the parts list

01.620 - on the figure      01 relates to the assembly in which the position is included. Due to program-related reasons, it is shown on the figure.

0620 - in the parts list

Pos.	Sachnummer Product number	Benennung (Description)	Technische Info Technical info	Description (Benennung)	Menge Quantity	Einheit Unit
0620	0732.040.736	DRUCKFEDER		COMPRESSION SPRING	1	Stk

### 4 \*-Positions

Positions marked with an \* are optional i.e. inclusion in the parts list is not mandatory.  
The following note is shown on the figure

je nach Stücklistenausführung  
depending on spec. number  
\*  
suivant la nomenclature  
secondo la distinta base

### 5 Parts, dotted display

Parts with dotted display on the figure are only used for orientation of other parts

# Technical Cover

Page 1 from 2

Material number: 4472.048.200



MT-E 3060 HL II /

Pos.	Information	Amendment number
	KUNDENNAME: CAT	
	KUNDEN-IDENT-NUMMER: 331-1385	
	FAHRZEUGBEZEICHNUNG: M318D	
	REIFENGROESSE: 10.00R20	
	REIFENRADIUS DYN: 0,507 M	
	ENDGESCHWINDIGKEIT: 30 KM/H	
	SPURWEITE: 1.944 MM	
	PRODUKTBESCHREIBUNG: ZF- MULTITRAC ACHSE	
	FAHRZEUGART: MOBILBAGGER	
	ACHSENTYP: MT-E 3060	
	AUSFUEHRUNG: STARR	
	ACHSANORDNUNG: HINTERACHSE	
	DREHRICHTUNG RITZEL: EDUL	
	TELLERRADLAGE: LINKS	
	SPIRALRICHTUNG: LINKS	
	GETRIEBEANBAU: MIT	
	FLANSCHMASS.: 1.920 MM	
	AUFHAENGUNG: FEDERBLATT	
	QUERDIFFERENTIAL: OFFEN	
	ACHSUEBERSETZUNG: 16,000	
	PLANETENTRIEB: P3, I=6,4	
	BETRIEBSBREMSE: LAMELLENBREMSE 235 X 155 X 5,5	
	BREMSANSCHLUSS: M14 X 1,5	
	FELGENLOCHKREIS: 335,00 MM	
	RADANSCHLUSS: BOLZEN 10 X M22 X 1,5 X 87	
	RADMUTTER: OHNE	
	ACHSE OELFUELLUNG: MIT	
	OELSORTE: TE ML 05 (TITAN POWERFLUID)	
	OELSORTE ZUL.: TE ML 05 C/D/E/F/G	
	FARBE: TIEFSCHWARZ RAL 9005	
	DECKLACK: 2K-LACK CATERPILLAR SCHWARZ	
	ABD. FARBFREIE FLAECHE: STANDARD MOBILBAGGER	
	TYPENSCHILD: CATERPILLAR	

# Technical Cover

Page 2 from 2

Material number: 4472.048.200



MT-E 3060 HL II /

Pos.	Information	Amendment number
	GETRIEBE-VERSION: II MIT SCHMIERPUMPE	
	OELMENGE PLANETENTRIEB: 2,50 L	
	OELMENGE ACHSBRUECKE: 12,00 L	
	OELMENGE GESAMT CA: 17,00 L	
	DOKUMENTATION: -----	
	SCHNITTZEICHNUNG: 4472.048.216	
	EINBAUZEICHNUNG: 4472.648.012	
	EINBAURICHTLINIEN: 4472.700.067	
	PRÜFANWEISUNG: 4472.760.021	
	FARBREIE FLAECHE: 4472.700.068	

# Assembly group overview

Page 1 from 1



Material number: 4472.048.200

MT-E 3060 HL II /

Picture	Pos.	Material number	Name	Quantity	Amend. no.	Techn. Info.
	150	4143.020.123	2 HL 290	1		
447212502800	10	4472.125.028	INPUT	1		
448203000800	30	4482.030.008	DIFFERENTIAL	1		
447212601150	70	4472.126.011	AXLE CASING	1		
447212643500	80	4472.126.435	AXLE CASING	1		
447212900900	120	4472.129.009	HUB CARRIER	1		
447213303700	130	4472.133.037	OUTPUT	1		
447213340700	140	4472.133.407	OUTPUT	1		
414313901000	900	4143.139.010	TYPE PLATE	1		

# Picture

Page 1 from 1

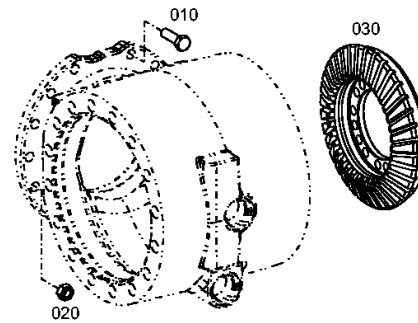
Material number: 4472.048.200

Picture: 447212502800

Material-assembly-group-no: 4472.125.028



MT-E 3060 HL II /  
INPUT



# Picture

Page 1 from 1

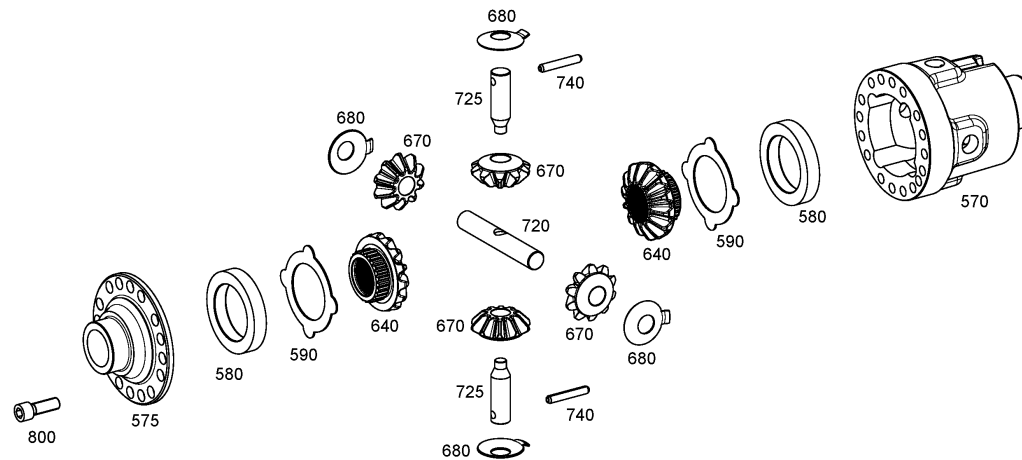
Material number: 4472.048.200

Picture: 448203000800

Material-assembly-group-no: 4482.030.008



MT-E 3060 HL II /  
DIFFERENTIAL



# Picture

Page 1 from 1

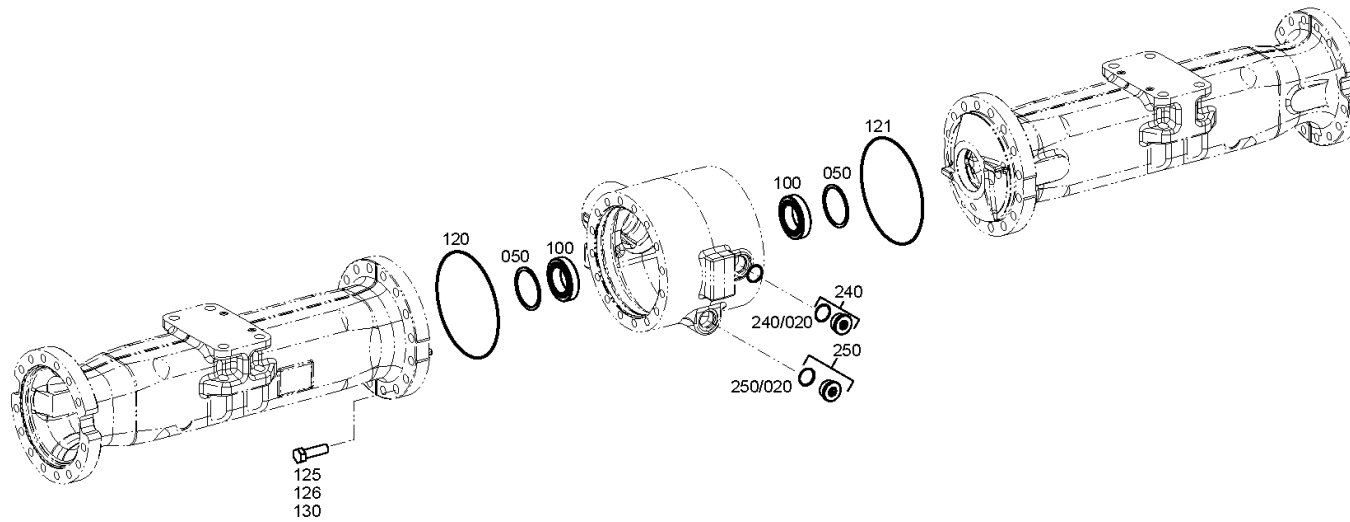
Material number: 4472.048.200

Picture: 447212601150

Material-assembly-group-no: 4472.126.011



MT-E 3060 HL II /  
AXLE CASING





# Picture

Page 1 from 1

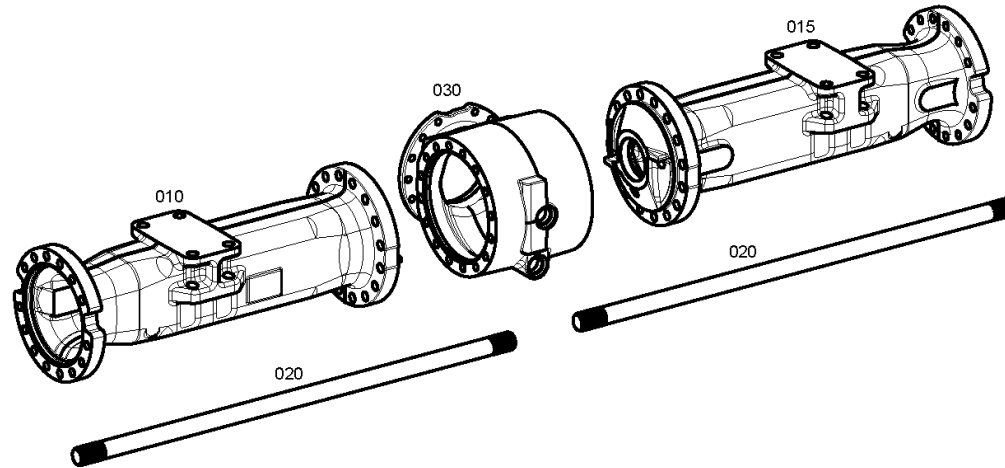
Material number: 4472.048.200

Picture: 447212643500

Material-assembly-group-no: 4472.126.435



MT-E 3060 HL II /  
AXLE CASING



# Picture

Page 1 from 1

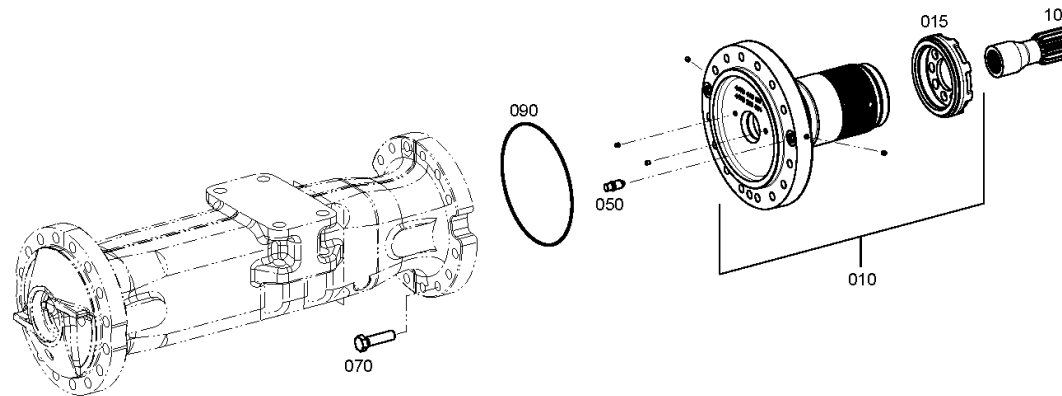
Material number: 4472.048.200

Picture: 447212900900

Material-assembly-group-no: 4472.129.009



MT-E 3060 HL II /  
HUB CARRIER



# Picture

Page 1 from 1

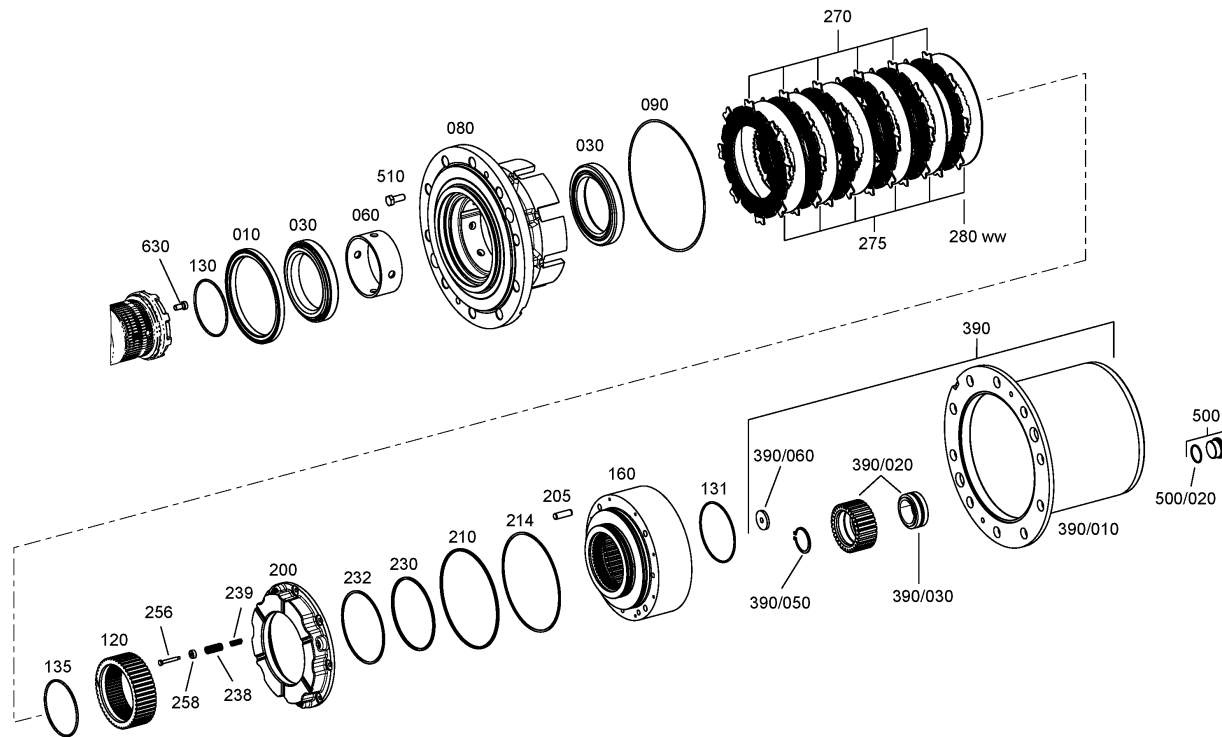
Material number: 4472.048.200

Picture: 447213303700

Material-assembly-group-no: 4472.133.037



MT-E 3060 HL II /  
OUTPUT



# Picture

Page 1 from 1

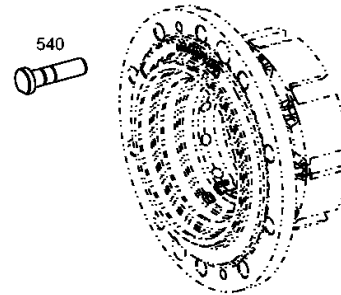
Material number: 4472.048.200

Picture: 447213340700

Material-assembly-group-no: 4472.133.407



MT-E 3060 HL II /  
OUTPUT



# Picture

Page 1 from 1

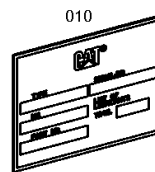
Material number: 4472.048.200

Picture: 414313901000

Material-assembly-group-no: 4143.139.010



MT-E 3060 HL II /  
TYPE PLATE



# Picture

Page 1 from 1

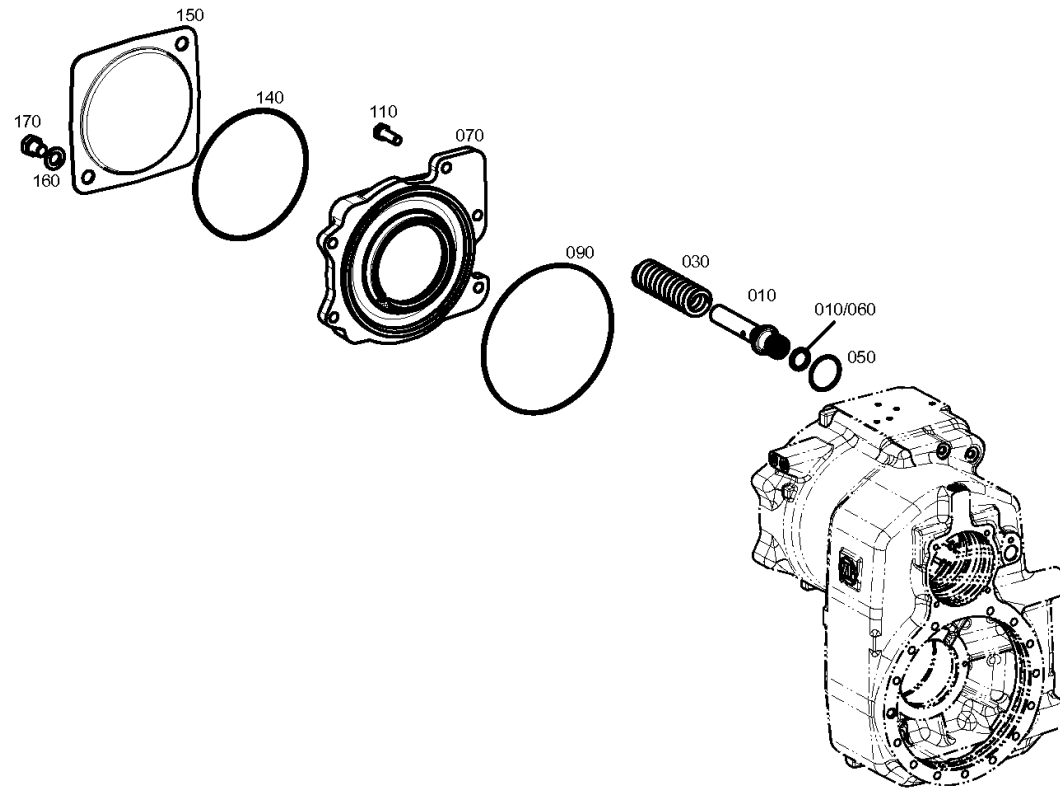
Material number: 4143.020.123

Picture: 414312504400

Material-assembly-group-no: 4143.125.044



MT-E 3060 HL II /  
INPUT HOUSING



# Picture

Page 1 from 1

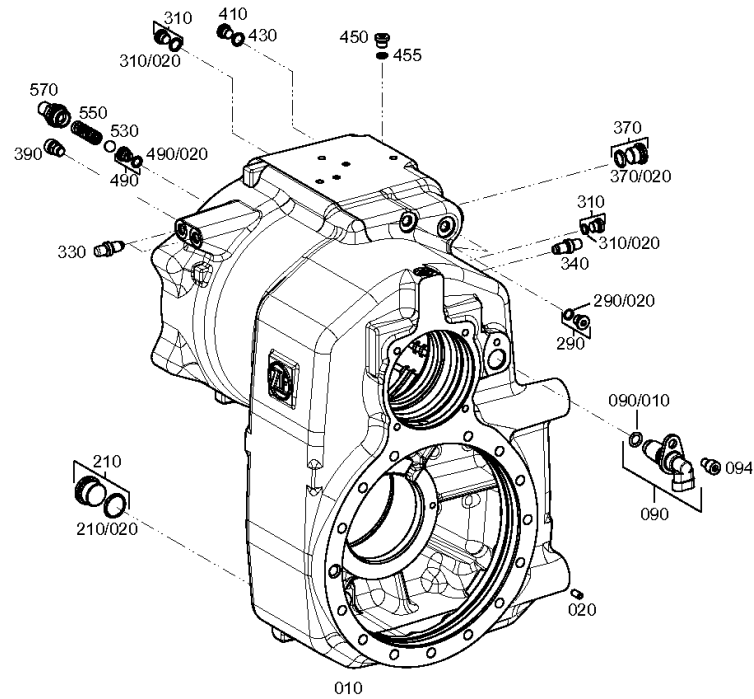
Material number: 4143.020.123

Picture: 414310104420

Material-assembly-group-no: 4143.101.044



MT-E 3060 HL II /  
HOUSING



# Picture

Page 1 from 1

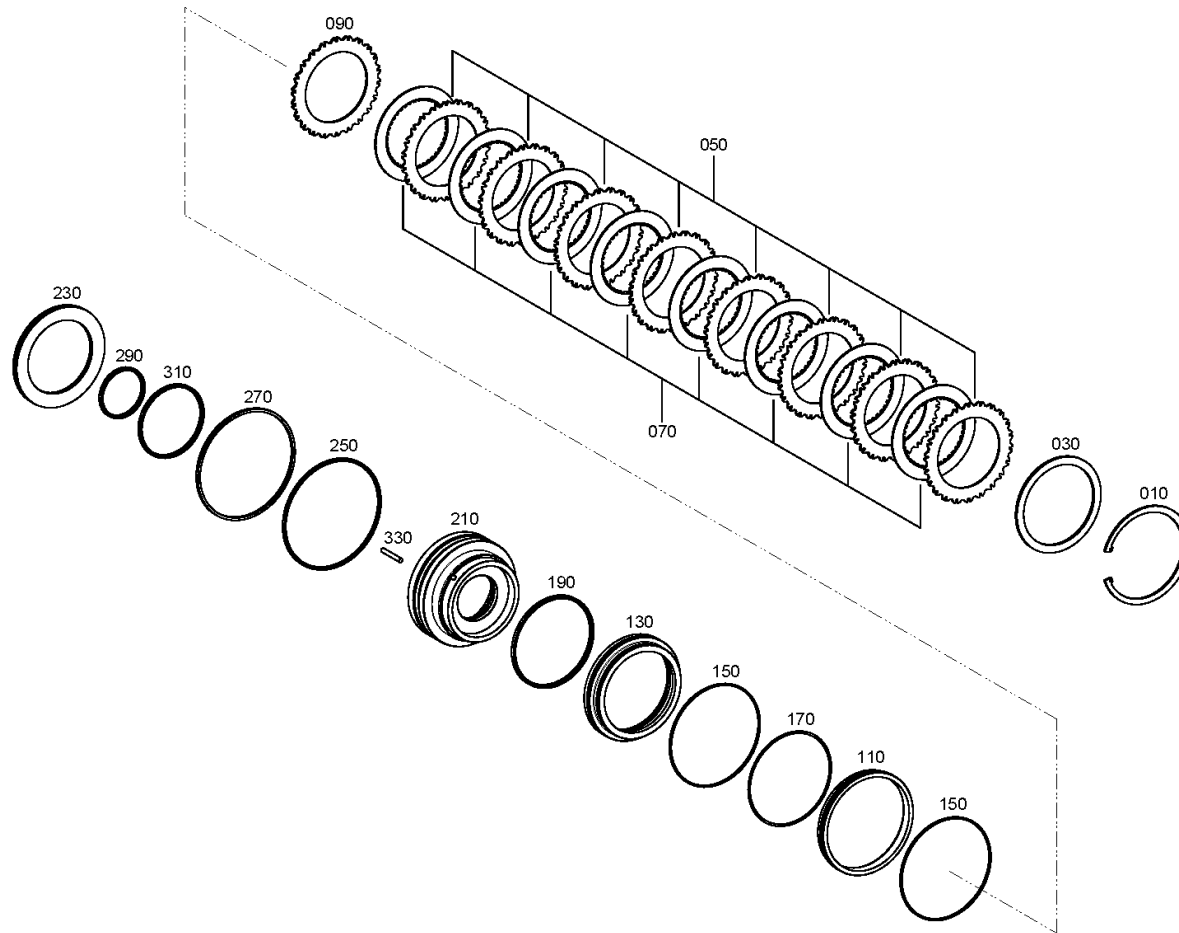
Material number: 4143.020.123

Picture: 414315101850\_

Material-assembly-group-no: 4143.151.018



MT-E 3060 HL II /  
MULTIDISK BRAKE





# Picture

Page 1 from 1

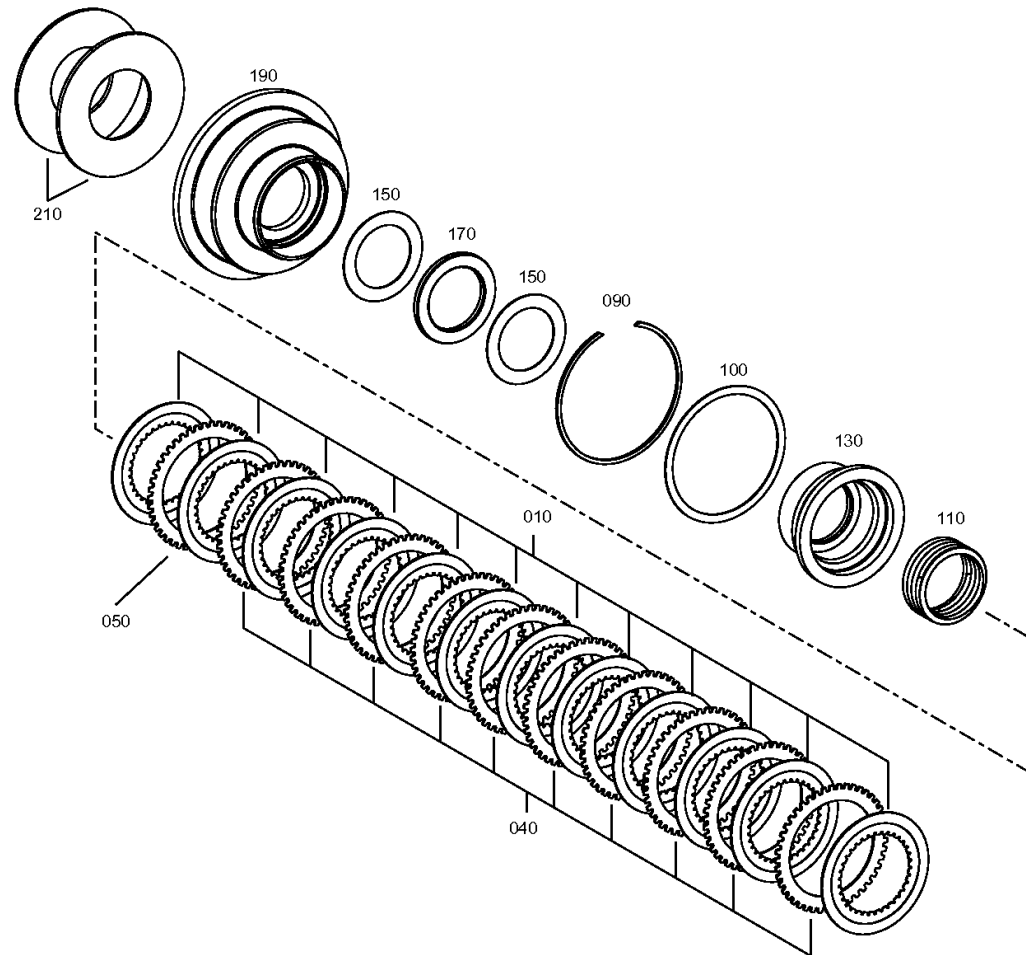
Material number: 4143.020.123

Picture: 414315201330

Material-assembly-group-no: 4143.152.013



MT-E 3060 HL II /  
COUPLING



# Picture

Page 1 from 1

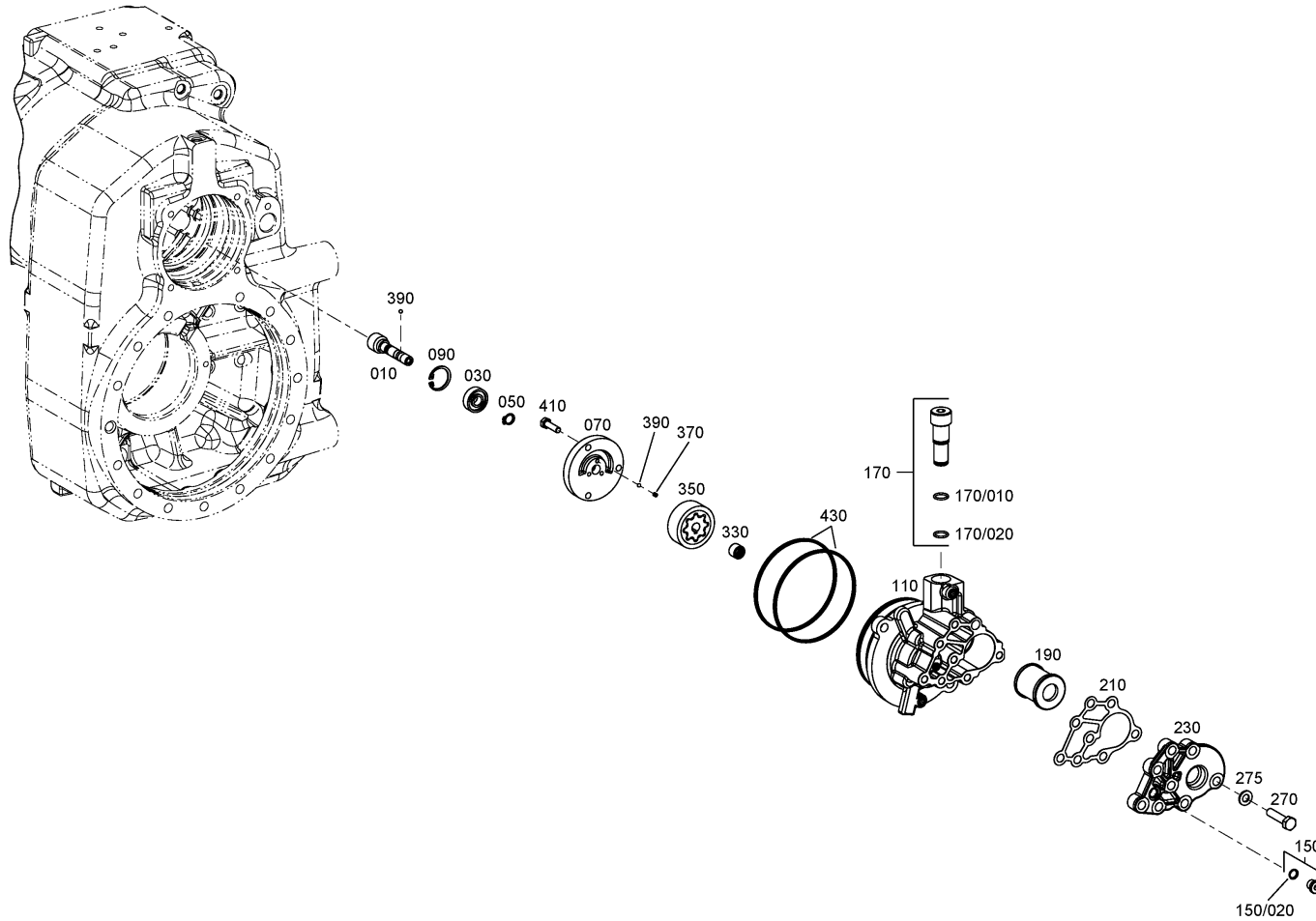
Material number: 4143.020.123

Picture: 414311000130

Material-assembly-group-no: 4143.110.001



MT-E 3060 HL II /  
LUBE OIL PUMP



# Picture

Page 1 from 1

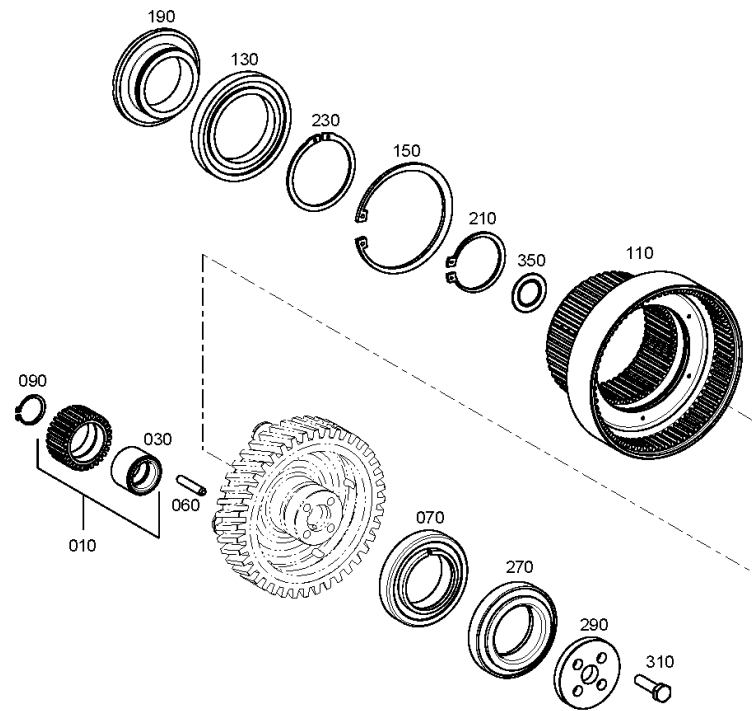
Material number: 4143.020.123

Picture: 414311501730

Material-assembly-group-no: 4143.115.017



MT-E 3060 HL II /  
PLANETARY DRIVE



# Picture

Page 1 from 1

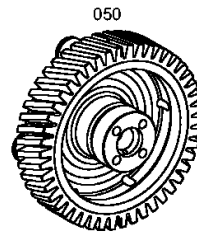
Material number: 4143.020.123

Picture: 414311540000

Material-assembly-group-no: 4143.115.400



MT-E 3060 HL II /  
PLANETARY DRIVE



# Picture

Page 1 from 1

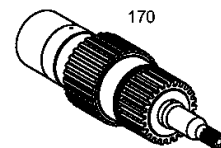
Material number: 4143.020.123

Picture: 414311540130

Material-assembly-group-no: 4143.115.401



MT-E 3060 HL II /  
PLANETARY DRIVE



# Picture

Page 1 from 2

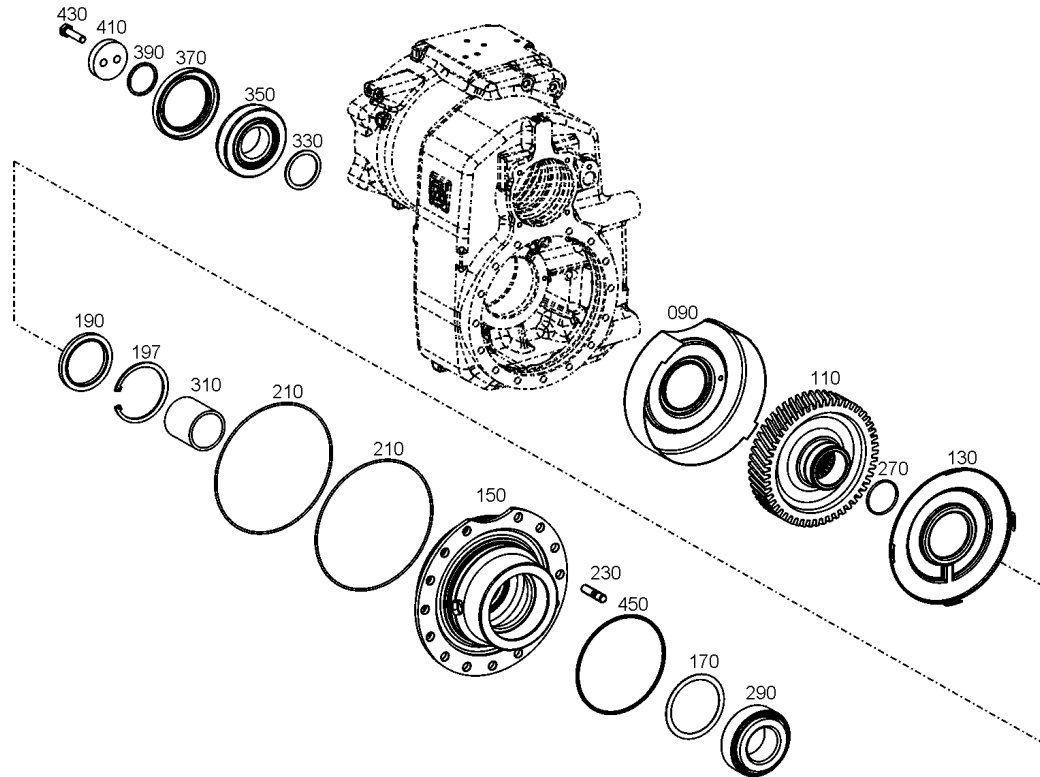
Material number: 4143.020.123

Picture: 414310302330

Material-assembly-group-no: 4143.103.032



MT-E 3060 HL II /  
OUTPUT



# Picture

Page 2 from 2

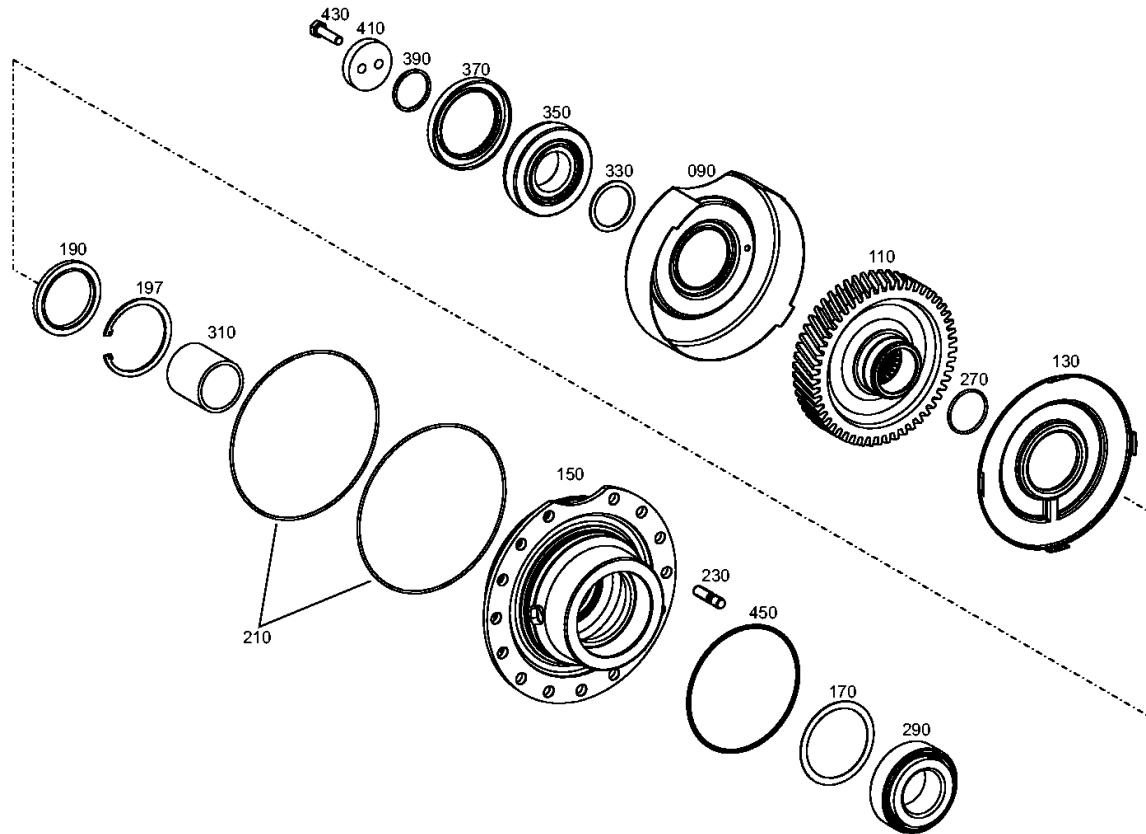
Material number: 4143.020.123

Picture: 414310303200

Material-assembly-group-no: 4143.103.032



MT-E 3060 HL II /  
OUTPUT



# Picture

Page 1 from 1

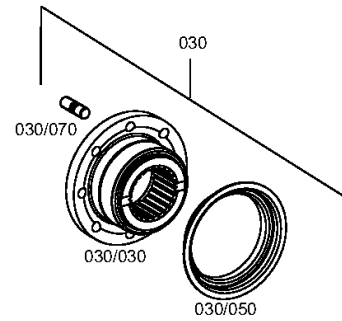
Material number: 4143.020.123

Picture: 414310342050

Material-assembly-group-no: 4143.103.420



MT-E 3060 HL II /  
OUTPUT





# Picture

Page 1 from 1

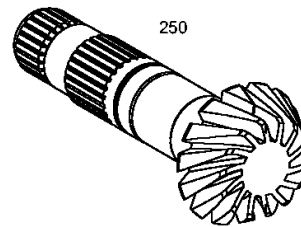
Material number: 4143.020.123

Picture: 414310342130

Material-assembly-group-no: 4143.103.421



MT-E 3060 HL II /  
OUTPUT



# Picture

Page 1 from 1

Material number: 4143.020.123

Picture: 414313901000

Material-assembly-group-no: 4143.139.010



MT-E 3060 HL II /  
TYPE PLATE

