



Spare Parts Catalog

MT-E 3060 II

Material number: 4472.048.206

Current date: 19.08.2013

ZF Friedrichshafen AG
Hauptverwaltung
80038 Friedrichshafen
Deutschland

Telefon: +49 7541 77-0

Telefax: +49 7541 77-908000

www.zf.com

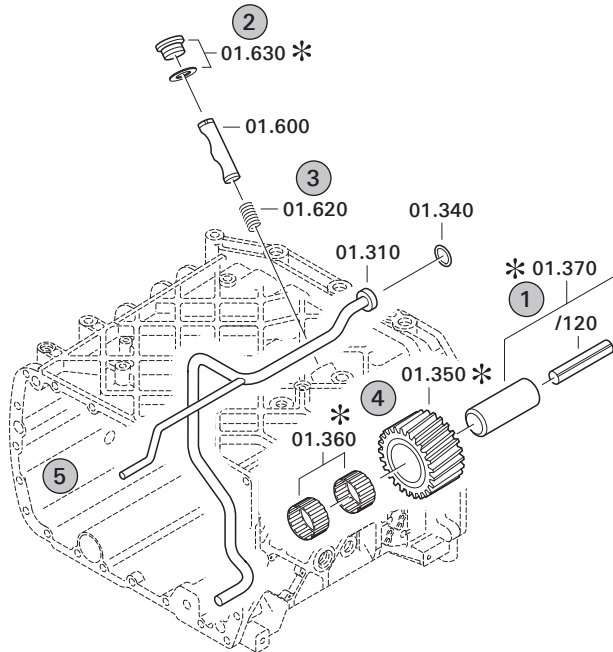
zuständiges Werk:
Passau

Notes relating to the spare parts catalog

Setup of the spare parts catalog

- Cover sheet
- Technical Cover (only in SDM print)
- Overview of figures
- Figure
- Associated parts list
- Next figure
- Associated parts list
- ...

Figure and parts list



Overview of figures

Bildtafel Figure	Sachnummer Product number	Benennung (Description)	Technische Info Technical info	Description (Benennung)	Menge Quantity	Einheit Unit
068.08.17	1316.170.001	AUSLEGER	WL	SHIFT TURRET	1	Stk
068.08.06	1316.170.031	DECKEL	WL*H-H *VM	COVER	1	Stk
068.08.14	1316.170.808	DECKEL	WL*AUSL+GEH*H-H*HF160N	COVER	1	Stk
08	1316.170.441	ANSCHLUSSTEILE	WL*NG-VORB*RG-SCHL*168N *BAJONETT	CONNECTING PARTS	1	Stk

The "gap" indicates that there is no separate graphics panel (poster) for this assembly
The parts of this assembly are shown with the same mid-section number on the figure

1 Positions and subpositions

Pos.	Sachnummer Product number	Benennung (Description)	Technische Info Technical info	Description (Benennung)	Menge Quantity	Einheit Unit
0370	1315.201.054	RUECKLAUFBOLZEN	KPL.16S151*SG*L= 79	REV.IDLER SHAFT	1	Stk
/0120	0631.329.293	SPANNSTIFT		SLOT. PIN	1	Stk

Positions marked with "/" are the individual items of a completion
For example: Position 0370 contains a centering pin with the position /0120

2 Combinations with standardized parts

Pos.	Sachnummer Product number	Benennung (Description)	Technische Info Technical info	Description (Benennung)	Menge Quantity	Einheit Unit
0630		VERSCHL.SCHR.		SCREW PLUG	1	Stk
	0636.302.067	VERSCHL.SCHR.		SCREW PLUG	1	Stk
	0634.801.249	DICHTRING	A 26 X 31	SEALING RING	1	Stk

The parts list shows the components included in the combination of standardized parts

3 Depiction of position/item number on the figure and in the parts list

01.620 - on the figure 01 relates to the assembly in which the position is included. Due to program-related reasons, it is shown on the figure.

0620 - in the parts list

Pos.	Sachnummer Product number	Benennung (Description)	Technische Info Technical info	Description (Benennung)	Menge Quantity	Einheit Unit
0620	0732.040.736	DRUCKFEDER		COMPRESSION SPRING	1	Stk

4 *-Positions

Positions marked with an * are optional i.e. inclusion in the parts list is not mandatory.
The following note is shown on the figure

je nach Stücklistenausführung
depending on spec. number
*
suivant la nomenclature
secondo la distinta base

5 Parts, dotted display

Parts with dotted display on the figure are only used for orientation of other parts

Assembly group overview

Page 1 from 1



MT-E 3060 II /

Material number: 4472.048.206

Graphics	Pos.	Material number	Name	Quantity	Amend. no.	Techn. Info.
447212502250	10	4472.125.022	INPUT	1		
447212540550	20	4472.125.405	INPUT	1		
448203000100	30	4482.030.001	DIFFERENTIAL	1		
447212601150	70	4472.126.011	AXLE CASING	1		
447212643400	80	4472.126.434	AXLE CASING	1		
447212900900	120	4472.129.009	HUB CARRIER	1		
447213303700	130	4472.133.037	OUTPUT	1		
447213340700	140	4472.133.407	OUTPUT	1		
414313900300	900	4143.139.003	TYPE PLATE	1		

Plant

Page 1 from 1

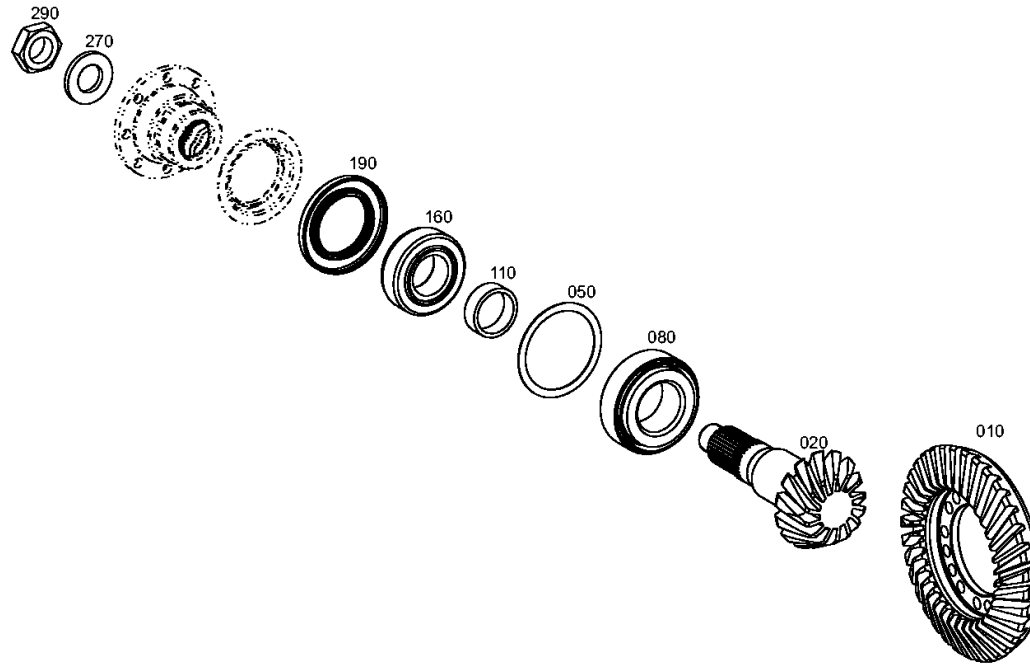
Material number: 4472.048.206

Plant: 447212502250

Material-assembly-group-no: 4472.125.022



MT-E 3060 II /
INPUT



Plant

Page 1 from 1

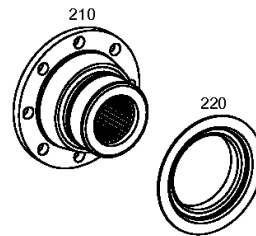
Material number: 4472.048.206

Plant: 447212540550

Material-assembly-group-no: 4472.125.405



MT-E 3060 II /
INPUT



Plant

Page 1 from 1

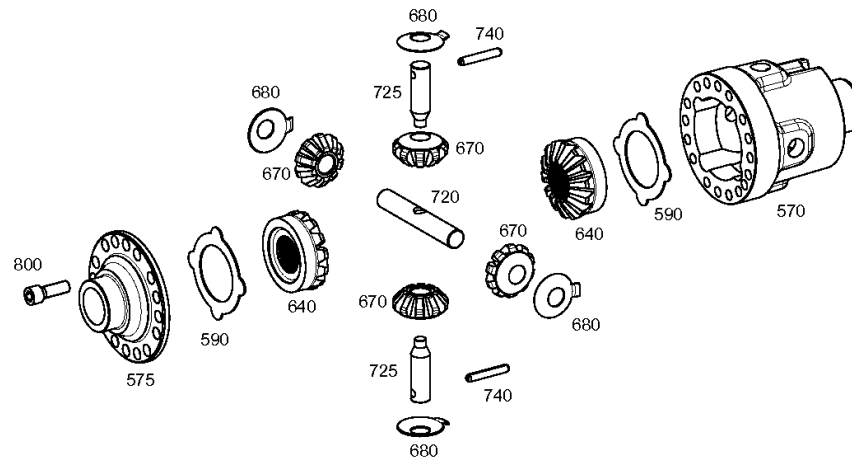
Material number: 4472.048.206

Plant: 448203000100

Material-assembly-group-no: 4482.030.001



MT-E 3060 II /
DIFFERENTIAL



Plant

Page 1 from 1

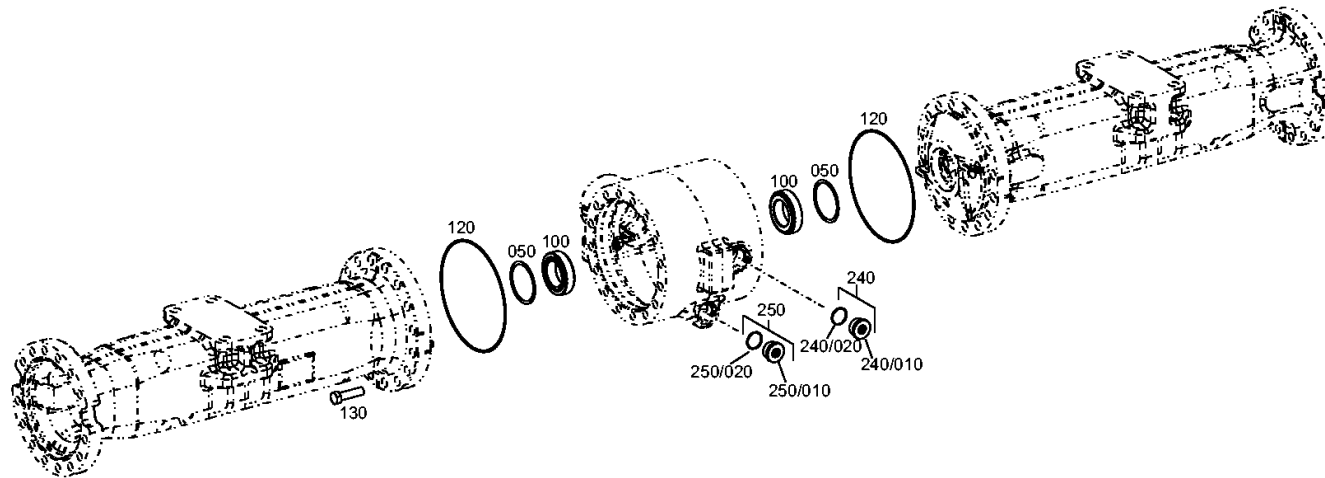
Material number: 4472.048.206

Plant: 447212601150

Material-assembly-group-no: 4472.126.011



MT-E 3060 II /
AXLE CASING



Plant

Page 1 from 1

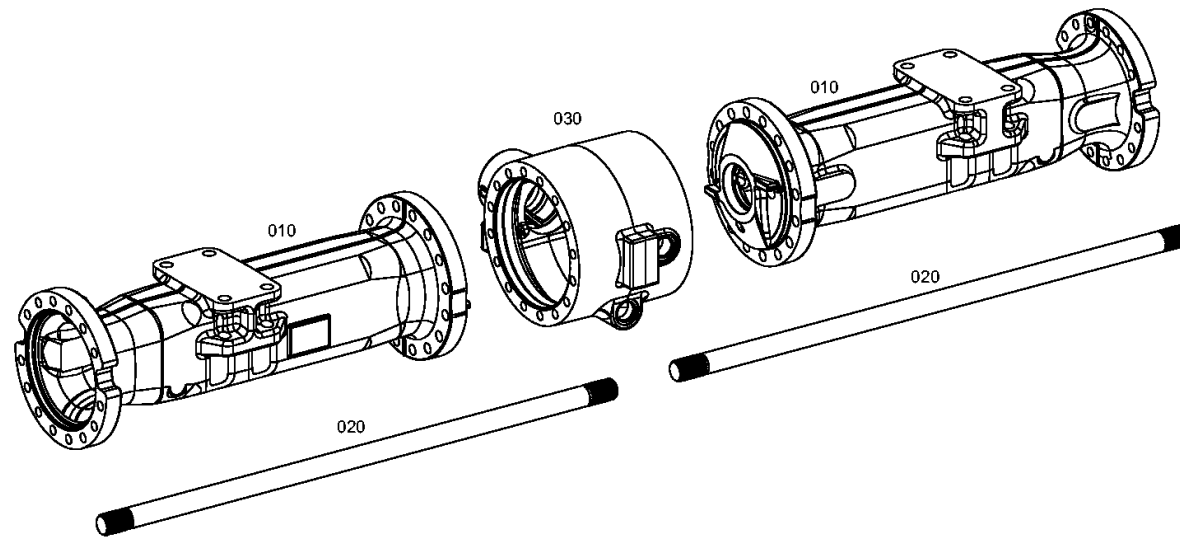
Material number: 4472.048.206

Plant: 447212643400

Material-assembly-group-no: 4472.126.434



MT-E 3060 II /
AXLE CASING



Plant

Page 1 from 1

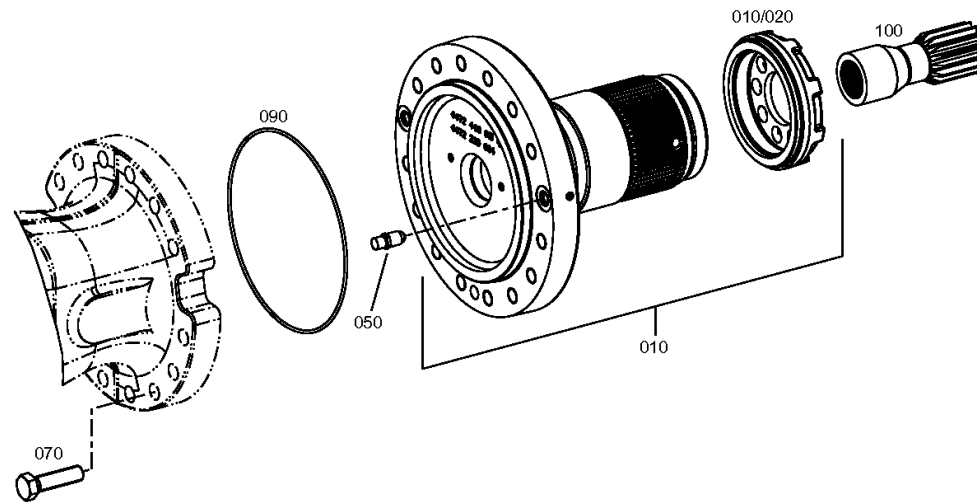
Material number: 4472.048.206

Plant: 447212900900

Material-assembly-group-no: 4472.129.009



MT-E 3060 II /
HUB CARRIER



Plant

Page 1 from 1

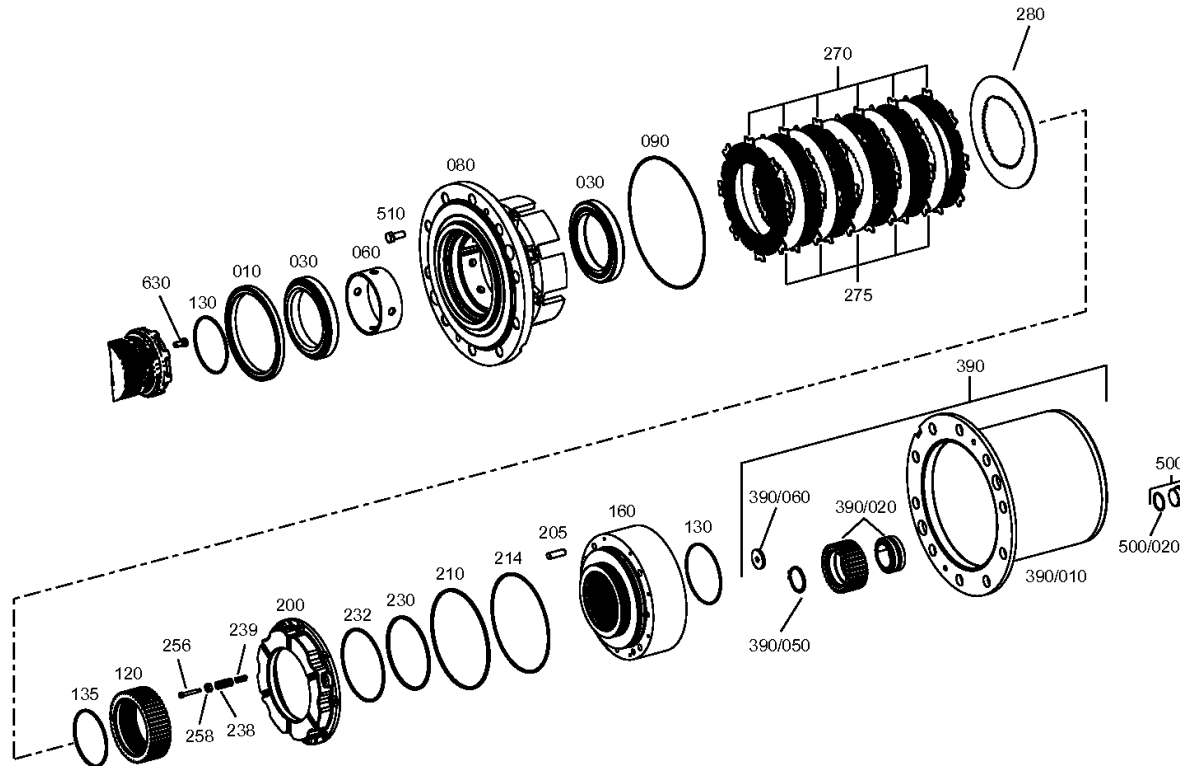
Material number: 4472.048.206

Plant: 447213303700

Material-assembly-group-no: 4472.133.037



MT-E 3060 II /
OUTPUT



Plant

Page 1 from 1

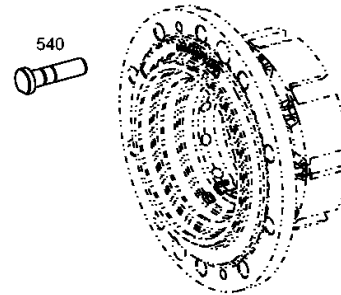
Material number: 4472.048.206

Plant: 447213340700

Material-assembly-group-no: 4472.133.407



MT-E 3060 II /
OUTPUT



Plant

Page 1 from 1

Material number: 4472.048.206

Plant: 414313900300

Material-assembly-group-no: 4143.139.003



MT-E 3060 II /
TYPE PLATE

