



# Spare Parts Catalog

MS-E 3060

Material number: 4472.098.019

Current date: 26.03.2019

ZF Friedrichshafen AG  
Hauptverwaltung  
80038 Friedrichshafen  
Deutschland

Telefon: +49 7541 77-0

Telefax: +49 7541 77-908000

[www.zf.com](http://www.zf.com)

zuständiges Werk:  
Passau

# Notes relating to the spare parts catalog

## Setup of the spare parts catalog

- Cover sheet
- Technical Cover (only in SDM print)
- Overview of figures
- Figure
- Associated parts list
- Next figure
- Associated parts list
- ...

## Figure and parts list



## Overview of figures

Bildtafel Figure	Sachnummer Product number	Benennung (Description)	Technische Info Technical info	Description (Benennung)	Menge Quantity	Einheit Unit
068.08.17	1316.170.001	AUSLEGER	WL	SHIFT TURRET	1	Stk
068.08.06	1316.170.031	DECKEL	WL*H-H *VM	COVER	1	Stk
068.08.14	1316.170.808	DECKEL	WL*AUSL+GEH*H-H*HF160N	COVER	1	Stk
08	1316.170.441	ANSCHLUSSTEILE	WL*NG-VORB*RG-SCHL*168N *BAJONETT	CONNECTING PARTS	1	Stk

The "gap" indicates that there is no separate graphics panel (poster) for this assembly  
The parts of this assembly are shown with the same mid-section number on the figure

### 1 Positions and subpositions

Pos.	Sachnummer Product number	Benennung (Description)	Technische Info Technical info	Description (Benennung)	Menge Quantity	Einheit Unit
0370	1315.201.054	RUECKLAUFBOLZEN	KPL.16S151*SG*L= 79	REV.IDLER SHAFT	1	Stk
/0120	0631.329.293	SPANNSTIFT		SLOT. PIN	1	Stk

Positions marked with "/" are the individual items of a completion  
For example: Position 0370 contains a centering pin with the position /0120

### 2 Combinations with standardized parts

Pos.	Sachnummer Product number	Benennung (Description)	Technische Info Technical info	Description (Benennung)	Menge Quantity	Einheit Unit
0630		VERSCHL.SCHR.		SCREW PLUG	1	Stk
	0636.302.067	VERSCHL.SCHR.		SCREW PLUG	1	Stk
	0634.801.249	DICHTRING	A 26 X 31	SEALING RING	1	Stk

The parts list shows the components included in the combination of standardized parts

### 3 Depiction of position/item number on the figure and in the parts list

01.620 - on the figure      01 relates to the assembly in which the position is included. Due to program-related reasons, it is shown on the figure.

0620 - in the parts list

Pos.	Sachnummer Product number	Benennung (Description)	Technische Info Technical info	Description (Benennung)	Menge Quantity	Einheit Unit
0620	0732.040.736	DRUCKFEDER		COMPRESSION SPRING	1	Stk

### 4 \*-Positions

Positions marked with an \* are optional i.e. inclusion in the parts list is not mandatory.  
The following note is shown on the figure

je nach Stücklistenausführung  
depending on spec. number  
\*  
suivant la nomenclature  
secondo la distinta base

### 5 Parts, dotted display

Parts with dotted display on the figure are only used for orientation of other parts

# Technical Cover

Page 1 from 2

Material number: 4472.098.019



MS-E 3060 /

Pos.	Information	Amendment number
	KUNDE:DOOSAN	
	IDENT-NO.: WITHOUT	
	APPROVAL: .....	
	QUESTIONNAIRE:	
	PROJECT-NO.:	
	VEHICLE DATA:	
	MOBILBAGGER T18-W	
	MOTOR: HYDROMATIK A6VM 160	
	GETRIEBE: 2 HL-290	
	DUAL TIRES: DOUBLE	
	10.00 - 20	
	R.DYN. 0,506 M	
	RIM PITCH CIRCLE DIA: 335 MM	
	ENDGESCHWINDIGK.:9,0 / 35,0 KM/H	
	PRODUCT DESCRIPTION:	
	MOUNTING POSITION:FRONT AXLE	
	RATIO TOTAL: I=16,00	
	PLANETENTRIEB: I= 6,40 P3-245-45	
	KEGELTRIEB: I= 2,5 Z=35/14	
	BEFESTIGUNG: FEDERSPUR L=805/1035/1265	
	FLANSCHMASS: L=1920	
	BRAKE:	
	LAM.BR.: HYDR: 155X235	
	LINIG DISC: 6 LUMP	
	WORKING CYLINDER: INTEGRATED	
	DIFF.CARRIER:	
	TYP/GROESSE: AE 500 KV	
	SENS OF ROTATION:CLOCKWISE	
	RING GEAR: SPIRAL DIRECTION LEFT	
	POSITION OF RING GEAR: LEFT	
	FLANGE CONN: AD=120 *LZ=8 * D=10,1	
	DIFFERENTIAL:	
	TYP/GROESSE: D 500	

# Technical Cover

Page 2 from 2

Material number: 4472.098.019



MS-E 3060 /

Pos.	Information	Amendment number
	BEVEL SIDE GEAR SPLINE: N 35X1,25	
	DRAWINGS:	
	SCHNITT: 4472 098 002( )	
	EINBAU: 4472 698 006(0)	
	PRUEFANWEISUNG: 4472 760 021	
	ASSEMBLY INSTRUCTION:	
	LENKEINSCHLAG: 35 GRAD -1 GRAD	
	VORSPUR: +/- 1MM BEI 330MM MESSSCHENKELLAENGE	
	RADBOLZEN MIT SCHUTZHUELSE VOR FARBE SCHUETZEN	
	KOLBENHUB 0,7 - 1,3 MM	
	AUXILIARY UNIT	
	OIL CAPACITY:	
	AXLE: CA. 9,50L	
	PLANETENTRIEB/JE:CA. 2,50L	
	GESAMT: CA. 14,50L	
	OIL FILLING: YES	
	OIL GRADE:SPECIFICATION TE ML 05 / AXLE	
	BRAKE CONTROL: ATF-OIL/MOTOROIL 10 W	
	WEIGHT-TOTAL: ...KG	
	COLOUR: 5 BLACK RAL 9005	
	MISCELLANEOUS/REMARKS:	
	SWINGING AXLE SUSPENSION	

# Assembly group overview

Page 1 from 1

Material number: 4472.098.019



MS-E 3060 /

Graphics	Pos.	Material number	Name	Quantity	Amend. no.	Techn. Info.
447212500600	10	4472.125.006	INPUT	1		
447212540000	20	4472.125.400	INPUT	1		
446117304750	30	4461.173.047	DIFFERENTIAL	1		
447212600200	70	4472.126.002	AXLE CASING	1		
447212642600	80	4472.126.426	AXLE CASING	1		
447212800600	90	4472.128.006	JOINT HOUSING	1		
447212840000	100	4472.128.400	JOINT HOUSING	1		
447213400200	150	4472.134.002	STEERING	1		
447213304000	130	4472.133.040	OUTPUT	1		
447213340100	140	4472.133.401	OUTPUT	1		
414313900100	900	4143.139.001	TYPE PLATE	1		
447229816000	KIT	4472.298.160	JOINT HOUSING	1		
447229816100	KIT	4472.298.161	JOINT HOUSING	1		
	KIT	4472.298.208	JOINT HOUSING	1		
	KIT	4472.298.209	JOINT HOUSING	1		
	KIT	4472.298.228	JOINT HOUSING	1		
	KIT	4472.298.229	JOINT HOUSING	1		

# Plant

Page 1 from 1

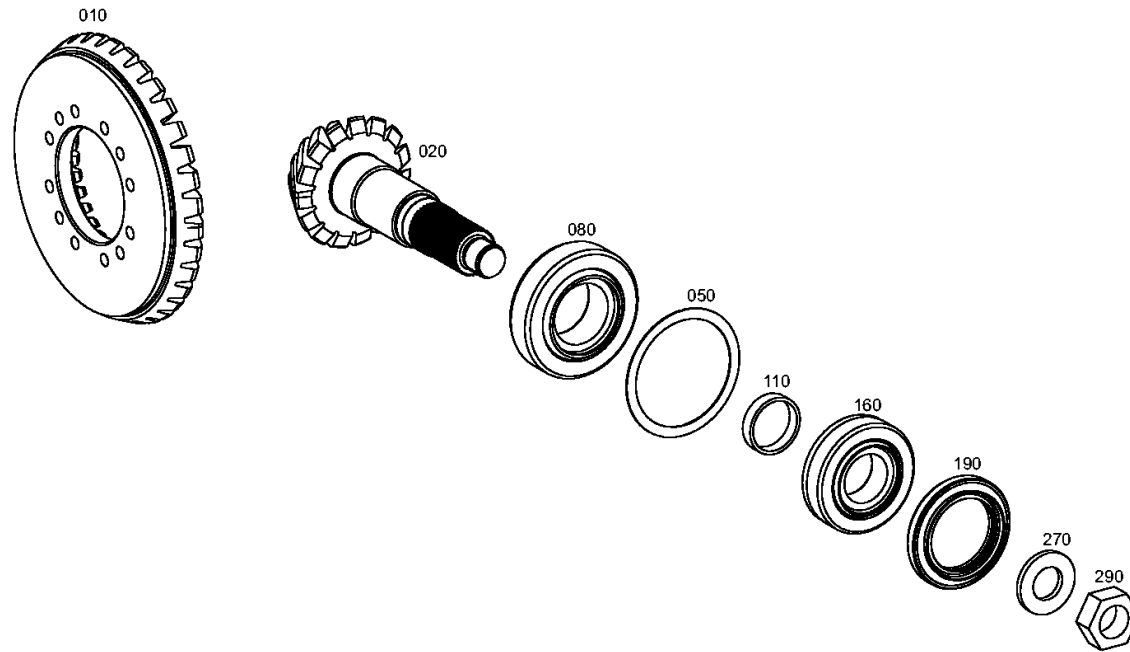
Material number: 4472.098.019

Plant: 447212500600

Material-assembly-group-no: 4472.125.006



MS-E 3060 /  
INPUT



# Plant

Page 1 from 1

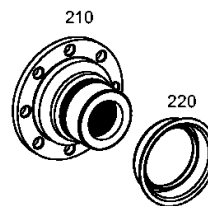
Material number: 4472.098.019

Plant: 447212540000

Material-assembly-group-no: 4472.125.400



MS-E 3060 /  
INPUT



# Plant

Page 1 from 1

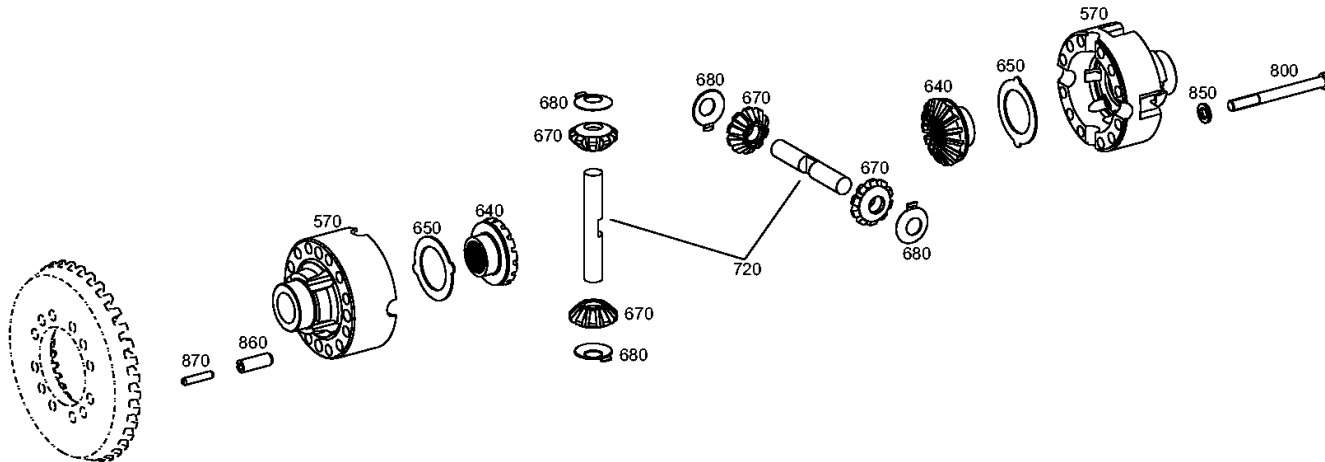
Material number: 4472.098.019

Plant: 446117304750

Material-assembly-group-no: 4461.173.047



MS-E 3060 /  
DIFFERENTIAL





# Plant

Page 1 from 1

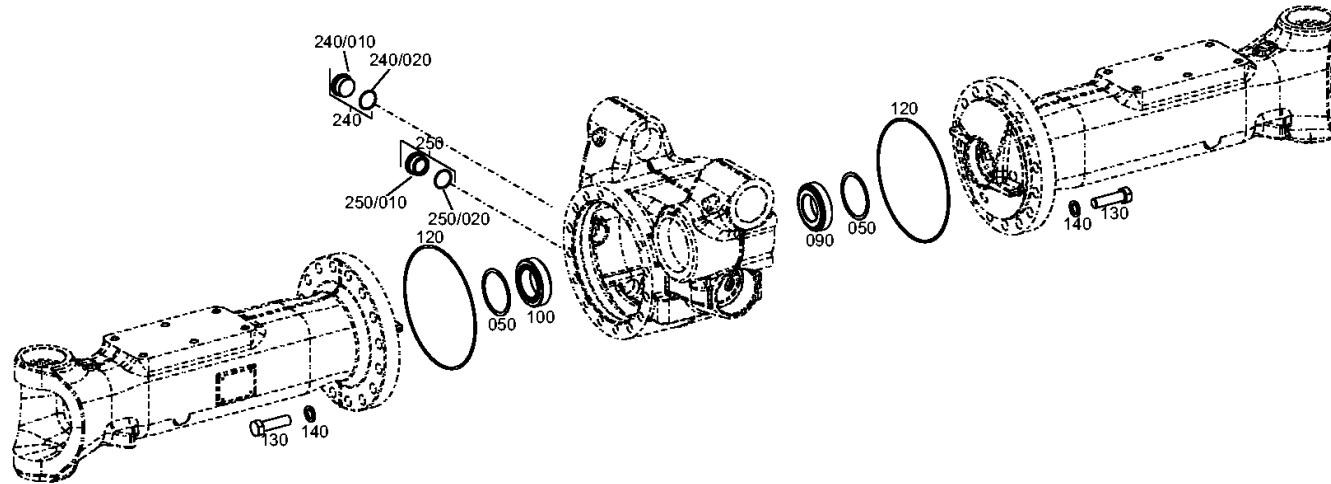
Material number: 4472.098.019

Plant: 447212600200

Material-assembly-group-no: 4472.126.002



MS-E 3060 /  
AXLE CASING



# Plant

Page 1 from 1

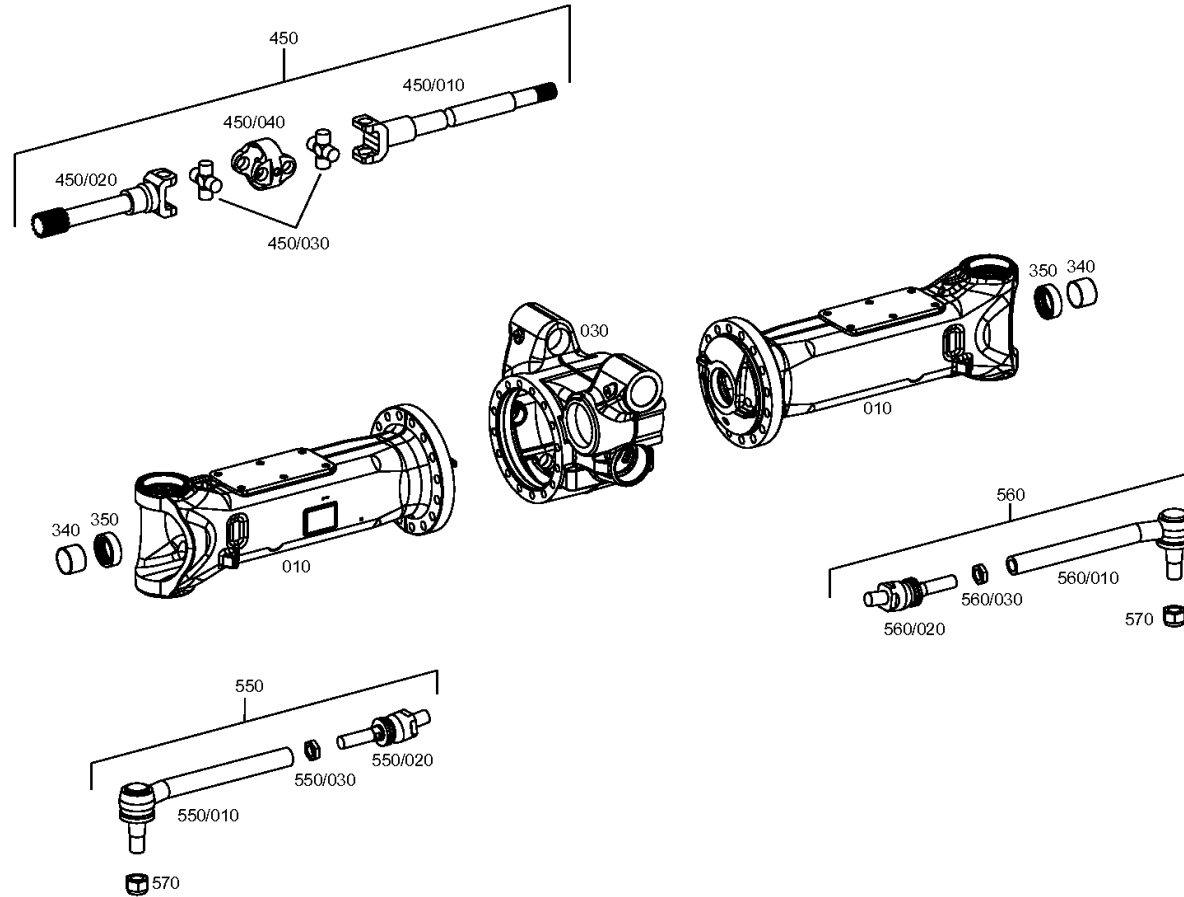
Material number: 4472.098.019

Plant: 447212642600

Material-assembly-group-no: 4472.126.426



MS-E 3060 /  
AXLE CASING



# Plant

Page 1 from 1

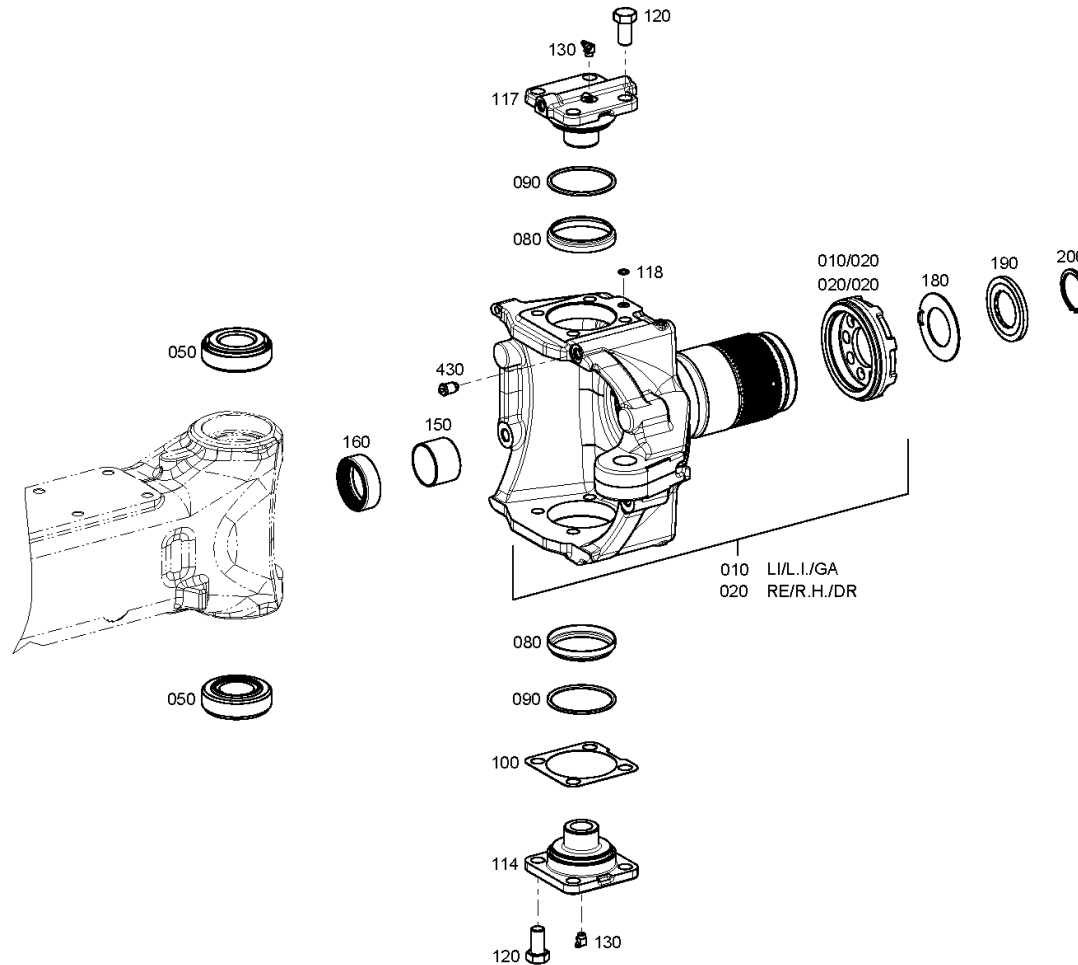
Material number: 4472.098.019

Plant: 447212800600

Material-assembly-group-no: 4472.128.006



MS-E 3060 /  
JOINT HOUSING



# Plant

Page 1 from 1

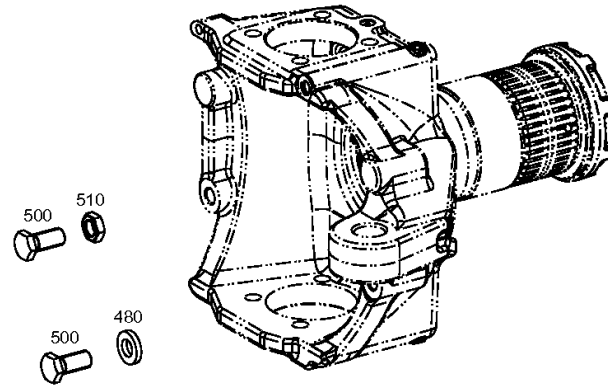
Material number: 4472.098.019

Plant: 447212840000

Material-assembly-group-no: 4472.128.400



MS-E 3060 /  
JOINT HOUSING



# Plant

Page 1 from 1

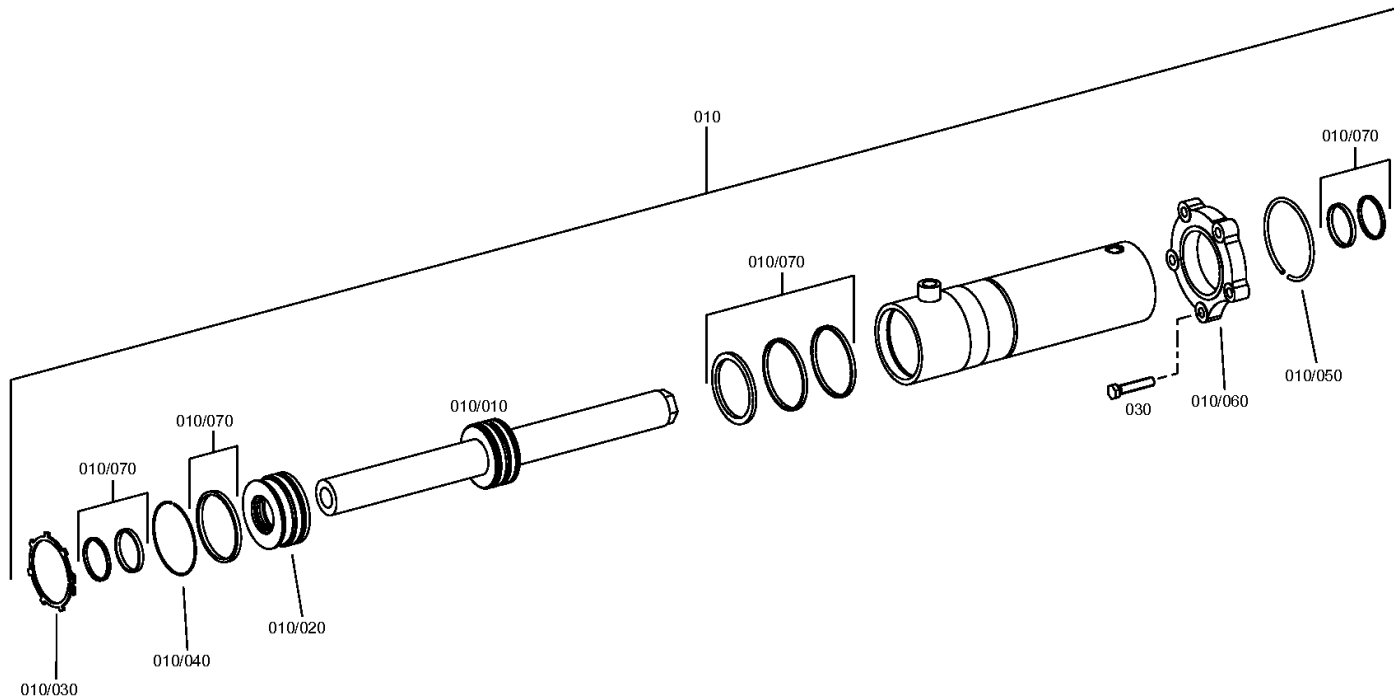
Material number: 4472.098.019

Plant: 447213400200

Material-assembly-group-no: 4472.134.002



MS-E 3060 /  
STEERING



# Plant

Page 1 from 1

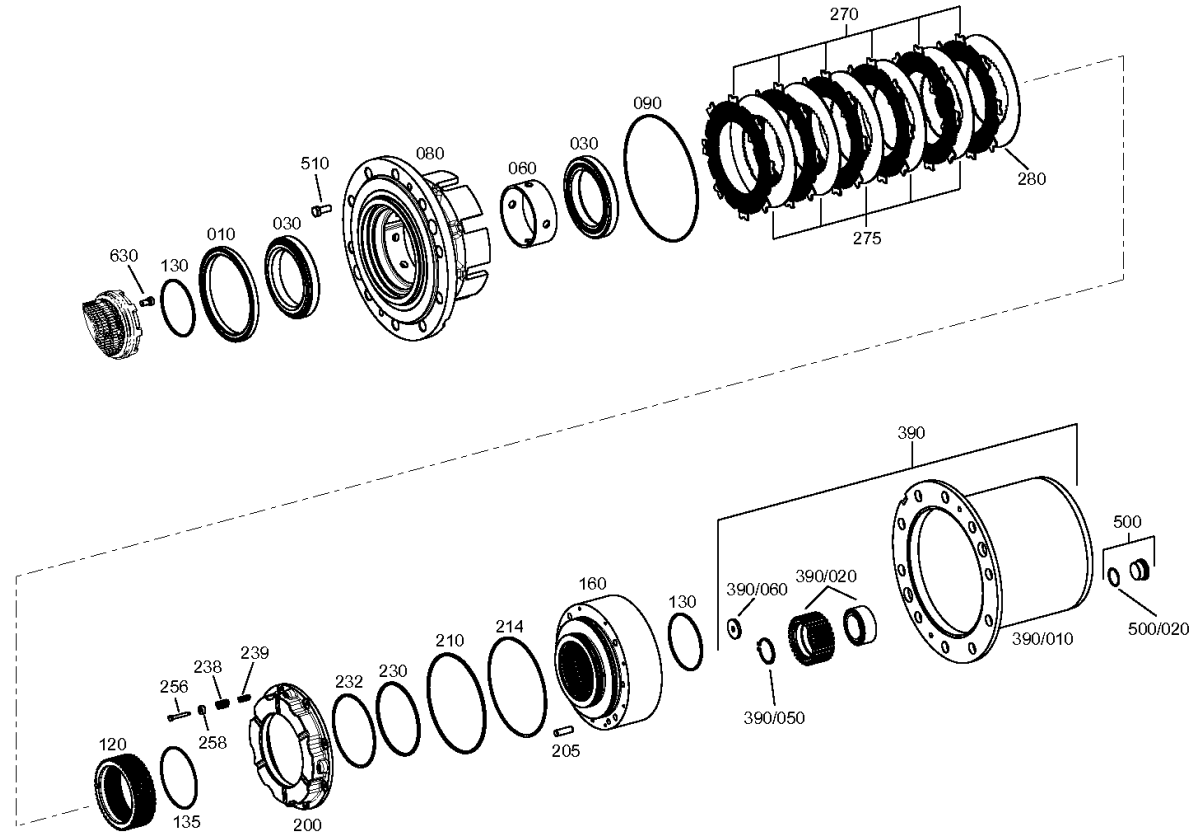
Material number: 4472.098.019

Plant: 447213304000

Material-assembly-group-no: 4472.133.040



MS-E 3060 /  
OUTPUT



# Plant

Page 1 from 1

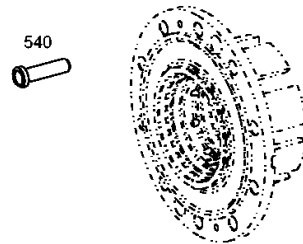
Material number: 4472.098.019

Plant: 447213340100

Material-assembly-group-no: 4472.133.401



MS-E 3060 /  
OUTPUT



# Plant

Page 1 from 1

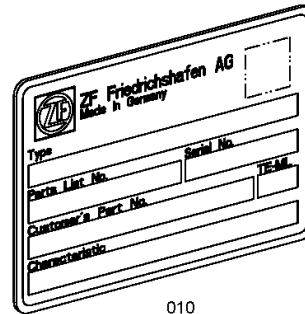
Material number: 4472.098.019

Plant: 414313900100

Material-assembly-group-no: 4143.139.001



MS-E 3060 /  
TYPE PLATE



010



# Plant

Page 1 from 1

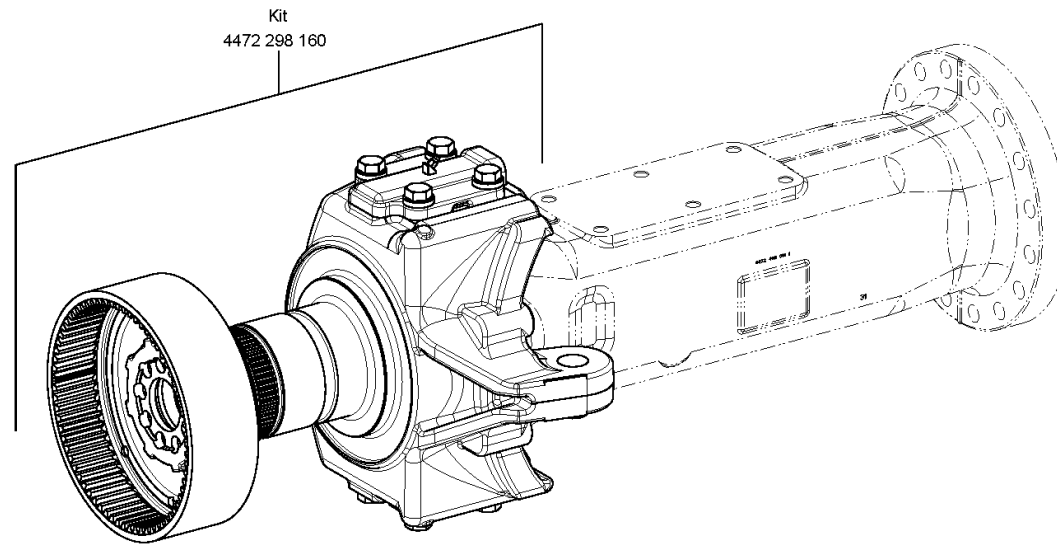
Material number: 4472.098.019

Plant: 447229816000

Material-assembly-group-no: 4472.298.160



MS-E 3060 /  
JOINT HOUSING



# Plant

Page 1 from 1

Material number: 4472.098.019

Plant: 447229816100

Material-assembly-group-no: 4472.298.161



MS-E 3060 /  
JOINT HOUSING

